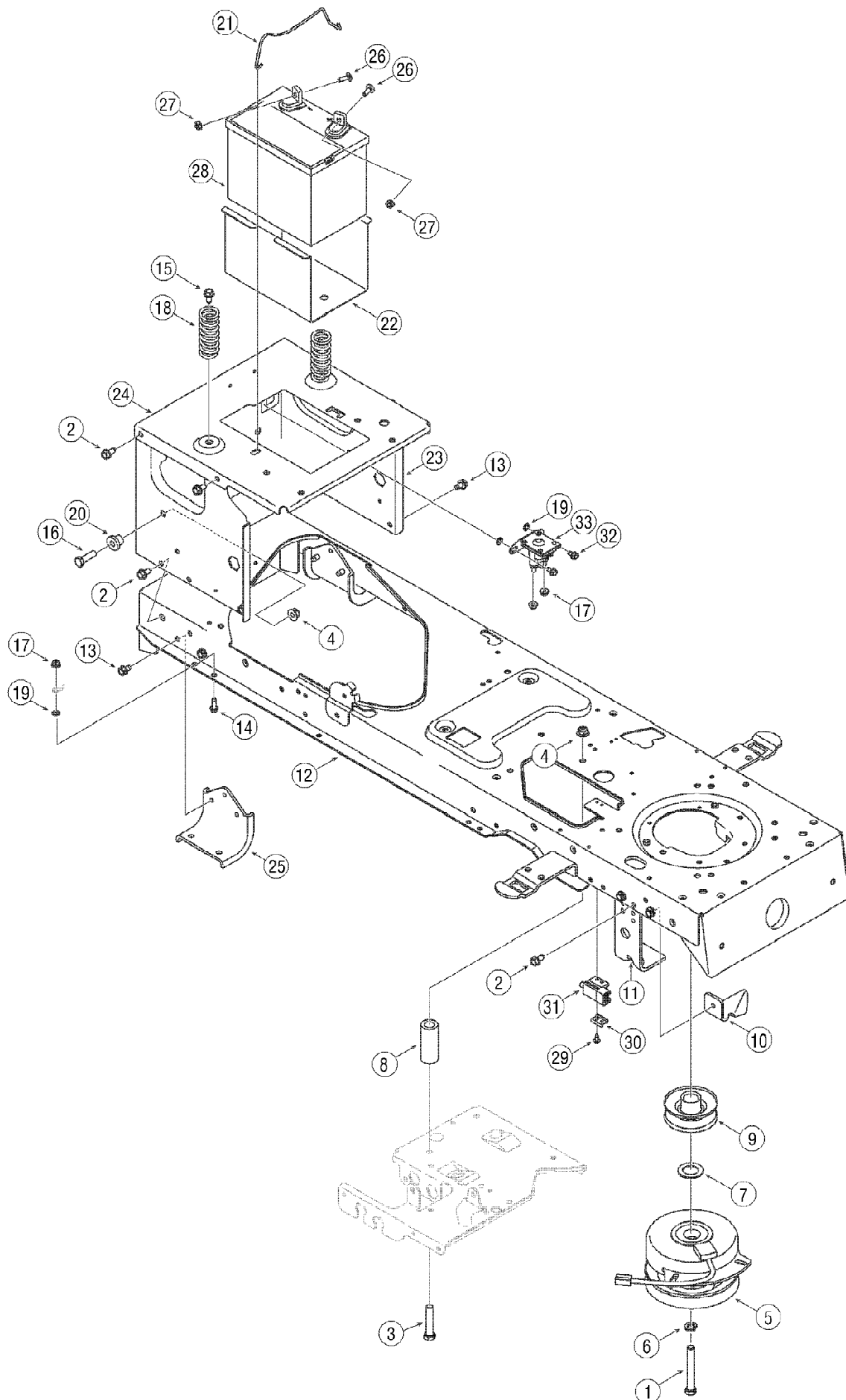


14AQ81TK766 Big Red GT54 (2006)  
Battery and Frame

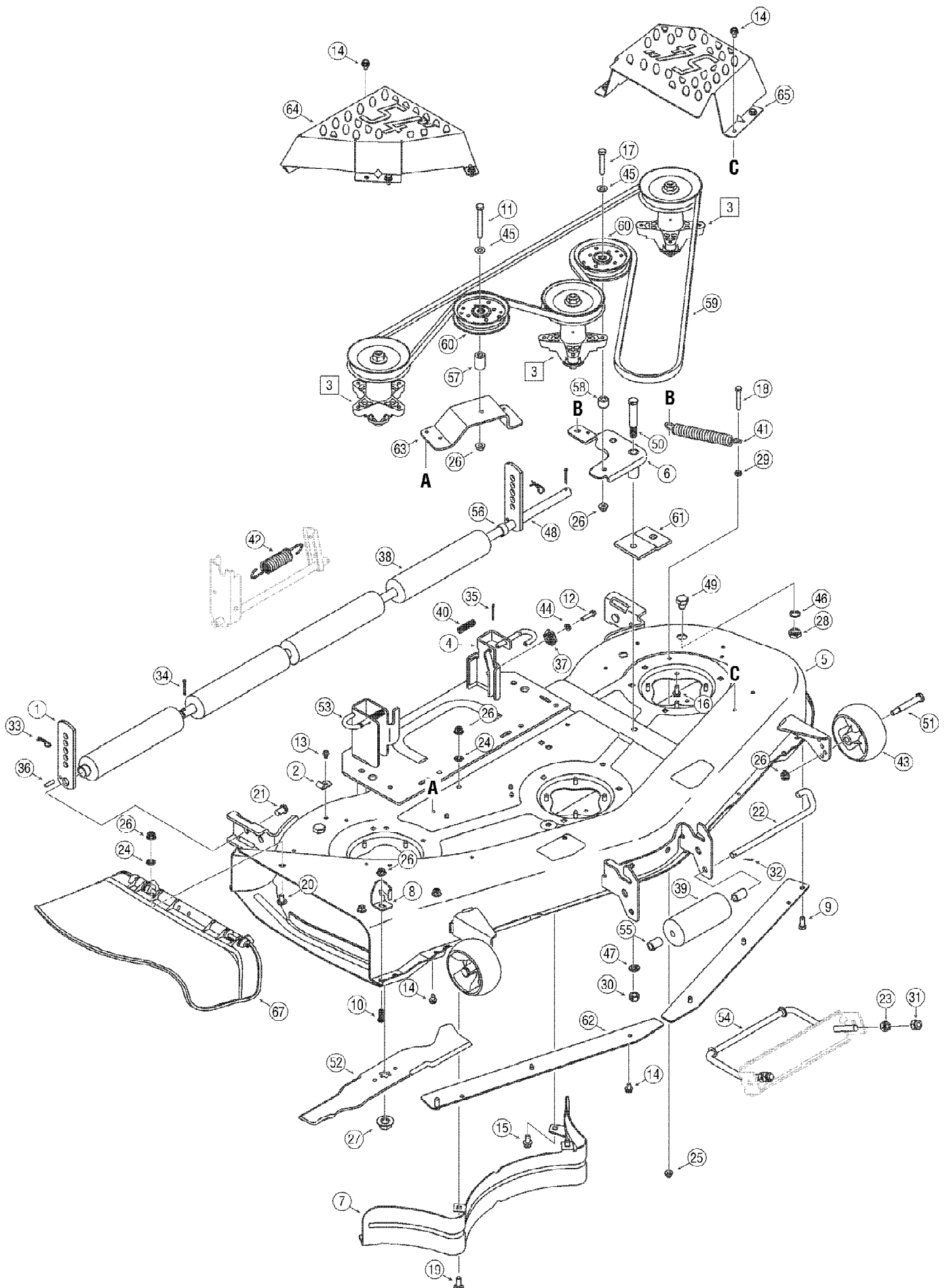


14AQ81TK766 Big Red GT54 (2006)  
Battery and Frame

Page 2 of 19

Ref #	Part Number	Qty	S/P/F	Description
1	710-04379A	1		HH Cap Screw 7/16-20 x 3.50
2	710-0726	1	/P	AB Screw 5/16-12 x.750
3	710-3011	1	/P	HH Cap Screw 3/8-16 x 2.25
4	712-04065	1	/P	Flange Lock Nut 3/8-16
5	717-1774B	1	S	PTO Clutch, Electric
6	736-0171	1	S	Lock Washer 7/16
7	736-0277	1		Flat Washer 1.031 x 1.620 x.095
8	748-0415B	1	/P	Spacer.385 x.635 x 1.54
9	756-0978A	1	S	Electric PTO Engine Pulley
10	783-04419B	1	S	Clutch Bracket
11	783-04467	1		Deck Bracket, Up-Stop
12	683-04173A	1	S	Lower Frame Assembly
13	710-0607	1	/P	TT Screw 5/16-18 x.500
14	710-0642	1	/P	TT Screw 1/4-20 x.750
15	710-1260A	1	/P	LD Screw 5/16-18 x.750
16	710-3005	1	/P	HH Cap Screw 3/8-16 x 1.25
17	712-04064	1	/P	Flange Lock Nut 1/4-20
18	732-04035	1		Compression Spring 1.28 x 3.125
19	736-0222	1	S	Lock Washer 1/4
20	738-04058	1		Shoulder Spacer.38 x 1.0 x.70
21	747-04121A	1		Battery Rod
22	783-0349	1		Battery Tray
23	783-04329A	1		Seat Frame Bracket
24	783-04811A	1		Upper Frame, GT
25	783-0693	1		Axle Bracket, GT
26	710-0703	1	/P	Carriage Screw 1/4-20 x.75
27	712-0271	1	/P	Sems Nut 1/4-20
28	725-1750A	1	S	Battery 235 CCA
29	710-0224	1	S	AB Screw #10-16 x.50
30	17962	1		Switch Plate
31	725-04039	1	S	Interlock Switch
32	710-0599	1	/P	TT Screw 1/4-20 x.50
33	725-1426A	1	S	Solenoid 12V 100 Amp

14AQ81TK766 Big Red GT54 (2006)  
Deck Assembly 54 inch



14AQ81TK766 Big Red GT54 (2006)  
Deck Assembly 54 inch

Page 4 of 19

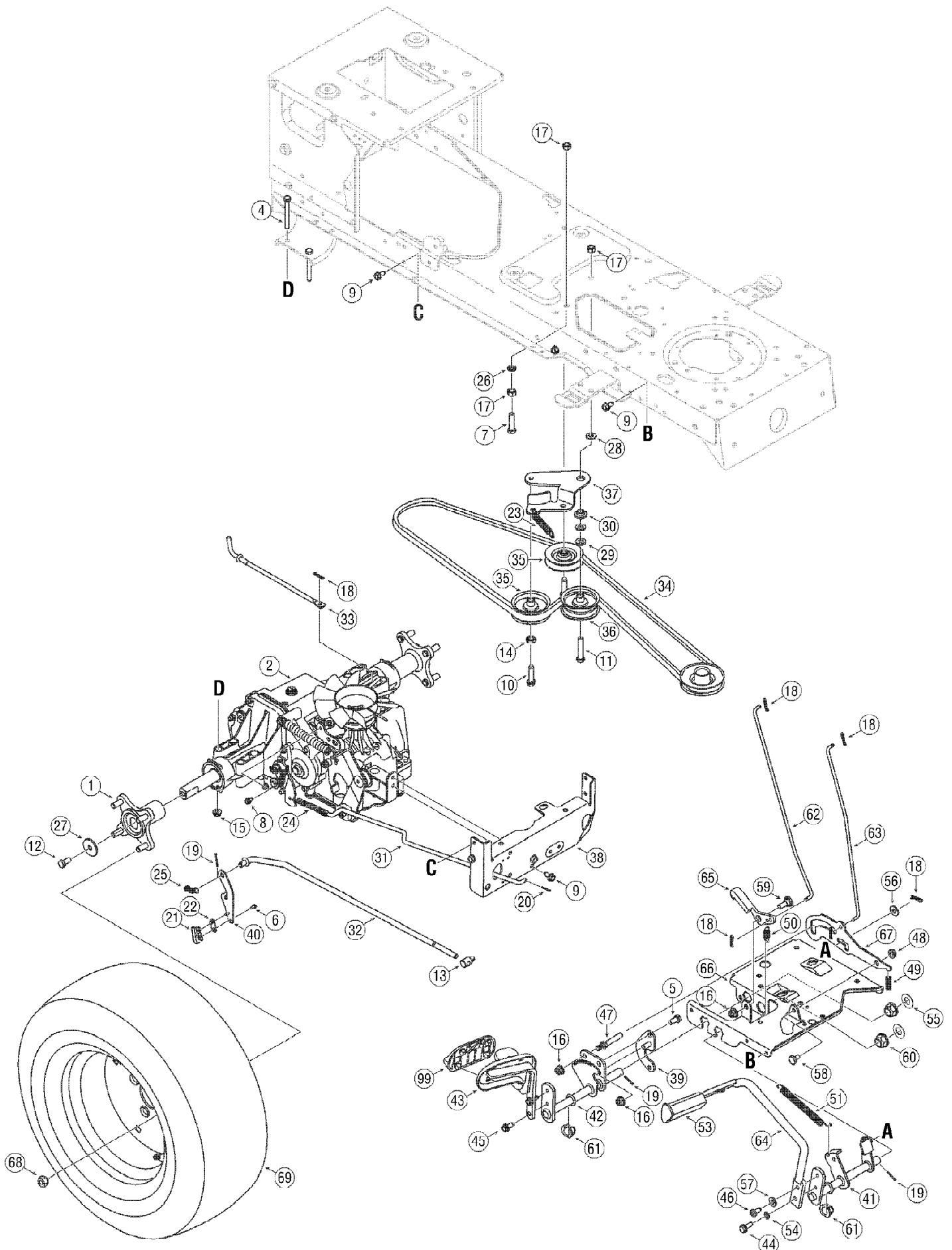
Ref #	Part Number	Qty	S/P/F	Description
1	12650	1		Height Adjustment Bracket
2	16606	1	S	Retainer Hook Bracket
3	618-0671	1	S	Pulley Spindle Assy. 5.39 x.5625
3	712-0417A	1	/P	Flange Nut:5/8-18 Not shown
3	937-3000	1	/P	Grease Fitting:3/16:LNC #70:DRI Not shown
3	738-1197	1		Spindle Shaft:6.95 LG. Not shown
3	941-0919	1	/P	Ball Bearing:20x47x14:62 Not shown
3	750-1000	1		Spacer:.80 x 1.10 x 1.322 Not shown
3	750-1349A	1	/P	Spacer:.79 x 1.84 x.55 Not shown
3	756-1171	1		Deck Pulley:5.39 Dia Not shown
4	683-0254B	1	/P	Deck Hanger Bracket Assembly
5	683-04113A	1		Deck Assembly 54" SD GT
6	683-0459	1		Idler Assembly 54"
7	703-2093	1		Baffle, Inner, RR
8	703-3279	1		Chute Stop Deflector
9	710-0216	1	/P	HH Cap Screw 3/8-16 x.75
10	710-04095	1		HH Cap Screw 3/8-16 x 1.00
11	710-0521	1	/P	HH Cap Screw 3/8-16 x 3.00
12	710-0528	1	/P	HH Cap Screw 5/16-18 x 1.25
13	710-0599	1	/P	TT Screw 1/4-20 x.500
14	710-0607	1	/P	TT Screw 5/16-18 x.500
15	710-0623	1	/P	TT Screw 3/8-16 x.750
16	710-1260A	1	/P	LD Screw 5/16-18 x.750
17	710-3011	1	/P	HH Cap Screw 3/8-16 x 2.25
18	710-3103	1	/P	HH Cap Screw 5/16-18 x 2.00
19	710-3168	1	/P	Carriage Bolt 3/8-16 x 1.00
20	710-3178	1	/P	Carriage Bolt 3/8-16 x.75
21	711-0332	1	S	Clevis Pin.50 x.78
22	711-1737	1		Roller Pin.5" x 10.06
23	712-0206	1	S	Hex Nut 1/2-13
24	712-0229	1		Push Nut 3/8
25	712-04063	1	/P	Flange Lock Nut 5/16-18
26	712-04065	1	/P	Flange Lock Nut 3/8-16
27	712-0417A	1	/P	Flange Nut 5/8-18
28	712-0641	1	S	Hex Nut M16-1.5 DIN 936
29	712-3010	1	S	Hex Nut 5/16-18
30	712-3022	1	/P	Hex Lock Nut 1/2-13
31	712-3083	1	/P	Hex Lock Nut 1/2-13
32	714-0111	1	S	Cotter Pin 3/32 x 1.0
33	714-0145	1	S	Click Pin.092 x 1.64
34	714-0162	1	/P	Cotter Pin 5/32 x 1.25
35	714-0470	1	S	Cotter Pin 1/8 x 1.25
36	715-0108	1	/P	Spring Pin 1/4 x 1.00
37	717-04074	1	S	Deck Adjustment Gear
38	731-0335	1		Deck Roller
39	731-3005	1	/P	Front Roller
40	732-0306A	1	S	Compression Spring.531 x 1.75
41	732-0459B	1	S	Extension Spring.94 x 6.74
42	732-0934	1		Extension Spring 1.15 x 5.99
43	734-04155	1		Deck Wheel 5.0 Dia. Ball
44	736-0119	1	S	Lock Washer 5/16
45	736-0300	1	S	Flat Washer.406 x.875 x.059
46	736-0760	1	S	Lock Washer

14AQ81TK766 Big Red GT54 (2006)  
Deck Assembly 54 inch

Page 5 of 19

Ref #	Part Number	Qty	S/P/F	Description
47	736-0921	1	S	Lock Washer 1/2
48	738-0295	1		Shaft.750 x.47.12
49	738-04146	1		Screw Plug M16 x 1.5
50	738-1229A	1	/P	Shoulder Screw.625 x 2.50 x 1/2-13
51	738-3056	1	S	Shoulder Screw 1/2 x 2.50
52	742-0677	1	S	Blade18.50" Long
53	747-1116	1	/P	Deck Handle Rod
54	747-1324	1		Front Deck Adjustment Rod
55	750-0151	1	S	Spacer.550 ID x.750 OD x 1.125
56	750-0212	1	S	Spacer.82 ID x 1.00 OD x.53
57	750-04597	1		Spacer.380 x.900 x 1.313
58	750-0933	1		Spacer 385 ID x.88 x.64
59	754-0642	1	S	V-Belt
60	756-04129	1	S	Idler Pulley 4.25
61	783-04013A	1		Stabilizing Bracket
62	783-04690	1	S	Deck Skirt
63	783-04726	1		Idler Bracket, Stationary
64	783-1470A	1		Spindle Cover, RH
65	783-1471	1		Spindle Cover, RH
67	631-04070A	1	/P	Chute Assembly

14AQ81TK766 Big Red GT54 (2006)  
Drive, Rear Wheels and Brakes



14AQ81TK766 Big Red GT54 (2006)  
Drive, Rear Wheels and Brakes

Page 7 of 19

Ref #	Part Number	Qty	S/P/F	Description
1	618-04317	1	S	Wheel Hub Assembly
2	618-04329	1	S	Hydro GT Transmission Assembly
3	629-0949A	1		Reverse/Ground Wire Harness Assy (not shown)
4	710-0176	1	/P	HH Cap Screw 5/16-18 x 2.75
5	710-0216	1	/P	HH Cap Screw 3/8-16 x.75
6	710-0227	1	/P	AB Screw #8-18 x.500
7	710-0520	1	/P	HH Cap Screw 3/8-16 x 1.50
8	710-0599	1	/P	TT Screw 1/4-20 x.500
9	710-0726	1	/P	AB Screw 5/16-12 x.750
10	710-1007	1	/P	TT Sems Screw 3/8-16 x 1.500
11	710-3011	1	/P	HH Cap Screw 3/8-16 x 2.25
12	710-3119	1	/P	HH Cap Screw 3/8-16 x.750
13	711-0832	1	S	Ferrule 3/8-24 x.375
14	712-0240	1	S	Jam Nut
15	712-04063	1	/P	Flange Lock Nut 5/16-18
16	712-04065	1	/P	Flange Lock Nut 3/8-16
17	712-3017	1	S	Hex Nut 3/8-16
18	714-0104	1	S	Cotter Pin.072 x 1.13
19	714-0111	1	S	Cotter Pin 3/32 x 1.0
20	714-0507	1	S	Cotter Pin 3/32 x.750
21	725-1644	1		Short Spring Switch
22	726-0320	1	S	Insulator Nut Plate
23	732-04323B	1	/P	Extension Spring.770 x 3.720
24	732-0716C	1	S	Extension Spring.59 x 4.00
25	732-3118	1		Extension Spring 3/8 x 1.44
26	736-0169	1	S	Lock Washer 3/8
27	736-0227	1	S	Flat Washer.390 x 1.500 x.134
28	736-0258	1	/P	Flat Washer.385 x 1.0 x.135
29	736-3010	1		Flat Washer.407 x.812 x.135
30	738-0372B	1	/P	Shoulder Spacer 1.00 x.38 x.38
31	747-04140	1		Brake Rod
32	747-1119	1		Control Rod
33	747-1121A	1	/P	Bypass Rod
34	754-0349	1	S	Drive Belt
35	756-04209	1	/P	V-Type Idler Pulley 3.06
36	756-04224	1	/P	Flat Idler Pulley 2.75
37	783-04442	1		Center Double Idler Pulley
38	783-0667B	1		Transmission Torque Bracket
39	783-0745	1	S	Speed Control Bracket
40	783-0782	1	S	Switch Actuator Bracket
41	647-0031B	1	S	Brake Control Assembly
42	647-0049A	1	S	Drive Control Assembly
43	683-0267C	1	/P	Hydro Pedal Assembly
44	710-0650	1	/P	TT Screw 5/16-18 x.875
45	710-1260A	1	/P	LD Screw 5/16-18 x.750
46	710-1611B	1	/P	TT Screw 5/16-18 x.750
47	711-04159B	1		Pin 3/8-16 x 2.68
48	712-3004A	1	/P	Flange Lock Nut 5/16-18
49	732-0335	1		Compression Spring.405 x 1.17
50	732-0955	1		Extension Spring.50 x 1.41
51	732-0963	1		Extension Spring.50 x 6.37
52	735-0662	1		Drive Pedal Pad

14AQ81TK766 Big Red GT54 (2006)  
Drive, Rear Wheels and Brakes

Page 8 of 19

Ref #	Part Number	Qty	S/P/F	Description
53	735-3049	1	S	Brake Control Pad
54	736-0119	1	S	Lock Washer 5/16
55	736-0187	1	/P	Flat Washer.64 x 1.24 x.06
56	736-0262	1	/P	Flat Washer.385 x.870 x.092
57	736-3008	1	S	Flat Washer.344 x.750 x.120
58	738-0155	1	S	Shoulder Screw.437 x.162
59	738-0380	1	S	Shoulder Screw.50 x.27 x 3/8-16
60	741-0225	1	S	Hex Flange Bearing
61	741-3065B	1	/P	Hex Flange Bearing.628 ID Split
62	747-04093	1		Brake Lock Control Rod
63	747-04096	1		Cruise Control Rod
64	747-04521	1		Brake Pedal
65	748-04039B	1	/P	Cruise Latch
66	783-04612	1	S	Steering Support Bracket
67	783-0663E	1	/P	Hydro Lockout Bracket
68	712-3050	1	/P	Lug Nut 7/16-14
69	634-0202A	1		Wheel Assy Complete 23 x 10.5 x 12
69	634-3178	1		Rim Only 12 x 7
69	734-0255	1	S	Air Valve
69	734-04147	1	S	Tire Only 23 x 10.5 x 12 Sq. Shoulder



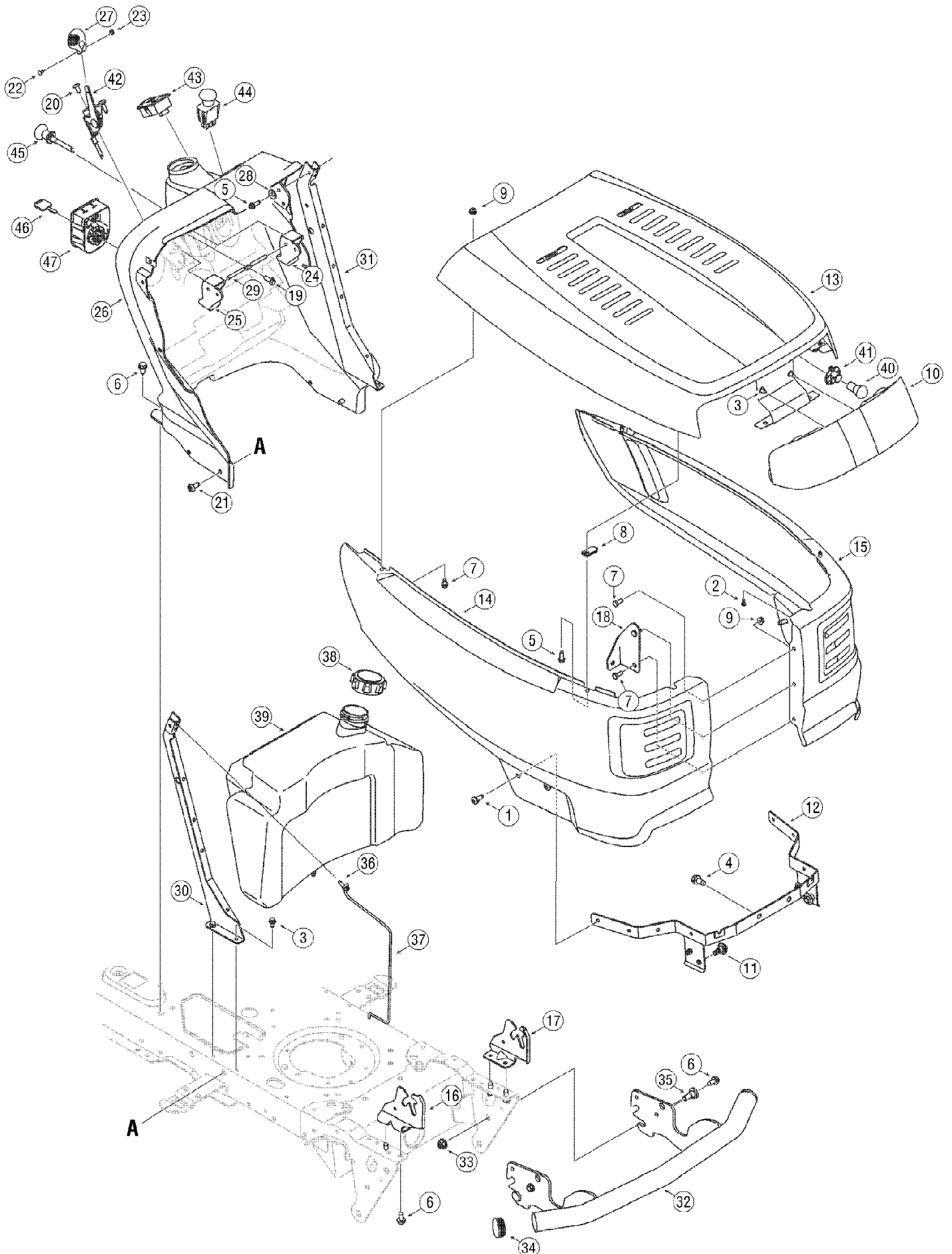


14AQ81TK766 Big Red GT54 (2006)  
Engine Accessory

Page 10 of 19

Ref #	Part Number	Qty	S/P/F	Description
1	683-04256	1	S	Muffler Shield Assembly
2	710-0227	1	/P	AB Screw #8-18 x.500
3	710-0599	1	/P	TT Screw 1/4-20 x.500
4	710-0642	1	/P	TT Screw 1/4-20 x.750
5	710-0654A	1	/P	TT Sems Screw 3/8-16 x 1
6	712-3005	1	S	Flange Lock Nut 3/8-16
7	725-0157	1	/P	Cable Tie
8	726-0205	1	/P	Hose Clamp
9	728-04000	1		Pop Rivet
10	736-0300	1	S	Flat Washer.406 x.875 x.059
11	751-0564B	1	/P	Muffler Deflector
12	751-10006	1		Exhaust Pipe RH
13	751-10007	1		Exhaust Pipe LH
14	751-10161	1		Dual Inlet Muffler
15	751-10349	1		Fuel Hose
16	751-10353	1		Muffler Deflector, Long
17	751-3140	1	S	Oil Drain
18	751-3141	1	S	Oil Drain Hose Extension
19	751-3142	1		Oil Drain Cap
20	783-04573	1		Muffler Bracket LH
21	783-04574	1		Muffler Bracket RH
22	783-04783	1	S	Heat Shield

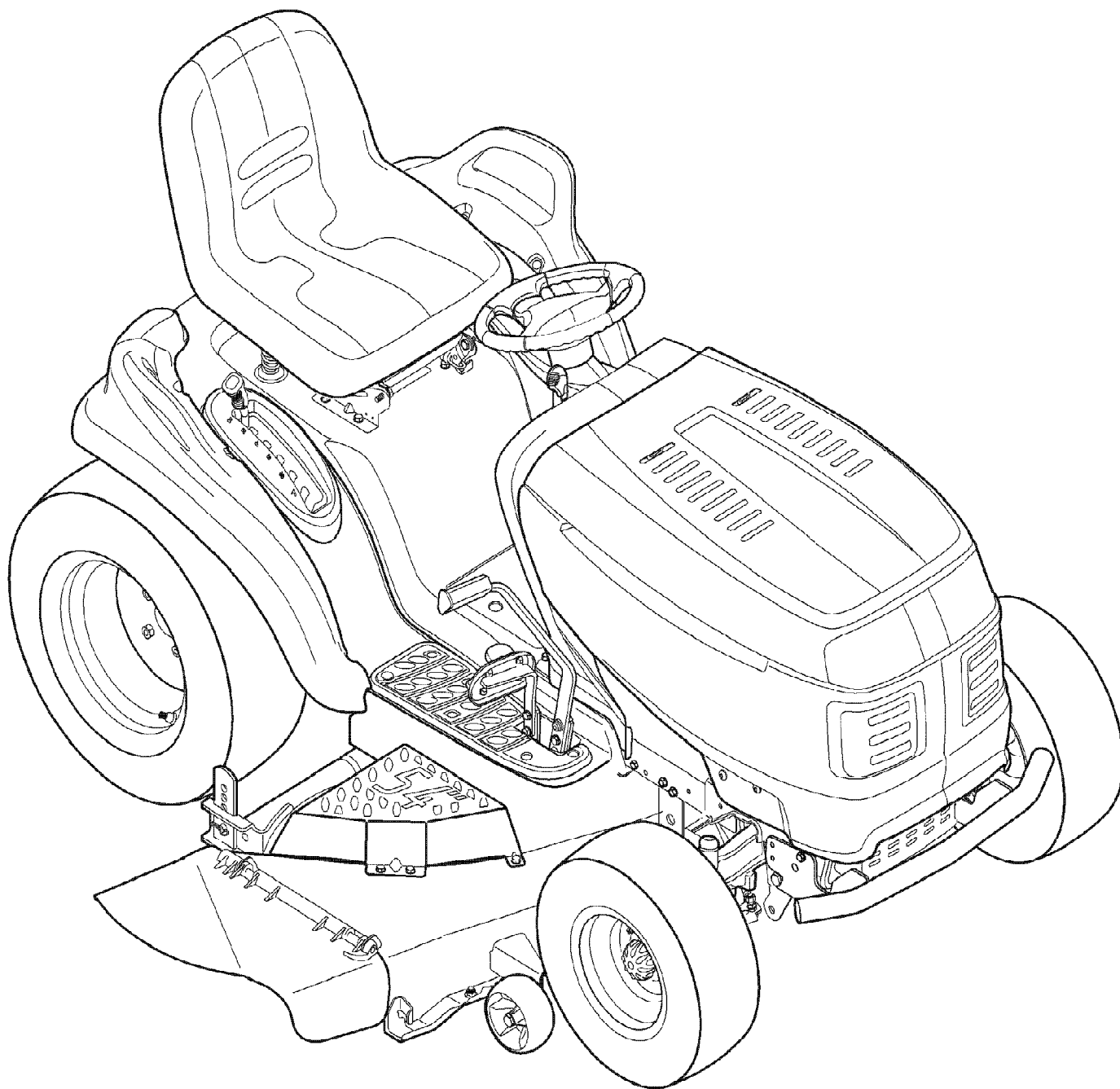
14AQ81TK766 Big Red GT54 (2006)  
Hood and Grille



14AQ81TK766 Big Red GT54 (2006)  
Hood and Grille

Page 12 of 19

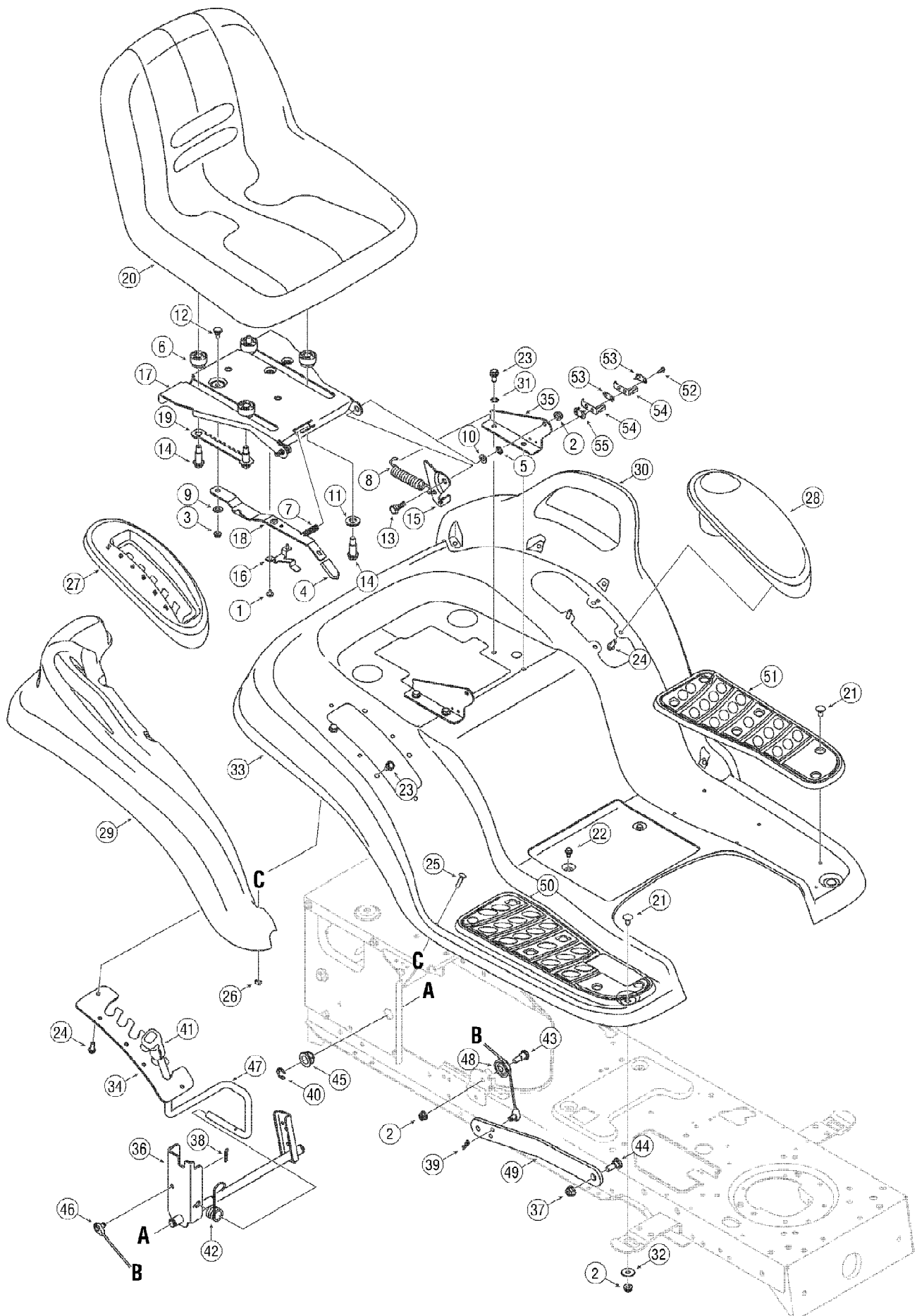
Ref #	Part Number	Qty	S/P/F	Description
1	710-04593	1		Screw TT, 5/16-18 x.375
2	710-04599	1		Screw #8-18 x.500
3	710-0599	1	/P	Screw TT, 1/4-20 x.500
4	710-0623	1	/P	Screw TT, 3/8-16 x.750
5	710-0642	1	/P	Screw TT, 1/4-20 x.750
6	710-0726	1	/P	Screw AB, 5/16-12 x.750
7	710-0751	1	/P	HH Cap Screw 1/4-20 x.620
8	712-0292	1	/P	Clip Nut 1/4-20
9	712-04064	1	/P	Flange Lock Nut 1/4-20
10	731-05357	1	S	Lens
11	738-04091	1	S	Shoulder Screw.43x.29:TT:5/16-18
12	783-04606A	1		Pivot Bracket
13	783-04827	1		Hood
14	783-04828	1		RH Side Panel
15	783-04829	1		LH Side Panel
16	783-04840	1		RH Hood Pivot Bracket
17	783-04841	1		LH Hood Pivot Bracket
18	783-05116	1	S	Support Hood Bracket
19	710-0895	1		Screw HL, 1/4-15 x.750
20	710-1017	1	/P	Screw AB, 1/4-14 x.625
21	710-1611B	1	/P	Screw TT, 5/16-18 x.750
22	710-3217	1	/P	Screw #8-32 x.375
23	712-0142	1	/P	Hex Nut #8-32
24	731-04728	1		Brake Dash Lever
25	731-04729	1		Cruise Dash Lever
26	731-05005B	1		Dash Panel
27	731-1857	1		Control Knob
28	736-0270	1	/P	Bell Washer.265 x.75 x.062
29	747-1196	1		Lever Rod
30	783-04285D	1	S	RH Plate Dash Support
31	783-04323D	1		LH Plate Dash Support
32	683-04219	1	S	Bumper
33	712-04065	1	/P	Flange Lock Nut 3/8-16
34	731-05598	1		Bumper Cap
35	738-0143	1	/P	Shoulder Screw.498 x.340 x 3/8-16
36	710-0642	1	/P	Screw TT, 1/4-20 x.75
37	747-04161	1		Tank Support Rod
38	751-0603	1	S	Fuel Cap
39	751-10283	1		Fuel Tank, 3 Gal.
40	725-0963	1	S	Miniature Lamp, 12V
41	725-1649	1	S	Socket, Lamp
42	746-1086	1	S	Throttle Cable 39-inch
43	725-04036B	1	S	Systems Indicator Monitor w/Hour Meter
44	725-04174	1	S	Electric PTO Switch
45	746-04132	1	S	Choke Control 37.5" x 2
46	725-1744	1	S	Ignition Key
46	725-1745	1	S	Ignition Key w/ Plastic Cover
47	725-04227A	1	S	Ignition Switch Module
	629-04083	1	S	Headlight Wire Harness (not pictured)
	725-04336	1	S	Tractor Wire Harness (not pictured)



14AQ81TK766 Big Red GT54 (2006)  
Quick Reference

Page 14 of 19

Ref #	Part Number	Qty	S/P/F	Description
	759-3336	1	/P	Spark Plug
	KH-12-050-01-S	1	/P	Oil Filter
	N/A	1		Pre Filter
	KH-32-083-03-S	1		Air Filter
	KH-25-050-22-S	1		Fuel Filter
	751-0603	1	S	Fuel Cap
	725-1426A	1	S	Solenoid
	618-0671	1	S	Deck Spindles
	742-0677	1	S	Blades
	712-0417A	1	/P	Blade Nut
	734-04155	1		Deck Wheels
	723-0448A	1	S	Ball Joints
	725-1745	1	S	Ignition Keys
	746-1086	1	S	Throttle Cable
	746-0968	1		Lift Cable
	N/A	1		Upper Drive Belt
	754-0349	1	S	Lower Drive Belt
	754-0642	1	S	Deck Spindle Belt
	N/A	1		PTO Belt
	725-04039	1	S	Saftey Switch - Brake
	725-04039	1	S	Saftey Switch - Deck
	731-04070A	1		Discharge Chute
	N/A	1		Mulch Plug
	725-1750A	1	S	Battery



14AQ81TK766 Big Red GT54 (2006)  
Seat and Fender

Page 16 of 19

Ref #	Part Number	Qty	S/P/F	Description
1	710-1268	1	/P	Screw #10-16 x.375
2	712-04063	1	/P	Flange Lock Nut 5/16-18
3	712-04064	1	/P	Flange Lock Nut 1/4-20
4	720-0309A	1	/P	Seat Adjuster Grip
5	726-0201	1		Speed Nut
6	731-04074	1		Spacer
7	732-0499	1		Compression Spring
8	732-1184	1	/P	Extension Spring
9	736-0204	1	/P	Flat Washer.344 x.62 x.033
10	736-0242	1	/P	Bell Washer.340 x.872 x.060
11	736-3019	1		Flat Washer.531 x 1.062 x.134
12	738-0137A	1	S	Shoulder Screw.340 x.285 x 1/4-20
13	738-0296	1	S	Shoulder Screw.437 x.268 x 5/16-18
14	738-0966A	1	/P	Shoulder Bolt.50 x.925 x 3/8-16
15	783-0209D	1	/P	Seat Lift Bracket
16	783-0611	1		Seat Stop
17	783-0738C	1	S	Seat Pivot Bracket
18	783-0739A	1	S	Seat Adjustment Lever
19	783-0753	1		Seat Adjustment Selector
20	757-04010	1	S	High Back Seat
21	710-0451	1	/P	Carriage Bolt 5/16-18 x.750
22	710-0599	1	/P	TT Screw 1/4-20 x.500
23	710-0604A	1	/P	TT Screw 5/16-18 x.625
24	710-0895	1		HL Screw 1/4-15 x.750
25	710-0932	1	/P	Carriage Screw 1/4-20 x 1.00
26	712-0271	1	/P	Sems Nut 1/4-20
27	731-1990	1		Lift Lever Cover
28	731-1993A	1		Cover w/Cup Holder
29	731-2618	1		RH GT Fender Flare
30	731-2619	1		LH GT Fender Flare
31	736-0607	1	/P	Lock Washer 5/16
32	736-3078	1	/P	Flat Washer.344 x 1.0 x.063
33	783-04459A	1		Fender 4 Style Hydro w/Flares
34	783-0677B	1		Lift Adjustment Bracket
35	783-1489B	1	/P	Seat Mount Bracket
36	683-04118	1	S	54" Lift Shaft Assembly
37	712-04065	1	/P	Flange Lock Nut 3/8-16
38	714-0104	1	S	Cotter Pin.072 x 1.13
39	714-0111	1	S	Cotter Pin 3/32 x 1.0
40	716-0106A	1		E-Ring
41	720-0311	1		Handle Grip
42	732-0874	1	/P	Torsion Spring
43	738-0138A	1	/P	Hex Cap Screw 5/16-18 x.620
44	738-0380	1	S	Shoulder Screw.50 x.27 x 3/8-16
45	741-0225	1	S	Hex Flange Bearing
46	746-0968	1		Lift Cable
47	747-04155	1		Lift Handle
48	756-1154	1		Roller Pulley
49	783-0678A	1	S	Lift Arm
50	735-0656	1		Foot Pad RH
51	735-0657	1		Foot Pad LH
52	710-0227	1	/P	Screw AB #8-18 x.500
53	726-0279	1		Insulator Plate



14AQ81TK766 Big Red GT54 (2006)  
Seat and Fender

Page 17 of 19

Ref #	Part Number	Qty	S/P/F	Description
54	725-1303	1	S	Outer Seat Spring Switch
55	726-0278	1		Insulator Boss Plate



14AQ81TK766 Big Red GT54 (2006)  
Steering and Wheels

Page 19 of 19

Ref #	Part Number	Qty	S/P/F	Description
1	710-04095	1		Hex Screw, 3/8-16, 1.00, Gr5
2	710-0514	1	/P	Hex Screw, 3/8-16, 1.00, Gr5
3	710-0643	1	/P	Hex Screw, 5/16-18, 1.00, Gr5
4	711-1408	1		Link, Drag, RH
5	711-1409A	1	/P	Link, Drag, LH
6	712-0214	1	S	Nut, Hex Lock, 3/8-24
7	712-0431	1	S	Nut, Flange Lock, 3/8-16, Grf, Top Lock
8	712-0459	1	/P	Nut, Flange Lock, 7/16-20, Grb, Lock
9	712-3004A	1	/P	Nut, Flange Lock, 5/16-18, Gr5, SD Lock
10	712-0240	1	S	Nut, Jam 7/16-20, GR2
11	717-1550E	1	S	Steering Gear
12	717-1554	1		Steering Pinion Gear
13	723-0448A	1	S	Ball Joint 7/16-20: Lock
14	736-3004	1	S	Flat Washer.406 x.875 x.105
15	736-3084	1	/P	Flat Washer.51 x 1.12 x.06
16	738-04154	1		Shoulder Spacer.38 x 1 x.31
17	738-1001A	1	/P	Steering Shaft
18	741-0475	1	S	Plastic Bushing
19	741-0656A	1	S	Hex Flange Bearing
20	714-04039	1		Cotter Pin 5/32 x 1.25
21	719-04177	1	S	Cast Iron Pivot Axle
22	726-04035	1		Push Nut
23	731-04693	1		Push Cap
24	736-0316	1	S	Flat Washer.78 x 1.59 x.060
25	638-04003A	1	S	Axle Assembly LH
26	638-04004A	1	S	Axle Assembly RH
27	738-1011A	1	/P	Shoulder Screw.50 x 2.230 x 3/8-16
28	712-04065	1	/P	Nut, Flange Lock, 3/18-16: Grf Nylon
29	731-2290A	1	/P	Hub Cap
30	634-04088A	1	/P	Wheel Assembly Complete
30	734-04148	1		Tire Only 16 x 7.5 x 8
30	634-04082	1	S	Rim Only w/Valve Stem, bearings
30	741-0516B	1	/P	Flange Bearing
30	741-0990B	1	/P	Flange Bearing w/ Grease Fitting
31	631-04008	1	S	Steering Wheel
32	731-04066	1	S	Steering Wheel Cover
33	711-0332	1	S	Clevis Pin.50 x.78
34	714-04023	1	S	Internal Cotter Pin.080 x 1.5625
35	783-0720A	1	S	Front Deck Adjustment Bracket
36	783-0727D	1		LH Support Pivot Bracket
37	783-0726E	1	/P	RH Support Pivot Bracket
38	783-0728	1		Pivot Bar Bracket
39	710-1260A	1	/P	Screw LD 5/16-18 x.75