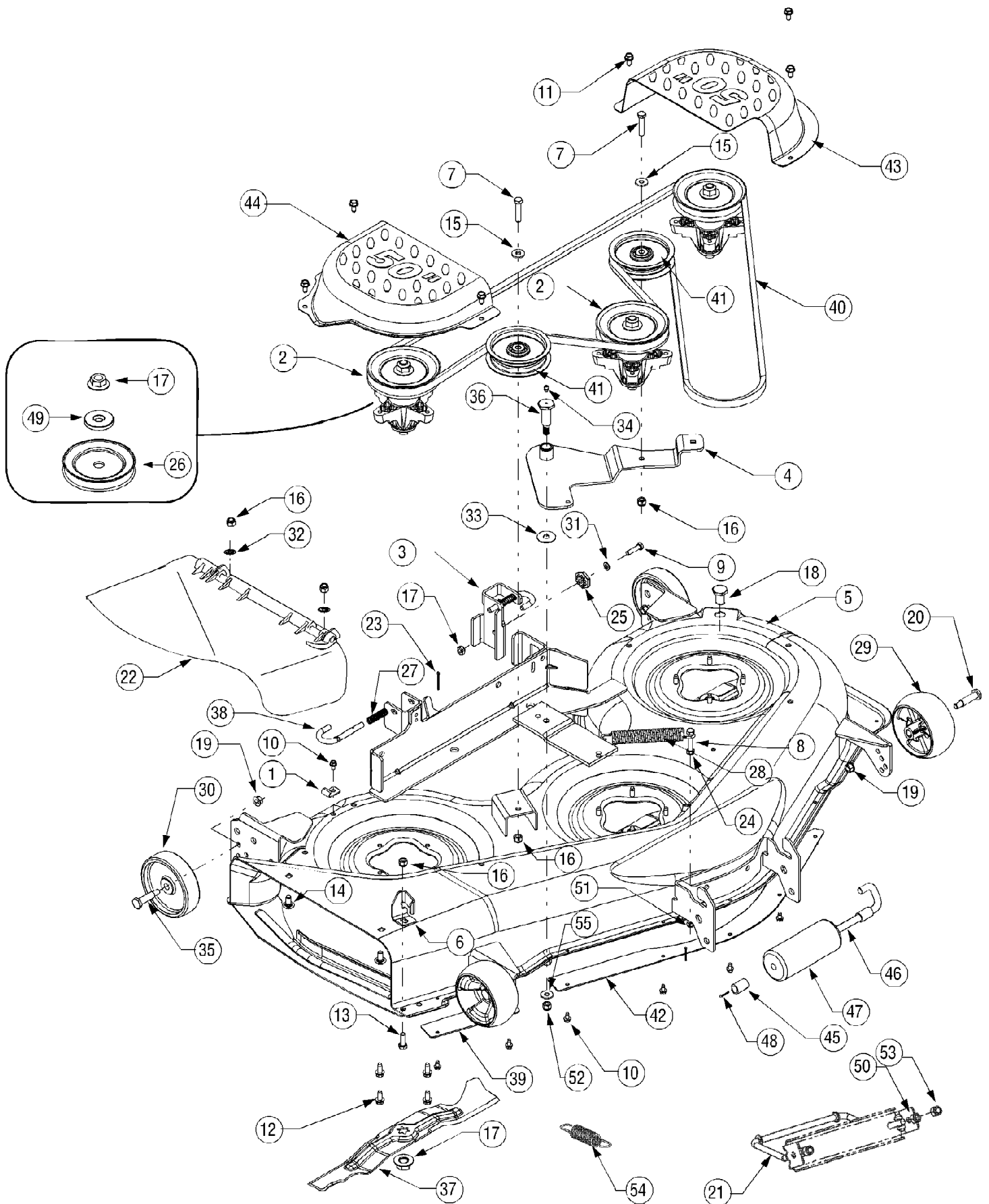


14AP80TP766 Big Red GT50 (2006)
Axle, Front Wheel and Steering

Page 2 of 21

Ref #	Part Number	Qty	S/P/F	Description
1	710-1260A	1	/P	Self-tapping Screw, 5/16-18 x.75
2	712-04065	1	/P	Nut, Flange Lock, 3/8-16
3	783-0726E	1	/P	RH Pivot Support Bracket
4	783-0727D	1		LH Pivot Support Bracket
5	783-0728	1		Pivot Bar Bracket
6	710-0514	1	/P	Hex Cap Screw, 3/8-16 x 1
7	711-1408	1		RH Drag Link
8	711-1409A	1	/P	LH Drag Link
9	712-0240	1	S	Jam Nut, 7/16-20
10	712-0214	1	S	Hex Nut, 3/8-24
11	712-0431	1	S	Flange Lock Nut, 3/8-16
12	712-0459	1	/P	Flange Lock Nut, 7/16-20
13	712-3004A	1	/P	Flange Lock Nut, 5/16-18
14	717-1550E	1	S	Steering Gear, 11/90 Ratio
15	717-1554	1		Steering Pinion Gear
16	723-0448A	1	S	Ball Joint, 7/16-20
17	714-04023	1	S	Cotter Pin, Internal
18	736-3084	1	/P	Flat Washer,.51 x 1.12 x.06
19	738-1001A	1	/P	Steering Shaft,.625 OD x 24.4
20	741-0475	1	S	Plastic Bushing,.38 ID
21	741-0656A	1	S	Hex Flange Bearing, 5/8
22	738-04154	1		Shoulder Spacer,.38 x 1.00 x.31
23	631-04008	1	S	Steering Wheel, Soft Grip, Three Spoke
24	731-04681	1		Steering Wheel Cap
25	638-04003A	1	S	LH Axle Assembly,.75 Diameter
26	638-04004A	1	S	RH Axle Assembly,.75 Diameter
27	719-04177	1	S	Cast Iron Pivot Bar
29	714-04039	1		Cotter Pin
30	731-04693	1		Hub Cap
31	736-3004	1	S	Flat Washer,.406 x.875 x.105
32	736-0316	1	S	Flat Washer,.78 x 1.59 x.06
33	711-0332	1	S	Pin, Clevis,.50 Dia. x.78 Lg.
34	738-1011A	1	/P	Shoulder Screw,.5 x 2.2, 3/8-16
35	710-0643	1	/P	Hex Bolt, 5/16-18 X 1
36	634-04088A	1	/P	Wheel Assembly Complete, 16 x 7.5 x 8
36	634-04082	1	S	Rim Only w/ Plastic Bearing
36	734-0255	1	S	Air Valve (Not Shown)
36	734-04148	1		Tire Only, Square Shoulder
36	741-0516A	1	S	Flange Bearing
36	741-0990A	1	S	Flange Bearing w/ Grease Fitting
37	731-2290A	1	/P	Hub Cap
38	783-0720A	1	S	Brkt., Adj., Frt.
39	726-04035	1		Nut, Push, 3/4 Dia.
40	710-04095	1		Hex Bolt 3/8-16 x 1.0 Special



14AP80TP766 Big Red GT50 (2006)
Deck Assembly

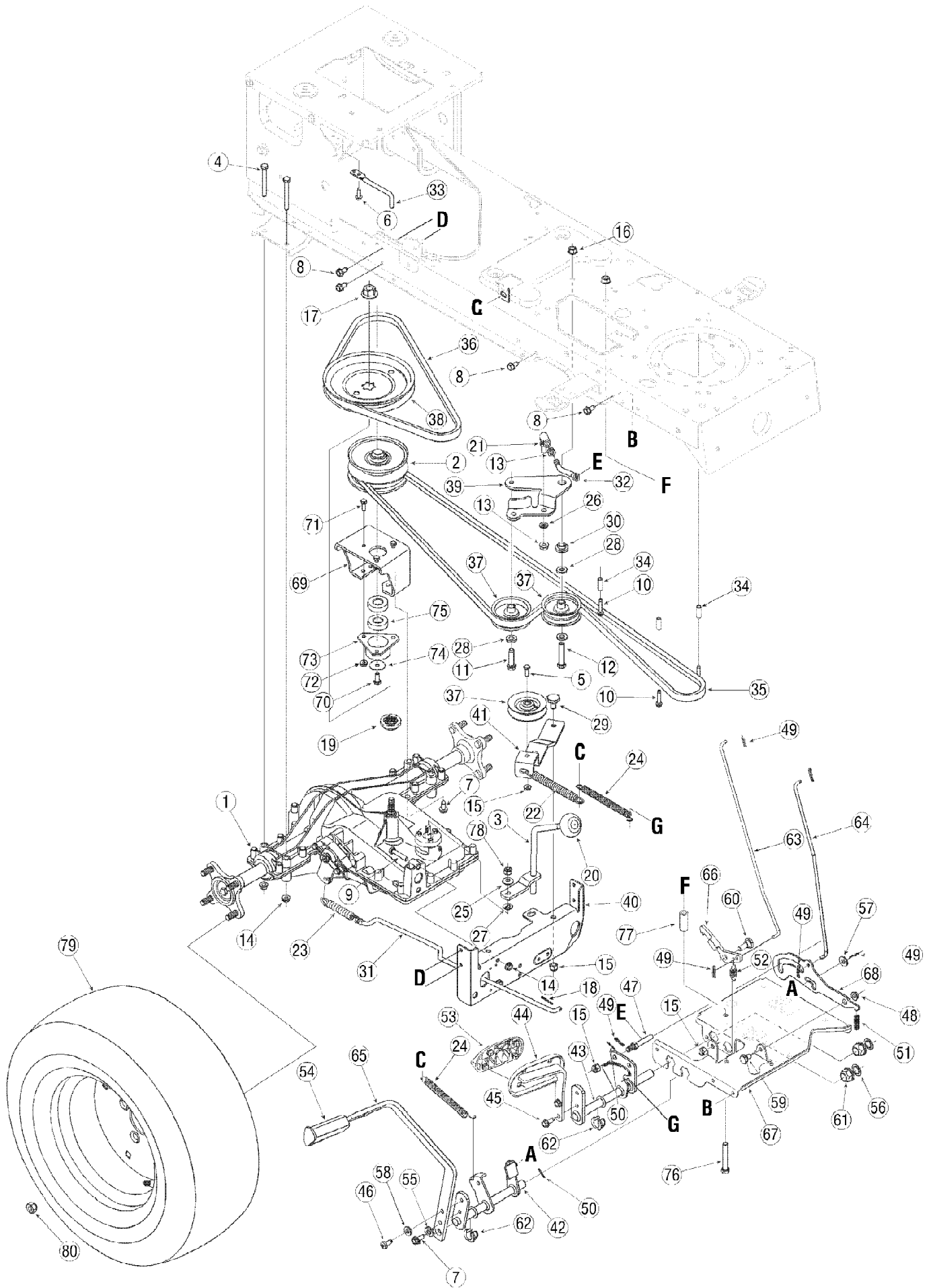
Page 4 of 21

Ref #	Part Number	Qty	S/P/F	Description
1	16606	1	S	Hook, Retainer
2	618-04126	1	S	Spindle Assembly
2	712-0417A	1	/P	Flange Nut 5/8-18 Not shown
2	912-3000	1	/P	Hex Lock Nut:3/8-16:GRB Not shown
2	736-0315	1	/P	Flat Washer:.760 x 1.5 x .120 Not shown
2	937-3000	1	/P	Grease Fitting:3/16:LNC #70:Drive Not shown
2	738-1010A	1	/P	Spindle Shaft:5.75 LG. Not shown
2	941-0919	1	/P	Ball Bearing:20x47x14:62 Not shown
2	750-1000	1		Spacer:.80 x 1.10 x 1.322 Not shown
2	750-1349A	1	/P	Spacer:.79 x 1.84 x.55 Not shown
2	756-1171	1		Deck Pulley 5.39 Dia Not shown
3	683-0254B	1	/P	Hanger Bracket Assembly
4	683-04239	1		Idler Bracket
5	683-04109B	1		Deck Assembly, 50-inch
6	703-3279	1		Deflector Chute Stop
7	710-0347	1	/P	Screw, 3/8-16, 1.75
8	710-3103	1	/P	Screw, 5/16-18 x 2.00
9	710-0528	1	/P	Screw, 5/16-18, 1.25, Gr5
10	710-0599	1	/P	Screw, 1/4-20 x 0.5
11	710-0607	1	/P	Screw, 5/16-18 x.500
12	710-1260A	1	/P	Screw, 5/16-18 x.75
13	710-04095	1		Screw, 3/8-16 x 1.0
14	710-3178	1	/P	Screw, Carriage, 3/8-16 x.75
15	736-0300	1	S	Washer, Flat,.406 x.875 x.059
16	712-04065	1	/P	Nut, Nylon Lock, 3/8-16
17	712-0417A	1	/P	Nut, Hex, Flange, 5/8-18
18	738-04146	1		Plug, Screw, M16 x 1.5
19	712-0431	1	S	Nut, Flange Lock, 3/8-16
20	738-3056	1	S	Shld, Screw, 1/2 Dia. x 2.50 Lg.
21	747-1324	1		Rod, Deck, Front
22	631-04070A	1	/P	Chute Assembly, Side Discharge
23	714-0470	1	S	Pin, Cotter, 1/8 x 1.25
24	712-3010	1	S	Nut, Hex, 5/16-18
25	717-04074	1	S	Deck Adjustment Gear
26	756-1171	1		Pulley, 5.39"
27	732-0306A	1	S	Spring, Compression,.531 x 1.75
28	732-0459B	1	S	Spring, Extension,.94 x 6.74
29	734-04155	1		Deck Wheel, 5.0
30	734-0973	1	/P	Deck Wheel, 5.0
31	736-0119	1	S	Washer, Lock, 5/16
32	712-0229	1		Push Nut, 3/8
33	736-0406	1	S	Washer, Flat,.442 x 1.38 x.060
34	737-3000	1	S	Fitting, Lube, 3/16
35	738-0373	1	S	Shoulder Screw
36	738-3005A	1	S	Screw, Shoulder,.68 x 1.59
37	742-04053A	1	S	Blade, 17.90
38	747-1116	1	/P	Rod, Deck Release.375 Dia.
39	783-04415	1		Deck Skirt, RH
40	754-04107	1	S	Belt, V-Type, Aramid
41	756-04129	1	S	Pulley, Idler, 3.5"
42	783-04414A	1	/P	Deck Skirt, Center
43	783-04399	1		LH Belt Cover

14AP80TP766 Big Red GT50 (2006)
Deck Assembly

Page 5 of 21

Ref #	Part Number	Qty	S/P/F	Description
44	783-04400	1		RH Belt Cover
45	750-0151	1	S	Spacer, 1.1"
46	711-1737	1		Roller Pin
47	731-3005	1	/P	Roller
48	714-0111	1	S	Pin, Cotter, 3/32 x 1.00
49	736-0315	1	/P	Wash, Flat,.760 x 1.50 x.120
50	712-0206	1	S	Nut, Hex, 1/2-13
51	712-04063	1	/P	Nut, Flange Lock, 5/16-18
52	712-3019	1	S	Nut, Hex, 7/16-14
53	712-3083	1	/P	Nut, Hex Lock, 1/2-13
54	732-0934	1		Spring, Extension, 1.15 Dia. x 5.99
55	736-0407	1		Wash, Bell,.45 x 1.00 x.062



14AP80TP766 Big Red GT50 (2006)
Drive, Controls and Rear Wheels

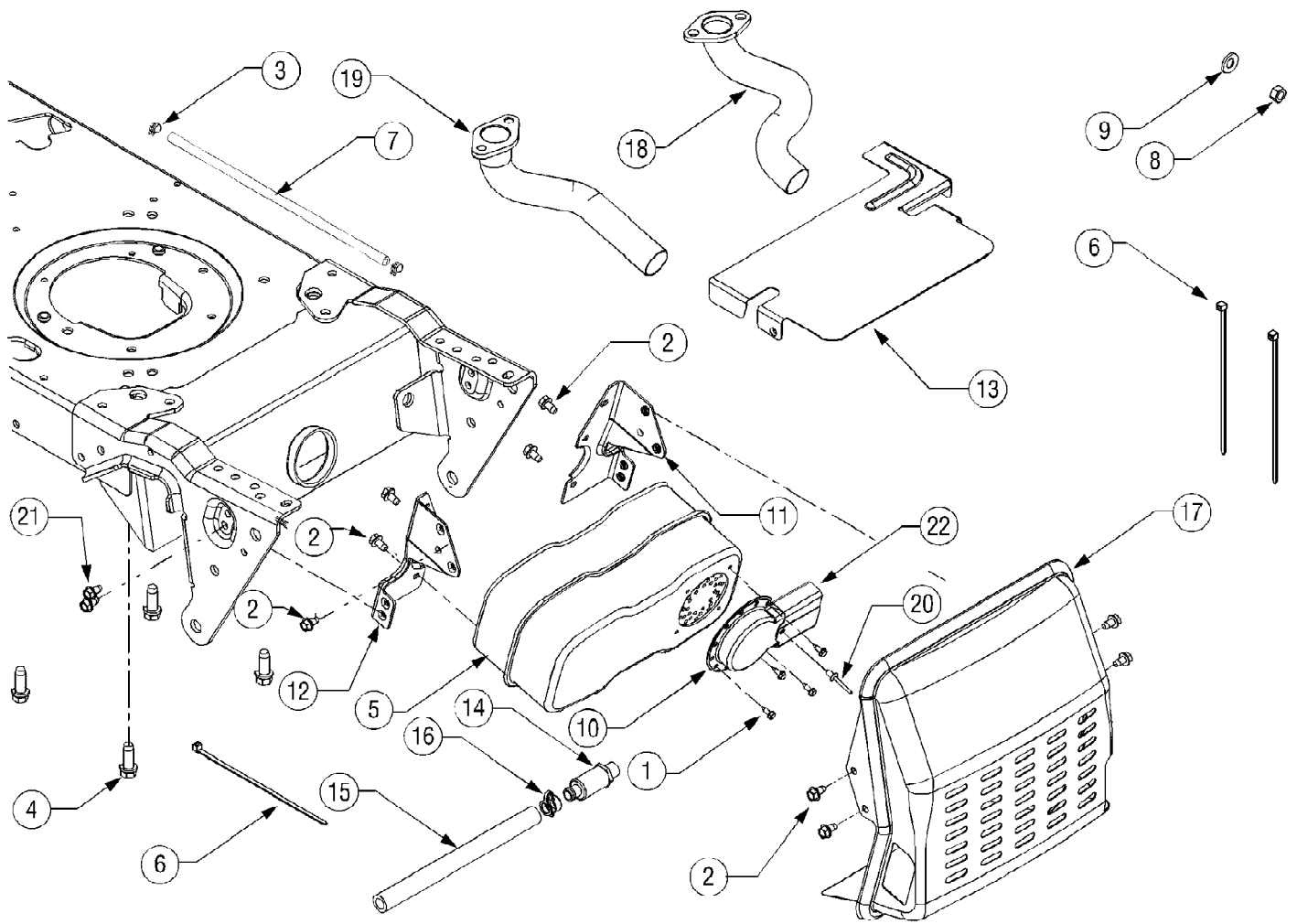
Page 7 of 21

Ref #	Part Number	Qty	S/P/F	Description
1	753-05002	1	/P	Transmission Assembly, 2-Speed
2	656-04015	1	S	Pulley Assembly, Variable Speed
3	647-04023	1	S	Rod Assembly, Shift, 2-Speed
4	710-0176	1	/P	Screw, 5/16-18, 2.75, Gr5
5	710-0347	1	/P	Screw, 3/8-16, 1.75, Gr5
6	710-0642	1	/P	Screw, 1/4-20, 0.750
7	710-0650	1	/P	Screw, 5/16-18, 0.875
8	710-0726	1	/P	Screw, 5/16-12, 0.750
9	710-0805	1	/P	Screw, 5/16-18, 1.50, Gr5
10	710-0809	1		Screw, 1/4-20, 1.250
11	710-1007	1	/P	Screw, Sems, 3/8-16, 1.500
12	710-3011	1	/P	Screw, 3/8-16, 2.25, Gr5
13	712-0241	1	/P	Nut, Hex, 3/8-24, Gr5
14	712-04063	1	/P	Nut, Flange Lock, 5/16-18, GrF, Nylon
15	712-04065	1	/P	Nut, Flange Lock, 3/8-16, GrF, Nylon
16	712-0431	1	S	Nut, Flange Lock, 3/8-16, GrF,
17	712-0702	1	S	Nut, Flange, 7/16-20, Gr2
18	714-0507	1	S	Pin, Cotter, 3/32 x.750
19	718-0771A	1	S	Hub, Pulley, 1/2 Spline
20	720-04028	1		Knob, Shift
21	723-3018	1	S	Ball, Joint
22	732-0478	1	S	Extension, Spring 6.12
23	732-0716C	1	S	Spring, Extension,.59 OD x 4.00
24	732-0963	1		Spring, Extension,.50 Dia x 6.37
25	736-0105	1	/P	Washer, Bell,.375 x.870 x.063
26	736-0169	1	S	Washer, Lock, 3/8, Regular Duty
27	736-0642	1		Washer, Flat,.44x.75x.06, Ht Spcl
28	736-3010	1		Washer, Flat,.407x.812x.135, Ht
29	738-0322	1	S	Screw, Shoulder,.625 Dia x.217
30	738-0372B	1	/P	Spacer, Shoulder, 1.00 x.38 x.38
31	747-04136	1		Brake Rod
32	747-1127	1		Adjustment Rod, Idlr, 3/8
33	747-1185A	1		Rod, Belt Guard
34	750-0566A	1	/P	Spacer,.260 x.372 x 1.030
35	754-0467	1	S	Belt, V-Type
36	754-0468	1	S	Belt, V-Type
37	756-04224	1	/P	Pulley, Flat Idler, 2.75
38	756-0665	1	S	Pulley, V-Type, 8.50
39	783-04442	1		Idler Bracket, Center Double
40	783-0667B	1		Torque Bracket, Transmission,
41	783-0669	1	S	Bracket, Idler
42	647-0031B	1	S	Control Assembly, Brake
43	647-0032A	1	S	Control Assembly, Speed
44	683-0266	1		Pedal Assembly, Control
45	710-1260A	1	/P	Screw, 5/16-18, 0.750
46	710-1611B	1	/P	Screw, 5/16-18, 0.750
47	711-04159B	1		Pin, 3/8-16 x 2.68
48	712-3004A	1	/P	Nut, Flange Lock, 5/16-18, Gr5
49	714-0104	1	S	Pin, Cotter,.072 Dia. x 1.13
50	714-0111	1	S	Pin, Cotter, 3/32, 1.0
51	732-0335	1		Spring, Compression,.405 x 1.17
52	732-0955	1		Spring, Extension,.50 OD x 1.41
53	735-0662	1		Pad, Drive Control

14AP80TP766 Big Red GT50 (2006)
Drive, Controls and Rear Wheels

Page 8 of 21

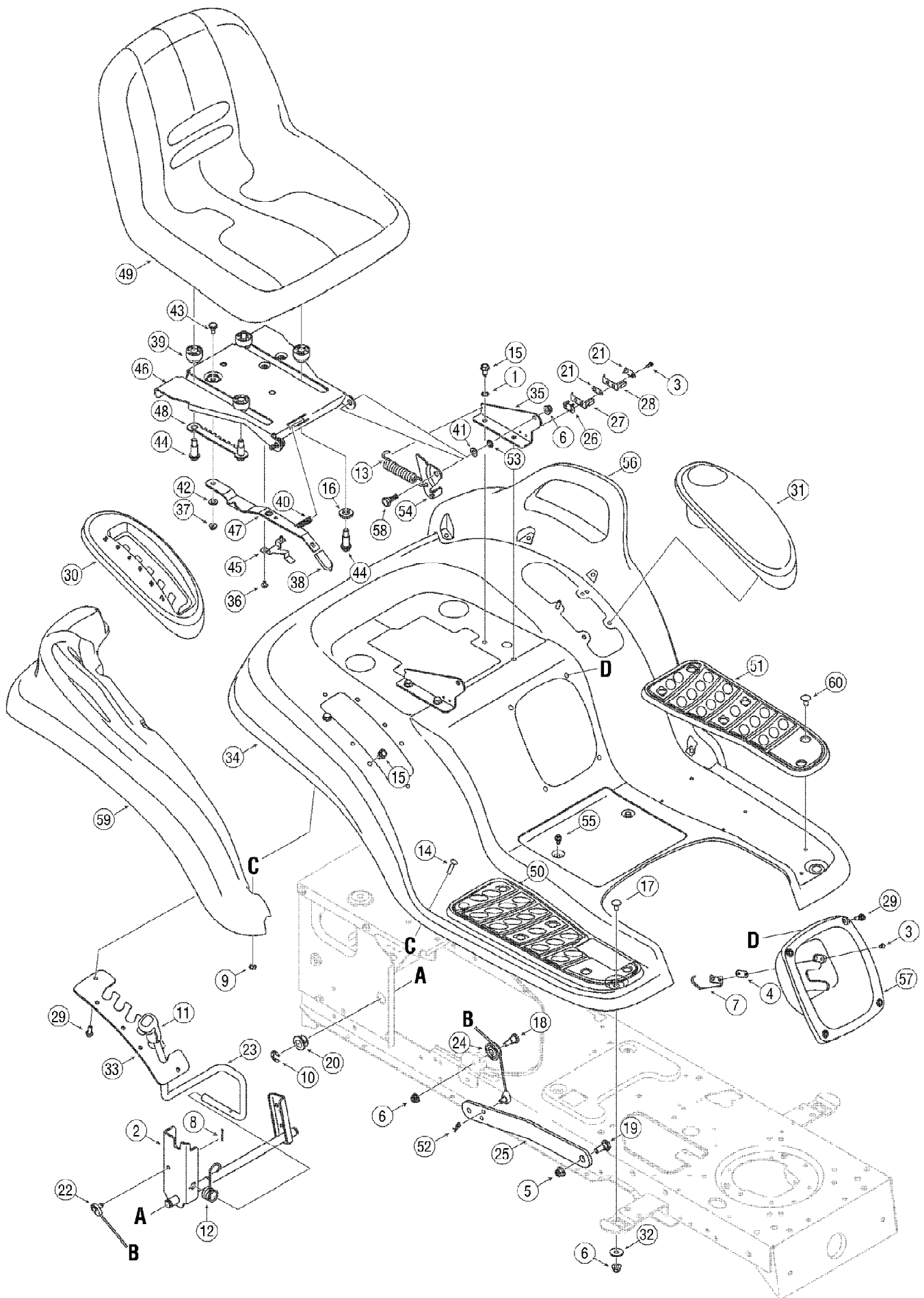
Ref #	Part Number	Qty	S/P/F	Description
54	735-3049	1	S	Pad, Brake
55	736-0119	1	S	Washer, Lock, 5/16, Regular Duty
56	736-0187	1	/P	Washer, Flat,.64 x 1.24 x.06
57	736-0262	1	/P	Washer, Flat,.385 x.870 x.092
58	736-3008	1	S	Washer, Flat,.344 x.750 x.120
59	738-0155	1	S	Shoulder Screw.437 Dia x.162
60	738-0380	1	S	Screw, Shoulder,.50 x.27, 3/8-16
61	741-0225	1	S	Bearing, Hex Flange
62	741-3065B	1	/P	Bearing, Hex Flange,.628 ID, Split
63	747-04093	1		Control Rod, Brake Lock
64	747-04096	1		Control Rod, Cruise
65	747-04521	1		Pedal, Brake
66	748-04039B	1	/P	Latch, Cruise
67	783-04612	1	S	Bracket, Steering Support
68	783-0732A	1	/P	Bracket, Lockout
69	618-04200	1		Pulley Bracket
70	710-0627	1	/P	Screw, 5/16-24,.75
71	710-3015	1	/P	Screw, 1/4-20,.75
72	712-3027	1	S	Nut, Flange Lock, 1/4-20
73	718-04012	1	/P	Bearing Cup
74	736-0362	1	/P	Washer, Flat,.330 x 1.25 x.06
75	741-0600	1	S	Ball Bearing
76	710-3011	1	/P	Screw, 3/8-16, 2.25
77	748-0415B	1	/P	Spacer,.385 x.635 x 1.54
78	712-0181	1	S	Nut, Jam Lock, 3/6-16
79	634-0202A	1		Wheel Assembly, 23 x 10.5 x 12
79	734-04147	1	S	Tire, 23 x 10.5 x 12 Not shown
79	634-3178	1		Rim Assembly Not shown
79	918-04317	1	/P	Wheel Hub Assembly, Double D Not shown
80	712-3050	1	/P	Lug Nut, 7/16-14



14AP80TP766 Big Red GT50 (2006)
Engine Accessories

Page 10 of 21

Ref #	Part Number	Qty	S/P/F	Description
1	710-0227	1	/P	Screw, #8-18, 0.500
2	710-0599	1	/P	Screw, Hex, 1/4-20, 0.500
3	726-0205	1	/P	Clamp
4	710-0654A	1	/P	Screw, Hex, 3/8-16 x 1.00
5	751-10161	1		Muffler, Dual Inlet
6	725-0157	1	/P	Cable, Tie, 3/16 x.05 x 7.4
7	751-10349	1		Fuel Hose, Low Permeation
8	712-3005	1	S	Hex Flange Nut, 3/8-16
9	736-0300	1	S	Lock Washer,.406 x.875 x.059
10	751-0564B	1	/P	Deflector, Muffler
11	783-04573	1		Muffler Bracket, LH
12	783-04574	1		Muffler Bracket, RH
13	783-04783	1	S	Heat Shield
14	751-3140	1	S	Drain, Oil
15	751-3141	1	S	Extension Hose, Oil Drain
16	751-3142	1		Cap, Oil Drain
17	683-04256	1	S	Shield, Muffler
18	751-10007	1		Pipe, Exhaust, LH
19	751-10006	1		Pipe, Exhaust, RH
20	728-04000	1		Rivet, Pop,.188 x.325
21	710-0642	1	/P	Screw, Hex, 1/4-20, 0.750
22	751-10353	1		Extension, Deflector



14AP80TP766 Big Red GT50 (2006)
Fender and Seat

Page 12 of 21

Ref #	Part Number	Qty	S/P/F	Description
1	736-0607	1	/P	Wash, Lock, 5/16
2	753-06260	1	/P	Lift Shaft Assembly Replaces 683-04079
3	710-0227	1	/P	Screw, AB #8-18 x.500
4	726-0320	1	S	Plate, Insulator Nut
5	712-04065	1	/P	Flange Lock Nut, 3/8-16
6	712-04063	1	/P	Flange Lock Nut, 5/16-18
7	725-1713	1		Switch, Spring
8	714-0104	1	S	Internal Cotter Pin
9	712-0271	1	/P	Nut, Sems, 1/4-20
10	716-0106A	1		E-Ring
11	720-0311	1		Handle Grip
12	732-0874	1	/P	Torsion Spring
13	732-1184	1	/P	Extension Spring,.84 x 4.6
14	710-0932	1	/P	Screw, Carriage, 1/4-20 x 1.00
15	710-0604A	1	/P	Screw, TT, 5/16-18 x.625
16	736-3019	1		Flat Washer,.31 x 1.062 x.134
17	710-0451	1	/P	Bolt, Carriage, 5/16-18 x.750
18	738-0138A	1	/P	Hex Cap Screw, 5/16-18 x.62
19	738-0380	1	S	Shoulder Screw, 3/8-16
20	741-0225	1	S	Hex Flange Bearing
21	726-0279	1		Plate, Insulator
22	746-0968	1		Lift Cable, 16.16
23	747-04155	1		Lift Handle
24	756-1154	1		Roller Pulley
25	783-0678A	1	S	Arm Lift
26	726-0278	1		Plate, Insulator Boss
27	725-1439	1		Switch, Inner, Seat Spring
28	725-1303	1	S	Switch, Outer, Seat Spring
29	710-0895	1		Self-tapping Screw, 1/4-15 x.75
30	731-1990	1		Lift Lever Cover
31	731-1993A	1		Cover w/ Cup Holder
32	736-3078	1	/P	Flat Washer,.349 x 1.0 x.063
33	783-0677B	1		Lift Adjustment Bracket
34	783-04331A	1		Fender
35	783-1489B	1	/P	Seat Mounting Bracket
36	710-1268	1	/P	Screw, #10-16 x.375
37	712-04064	1	/P	Flange Lock Nut, 1/4-20
38	720-0309A	1	/P	Seat Adjuster Grip
39	731-04074	1		Spacer
40	732-0499	1		Compression Spring,.41 x 1.5
41	736-0242	1	/P	Washer, Bell,.340 x.872 x.060
42	736-0204	1	/P	Flat Washer,.344 x.62 x.03
43	738-0137A	1	S	Shoulder Screw,.340 x.285,1/4-20
44	738-0966A	1	/P	Shoulder Bolt,.50 x.925, 3/8-16
45	783-0611	1		Seat Stop
46	783-0738C	1	S	Seat Pivot Bracket
47	783-0739A	1	S	Seat Adjustment Lever
48	783-0753	1		Seat Adjustment Selector
49	757-04010	1	S	High Back Seat, Black
50	735-0656	1		RH Foot Pad
51	735-0657	1		LH Foot Pad
52	714-0111	1	S	Cotter Pin
53	726-0201	1		Nut, Spd.,.3125 ID

14AP80TP766 Big Red GT50 (2006)
Fender and Seat

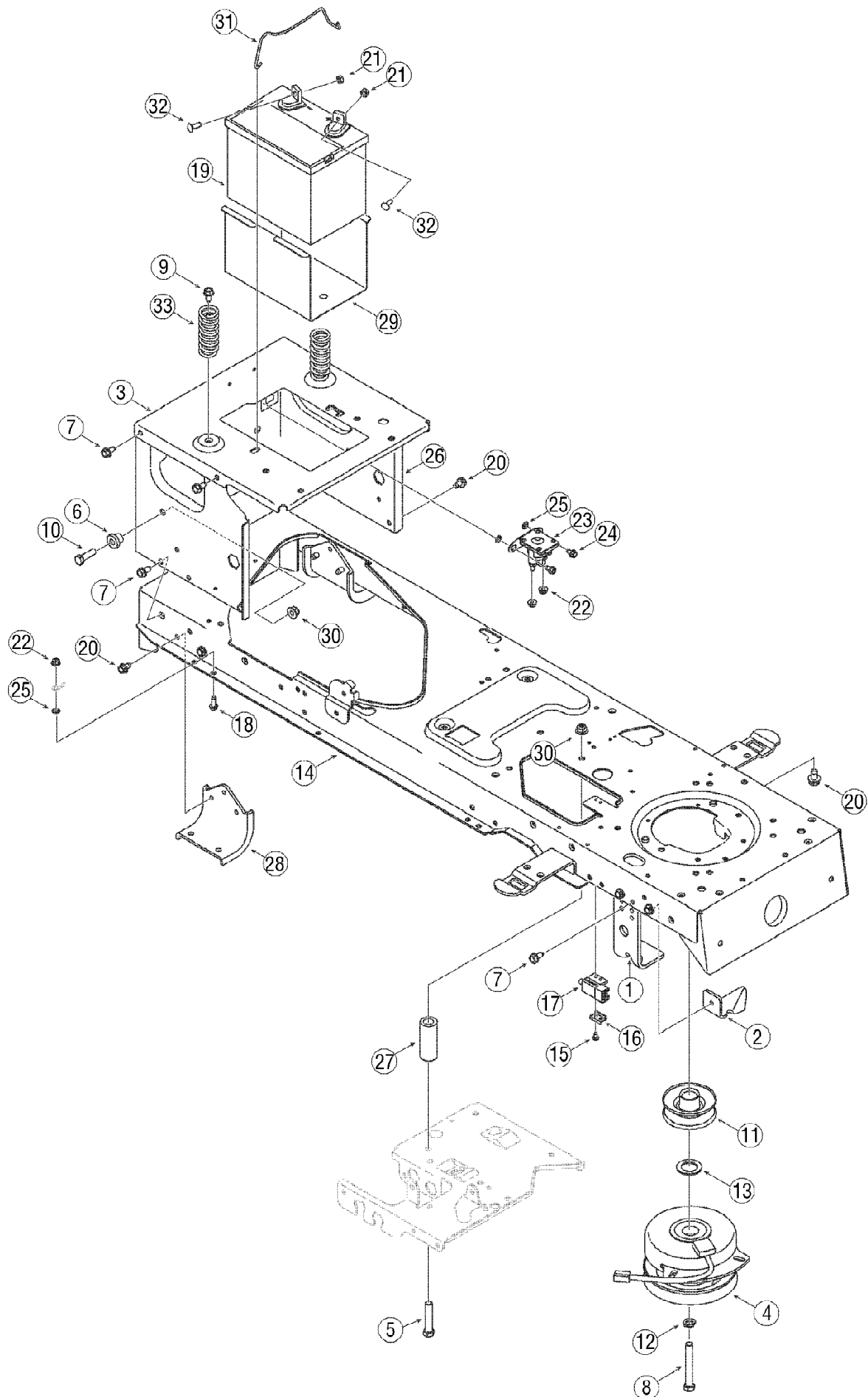
Page 13 of 21

Ref #	Part Number	Qty	S/P/F	Description
54	783-0209D	1	/P	Seat Lift Bracket
55	710-0599	1	/P	Screw, TT, 1/4-20 x 0.5
56	731-2619	1		LH Fender Flare
57	731-2480A	1	/P	Shift Lever Cover
58	738-0296	1	S	Shoulder Screw,.437 x.286
59	731-2618	1		RH Fender Flare
60	726-3046	1	/P	Foot Pad Clips

14AP80TP766 Big Red GT50 (2006)
Hood and Fuel Tank

Page 15 of 21

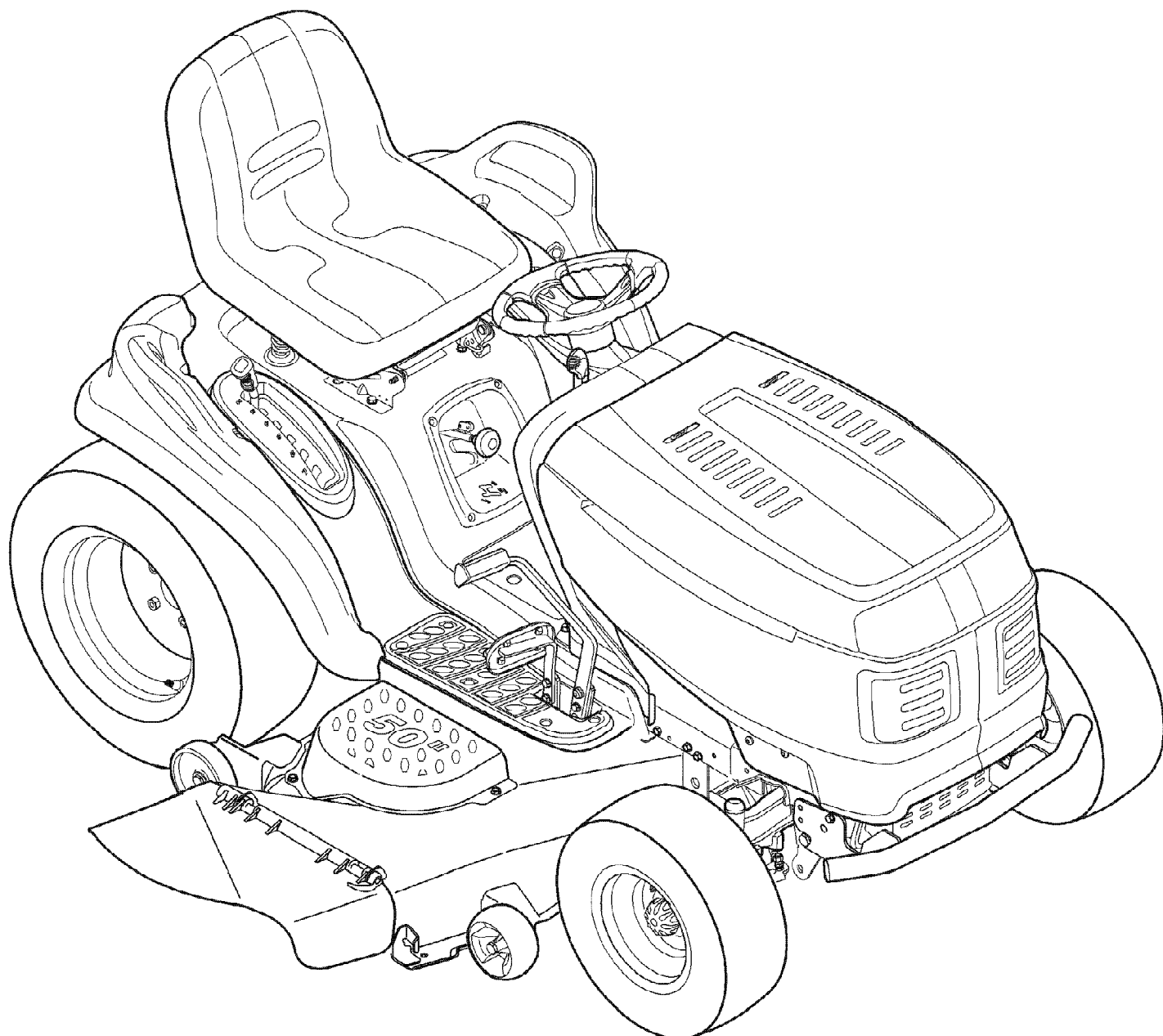
Ref #	Part Number	Qty	S/P/F	Description
1	710-04593	1		Screw TT, 5/16-18 x.375
2	710-04599	1		Screw #8-18 x.500
3	710-0599	1	/P	Screw TT, 1/4-20 x.500
4	710-0623	1	/P	Screw TT, 3/8-16 x.750
5	710-0642	1	/P	Screw TT, 1/4-20 x.750
6	710-0726	1	/P	Screw AB, 5/16-12 x.750
7	710-0751	1	/P	HH Cap Screw 1/4-20 x.620
8	712-0292	1	/P	Clip Nut 1/4-20
9	712-04064	1	/P	Flange Lock Nut 1/4-20
10	731-05357	1	S	Lens
11	738-04091	1	S	Shoulder Screw.43x.29:TT:5/16-18
12	783-04606A	1		Pivot Bracket
13	783-04827	1		Hood
14	783-04828	1		RH Side Panel
15	783-04829	1		LH Side Panel
16	783-04840	1		RH Hood Pivot Bracket
17	783-04841	1		LH Hood Pivot Bracket
18	783-05116	1	S	Support Hood Bracket
19	710-0895	1		Screw HL, 1/4-15 x.750
20	710-1017	1	/P	Screw AB, 1/4-14 x.625
21	710-1611B	1	/P	Screw TT, 5/16-18 x.750
22	710-3217	1	/P	Screw #8-32 x.375
23	712-0142	1	/P	Hex Nut #8-32
24	731-04728	1		Brake Dash Lever
25	731-04729	1		Cruise Dash Lever
26	731-05005B	1		Dash Panel
27	731-1857	1		Control Knob
28	736-0270	1	/P	Bell Washer.265 x.75 x.062
29	747-1196	1		Lever Rod
30	783-04285D	1	S	RH Plate Dash Support
31	783-04323D	1		LH Plate Dash Support
32	683-04219	1	S	Bumper
33	712-04065	1	/P	Flange Lock Nut 3/8-16
34	731-05598	1		Bumper Cap
35	738-0143	1	/P	Shoulder Screw.498 x.340 x 3/8-16
36	710-0642	1	/P	Screw TT, 1/4-20 x.75
37	747-04161	1		Tank Support Rod
38	751-0603	1	S	Fuel Cap
39	751-10283	1		Fuel Tank, 3 Gal.
40	725-0963	1	S	Miniature Lamp, 12V
41	725-1649	1	S	Socket, Lamp
42	746-1086	1	S	Throttle Cable 39-inch
43	725-04036B	1	S	Systems Indicator Monitor w/Hour Meter
44	725-04174	1	S	Electric PTO Switch
45	746-04132	1	S	Choke Control 37.5" x 2
46	725-1744	1	S	Ignition Key
46	725-1745	1	S	Ignition Key w/ Plastic Cover
47	725-04227A	1	S	Ignition Switch Module
	629-04083	1	S	Headlight Wire Harness (not pictured)
	725-04336	1	S	Tractor Wire Harness (not pictured)
	725-0157	1	/P	Cable Tie (not pictured)



14AP80TP766 Big Red GT50 (2006)
PTO Battery and Frame

Page 17 of 21

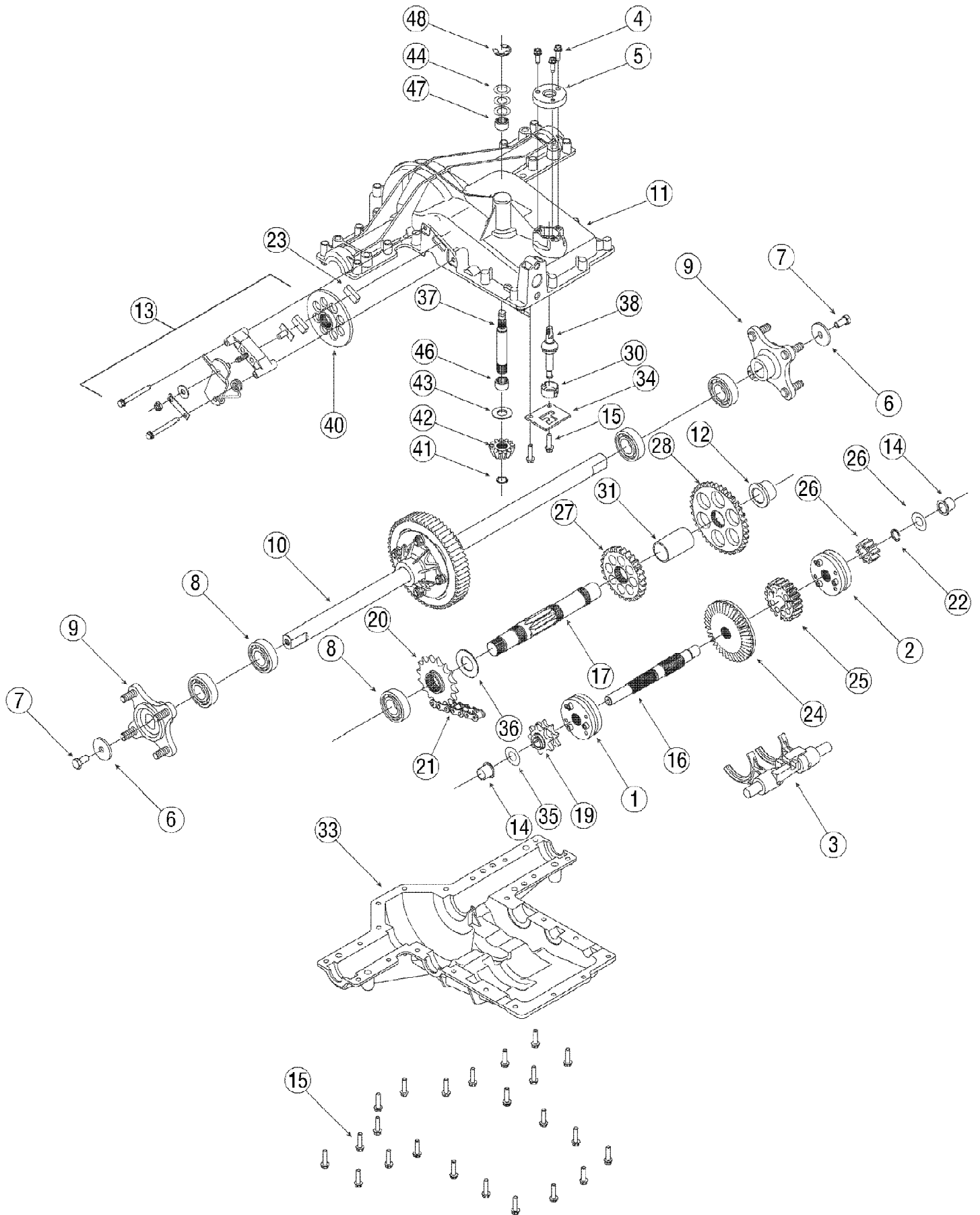
Ref #	Part Number	Qty	S/P/F	Description
1	783-04467	1		Up Stop Deck Bracket
2	783-04419B	1	S	Clutch Bracket
3	783-04329A	1		Seat Frame Bracket
4	717-04174	1	S	Electric Clutch
5	710-3011	1	/P	Hex Screw, 3/8-16 x 2.25
6	738-04058	1		Spacer, Shldr,.38 x 1.0 x.70
7	710-0726	1	/P	AB Screw, 5/16-12 x.75
8	710-04379A	1		Hex Screw, 7/16-20 x 3.50
9	710-1260A	1	/P	Screw, LD, 5/16-18 x.750
10	710-3005	1	/P	Screw, 3/8-16 x 1.25
11	756-0639A	1	/P	Engine Pulley
12	736-0171	1	S	Lock Washer
13	736-0277	1		Flat Washer, 1.031 x 1.620 x.095
14	683-04173A	1	S	Lower Frame Assembly
15	710-0224	1	S	AB Screw #10-16 x 0.5
16	17962	1		Switch Plate
17	725-04039	1	S	Switch
18	710-0642	1	/P	TT Screw 1/4-20 x 0.75
19	725-1750A	1	S	12 V Battery, 235 CCA
20	710-0607	1	/P	TT Screw 5/16-18 x 0.5
21	712-0271	1	/P	Hex Sems Nut, 1/4-20
22	712-04064	1	/P	Flange Lock Nut, 1/4-20
23	725-1426A	1	S	Solenoid, 12-Volt, 100 Amp
24	710-0599	1	/P	Self Tapping Screw, 1/4-20 x.5
25	736-0222	1	S	Lock Washer, 1/4
26	783-04811A	1		Upper Frame
27	748-0415B	1	/P	Spacer
28	783-0693	1		Axle Bracket
29	783-0349	1		Battery Tray
30	712-04065	1	/P	Flange Lock Nut, 3/8-16
31	747-04121A	1		Battery Hold Rod
32	710-0703	1	/P	Screw, Carriage, 1/4-20 x.75
33	732-04035	1		Compression Spring, 1.28 x 3.125



14AP80TP766 Big Red GT50 (2006)
Quick Reference

Page 19 of 21

Ref #	Part Number	Qty	S/P/F	Description
	759-3336	1	/P	Spark Plug
	KH-12-050-01-S	1	/P	Oil Filter
	N/A	1		Pre Filter
	KH-32-083-03-S	1		Air Filter
	KH-25-050-22-S	1		Fuel Filter
	751-0603	1	S	Fuel Cap
	725-1426A	1	S	Solenoid
	618-04126	1	S	Deck Spindles
	742-04053A	1	S	Blades
	712-0417A	1	/P	Blade Nut
	734-0973	1	/P	Deck Wheels - Rear
	734-04155	1		Deck Wheels - Front
	723-0448A	1	S	Ball Joints
	725-1745	1	S	Ignition Keys
	746-1086	1	S	Throttle Cable
	746-0968	1		Lift Cable
	754-0468	1	S	Upper Drive Belt
	754-0467	1	S	Lower Drive Belt
	754-04107	1	S	Deck Spindle Belt
	N/A	1		PTO Belt
	725-04039	1	S	Saftey Switch - Brake
	725-04039	1	S	Saftey Switch - Deck
	631-04070A	1	/P	Discharge Chute
	N/A	1		Mulch Plug
	725-1750A	1	S	Battery



14AP80TP766 Big Red GT50 (2006)
Transmission Assembly

Page 21 of 21

Ref #	Part Number	Qty	S/P/F	Description
1	618-0225	1		Reverse Collar Assembly
2	618-0226	1		Hi-Lo Collar Assembly
3	918-04156	1	/P	Shift Fork Assembly
4	910-0642	1	S	Self-tapping Screw, 1/4-20 x.75
5	718-04053	1	S	Shift Cover
6	936-0227	1	/P	Flat Washer
7	710-3119	1	/P	Lock bolt 3/8-16 x 0.75
8	741-0681	1		Ball Bearing
9	918-04317	1	/P	Wheel Hub Assembly, DD
10	918-04142	1		Differential Axle Assembly
11	619-04081	1	S	Upper Housing
12	941-0476	1	/P	Flanged Bearing
13	961-0012	1	/P	Brake Assembly
14	741-04085	1		Flanged Bearing
15	710-0788	1	/P	Screw 1/4-20 x 1.0
16	711-1051A	1	/P	Drive Shaft
17	711-1216	1		Output Shaft
19	913-0446	1	/P	9-tooth Sprocket
20	913-0447	1	/P	16-tooth Sprocket
21	913-0448	1	/P	22-link Chain,.625
22	916-0131	1	/P	External Snap Ring
23	917-0678	1	/P	Brake Pad
24	917-1438A	1	/P	41-tooth Bevel Gear
25	917-1439A	1	/P	20-tooth Spur Gear
26	717-1440	1		10-tooth Spur Gear
27	717-04109	1		27-tooth Spur Gear
28	717-04110	1		37-tooth Spur Gear
30	718-0504	1		Shifter Insert
31	718-0505	1		Shifter Cover
33	719-04083	1	S	Lower Housing
34	718-0540	1		Lockout Plate
35	936-0337	1	/P	Flat Washer, 5/8 x 1.0
36	736-3046A	1		Flat Washer, 1.01 x 1.86 x.060
37	711-1235	1		Input Shaft
38	747-1140	1	/P	Shift Lever
40	761-0215	1		Disc Brake
41	916-0114	1	/P	Retaining Ring,.56
42	717-1463A	1	/P	13-tooth Bevel Gear
43	936-0335	1	/P	Flat Washer
44	936-0336	1	/P	Flat Washer, 5/8 x 1.0 x.030 as required
44	936-0337	1	/P	Flat Washer, 5/8 x 1.0 x.040 as required
44	936-0349	1	/P	Flat Washer, 5/8 x 1.0 x.020 as required
46	941-0335	1	/P	Needle Bearing
47	741-0696	1	/P	Needle Bearing
48	916-0231	1	/P	E-ring, .75