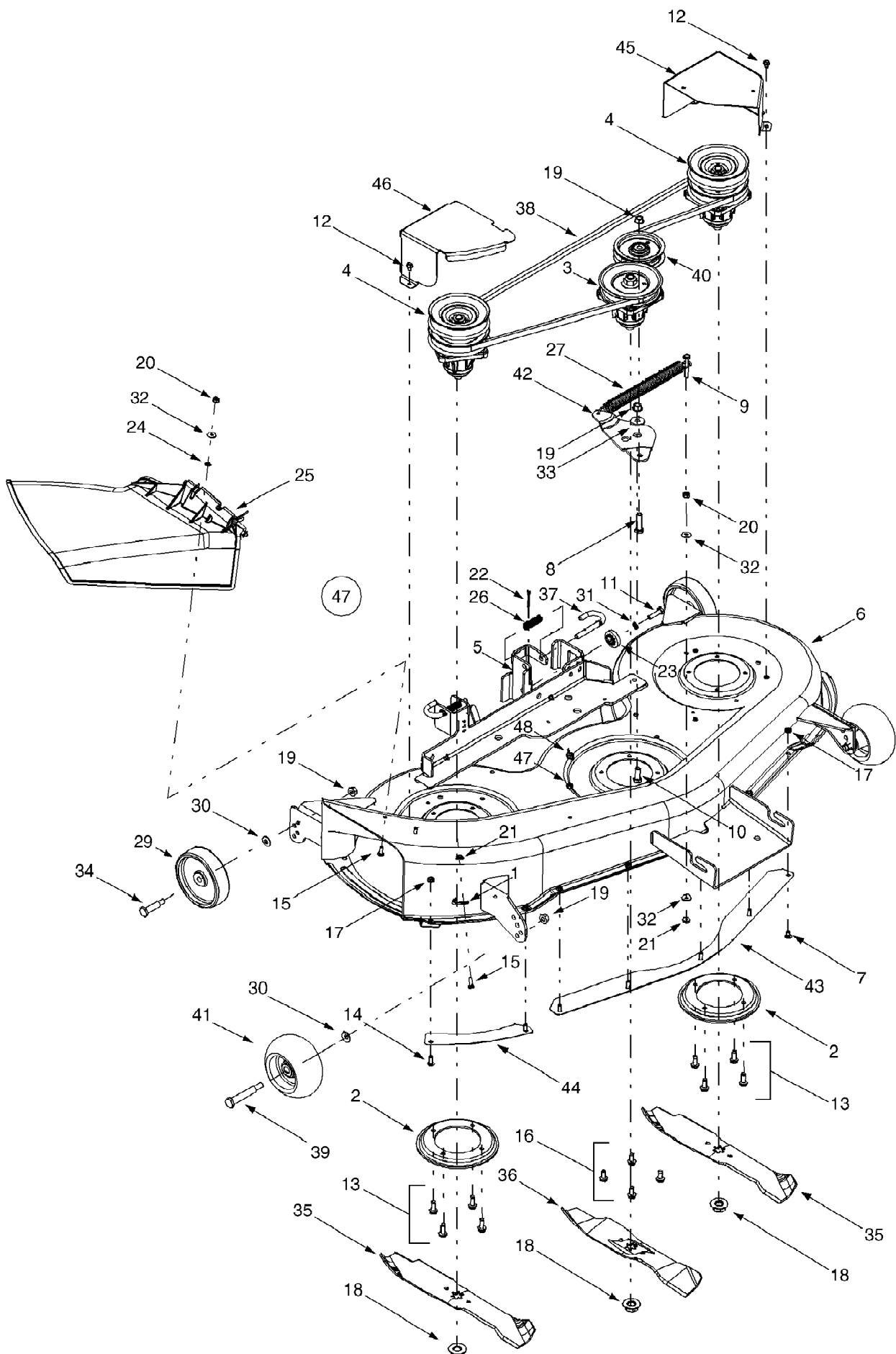


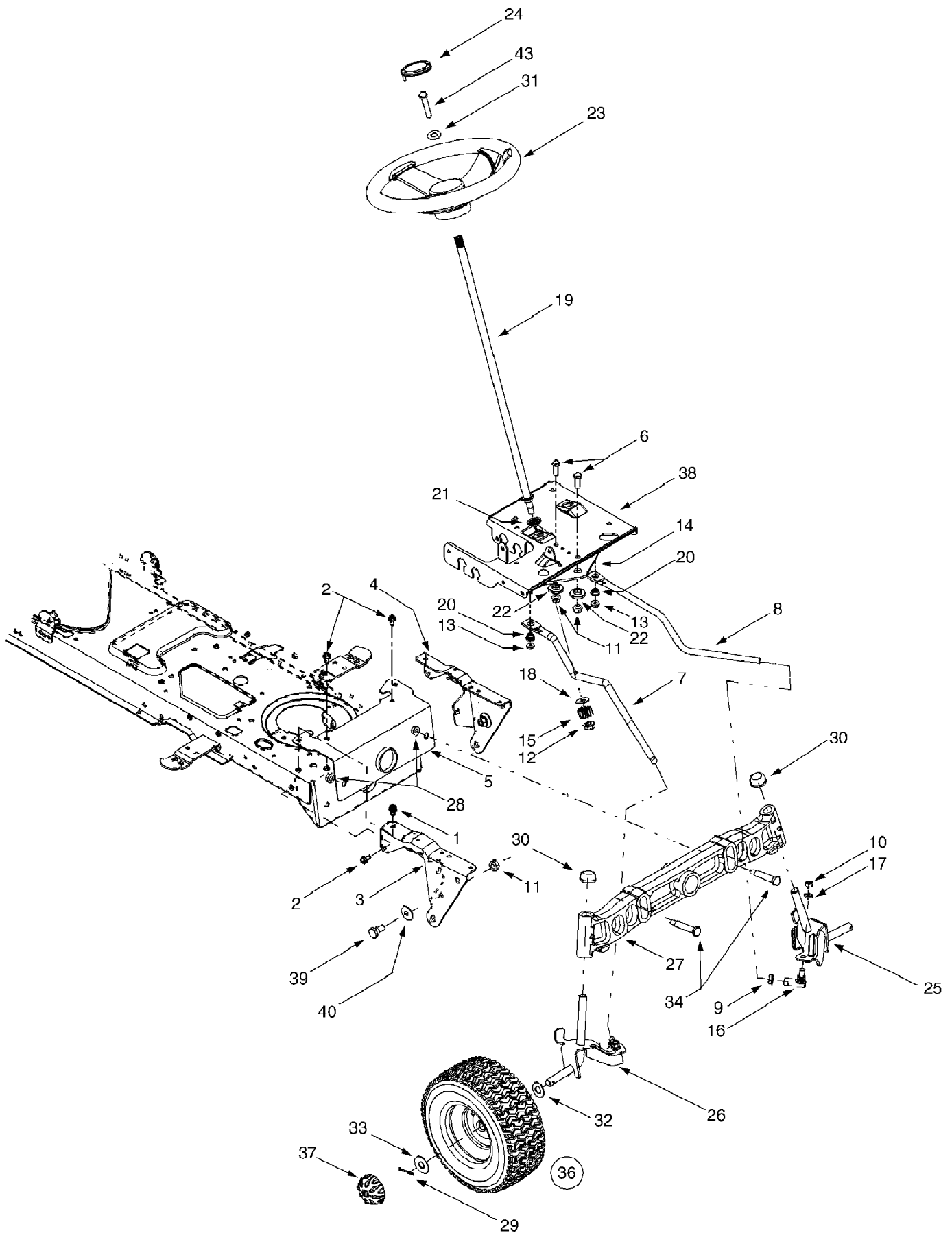
14AB809H063 22HP Garden Tractor (2002)
46" Deck



14AB809H063 22HP Garden Tractor (2002)
46" Deck

Page 2 of 19

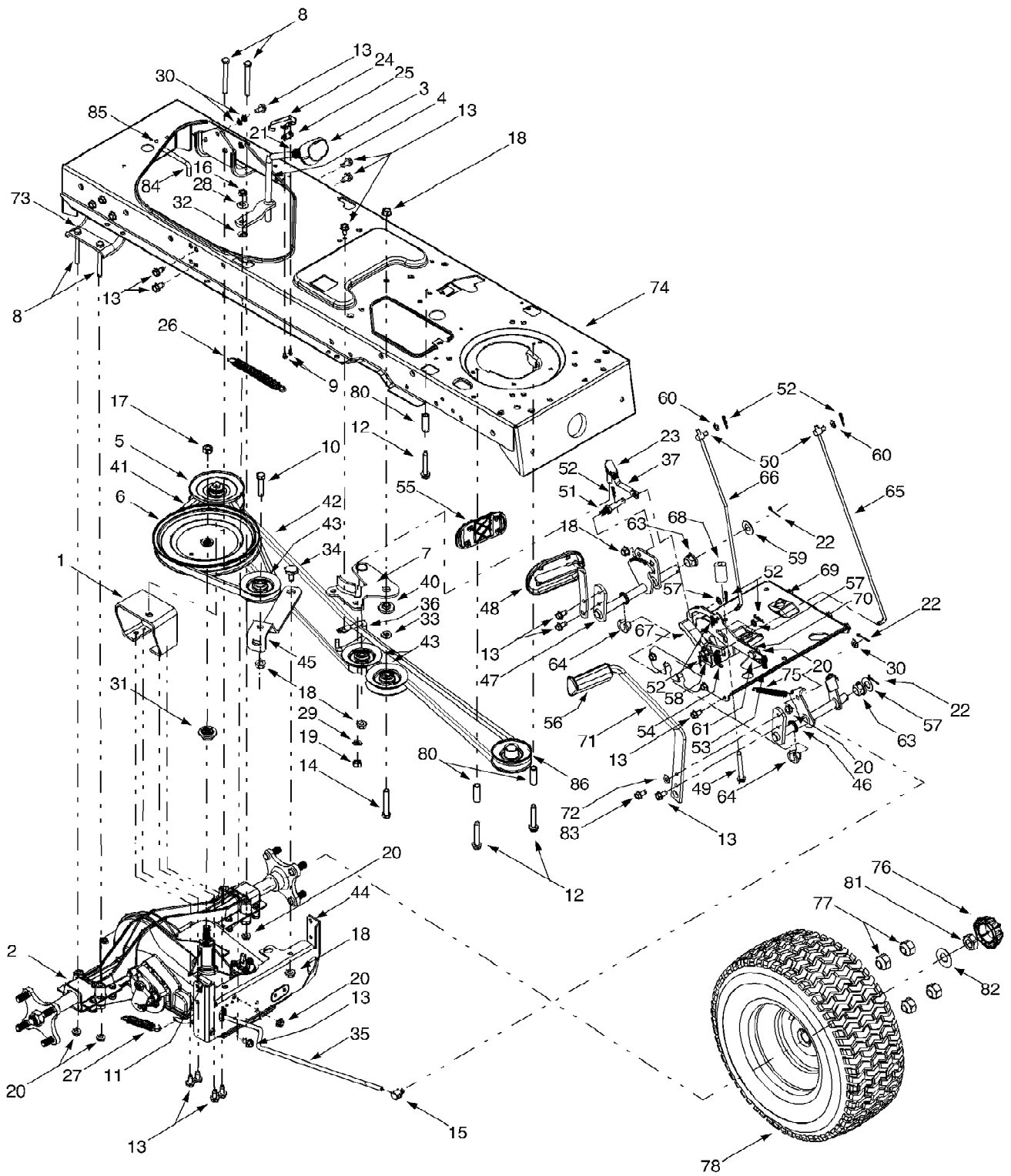
Ref #	Part Number	Qty	S/P/F	Description
1	16606	1	S	Retainer Hook
2	17982	1	S	Spindle Reinforcement Plate
3	618-0430A	1	S	Spindle Assembly, 5.0 Dia.
	756-1187	1		Pulley Only
4	618-0431	1	S	Double Pulley Spindle Assembly
	756-0603	1	/P	Double Pulley Only
5	683-0254	1	S	Deck Adjustment Bracket Assembly
6	683-0199C	1	/P	46-inch Deck Shell
7	710-0167	1	/P	Carriage Screw, 1/4-20 x .50
8	710-0344	1	/P	Hex Cap Screw, 3/8-16 x 1.5
9	710-0501	1	/P	Hex Cap Screw, 1/4-20 x 2.0
10	710-0514	1	/P	Hex Cap Screw, 3/8-16 x 1.0
11	710-0528	1	/P	Hex Cap Screw, 5/8-18 x 1.25
12	710-0599	1	/P	Self-tapping Screw, 1/4-20 x .5
13	710-0650	1	/P	Self-tapping Screw, 15/16-18 x .875
14	710-0703	1	/P	Hex Screw, 1/4-20 x .75
15	710-0751	1	/P	Hex Cap Screw, 1/4-20 x .62
16	710-1260A	1	/P	Self-tapping Screw, 5/16-18 x .75
17	712-0271	1	/P	Hex Sems Nut, 1/4-20
18	712-0417A	1	/P	Hex Flange Nut, 5/8-18
19	712-0431	1	S	Flange Lock Nut, 3/8-16
20	712-3006	1	/P	Hex Nut, 1/4-20
21	712-3027	1	S	Hex Flange Lock Nut, 1/4-20
22	714-0470	1	S	Cotter Pin, 1/8 x 1.25
23	717-1553A	1	S	Deck Adjustment Gear
24	726-0233	1	/P	Push Nut. .25 x .5
25	731-1032B	1	S	Side Discharge Chute Assembly
26	732-0306	1	S	Compression Spring, .406 x .531 x 1.75
27	732-0594A	1	S	Extension Spring, .91 x 7.3
?28	710-0578	1	/P	Screw, 1/4-20 x 1.5
29	734-0973	1	/P	Deck Wheel, 5 x 1.38
30	736-0105	1	/P	Bell Washer, .401 x .87 x .063
31	736-0119	1	S	Lock Washer, 5/16
32	736-0270	1	/P	Bell Washer, .265 x .75 x .062
33	738-0347	1	S	Shoulder Spacer, .625 x 1.16
34	738-0373	1	S	Shoulder Screw
35	742-0611	1	S	Three-in-one Blade, Star Center, 16.28"
36	742-0612	1	S	Three-in-one Blade, Star Center, 14.88"
37	747-1116	1	/P	Deck Release Pin
38	754-0349	1	S	Deck Belt, Poly
39	738-3056	1	S	Shoulder Screw, 1/2-2.5
40	756-0627B	1	S	Idler Pulley, 3.5
41	734-3058B	1	S	Deck Wheel, 5.0
42	783-0139A	1	S	Idler Bracket
43	783-0141	1		Center Deck Skirt
44	783-0142	1	S	RH Deck Skirt
45	783-0747	1	S	LH Belt Cover
46	783-0805A	1	S	RH Belt Cover
47	753-0875	1	/P	46-inch Deck Assembly Complete
48		1		UNKNOWN



14AB809H063 22HP Garden Tractor (2002)
Axle, Front Wheels, Steering

Page 4 of 19

Ref #	Part Number	Qty	S/P/F	Description
1	710-1260A	1	/P	Self-tapping Screw, 5/16-18 x .75
2	710-0604A	1	/P	Self-tapping Screw, 16-18 x .625
3	783-0726B	1	S	RH Pivot Support Bracket
4	783-0727A	1	S	LH Pivot Support Bracket
5	783-0728	1		Pivot Bar Bracket
6	710-0514	1	/P	Hex Cap Screw, 3/8-16 x 1 (Grade 5)
7	711-1408	1		RH Drag Link
8	711-1409A	1	/P	LH Drag Link
9	712-0240	1	S	Jam Nut, 7/16-20 (Grade 2)
10	712-0241	1	/P	Hex Nut, 3/8-24 (Grade 2)
11	712-0431	1	S	Flange Lock Nut, 3/8-16
12	712-0459	1	/P	Flange Lock Nut, 7/16-20
13	712-3004A	1	/P	Flange Lock Nut, 5/16-18
14	717-1550D	1	S	Steering Gear, 11/90 Ratio
15	717-1554	1		Steering Pinion Gear
16	723-0448A	1	S	Ball Joint, 7/16-20
17	736-0169	1	S	Lock Washer, 3/8
18	736-3084	1	/P	Flat Washer, .51 x 1.12 x .06
19	738-1001A	1	/P	Steering Shaft, .625 OD x 24.4
20	741-0475	1	S	Plastic Bushing, .38 ID
21	741-0656	1	S	Hex Flange Bearing, 5/8
22	738-0372B	1	/P	Shoulder Spacer, .38 ID
23	731-2624	1		Steering Wheel, Soft Grip, Three Spoke
24	731-2625	1		Steering Wheel Cap, Round
25	638-0017	1	S	LH Axle Assembly, .75 Diameter
26	638-0018	1	S	RH Axle Assembly, .75 Diameter
27	719-0525B	1	S	Cast Iron Pivot Bar w/ Fittings, .75
28	712-0431	1	S	Flange Lock Nut, 3/8-16
29	714-0162	1	/P	Cotter Pin
30	726-0341	1	/P	Push Cap, .750
31	736-0242	1	/P	Bell Washer, .34 x .872
32	736-0316	1	S	Flat Washer, .78 x 1.59 x .06
33	736-0285	1	/P	Flat Washer, .635 x 1.589 x .06
34	738-1011	1	S	Shoulder Screw, .5 x 2.2, 3/8-16
36	634-0183	1		Wheel Assembly Complete, 16 x 6.5 x 8
36	634-0182	1	S	Rim Only w/ Plastic Bearing
36	734-0255	1	S	Air Valve
36	734-1727	1	/P	Tire Only, Square Shoulder
36	741-0516	1	S	Plastic Flange
36	741-0990	1	S	Plastic Flange w/Fitting
37	731-2290A	1	/P	Hub Cap
38	783-0653E	1	S	Steering Support Bracket
39	738-0143	1	/P	Shoulder Screw, 3/8-16
40	736-0331	1	/P	Bell Washer, .39 x 1.13 x .062
43	710-0643	1	/P	Hex Screw, 5/16-18, 1.00, Gr5



14AB809H063 22HP Garden Tractor (2002)
Drive & Rear Wheels

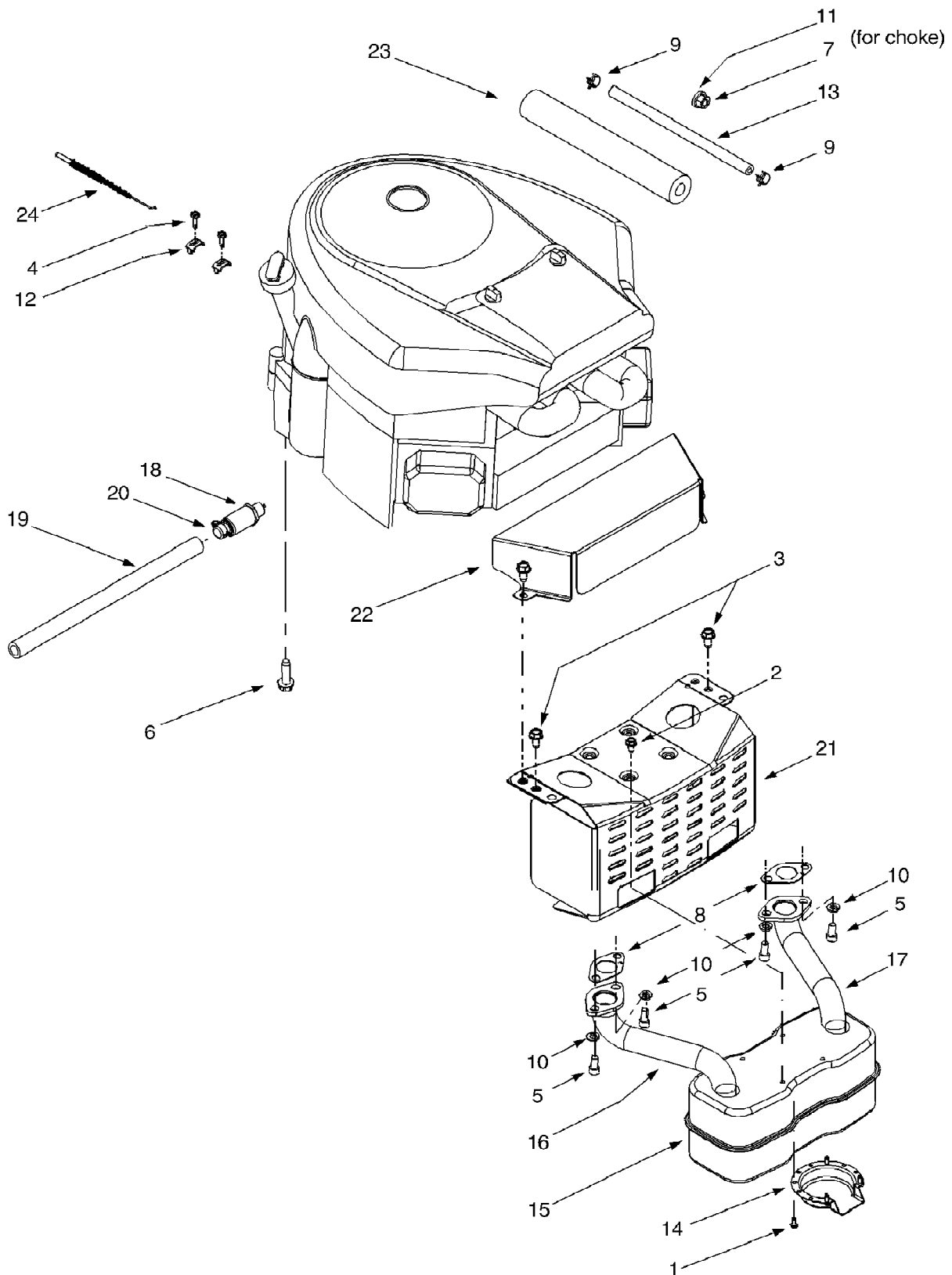
Page 6 of 19

Ref #	Part Number	Qty	S/P/F	Description
1	618-0375	1	S	Variable-speed Bracket Assembly
2	618-0376	1	S	Two-speed Transmission Assembly
3	631-0009A	1	S	Shfter Knob
4	647-0037	1		Shift Lever
5	656-0050	1		Variable-speed Pulley Assembly
6	756-0665	1	S	Transmission Pulley, 8.5
7	683-0251	1		Double-idler Bracket
8	710-0176	1	/P	Hex Cap Screw, 5/16-18 x 2.75
9	710-0227	1	/P	Self Tapping Screw, #8-18 x .5
10	710-0347	1	/P	Hex Cap Screw, 3/8-16 x 1.75
11	710-0805	1	/P	Hex Cap Screw, 5/16-18 x 1.5
12	710-0809	1		Self-tapping Screw, 1/4-20 x 1.25
13	710-0604A	1	/P	Self Tapping Screw, 5/16-18 x .625
14	710-3011	1	/P	Hex Cap Screw, 3/8-16 x 2.25
15	711-0677	1	S	Ferrule, 5/16 x .312 Dia.
16	712-0181	1	S	Hex Jam Nut, 3/8-16
17	712-0702	1	S	Hex Flange Nut, 7/16-20
18	712-0431	1	S	Flange Lock Nut, 3/8-16
19	712-0798	1	/P	Hex Nut, 3/8-16
20	712-3004A	1	/P	Flange Lock Nut, 5/16-18
21	712-3008	1	S	Hex Jam Nut, 3/8-16
22	714-0111	1	S	Cotter Pin
23	723-3018	1	S	Ball Joint, 3/8-24
24	725-1713	1		Spring Switch
25	726-0320	1	S	Insulator Nut Plate
26	732-0384	1	S	Extension Spring, .62 Dia. x 6.12
27	732-0716	1	S	Extension Spring, .59 OD x 4.0
28	736-0105	1	/P	Bell Washer, .401 x .870 x .063
29	736-0169	1	S	Lock Washer, 3/8
30	736-0275	1	S	Flat Washer, 5/16
31	718-0771	1	S	Pulley Hub, 1/2 Spline
32	736-0642	1		Flat Washer, .44 x .75 x .06
33	736-3010	1		Flat Washer, .407 x .812 x .135
34	738-0322	1	S	Shoulder Screw, .625 Dia. x .21
35	747-1122	1		Brake Rod
36	747-1123A	1	/P	Belt Guard
37	747-1127	1		Idler Adjustment Rod, 3/8
?38	710-1026	1	/P	Self-tapping Screw, 1/4-20 x 1.75
?39	747-1185	1		Transmission Belt Guard Rod
40	738-0372B	1	/P	Shoulder Spacer, .380 ID
41	754-0468	1	S	Variable-speed Belt
42	754-0467	1	S	Drive Belt
43	756-0981A	1	S	Flat Idler, 2.75 OD
44	783-0667A	1	S	Transmission Torque Bracket
45	783-0669	1	S	Idler Bracket
46	647-0031	1	S	Brake Control Shaft Assembly
47	647-0032	1	S	Speed Control Shaft Assembly
48	683-0266	1		Drive Pedal Assembly
49	710-1135	1		Self Tapping Screw, 5/16-18 x 2.5
50	711-0736	1	/P	Ferrule, 1/4-20
51	711-1363	1		Pin, 3/8-16 x 2.43
52	714-0104	1	S	Cotter Pin
53	732-0437	1		Compression Spring, .34 OD x 1.0

14AB809H063 22HP Garden Tractor (2002)
Drive & Rear Wheels

Page 7 of 19

Ref #	Part Number	Qty	S/P/F	Description
54	732-0955	1		Extension Spring, .5 OD x 1.41
55	735-0662	1		Drive Pedal Pad
56	735-3049	1	S	Brake Pedal Pad
57	736-0140	1	S	Flat Washer, .281 x .5 x .0625
58	736-0142	1	S	Flat Washer, 9/32 x 1/2 x 1/16
59	736-0187	1	/P	Flat Washer, .64 x 1.24 x .06
60	736-0204	1	/P	Flat Washer, .344 x .062 x .03
61	738-0155	1	S	Shoulder Screw, .437 x 1.62
?62	738-0507B	1	S	Shoulder Screw, .5 x .434
63	741-0225	1	S	Hex Flange Bearing
64	741-3065B	1	/P	Split Hex Flange Bearing
65	747-1137	1		Cruise Control Rod
66	747-1138	1		Brake Lock Control Rod
67	748-0413	1		Cruise Latch
68	748-0415B	1	/P	Spacer, 5/16 x 1.54
69	783-0653E	1	S	Steering Support Bracket
70	783-0732	1	S	Drive Lockout Bracket
71	783-0773	1		Brake Pedal
72	736-3008	1	S	Flat Washer, .344 x .750 x .120
73	783-0693	1		Axle Bracket
74	683-0304A	1		Lower Frame Assembly
75	732-0963	1		Extension Spring, .5 OD x 6.37
76	731-2290	1	S	Hub Cap
77	712-3050	1	/P	Lug Nut, 7/16-14
78	634-0132	1		Wheel Assembly Complete, 23 x 9.5 x 12
	634-0182	1	S	Rim Only
	734-0255	1	S	Air Valve
	734-1728	1	/P	Tire Only, Square Shoulder
?79	750-0768	1		Split Spacer, .25 x .37 x 1.32
80	750-0566A	1	/P	Spacer, .372 x .26 x 1.03
81	712-3026	1	S	Jam Nut, 3/4-16
82	736-0316	1	S	Flat Washer, .78 x 1.59 x .06
83	710-1260A	1	/P	Hex Screw, 5/16-18 x .75
84	747-1185	1		Transmission Belt Guard Rod
85	710-0599	1	/P	Self Tapping Screw, 1/4-20 x .5
86	756-0639A	1	/P	Engine Pulley, 3.56"



14AB809H063 22HP Garden Tractor (2002)
Engine Accessories

Page 9 of 19

Ref #	Part Number	Qty	S/P/F	Description
1	710-0227	1	/P	Self-tapping Screw, #8-18 x .5
2	710-0599	1	/P	Self-tapping Screw, 1/4-20 x .5
3	710-0604A	1	/P	Self-tapping Screw, 5/16-18 x .625
4	710-1237	1		Screw, #10-32 x .625
5	710-1314A	1	/P	Socket Cap Screw, 5/16-18 x .625
6	710-1315	1	/P	Self-tapping Screw, 3/8-16 x 1.25
7	712-3017	1	S	Hex Nut, 3/8-16
8	721-0460	1		Exhaust Gasket
9	726-0205	1	/P	Hose Clamp
10	736-0119	1	S	Lock Washer, 5/16
11	736-0300	1	S	Flat Washer
12	751B221535	1	/P	Casing Clamp
13	751-0535	1		Fuel Line Hose
14	751-0564	1	S	Muffler Deflector
15	751-0616	1	S	Muffler, Twin Inlet
16	751-0650	1	S	RH Exhaust Pipe
17	751-0651	1	S	LH Exhaust Pipe
18	751-3140	1	S	Oil Drain Valve
19	751-3141	1	S	Oil Drain Hose
20	751-3142	1		Oil Drain Cap
21	783-0615B	1	S	Muffler Heat Shield
22	783-0625C	1	/P	Engine Heat Shield
23	722-0263	1	S	Foam (fits over fuel line)
24	746-1086	1	S	Throttle Cable

14AB809H063 22HP Garden Tractor (2002)
Frame & Seat

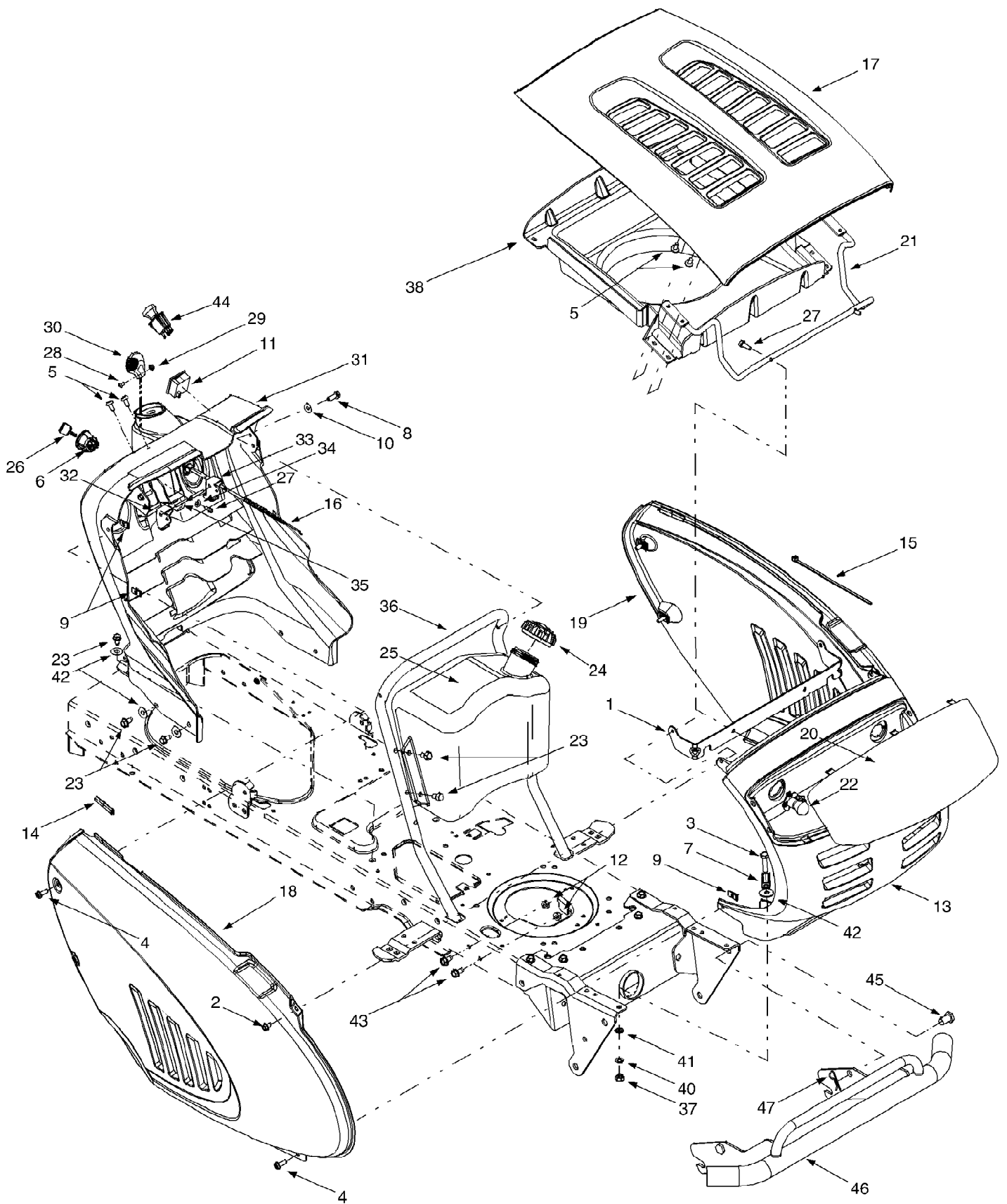
Page 11 of 19

Ref #	Part Number	Qty	S/P/F	Description
1	747-1130B	1	/P	Deck Stabilizer Rod (Model B809H)
	747-1324	1		Deck Stabilizer Rod (Model R809K)
2	683-0197A	1		Lift Shaft Assembly (Model B809H)
	683-0642	1		Lift Shaft Assembly (Model R809K)
3	711-0332	1	S	Clevis Pin, .5 x .78
4	712-0206	1	S	Hex Nut, 1/2-13
5	712-0431	1	S	Flange Lock Nut, 3/8-16
6	712-3004A	1	/P	Flange Lock Nut, 5/16-18
7	712-3083	1	/P	Hex Nut, 1/2-13
8	714-0104	1	S	Internal Cotter Pin
9	714-0145	1	S	Internal Cotter Pin
10	716-0106	1	/P	E-ring
11	720-0311	1		Handle Grip
12	732-0874	1	/P	Torsion Spring
13	732-1184	1	/P	Extension Spring, .84 x 4.6
14	736-0275	1	S	Flat Washer, 5/16
15	736-0921	1	S	Lock Washer, 1/2
16	736-3019	1		Flat Washer, .31 x 1.062 x .134
17	736-3084	1	/P	Flat Washer, .51 x 1.12 x .06
18	738-0138A	1	/P	Hex Cap Screw, 5/16-18 x .62
19	738-0143	1	/P	Shoulder Screw, 3/8-16
20	741-0225	1	S	Hex Flange Bearing
21	741-0715	1	S	Snap Flange Bearing
22	746-0968	1		Lift Cable, 16.16
23	747-1111A	1	/P	Lift Handle
24	756-1154	1		Roller Pulley
25	783-0678A	1	S	Arm Lift
26	783-0720A	1	S	Deck Stabilizer Bracket
27	710-0260A	1	/P	Carriage Bolt, 5/16 x .62
28	710-0604A	1	/P	Self-tapping Screw, 5/16-18 x .625
29	710-0895	1		Self-tapping Screw, 1/4-15 x .75
30	731-1990	1		Lift Lever Cover
31	731-1993	1		Cover w/ Cup Holder
32	736-3078	1	/P	Flat Washer, .349 x 1.0 x .063
33	783-0677	1	S	Lift Adjustment Bracket
34	783-1280	1		Fender
35	783-1489	1	S	Seat Mounting Bracket
36	710-1268	1	/P	Screw, #10-16 x .375
37	712-3027	1	S	Hex Flange Lock Nut, 1/4-20
38	720-0309A	1	/P	Seat Adjuster Grip
39	731-1989	1		Spacer
40	732-0499	1		Compression Spring, .41 x 1.5
41	736-0175	1	S	Spring Washer, .265 x .562 x .025
42	736-0204	1	/P	Flat Washer, .344 x .62 x .03
43	738-0137A	1	S	Shoulder Screw, .340 x .285, 1/4-20
44	738-1007	1		Shoulder Screw, .50 x .50, 3/8-16
45	783-0611	1		Seat Stop
46	783-0738	1	S	Seat Pivot Bracket
47	783-0739	1		Seat Adjustment Lever
48	783-0753	1		Seat Adjustment Selector
49	757-0350	1	S	High Back Seat w/ Drain Holes, Black
50	735-0656	1		RH Foot Pad
51	735-0657	1		LH Foot Pad

14AB809H063 22HP Garden Tractor (2002)
Frame & Seat

Page 12 of 19

Ref #	Part Number	Qty	S/P/F	Description
	726-3046	1	/P	Foot Pad Clips
52	714-0111	1	S	Cotter Pin
53	731-0511	1	/P	Trim Strip
54	783-0209A	1	S	LH Seat Lift Bracket
	17239A	1	S	RH Seat Lift Bracket
55	710-0924	1	/P	Phillips Pan Screw, 1/4-20 x .75
56	712-0292	1	/P	U-type Speed Nut, 1/4-20
57	731-2480	1	S	Shift Lever Cover
58	738-0296	1	S	Shoulder Screw, .437 x .286
59	731-2618	1		RH Fender Flare
60	731-2619	1		LH Fender Flare
61		1		Fender Clips Not used (Use Carriage Bolt)
	910-0932	1	S	Carriage Bolt 1/4-20 x 1.0" Lg
	912-0271	1	S	Hex Nut 1/4-20 Thd



14AB809H063 22HP Garden Tractor (2002)
Hood & Fuel Tank

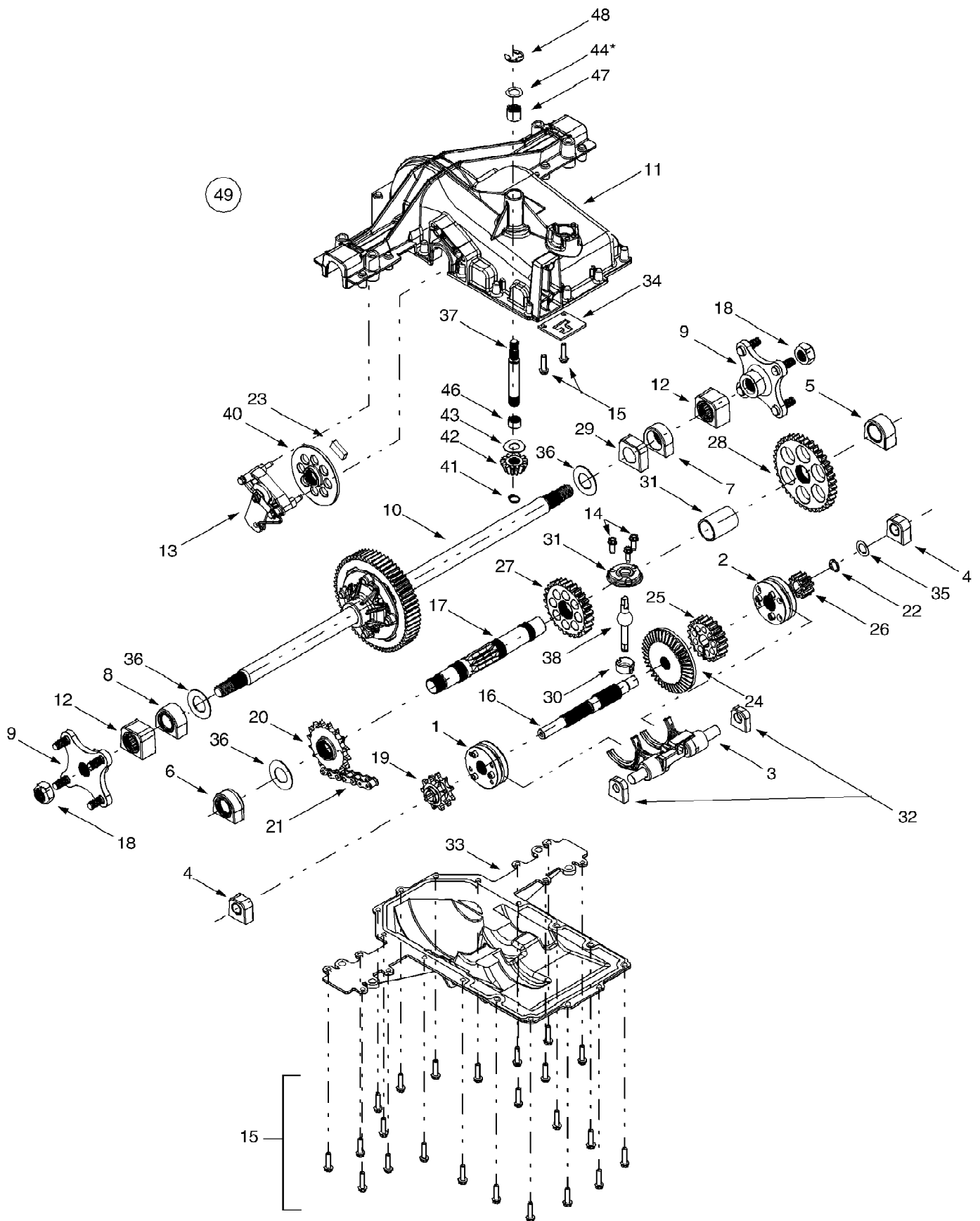
Page 14 of 19

Ref #	Part Number	Qty	S/P/F	Description
1	783-1346	1	S	Grill Support Bracket (9-style)
2	710-0599	1	/P	Self-tapping Screw, 1/4-20 x .5
3	710-0528	1	/P	Hex Cap Screw, 5/16-18 x 1.25
4	710-0924	1	/P	Phillips Pan Screw, 1/4-20 x .75
5	710-1017	1	/P	Truss Phillips Screw, 1/4-20 x .625
6	725-1741	1	S	Ignition Switch
7	726-0272	1	/P	Clamp, 9/16
8	710-0642	1	/P	Self-tapping Screw, 1/4-20 x .75
9	712-0292	1	/P	U-type Speed Nut, 1/4-20
10	736-0270	1	/P	Bell Washer, .265 x .75 x .062
11	725-1976	1	S	Systems Indicator Monitor
12	712-3004A	1	/P	Hex Nut, 5/16-18
13	731-2119A	1	S	Grille (9-style)
14	731-0511	1	/P	Trim Strip, 4
15	725-0175	1		Cable Tie, 3/16 x .05 x 7.4
16	746-1085	1	S	Choke Knob/Cable
17	783-0783	1	S	Hood (9-style)
18	783-0784	1		RH Side Panel (9-style)
19	783-0785	1		LH Side Panel (9-style)
20	731-2637	1	S	Headlight Lens (9-style)
21	747-1162A	1	S	Hood Hinge Rod
22	625-0051	1	S	Headlight Assembly
23	710-0604A	1	/P	Self-tapping Screw, 5/16-18 x .625
24	751-0603	1	S	Fuel Cap
25	751-0658B	1		Fuel Tank, Three-gallon
26	725-1745	1	S	Ignition Key w/ plastic cover
26	725-1744	1	S	Ignition Key w/o plastic cover
27	710-0895	1		Self-tapping Screw, 1/4-15 x .75
28	710-3217	1	/P	Truss Phillips Screw, #8-32 x .375
29	712-0142	1	/P	Hex Nut, #8-32
30	731-1857	1		Throttle Control Knob
31	731-2225C	1	S	Dash Panel, 8/9-style, Electric PTO
32	731-2226	1		Cruise Control Button
33	731-2227	1		Parking Brake Button
34	736-0142	1	S	Flat Washer, 9/32 x 1/2 x 1/16
35	747-1196	1		Brake/Cruise Pivot Rod
36	749-1087A	1	S	Dash Support Tube
37	712-3010	1	S	Hex Nut, 5/16-18
38	731-2270	1	S	Hood Plenum Not standard on all tractors.
39	726-3046	1	/P	Ratchet Clip
40	736-0119	1	S	Lock Washer, 5/16
41	726-0201	1		Speed Nut, .3125
42	736-3078	1	/P	Flat Washer, .349 x 1.0 x .063
43	710-1238	1	/P	Screw, 5/16-18 x .875 (Grade 5)
44	725-1752	1	S	Electric PTO Switch
45	711-0332	1	S	Clevis Pin, .50 x .78
46	768-0010	1	S	Bumper Assembly
47	714-0145	1	S	Internal Cotter Pin
	629-0469A	1	S	Headlight Wire Harness
	629-1067	1		Tractor Wire Harness

14AB809H063 22HP Garden Tractor (2002)
PTO & Battery

Page 16 of 19

Ref #	Part Number	Qty	S/P/F	Description
1	783-0653E	1	S	Steering Support Bracket
2	754-0476	1	S	PTO Belt
3A	717-1709	1	S	Electric PTO Clutch (Model B809H)
3B	717-1774C	1	S	Electric PTO Clutch (Model R809K) Replaces 717-1774, Also requires 736-0277 Flat Washer in this application.
3B	736-0277	1		Washer, Flat, 1.031 x 1.62 x .095 use with 717-1774C
4A	783-1003	1	S	PTO Clutch Anti-rotation Bracket (Model B809H)
4B	783-1487	1	S	PTO Clutch Anti-rotation Bracket (Model R809K)
5	710-0859	1	/P	Hex Cap Screw, 3/8-16 x 2.5
6	710-1238	1	/P	Hex Head Washer Screw, 5/16-18 x .875
7	712-0431	1	S	Flange Lock Nut, 3/8-16
8	732-0978	1		Extension Spring, .62 x 5.62
9	712-3004A	1	/P	Flange Lock Nut, 5/16-18
10	710-3180	1	/P	Hex Cap Screw, 5/16-18 x 1.75
11	712-3010	1	S	Hex Nut, 5/16-18
12	683-0294	1	S	Idler Bracket Assembly
13	738-3056	1	S	Shoulder Screw, 1/2 x 2.5
14	710-3144	1	/P	Hex Cap Screw, 3/8-16 x 2.0
15	710-3025	1	/P	Hex Cap Screw, 5/16-18 x .625
16	738-0785	1	S	Shoulder Spacer, 1.38 x .445 x .36
17	736-0171	1	S	Lock Washer, 7/16
18	710-3157	1	S	Hex Cap Screw, 7/16-20 x 3.25 (Grade 5)
19	725-1706	1	S	12-volt Battery, 270 CCA
20	710-0751	1	/P	Hex Cap Screw, 1/4-20 x .62
21	712-0271	1	/P	Hex Sems Nut, 1/4-20
22	712-3087	1	/P	Wing Nut, 1/4-20
23	725-1426	1	S	Solenoid, 12-Volt, 100 Amp
24	710-0599	1	/P	Self Tapping Screw, 1/4-20 x .5
25	736-0222	1	S	Lock Washer, 1/4
26	783-1033A	1	/P	Hitch Plate
27	748-0415B	1	/P	Spacer, 3/8 x 1.54
28	756-0627B	1	S	Idler Pulley, 3.5
29	783-0349	1		Battery Tray
30	712-0459	1	/P	Flange Lock Nut, 7/16-20
31	783-0891B	1		Deck Stop
32	710-0604A	1	/P	Self Tapping Screw, 5/16-18 x .625
33	732-3080	1	S	Compression Spring, 1.28 x 3.5
34	723-0444	1		Battery Strap
35	738-1020	1		Shoulder Screw, .625 x .5, 7/16-20
36	736-0407	1		Bell Washer, .45 x 1.0 x .062
37	738-1132	1		Shoulder Screw, 1/4-20, .25 x .15
38	736-0322	1	/P	Flat Washer, .45 x 1.25 x .164



Ref #	Part Number	Qty	S/P/F	Description
1	618-0225	1		Reverse Collar Assembly
2	618-0226	1		Hi-Lo Collar Assembly
3	618-0227A	1		Shift Fork Assembly
4	618-0284	1		Detent Block Assembly
5	618-0285	1		Output Bearing Block Assembly
6	618-0286	1		Output Seal Bearing Block Assembly
7	618-0287	1		Inboard Sealed Axle Block Assembly
8	618-0302	1		Inboard Sealed Axle Block Assembly
9	618-0365	1	S	Wheel Hub Assembly
10	618-0368	1	S	Differential Axle Assembly
11	719-0379A	1	S	Upper Housing
12	641-0002A	1	/P	Axle Bearing Block Assembly
13	661-0012	1	S	Brake Assembly
14	710-0642	1	/P	Self-tapping Screw, 1/4-20 x .75
15	710-0788	1	/P	Self-tapping Screw, 1/4-20 x 1.0
16	711-1051A	1	/P	Drive Shaft
17	711-1216	1		Output Shaft
18	712-1329	1	/P	Nut, 3/4-16
19	713-0446	1	S	9-tooth Sprocket
20	713-0447	1	S	16-tooth Sprocket
21	713-0448	1	S	22-link Chain, .625
22	716-0131	1	S	External Snap Ring
23	717-0678	1	S	Brake Pad
24	717-1438	1	S	41-tooth Bevel Gear
25	717-1439	1	S	20-tooth Spur Gear
26	717-1440	1		10-tooth Spur Gear
27	717-1441	1		27-tooth Spur Gear
28	717-1442	1		37-tooth Spur Gear
29	718-0500	1		Inner Axle Bearing Block
30	718-0504	1		Shifter Insert
31	718-0505	1		Shifter Cover
32	718-0537	1		Shifter Bearing Block
33	719-0385	1		Lower Housing
34	718-0540	1		Lockout Plate
35	736-0337	1	S	Flat Washer, 5/8 x 1.0
36	736-3046A	1		Flat Washer, 1.01 x 1.86 x .060
37	711-1235	1		Input Shaft
38	747-1140	1	/P	Shift Lever
?39	750-1033A	1		Spacer, 1.13 x 1.38 x 1.968
40	761-0215	1		Disc Brake
41	716-0114	1	S	Retaining Ring, .56
42	717-1463	1	S	13-tooth Bevel Gear
43	736-0335	1	S	Flat Washer
44	736-0336	1	S	Flat Washer, 5/8 x 1.0 x .030 Use applicable flat washer (12a, 12b or 12c) in this application allowing proper end-play as instructed in Troy-Bilt's Service Manual.
	736-0337	1	S	Flat Washer, 5/8 x 1.0 x .040 Use applicable flat washer (12a, 12b or 12c) in this application allowing proper end-play as instructed in Troy-Bilt's Service Manual.

14AB809H063 22HP Garden Tractor (2002)
Transmission

Page 19 of 19

Ref #	Part Number	Qty	S/P/F	Description
	736-0349	1	S	Flat Washer,5/8 x 1.0 x .020 Use applicable flat washer (12a, 12b or 12c) in this application allowing proper end-play as instructed in Troy-Bilt's Service Manual.
46	741-0335	1	S	Needle Bearing
47	741-0696	1	/P	Needle Bearing
48	716-0231	1	S	E-ring, .75
49	618-0376	1	S	Transmission Assembly Complete