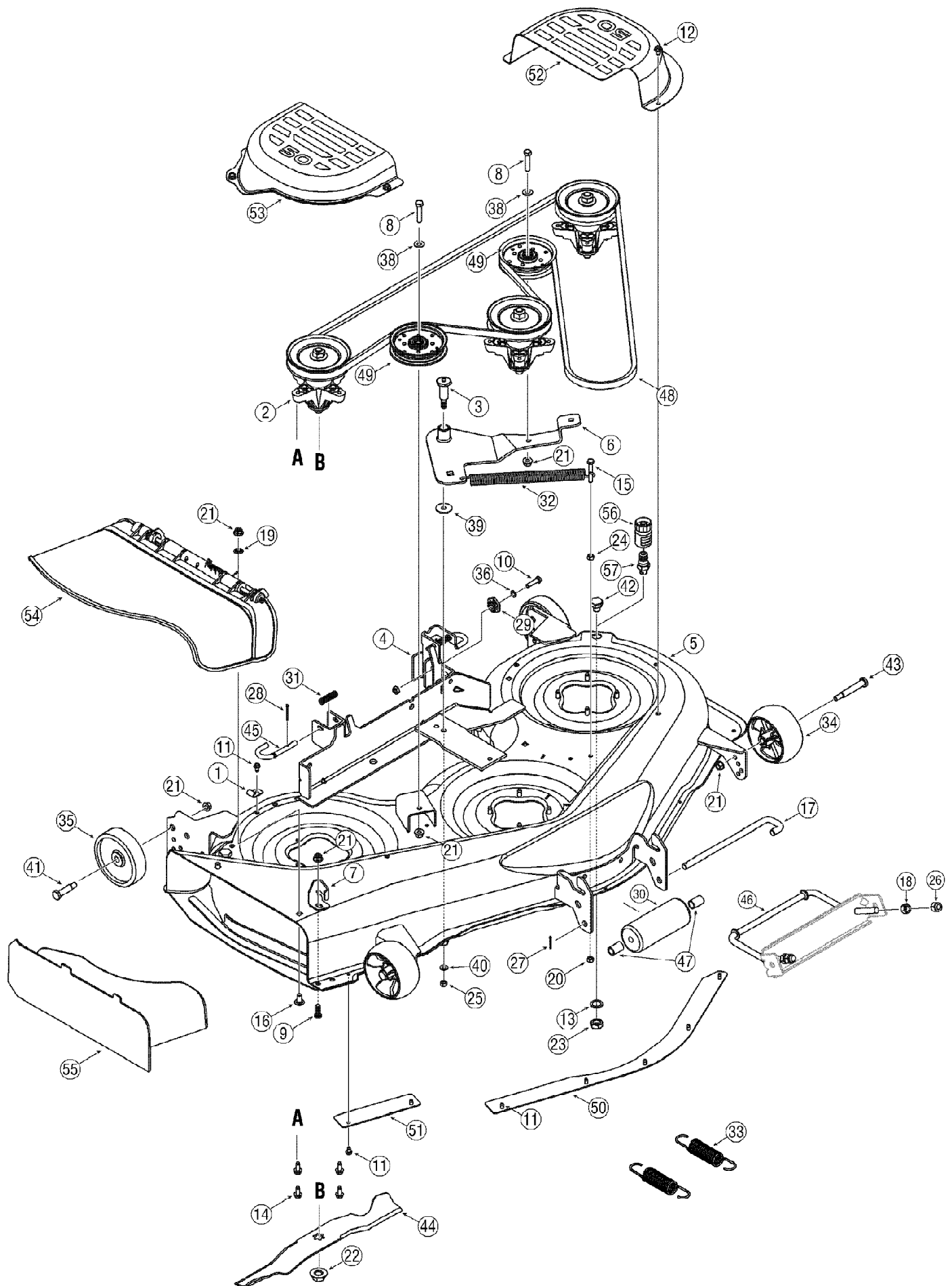


14AA80TP766 Big Red Horse (2007)
Axle & Wheels Front

Page 2 of 24

Ref #	Part Number	Qty	S/P/F	Description
1	710-04095	1		Hex Screw, 3/8-16, 1.00, Gr5
2	710-0514	1	/P	Hex Screw, 3/8-16, 1.00, Gr5
3	710-0643	1	/P	Hex Screw, 5/16-18, 1.00, Gr5
4	711-1408	1		Link, Drag, RH
5	711-1409A	1	/P	Link, Drag, LH
6	712-0214	1	S	Nut, Hex Lock, 3/8-24
7	712-04065	1	/P	Nut, Flange Lock, 3/8-16
8	712-0459	1	/P	Nut, Flange Lock, 7/16-20
9	712-3004A	1	/P	Nut, Flange Lock, 5/16-18, Gr5
10	712-0240	1	S	Nut, Jam, 7/16-20, Gr2
11	717-1550E	1	S	Gear, Steering, 11/90 Ratio
12	717-1554	1		Gear, Pinion, Steering
13	723-0448A	1	S	Ball Joint, 7/16-20, Lock
14	736-3004	1	S	Washer, Flat,.406 x.875 x.105
15	736-3084	1	/P	Washer, Flat,.51 x 1.12 x.06
16	710-1260A	1	/P	Screw, 5/16-18, 0.750
17	738-04154	1		Spacer, Shoulder,.38 x 1.00 x.31
18	738-1001A	1	/P	Shaft, Steering,.625 OD x 24.25
19	741-0475	1	S	Plastic Bushing.380 ID
20	741-0656A	1	S	Hex Flange Bearing 5/8 PM
21	783-0726E	1	/P	Pivot Bracket, Support RH
22	783-0727D	1		Pivot Bracket, Support LH
23	783-0728B	1		Pivot Bracket, Bar
24	631-04008	1	S	Steering Wheel, 13.25
25	731-04066A	1	/P	Steering Wheel Cover
26	738-1011A	1	/P	Shoulder Screw,.5 x 2.2, 3/8-16
27	731-05674	1		Cap
28	736-04228	1		Flat Washer, .781 x 1.589
29	714-04039	1		Cotter Pin, 5/32 x 1.25
30	719-04105	1	/P	Cast Iron Pivot Bar
31	726-0341	1	/P	Push Cap
32	638-04003A	1	S	LH Axle Assembly,.750
33	638-04004A	1	S	RH Axle Assembly,.750
34	711-0332	1	S	Pin, Clevis,.50 x.78
35	714-04023	1	S	Cotter Pin, Int., .080 x 1.5625
36	783-0720A	1	S	Adjustment Bracket, Front
37	634-04088A	1	/P	Wheel Assembly Complete,
37	734-04148	1		Tire Only 16 x 7.5 x 8
37	634-04082	1	S	Rim Only w/ Valve Stem
38	738-0143	1	/P	Screw, Shldr,.498 x.340, 3/8-16
39	712-0431	1	S	Flange Lock Nut, 3/8-16



14AA80TP766 Big Red Horse (2007)
Deck 50

Page 4 of 24

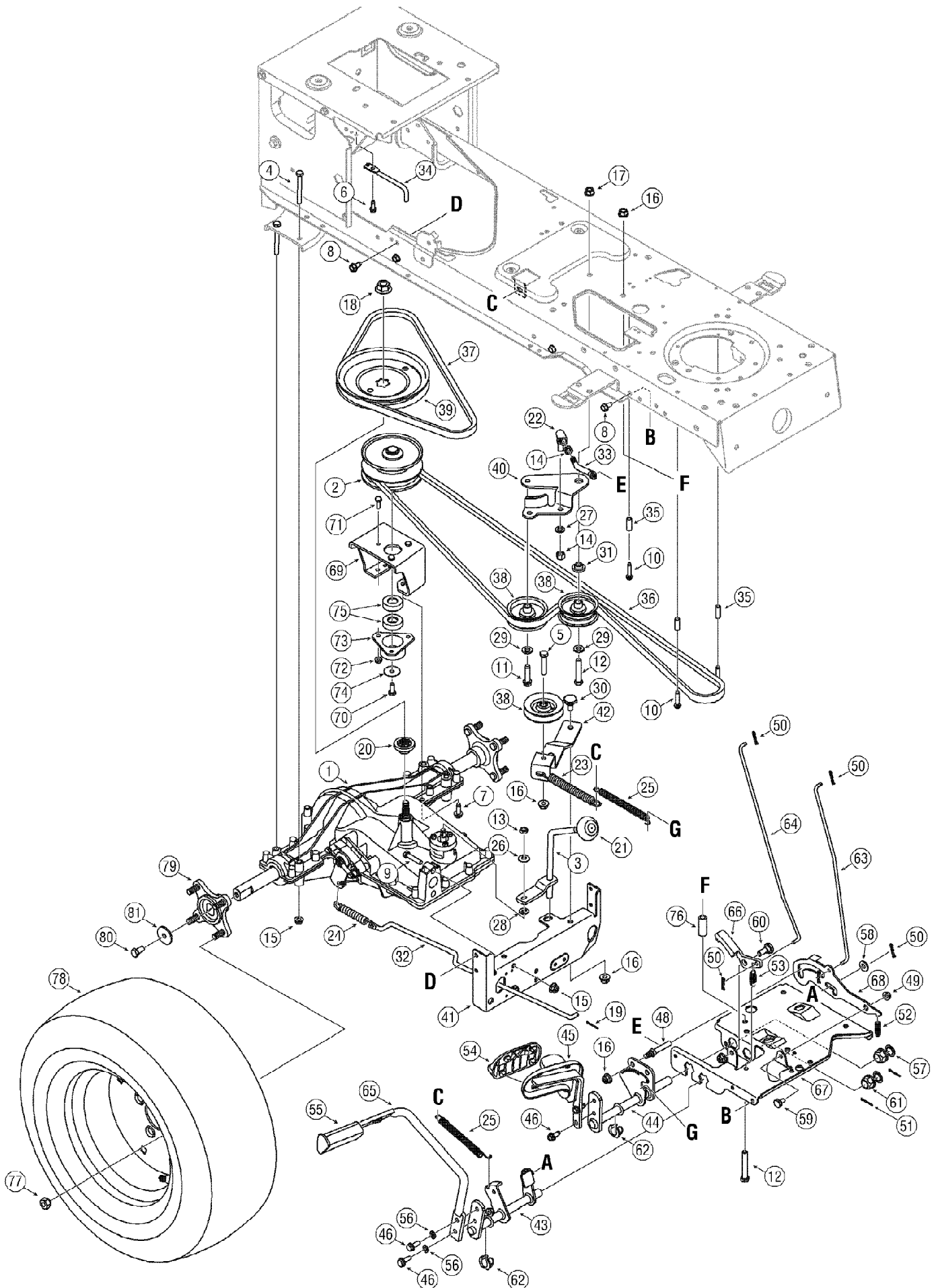
Ref #	Part Number	Qty	S/P/F	Description
1	16606	1	S	Hook, Retainer
2	918-04126A	1	S	Spindle Assembly
2	712-0417A	1	/P	Flange Nut:5/8-18 Not shown
2	736-0315	1	/P	Flat Washer:.760 x 1.50 x .120 Not shown
2	937-3000	1	/P	Grease Fitting:3/16:LNC #70:DRI Not shown
2	738-1010A	1	/P	Spindle Shaft:5.75 LG. Not shown
2	941-0919	1	/P	Ball Bearing:20x47x14:62 Not shown
2	748-0160A	1		Spacer:.790 ID x 1.25OD x .175 Not shown
2	750-1000	1		Spacer:.80 x 1.10 x 1.322 Not shown
2	750-1349A	1	/P	Spacer:.79 x 1.82 x .55 Not shown
2	756-04216	1		Deck Pulley 5.39 Dia Not shown
3	638-04012A	1	/P	Shoulder Bolt
4	683-0254B	1	/P	Hanger Bracket Assembly
5	683-04109B	1		50-inch Deck Assembly
6	683-04239	1		Idler Assembly, 50" Deck
7	703-3279	1		Chute Stop
8	710-0347	1	/P	Screw, 3/8-16, 1.75
9	710-04095	1		Screw, 3/8-16 x 1.0
10	710-0528	1	/P	Screw, 5/16-18, 1.25, Gr5
11	710-0599	1	/P	Screw, 1/4-20 x 0.5
12	710-0607	1	/P	Screw, 5/16-18 x .75
13	736-0225	1	/P	Washer, Lock, 5/8 Internal Tooth
14	710-1260A	1	/P	Screw, 5/16-18 x .75
15	710-3103	1	/P	Screw, 5/16-18 x 2.00
16	710-3178	1	/P	Screw, Carriage, 3/8-16 x .75
17	711-1737	1		Roller Pin
18	712-0206	1	S	Hex Nut, 1/2-13
19	712-0229	1		Push Nut Retainer
20	712-04063	1	/P	Nut, Nylon Lock, 5/16-18
21	712-04065	1	/P	Nut, Nylon Lock, 3/8-16
22	712-0417A	1	/P	Nut, Hex, Flange, 5/8-18
23	712-0641	1	S	Nut, Hex, M16-1.5
24	712-3010	1	S	Nut, Hex, 5/16-18, Gr5
25	712-3019	1	S	Hex Nut, 7/16-14
26	712-3083	1	/P	Hex Lock Nut, 1/2-13
27	714-0111	1	S	Pin, Cotter, 3/32 x 1.00
28	714-0470	1	S	Pin, Cotter, 1/8 x 1.25
29	717-04074	1	S	Deck Adjustment Gear
30	731-3005	1	/P	Roller
31	732-0306A	1	S	Spring, Compression, .531 x 1.75
32	732-0459B	1	S	Spring, Extension, .94 x 6.74
33	732-0934	1		Spring, Extension, 1.5 x 5.99
34	734-04155	1		Deck Wheel, 5.0
35	734-0973	1	/P	Deck Wheel, 5.0
36	736-0119	1	S	Washer, Lock, 5/16
37	736-0225	1	/P	Washer, Lock, 5/8"
38	736-0300	1	S	Washer, Flat, .406 x .875 x .059
39	736-0406	1	S	Washer, Flat, .442 x 1.38 x .060
40	736-0407	1		Washer, Bell, .45 x 1.00 x .062
41	738-0373	1	S	Shoulder Screw
42	738-04146	1		Bolt, Plug, M16 x 1.5
43	738-3056	1	S	Shoulder Screw
44	742-04053B	1	S	Blade, 17.90

14AA80TP766 Big Red Horse (2007)
Deck 50

Page 5 of 24

Ref #	Part Number	Qty	S/P/F	Description
45	747-1116	1	/P	Rod, Deck Release .375 Dia.
46	747-1324	1		Rod, Deck Adjust
47	750-0151	1	S	Spacer, .550 x .750 x 1.125
48	754-04107	1	S	Belt, V-Type, Aramid
49	756-04129	1	S	Pulley, Idler, 3.5"
50	783-04414A	1	/P	Deck Skirt, Center
51	783-04415	1		Deck Skirt, RH
52	783-05280	1		LH Belt Cover
53	783-05281	1		RH Belt Cover
54	631-04070A	1	/P	Chute Assembly, Side Discharge
55	731-04651	1		Mulch Plug
56	721-04041	1	S	Coupler, Hose
57	737-04003C	1	S	Port, Water

14AA80TP766 Big Red Horse (2007)
Drive & Rear Wheels



14AA80TP766 Big Red Horse (2007)
Drive & Rear Wheels

Page 7 of 24

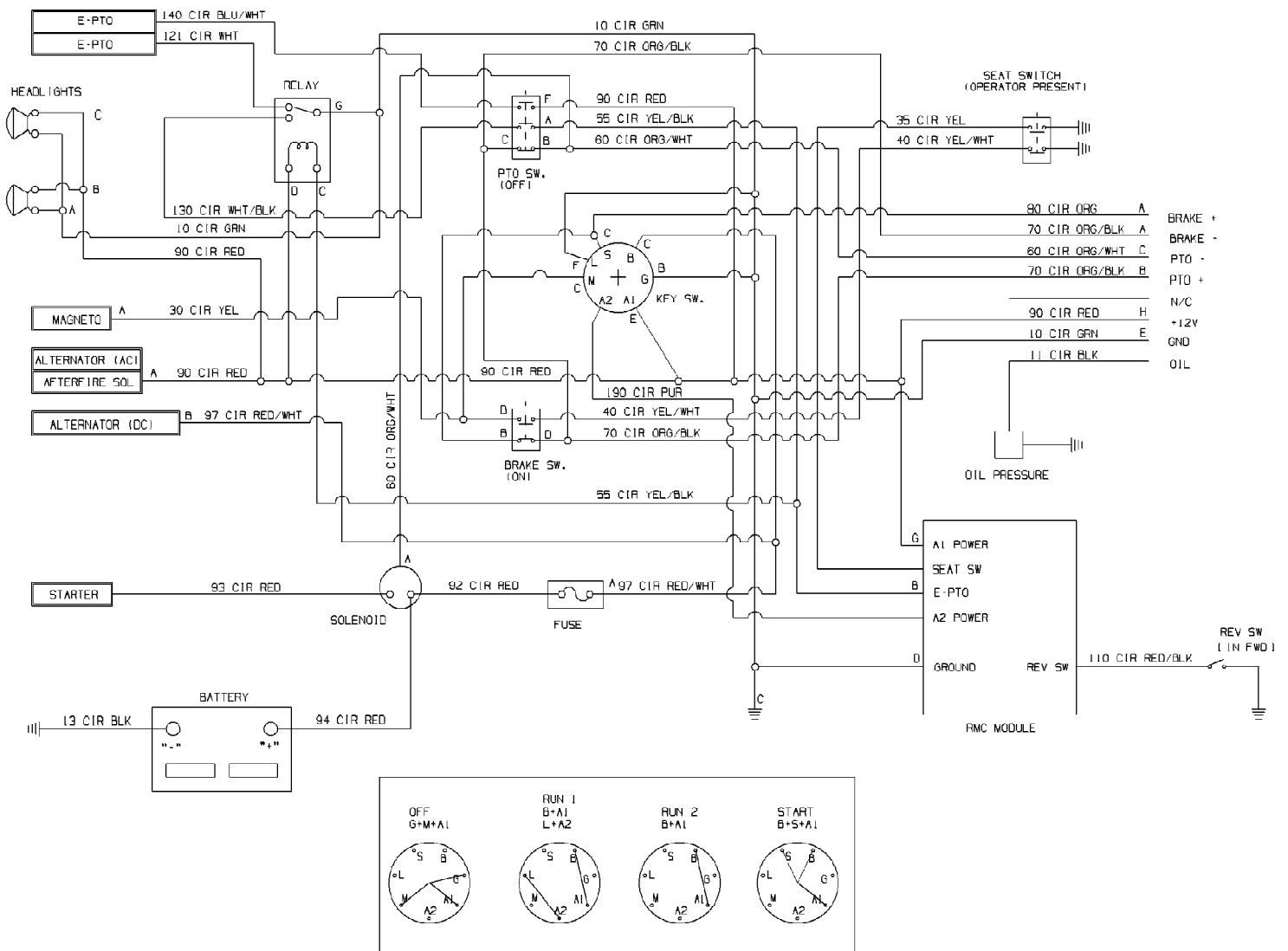
Ref #	Part Number	Qty	S/P/F	Description
1	618-0376A	1	S	Transmission Assembly, 2-Speed
2	656-04015	1	S	Variable Speed Pulley Assembly
3	647-04023A	1	/P	Rod Assembly, Shift, 2-Speed
4	710-0176	1	/P	Screw, 5/16-18, 2.75, Gr5
5	710-0347	1	/P	Screw, 3/8-16, 1.75, Gr5
6	710-0642	1	/P	Screw, 1/4-20, 0.750
7	710-0650	1	/P	Screw, 5/16-18, 0.875
8	710-0726	1	/P	Screw, 5/16-12, 0.750
9	710-0805	1	/P	Screw, 5/16-18, 1.50, Gr5
10	710-0809	1		Screw, 1/4-20, 1.250
11	710-1007	1	/P	Screw, Sems, 3/8-16, 1.500
12	710-3011	1	/P	Screw, 3/8-16, 2.25, Gr5
13	712-0181	1	S	Nut, Jam Lock, 3/6-16
14	712-0241	1	/P	Nut, Hex, 3/8-24, Gr5
15	712-04063	1	/P	Nut, Flange Lock, 5/16-18
16	712-04065	1	/P	Nut, Flange Lock, 3/8-16
17	712-0431	1	S	Nut, Flange Lock, 3/8-16, GrF,
18	712-0702	1	S	Nut, Flange, 7/16-20, Gr2
19	714-0507	1	S	Pin, Cotter, 3/32 x.750
20	718-0771A	1	S	Hub, Pulley, 1/2 Spline
21	720-04028	1		Knob, Shift
22	723-3018	1	S	Ball, Joint
23	732-0478	1	S	Extension, Spring 6.12
24	732-0716C	1	S	Spring, Extension,.59 OD x 4.00
25	732-0963	1		Spring, Extension,.50 Dia x 6.37
26	736-0105	1	/P	Washer, Bell,.375 x.870 x.063
27	736-0169	1	S	Washer, Lock, 3/8, Regular Duty
28	736-0642	1		Washer, Flat,.44x.75x.06, Ht Spcl
29	736-3010	1		Washer, Flat,.407x.812x.135, Ht
30	738-0322A	1	/P	Screw, Shoulder,.625 Dia x.217
31	738-0372B	1	/P	Spacer, Shoulder, 1.00 x.38 x.38
32	747-04136	1		Brake Rod
33	747-1127	1		Adjustment Rod, Idlr, 3/8
34	747-1185A	1		Rod, Belt Guard
35	750-0566A	1	/P	Spacer,.260 x.372 x 1.030
36	754-0467	1	S	Belt, V-Type
37	754-0468	1	S	Belt, V-Type
38	756-04224	1	/P	Pulley, Flat Idler, 2.75
39	756-0665	1	S	Pulley, V-Type, 8.50
40	783-04442	1		Idler Bracket, Center Double
41	783-0667B	1		Torque Bracket, Transmission,
42	783-0669	1	S	Bracket, Idler
43	647-04100	1	S	Control Assembly, Brake
44	647-0032A	1	S	Control Assembly, Speed
45	683-0266	1		Pedal Assembly, Control
46	710-1260A	1	/P	Screw, 5/16-18, 0.750
47	710-1611B	1	/P	Screw, 5/16-18, 0.750
48	711-04159B	1		Pin, 3/8-16 x 2.68
49	712-3004A	1	/P	Nut, Flange Lock, 5/16-18, Gr5
50	714-0104	1	S	Pin, Cotter,.072 Dia. x 1.13
51	714-0111	1	S	Pin, Cotter, 3/32, 1.0
52	732-0335	1		Spring, Compression,.405 x 1.17
53	732-0955	1		Spring, Extension,.50 OD x 1.41

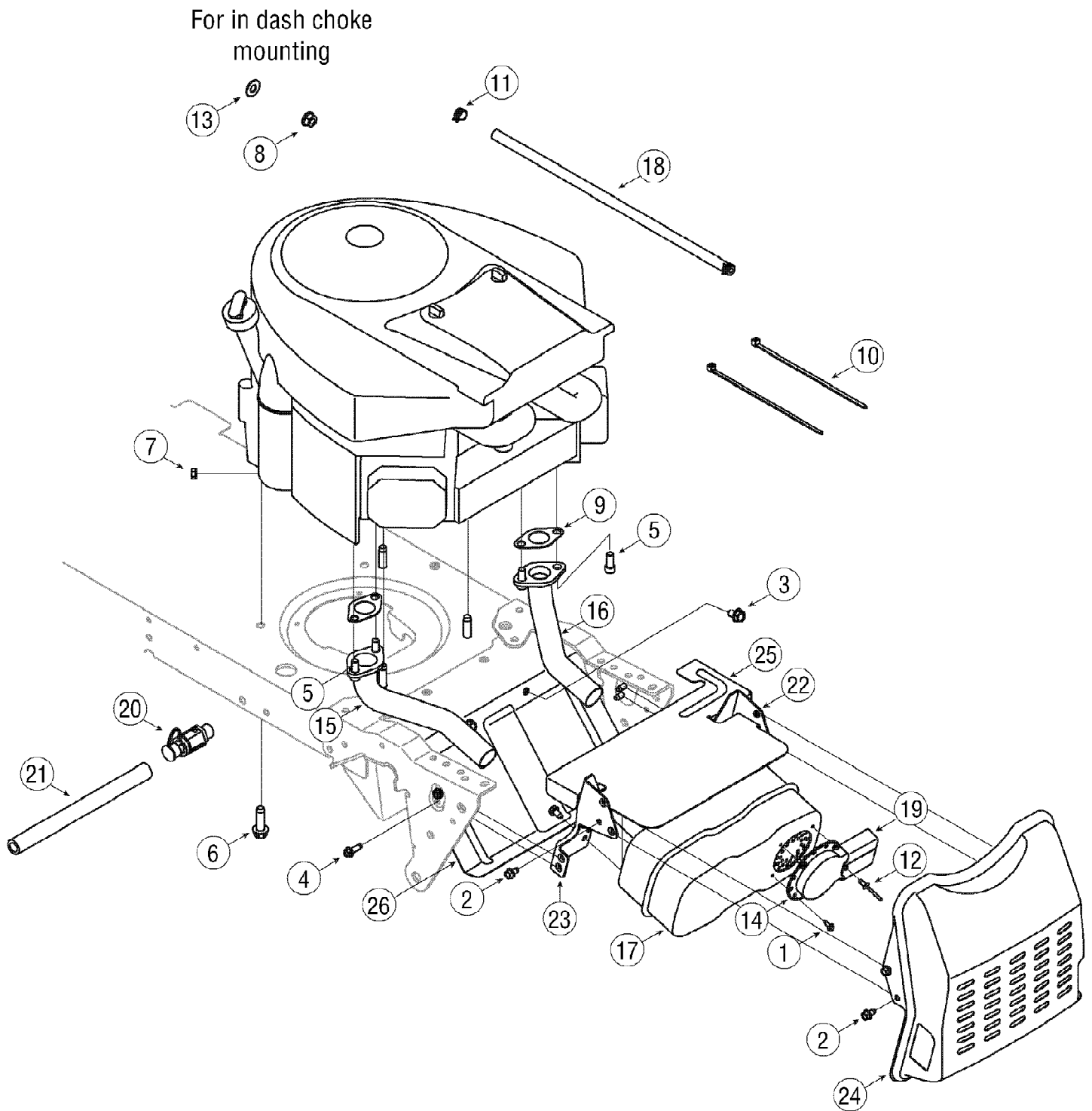
14AA80TP766 Big Red Horse (2007)
Drive & Rear Wheels

Page 8 of 24

Ref #	Part Number	Qty	S/P/F	Description
54	735-0662	1		Pad, Drive Control
55	735-3049A	1	/P	Pad, Brake
56	736-0119	1	S	Washer, Lock, 5/16, Regular Duty
57	736-0187	1	/P	Washer, Flat,.64 x 1.24 x.06
58	736-0262	1	/P	Washer, Flat,.385 x.870 x.092
59	738-0155	1	S	Shoulder Screw.437 Dia x.162
60	738-0380	1	S	Screw, Shoulder,.50 x.27, 3/8-16
61	741-0225	1	S	Bearing, Hex Flange
62	741-3065B	1	/P	Bearing, Hex Flange,.628 ID, Split
63	747-04093A	1		Control Rod, Brake Lock
64	747-04096	1		Control Rod, Cruise
65	747-04641	1	S	Pedal, Brake
66	748-04039C	1		Latch, Cruise
67	783-04612	1	S	Bracket, Steering Support
68	783-0732A	1	/P	Bracket, Lockout
69	618-04200	1		Pulley Bracket
70	710-0627	1	/P	Screw, 5/16-24,.75
71	710-3015	1	/P	Screw, 1/4-20,.75
72	712-3027	1	S	Nut, Flange Lock, 1/4-20
73	718-04012	1	/P	Bearing Cup
74	736-0362	1	/P	Washer, Flat, .330 x 1.25 x .06
75	741-0124	1	S	Ball Bearing
76	748-0415B	1	/P	Spacer,.385 x.635 x 1.54
77	712-3050	1	/P	Lug Nut, 7/16-14
78	634-0202A	1		Wheel Assembly, 23 x 10.5 x 12
78	734-04147	1	S	Tire, 23 x 10.5 x 12
78	634-3178	1		Rim Assembly
79	618-04317	1	S	Wheel Hub Assembly
80	710-3119	1	/P	Hex Head Screw, 3/8-16
81	736-0227	1	S	Washer, Flat, .390 x 1.50 x .134

14AA80TP766 Big Red Horse (2007)
Electrical



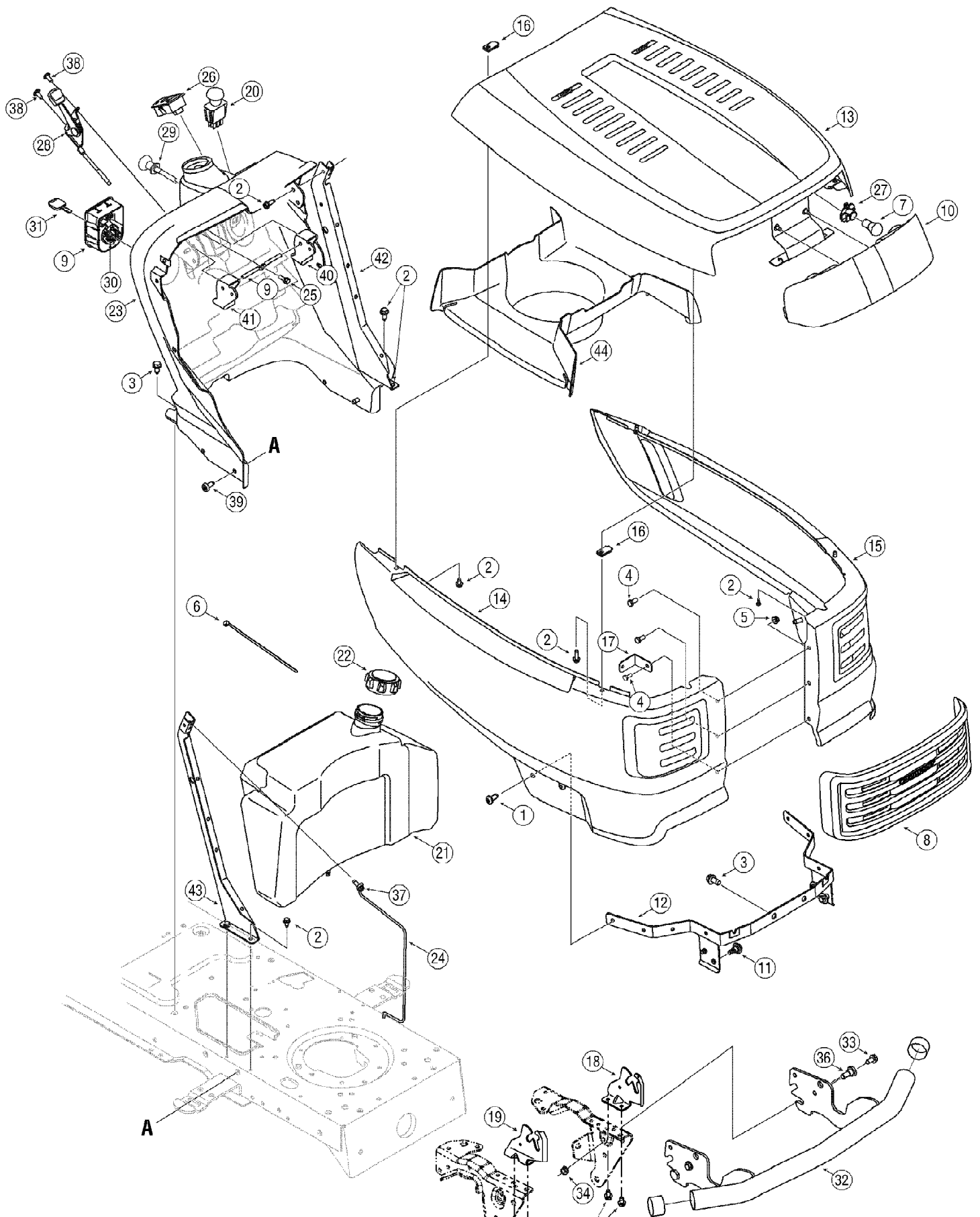


14AA80TP766 Big Red Horse (2007)
Engine Accessories

Page 11 of 24

Ref #	Part Number	Qty	S/P/F	Description
1	710-0227	1	/P	AB Screw #8-18 x 0.5
2	710-0599	1	/P	TT Screw 1/4-20 x 0.5
3	710-0604A	1	/P	TT Screw 5/16-18 x 0.625
4	710-0642	1	/P	TT Screw 1/4-20 x 0.625
5	710-1314A	1	/P	Screw, 5/16-18 x .750
6	710-1315	1	/P	TT Screw 3/8-16 x 1.25
7	712-0271	1	/P	Sems Nut, 1/4-20
8	712-3005	1	S	Flange Lock Nut, 3/8-16
9	721-0460	1		Exhaust Gasket
10	725-0157	1	/P	Cable Tie
11	726-0205	1	/P	Hose Clamp
12	728-04000	1		Pop Rivet
13	736-0300	1	S	Flat Washer, .406 x .875 x .059
14	751-0564B	1	/P	Muffler Deflector
15	751-10004	1		RH Exhaust Pipe
16	751-10005	1		LH Exhaust Pipe
17	751-10161	1		Dual Inlet Muffler
18	751-10349	1		Fuel Line Hose
19	751-10353	1		Muffler Deflector, Long
20	751-10517	1	S	Oil Drain Valve
21	751-3141	1	S	Oil Drain Extension Hose
22	783-04573	1		Muffler Bracket, LH
23	783-04574	1		Muffler Bracket, RH
24	783-04576B	1	S	Muffler Shield
25	783-04783A	1	/P	Heat Shield, Twin
26	783-05410	1		Muffler Heat Shield

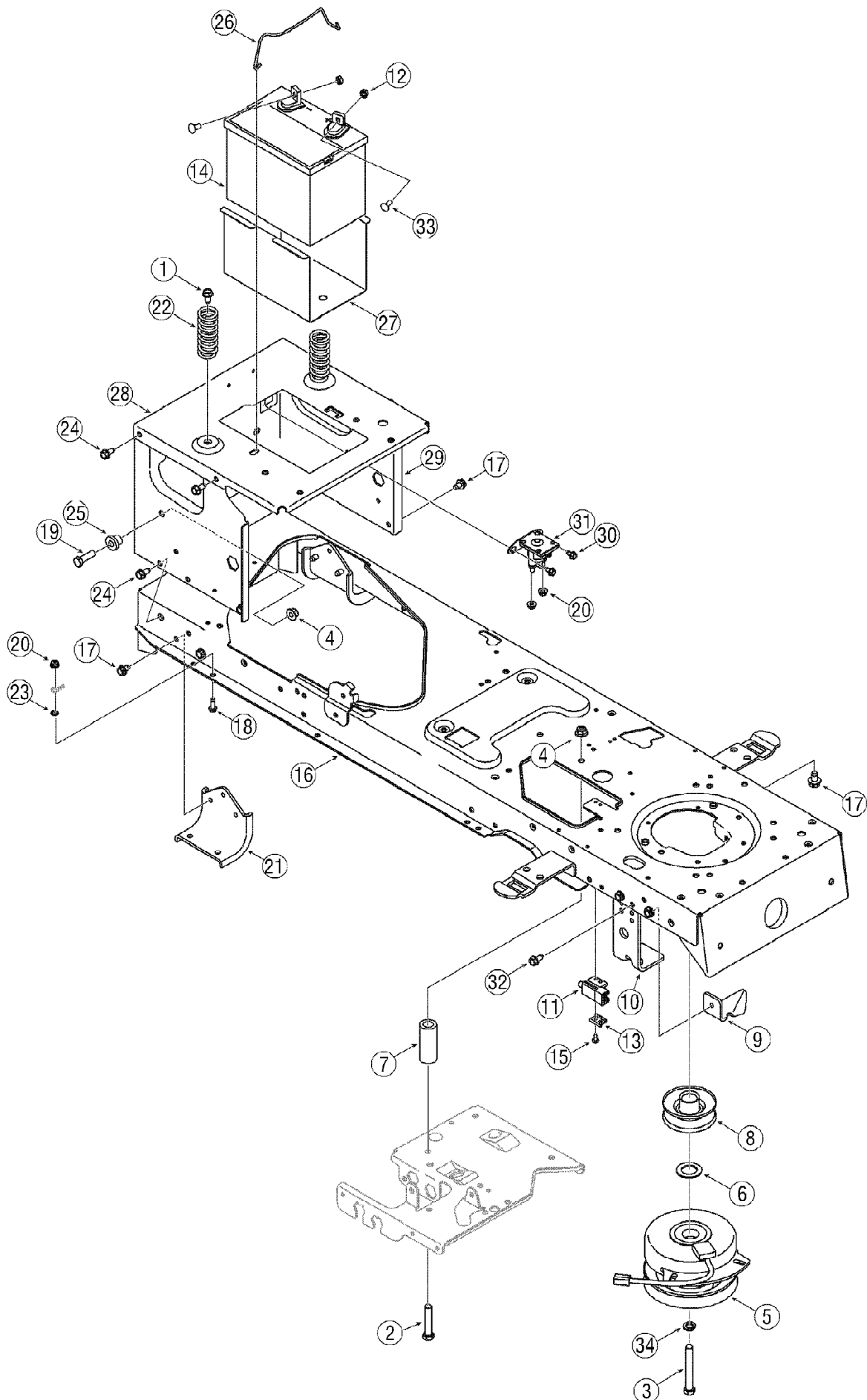
14AA80TP766 Big Red Horse (2007)
Hood Assembly



14AA80TP766 Big Red Horse (2007)
Hood Assembly

Page 13 of 24

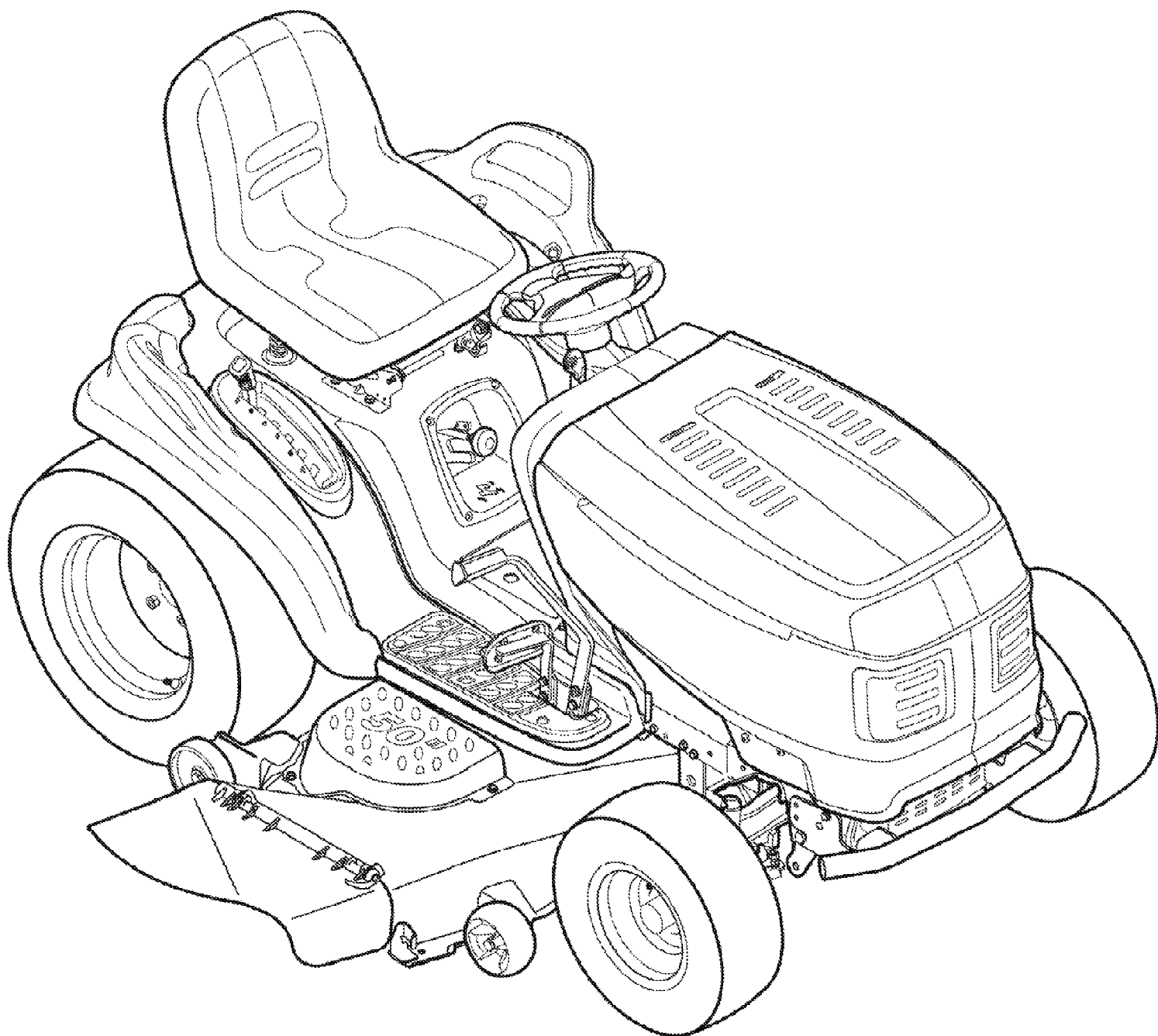
Ref #	Part Number	Qty	S/P/F	Description
1	710-04593	1		Screw, 5/16-18, .375
2	710-0599	1	/P	Screw, 1/4-20, 0.500
3	710-0607	1	/P	Screw, 5/16-18, 0.500
4	710-0751	1	/P	Screw, 1/4-20, 0.620
5	712-04064	1	/P	Flange Lock Nut, 1/4-20
6	725-0157	1	/P	Cable Tie, 3/16 x .05 x 7.4
7	725-0963	1	S	Headlamp, 12V
8	731-05745	1		Troy-Bilt Grill Insert
9	747-1196	1		Bent Lever Rod
10	731-05357	1	S	Troy-Bilt Lens
11	738-04091	1	S	Screw, Shldr, .43 x .29, 5/16-18
12	783-04606B	1		Pivot Bracket
13	783-04827	1		Troy-Bilt Hood
14	783-04828	1		Troy-Bilt Side Panel, RH
15	783-04829	1		Troy-Bilt Side Panel, LH
16	783-05223	1		T-Style Hood Fastener
17	783-05315	1	S	Front Hood Bracket
18	783-04841	1		Hood Pivot Bracket, LH
19	783-04840	1		Hood Pivot Bracket, RH
20	725-04174	1	S	Electric PTO Switch
21	751-10283A	1	/P	Fuel Tank, 3 gal. TB
22	751-0603	1	S	Fuel Tank Cap
23	731-05005B	1		Dash Panel
24	747-04161	1		Gas Tank Support Rod
25	710-0895	1		Screw, 1/4-15, .750
26	725-04036C	1	S	Hour Meter Indicator
27	725-1649	1	S	Lamp Socket
28	746-04365	1		Throttle Control, 39.0 Lg.
29	746-04132	1	S	Choke Control
30	725-04227B	1	S	Module, Ignition Switch
31	725-1744	1	S	Key
31	725-1745	1	S	Key w/ Plastic Grip
32	683-04219A	1	S	Bumper Assembly
33	710-0726	1	/P	Screw, 5/16-12, 0.750
34	712-04065	1	/P	Flange Lock Nut, 3/8-16
35	731-05674	1		Bumper Cap
36	738-0143	1	/P	Shoulder Bolt, 3/8-16
37	710-0642	1	/P	Screw, 1/4-20, 0.750
38	710-1017	1	/P	Screw, 1/4-14, 0.625
39	710-1611B	1	/P	Screw, 5/16-18, 0.750
40	731-04728	1		Dash Brake Lever
41	731-04729	1		Dash Cruise Lever
42	783-04323D	1		Dash Support, LH
43	783-04285E	1	S	Dash Support, RH
44	731-05979	1		Plenum, Hood
	725-04404	1	S	Wire Harness Not shown
	629-04083A	1	S	Headlight Wire Harness Not shown
	777X42316	1		Headlight Lens Reflector Center Not shown
	777X42188	1		Headlight Lens Reflector RH Not shown
	777X42187	1		Headlight Lens Reflector LH Not shown



14AA80TP766 Big Red Horse (2007)
PTO & Frame

Page 15 of 24

Ref #	Part Number	Qty	S/P/F	Description
1	710-1260A	1	/P	Screw, 5/16-18 x 0.75
2	710-3011	1	/P	Screw, 3/8-16, 2.25, Gr5
3	710-04379A	1		Screw, 7/16-20, 3.50, Gr5, Lock
4	712-04065	1	/P	Nut, Flange Lock, 3/8-16
5	717-04174A	1	S	PTO Clutch, Electric
6	736-0277	1		Washer, Flat, 1.031 x 1.620 x.095
7	748-0415B	1	/P	Spacer,.385 ID x.635 OD x 1.54
8	756-0639A	1	/P	Pulley, Engine, 3.56 Diameter
9	783-04419B	1	S	Clutch Bracket
10	783-04467	1		Deck Bracket, Up-Stop
11	725-04039	1	S	Switch
12	712-0271	1	/P	Nut, Sems, 1/4-20
13	17962	1		Switch Plate
14	725-1750A	1	S	Battery, 235 CCA
15	710-0224	1	S	AB Screw, #10-16 x.500
16	683-04173B	1		Frame Assembly, Lower
17	710-0607	1	/P	Screw, 5/16-18, 0.500
18	710-0642	1	/P	Screw, 1/4-20, 0.750
19	710-3005	1	/P	Screw, 3/8-16, 1.25, Gr5
20	712-04064	1	/P	Nut, Flange Lock, 1/4-20
21	783-0693	1		Axle Bracket
22	732-04035	1		Spring, Compress., 1.28 x 3.125
23	736-0222	1	S	Washer, Lock, 1/4, External
24	710-0604A	1	/P	Screw, 5/16-18, 0.625
25	738-04058	1		Spacer, Shoulder,.38 x 1.0 x.70
26	747-04121A	1		Hold Rod, Battery
27	783-0349	1		Battery Tray
28	783-04329A	1		Seat Bracket, Frame
29	783-04811D	1	S	Frame, Upper
30	710-0599	1	/P	Screw, 1/4-20, 0.50
31	725-04439	1		Solenoid, 12V, 100 Amp
32	710-0726	1	/P	Screw, 5/16-12 x .750
33	710-04666	1		Hex Flange Bolt, 1/4-20,.75
34	736-0171	1	S	Lock Washer, 7/16



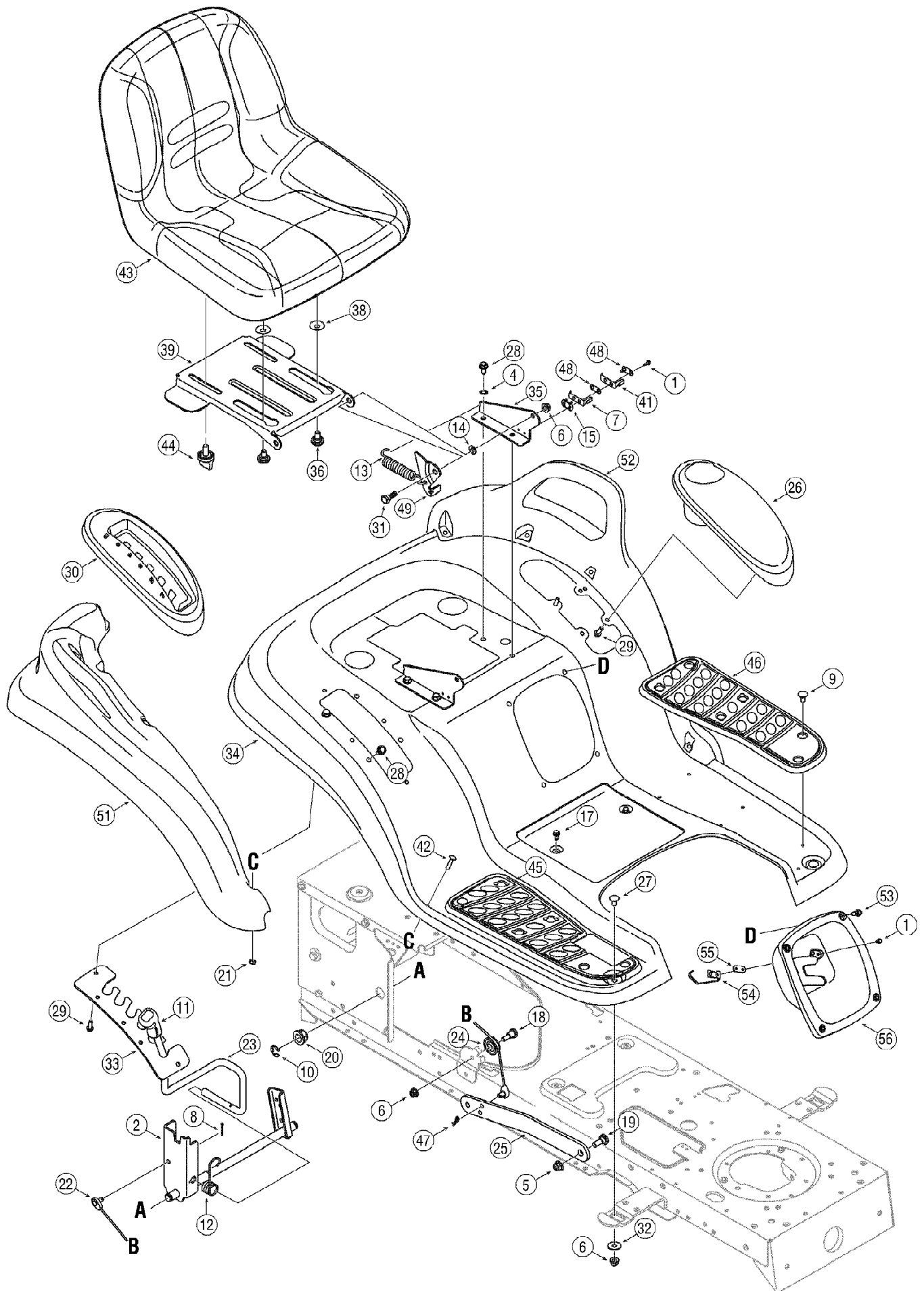
Ref #	Part Number	Qty	S/P/F	Description
	942-04053A	3	S	Blades
	712-0417A	1	/P	Blade Nut
	954-0468	1	/P	Upper drive Belt
	954-0467	1	S	Lower drive Belt
	954-04107	1	/P	Deck Spindle Belt
	N/A	1		Engine To deck Belt
	918-04126A	3	S	Deck Spindles
	756-04129	2	S	Idler Pulley
	925-1745	1	S	Ignition Keys
	746-04132	1	S	Choke Control Cable
	746-1086	1	S	Throttle Control Cable
	725-04439	1		Solenoid
	BS-492932S	1	/P	Oil Filter
	BS-499486S	1	/P	Air Filter
	BS-273638S	1	/P	Pre-Cleaner Element
	759-3336	1	/P	Spark Plug
	BS-691035	1	/P	Fuel Filter
	925-1707D	1	/P	Battery
	951-3111	1	S	Fuel Cap
	723-0448A	1	S	Ball Joints
	741-0516B	1	/P	Wheel Bushings
	741-0990B	1	/P	Wheel Bushings in board
	734-0973	1	/P	Rear Deck Wheels 5.0 x 1.38
	734-04155	1		Front Deck Wheels 5.0 dia. ball
	734-04148	1		Tire 16" x 7.5" x 8" Square Shoulder (Front)
	734-04147	1	S	Tire 23" x 10.5" x 12" Square Shoulder (Rear)
	731-05674	1		Hub Cap
	725-04363	1		Safety Switch-deck
	725-04363	1		Safety Switch-Brake/ Clutch
	N/A	1		Water Nozzle Adapter
	631-04070A	1	/P	Discharge Chute Assembly
	OEM-190-679	1	/P	Front Bumper (Attachment)
	OEM-190-964	1	/P	Rear Tire Chain Set (Attachment)
	OEM-190-032	1	/P	42-inch Two-stage Snow Thrower (Attachment)
	OEM-190-833	1	/P	46-inch Front Dozer Blade
	OEM-190-608	1		Sleeve Hitch, Manual Lift (Attachment)
	OEM-190-824	1		Sleeve Hitch with Electric Lift (Attachment)
	OEM-190-192	1	S	Triple Bagger Grass Collector
	OEM-190-193	1		Mulch Kit
	OEM-190-784	1	/P	Rear Wheel Weights
	OEM-190-607	1		Deluxe Tractor Sunshade (Attachment)Not compatible with tractors equipped with a Grass Collector.
	OEM-190-751	1		Tractor Snow Cab (Attachment)Not compatible with tractors equipped with a Grass Collector.
	OEM-190-184	1		40" Dethatcher

14AA80TP766 Big Red Horse (2007)
Quick Reference

Page 18 of 24

Ref #	Part Number	Qty	S/P/F	Description
	OEM-190-825	1		30-inch Hydraulic Tiller (Attachment) OEM-190-124 is required for use of this attachment. 190-608 can NOT be used in its place.
	OEM-190-978	1		10-inch Moldboard Plow (Attachment) Either OEM-190-824 or OEM-190-608 is required for use of this attachment.
	OEM-190-980	1		Single-disc Harrow (Attachment) Either OEM-190-824 or OEM-190-608 is required for use of this attachment.
	OEM-190-984	1		Row Crop Cultivator (Attachment) Either OEM-190-824 or OEM-190-608 is required for use of this attachment.

14AA80TP766 Big Red Horse (2007)
Seat, Deck Lift



14AA80TP766 Big Red Horse (2007)
Seat, Deck Lift

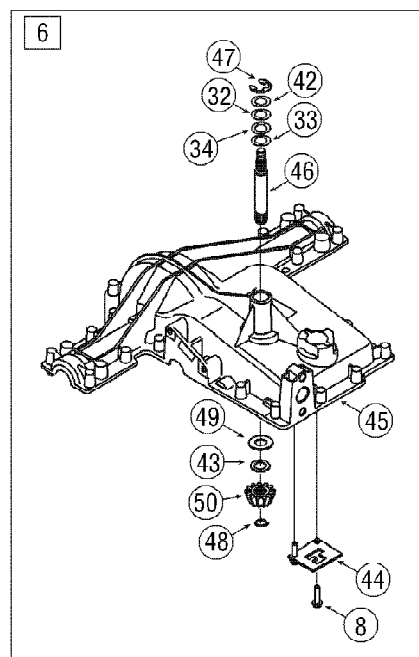
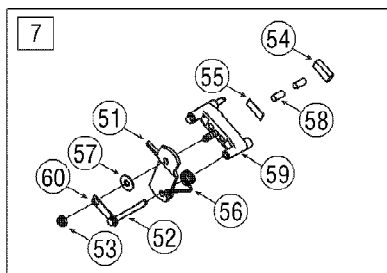
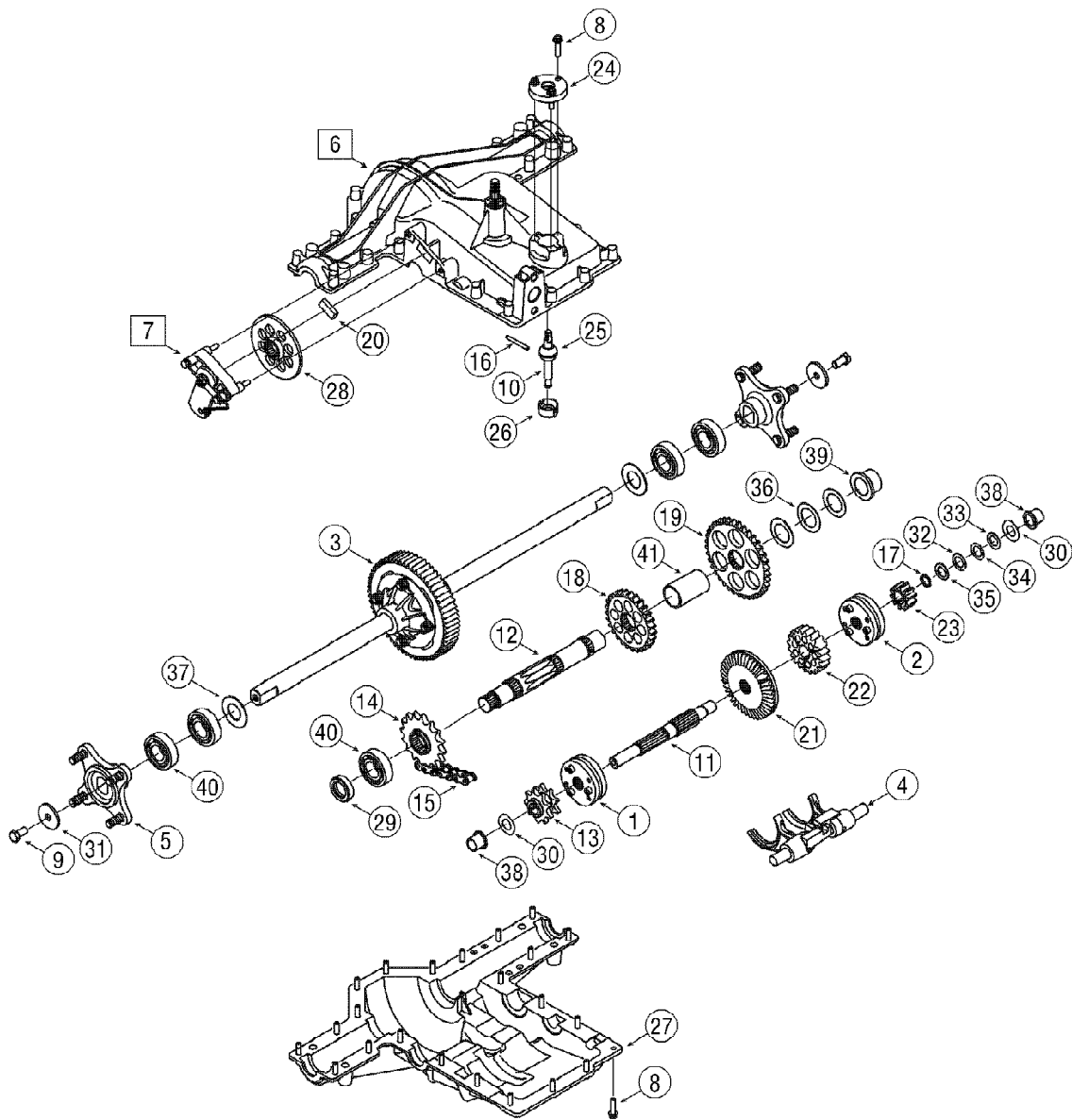
Page 20 of 24

Ref #	Part Number	Qty	S/P/F	Description
1	710-0227	1	/P	Screw, #8-18 x.500
2	683-04223	1	S	Lift Shaft Assembly
3	736-0204	1	/P	Washer, Flat, .344 x .62 x .033
4	736-0607	1	/P	Lock Washer, 5/16
5	712-04065	1	/P	Flange Lock Nut, 3/8-16
6	712-04063	1	/P	Flange Lock Nut, 5/16-18
7	725-1439	1		Inner Seat Spring Switch
8	714-0104	1	S	Hairpin Clip
9	726-3046	1	/P	Foot Pad Clips
10	716-0106A	1		E-Ring
11	720-0311	1		Handle Grip
12	732-0874	1	/P	Torsion Spring
13	732-1184	1	/P	Extension Spring,.84 x 4.6
14	736-0242	1	/P	Flat Washer
15	726-0278	1		Insulator Boss Plate
16	736-3019	1		Flat Washer,.31 x 1.062 x.134
17	710-0599	1	/P	Screw, 1/4-20 x.500
18	738-0138A	1	/P	Hex Cap Screw, 5/16-18 x.62
19	738-0380	1	S	Shoulder Screw, 3/8-16
20	741-0225	1	S	Hex Flange Bearing
21	712-0271	1	/P	Sems Nut 1/4-20
22	746-0968	1		Lift Cable, 16.16
23	747-04447	1		Lift Handle
24	756-1154	1		Roller Pulley
25	783-05546	1	S	Arm Lift
26	731-1993A	1		Cover w/ Cup Holder
27	710-0451	1	/P	Carriage Bolt, 5/16-18 x.750
28	710-0604A	1	/P	Self-tapping Screw, 5/16-18 x.625
29	710-0895	1		Self-tapping Screw, 1/4-15 x.75
30	731-1990	1		Lift Lever Cover
31	738-0296	1	S	Shoulder Screw,.437 x.286
32	736-3078	1	/P	Flat Washer,.349 x 1.0 x.063
33	783-0677B	1		Lift Adjustment Bracket
34	783-04331A	1		Fender 4 Style 2-Speed
35	783-1489C	1		Seat Mounting Bracket
36	738-04012A	1	/P	Shoulder Screw, 3/8-16
37	712-04064	1	/P	Flange Lock Nut, 1/4-20
38	736-0300	1	S	Flat Washer,.406 x .875 x .059
39	783-04081B	1		Seat Pivot Bracket
40	732-0499	1		Compression Spring,.41 x 1.5
41	725-1303	1	S	Outer Seat Spring Switch
42	710-0932	1	/P	Carriage Screw 1/4-20 x 1.00
43	757-04003A	1	/P	High Back Seat, Black
44	720-04061	1		Adjustment Knob, 3/8-16 x .875
45	735-0656	1		RH Foot Pad
46	735-0657	1		LH Foot Pad
47	714-0111	1	S	Cotter Pin
48	726-0279	1		Insulator Plate
49	783-0209D	1	/P	Seat Lift Bracket
50	726-0201	1		Speed Clip
51	731-2618	1		RH Fender Flare
52	731-2619	1		LH Fender Flare
53	710-0642	1	/P	Screw, 1/4-20 x.750

14AA80TP766 Big Red Horse (2007)
Seat, Deck Lift

Page 21 of 24

Ref #	Part Number	Qty	S/P/F	Description
54	725-1713	1		Spring Switch
55	726-0320	1	S	Insulator Plate
56	731-2480A	1	/P	Shift Cover



14AA80TP766 Big Red Horse (2007)
Transmission

Page 23 of 24

Ref #	Part Number	Qty	S/P/F	Description
1	618-0225	1		Reverse Collar Assembly
2	618-0226	1		Hi-Lo Collar Assembly
3	918-04142	1		Differential Axle Assembly
4	918-04156	1	/P	Shift Fork Assembly
5	918-04317	1	/P	Wheel Hub Assembly
6	619-04081	1	S	Upper Housing
7	961-0012	1	/P	Brake Assembly
8	710-0788	1	/P	Screw 1/4-20 x 1.0
9	710-3119	1	/P	Lock bolt 3/8-16 x 0.75
10	711-04215	1	S	Shift lever
11	711-1051A	1	/P	Drive Shaft
12	711-1216	1		Output Shaft
13	913-0446	1	/P	9-tooth Sprocket
14	913-0447	1	/P	16-tooth Sprocket
15	913-0448	1	/P	22-link Chain,.625
16	715-04017A	1	S	Dowel Pin
17	916-0131	1	/P	External Snap Ring
18	717-04109	1		27-tooth Spur Gear
19	717-04110	1		37-tooth Spur Gear
20	917-0678	1	/P	Brake Pad
21	917-1438A	1	/P	41-tooth Bevel Gear
22	917-1439A	1	/P	20-tooth Spur Gear
23	717-1440	1		10-tooth Spur Gear
24	718-04053	1	S	Shift Cover
25	718-04066	1	S	Spherical Bearing
26	718-0504	1		Shifter Insert
27	719-04083	1	S	Lower Transmission Housing
28	761-0215	1		Disc Brake
29	721-04031	1	S	Oil Seal
30	736-0167	1	S	Washer, Flat, .656 X 1.25 X .02
31	936-0227	1	/P	Flat Washer
32	936-0336	1	/P	Flat Washer, 5/8 x 1.0 x.030*
33	936-0337	1	/P	Flat Washer, 5/8 x 1.0 x.040*
34	936-0349	1	/P	Flat Washer, 5/8 x 1.0 x.020*
35	736-0494	1		Flat Washer, .632 X 1.00 X .035
36	736-0715	1		Flat Washer, 1.12 X 1.75 X .03
37	736-0745	1	/P	Flat Washer, 1.010 X 1.56 X .060
38	741-04085	1		Flanged Bearing
39	741-04086	1		Flanged Bearing
40	741-0681	1		Ball Bearing
41	750-04244	1		Spacer
42	736-0495	1	S	Thrust Washer, 1.00 X .632
43	736-0494	1		Flat Washer, .632 X 1.00 X .035
44	718-0540	1		Lockout Plate
45	618-04264	1		Upper Housing
46	711-1235	1		Input Shaft
47	716-0231	1	S	E-Ring
48	716-0114	1	S	Retainer Ring
49	736-0335	1	S	Thrust Washer, .635 X 1.26 X.06
50	717-1463A	1	/P	13-tooth Bevel Gear
51	761-0212	1		Brake Arm Actuator
52	710-1206	1	/P	Screw, 1/4-20 x 2.375
53	712-0273	1	S	Hex Lock Nut, 5/16-24

14AA80TP766 Big Red Horse (2007)
Transmission

Page 24 of 24

Ref #	Part Number	Qty	S/P/F	Description
54	717-0678	1	S	Brake Pad
55	717-0682	1	S	Puck Plate
56	732-0925	1		Torsion Spring, .75 x 3 coils
57	736-0371	1	/P	Flat Washer, .343 x .880 x .062
58	741-0343	1	S	Actuating Pin 5/16 dia.
59	761-0207A	1	/P	Brake Yoke
60	761-0208	1		Anti-Rotation Brake Bracket