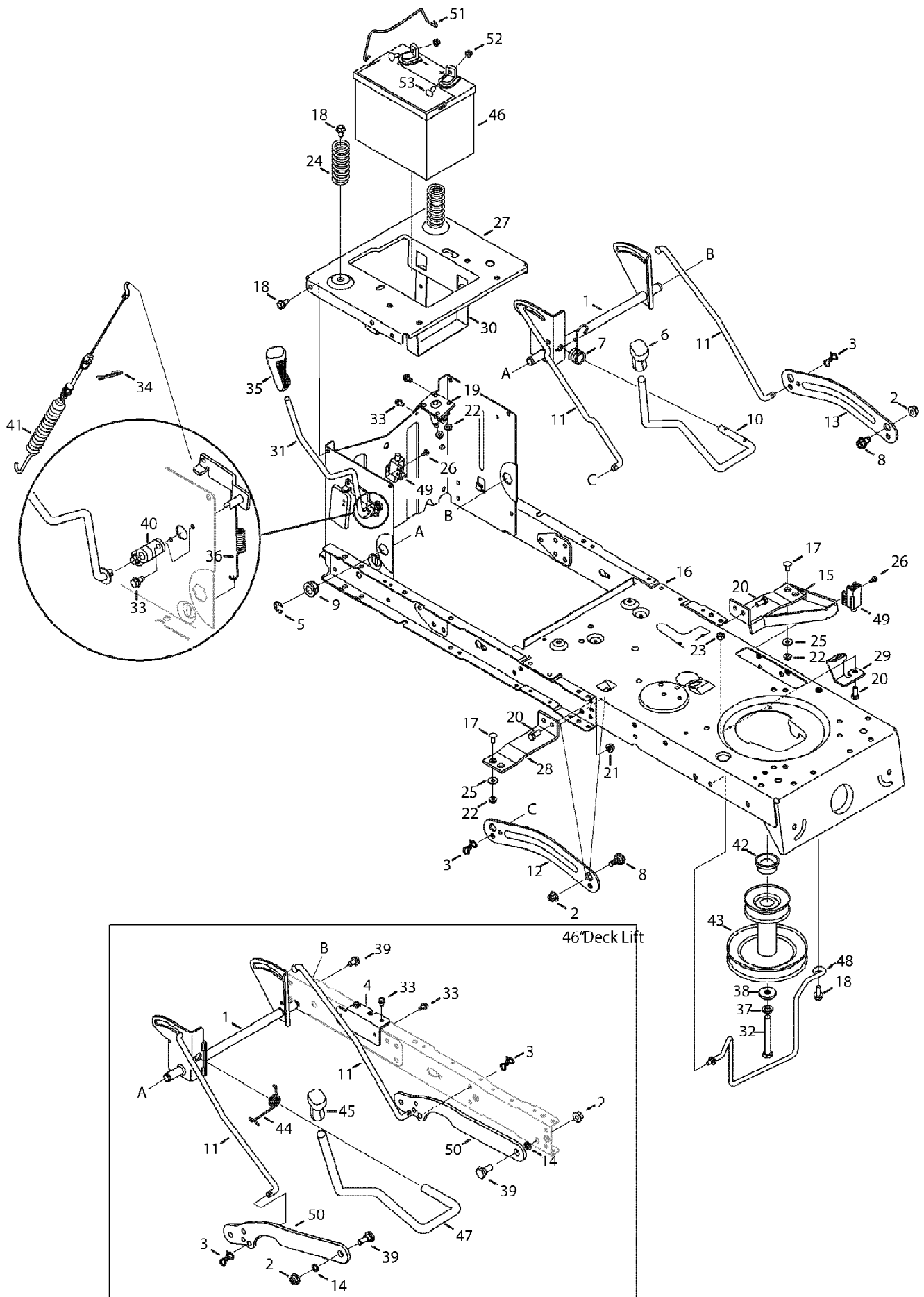


13WX79KT211 Horse (2010)
Engine Accessories

Page 2 of 21

Ref #	Part Number	Qty	S/P/F	Description
1	683-04549-0637	1	/P	Muffler Shield Assembly with Weld
2	710-0227	1	/P	Screw, 8-18 x .500
3	710-04683	1		Screw, 3/8-16 x 1.0
4	710-0599	1	/P	Screw, 1/4-20 x .500
5	710-0642	1	/P	Screw, 1/4-20 x .750
6	710-1314A	1	/P	Socket Screw, 5/16-18 x .750
7	725-0157	1	/P	Cable Tie
8	726-0205	1	/P	Clamp Hose, .490 diameter
9	728-04000	1		Rivet, .188 x .300
10	751-3141-14	1	/P	Oil Drain, Extension Hose
11	751-0564B	1	/P	Muffler Deflector
12	751-10349-28	1	/P	Fuel Hose, Low Permeation
13	751-10353	1		Muffler Deflector Long
14	951-10517A	1	/P	Oil Drain
15	751-11022A	1		Muffler

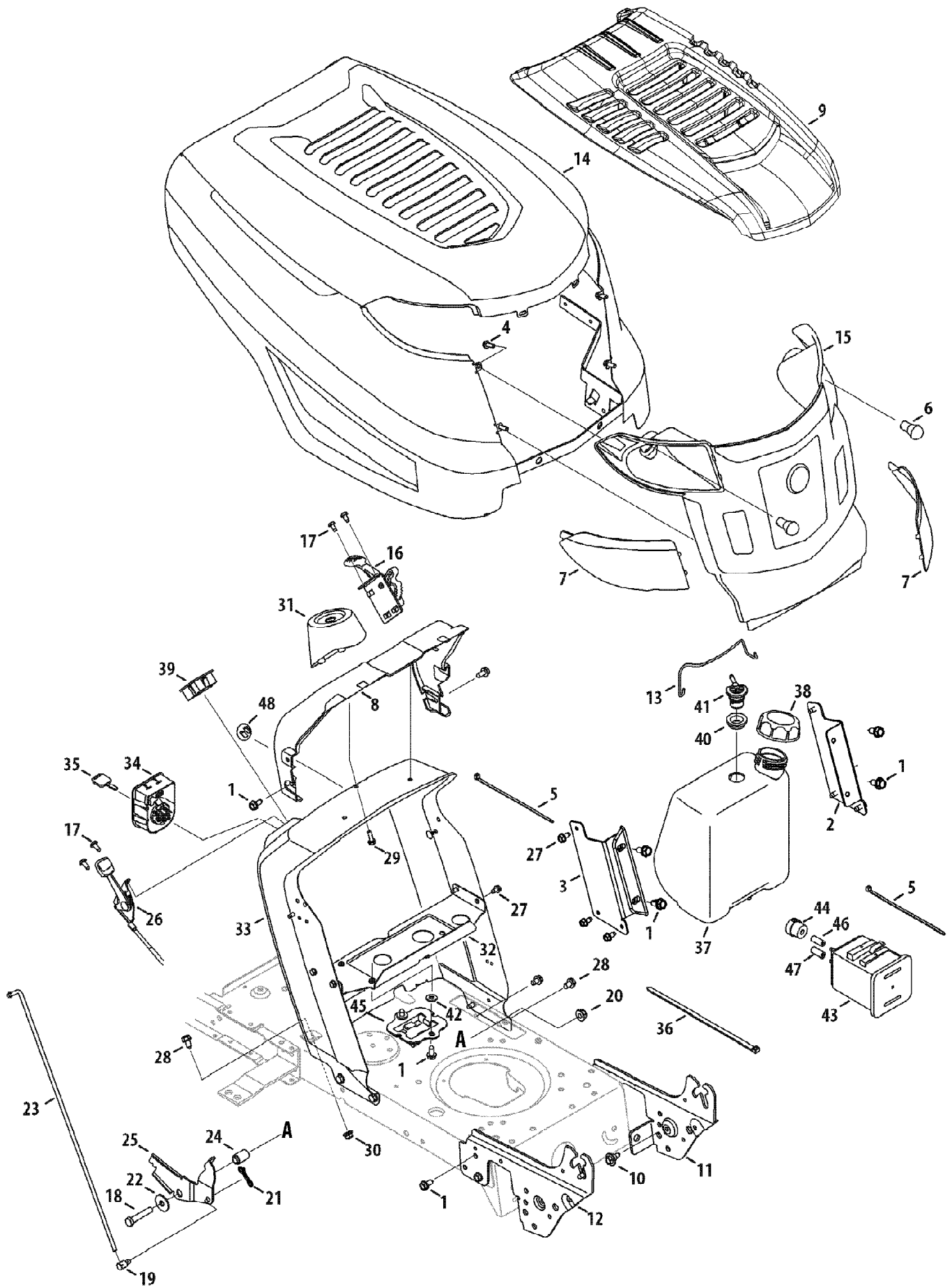


13WX79KT211 Horse (2010)
Frame & PTO Lift

Page 4 of 21

Ref #	Part Number	Qty	S/P/F	Description
1	683-04334-0637	1	/P	Deck Shaft Assembly Lift 46" Deck
2	712-04065	1	/P	Nut, Flange Lock, 3/8-16, GrF
3	714-04040	1		Pin, Cotter, Bow Tie
4	738-05389A-0637	1		Frame Brace Bracket
5	716-0106A	1		Ring, E-Type, .625 Dia.
6	720-0311	1		Grip, Handle, 1/2
7	732-04225	1		Spring, Torsion 42" Deck
8	738-04130	1		Screw, Shoulder, .625 x .175, 3/8-16
9	941-0225	1	/P	Bearing, Hex Flange
10	747-05296	1		Deck Handle, Lift, 42" Deck
11	747-04393	1		Rod, Lift
12	783-04494C-0637	1	/P	Lift Arm, Deck - RH
13	783-04711C-0637	1	/P	Lift Arm, Deck - LH
14	936-0140	1	/P	Washer, Flat, .385 x .62 x .063
15	683-04195-0637	1		Support Bracket Assembly
16	683-04601-0638	1		Frame Assembly - Red
17	710-0134	1	/P	Carriage Screw, 1/4-20 x .62
18	710-04484	1		Screw, 5/16-18, .750
19	725-04439	1		Solenoid
20	710-3008	1	/P	Hex Screw, 5/16-18 x .75
21	712-04063	1	/P	Flange Lock Nut, 5/16-18
22	712-04064	1	/P	Nut, Flange Lock, 1/4-20, GrF
23	912-0429	1	/P	Hex Lock Nut, 5/16-18
24	732-04035	1		Spring, Compr. , 1.28 OD x 3.125
25	736-0173	1	/P	Flat Washer, .28 x .74 x .063
26	738-04237A	1		Shoulder Screw, #10-32 x .500
27	783-04548C-0637	1	/P	Seat Bracket, Frame
28	783-04637-0637	1	/P	Bracket, Runing Board
29	783-04753-0637	1		Frame Support Bracket
30	783-04869A-0637	1	/P	Bracket, Battery
31	647-04096-0637	1	/P	Handle Assembly, PTO
32	710-04608	1		Screw, 7/16-20, 3.25 42" Deck
33	710-0599	1	/P	Screw, 1/4-20, 0.500
34	914-0145	1	/P	Pin, Click, .092 x 1.64
35	720-04049A	1	/P	Grip, Handle, 3/8
36	732-04276A	1	/P	Spring, Extension
37	936-0171	1	/P	Washer, Lock, 7/16
38	736-0322	1	/P	Washer, Flat, .450 x 1.250 x .164
39	938-0380	1	/P	Bolt, Shldr. .500 x .270 3/8-16
40	741-04119	1	S	Bearing, PTO
41	946-04173B	1	S	Cable, Deck Engagement
42	750-0956	1		Spacer, 1.010 x 1.400 x .825, 42" Deck
43	956-04067A	1	/P	Engine Pulley
44	732-04438	1		Spring, Torsion 46" Deck
45	720-0298	1		Grip, Handle, 5/8
46	925-1707D	1	/P	Battery, 155 CCA
47	747-04653	1		Deck Handle, Lift, 46" Deck
48	683-04414-0637	1	/P	Rod, Belt Keeper (46" Deck)
49	725-04363	1		Switch, Interlock
50	783-0678C-0637	1	/P	Deck Lift Link
51	683-04448-0637	1	/P	Battery Hold Down Rod
52	712-0271	1	/P	Nut, Sems, 1/4-20
53	710-04666	1		Screw, Carriage, 1/4-20, .75, Gr5

13WX79KT211 Horse (2010)
Hood & Grille Assembly



13WX79KT211 Horse (2010)
Hood & Grille Assembly

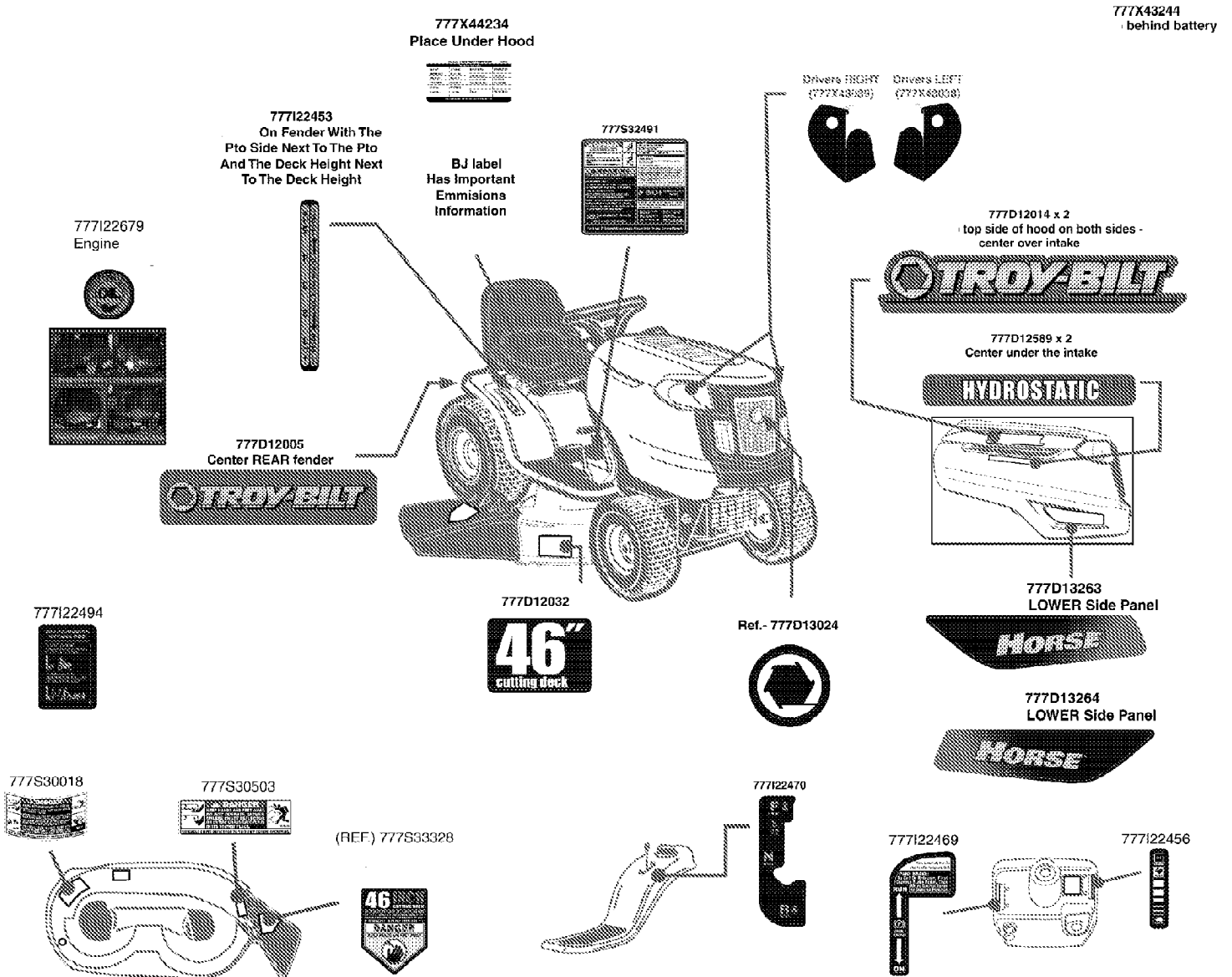
Page 6 of 21

Ref #	Part Number	Qty	S/P/F	Description
1	710-04484	1		Screw 5/16-18 x .750
2	783-06605-0637	1	/P	Fuel Tank Mnt. Bracket - LH If Equipped
3	783-06603-0637	1	/P	Fuel Tank Mnt. Bracket - RH If Equipped
4	710-05108	1		Screw, 1/4 x .750
5	725-0157	1	/P	Cable Tie
6	925-0963	1	/P	Miniature lamp 12V socket
7	731-06095	1		Grill Lens - LH
7	731-06096	1		Grill Lens - RH
8	731-05078C	1	/P	Dash Collar Assembly
9	731-06194A	1	/P	Hood Scoop
10	738-04091A	1	/P	Shoulder Screw .43 x .29
11	783-05327B-0637	1	/P	Support Bracket LH
12	783-05328A-0637	1	/P	Support Bracket RH
13	683-04448-0637	1	/P	Battery Rod
14	683-04441-0638	1		Hood
15	631-04272	1	/P	Grill
16	983-04226	1	/P	Hydro Control Assembly
17	710-04483	1		Screw 1/4-20 x .500
18	710-3144	1	/P	Hex Screw 3/8-16 x 2.00
19	711-0736	1	/P	Ferrule Adjust
20	712-04065	1	/P	Flange Lock Nut 3/8-16
21	714-04040	1		Cotter Pin, Bow Tie
22	936-0133	1	/P	Flat Washer .411 x 1.25 x .100
23	747-04430	1		Control Rod, Speed Selector
23	747-05276	1		Control Rod, Speed California Models (211)
24	750-04465	1		Flang Spacer .390 x .671 x 1.095
25	783-04862	1	/P	Transmission Speed Latch
26	746-04364	1		Throttle/Choke Control Cable
27	710-0599†	1		Hex Screw Washer 1/4-20 x .500 If Equipped
28	710-0604A	1	/P	Screw 5/16-18 x .625
29	710-0895	1		Hex Screw 1/4-15 x .750
30	712-04063	1	/P	Flange lock Nut 5/16-18
31	731-04945	1		Support Shaft
32	783-04584A-0637	1	/P	Gas Tank Support Bracket If Equipped
33	783-04889B-0637	1	S	Dash, RMC/Amp Meter/Choke
34	925-04227B	1	/P	Key Switch Module
35	925-1745A	1	/P	Key
36	726-0230	1	/P	Cable Tie
37	751-0659D	1	/P	Fuel Tank, 2 Gallons
37	751-10782	1	S	Fuel Tank, 1.36 Gallon, CARB
38	751-0603A	1	/P	Fuel Cap
38	951-10947	1	/P	Fuel Cap, CARB
39	925-04156	1	/P	Ammeter Monitor Indicator
40	735-04081	1		Rubber Grommet California Models (211)
41	751-10441	1		Rollover Valve California Models (211)
42	936-3008	1	/P	Washer, Flat, .344 x .750 x .120 California Models (211)
43	951-10589	1	/P	Canister, Carbon, 5 Gallon California Models (211)
44	951-10590	1	/P	Filter, Vent, Canister California Models (211)
45	951-10610	1	/P	Bracket., Adapter, Canister California Models (211)

13WX79KT211 Horse (2010)
Hood & Grille Assembly

Page 7 of 21

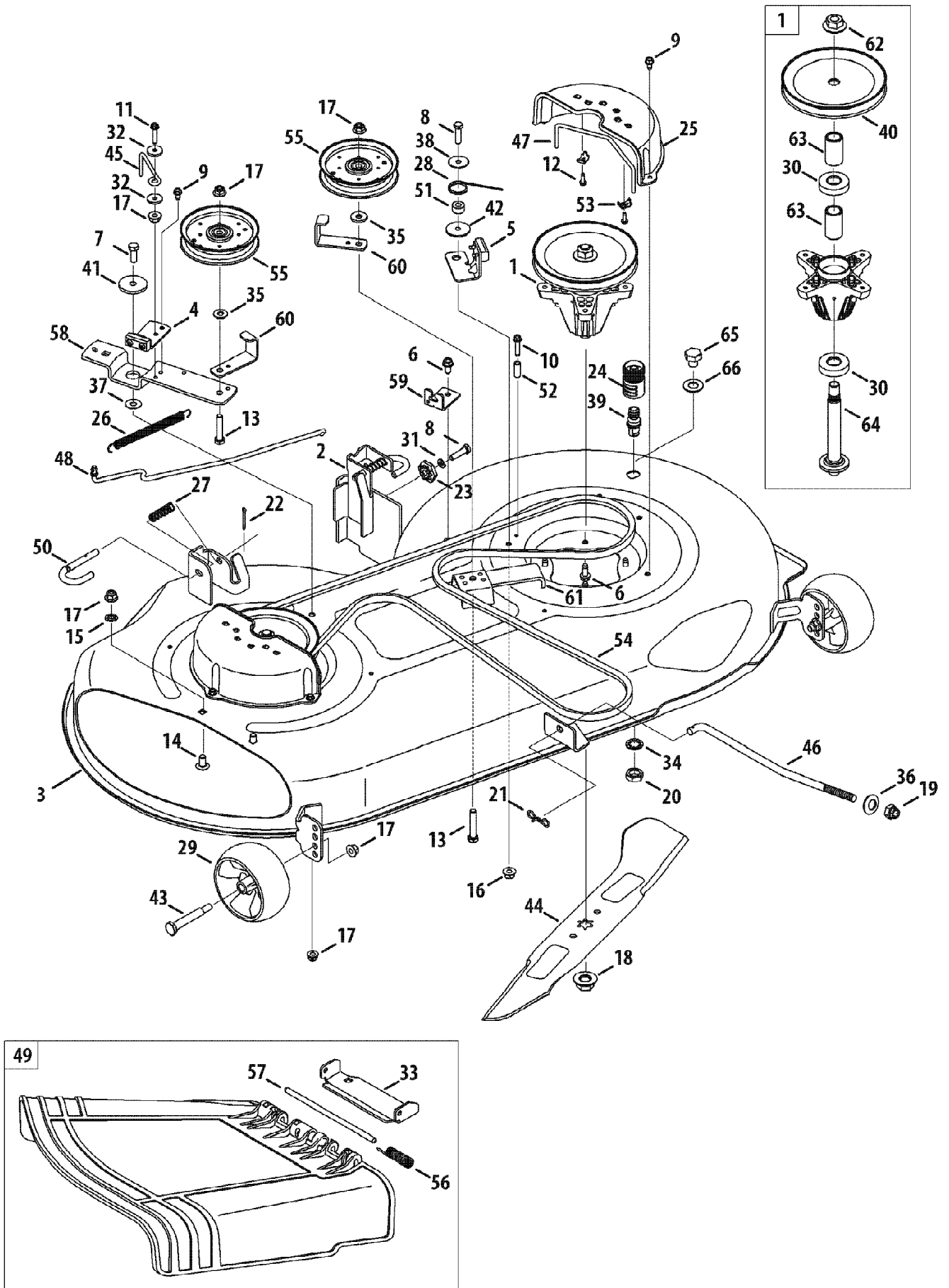
Ref #	Part Number	Qty	S/P/F	Description
46	751-10749	1		Hose, Fuel, Low Perm., White California Models (211)
47	751-10750	1		Hose, Fuel, Low Perm., Yellow California Models (211)
48	731-05265	1		Choke Plug
	725-04479D	1	/P	Harness, Mn Amtr., RMC, Kohler Not Shown
	725-04469	1		Harness, Jmpr., Amtr. Not Shown
	725-04718	1		Harness, Jmpr., Headlight Not Shown



13WX79KT211 Horse (2010)
Label Map

Page 9 of 21

Ref #	Part Number	Qty	S/P/F	Description
777X44234	777X44234	1		LABEL-RDR:PARTSLIST
777I22453	777I22453	1		LABEL-RIDER
777I22679	777I22679	1		LABEL-CHECK ENG OI
777D12005	777D12005	1		LABEL-RIDER REAR FENDER TROY
777I22494	777I22494	1		LABEL- TRANS
777S30018	777S30018	1	/P	LABEL-DECK SAFETY
777S30503	777S30503	1	/P	LABEL-DANGER CHUTE
777S33328	N/A	1		LABEL-RDRCHT:DNGCUT:46CMMN Molded In
777D12032	777D12032	1		LABEL-RIDER DECK TROY 46"
777D13024	777D13024	1		LABEL-TROYBILT/GEAR
777I22470	777I22470	1		LABEL-RIDER:
777I22469	777I22469	1		LABEL- RIDER
777I22456	777I22456	1		LABEL-RIDER
777D13264	777D13264	1		LABEL-RIDER LOWER LH HORSE
777D13263	777D13263	1		LABEL-RIDER LOWER RH HORSE
777D12589	777D12589	1		LABEL-RIDER K-STYLE HOOD HYDRO
777D12014	777D12014	1		LABEL-RIDER HOOD K STYLE TROY
777X43244	777X43244	1		LABEL-LOWE'S SERVICE ADVANTAGE
777X43039	777X43039	1		LABEL-RIDER K STYLE RH
777X43038	777X43038	1		LABEL-RIDER K STYLE LH
777S32491	777S32491	1		LABEL-RIDER:SAFETY



13WX79KT211 Horse (2010)
Mower Deck

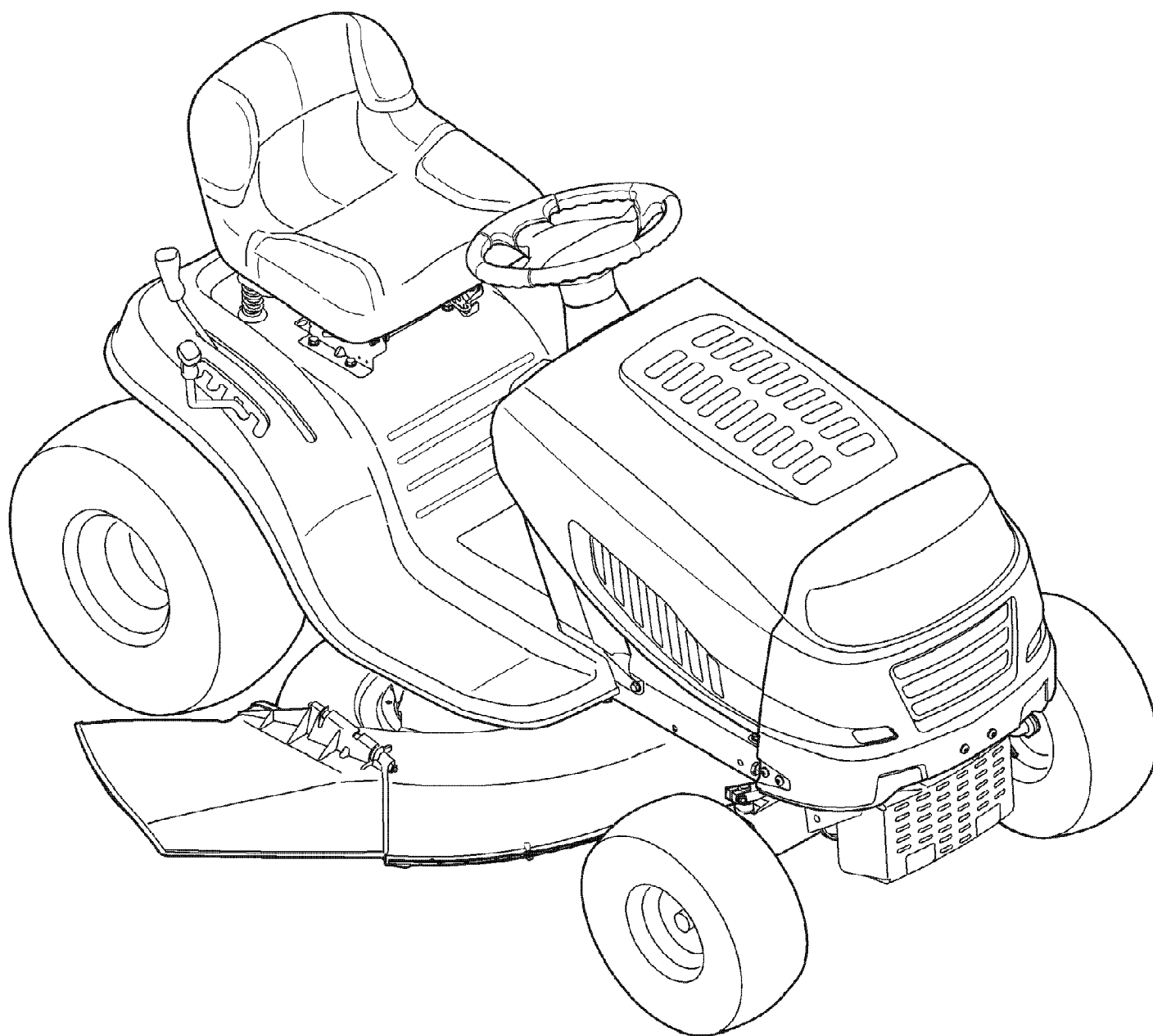
Page 11 of 21

Ref #	Part Number	Qty	S/P/F	Description
1	918-04636A	1	/P	Spindle Assembly, Pul 6.93 Dia
2	683-0254B-0637	1	/P	Bracket Assembly, Deck Hanger, LH
3	983-04578-0637	1	/P	Deck Assembly, Offset, 46" Powder Black
4	983-04511	1	/P	Brake Assembly, Deck, 42/46
5	983-04525	1	/P	Brake Assembly, Deck, 46"
6	710-04484	1		Screw, Self-tapping, 5/16-18, .750,
7	710-0514	1	/P	Hex Screw, 3/8-16, 1.00, Gr5, Std
8	710-0528	1	/P	Hex Screw, 5/16-18, 1.25, Gr5, Std
9	710-0599	1	/P	Screw, Self-tapping, 1/4-20, 0.500
10	710-0778	1	/P	Screw, Self-tapping, 1/4-20, 1.500
11	710-0809	1		Screw, Self-tapping, 1/4-20, 1.250
12	710-1003	1	/P	Screw, B, #10-16, 0.625
13	710-3144	1	/P	Hex Screw, 3/8-16, 2.00, Gr5, Std
14	710-3178	1	/P	Bolt, Carriage, 3/8-16, 0.75, Gr1
15	712-0229	1		Nut, Push, 3/8
16	712-04063	1	/P	Nut, Flange Lock, 5/16-18, Nylon
17	712-04065	1	/P	Nut, Flange Lock, 3/8-16, Nylon
18	712-0417A	1	/P	Nut, Flange, 5/8-18
19	712-04243	1		Nut, Lock, 1/2-13
20	912-0641	1	/P	Nut, Hex, M16-1.5
21	714-04043	1		Bow Tie Cotter Pin
22	914-0470	1	/P	Pin, Cotter, 1/8 x 1.25
23	917-04074	1	/P	Gear, Deck Adjustment
24	921-04041	1	/P	Adapter, Water Port
25	731-06496	1		Belt Cover, Universal
26	932-0384	1	/P	Spring, Extension, .62 x 6.12
27	732-04652	1		Spring, Compression, .535 x 1.751
28	732-04727	1		Spring, Torsion, .992 ID x 1.17 OD
29	734-04155	1		Wheel, Deck, 5.0 Dia Ball
30	941-0919	1	/P	Bearing, Ball, .787 x 1.85 x .551
31	936-0119	1	/P	Washer, Lock, 5/16, Regular Duty
32	936-0176	1	/P	Washer, Flat, .265 x .938 x .120
33	783-06074A	1		Bracket, Chute, 46
34	736-0225	1	/P	Washer, Lock, 5/8, Int Tooth
35	736-0262	1	/P	Washer, Flat, .385 x .870 x .092
36	748-04069	1		Deck Pivot Cup
37	936-0344	1	/P	Washer, Flat, .385 x 1.0 x .030
38	736-0362	1	/P	Washer, Flat, .330 x 1.25 x .06, Ht
39	737-04003D	1	/P	Deck Port, Water
40	756-04356	1		Pulley, Deck, 6.93 Dia
41	738-04162A	1	/P	Spacer, Shoulder, .8840 x .190
42	738-04166	1		Spacer, Shoulder, .5000 x .1475
43	938-3056	1	/P	Bolt, Shoulder, .496 x 2.50, 3/8-16
44	942-04290	1	/P	Blade, Cut, 23.25" 2-In-1
45	747-04530	1		Rod, Belt Keeper, 42 Idler
46	747-05141A	1		Rod, Lift, Deck
47	747-05011	1		Rod, Keeper, Belt
48	747-05052	1		Rod, Control, Brake 46"
49	631-04461	1	S	Chute Assembly, 46"
50	747-1116	1	/P	Rod, Deck Release
51	750-0258	1	/P	Spacer, .315 x .750 x .375
52	750-0566A	1	/P	Spacer, .260 x .375 x 1.030
53	751B221535	1	/P	Clamp, Casing

13WX79KT211 Horse (2010)
Mower Deck

Page 12 of 21

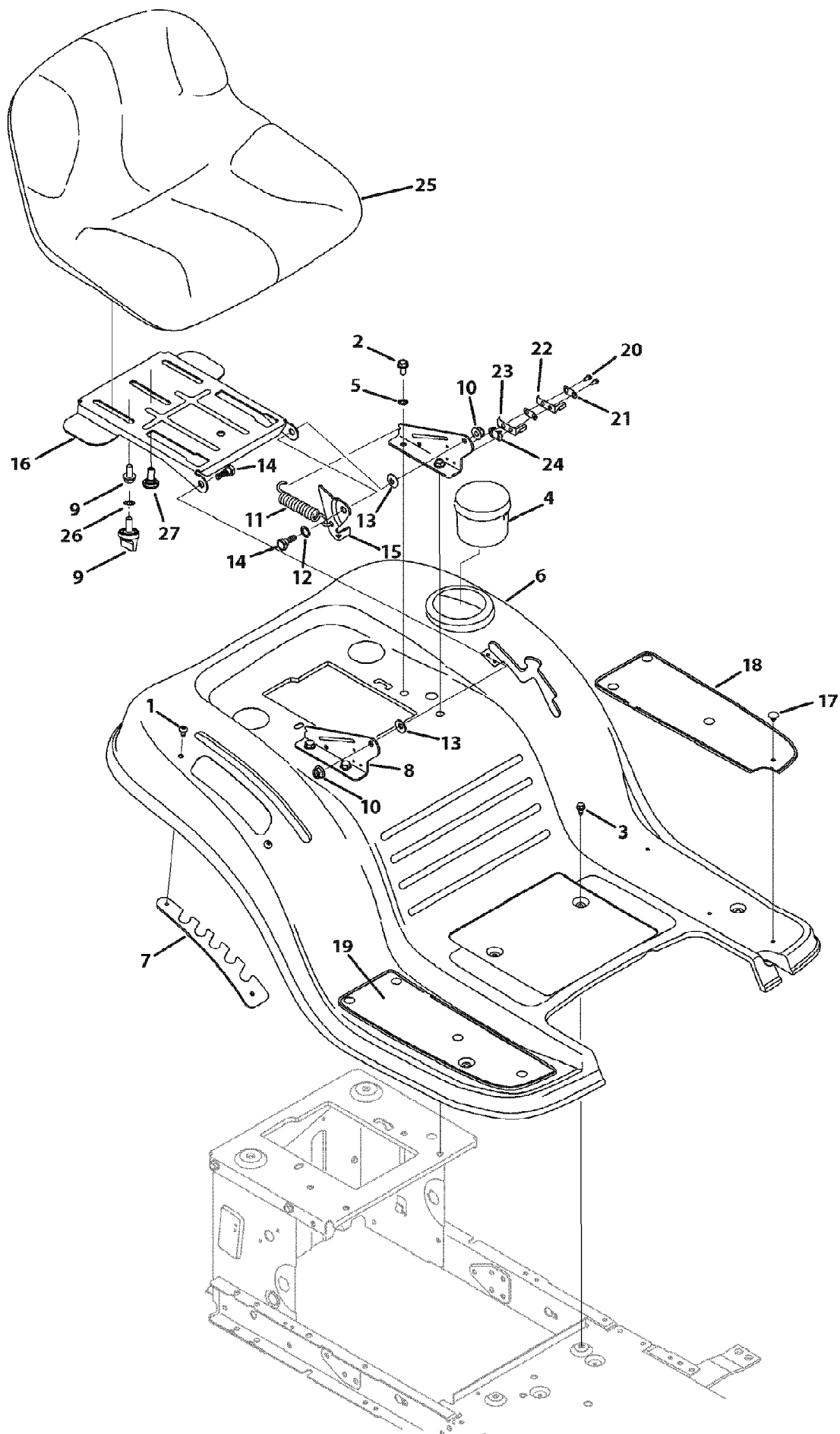
Ref #	Part Number	Qty	S/P/F	Description
54	954-04219	1	/P	Belt, V-Type, A-Sec
55	756-04129B	1	/P	Pulley, Idler, 4.25"Dia
56	732-04372	1		Spring, Torsion, .44 I.D. x 2.0
57	711-04847A	1	S	Pin, Hinge, 7.96
58	783-05946	1		Bracket, Idler, Pivot, 46
59	783-06243-0637	1		Bracket, Cable, Deck Engagement
60	783-06368-0637	1	S	Bracket, Guard, Belt, 4.25 Pulley
61	783-06643-0637	1		Bracket, Support, Deck Idler
62	712-0417A	1	/P	Nut, Flange, 5/8-18
63	750-04936	1		Spacer, .792 x 1.060 x 1.860 Lg
64	738-1186A	1		Shaft, Spindle, 6.11 Lg.
65	736-0187	1	/P	Wash, Flat, .64 X 1.24 X .06, Ht
66	738-04146	1		Plug, Bolt, M16 X 1.5



13WX79KT211 Horse (2010)
Quick Reference

Page 14 of 21

Ref #	Part Number	Qty	S/P/F	Description
	759-3336	1	/P	Spark Plug
	KH-12-050-01-S	1	/P	Oil Filter
	KH-20-883-02-S1	1	/P	Pre Filter
	KH-20-883-02-S1	1	/P	Air Filter
	KH-25-050-21-S	1	/P	Fuel Filter
	751-0603A	1	/P	Fuel Cap
	725-04439	1		Solenoid
	918-04636A	1	/P	Deck Spindles
	942-04290	1	/P	Blades
	712-0417A	1	/P	Blade Nuts
	734-04155	1		Deck Wheels
	923-0448A	1	/P	Ball Joints
	925-1745A	1	/P	Ignition Keys
	N/A	1		Control Cable
	946-04173B	1	S	Deck Engagement Cable
	746-04364	1		Throttle Cable
	954-04252	1	/P	Drive Belt
	954-04219	1	/P	PTO/Deck Spindle Belt
	725-04363	1		Safety Switch - Brake
	725-04363	1		Safety Switch - Deck
	631-04461	1	S	Discharge Chute
	925-1707D	1	/P	Battery
	19A30003OEM	1		Double Bagger 46 inch Attachment
	19A30005100	1		Mulch Kit 46 inch Attachment
	OEM-190-607	1		Tractor Sunshade Attachment
	OEM-190-679	1	/P	Bumper Attachment
	OEM-190-032	1	/P	Snow Thrower, Two Stage Attachment
	OEM-19A-218	1		Rear Weight Kit Rear weight bar w/weight, attachment
	OEM-190-658	1	S	Tire Chains, 20x8 Attachment
	OEM-190-833	1	/P	Front Dozer Blade Attachment



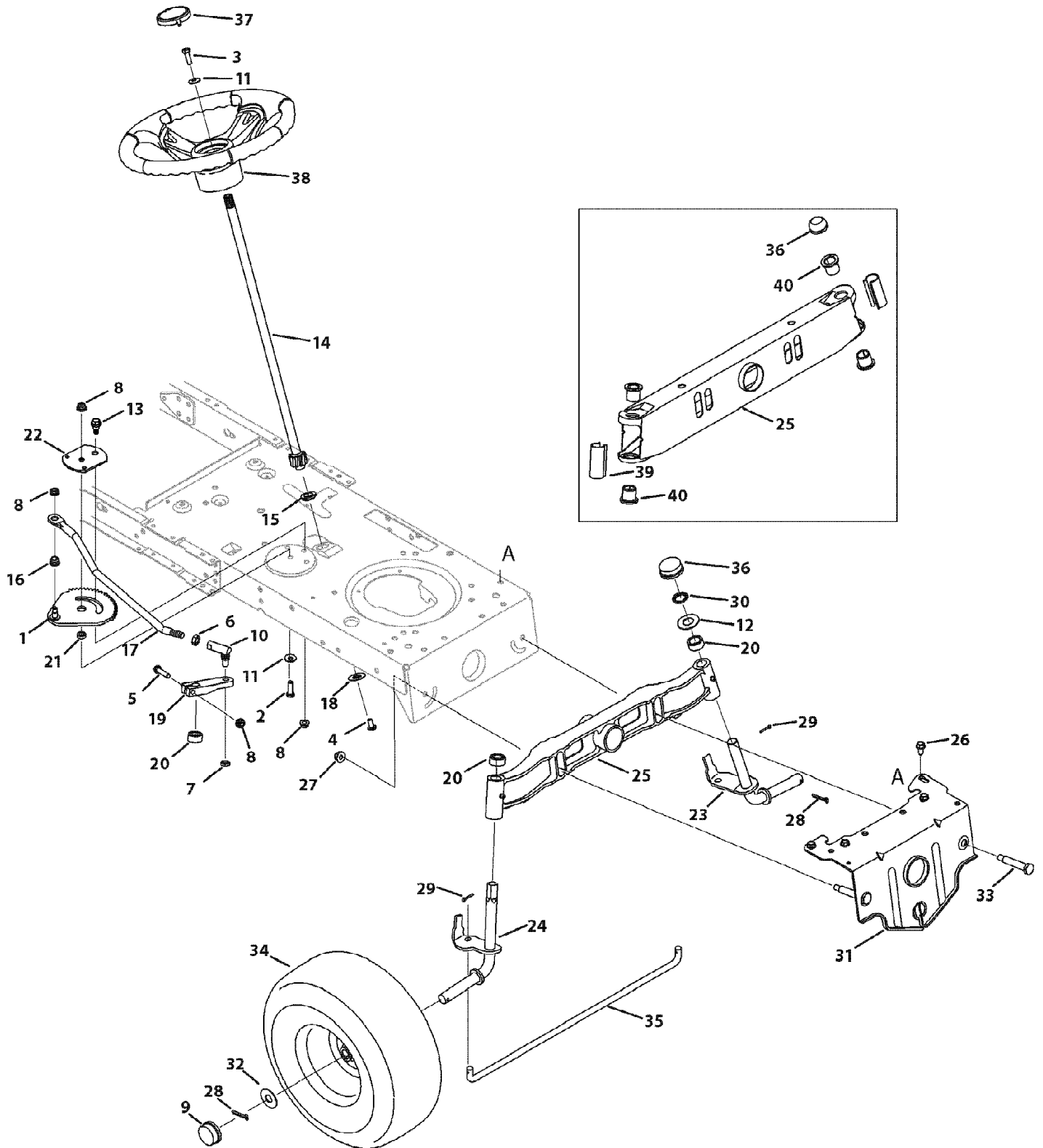
13WX79KT211 Horse (2010)
Seat & Fender

Page 16 of 21

Ref #	Part Number	Qty	S/P/F	Description
1	710-04483	1		Screw, 1/4-20 x .500
2	710-04484	1		Screw, 5/16-18 x .750
3	710-0599	1	/P	Screw Pan Torx Head, 1/4-20 x .500
4	731-04591A	1	/P	Cup Holder
5	736-0607	1	/P	Lock Washer, 5/16
6	783-04593D-0638	1		Fender - Red
7	783-04843-0637	1		Lift Adjuster Bracket
8	783-1489C-0637	1	/P	Seat Mount Bracket
9	710-04482	1		Hex Flange, 3/8-16 x .875
9	720-04061	1		Knob If Equipped
10	712-04063	1	/P	Flangelock Nut, 5/16-18
11	732-1184	1	/P	Extension Spring
12	936-0108	1	/P	Flat Washer, .510x .750 x .033
13	736-0242	1	/P	Bell Washer, .340 x .872 x .060
14	938-0296	1	/P	Shoulder Screw, 5/16-18 x .437 x .268
15	783-0209D	1	/P	Lift Seat Bracket
16	783-04081C-0637	1	/P	Pivot Seat Manual Adjust Bracket
17	726-04072A	1	/P	Ratchet Clip, .250 x .500
18	735-04047	1		Foot Pad, LH
19	735-04048	1		Foot Pad, RH
20	710-0227	1	/P	Screw, 8-18 x .500
21	726-0279	1		Insulator Plate
22	925-1303	1	/P	Outer Seat Spring
23	725-1439	1		Inner Seat Spring
24	726-0278	1		Insulator Boss Plate
25	757-04088	1		High Back Seat
26	736-0148	1		Lock Washer If Equipped
27	738-04012A	1	/P	Screw., Shldr., .625 x .145 x 3/8-16 If Equipped

13WX79KT211 Horse (2010)
Steering

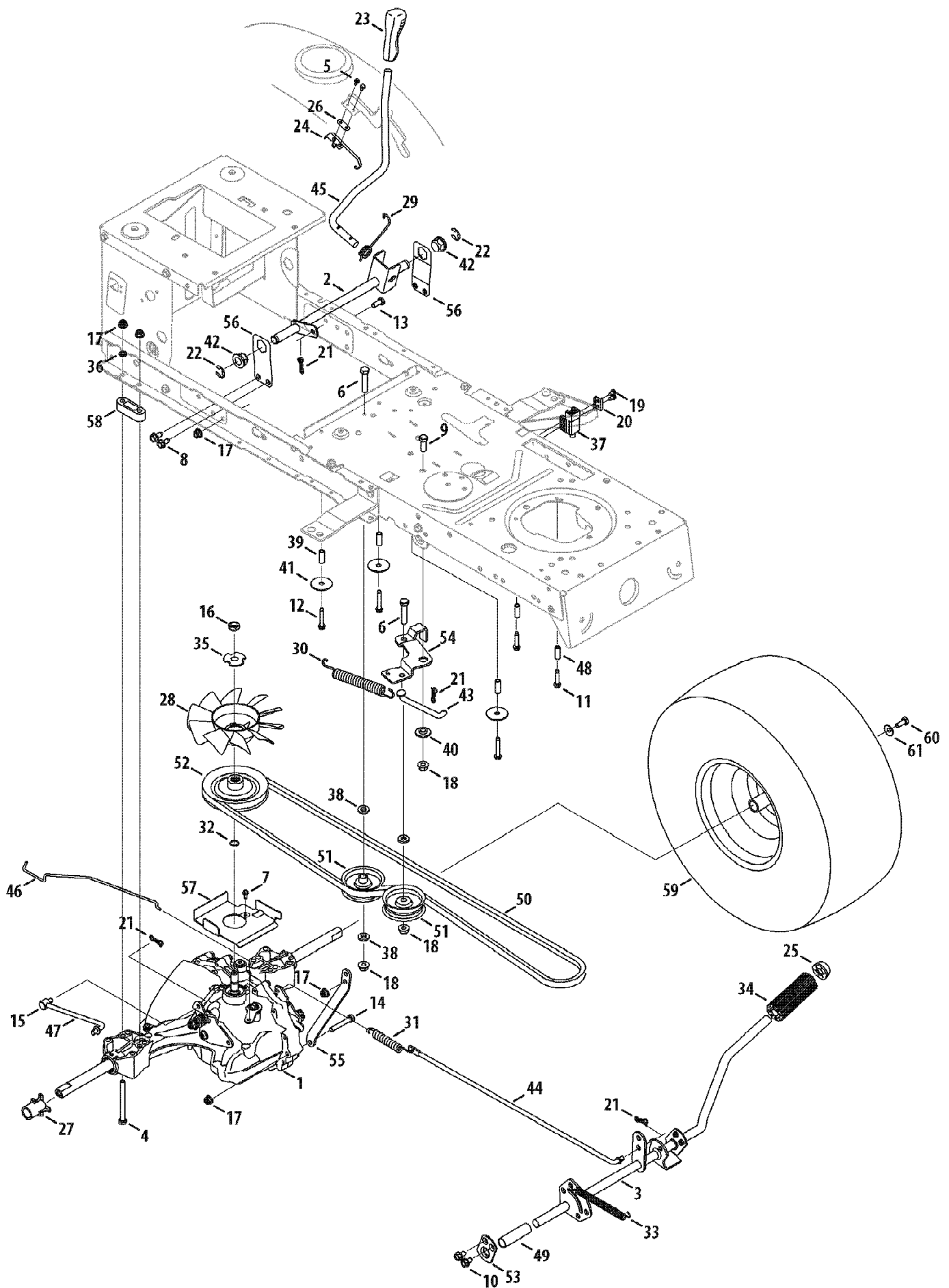
Page 17 of 21



13WX79KT211 Horse (2010)
Steering

Page 18 of 21

Ref #	Part Number	Qty	S/P/F	Description
1	617-04024	1	S	Gear Assembly, Steering
2	710-0376	1	/P	Screw, 5/16-18, 1.00, Gr5
3	710-0643	1	/P	Screw, 5/16-18, 1.00, Gr5, Lock
4	710-1309	1	/P	Screw, Mach, 5/16-18, 0.750
5	710-3180	1	/P	Screw, 5/16-18, 1.75, Gr5
6	912-0240	1	/P	Nut, Jam, 7/16-20, Gr2
7	912-0214	1	/P	Nut, Hex Lock, 3/8-24
8	712-04063	1	/P	Nut, Flange Lock, 5/16-18, Grf
9	931-0484A	1	/P	Hub Cap
10	923-0448A	1	/P	Ball Joint, 7/16-20, Lock
11	736-0242	1	/P	Washer, Bell, .340 x .872 x .060
12	936-0316	1	/P	Washer, Flat, .78 x 1.59 x .60
13	738-04141	1		Shoulder Screw, .435 x .3485, 5/16-18
14	738-0919A	1	/P	Steering Shaft, 5/8 Spline x 21.86
15	941-04124	1	/P	Bearing, Flange, Hex 5/8
16	941-04454	1	/P	Flange Bearing .375 ID x .5 OD
17	747-04298	1		Drag Link, Steering
18	948-0389	1	/P	Cap, 1.25 x .16
19	748-04065-0637	1	/P	Steering, Block
20	748-04068	1		Spacer, .710 ID x .125 OD x .56
21	750-04418	1		Spacer, .322 ID x .625 OD x .21
22	783-04644	1	S	Stabilizer Plate, Gear Segment
23	938-04014A-0637	1	/P	Axle Assembly, LH (46" Deck)
24	938-04013	1	/P	Axle Assembly, RH (46" Deck)
25	719-04177A	1		Pivot Bar, Cast
26	710-04484	1		Screw, 5/16-18, 0.750
27	712-04065	1	/P	Nut, Flange Lock, 3/8-16, GrF
28	714-04039	1		Pin, Cotter, 5/32, 1.25
29	914-0474	1	/P	Pin, Cotter, 1/8 x 0.75
30	726-04035	1		Push Nut 3/4 Dia.
31	783-05326B-0637	1	/P	Pivot Bar Bracket
32	736-04228A	1		Washer, Flat, .781 x 1.59
33	738-04128	1		Scr., Shlder, .500 x 2.380, 3/8-16
34	634-04639	1		Wheel Ass'y, Sq. Shldr., 15 x 6 x 6.5
34	734-1731	1		Tire Only 15 x 6 x 6 Not shown
34	741-0516B	1	/P	Flange Bearing Not shown
34	741-0990B	1	/P	Flange Bearing, .76 ID w/Lube Ftg Not shown
35	747-04299A	1	/P	Tie Rod
36	731-04693	1		Push Cap, Cast
37	731-04681	1		Cap, Steering Wheel (Troy-Bilt)
38	631-04028	1		Steering Wheel, Standard Grip
39	731-04057A	1		Std. Axle Cap
40	741-0660A	1	/P	Bearingg., Flg.



13WX79KT211 Horse (2010)
Transmission

Page 20 of 21

Ref #	Part Number	Qty	S/P/F	Description
1	918-04892	1	/P	Hydro Transmission
2	647-04200	1		Hydro Handle Control Assembly
3	647-04202-0637	1		Hydro Pedal Assembly
4	710-1266	1	/P	Hex Screw, 5/16-18 x 3.5
5	710-0227	1	/P	Screw, #8-18:0.500
6	710-0347	1	/P	Hex Screw, 3/8-16:1.75
7	710-0224	1	S	Screw, #10-16:0.500
8	710-04484	1		Screw, 5/16-18:.750
9	710-0514	1	/P	Hex Screw, 3/8-16:1.00
10	710-0604A	1	/P	Screw, 5/16-18:0.625
11	710-0809	1		Screw, 1/4-20:1.250
12	710-1026	1	/P	Screw, 1/4-20 x 1.75
13	710-3008	1	/P	Hex Screw, 5/16-18:.75
14	710-3103	1	/P	Screw, 5/16-18 x 2.00
15	711-04448	1		Ferrule, 5/16-24 X .312 DIA.
16	912-0346	1	/P	Jamlock Nut, 1/2-20
17	712-04063	1	/P	Flangelock Nut, 5/16-18
18	712-04065	1	/P	Flangelock Nut, 3/8-16
19	728-04021	1		Rivet
20	17962	1		Plate Switch
21	714-04040	1		Cotter Pin, Bow Tie
22	716-0106A	1		E Ring, .625 DIA
23	720-0311	1		Handle Grip
24	725-04249	1		Hydro Spring Switch
25	726-0214	1	/P	Push Cap, 5/8
26	926-0320	1	/P	Insulator Plate Nut
27	731-05299A	1		Sleeve, .765 ID X 1.500 LG
28	731-06098	1		Hydro Fan
29	732-04225	1		Torsion Spring
30	732-04229	1		Extension Spring, .75 DIA. X 6.02
31	732-0716D	1	/P	Extension Spring, .59 OD X 4.00 LG
32	732-0729	1	/P	Wire Ring
33	732-0963	1		Extension Spring, .50 DIA X 6.37 LG
34	735-0239	1	/P	Foot Pad, 4.0
35	736-04263	1		Lock Washer, TRANS HYDRO
36	736-0607	1	/P	Lock Washer, 5/16 EXT TOOTH
37	925-04039	1	/P	Switch Interlock
38	736-3010	1		Flat Washer, .407X.812X.135:HT
39	750-04456	1		Spacer, .260 x .372 x 1.420
40	738-04430	1		Shldr Spacer, 1.375 ID X .380 x 1.54
41	736-0430	1	/P	Flat Washer, .350 x 1.59 x .062
42	941-0225	1	/P	Hex Flange Bearing
43	747-04283A	1	/P	Declutching Rod
44	747-05242	1		Brake Rod
45	747-04296A	1	/P	Hydro Control Handle
46	747-05245	1		Hydro Bypass Rod
47	747-04407A	1		Hydro Control Rod
48	750-0566A	1	/P	Spacer, .260 x .375 x 1.030 LG
49	750-0802	1		Spacer, .640 ID X .76 OD X 2.63
50	954-04252	1	/P	V Belt, 4L SEC X 84.17
51	756-04224	1	/P	Flat Idler Pulley2.75 OD
52	756-04308	1		Input Pulley
53	783-04536B-0637	1	/P	Support Pedal Bracket

13WX79KT211 Horse (2010)
Transmission

Page 21 of 21

Ref #	Part Number	Qty	S/P/F	Description
54	783-04570B-0637	1	/P	Idler Arm
55	783-06551	1		Torque Bracket
56	783-04585A	1		Handle Bracket
57	783-06558-0637	1	/P	Belt Support Bracket
58	948-0334	1	/P	Spacer, T-Axle
59	634-0104-0911	1	/P	Wheel, 20 x 8 x 8 - Grey
60	710-0627	1	/P	Hex Screw, 5/16-24 x .750
61	736-0242	1	/P	Bell Washer, .340 x .872 x .060
	725-04990	1		Harness, Jmpr, Hydro Not Shown