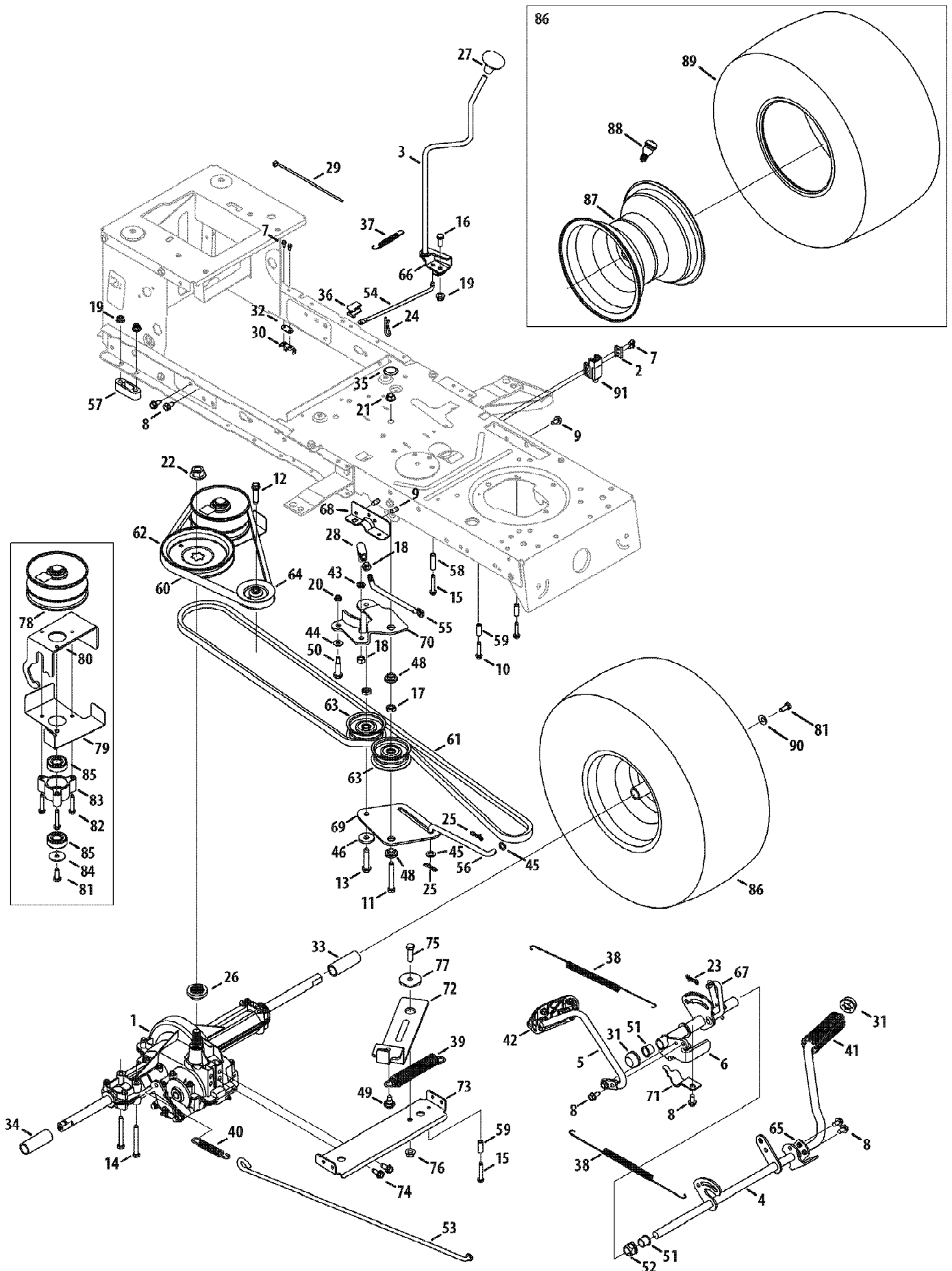


13WX78KS066 Bronco (2010)
Drive & Transmission

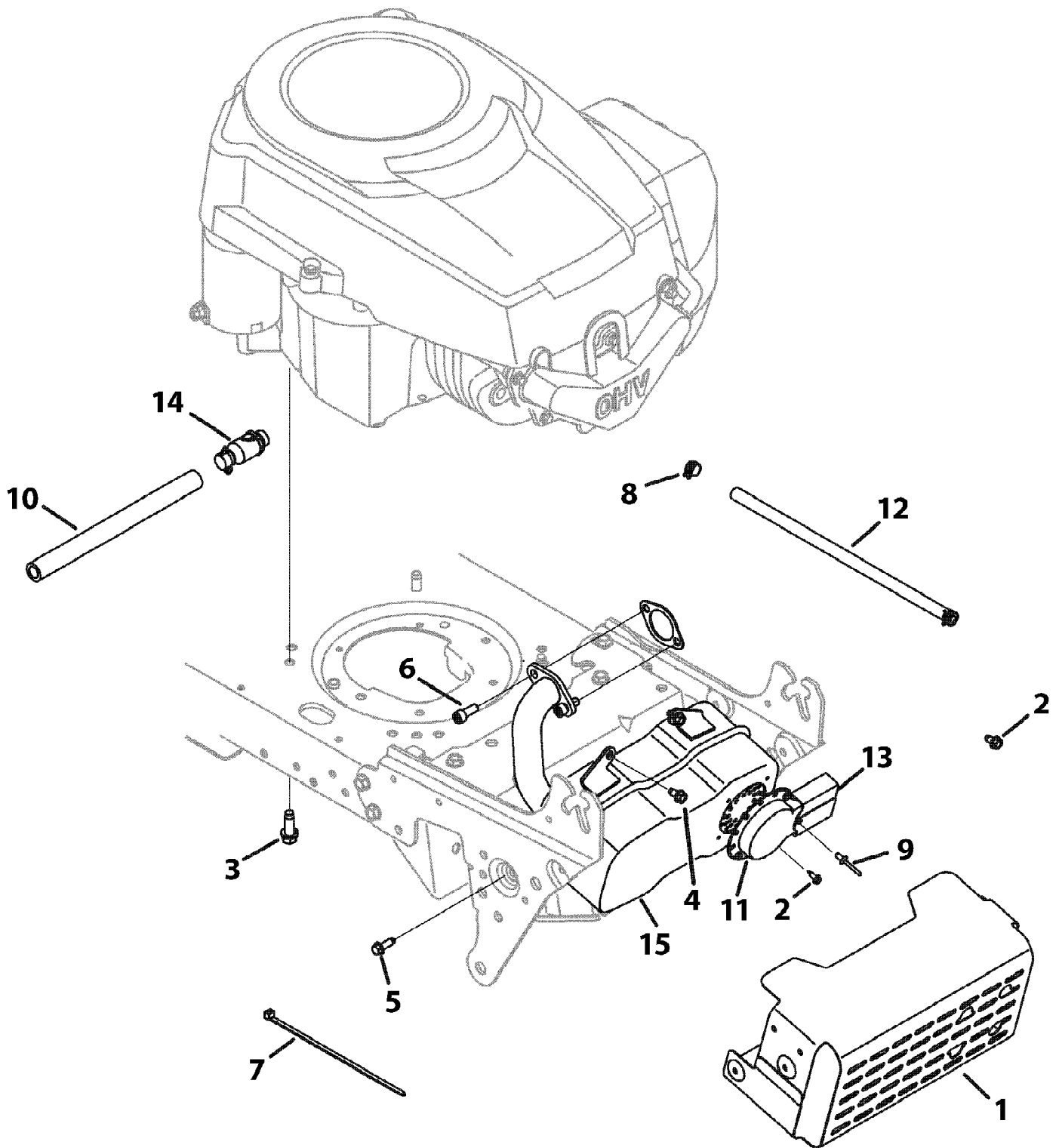


13WX78KS066 Bronco (2010)
Drive & Transmission

Page 2 of 22

| Ref # | Part Number | Qty | S/P/F | Description |
|-------|----------------|-----|-------|---------------------------------------|
| 1 | 918-04566 | 1 | /P | Drive Assembly, AutoDrive |
| 2 | 17962 | 1 | | Plate Switch |
| 3 | 647-04035 | 1 | | Lever Assembly, Shift |
| 4 | 647-04201-0637 | 1 | | Pedal Assembly, Drive |
| 5 | 647-04203-0637 | 1 | /P | Pedal Assembly, Control |
| 6 | 683-04607 | 1 | | Bracket Assembly, Pedal |
| 7 | 710-0227 | 1 | /P | Screw, ab, #8-18, 0.500, Hxindwsh |
| 8 | 710-04484 | 1 | | Screw, tt, 5/16-18, .750, Hxindwsh |
| 9 | 710-0604A | 1 | /P | Screw, tt, 5/16-18, 0.625, Hxindwsh |
| 10 | 710-0809 | 1 | | Screw, tt, 1/4-20, 1.250, Hxindwsh |
| 11 | 710-0859 | 1 | /P | Hhcs, 3/8-16, 2.50, Gr5, Std |
| 12 | 710-1007 | 1 | /P | Screw, ttsems, 3/8-16, 1.500, Hxlvsh |
| 13 | 710-1008 | 1 | | Screw, ttsems, 3/8-16, 1.875, Hxlvsh |
| 14 | 710-1266 | 1 | /P | Hhcs, 5/16-18, 3.50, Gr5, Std |
| 15 | 710-1325 | 1 | /P | Screw, tt, 1/4-20, 1.625, Hxindwsh |
| 16 | 710-3008 | 1 | /P | Hhcs, 5/16-18, .75, Gr5, Std |
| 17 | 912-0240 | 1 | /P | Nut, jam, 7/16-20, Gr2 |
| 18 | 712-0241 | 1 | /P | Nut, hex, 3/8-24, Gr5 |
| 19 | 712-04063 | 1 | /P | Nut, flglk, 5/16-18, Grf, nylon |
| 20 | 712-04064 | 1 | /P | Nut, flglk, 1/4-20, Grf, nylon |
| 21 | 912-0431 | 1 | /P | Nut, flglk, 3/8-16, Grf, top Lk |
| 22 | 712-0700 | 1 | /P | Nut, flg, 9/16-18, Gr2 |
| 23 | 914-0111 | 1 | /P | Pin, cot, 3/32, 1.0 |
| 24 | 914-0209 | 1 | /P | Pin, cotter Int- .125 Dia |
| 25 | 714-04040 | 1 | | Pin, cotter, bow-Tie 72 |
| 26 | 718-04407 | 1 | | Hub, Pulley, 5/8 Spline |
| 27 | 720-04028 | 1 | | Knob, Shift |
| 28 | 923-3018 | 1 | /P | Ball, joint |
| 29 | 725-0157 | 1 | /P | Cable, tie, 3/16 X .05 X 7.4 |
| 30 | 725-1644 | 1 | | Switch, Springing, Short |
| 31 | 726-0214 | 1 | /P | Cap, push 5/8 |
| 32 | 926-0320 | 1 | /P | Plate, Insulator Nut |
| 33 | 731-04602 | 1 | | Sleeve, .758 X .821 X 3.3125 |
| 34 | 731-04604 | 1 | | Sleeve, .758 X .821 X 2.4375 |
| 35 | 731-06330 | 1 | | Plug, deck Hole, 7/8 |
| 36 | 731-06894 | 1 | | Bearing, Shift Rod |
| 37 | 732-04488 | 1 | | Spring, extension, .38 Od X 3.25 Lg |
| 38 | 732-04612 | 1 | | Spring, extension, .70 Dia X 12.00 Lg |
| 39 | 732-04616 | 1 | | Spring, extension, .97 Od X 6.18 Lg |
| 40 | 732-0716D | 1 | /P | Spring, extension, .59 Od X 4.00 Lg |
| 41 | 735-0239 | 1 | /P | Pad, foot, 4.0 Long |
| 42 | 735-0662 | 1 | | Pad, Control |
| 43 | 936-0169 | 1 | /P | Washer, lock, 3/8, Regular Duty |
| 44 | 736-0173 | 1 | /P | Washer, flat, .28 X .74 X .063 |
| 45 | 936-0185 | 1 | /P | Washer, flat, .375 X .738 X .063 |
| 46 | 736-0322 | 1 | /P | Washer, flat, .450x1.250x.164, Ht |
| 48 | 738-0372B | 1 | /P | Spacer, Drive, 1.00 X .38 X .38 |
| 49 | 738-04091A | 1 | /P | Screw, Drive, .43x.29, Tt, 5/16-18 |
| 50 | 938-0572 | 1 | /P | Screw, shld, .374 Dia. X 1.16 Lg. |
| 51 | 741-0495 | 1 | /P | Bearing, flg, .630 ldx .695 Od X .60 |
| 52 | 741-3065B | 1 | /P | Bearing, hex Flg, .628 ld, split |
| 53 | 747-05188 | 1 | | Rod, brake,Trans |
| 54 | 747-05243 | 1 | | Rod, shift, 46" |

| Ref # | Part Number | Qty | S/P/F | Description |
|-------|-----------------|-----|-------|---------------------------------------|
| 55 | 747-05251A | 1 | | Rod, adj, Idler, 3/8 |
| 56 | 747-05307 | 1 | | Rod, trans, footPedalal Bypass |
| 57 | 948-0334 | 1 | /P | Spacer, T-Axle .68 |
| 58 | 750-04456 | 1 | | Spacer, .260 X .372 X 1.420 Lg |
| 59 | 750-0566A | 1 | /P | Spacer, .260 X .375 X 1.030 Lg |
| 60 | 954-04208 | 1 | /P | Belt, v Typ, 5l X 40.9 Lg Poly |
| 61 | 954-0467 | 1 | S | Belt, v Typ, 5l, 90.80, Poly |
| 62 | 956-04002 | 1 | /P | Pulley, v Typ, 7.25 Dia Spun |
| 63 | 756-04224 | 1 | /P | Pulley, Idler, flat 2.75 Od |
| 64 | 756-04325 | 1 | /P | Pulley, Idler, v-Type X 3.06 |
| 65 | 783-04536B-0637 | 1 | /P | Bracket, Pedal, support |
| 66 | 783-04595A | 1 | | Bracket, Shift, adj |
| 67 | 783-06278 | 1 | | Plate, Bracket, reinforcement |
| 68 | 783-06562-0637 | 1 | | Bracket, Pedal, frame Rh |
| 69 | 783-06570 | 1 | | Bracket, Idler, center Dbl |
| 70 | 783-06592 | 1 | | Bracket, Idler, dbl AutoDriveive Lt-5 |
| 71 | 783-06641 | 1 | | Bracket, supt, Pedalal Stap |
| 72 | 683-04521 | 1 | | Bracket Assembly, Idler |
| 73 | 683-04606 | 1 | | Bracket Assembly, AutoDrive |
| 74 | 710-1260A | 1 | /P | Screw, tt, 5/16-18, 0.750, Hxindwsh |
| 75 | 710-3005 | 1 | /P | Hhcs, 3/8-16, 1.25, Gr5, Std |
| 76 | 712-04065 | 1 | /P | Nut, flglk, 3/8-16, Grf, nylon |
| 77 | 738-04162A | 1 | /P | Spacer, Drive, .8840 X .190 |
| 78 | 956-04015A | 1 | /P | Pulley Assembly, var Spd, 4.75 Od |
| 79 | 683-04522 | 1 | | Keepr Assembly, belt |
| 80 | 683-04612-0637 | 1 | | Bracket Assembly, vari Painted |
| 81 | 710-0627 | 1 | /P | Hhcs, 5/16-24, .750, Gr5, Lock |
| 82 | 710-0778 | 1 | /P | Screw, tt, 1/4-20, 1.500, Hxindwsh |
| 83 | 718-04261 | 1 | | Cup, Bearing |
| 84 | 736-0362 | 1 | /P | Washer, flat, .330 X 1.25 X .06, Ht |
| 85 | 941-0600 | 1 | /P | Bearing, ball, 17x40x12, 6203, Ds |
| 86 | 634-0104-0911 | 1 | /P | Wheel, 20 x 8 x 8, 42" |
| 87 | 634-04369-0662 | 1 | | Rim Assembly:8.0 X 7.0 X .750 Id |
| 88 | 934-0255 | 1 | /P | Valve, tubeless Air |
| 89 | 734-1730-0901 | 1 | /P | Tire, 20 X 8 X 8 Sq Sh |
| 90 | 736-0242 | 1 | /P | Bell Washerer, .340 x .872 x .060 |
| 91 | 725-04363 | 1 | | Switch Interlock |

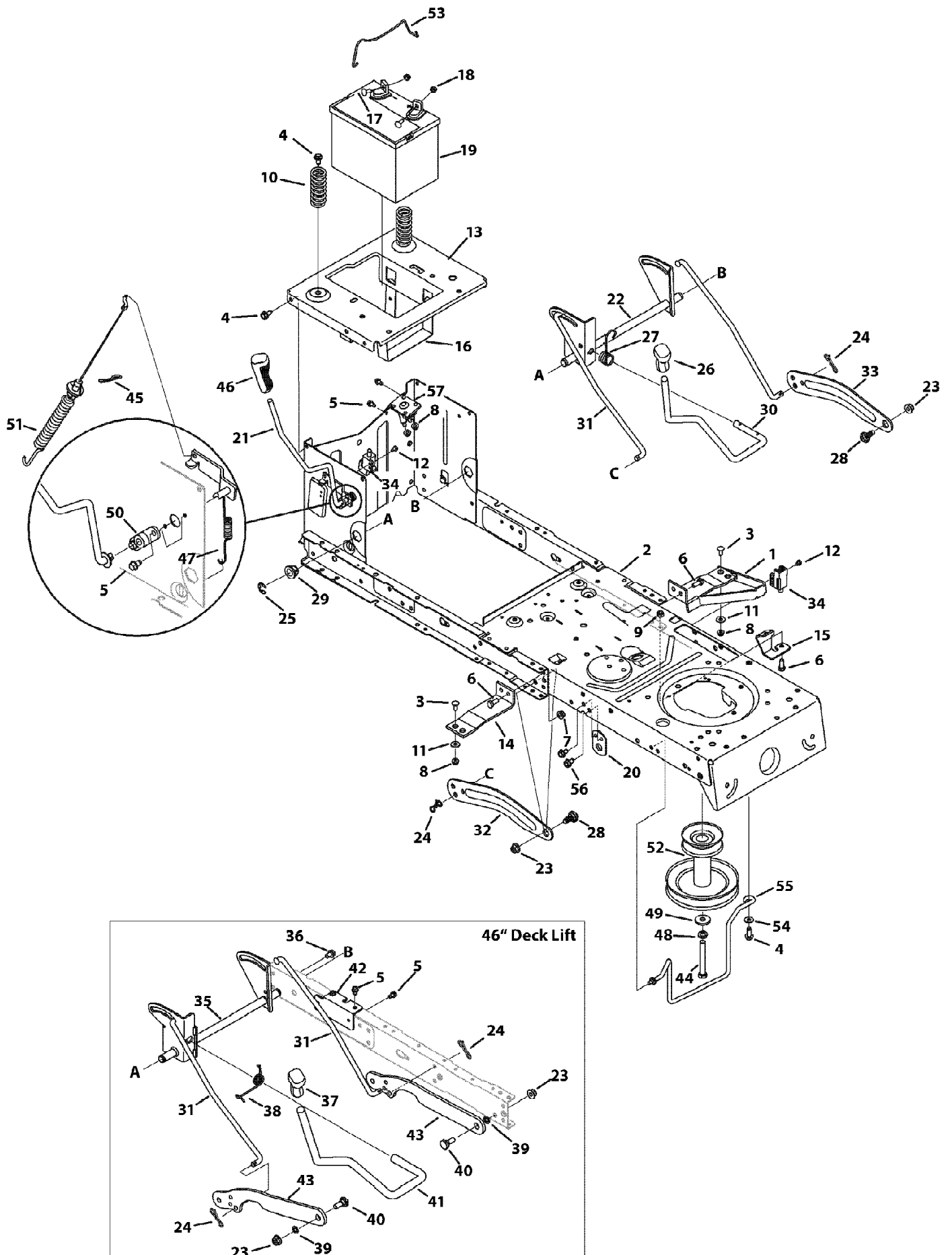


13WX78KS066 Bronco (2010)
Engine Accessories Kohler

Page 5 of 22

| Ref # | Part Number | Qty | S/P/F | Description |
|-------|----------------|-----|-------|-----------------------------------|
| 1 | 683-04549-0637 | 1 | /P | Muffler Shield Assembly with Weld |
| 2 | 710-0227 | 1 | /P | Screw, 8-18 x .500 |
| 3 | 710-04683 | 1 | | Screw, 3/8-16 x 1.0 |
| 4 | 710-0599 | 1 | /P | Screw, 1/4-20 x .500 |
| 5 | 710-0642 | 1 | /P | Screw, 1/4-20 x .750 |
| 6 | 710-1314A | 1 | /P | Socket Screw, 5/16-18 x .750 |
| 7 | 725-0157 | 1 | /P | Cable Tie |
| 8 | 726-0205 | 1 | /P | Clamp Hose, .490 diameter |
| 9 | 728-04000 | 1 | | Rivet, .188 x .300 |
| 10 | 751-3141-14 | 1 | /P | Oil Drain, Extension Hose |
| 11 | 751-0564B | 1 | /P | Muffler Deflector |
| 12 | 751-10349-28 | 1 | /P | Fuel Hose, Low Permeation |
| 13 | 751-10353 | 1 | | Muffler Deflector Long |
| 14 | 951-10517A | 1 | /P | Oil Drain |
| 15 | 751-11022A | 1 | | Muffler |

13WX78KS066 Bronco (2010)
Frame & PTO Lift



13WX78KS066 Bronco (2010)
Frame & PTO Lift

Page 7 of 22

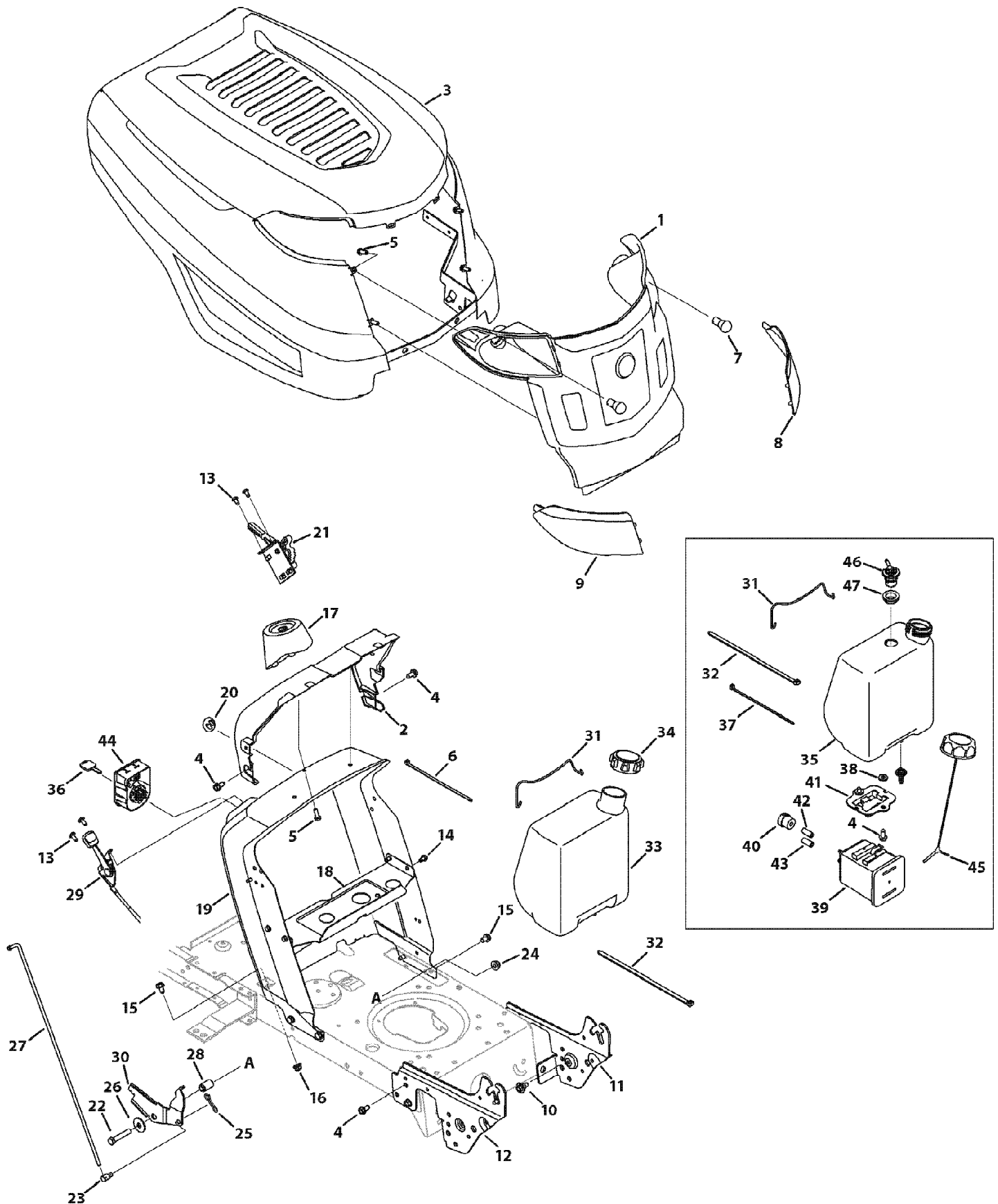
| Ref # | Part Number | Qty | S/P/F | Description |
|-------|-----------------|-----|-------|-------------------------------------|
| 1 | 683-04195-0637 | 1 | | Support Bracket |
| 2 | 683-04601-0637 | 1 | | Frame Assembly |
| 3 | 710-0134 | 1 | /P | Screw Carriage, 1/4-20 x .62 |
| 4 | 710-04484 | 1 | | Screw 5/16-18 x .750 |
| 5 | 710-0599 | 1 | /P | Screw, 1/4-20 x .500 |
| 6 | 710-3008 | 1 | /P | Hex Screw, 5/16-18 x .75 |
| 7 | 712-04063 | 1 | /P | Flangelock Nut, 5/16-18 |
| 8 | 712-04064 | 1 | /P | Flangelock Nut, 1/4-20 |
| 9 | 912-0429 | 1 | /P | Hexlock Nut, 5/16-18 |
| 10 | 732-04035 | 1 | | Compression Spacer, 1.28 x 3.125 |
| 11 | 736-0173 | 1 | /P | Flat Washer, .28 x .74 x .063 |
| 12 | 738-04237A | 1 | | Shoulder Spacer, 10-32 x .500 |
| 13 | 783-04548C-0637 | 1 | /P | Seat Frame Bracket |
| 14 | 783-04637-0637 | 1 | /P | Running Board Bracket |
| 15 | 783-04753-0637 | 1 | | Support Frame Bracket |
| 16 | 783-04869A-0637 | 1 | /P | Battery Bracket |
| 17 | 710-04666 | 1 | | Hex Head Flange, 1/4-20 x .75 |
| 18 | 712-0271 | 1 | /P | Sems Nut, 1/4-20 |
| 19 | 925-1707D | 1 | /P | 230 CCA Battery |
| 20 | 783-04536B-0637 | 1 | /P | Support Bracket |
| 21 | 647-04096-0637 | 1 | /P | PTO Handle Assembly |
| 22 | 683-04155A-0637 | 1 | /P | Lift Assembly, 38/42" |
| 23 | 712-04065 | 1 | /P | Flangelock Nut, 3/8-16 |
| 24 | 714-04040 | 1 | | Bow-tie Cotter Pin |
| 25 | 716-0106A | 1 | | E Ring |
| 26 | 720-0311 | 1 | | Handle Grip, 1/2 |
| 27 | 732-04225 | 1 | | Torsion Spring |
| 28 | 738-04130 | 1 | | Shoulder Bolt, 3/8-16 x .625 x .175 |
| 29 | 941-0225 | 1 | /P | Hex Flange Bearing |
| 30 | 747-04282 | 1 | | Deck Lift Handle |
| 31 | 747-04393 | 1 | | Lift Rod |
| 32 | 783-04494C-0637 | 1 | /P | 38/42" Lift Arm, RH |
| 33 | 783-04711C-0637 | 1 | /P | 38/42" Lift Arm, LH |
| 34 | 725-04363 | 1 | | Switch Interlock |
| 35 | 683-04334-0637 | 1 | /P | Lift Assembly, 46" |
| 36 | 710-0604A | 1 | /P | Screw, 5/16-18 x .625 |
| 37 | 720-0298 | 1 | | Handle Grip, 5/8 |
| 38 | 732-04438 | 1 | | Torsion Spring Handle, 46" |
| 39 | 936-0140 | 1 | /P | Flat Washer, .385 x .62 x .063 |
| 40 | 938-0380 | 1 | /P | Shoulder Bolt, 3/8-16 x .500 x .270 |
| 41 | 747-04653 | 1 | | 46" Lift Handle |
| 42 | 783-05389-0637 | 1 | /P | Frame Brace Bracket |
| 43 | 783-0678C-0637 | 1 | /P | Lift Deck Link |
| 44 | 710-04607 | 1 | | Hex Screw, 7/16-20 x 2.75, 46" |
| 44 | 710-04608 | 1 | | Hex Screw, 7/16-20 x 3.25, 38/42" |
| 45 | 914-0145 | 1 | /P | Click Pin, .092 x 1.64 |
| 46 | 720-04049A | 1 | /P | Handle Grip, 3/8 |
| 47 | 732-04276A | 1 | /P | PTO Spring Extension |
| 48 | 936-0171 | 1 | /P | Regular Duty Washer Lock, 7/16 |
| 49 | 736-0322 | 1 | /P | Flat Washer, .450 x 1.250 x .164 |
| 50 | 741-04119A | 1 | /P | PTO Bearing |
| 51 | 946-04173B | 1 | S | Deck Engage Cable |
| 52 | 756-04207A | 1 | /P | Engine Pulley, 3.39 x 6.12, 46" |

13WX78KS066 Bronco (2010)
Frame & PTO Lift

Page 8 of 22

| Ref # | Part Number | Qty | S/P/F | Description |
|-------|----------------|-----|-------|------------------------------------|
| 52 | 756-04196A | 1 | /P | Engine Pulley, 3.39 x 6.12, 38/42" |
| 53 | 683-04448-0637 | 1 | /P | Battery Hold Down Rod |
| 54 | 936-0300 | 1 | /P | Flat Washer, .406 x .875 x .059 |
| 55 | 747-04857 | 1 | /P | 42" Belt Keeper |
| 55 | 683-04414-0637 | 1 | /P | 46" Belt Keeper |
| 56 | 710-0604A | 1 | /P | Screw, 5/16-18.0 x .625 |
| 57 | 725-04439 | 1 | | 12V Solenoid |

13WX78KS066 Bronco (2010)
Hood & Dash Assembly



13WX78KS066 Bronco (2010)
Hood & Dash Assembly

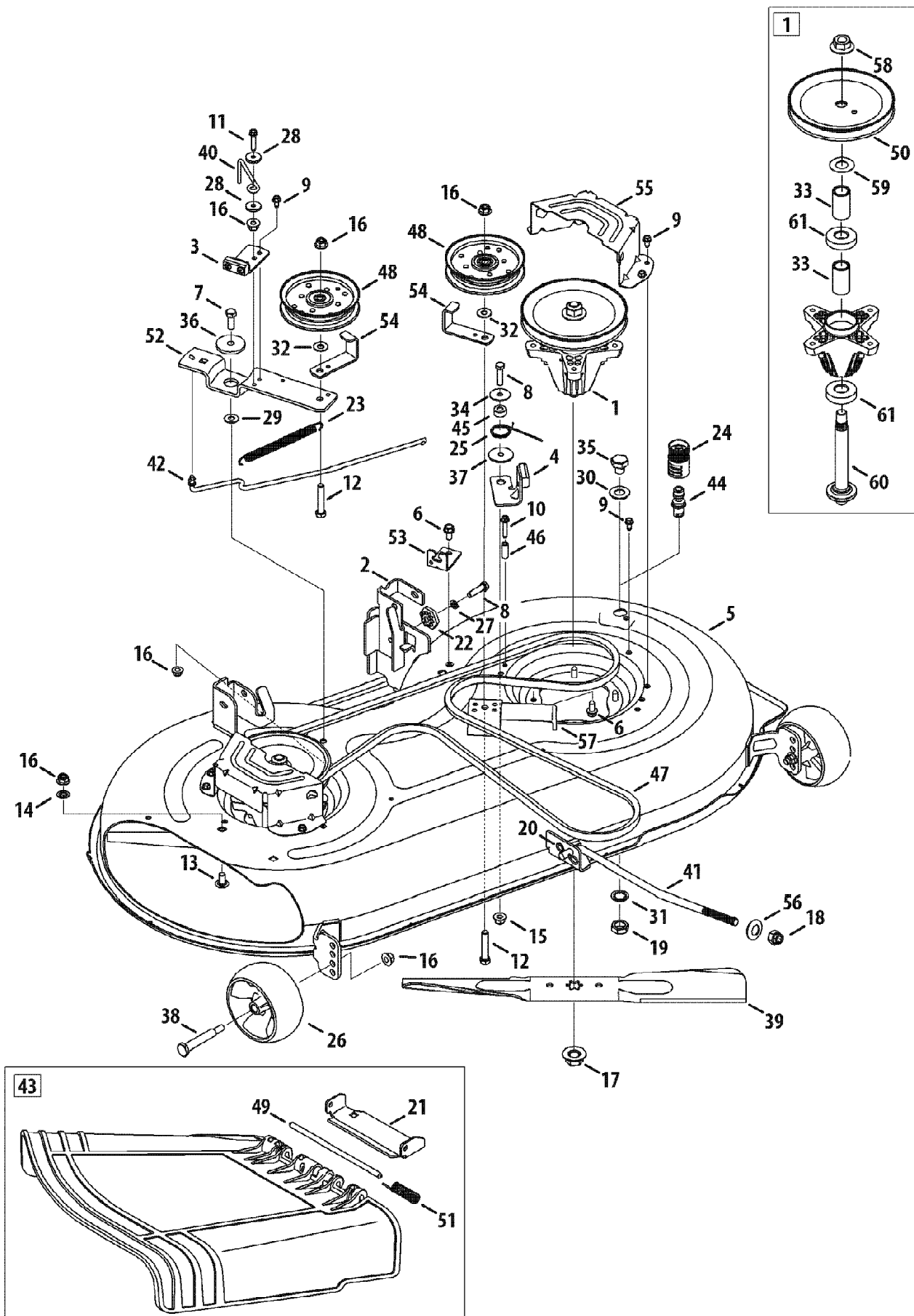
Page 10 of 22

| Ref # | Part Number | Qty | S/P/F | Description |
|-------|-----------------|-----|-------|---------------------------------------|
| 1 | 631-04272 | 1 | /P | Grill Assembly, Troy-Bilt |
| 2 | 731-05078C | 1 | /P | Dash Assembly K-Style |
| 2 | 731-06404 | 1 | | Bumper Not shown |
| 2 | 710-04261 | 1 | | Screw, #12-16 x .50 Not shown |
| 3 | 683-04441-0638 | 1 | | Hood Assembly |
| 4 | 710-04484 | 1 | | Screw, 5/16-18 x .750 |
| 5 | 710-0895 | 1 | | Screw, 1/4-15 x .750 |
| 6 | 725-0157 | 1 | /P | Cable Tie |
| 7 | 925-0963 | 1 | /P | Lamp |
| 8 | 731-06095 | 1 | | Left Lens |
| 9 | 731-06096 | 1 | | Right Lens |
| 10 | 738-04091A | 1 | /P | Shoulder Screw, 5/16-18 x .43 x .29 |
| 11 | 783-05327B-0637 | 1 | /P | Left Support Pivot Bracket |
| 12 | 783-05328A-0637 | 1 | /P | Right Support Pivot Bracket |
| 13 | 710-04483 | 1 | | Screw, 1/4-20 x .500 |
| 14 | 710-0599 | 1 | /P | Hex Washer Screw, 1/4-20 x .500 |
| 15 | 710-0604A | 1 | /P | Screw, 5/16-18 x .625 |
| 16 | 712-04063 | 1 | /P | Flangelock Nut, 5/16-18 |
| 17 | 731-04945 | 1 | | Steering Support |
| 18 | 783-04584A-0637 | 1 | /P | Gas Tank Support Bracket |
| 19 | 783-04584A-0637 | 1 | /P | Dash, No RMC |
| 20 | 731-05265 | 1 | | Choke Plug |
| 21 | 983-04216 | 1 | /P | 7-Speed Control Assembly |
| 22 | 710-3144 | 1 | /P | Hex Screw, 3/8-16 x 2.0 |
| 23 | 711-0736 | 1 | /P | Ferrule, 1/4-20 x 1.00 |
| 24 | 710-04065 | 1 | /P | Flangelock Nut, 3/8-16 |
| 25 | 714-04040 | 1 | | Bow Tie Cotter Pin, 72 |
| 26 | 936-0133 | 1 | /P | Flat Washer, .411 x 1.25 x .100 |
| 27 | 747-04430 | 1 | | Speed Selector |
| 28 | 750-04465 | 1 | | Flange Spacer, .390 x .671 x 1.095 |
| 29 | 746-04364 | 1 | | Throttle/Choke Cable |
| 30 | 783-04903 | 1 | | Speed Latch - No RMC |
| 31 | 683-04448-0637 | 1 | /P | Battery Assembly Rod |
| 32 | 726-0230 | 1 | /P | Cable Tie |
| 33 | 751-0555B | 1 | /P | 1.5 Gallon Fuel Tank |
| 34 | 751-0603A | 1 | /P | Fuel Cap |
| 35 | 751-10782 | 1 | S | 1.36 Gallon Fuel Tank If equipped |
| 36 | 925-1745A | 1 | /P | Key |
| 37 | 725-0157 | 1 | /P | Cable Tie |
| 38 | 936-3008 | 1 | /P | Flat Washer, .344 x .750 x .120 |
| 39 | 951-10589 | 1 | /P | 5 Gallon Carbon Canister If equipped |
| 40 | 951-10590 | 1 | /P | Vent Filter Canister If equipped |
| 41 | 951-10610 | 1 | /P | Canister Adapter Bracket If equipped |
| 42 | 751-10749-30 | 1 | | Fuel Hose, White If equipped |
| 43 | 751-10750-28 | 1 | | Fuel Hose, Yellow If equipped |
| 44 | 925-04659 | 1 | /P | 3 Position Key Switch |
| 45 | 951-10947 | 1 | /P | Fuel Cap, 2.25" If equipped |
| 46 | 751-10441 | 1 | | Rollover Valve If equipped |
| 47 | 735-04081 | 1 | | Rubber Grommet, 23 x 3.55 If equipped |

13WX78KS066 Bronco (2010)
Label Map Bronco

Page 12 of 22

| Ref # | Part Number | Qty | S/P/F | Description |
|-----------|-------------|-----|-------|---|
| 777I22453 | 777I22453 | 1 | | LABEL-RIDER |
| 777I22679 | 777I22679 | 1 | | LABEL-CHECK ENG OI |
| 777D12005 | 777D12005 | 1 | | LABEL-RIDER REAR FENDER TROY |
| 777S30018 | 777S30018 | 1 | /P | LABEL-DECK SAFETY |
| 777S30503 | 777S30503 | 1 | /P | LABEL-DANGER CHUTE |
| 777S33329 | N/A | 1 | | LABEL-RDRCHT:DNGCUT:42CMMN Not available separately |
| 777D11950 | 777D11950 | 1 | | LABEL-RIDER DECK TROY 42" |
| 777D13024 | 777D13024 | 1 | | LABEL-TROYBILT/GEAR |
| 777I22454 | 777I22454 | 1 | | LABEL-RIDER |
| 777I22469 | 777I22469 | 1 | | LABEL- RIDER |
| 777I22479 | 777I22479 | 1 | | LABEL-RIDER |
| 777D13058 | 777D13058 | 1 | | LABEL-RIDER LOWER LH BRONCO |
| 777D13057 | 777D13057 | 1 | | LABEL-RIDER LOWER RH BRONCO |
| 777D12014 | 777D12014 | 1 | | LABEL-RIDER HOOD K STYLE TROY |
| 777X43038 | 777X43038 | 1 | | LABEL-RIDER K STYLE LH |
| 777X43039 | 777X43039 | 1 | | LABEL-RIDER K STYLE RH |
| 777S33516 | 777S33516 | 1 | | LABEL-RDR:LT5 AUTO NO RMC |



13WX78KS066 Bronco (2010)
Mower Deck 42-Inch

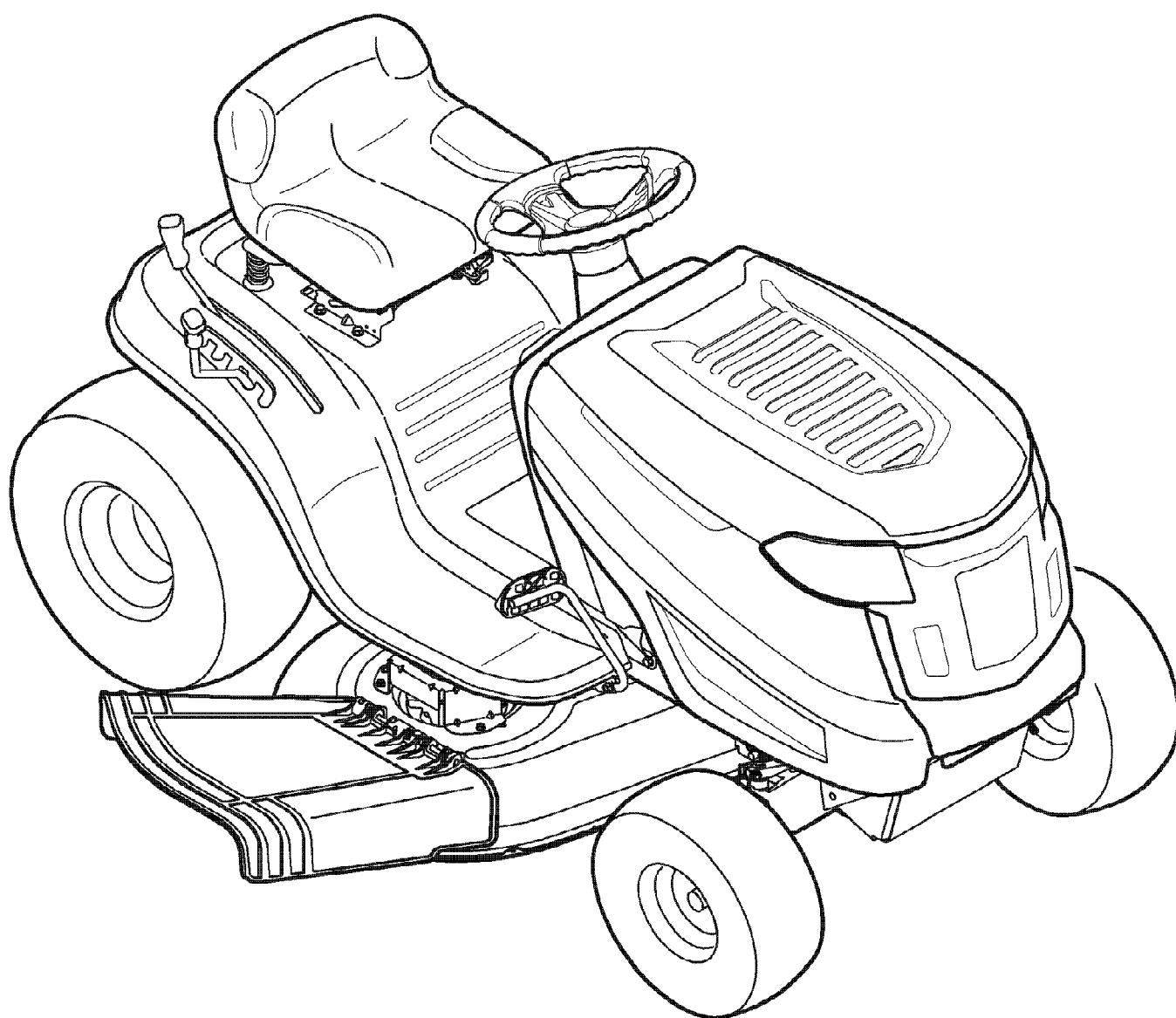
Page 14 of 22

| Ref # | Part Number | Qty | S/P/F | Description |
|-------|----------------|-----|-------|--|
| 1 | 918-04822A | 1 | /P | Spindle Assembly, Pulley, 6.3 Dia |
| 2 | 683-0254B-0637 | 1 | /P | Bracket Assembly, Deck, Hngr Lh |
| 3 | 983-04511 | 1 | /P | Brake Assembly, Deck, 42/46 |
| 4 | 983-04525 | 1 | /P | Brake Assembly, Deck, 46" |
| 5 | 983-04570-0637 | 1 | /P | Deck Assembly, Sd, Offset, 42 inch W/O Wheels |
| 5 | 983-04572-0637 | 1 | /P | Deck Assembly, Sd, Offset, 42 inch W/ Wheels |
| 6 | 710-04484 | 1 | | Screw, Tt, 5/16-18, .750, Hxindwsh |
| 7 | 710-0514 | 1 | /P | Hhcs, 3/8-16, 1.00, Gr5, Std |
| 8 | 710-0528 | 1 | /P | Hhcs, 5/16-18, 1.25, Gr5, Std |
| 9 | 710-0599 | 1 | /P | Screw, Tt, 1/4-20, 0.500, Hxindwsh |
| 10 | 710-0778 | 1 | /P | Screw, Tt, 1/4-20, 1.500, Hxindwsh |
| 11 | 710-0809 | 1 | | Screw, Tt, 1/4-20, 1.250, Hxindwsh |
| 12 | 710-3144 | 1 | /P | Hhcs, 3/8-16, 2.00, Gr5, Std |
| 13 | 710-3178 | 1 | /P | Bolt, Crg, 3/8-16, 0.75, Gr1 |
| 14 | 712-0229 | 1 | | Nut, Push, 3/8 |
| 15 | 712-04063 | 1 | /P | Nut, Flglk, 5/16-18, Grf, Nylon |
| 16 | 712-04065 | 1 | /P | Nut, Flglk, 3/8-16, Grf, Nylon |
| 17 | 712-0417A | 1 | /P | Nut, Flg, 5/8-18 |
| 18 | 712-04243 | 1 | | Nut, Flxlk, 1/2-13 |
| 19 | 912-0641 | 1 | /P | Nut, Hex, M16-1.5 Din 936 |
| 20 | 714-04043 | 1 | | Bow-Tie Cotter Pin |
| 21 | 783-06074A | 1 | | Chute Bracket |
| 22 | 917-04074 | 1 | /P | Gear, Deck, Adj |
| 23 | 932-0384 | 1 | /P | Spring, Extension, .62 Dia X 6.12 Lg |
| 24 | 921-04041 | 1 | /P | Water Nozzle Adapter |
| 25 | 732-04727 | 1 | | Spring, Torsn, .992 I.D X 1.17 O.D |
| 26 | 734-04155 | 1 | | Wheel, Deck, 5.0 Dia Ball |
| 27 | 936-0119 | 1 | /P | Washer, Lock, 5/16, Regular Duty |
| 28 | 936-0176 | 1 | /P | Washer, Flat, .265 X .938 X .120 |
| 29 | 936-0344 | 1 | /P | Washer, Flat, .385 X 1.0 X .030 |
| 30 | 736-0187 | 1 | /P | Washer, Flat, .64 X 1.24 X .06, Ht |
| 31 | 736-0225 | 1 | /P | Washer, Lock, 5/8, Int Tooth |
| 32 | 736-0262 | 1 | /P | Washer, Flat, .385 X .870 X .092 |
| 33 | 750-04936 | 1 | | Spacer, .792 X 1.060 X 1.860 Lg |
| 34 | 736-0362 | 1 | /P | Washer, Flat, .330 X 1.25 X .06, Ht |
| 35 | 738-04146 | 1 | | Plug, Bolt, M16 X 1.5 |
| 36 | 738-04162A | 1 | /P | Spacer, Shoulder, .8840 X .190 |
| 37 | 738-04166 | 1 | | Spacer, Shoulder, .5000 X .1475 |
| 38 | 938-3056 | 1 | /P | Bolt, Shoulder, .496 X 2.50, 3/8-16 |
| 39 | 942-04308 | 1 | /P | Blade, Cut, 21.23" 2-In-1 |
| 40 | 747-04530 | 1 | | Rod, Kepr, Belt 42 Idler |
| 41 | 747-04944B | 1 | /P | Rod, Lift, Deck, Frt, 13.7 |
| 42 | 747-05105 | 1 | | Rod, Cont, Brake 42" |
| 43 | 631-04460 | 1 | | Chute Assembly, 42" Deck |
| 44 | 737-04003D | 1 | /P | Deck Water Nozzle |
| 45 | 750-0258 | 1 | /P | Spacer, .315 X .750 X .375 Lg |
| 46 | 750-0566A | 1 | /P | Spacer, .260 X .375 X 1.030 Lg |
| 47 | 954-04060B | 1 | /P | Belt, V Typ, A Sec X 96.5 |
| 48 | 756-04129B | 1 | /P | Pulley, Idler, 4.25"Dia |
| 49 | 711-04847A | 1 | S | Pin, Hinge, Dia .3125 X 7.96 Lg |

13WX78KS066 Bronco (2010)
Mower Deck 42-Inch

Page 15 of 22

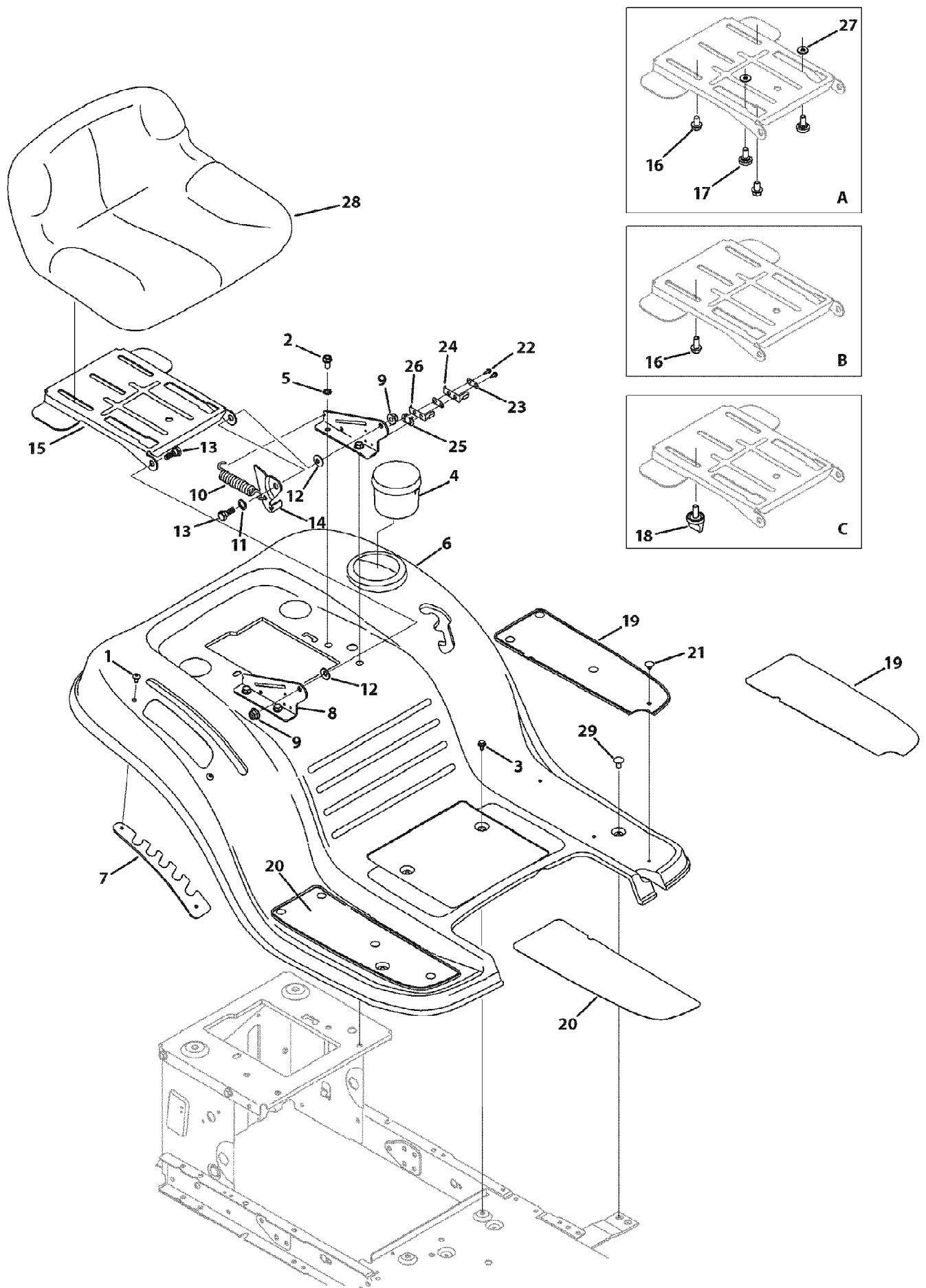
| Ref # | Part Number | Qty | S/P/F | Description |
|-------|-----------------|-----|-------|--------------------------------------|
| 50 | 956-1227 | 1 | /P | Pulley, Deck, 6.3 Dia |
| 51 | 732-04372 | 1 | | Spring, Torsion, .44 I.D. X 2.0 |
| 52 | 783-05946 | 1 | | Bracket, Idler, Piv, 46 |
| 53 | 783-06243-0637 | 1 | | Bracket, Cable, Deck Engage |
| 54 | 783-06368-0637 | 1 | S | Bracket, Guard, Belt, 4.25 Pulley |
| 55 | 783-06424A-0637 | 1 | | Cover, Belt, Deck, 42 |
| 56 | 748-04069 | 1 | | Deck Lift Pivot Cup |
| 57 | 783-06643-0637 | 1 | | Bracket, Supt, Deck Stationary Idler |
| 58 | 712-0417A | 1 | /P | Nut, Flg, 5/8-18 |
| 59 | 936-0351 | 1 | /P | Washer, Flat, .760 Idx1.50 Od |
| 60 | 738-1186A | 1 | | Shaft, Spindle, 6.11 Lg. |
| 61 | 941-0919 | 1 | /P | Bearing, Ball, .787id X 1.85 Odx.551 |



13WX78KS066 Bronco (2010)
Quick Reference Bronco

Page 17 of 22

| Ref # | Part Number | Qty | S/P/F | Description |
|-------|-----------------|-----|-------|--|
| | 759-3336 | 1 | /P | Spark Plug |
| | KH-12-050-01-S | 1 | /P | Oil Filter |
| | KH-20-883-02-S1 | 1 | /P | Pre Filter |
| | KH-20-883-02-S1 | 1 | /P | Air Filter |
| | KH-25-050-21-S | 1 | /P | Fuel Filter |
| | 751-0603A | 1 | /P | Fuel Cap Replaces 751-3111 |
| | 951-10947 | 1 | /P | Fuel Cap - California |
| | KH-12-757-33 | 1 | /P | Solenoid |
| | 918-04822A | 1 | /P | Deck Spindles |
| | 942-04308 | 1 | /P | Blades |
| | 712-0417A | 1 | /P | Blade Nuts |
| | 734-04155 | 1 | | Deck Wheels |
| | 923-0448A | 1 | /P | Ball Joints |
| | 925-1745A | 1 | /P | Ignition Keys |
| | N/A | 1 | | Control Cable |
| | 946-04173B | 1 | S | Deck Engagement Cable |
| | 746-04364 | 1 | | Throttle Cable |
| | 954-04208 | 1 | /P | Upper Drive Belt |
| | 954-0467 | 1 | S | Lower Drive Belt |
| | 954-04060B | 1 | /P | PTO/Deck Spindle Belt |
| | 725-04363 | 1 | | Safety Switch - Brake |
| | 725-04363 | 1 | | Safety Switch - Deck |
| | 631-04460 | 1 | | Discharge Chute |
| | 925-1707D | 1 | /P | Battery |
| | 19A30003OEM | 1 | | Double Bagger 42 inch Attachment |
| | 19A30006100 | 1 | | Mulch Kit 42 inch Attachment |
| | OEM-190-607 | 1 | | Tractor Sunshade Attachment |
| | OEM-190-679 | 1 | /P | Bumper Attachment |
| | OEM-190-032 | 1 | /P | Snow Thrower, Two Stage Attachment |
| | OEM-19A-218 | 1 | | Rear Weight Kit Rear weight bar w/weight, attachment |
| | OEM-190-658 | 1 | S | Tire Chains, 20x8 Attachment |
| | OEM-190-833 | 1 | /P | Front Dozer Blade Attachment |



13WX78KS066 Bronco (2010)
Seat & Fender

Page 19 of 22

| Ref # | Part Number | Qty | S/P/F | Description |
|-------|-----------------|-----|-------|--|
| 1 | 710-04483 | 1 | | Screw, 1/4-20 x .500 |
| 2 | 710-04484 | 1 | | Screw, 5/16-18 x .750 |
| 3 | 710-0599 | 1 | /P | Screw Pan Torx Head, 1/4-20 x .500 |
| 4 | 731-04591A | 1 | /P | Cup Holder |
| 5 | 736-0607 | 1 | /P | Loack Washer, 5/16 |
| 6 | 783-04587C-0638 | 1 | | Fender - Red |
| 7 | 783-04843-0637 | 1 | | Lift Adjuster Bracket - Powder Black |
| 8 | 783-1489C-0637 | 1 | /P | Seat Mount Bracket - Powder Black |
| 9 | 712-04063 | 1 | /P | Flangelock Nut, 5/16-18 |
| 10 | 732-1184 | 1 | /P | Extension Spring |
| 11 | 936-0108 | 1 | /P | Flat Washer, .510x .750 x .033 |
| 12 | 736-0242 | 1 | /P | Bell Washer, .340 x .872 x .060 |
| 13 | 938-0296 | 1 | /P | Shoulder Screw, 5/16-18 x .437 x .268 |
| 14 | 783-0209D | 1 | /P | Lift Seat Bracket |
| 15 | 783-04081C-0637 | 1 | /P | Pivot Seat Manual Adjust Bracket |
| 16 | 710-04482 | 1 | | Hex Head Flange, 3/8-16 x .875 |
| 17 | 738-04012A | 1 | /P | Shoulder Screw, 3/8-16 x .625 x .145 |
| 18 | 720-04061 | 1 | | Knob, 3/8-16 x .875 |
| 19 | 735-04047 | 1 | | Foot Pad, LH |
| 19 | 723-04026 | 1 | | Foot Pad, Abrasive, LH |
| 20 | 735-04048 | 1 | | Foot Pad, RH |
| 20 | 723-04025 | 1 | | Foot Pad, Abrasive, RH |
| 21 | 726-04072A | 1 | /P | Ratchet Clip, .250 x .500 |
| 22 | 710-0227 | 1 | /P | Screw, 8-18 x .500 |
| 23 | 726-0279 | 1 | | Insulator Plate |
| 24 | 925-1303 | 1 | /P | Outer Seat SPring |
| 25 | 726-0278 | 1 | | Insulator Boss Plate |
| 26 | 725-1439 | 1 | | Inner Seat Spring |
| 27 | 936-0140 | 1 | /P | Flat Washer, .385 x .62 x .063 |
| 28 | 757-04083 | 1 | | Medium Back Seat, Black, Set-up B Bronco |
| 28 | 757-04088 | 1 | | High Back Seat, Black, Set-up B Thourghbred |
| 29 | 710-0134 | 1 | /P | Screw Carriage, 1/4-20 x .62 |

13WX78KS066 Bronco (2010)
Steering

Page 21 of 22

| Ref # | Part Number | Qty | S/P/F | Description |
|-------|-----------------|-----|-------|--|
| 1 | 617-04024 | 1 | S | Front Steering Gear Assembly |
| 2 | 710-0376 | 1 | /P | Hex Screw, 5/16-18 x 1.00 |
| 3 | 710-0643 | 1 | /P | Hex Screw, 5/16-18 x 1.00, Lock |
| 4 | 710-1309 | 1 | /P | Machine Screw, 5/16-18 x .750 |
| 5 | 710-3180 | 1 | /P | Hex Screw, 5/16-18 x 1.75 |
| 6 | 912-0240 | 1 | /P | Jam Nut, 7/16-20 |
| 7 | 912-0214 | 1 | /P | Jamlock Nut, 3/8-24 |
| 8 | 712-04063 | 1 | /P | Flangelock Nut, 5/16-18 |
| 9 | 638-04008P | 1 | /P | Front RH Axle w/46" deck |
| 9 | 938-04013 | 1 | /P | Front RH Axle |
| 10 | 923-0448A | 1 | /P | Ball Joint, 7/16-20 |
| 11 | 736-0242 | 1 | /P | Bell Washer, .340 x .872 x .060 |
| 12 | 938-04007A-0637 | 1 | /P | Front LH Axle w/46" deck |
| 12 | 938-04014A-0637 | 1 | /P | Front LH Axle |
| 13 | 738-04141 | 1 | | Shoulder Bolt, 5/16-18 x .435 x .350 |
| 14 | 738-0919A | 1 | /P | Steering Shaft, 5/8 x 22.08 |
| 15 | 941-04124 | 1 | /P | Flange Bearing, 5/8 |
| 16 | 941-0475 | 1 | /P | Plastic Bushing, .380 ID |
| 17 | 747-04298 | 1 | | Steering Link |
| 18 | 948-0389 | 1 | /P | Cap, 1.25 x .16 |
| 19 | 748-04065-0637 | 1 | /P | Steering Block |
| 20 | 748-04068 | 1 | | Spacer, .71 x .125 x .56 |
| 21 | 750-04418 | 1 | | Spacer, .322 x .625 .21 |
| 22 | 783-04644 | 1 | S | Gear Segment Stabilizer Plater |
| 23 | 736-04228A | 1 | | Flat Washer, .781 x 1.590 |
| 24 | 634-04086-0911 | 1 | /P | Wheel Assembly 15 X 6 X 6 Sq Shoulder Tire |
| 24 | 634-04325-0911 | 1 | | Wheel Assembly 15 X 6 X 6 Rd Shoulder Tire |
| 25 | 714-04039 | 1 | | Cotter Pin, 5/32 x 1.25 |
| 26 | 710-04484 | 1 | | Screw, 5/16-18 x .750 |
| 27 | 712-04065 | 1 | /P | Flangelock Nut, 3/8-16 |
| 28 | 914-0474 | 1 | /P | Cotter Pin, .125 x .75 |
| 29 | 719-04177A | 1 | | Pivot Axle |
| 29 | 683-0128B-0637 | 1 | /P | Pivot Axle |
| 30 | 726-04035 | 1 | | Push Nut, 3/4 |
| 31 | 731-04693 | 1 | | Hub Cap |
| 32 | 936-0316 | 1 | /P | Flat Washer, .78 x 1.59 x .060 |
| 33 | 748-04068 | 1 | | Spacer, .71 x .125 x .56 |
| 34 | 738-04128 | 1 | | Shoulder Bolt, 3/8-16 x .500 x 2.38 |
| 35 | 747-04299A | 1 | /P | Fixed Rod |
| 36 | 783-05326-0637 | 1 | /P | Pivot Bar Bracket |
| 36 | 783-04601C-0637 | 1 | | Pivot Bar Bracket |
| 37 | 726-0341 | 1 | /P | Push Cap, 3/4 |
| 38 | 731-04057A | 1 | | Standard Axle Cap |
| 39 | 741-0660A | 1 | /P | Flange Bearing, .760 x .941 x 1.0 |
| 40 | 631-04028 | 1 | | Steering Wheel |
| 41 | 931-0484A | 1 | /P | Hub Cap |
| 42 | 731-04681 | 1 | | Cap, Troy-Bilt |
| 43 | 783-04568-0637 | 1 | | Front Deck Hanger Bracket |
| 44 | 934-04081-0662 | 1 | /P | Deck Rim Asm, 6.0x4.5 42/38" Deck only |
| 44 | 741-0516B | 1 | /P | Flange Bearing Not shown |

13WX78KS066 Bronco (2010)
Steering

Page 22 of 22

| Ref # | Part Number | Qty | S/P/F | Description |
|-------|-----------------|-----|-------|--|
| 44 | 741-0990B | 1 | /P | Flange Bearing w/ Grease Fitting Not shown |
| 45 | 934-0255 | 1 | /P | Valve, tubeless Air |
| 46 | 734-1731-0901 | 1 | /P | Tire, 15 X 6 X 6 Sq Shoulder |
| 46 | 734-04240A-0901 | 1 | | Tire, 15 X 6 X 6 Rd Shoulder |