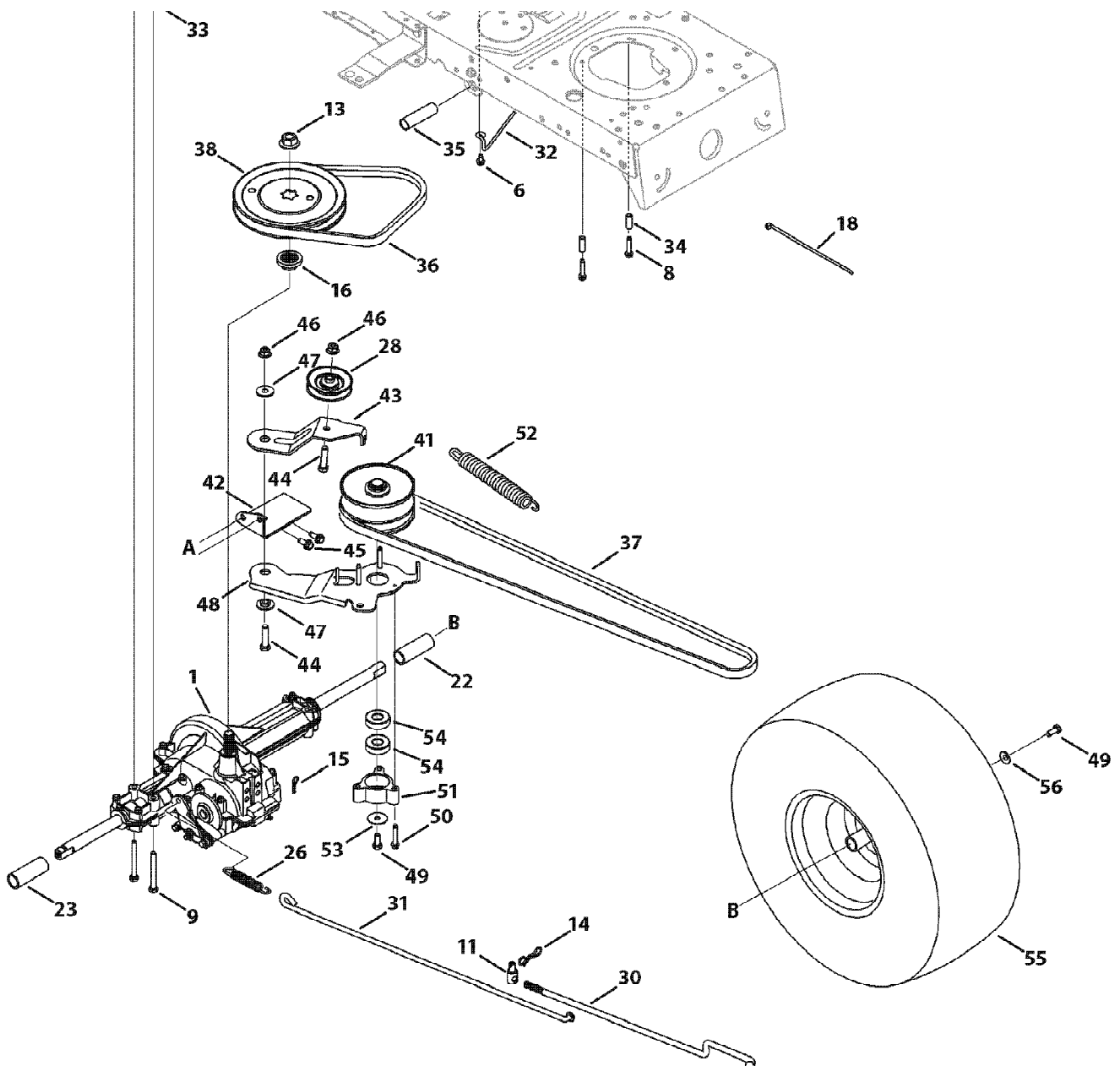
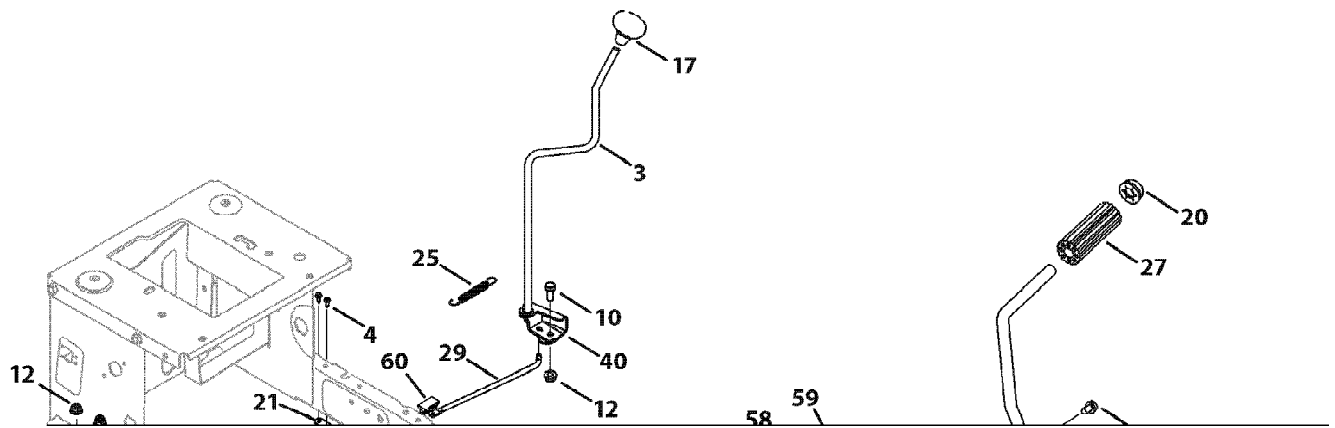


13WV77KF066 Tuffy (2010)  
Drive & Transmission



13WV77KF066 Tuffy (2010)  
Drive & Transmission

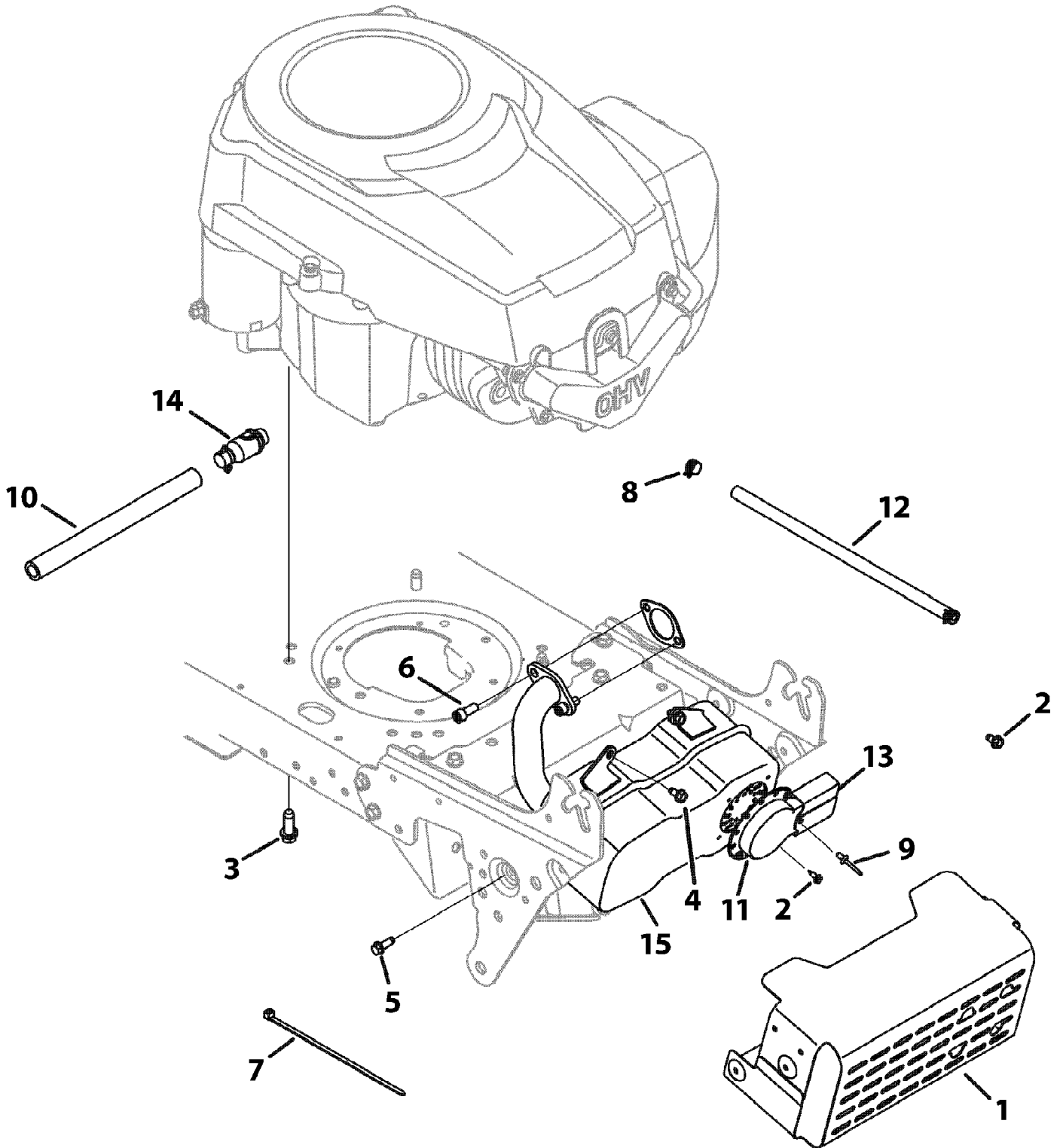
Page 2 of 20

Ref #	Part Number	Qty	S/P/F	Description
1	918-04566	1	/P	Transmission Drive Assembly
2	647-04034C-0638	1		Pedal Assembly - Red
3	647-04035	1		Shaft Lever Assembly
4	710-0227	1	/P	Screw, 8-18:0.500
5	710-04484	1		Screw, 5/16-18 x .750
6	710-0599	1	/P	Screw, 1/4-20 x 0.500
7	710-0604A	1	/P	Screw, 5/16-18 x 0.625
8	710-0809	1		Screw, 1/4-20 x 1.250
9	710-1266	1	/P	Hex Screw, 5/16-18 x .625
9	710-0176	1	/P	Hex Screw, 5/16-18 x 2.75
10	710-3008	1	/P	Hex Screw, 5/16-18 x .75
11	911-04075A	1	/P	Ferrule, 3/8-24 X .375 DIA.
12	712-04063	1	/P	Flangelock Nut, 5/16-18
13	712-0700	1	/P	Flange Nut, 9/16-18
14	914-0209	1	/P	Cotter Pin INT- .125 DIA
15	714-04040	1		Bow-Tie Cotter Pin, 72
16	718-04407	1		Pulley Hub, 5/8 SPLINE
17	720-04028	1		Shift Knob
18	725-0157	1	/P	Cable Tie
19	725-1644	1		Short Spring Switch
20	726-0214	1	/P	Push Cap, 5/8
21	926-0320	1	/P	Plate Insulator Nut
22	731-04602	1		Sleeve, .758 x .821 x 3.3125
23	731-04604	1		Sleeve, .758 x .821 x 2.4375
24	732-04306	1		Spring Extension, .80 OD x 3.28 LG
25	732-04488	1		Spring Extension, .38 OD x 3.25 LG
26	732-0716D	1	/P	Spring Extension, .59 OD x 4.00 LG
27	735-0239	1	/P	Foot Pad, 4.0 LONG
28	756-04325	1	/P	Idler Pulley
29	747-05244	1		Shift Rod, 38/42"
30	747-05186	1		Variable Speed Control Rod
31	747-04733A	1		Brake Rod
32	747-04969	1		Belt Keeper Rod
33	948-0334	1	/P	Spacer, T-Axle, 46" Only
34	750-0566A	1	/P	Spacer, .260 x .375 x 1.030 LG
35	750-0802	1		Spacer, .640 ID x .76 OD x 2.63
36	954-0241A	1	/P	V Belt, 5L 35.25 POLY
37	954-04249	1	/P	V Belt, 5L 70.90 POLY
38	956-04002	1	/P	V Pulley 7.25 DIA SPUN
39	783-04536B-0637	1	/P	Pedal Support Bracket
40	783-04595A	1		Shaft Adjust Bracket
41	956-04015A	1	/P	Variable Speed Pulley Assembly
42	683-04176A	1	/P	Transmission Bracket Assembly
43	683-04207	1		Idler Bracket Assembly
44	710-0347	1	/P	Hex Screw, 3/8-16 x 1.75
45	710-1260A	1	/P	Screw, 5/16-18 x 0.750
46	712-04065	1	/P	Flangelock Nut, 3/8-16
47	938-0347	1	/P	Shoulder Spacer, .625 ID x .169
48	683-04206	1		Bracket Assembly
49	710-0627	1	/P	Hex Screw, 5/16-24 x .750
50	710-0778	1	/P	Screw, 1/4-20 x 1.500
51	718-04261	1		Bearing Cup
52	732-0459C	1	/P	Extension Spring, .94 OD x 6.74 LG

13WV77KF066 Tuffy (2010)  
Drive & Transmission

Page 3 of 20

Ref #	Part Number	Qty	S/P/F	Description
53	736-0362	1	/P	Flat Washer, .330 x 1.25 x .06:HT
54	941-0600	1	/P	Ball Bearing, 17 x 40 x 12
55	634-0104-0911	1	/P	Wheel, 20 x 8 x 8, 38/42" Grey
55	734-1730-0901	1	/P	Tire Only 20 x 8 x 8 Not shown
55	634-04369-0662	1		Rim Only Not shown
55	934-0255	1	/P	Valve Stem Not shown
56	736-0242	1	/P	Bell Washer, .340 x .872 x .060
57	725-04363	1		Switch Interlock
58	17962	1		Plate Switch
59	738-04237A	1		Shoulder Screw, #10-32 x .500
60	731-06894	1		Shift Plate Bearing

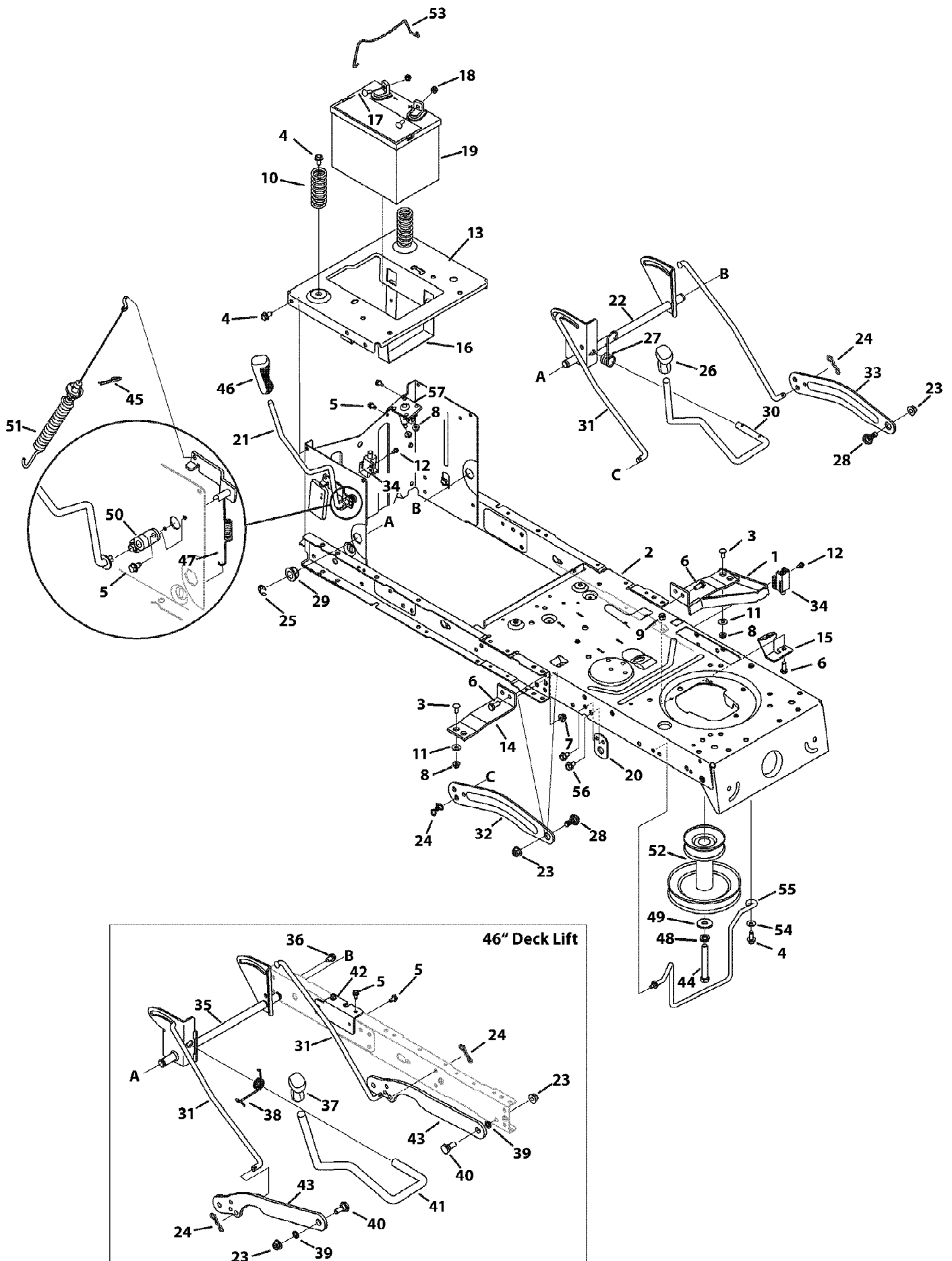


13WV77KF066 Tuffy (2010)  
Engine Accessories Kohler

Page 5 of 20

Ref #	Part Number	Qty	S/P/F	Description
1	683-04549-0637	1	/P	Muffler Shield Assembly with Weld
2	710-0227	1	/P	Screw, 8-18 x .500
3	710-04683	1		Screw, 3/8-16 x 1.0
4	710-0599	1	/P	Screw, 1/4-20 x .500
5	710-0642	1	/P	Screw, 1/4-20 x .750
6	710-1314A	1	/P	Socket Screw, 5/16-18 x .750
7	725-0157	1	/P	Cable Tie
8	726-0205	1	/P	Clamp Hose, .490 diameter
9	728-04000	1		Rivet, .188 x .300
10	751-3141-14	1	/P	Oil Drain, Extension Hose
11	751-0564B	1	/P	Muffler Deflector
12	751-10349-28	1	/P	Fuel Hose, Low Permeation
13	751-10353	1		Muffler Deflector Long
14	951-10517A	1	/P	Oil Drain
15	751-11022	1		Muffler

13WV77KF066 Tuffy (2010)  
Frame and PTO Lift



13WV77KF066 Tuffy (2010)  
Frame and PTO Lift

Page 7 of 20

Ref #	Part Number	Qty	S/P/F	Description
1	683-04195-0637	1		Support Bracket
2	683-04601-0638	1		Frame Assembly - Red
3	710-0134	1	/P	Screw Carriage, 1/4-20 x .62
4	710-04484	1		Screw 5/16-18 x .750
5	710-0599	1	/P	Screw, 1/4-20 x .500
6	710-3008	1	/P	Hex Screw, 5/16-18 x .75
7	712-04063	1	/P	Flangelock Nut, 5/16-18
8	712-04064	1	/P	Flangelock Nut, 1/4-20
9	912-0429	1	/P	Hexlock Nut, 5/16-18
10	732-04035	1		Compression Spacer, 1.28 x 3.125
11	736-0173	1	/P	Flat Washer, .28 x .74 x .063
12	738-04237A	1		Shoulder Spacer, 10-32 x .500
13	783-04548C-0637	1	/P	Seat Frame Bracket
14	783-04637-0637	1	/P	Running Board Bracket
15	783-04753-0637	1		Support Frame Bracket
16	783-04869A-0637	1	/P	Battery Bracket
17	710-04666	1		Hex Head Flange, 1/4-20 x .75
18	712-0271	1	/P	Sems Nut, 1/4-20
19	925-1707D	1	/P	230 CCA Battery
20	783-04536B-0637	1	/P	Support Bracket
21	647-04096-0637	1	/P	PTO Handle Assembly
22	683-04155A-0637	1	/P	Lift Assembly, 38/42"
23	712-04065	1	/P	Flangelock Nut, 3/8-16
24	714-04040	1		Bow-tie Cotter Pin
25	716-0106A	1		E Ring
26	720-0311	1		Handle Grip, 1/2
27	732-04225	1		Torsion Spring
28	738-04130	1		Shoulder Bolt, 3/8-16 x .625 x .175
29	941-0225	1	/P	Hex Flange Bearing
30	747-04282	1		Deck Lift Handle
31	747-04393	1		Lift Rod
32	783-04494C-0637	1	/P	38/42" Lift Arm, RH
33	783-04711C-0637	1	/P	38/42" Lift Arm, LH
34	725-04363	1		Switch Interlock
35	683-04334-0637	1	/P	Lift Assembly, 46"
36	710-0604A	1	/P	Screw, 5/16-18 x .625
37	720-0298	1		Handle Grip, 5/8
38	732-04438	1		Torsion Spring Handle, 46"
39	936-0140	1	/P	Flat Washer, .385 x .62 x .063
40	938-0380	1	/P	Shoulder Bolt, 3/8-16 x .500 x .270
41	747-04653	1		46" Lift Handle
42	783-05389A-0637	1	/P	Frame Brace Bracket
43	783-0678C-0637	1	/P	Lift Deck Link
44	710-04608	1		Hex Screw, 7/16-20 x 3.25, 38/42"
45	914-0145	1	/P	Click Pin, .092 x 1.64
46	720-04049A	1	/P	Handle Grip, 3/8
47	732-04276A	1	/P	PTO Spring Extension
48	936-0171	1	/P	Regular Duty Washer Lock, 7/16
49	736-0322	1	/P	Flat Washer, .450 x 1.250 x .164
50	741-04119A	1	/P	PTO Bearing
51	946-04173B	1	S	Deck Engage Cable
52	756-04196A	1	/P	Engine Pulley, 3.39 x 6.12, 38/42"
53	683-04448-0637	1	/P	Battery Hold Down Rod

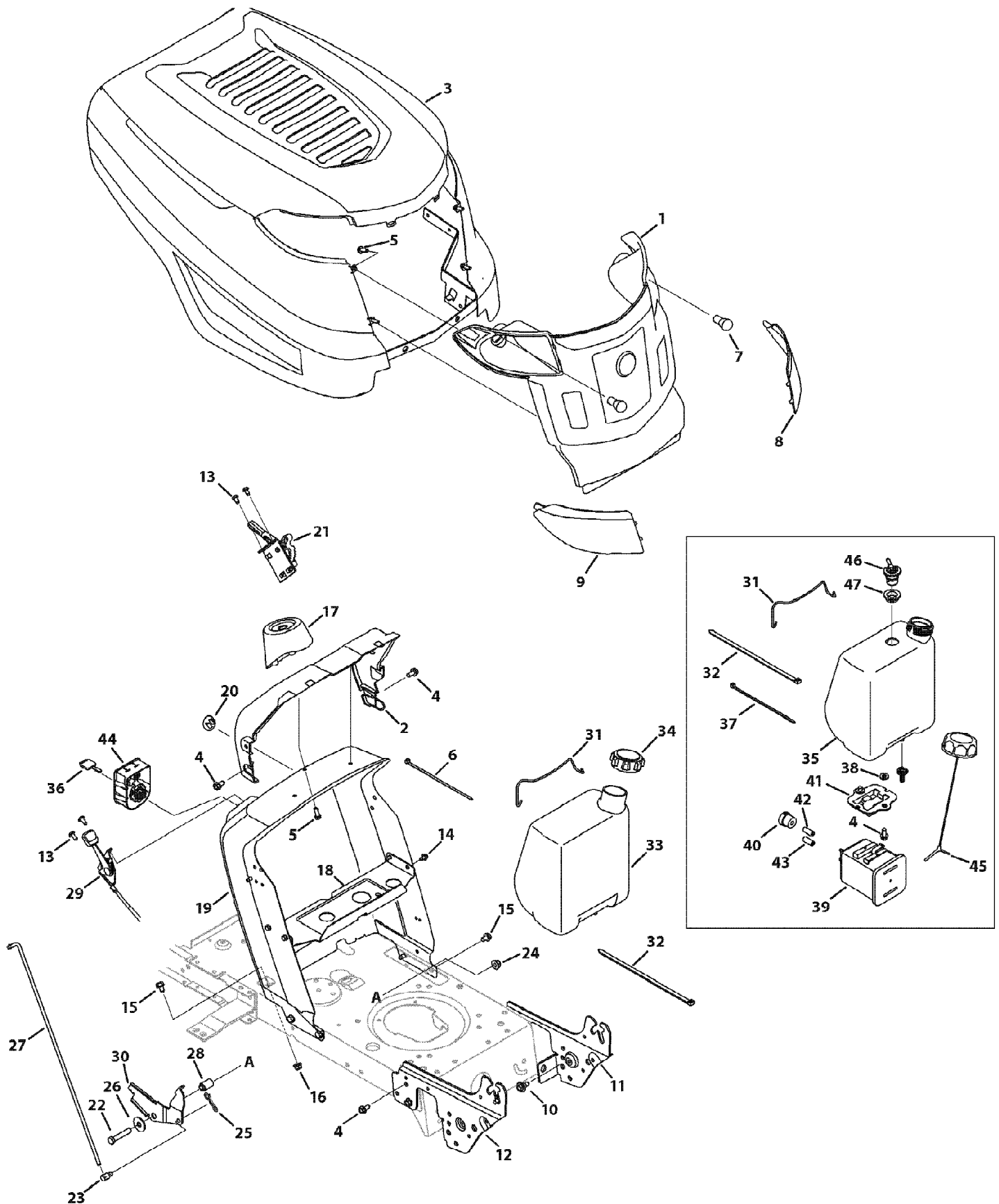
13WV77KF066 Tuffy (2010)  
Frame and PTO Lift

Page 8 of 20

Ref #	Part Number	Qty	S/P/F	Description
54	936-0300	1	/P	Flat Washer, .406 x .875 x .059
55	747-04332A	1	/P	38" Belt Keeper
55	747-04857	1	/P	42" Belt Keeper
56	710-0604A	1	/P	Screw, 5/16-18.0 x .625
57	725-04439	1		12V Solenoid



13WV77KF066 Tuffy (2010)  
Hood & Dash Assembly



13WV77KF066 Tuffy (2010)  
Hood & Dash Assembly

Page 10 of 20

Ref #	Part Number	Qty	S/P/F	Description
1	631-04272	1	/P	Grill Assembly, Troy-Bilt
1	931-06796	1	/P	Grill Assembly, K-Style
2	731-05078C	1	/P	Dash Collar
2	731-06404	1		K-Style Bumper
2	710-04261	1		Screw, #12-16 x .50
3	683-04441-0638	1		Hood Assembly
4	710-04484	1		Screw, 5/16-18 x .750
5	710-0895	1		Screw, 1/4-15 x .750
6	725-0157	1	/P	Cable Tie
7	925-0963	1	/P	Lamp
8	731-06095	1		Left Lens
9	731-06096	1		Right Lens
10	738-04091A	1	/P	Shoulder Screw, 5/16-18 x .43 x .29
11	783-05327B-0637	1	/P	Left Support Pivot Bracket
12	783-05328A-0637	1	/P	Right Support Pivot Bracket
13	710-04483	1		Screw, 1/4-20 x .500
14	710-0599	1	/P	Hex Washer Screw, 1/4-20 x .500
15	710-0604A	1	/P	Screw, 5/16-18 x .625
16	712-04063	1	/P	Flangelock Nut, 5/16-18
17	731-04945	1		Steering Support
18	783-04584A-0637	1	/P	Gas Tank Support Bracket
19	783-04873B-0638	1	/P	Dash, No RMC - Red
20	731-05265	1		Choke Plug
21	983-04216	1	/P	7-Speed Control Assembly
22	710-3144	1	/P	Hex Screw, 3/8-16 x 2.0
23	711-0736	1	/P	Ferrule, 1/4-20 x 1.00
24	710-04065	1	/P	Flangelock Nut, 3/8-16
25	714-04040	1		Bow Tie Cotter Pin, 72
26	936-0133	1	/P	Flat Washer, .411 x 1.25 x .100
27	747-04430	1		Speed Selector
28	750-04465	1		Flange Spacer, .390 x .671 x 1.095
29	746-04364	1		Throttle/Choke Cable
30	783-04903	1		Speed Latch - No RMC
31	683-04448-0637	1	/P	Battery Assembly Rod
32	726-0230	1	/P	Cable Tie
33	751-0555B	1	/P	1.5 Gallon Fuel Tank
34	751-0603A	1	/P	Fuel Cap
35	751-10782	1	S	1.36 Gallon Fuel Tank
36	925-1745A	1	/P	Key
37	725-0157	1	/P	Cable Tie
38	936-3008	1	/P	Flat Washer, .344 x .750 x .120
39	951-10589	1	/P	5 Gallon Carbon Canister
40	951-10590	1	/P	Vent Filter Canister
41	951-10610	1	/P	Canister Adapter Bracket
42	751-10749-30	1		Fuel Hose, White
43	751-10750-28	1		Fuel Hose, Yellow
44	925-04659	1	/P	3 Position Key Switch
45	951-10947	1	/P	Fuel Cap, 2.25"
46	751-10441	1		Rollover Valve
47	735-04081	1		Rubber Grommet, 23 x 3.55

13WV77KF066 Tuffy (2010)  
Label Map Tuffy

777I22679  
Top Of Engine



777X44357  
Place Under Hood

Model 13WV77KF066 Tuffy			
SPECIFICATIONS			
Series	13WV77KF	Sub-Series	13WV77KF
Department	13WV77KF	Spec Division	13WV77KF
Product Line	13WV77KF	Product Group	13WV77KF
Alt Part No	13WV77KF	Back Order No	13WV77KF
Part Name	13WV77KF	Part No	13WV77KF
Part Desc	13WV77KF	Part Desc	13WV77KF
Part No	13WV77KF	Part No	13WV77KF

Drivers RIGHT  
(777X43039)

Drivers LEFT  
(777X43038)

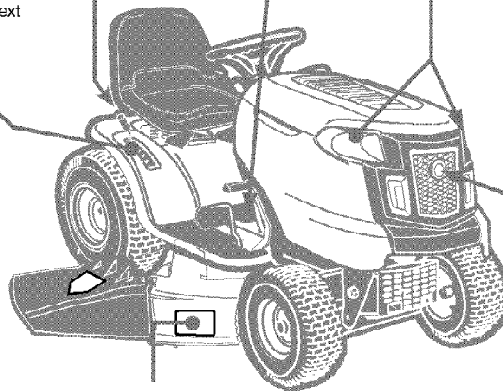


If BJ label Has  
Important Emmissions  
Information

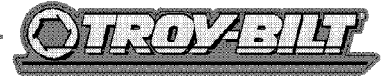
777S33017



777I22453  
Place On Fender With The  
PTO Side Next To The PTO  
And The Deck Height Next  
To The Deck Height

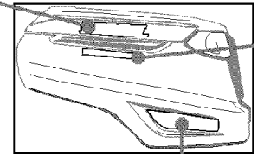


777D12014 x 2  
Align To Top Side Of Hood On Both  
Sides - Center Over Intake



777D12110 x 2  
Center Under The Intake

7 SPEED TRANSMISSION



777D14423  
Align to LOWER Side Panel



777D14425  
Align to LOWER Side Panel



Ref. - 777D13024



777D12005  
Center REAR fender



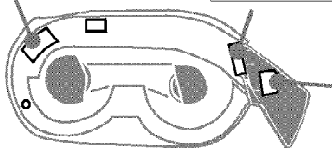
777D14426



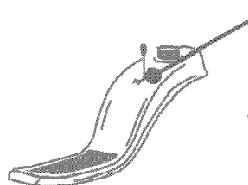
777S30018



777S30503



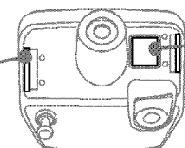
Chute Label



777I22454



777I22455



777I22479

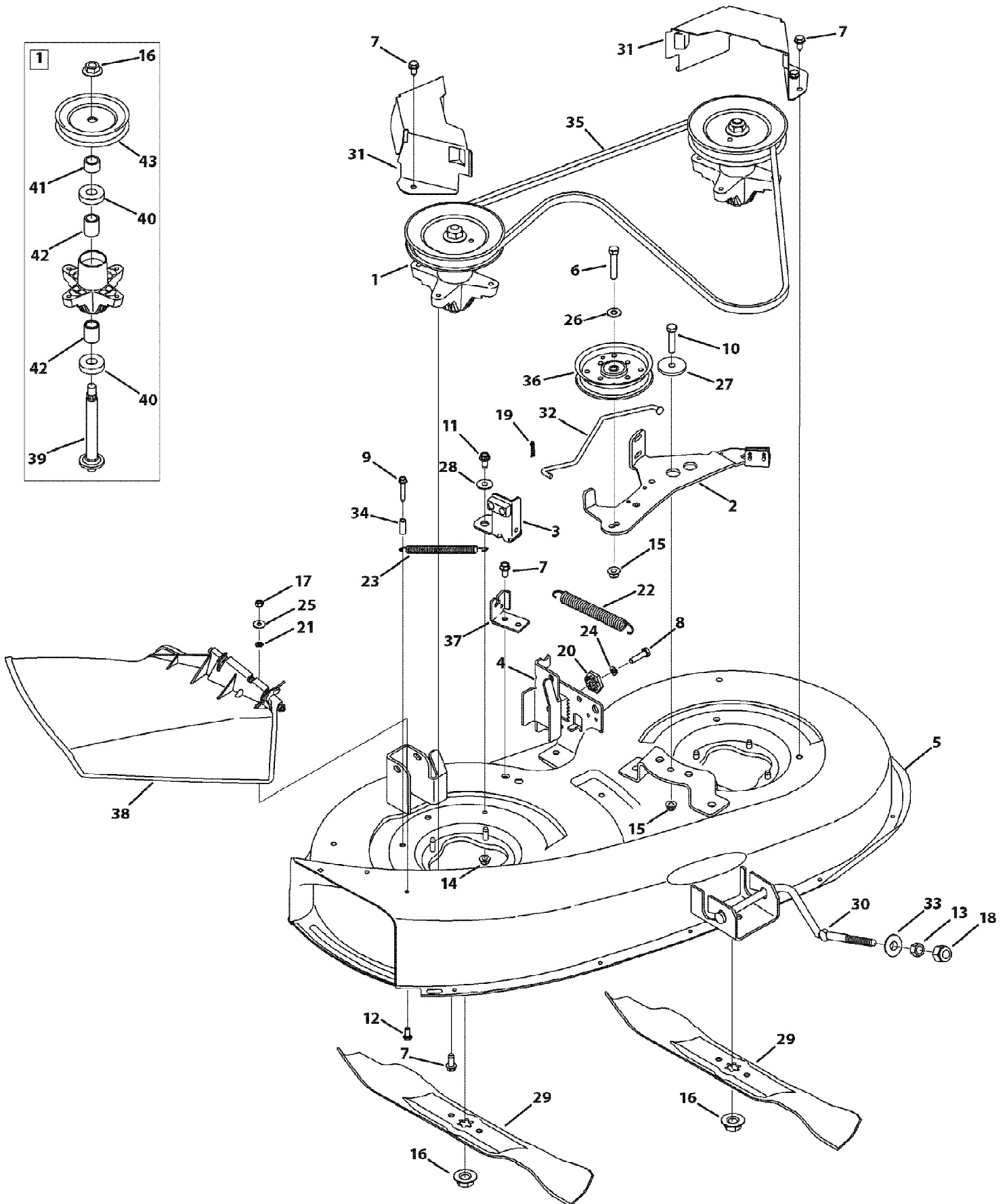


13WV77KF066 Tuffy (2010)  
Label Map Tuffy

Page 12 of 20

Ref #	Part Number	Qty	S/P/F	Description
777I22679	777I22679	1		LABEL-CHECK ENG OI
777X44357	777X44357	1		LABEL-RDR:PARTS:13AV77KF/13
777I22453	777I22453	1		LABEL-RIDER LT-5 F
777D12005	777D12005	1		LABEL-RIDER REAR FENDER TROY
777S30018	777S30018	1	/P	LABEL-DECK SAFETY
777S30503	777S30503	1	/P	LABEL-DANGER CHUTE
777D14426	777D14426	1		LABEL-RDR/DK/RED:TBILT:38
777I22454	777I22454	1		LABEL-RIDER LT-5 F
777I22455	777I22455	1		LABEL-RIDER LT-5 D
777I22479	777I22479	1		LABEL-RIDER LT-5
777D13024	777D13024	1		LABEL-TROYBILT/GEAR
777D14425	777D14425	1		LABEL-RDR:LFTHOODSDE:TUFFY
777D14423	777D14423	1		LABEL-RDR:RTHOODSD:TUFFY
777D12110	777D12110	1		LABEL-RIDER K STYLE HOOD 7SPD
777D12014	777D12014	1		LABEL-RIDER HOOD K STYLE TROY
777X43038	777X43038	1		LABEL-RIDER K STYLE LH
777X43039	777X43039	1		LABEL-RIDER K STYLE RH
777S33017	777S33017	1		LABEL-LT 5 TRANS COVER NO OCR

13WV77KF066 Tuffy (2010)  
Mower Deck 38-Inch

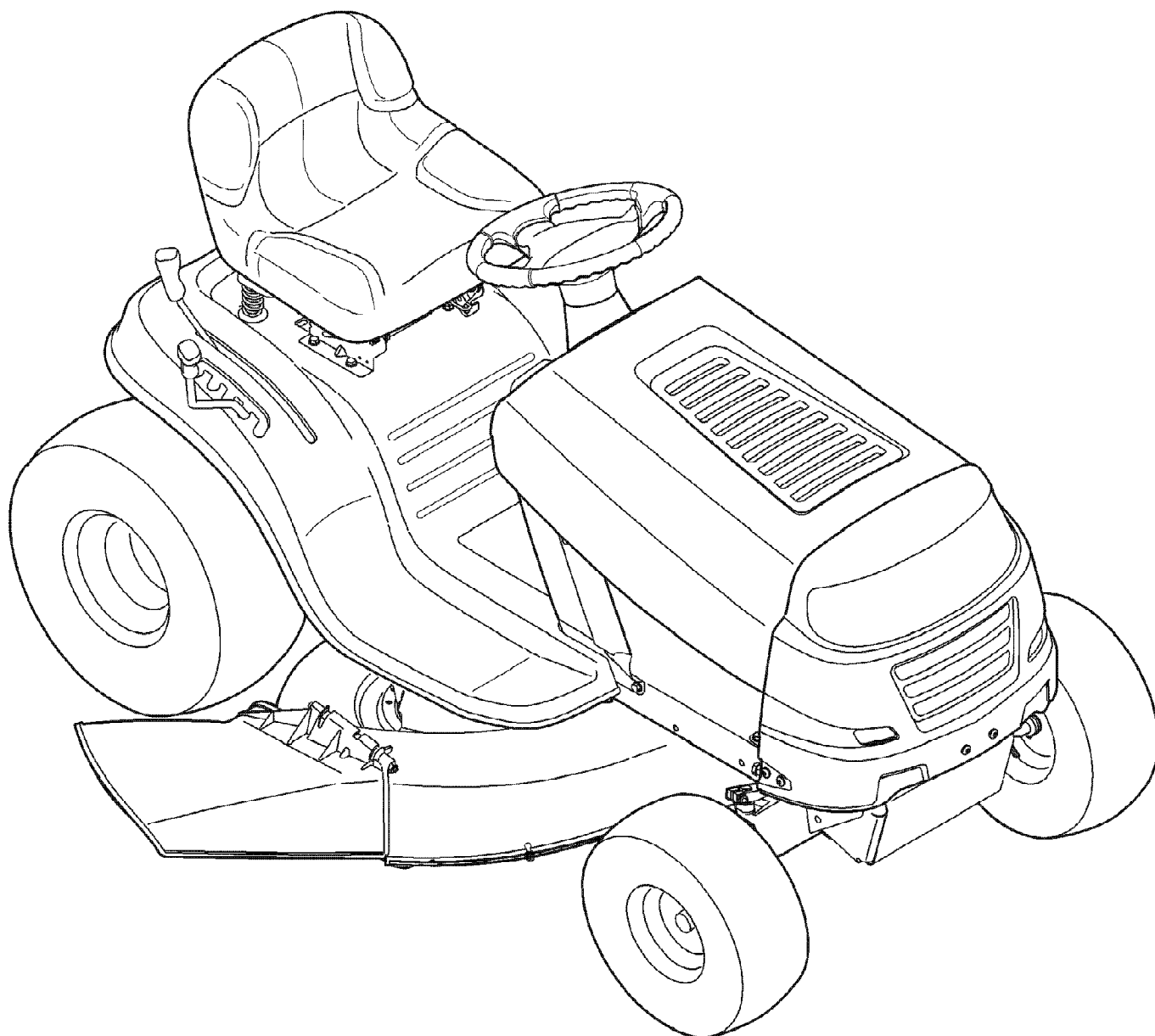


13WV77KF066 Tuffy (2010)  
Mower Deck 38-Inch

Page 14 of 20

Ref #	Part Number	Qty	S/P/F	Description
1	918-04474A	1	/P	5.75" Pulley Spindle Assembly
2	683-04138B-0637	1	/P	Deck Brake Assembly
3	83-04138B-0637	1		Deck Brake Assembly
4	683-04228-0637	1		LH Deck Hanger Bracket
5	983-04263-0638	1		38" Deck Assembly - Red
6	710-0347	1	/P	Hex Screw, 3/8-16 x 1.75
7	710-04484	1		Screw, 5/16-18 x .750
8	710-0528	1	/P	Hex Screw, 5/16-18 x 1.25
9	710-0778	1	/P	Screw, 1/4-20 x 1.50
10	710-3005	1	/P	Hex Screw, 3/8-16 x 1.25
11	710-3008	1	/P	Hex Screw, 5/16-18 x .75
12	710-3015	1	/P	Hex Screw, 1/4-20 x .75
13	912-0206	1	/P	Hex Nut, 1/2-13
14	712-04063	1	/P	Flangelock Nut, 5/16-18
15	712-04065	1	/P	Flangelock Nut, 3/8-16
16	712-0417A	1	/P	Flange Nut, 5/8-18
17	712-3006	1	/P	Hex Nut, 1/4-20
18	712-3083	1	/P	Hexlock Nut, 1/2-13
19	914-0104	1	/P	Cotter Pin, .072 Diameter
20	917-04074	1	/P	Deck Adjuster Gear
21	726-0233	1	/P	Push Nut, .25 x .50
22	732-04280B	1	/P	Extension Spring, .75 x 6.375
23	732-04287	1		Extension Spring, .500 x 6.375
24	936-0119	1	/P	Lock Washer, 5/16
25	736-0270	1	/P	Bell Washer, .265 x .75 x .062
26	936-0300	1	/P	Flat Washer, .406 x .875 x .059
27	738-04162A	1	/P	Shoulder Spacer, .8840 x .190
28	738-04166	1		Shoulder Spacer, .5000 x .1475
29	942-0610A	1	/P	3 in 1 Blade
30	747-04322	1		38" Front Adjust Deck Rod
31	783-04602A-0638	1		Belt Cover - Red
32	747-04381	1	/P	38" Brake Control Rod
33	748-04069	1		Deck Lift, Pivot Cup
34	750-0566A	1	/P	Spacer, .260 x .375 x 1.030
35	954-04062	1	/P	V Type Belt
36	756-04129B	1	/P	Idler Pulley
37	783-04740-0637	1		Deck Engage Cable Bracket
38	931-1032B	1	/P	Chute Assembly 38"
39	938-04241	1	/P	Spindle Shaft, 5.50
40	941-0919	1	/P	Ball Bearing, .787ID x 1.85 OD x .551
41	750-04739	1		Spacer, .820 x 1.150 x .480 LG
42	750-1000	1		Spacer, .80 x 1.10 x 1.322 LG
43	756-1188	1		Deck Pulley, 5.75

13WV77KF066 Tuffy (2010)  
Quick Reference Tuffy

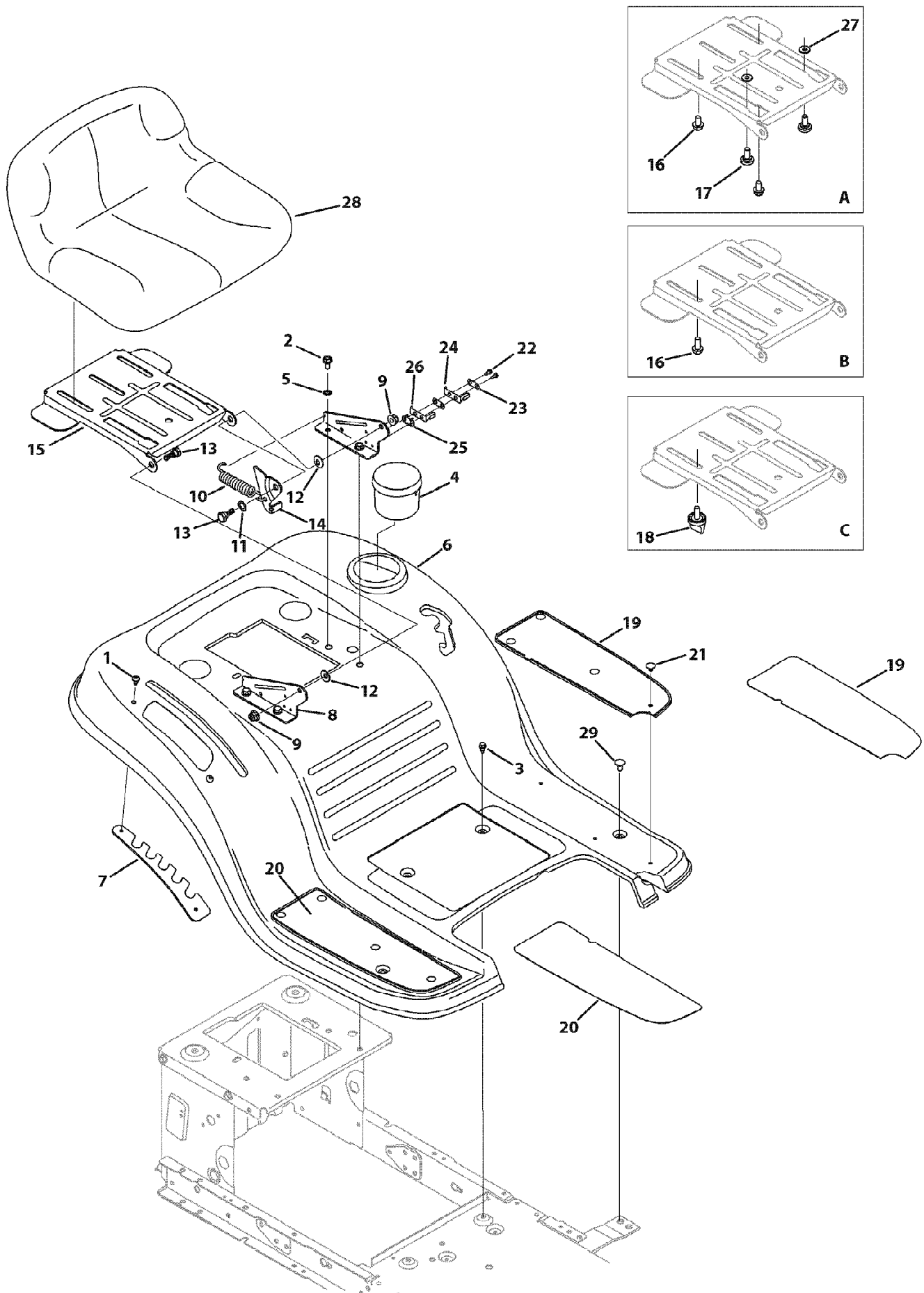


13WV77KF066 Tuffy (2010)  
Quick Reference Tuffy

Page 16 of 20

Ref #	Part Number	Qty	S/P/F	Description
	KH-12-132-02	1	S	Spark Plug
	KH-12-050-01-S	1	/P	Oil Filter
	KH-20-083-03-S	1		Pre Filter
	KH-20-083-02-S	1		Air Filter
	KH-25-050-21-S	1	/P	Fuel Filter
	751-0603A	1	/P	Fuel Cap Replaces 751-3111
	725-04439	1		Solenoid
	918-04474	1	S	Deck Spindles
	942-0610A	1	/P	Blades
	712-0417A	1	/P	Blade Nuts
	923-0448A	1	/P	Ball Joints
	925-1745A	1	/P	Ignition Keys
	N/A	1		Control Cable
	946-04173B	1	S	Deck Engagement Cable
	746-04364	1		Throttle Cable
	954-0241A	1	/P	Upper Drive Belt
	954-04249	1	/P	Lower Drive Belt
	954-04062	1	/P	Deck Spindle Belt
	N/A	1		PTO Belt
	725-04363	1		Safety Switch - Brake
	725-04363	1		Safety Switch - Deck
	931-1032B	1	/P	Chute Assembly 38"
	925-1707D	1	/P	Battery
	OEM-190-116	1	/P	MULCH KIT 38 Attachments
	OEM-190-180A	1	/P	BAGGER 38 Attachments
	OEM-190-679	1	/P	BUMPER KIT Attachments
	OEM-190-607	1		SUNSHADE Attachments
	OEM-190-183	1		DECK WHEEL KIT 38 Attachments
	490-900-0025	1		DECK WASH KIT Attachments



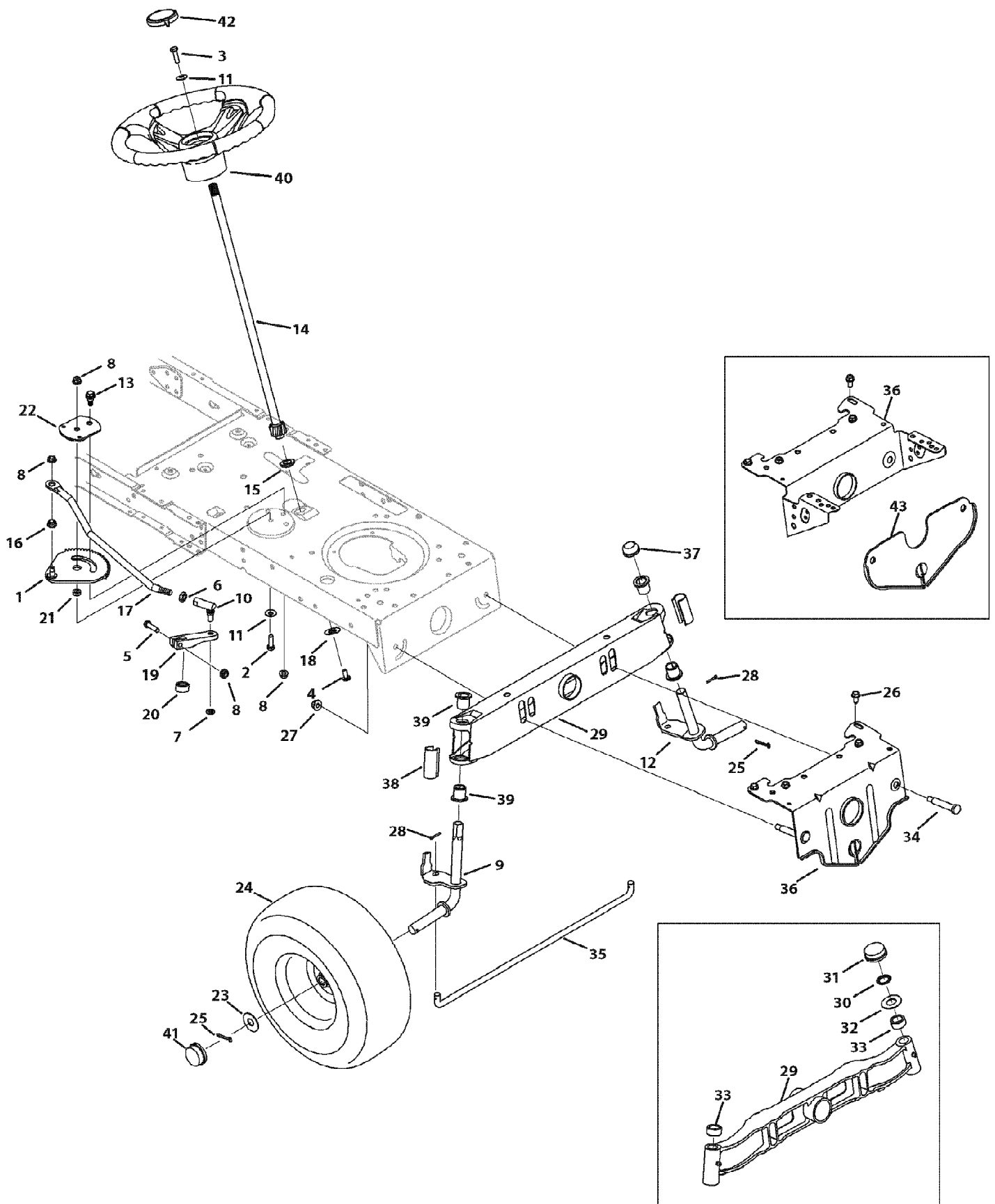


13WV77KF066 Tuffy (2010)  
Seat and Fender

Page 18 of 20

Ref #	Part Number	Qty	S/P/F	Description
1	710-04483	1		Screw, 1/4-20 x .500
2	710-04484	1		Screw, 5/16-18 x .750
3	710-0599	1	/P	Screw Pan Torx Head, 1/4-20 x .500
4	731-04591A	1	/P	Cup Holder
5	736-0607	1	/P	Lock Washer, 5/16
6	783-04587C-0638	1		Fender - Red
7	783-04843-0637	1		Lift Adjuster Bracket - Powder Black
8	783-1489C-0637	1	/P	Seat Mount Bracket - Powder Black
9	712-04063	1	/P	Flangelock Nut, 5/16-18
10	732-1184	1	/P	Extension Spring
11	936-0108	1	/P	Flat Washer, .510x .750 x .033
12	736-0242	1	/P	Bell Washer, .340 x .872 x .060
13	938-0296	1	/P	Shoulder Screw, 5/16-18 x .437 x .268
14	783-0209D	1	/P	Lift Seat Bracket
15	783-04081C-0637	1	/P	Pivot Seat Manual Adjust Bracket
16	710-04482	1		Hex Head Flange, 3/8-16 x .875
17	738-04012A	1	/P	Shoulder Screw, 3/8-16 x .625 x .145
18	720-04061	1		Knob, 3/8-16 x .875
19	735-04047	1		Foot Pad, LH
19	723-04026	1		Foot Pad, Abrasive, LH If equipped
20	735-04048	1		Foot Pad, RH
20	723-04025	1		Foot Pad, Abrasive, RH If equipped
21	726-04072A	1	/P	Ratchet Clip, .250 x .500
22	710-0227	1	/P	Screw, 8-18 x .500
23	726-0279	1		Insulator Plate
24	925-1303	1	/P	Outer Seat Spring
25	726-0278	1		Insulator Boss Plate
26	725-1439	1		Inner Seat Spring
27	936-0140	1	/P	Flat Washer, .385 x .62 x .063
28	757-04099	1		Low Back Seat, Black, Set-up B or C
29	710-0134	1	/P	Screw Carriage, 1/4-20 x .62

13WV77KF066 Tuffy (2010)  
Steering



13WV77KF066 Tuffy (2010)  
Steering

Page 20 of 20

Ref #	Part Number	Qty	S/P/F	Description
1	617-04024	1	S	Front Steering Gear Assembly
2	710-0376	1	/P	Hex Screw, 5/16-18 x 1.00
3	710-0643	1	/P	Hex Screw, 5/16-18 x 1.00, Lock
4	710-1309	1	/P	Machine Screw, 5/16-18 x .750
5	710-3180	1	/P	Hex Screw, 5/16-18 x 1.75
6	912-0240	1	/P	Jam Nut, 7/16-20
7	912-0214	1	/P	Jamlock Nut, 3/8-24
8	712-04063	1	/P	Flangelock Nut, 5/16-18
9	638-04008P	1	/P	Front RH Axle
10	923-0448A	1	/P	Ball Joint, 7/16-20
11	736-0242	1	/P	Bell Washer, .340 x .872 x .060
12	938-04007A-0637	1	/P	Front LH Axle
13	738-04141	1		Shoulder Bolt, 5/16-18 x .435 x .350
14	738-0919A	1	/P	Steering Shaft, 5/8 x 22.08
15	941-04124	1	/P	Flange Bearing, 5/8
16	941-0475	1	/P	Plastic Bushing, .380 ID
17	747-04298	1		Steering Link
18	948-0389	1	/P	Cap, 1.25 x .16
19	748-04065-0637	1	/P	Steering Block
20	748-04068	1		Spacer, .71 x .125 x .56
21	750-04418	1		Spacer, .322 x .625 .21
22	783-04644	1	S	Gear Segment Stabilizer Plater
23	736-04228A	1		Flat Washer, .781 x 1.590
24	634-04325-0911	1		Wheel Assembly, 42"/38" Grey
24	734-04240A	1		Tire Only, 15 x 6 x 6, Round Shld. Not shown
24	634-04081	1	S	Rim Assembly (Incl. bearings & valve stem) Not shown
24	741-0516B	1	/P	Flange Bearing, Not shown
24	741-0990B	1	/P	Flange Bearing, w/grease fitting Not shown
24	734-0255	1	S	Valve, Air Not shown
25	714-04039	1		Cotter Pin, 5/32 x 1.25
26	710-04484	1		Screw, 5/16-18 x .750
27	712-04065	1	/P	Flangelock Nut, 3/8-16
28	914-0474	1	/P	Cotter Pin, .125 x .75
29	683-0128B-0638	1		Pivot Axle - Red
30	726-04035	1		Push Nut, 3/4
31	731-04693	1		Hub Cap
32	936-0316	1	/P	Flat Washer, .78 x 1.59 x .060
33	748-04068	1		Spacer, .71 x .125 x .56
34	738-04128	1		Shoulder Bolt, 3/8-16 x .500 x 2.38
35	747-04299A	1	/P	Fixed Rod
36	783-05326-0637	1	/P	Pivot Bar Bracket
36	783-04601C-0637	1		Pivot Bar Bracket
37	726-0341	1	/P	Push Cap, 3/4
38	731-04057A	1		Standard Axle Cap
39	741-0660A	1	/P	Flange Bearing, .760 x .941 x 1.0
40	631-04028	1		Steering Wheel
41	931-0484A	1	/P	Hub Cap
42	731-04681	1		Cap, Troy-Bilt
43	783-04568-0637	1		Front Deck Hanger Bracket