

13WN77KS011 Pony (2010)
Drive & Transmission

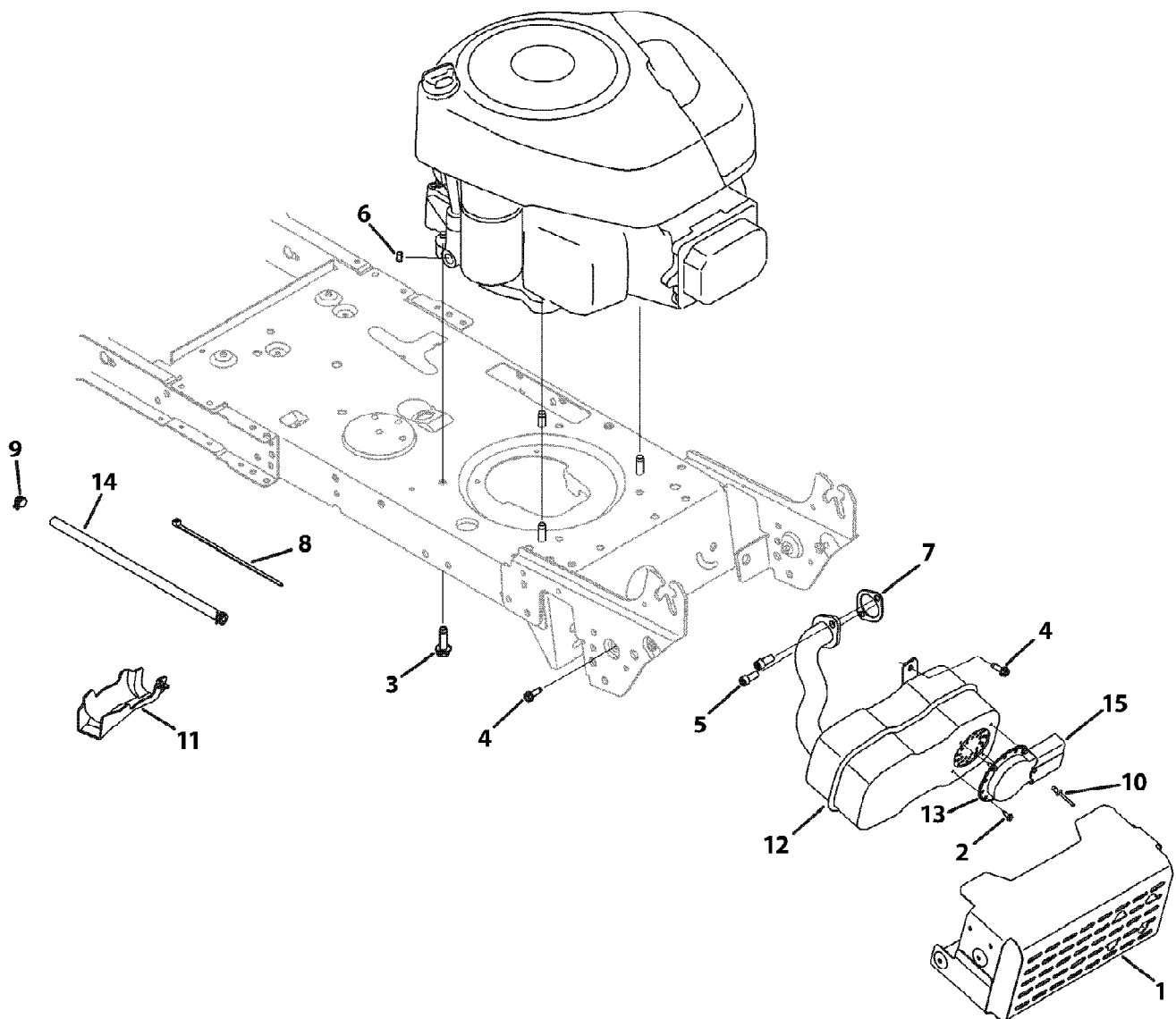
Page 2 of 21

| Ref # | Part Number | Qty | S/P/F | Description |
|-------|-----------------|-----|-------|------------------------------------|
| 1 | 918-04566 | 1 | /P | Transmission Drive Assembly |
| 2 | 647-04034C-0638 | 1 | | Pedal Assembly - Red |
| 3 | 647-04035 | 1 | | Shaft Lever Assembly |
| 4 | 710-0227 | 1 | /P | Screw, 8-18:0.500 |
| 5 | 710-04484 | 1 | | Screw, 5/16-18 x .750 |
| 6 | 710-0599 | 1 | /P | Screw, 1/4-20 x 0.500 |
| 7 | 710-0604A | 1 | /P | Screw, 5/16-18 x 0.625 |
| 8 | 710-0809 | 1 | | Screw, 1/4-20 x 1.250 |
| 9 | 710-1266 | 1 | /P | Hex Screw, 5/16-18 x .625 |
| 9 | 710-0176 | 1 | /P | Hex Screw, 5/16-18 x 2.75 |
| 10 | 710-3008 | 1 | /P | Hex Screw, 5/16-18 x .75 |
| 11 | 911-04075A | 1 | /P | Ferrule, 3/8-24 X .375 DIA. |
| 12 | 712-04063 | 1 | /P | Flangelock Nut, 5/16-18 |
| 13 | 712-0700 | 1 | /P | Flange Nut, 9/16-18 |
| 14 | 914-0209 | 1 | /P | Cotter Pin INT- .125 DIA |
| 15 | 714-04040 | 1 | | Bow-Tie Cotter Pin, 72 |
| 16 | 718-04407 | 1 | | Pulley Hub, 5/8 SPLINE |
| 17 | 720-04028 | 1 | | Shift Knob |
| 18 | 725-0157 | 1 | /P | Cable Tie |
| 19 | 725-1644 | 1 | | Short Spring Switch |
| 20 | 726-0214 | 1 | /P | Push Cap, 5/8 |
| 21 | 926-0320 | 1 | /P | Plate Insulator Nut |
| 22 | 731-04602 | 1 | | Sleeve, .758 x .821 x 3.3125 |
| 23 | 731-04604 | 1 | | Sleeve, .758 x .821 x 2.4375 |
| 24 | 732-04306 | 1 | | Spring Extension, .80 OD x 3.28 LG |
| 25 | 732-04488 | 1 | | Spring Extension, .38 OD x 3.25 LG |
| 26 | 732-0716D | 1 | /P | Spring Extension, .59 OD x 4.00 LG |
| 27 | 735-0239 | 1 | /P | Foot Pad, 4.0 LONG |
| 28 | 756-04325 | 1 | /P | Idler Pulley |
| 29 | 747-05244 | 1 | | Shift Rod, 38/42" |
| 30 | 747-05186 | 1 | | Variable Speed Control Rod |
| 31 | 747-04733A | 1 | | Brake Rod |
| 32 | 747-04969 | 1 | | Belt Keeper Rod |
| 33 | 948-0334 | 1 | /P | Spacer, T-Axle, 46" Only |
| 34 | 750-0566A | 1 | /P | Spacer, .260 x .375 x 1.030 LG |
| 35 | 750-0802 | 1 | | Spacer, .640 ID x .76 OD x 2.63 |
| 36 | 954-0241A | 1 | /P | V Belt, 5L 35.25 POLY |
| 37 | 954-04249 | 1 | /P | V Belt, 5L 70.90 POLY |
| 38 | 956-04002 | 1 | /P | V Pulley 7.25 DIA SPUN |
| 39 | 783-04536B-0637 | 1 | /P | Pedal Support Bracket |
| 40 | 783-04595A | 1 | | Shaft Adjust Bracket |
| 41 | 956-04015A | 1 | /P | Variable Speed Pulley Assembly |
| 42 | 683-04176A | 1 | /P | Transmission Bracket Assembly |
| 43 | 683-04207 | 1 | | Idler Bracket Assembly |
| 44 | 710-0347 | 1 | /P | Hex Screw, 3/8-16 x 1.75 |
| 45 | 710-1260A | 1 | /P | Screw, 5/16-18 x 0.750 |
| 46 | 712-04065 | 1 | /P | Flangelock Nut, 3/8-16 |
| 47 | 938-0347 | 1 | /P | Shoulder Spacer, .625 ID x .169 |
| 48 | 683-04206 | 1 | | Bracket Assembly |
| 49 | 710-0627 | 1 | /P | Hex Screw, 5/16-24 x .750 |
| 50 | 710-0778 | 1 | /P | Screw, 1/4-20 x 1.500 |
| 51 | 718-04261 | 1 | | Bearing Cup |
| 52 | 732-0459C | 1 | /P | Extension Spring, .94 OD x 6.74 LG |

13WN77KS011 Pony (2010)
Drive & Transmission

Page 3 of 21

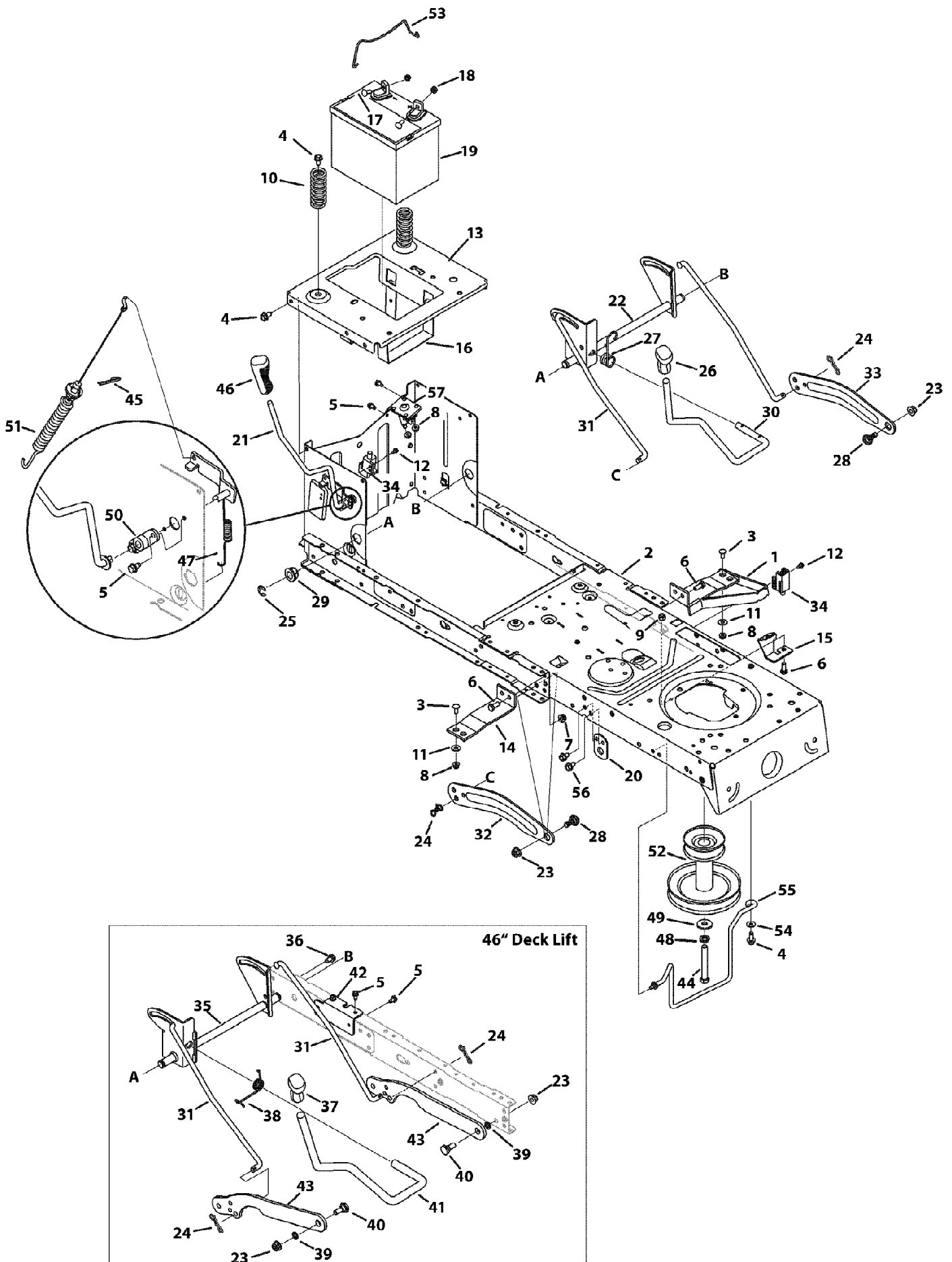
| Ref # | Part Number | Qty | S/P/F | Description |
|-------|----------------|-----|-------|-----------------------------------|
| 53 | 736-0362 | 1 | /P | Flat Washer, .330 x 1.25 x .06:HT |
| 54 | 941-0600 | 1 | /P | Ball Bearing, 17 x 40 x 12 |
| 55 | 634-0104-0911 | 1 | /P | Wheel, 20 x 8 x 8, 38/42" Grey |
| 55 | 734-1730-0901 | 1 | /P | Tire Only 20 x 8 x 8 Not shown |
| 55 | 634-04369-0662 | 1 | | Rim Only Not shown |
| 55 | 934-0255 | 1 | /P | Valve Stem Not shown |
| 56 | 736-0242 | 1 | /P | Bell Washer, .340 x .872 x .060 |
| 57 | 725-04363 | 1 | | Switch Interlock |
| 58 | 17962 | 1 | | Plate Switch |
| 59 | 738-04237A | 1 | | Shoulder Screw, #10-32 x .500 |
| 60 | 731-06894 | 1 | | Shift Plate Bearing |



13WN77KS011 Pony (2010)
Engine Accessories B&S

Page 5 of 21

| Ref # | Part Number | Qty | S/P/F | Description |
|-------|----------------|-----|-------|-----------------------------------|
| 1 | 683-04549-0637 | 1 | /P | Muffler Shield Assembly with Weld |
| 2 | 710-0227 | 1 | /P | Screw, 8-18 x .500 |
| 3 | 710-04683 | 1 | | Screw, 3/8-16 x 1.0 |
| 4 | 710-0642 | 1 | /P | Screw, 1/4-20 x .750 |
| 5 | 710-1314A | 1 | /P | Socket Screw, 5/16-18 x .750 |
| 6 | 712-0271 | 1 | /P | Sems Nut, 1/4-20 |
| 7 | BS-692236 | 1 | /P | Exhaust Gasket, 10 HP Briggs |
| 8 | 725-0157 | 1 | /P | Cable Tie |
| 9 | 726-0205 | 1 | /P | Clamp Hose, .490 diameter |
| 10 | 728-04000 | 1 | | Rivet, .188 x .300 |
| 11 | 731-05628 | 1 | | Oil Drain Sleeve |
| 12 | 751-10448A | 1 | S | Muffler, Single Inlet |
| 13 | 751-0564B | 1 | /P | Muffler Deflector |
| 14 | 751-10349-28 | 1 | /P | Fuel Hose, Low Permeation |
| 15 | 751-10353 | 1 | | Muffler Deflector Long |



13WN77KS011 Pony (2010)
Frame and PTO Lift

Page 7 of 21

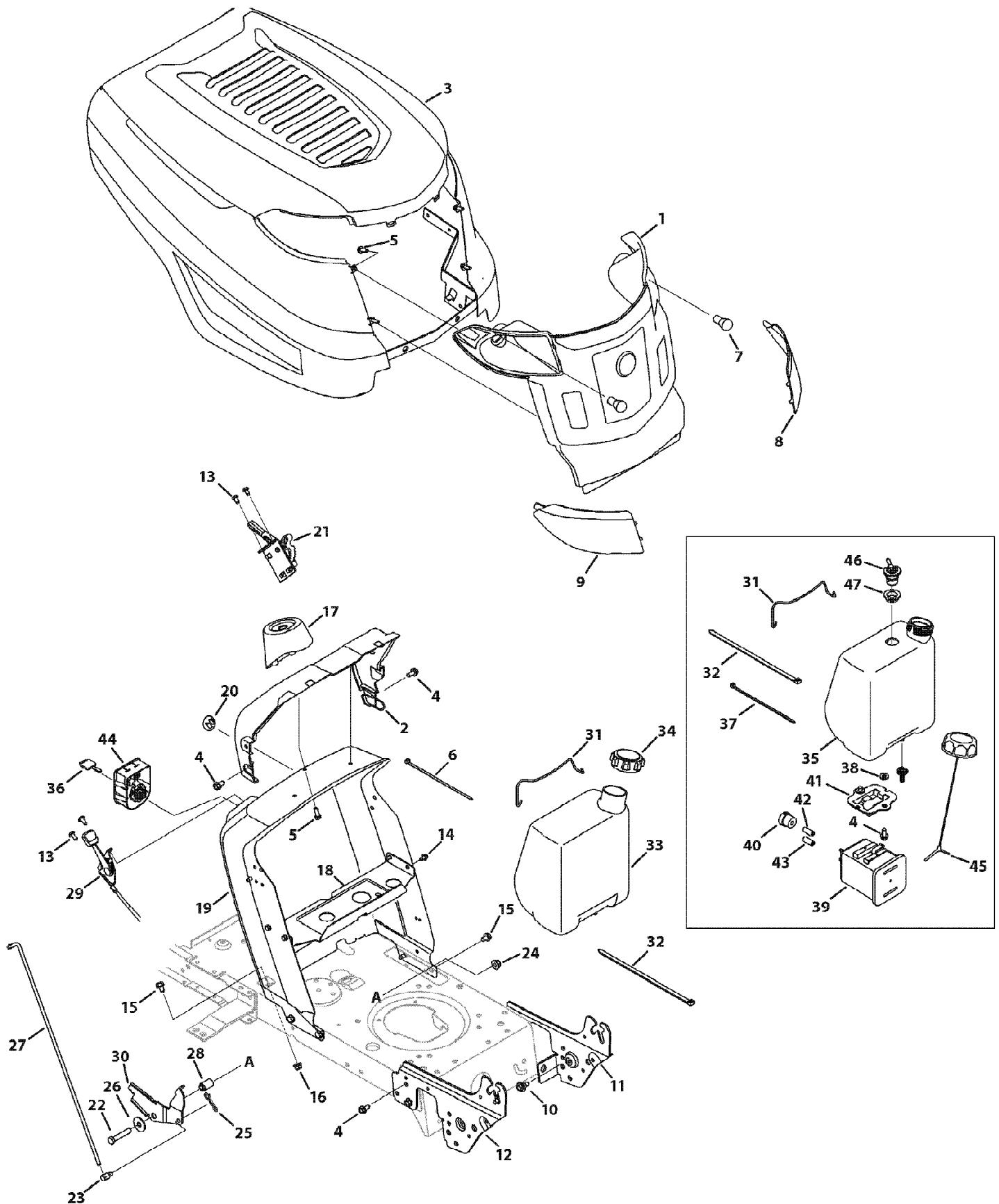
| Ref # | Part Number | Qty | S/P/F | Description |
|-------|-----------------|-----|-------|-------------------------------------|
| 1 | 683-04195-0637 | 1 | | Support Bracket |
| 2 | 683-04601-0638 | 1 | | Frame Assembly - Red |
| 3 | 710-0134 | 1 | /P | Screw Carriage, 1/4-20 x .62 |
| 4 | 710-04484 | 1 | | Screw 5/16-18 x .750 |
| 5 | 710-0599 | 1 | /P | Screw, 1/4-20 x .500 |
| 6 | 710-3008 | 1 | /P | Hex Screw, 5/16-18 x .75 |
| 7 | 712-04063 | 1 | /P | Flangelock Nut, 5/16-18 |
| 8 | 712-04064 | 1 | /P | Flangelock Nut, 1/4-20 |
| 9 | 912-0429 | 1 | /P | Hexlock Nut, 5/16-18 |
| 10 | 732-04035 | 1 | | Compression Spacer, 1.28 x 3.125 |
| 11 | 736-0173 | 1 | /P | Flat Washer, .28 x .74 x .063 |
| 12 | 738-04237A | 1 | | Shoulder Spacer, 10-32 x .500 |
| 13 | 783-04548C-0637 | 1 | /P | Seat Frame Bracket |
| 14 | 783-04637-0637 | 1 | /P | Running Board Bracket |
| 15 | 783-04753-0637 | 1 | | Support Frame Bracket |
| 16 | 783-04869A-0637 | 1 | /P | Battery Bracket |
| 17 | 710-04666 | 1 | | Hex Head Flange, 1/4-20 x .75 |
| 18 | 712-0271 | 1 | /P | Sems Nut, 1/4-20 |
| 19 | 925-1707D | 1 | /P | 230 CCA Battery |
| 20 | 783-04536B-0637 | 1 | /P | Support Bracket |
| 21 | 647-04096-0637 | 1 | /P | PTO Handle Assembly |
| 22 | 683-04155A-0637 | 1 | /P | Lift Assembly, 38/42" |
| 23 | 712-04065 | 1 | /P | Flangelock Nut, 3/8-16 |
| 24 | 714-04040 | 1 | | Bow-tie Cotter Pin |
| 25 | 716-0106A | 1 | | E Ring |
| 26 | 720-0311 | 1 | | Handle Grip, 1/2 |
| 27 | 732-04225 | 1 | | Torsion Spring |
| 28 | 738-04130 | 1 | | Shoulder Bolt, 3/8-16 x .625 x .175 |
| 29 | 941-0225 | 1 | /P | Hex Flange Bearing |
| 30 | 747-04282 | 1 | | Deck Lift Handle |
| 31 | 747-04393 | 1 | | Lift Rod |
| 32 | 783-04494C-0637 | 1 | /P | 38/42" Lift Arm, RH |
| 33 | 783-04711C-0637 | 1 | /P | 38/42" Lift Arm, LH |
| 34 | 725-04363 | 1 | | Switch Interlock |
| 35 | 683-04334-0637 | 1 | /P | Lift Assembly, 46" |
| 36 | 710-0604A | 1 | /P | Screw, 5/16-18 x .625 |
| 37 | 720-0298 | 1 | | Handle Grip, 5/8 |
| 38 | 732-04438 | 1 | | Torsion Spring Handle, 46" |
| 39 | 936-0140 | 1 | /P | Flat Washer, .385 x .62 x .063 |
| 40 | 938-0380 | 1 | /P | Shoulder Bolt, 3/8-16 x .500 x .270 |
| 41 | 747-04653 | 1 | | 46" Lift Handle |
| 42 | 783-05389A-0637 | 1 | /P | Frame Brace Bracket |
| 43 | 783-0678C-0637 | 1 | /P | Lift Deck Link |
| 44 | 710-04608 | 1 | | Hex Screw, 7/16-20 x 3.25, 38/42" |
| 45 | 914-0145 | 1 | /P | Click Pin, .092 x 1.64 |
| 46 | 720-04049A | 1 | /P | Handle Grip, 3/8 |
| 47 | 732-04276A | 1 | /P | PTO Spring Extension |
| 48 | 936-0171 | 1 | /P | Regular Duty Washer Lock, 7/16 |
| 49 | 736-0322 | 1 | /P | Flat Washer, .450 x 1.250 x .164 |
| 50 | 741-04119A | 1 | /P | PTO Bearing |
| 51 | 946-04173B | 1 | S | Deck Engage Cable |
| 52 | 756-04196A | 1 | /P | Engine Pulley, 3.39 x 6.12, 38/42" |
| 53 | 683-04448-0637 | 1 | /P | Battery Hold Down Rod |

13WN77KS011 Pony (2010)
Frame and PTO Lift

Page 8 of 21

| Ref # | Part Number | Qty | S/P/F | Description |
|-------|-------------|-----|-------|---------------------------------|
| 54 | 936-0300 | 1 | /P | Flat Washer, .406 x .875 x .059 |
| 55 | 747-04332A | 1 | /P | 38" Belt Keeper |
| 55 | 747-04857 | 1 | /P | 42" Belt Keeper |
| 56 | 710-0604A | 1 | /P | Screw, 5/16-18.0 x .625 |
| 57 | 725-04439 | 1 | | 12V Solenoid |

13WN77KS011 Pony (2010)
Hood & Dash Assembly



13WN77KS011 Pony (2010)
Hood & Dash Assembly

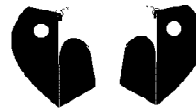
Page 10 of 21

| Ref # | Part Number | Qty | S/P/F | Description |
|-------|-----------------|-----|-------|-------------------------------------|
| 1 | 631-04272 | 1 | /P | Grill Assembly, Troy-Bilt |
| 1 | 931-06796 | 1 | /P | Grill Assembly, K-Style |
| 2 | 731-05078C | 1 | /P | Dash Collar |
| 2 | 731-06404 | 1 | | K-Style Bumper |
| 2 | 710-04261 | 1 | | Screw, #12-16 x .50 |
| 3 | 683-04441-0638 | 1 | | Hood Assembly |
| 4 | 710-04484 | 1 | | Screw, 5/16-18 x .750 |
| 5 | 710-0895 | 1 | | Screw, 1/4-15 x .750 |
| 6 | 725-0157 | 1 | /P | Cable Tie |
| 7 | 925-0963 | 1 | /P | Lamp |
| 8 | 731-06095 | 1 | | Left Lens |
| 9 | 731-06096 | 1 | | Right Lens |
| 10 | 738-04091A | 1 | /P | Shoulder Screw, 5/16-18 x .43 x .29 |
| 11 | 783-05327B-0637 | 1 | /P | Left Support Pivot Bracket |
| 12 | 783-05328A-0637 | 1 | /P | Right Support Pivot Bracket |
| 13 | 710-04483 | 1 | | Screw, 1/4-20 x .500 |
| 14 | 710-0599 | 1 | /P | Hex Washer Screw, 1/4-20 x .500 |
| 15 | 710-0604A | 1 | /P | Screw, 5/16-18 x .625 |
| 16 | 712-04063 | 1 | /P | Flangelock Nut, 5/16-18 |
| 17 | 731-04945 | 1 | | Steering Support |
| 18 | 783-04584A-0637 | 1 | /P | Gas Tank Support Bracket |
| 19 | 783-04873B-0638 | 1 | /P | Dash, No RMC - Red |
| 20 | 731-05265 | 1 | | Choke Plug |
| 21 | 983-04216 | 1 | /P | 7-Speed Control Assembly |
| 22 | 710-3144 | 1 | /P | Hex Screw, 3/8-16 x 2.0 |
| 23 | 711-0736 | 1 | /P | Ferrule, 1/4-20 x 1.00 |
| 24 | 710-04065 | 1 | /P | Flangelock Nut, 3/8-16 |
| 25 | 714-04040 | 1 | | Bow Tie Cotter Pin, 72 |
| 26 | 936-0133 | 1 | /P | Flat Washer, .411 x 1.25 x .100 |
| 27 | 747-04430 | 1 | | Speed Selector |
| 28 | 750-04465 | 1 | | Flange Spacer, .390 x .671 x 1.095 |
| 29 | 746-04364 | 1 | | Throttle/Choke Cable |
| 30 | 783-04903 | 1 | | Speed Latch - No RMC |
| 31 | 683-04448-0637 | 1 | /P | Battery Assembly Rod |
| 32 | 726-0230 | 1 | /P | Cable Tie |
| 33 | 751-0555B | 1 | /P | 1.5 Gallon Fuel Tank |
| 34 | 751-0603A | 1 | /P | Fuel Cap |
| 35 | 751-10782 | 1 | S | 1.36 Gallon Fuel Tank |
| 36 | 925-1745A | 1 | /P | Key |
| 37 | 725-0157 | 1 | /P | Cable Tie |
| 38 | 936-3008 | 1 | /P | Flat Washer, .344 x .750 x .120 |
| 39 | 951-10589 | 1 | /P | 5 Gallon Carbon Canister |
| 40 | 951-10590 | 1 | /P | Vent Filter Canister |
| 41 | 951-10610 | 1 | /P | Canister Adapter Bracket |
| 42 | 751-10749-30 | 1 | | Fuel Hose, White |
| 43 | 751-10750-28 | 1 | | Fuel Hose, Yellow |
| 44 | 925-04659 | 1 | /P | 3 Position Key Switch |
| 45 | 951-10947 | 1 | /P | Fuel Cap, 2.25" |
| 46 | 751-10441 | 1 | | Rollover Valve |
| 47 | 735-04081 | 1 | | Rubber Grommet, 23 x 3.55 |

777X44277
Place Under Hood

| Model | Part No. | Part Name | Part No. |
|-------------|-----------|-----------|-----------|
| 13WN77KS011 | 777X44277 | Label | 777X44277 |

Drivers RIGHT (777X43039) Drivers LEFT (777X43038)



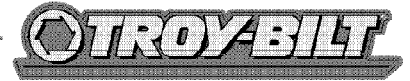
777I22453
Place On Fender With The Pto Side Next To The Pto And The Deck Height Next To The Deck Height



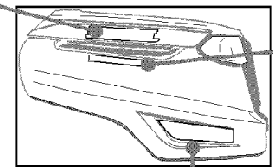
If BJ label Has Important Emmissions Information



777D12014 x 2
Align to top side of hood on both sides - center over intake



777D12110 x 2
Center under the intake



777D13164
Align to LOWER Side Panel



777D13165
Align to LOWER Side Panel



777D12005
Center REAR fender



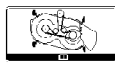
777D12223



Ref. - 777D13024



777I23092



777S30503



777S30018

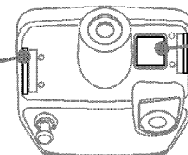


777S33329

Reference Only



777I22455



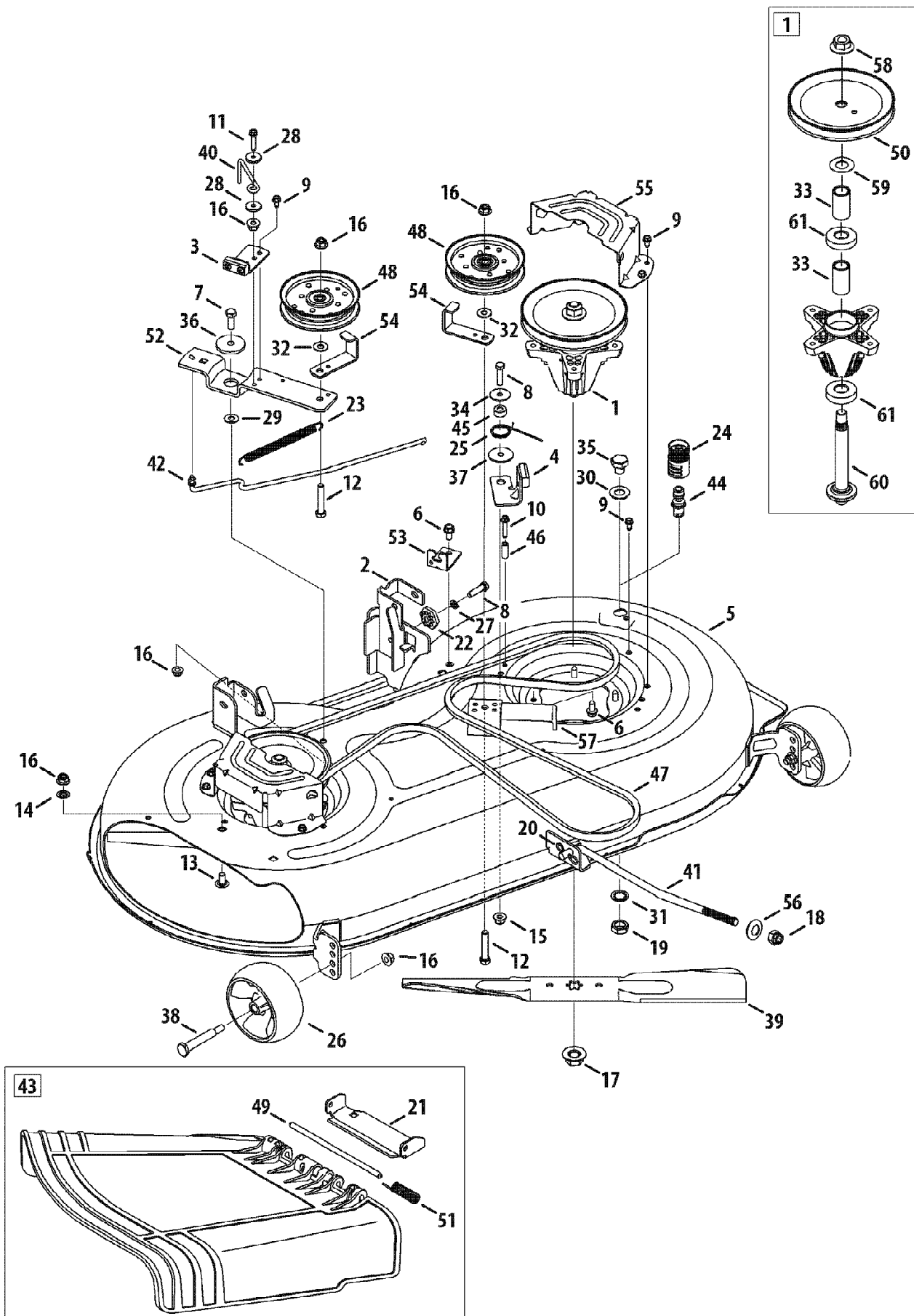
777I22479



13WN77KS011 Pony (2010)
Label Map Pony

Page 12 of 21

| Ref # | Part Number | Qty | S/P/F | Description |
|-----------|-------------|-----|-------|---|
| 777X44277 | 777X44277 | 1 | | LABEL-RDR:PARTS:13WN/13AN77KS |
| 777I22453 | 777I22453 | 1 | | LABEL-RIDER LT-5 F |
| 777D12005 | 777D12005 | 1 | | LABEL-RIDER REAR FENDER TROY |
| 777D12223 | 777D12223 | 1 | | LABEL-RIDER DECK RED TROY 42" |
| 777S30018 | 777S30018 | 1 | /P | LABEL-DECK SAFETY |
| 777I23092 | 777I23092 | 1 | | LABEL-BELT ROUTING 46 OFFSET |
| 777S30503 | 777S30503 | 1 | /P | LABEL-DANGER CHUTE |
| 777S33329 | N/A | 1 | | LABEL-RDRCHT:DNGCUT:42CMMN Mold In Graphic |
| 777D13024 | 777D13024 | 1 | | LABEL-TROYBILT/GEAR |
| 777I22455 | 777I22455 | 1 | | LABEL-RIDER LT-5 D |
| 777I22479 | 777I22479 | 1 | | LABEL- RIDER LT-5 |
| 777D13165 | 777D13165 | 1 | | LABEL-RIDER LOWER LH PONY |
| 777D13164 | 777D13164 | 1 | | LABEL-RIDER LOWER RH PONY |
| 777D12110 | 777D12110 | 1 | | LABEL-RIDER K STYLE HOOD 7SPD TRAN |
| 777D12014 | 777D12014 | 1 | | LABEL-RIDER HOOD K STYLE TROY |
| 777X43038 | 777X43038 | 1 | | LABEL-RIDER K STYLE LH |
| 777X43039 | 777X43039 | 1 | | LABEL-RIDER K STYLE RH |
| 777S33017 | 777S33017 | 1 | | LABEL-LT 5 TRANS COVER NO OCR |
| 777I22454 | 777I22454 | 1 | | LABEL-RIDER LT-5 F |



13WN77KS011 Pony (2010)
Mower Deck 42-Inch

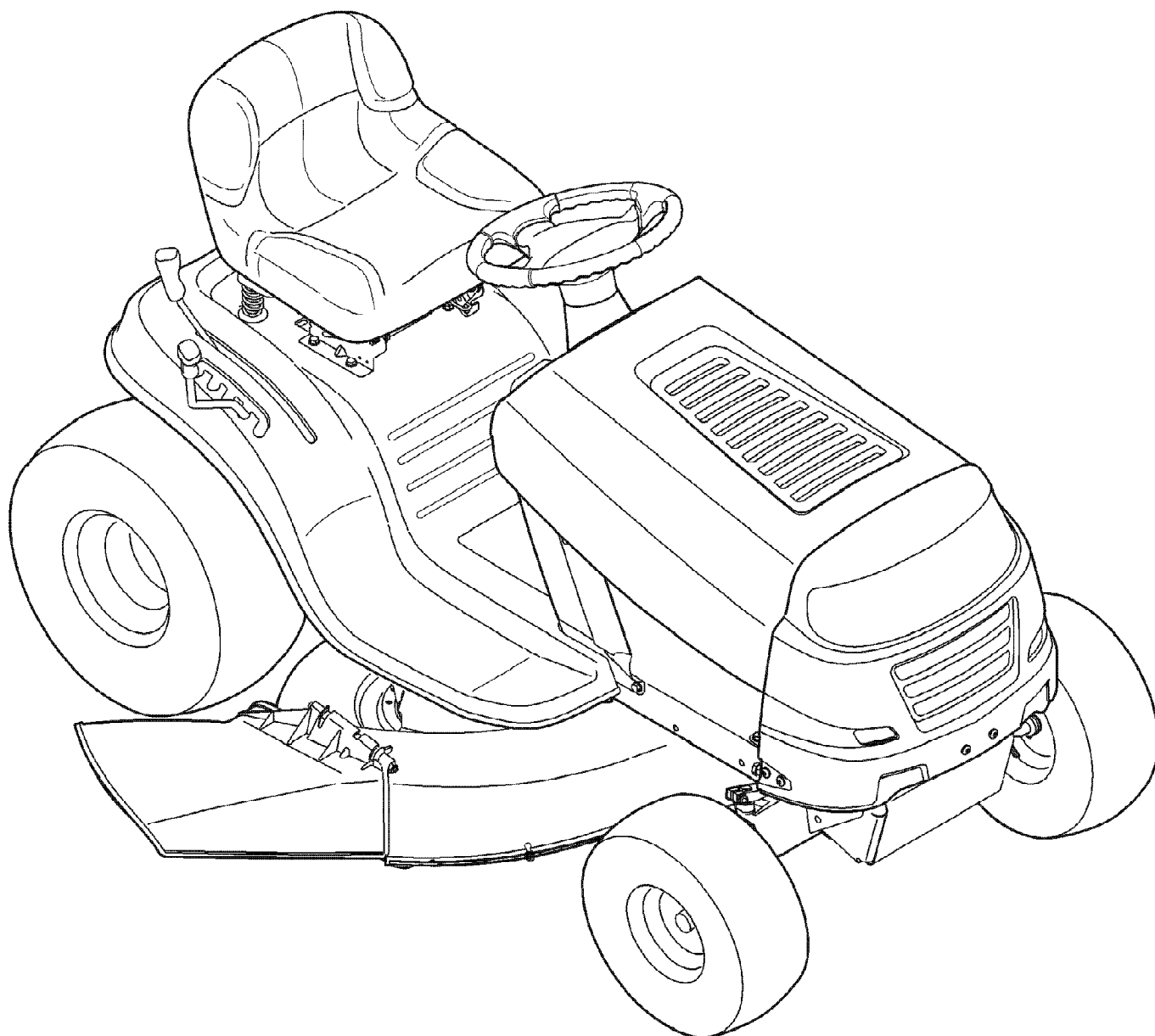
Page 14 of 21

| Ref # | Part Number | Qty | S/P/F | Description |
|-------|----------------|-----|-------|--|
| 1 | 918-04822A | 1 | /P | Spindle Assembly, Pulley, 6.3 Dia |
| 2 | 683-0254B-0637 | 1 | /P | Bracket Assembly, Deck, Hngr Lh Lt |
| 3 | 983-04511 | 1 | /P | Brake Assembly, Deck, 42/46 |
| 4 | 983-04525 | 1 | /P | Brake Assembly, Deck, 46" |
| 5 | 983-04570-0637 | 1 | /P | Deck Assembly, Sd, Offset, 42 W/O Wheels |
| 5 | 983-04572-0637 | 1 | /P | Deck Assembly, Sd, Offset, 42 W/ 2Wheels |
| 6 | 710-04484 | 1 | | Screw, Tt, 5/16-18, .750, Hxindwsh |
| 7 | 710-0514 | 1 | /P | Hhcs, 3/8-16, 1.00, Gr5, Std |
| 8 | 710-0528 | 1 | /P | Hhcs, 5/16-18, 1.25, Gr5, Std |
| 9 | 710-0599 | 1 | /P | Screw, Tt, 1/4-20, 0.500, Hxindwsh |
| 10 | 710-0778 | 1 | /P | Screw, Tt, 1/4-20, 1.500, Hxindwsh |
| 11 | 710-0809 | 1 | | Screw, Tt, 1/4-20, 1.250, Hxindwsh |
| 12 | 710-3144 | 1 | /P | Hhcs, 3/8-16, 2.00, Gr5, Std |
| 13 | 710-3178 | 1 | /P | Bolt, Crg, 3/8-16, 0.75, Gr1 |
| 14 | 712-0229 | 1 | | Nut, Push, 3/8 |
| 15 | 712-04063 | 1 | /P | Nut, Flglk, 5/16-18, Grf, Nylon |
| 16 | 712-04065 | 1 | /P | Nut, Flglk, 3/8-16, Grf, Nylon |
| 17 | 712-0417A | 1 | /P | Nut, Flg, 5/8-18 |
| 18 | 712-04243 | 1 | | Nut, Flxlk, 1/2-13 |
| 19 | 912-0641 | 1 | /P | Nut, Hex, M16-1.5 Din 936 |
| 20 | 714-04043 | 1 | | Bow-Tie Cotter Pin |
| 21 | 783-06074A | 1 | | Chute Bracket |
| 22 | 917-04074 | 1 | /P | Gear, Deck, Adj |
| 23 | 932-0384 | 1 | /P | Spring, Extension, .62 Dia X 6.12 Lg |
| 24 | 921-04041 | 1 | /P | Water Nozzle Adapter |
| 25 | 732-04727 | 1 | | Spring, Torsn, .992 I.D X 1.17 O.D |
| 26 | 734-04155 | 1 | | Wheel, Deck, 5.0 Dia Ball |
| 27 | 936-0119 | 1 | /P | Washer, Lock, 5/16, Regular Duty |
| 28 | 936-0176 | 1 | /P | Washer, Flat, .265 X .938 X .120 |
| 29 | 936-0344 | 1 | /P | Washer, Flat, .385 X 1.0 X .030 |
| 30 | 736-0187 | 1 | /P | Washer, Flat, .64 X 1.24 X .06, Ht |
| 31 | 736-0225 | 1 | /P | Washer, Lock, 5/8, Int Tooth |
| 32 | 736-0262 | 1 | /P | Washer, Flat, .385 X .870 X .092 |
| 33 | 750-04936 | 1 | | Spacer, .792 X 1.060 X 1.860 Lg |
| 34 | 736-0362 | 1 | /P | Washer, Flat, .330 X 1.25 X .06, Ht |
| 35 | 738-04146 | 1 | | Plug, Bolt, M16 X 1.5 |
| 36 | 738-04162A | 1 | /P | Spacer, Shoulder, .8840 X .190 |
| 37 | 738-04166 | 1 | | Spacer, Shoulder, .5000 X .1475 |
| 38 | 938-3056 | 1 | /P | Bolt, Shoulder, .496 X 2.50, 3/8-16 |
| 39 | 942-04308 | 1 | /P | Blade, Cut, 21.23" 2-In-1 |
| 40 | 747-04530 | 1 | | Rod, Keepr, Belt 42 Idler |
| 41 | 747-04944B | 1 | /P | Rod, Lift, Deck, Frt, 13.7 |
| 42 | 747-05105 | 1 | | Rod, Cont, Brake 42" |
| 43 | 631-04460 | 1 | | Chute Assembly, 42" Deck |
| 44 | 737-04003D | 1 | /P | Deck Water Nozzle |
| 45 | 750-0258 | 1 | /P | Spacer, .315 X .750 X .375 Lg |
| 46 | 750-0566A | 1 | /P | Spacer, .260 X .375 X 1.030 Lg |
| 47 | 954-04060B | 1 | /P | Belt, V Typ, A Sec X 96.5 |
| 48 | 756-04129B | 1 | /P | Pulley, Idler, 4.25"Dia |
| 49 | 711-04847A | 1 | S | Pin, Hinge, Dia .3125 X 7.96 Lg |
| 50 | 956-1227 | 1 | /P | Pulley, Deck, 6.3 Dia |
| 51 | 732-04372 | 1 | | Spring, Torsion, .44 I.D. X 2.0 |
| 52 | 783-05946 | 1 | | Bracket, Idler, Piv, 46 |

13WN77KS011 Pony (2010)
Mower Deck 42-Inch

Page 15 of 21

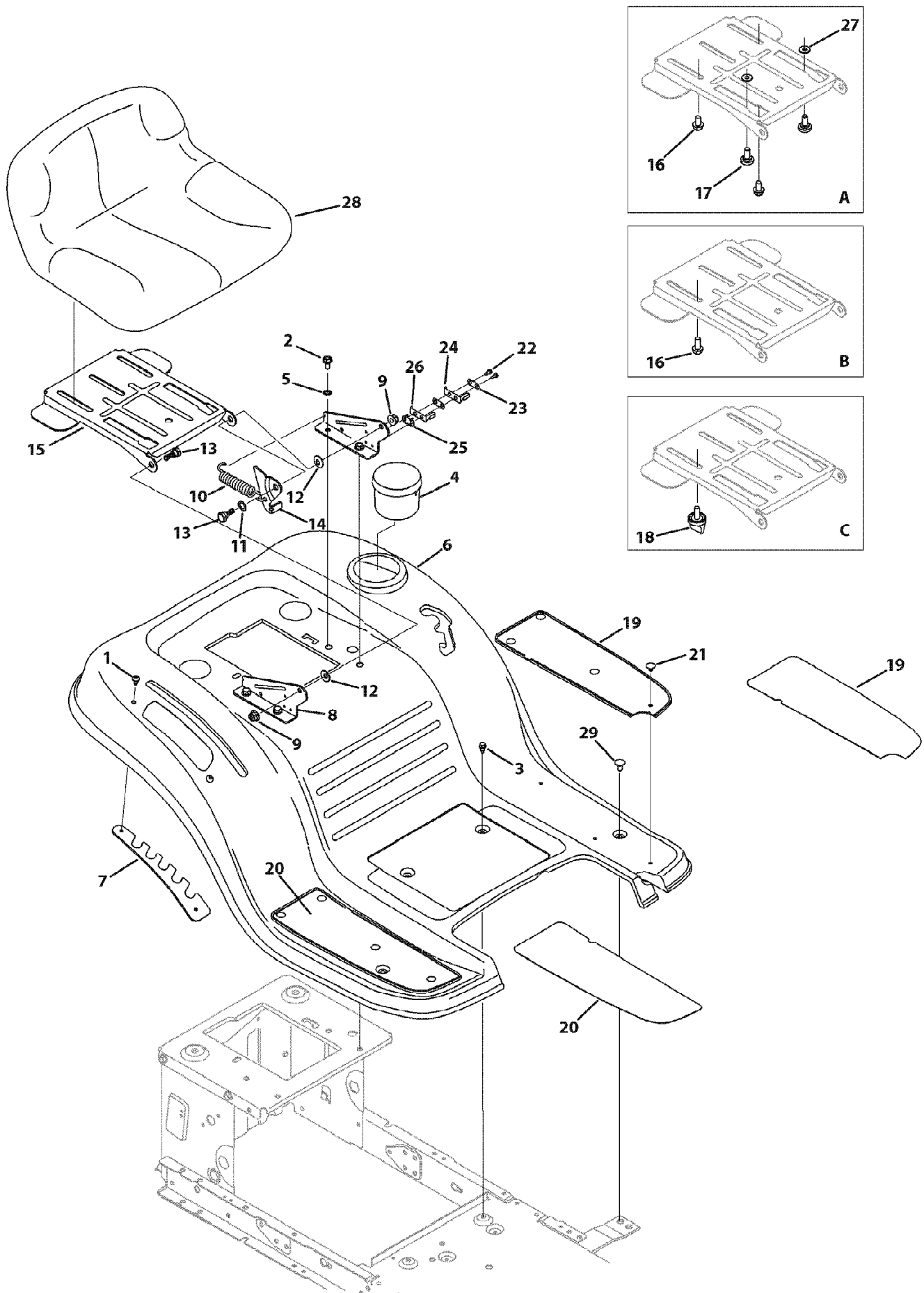
| Ref # | Part Number | Qty | S/P/F | Description |
|-------|-----------------|-----|-------|--------------------------------------|
| 53 | 783-06243-0637 | 1 | | Bracket, Cable, Deck Engage |
| 54 | 783-06368-0637 | 1 | S | Bracket, Guard, Belt, 4.25 Pulley |
| 55 | 783-06424A-0637 | 1 | | Cover, Belt, Deck, 42 |
| 56 | 748-04069 | 1 | | Deck Lift Pivot Cup |
| 57 | 783-06643-0637 | 1 | | Bracket, Supt, Deck Stationary Idler |
| 58 | 712-0417A | 1 | /P | Nut, Flg, 5/8-18 |
| 59 | 936-0351 | 1 | /P | Washer, Flat, .760 Idx1.50 Od |
| 60 | 738-1186A | 1 | | Shaft, Spindle, 6.11 Lg. |
| 61 | 941-0919 | 1 | /P | Bearing, Ball, .787id X 1.85 Odx.551 |



13WN77KS011 Pony (2010)
Quick Reference Pony

Page 17 of 21

| Ref # | Part Number | Qty | S/P/F | Description |
|-------|-------------|-----|-------|----------------------------|
| | 759-3336 | 1 | /P | Spark Plug |
| | BS-492932S | 1 | /P | Oil Filter |
| | BS-697015 | 1 | /P | Pre Filter |
| | BS-795115 | 1 | /P | Air Filter |
| | 951-3013 | 1 | S | Fuel Filter |
| | 751-0603A | 1 | /P | Fuel Cap Replaces 751-3111 |
| | 725-04439 | 1 | | Solenoid |
| | 918-04822A | 1 | /P | Deck Spindles |
| | 942-04308 | 1 | /P | Blades |
| | 712-0417A | 1 | /P | Blade Nuts |
| | 734-04155 | 1 | | Deck Wheels |
| | 923-0448A | 1 | /P | Ball Joints |
| | 925-1745A | 1 | /P | Ignition Keys |
| | N/A | 1 | | Control Cable |
| | 946-04173B | 1 | S | Deck Engagement Cable |
| | 746-04364 | 1 | | Throttle Cable |
| | 954-0241A | 1 | /P | Upper Drive Belt |
| | 954-04249 | 1 | /P | Lower Drive Belt |
| | 954-04060B | 1 | /P | Deck Spindle Belt |
| | N/A | 1 | | PTO Belt |
| | 725-04363 | 1 | | Safety Switch - Brake |
| | 725-04363 | 1 | | Safety Switch - Deck |
| | 631-04460 | 1 | | Discharge Chute |
| | 925-1707D | 1 | /P | Battery |
| | 19A30006100 | 1 | | MULCH KIT 42" Attachments |
| | 19A30003OEM | 1 | | BAGGER 42" Attachments |
| | OEM-190-679 | 1 | /P | BUMPER KIT Attachments |
| | OEM-190-607 | 1 | | SUNSHADE Attachments |

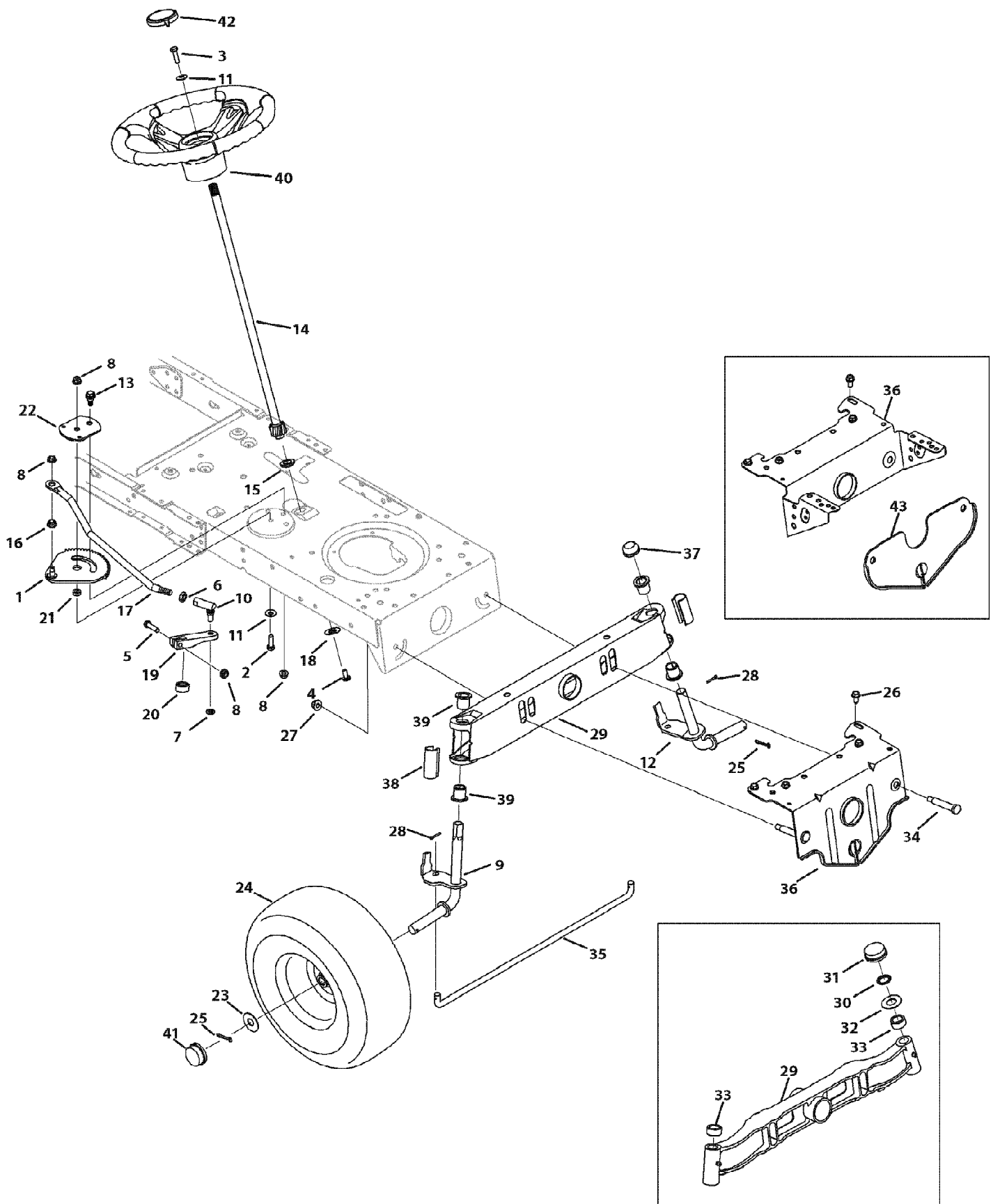


13WN77KS011 Pony (2010)
Seat and Fender

Page 19 of 21

| Ref # | Part Number | Qty | S/P/F | Description |
|-------|-----------------|-----|-------|---------------------------------------|
| 1 | 710-04483 | 1 | | Screw, 1/4-20 x .500 |
| 2 | 710-04484 | 1 | | Screw, 5/16-18 x .750 |
| 3 | 710-0599 | 1 | /P | Screw Pan Torx Head, 1/4-20 x .500 |
| 4 | 731-04591A | 1 | /P | Cup Holder |
| 5 | 736-0607 | 1 | /P | Lock Washer, 5/16 |
| 6 | 783-04587C-0638 | 1 | | Fender - Red |
| 7 | 783-04843-0637 | 1 | | Lift Adjuster Bracket - Powder Black |
| 8 | 783-1489C-0637 | 1 | /P | Seat Mount Bracket - Powder Black |
| 9 | 712-04063 | 1 | /P | Flangelock Nut, 5/16-18 |
| 10 | 732-1184 | 1 | /P | Extension Spring |
| 11 | 936-0108 | 1 | /P | Flat Washer, .510x .750 x .033 |
| 12 | 736-0242 | 1 | /P | Bell Washer, .340 x .872 x .060 |
| 13 | 938-0296 | 1 | /P | Shoulder Screw, 5/16-18 x .437 x .268 |
| 14 | 783-0209D | 1 | /P | Lift Seat Bracket |
| 15 | 783-04081C-0637 | 1 | /P | Pivot Seat Manual Adjust Bracket |
| 16 | 710-04482 | 1 | | Hex Head Flange, 3/8-16 x .875 |
| 17 | 738-04012A | 1 | /P | Shoulder Screw, 3/8-16 x .625 x .145 |
| 18 | 720-04061 | 1 | | Knob, 3/8-16 x .875 |
| 19 | 735-04047 | 1 | | Foot Pad, LH |
| 19 | 723-04026 | 1 | | Foot Pad, Abrasive, LH If equipped |
| 20 | 735-04048 | 1 | | Foot Pad, RH |
| 20 | 723-04025 | 1 | | Foot Pad, Abrasive, RH If equipped |
| 21 | 726-04072A | 1 | /P | Ratchet Clip, .250 x .500 |
| 22 | 710-0227 | 1 | /P | Screw, 8-18 x .500 |
| 23 | 726-0279 | 1 | | Insulator Plate |
| 24 | 925-1303 | 1 | /P | Outer Seat Spring |
| 25 | 726-0278 | 1 | | Insulator Boss Plate |
| 26 | 725-1439 | 1 | | Inner Seat Spring |
| 27 | 936-0140 | 1 | /P | Flat Washer, .385 x .62 x .063 |
| 28 | 757-04099 | 1 | | Low Back Seat, Black, Set-up B or C |
| 29 | 710-0134 | 1 | /P | Screw Carriage, 1/4-20 x .62 |

13WN77KS011 Pony (2010)
Steering



13WN77KS011 Pony (2010)
Steering

Page 21 of 21

| Ref # | Part Number | Qty | S/P/F | Description |
|-------|-----------------|-----|-------|---|
| 1 | 617-04024 | 1 | S | Front Steering Gear Assembly |
| 2 | 710-0376 | 1 | /P | Hex Screw, 5/16-18 x 1.00 |
| 3 | 710-0643 | 1 | /P | Hex Screw, 5/16-18 x 1.00, Lock |
| 4 | 710-1309 | 1 | /P | Machine Screw, 5/16-18 x .750 |
| 5 | 710-3180 | 1 | /P | Hex Screw, 5/16-18 x 1.75 |
| 6 | 912-0240 | 1 | /P | Jam Nut, 7/16-20 |
| 7 | 912-0214 | 1 | /P | Jamlock Nut, 3/8-24 |
| 8 | 712-04063 | 1 | /P | Flangelock Nut, 5/16-18 |
| 9 | 638-04008P | 1 | /P | Front RH Axle |
| 10 | 923-0448A | 1 | /P | Ball Joint, 7/16-20 |
| 11 | 736-0242 | 1 | /P | Bell Washer, .340 x .872 x .060 |
| 12 | 938-04007A-0637 | 1 | /P | Front LH Axle |
| 13 | 738-04141 | 1 | | Shoulder Bolt, 5/16-18 x .435 x .350 |
| 14 | 738-0919A | 1 | /P | Steering Shaft, 5/8 x 22.08 |
| 15 | 941-04124 | 1 | /P | Flange Bearing, 5/8 |
| 16 | 941-0475 | 1 | /P | Plastic Bushing, .380 ID |
| 17 | 747-04298 | 1 | | Steering Link |
| 18 | 948-0389 | 1 | /P | Cap, 1.25 x .16 |
| 19 | 748-04065-0637 | 1 | /P | Steering Block |
| 20 | 748-04068 | 1 | | Spacer, .71 x .125 x .56 |
| 21 | 750-04418 | 1 | | Spacer, .322 x .625 .21 |
| 22 | 783-04644 | 1 | S | Gear Segment Stabilizer Plater |
| 23 | 736-04228A | 1 | | Flat Washer, .781 x 1.590 |
| 24 | 634-04325-0911 | 1 | | Wheel Assembly, 42"/38" Grey |
| 24 | 734-04240A | 1 | | Tire Only, 15 x 6 x 6, Round Shld. Not shown |
| 24 | 634-04081 | 1 | S | Rim Assembly (Incl. bearings & valve stem) Not shown |
| 24 | 741-0516B | 1 | /P | Flange Bearing, Not shown |
| 24 | 741-0990B | 1 | /P | Flange Bearing, w/grease fitting Not shown |
| 24 | 734-0255 | 1 | S | Valve, Air Not shown |
| 25 | 714-04039 | 1 | | Cotter Pin, 5/32 x 1.25 |
| 26 | 710-04484 | 1 | | Screw, 5/16-18 x .750 |
| 27 | 712-04065 | 1 | /P | Flangelock Nut, 3/8-16 |
| 28 | 914-0474 | 1 | /P | Cotter Pin, .125 x .75 |
| 29 | 683-0128B-0638 | 1 | | Pivot Axle - Red |
| 30 | 726-04035 | 1 | | Push Nut, 3/4 |
| 31 | 731-04693 | 1 | | Hub Cap |
| 32 | 936-0316 | 1 | /P | Flat Washer, .78 x 1.59 x .060 |
| 33 | 748-04068 | 1 | | Spacer, .71 x .125 x .56 |
| 34 | 738-04128 | 1 | | Shoulder Bolt, 3/8-16 x .500 x 2.38 |
| 35 | 747-04299A | 1 | /P | Fixed Rod |
| 36 | 783-05326-0637 | 1 | /P | Pivot Bar Bracket |
| 36 | 783-04601C-0637 | 1 | | Pivot Bar Bracket |
| 37 | 726-0341 | 1 | /P | Push Cap, 3/4 |
| 38 | 731-04057A | 1 | | Standard Axle Cap |
| 39 | 741-0660A | 1 | /P | Flange Bearing, .760 x .941 x 1.0 |
| 40 | 631-04028 | 1 | | Steering Wheel |
| 41 | 931-0484A | 1 | /P | Hub Cap |
| 42 | 731-04681 | 1 | | Cap, Troy-Bilt |
| 43 | 783-04568-0637 | 1 | | Front Deck Hanger Bracket |