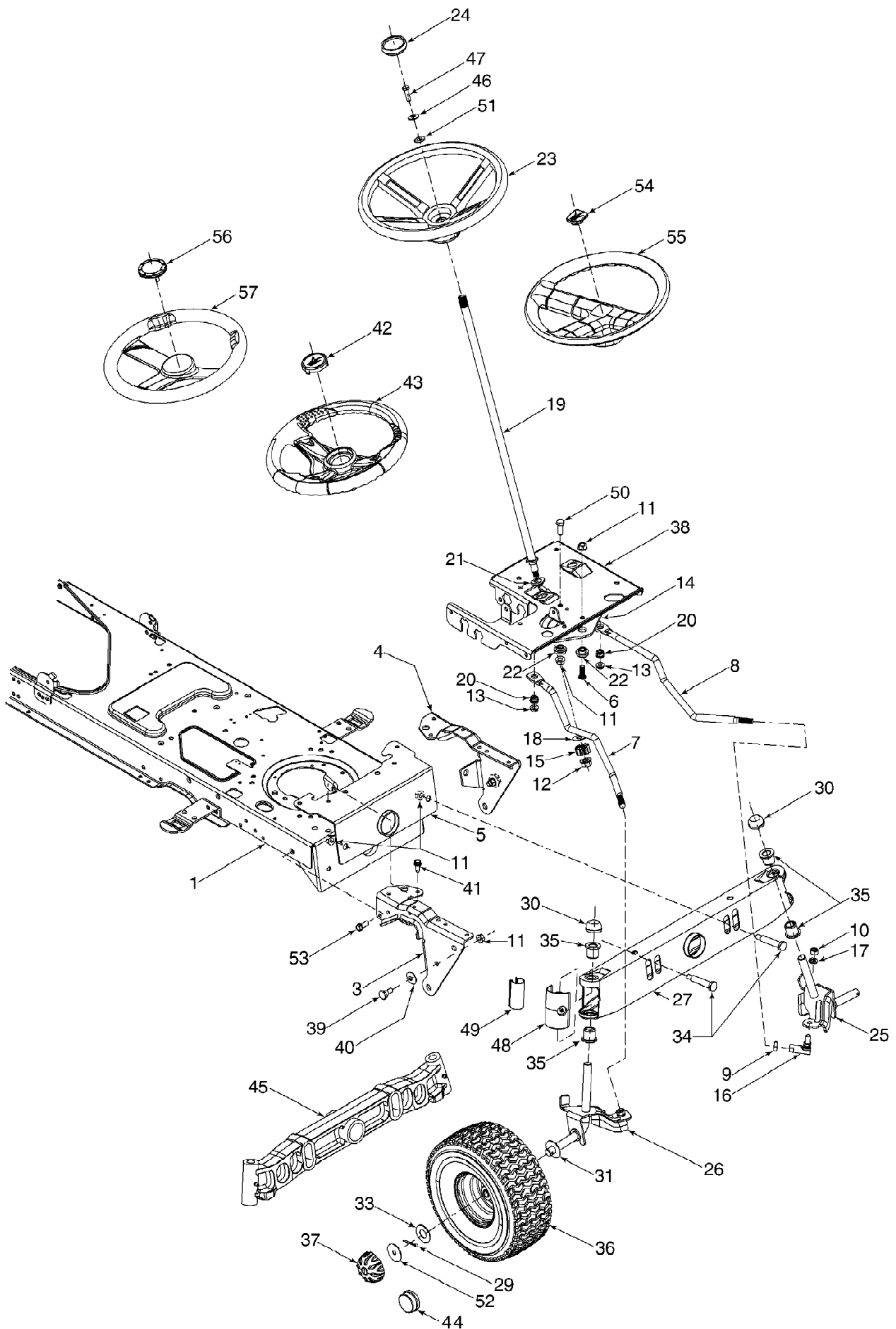


13CX609G063 18HP Lawn Tractor (2002)
42 Inch Deck

Page 2 of 20

Ref #	Part Number	Qty	S/P/F	Description
1	16606	1	S	Bracket: Retainer Hook
2	618-0565	1	S	Spindle Assembly: Pulley
3	683-0198E	1	S	Deck Assembly
4	683-0254	1	S	Deck Hanger Bracket LH
5	683-0440	1		Brake Assembly: deck
6	710-0520	1	/P	Hex Screw 3/8-16 x 1.5
7	710-0528	1	/P	Hex Screw 5/16-18 x 1.25
8	710-0604A	1	/P	TT Screw 5/16-18 x 0.625
9	710-0650	1	/P	TT Screw 5/16-18 x 0.875
10	710-0751	1	/P	Hex Screw 1/4-20 x 0.620
11	710-1238	1	/P	Hex Washer Head Screw
12	710-1830	1		TT Screw 1/4-20 x 4.0
13	710-3151	1	/P	Hex Screw 5/8-18 x 4.25
14	710-3180	1	/P	Hex Screw 5/16-18 x 1.75
15	711-1534	1		Pin
16	712-0337	1		Hex Nut 5/8-18
17	712-0417A	1	/P	Flange Nut 5/8-18
18	712-0431	1	S	Flange Lock Nut
19	712-3004A	1	/P	Flange Lock Nut
20	712-3006	1	/P	Hex Nut 1/4-20
21	712-3010	1	S	Hex Nut 5/16-18
22	712-3027	1	S	Lock Nut 1/4-20
23	714-0470	1	S	Cotter Pin
24	716-3020	1	S	Snap Ring
25	717-1553A	1	S	Gear: Deck Adjustment
26	726-0233	1	/P	Push Nut
27	731-2486	1	S	Belt Cover
28	732-0306	1	S	Compression Spring
29	732-0470A	1	S	Extension Spring
30	732-1165	1	S	Extension Spring
31	734-0973	1	/P	Deck Wheel
32	736-0105	1	/P	Bell Washer
33	736-0119	1	S	Lock Washer
34	736-0140	1	S	Flat Washer
35	736-0158	1	S	Lock Washer
36	736-0162	1	/P	Flat Washer
37	736-0270	1	/P	Bell Washer
38	738-0373	1	S	Sholder Spacer
39	741-0524	1	S	Bearing
40	742-0616	1	S	Blade
41	746-0970	1		Brake Cable
42	747-1116	1	/P	Deck Release Rod
43	748-0331	1	S	Shoulder Spacer
44	750-0932A	1	S	Spacer
45	754-0497	1	S	V-Belt
46	754-0498	1	S	V-Belt
47	756-0627B	1	S	Idler Pulley
48	756-1202	1		Double Pulley
49	N/A	1		Chute Stop
50	783-1291	1	S	Idler Bracket
51	712-3087	1	/P	Wing Nut
52	710-0134	1	/P	Carriage Screw
53	731-2363	1	/P	Mulch Plug

13CX609G063 18HP Lawn Tractor (2002)
Axle, Front Wheels, Steering



13CX609G063 18HP Lawn Tractor (2002)
Axle, Front Wheels, Steering

Page 4 of 20

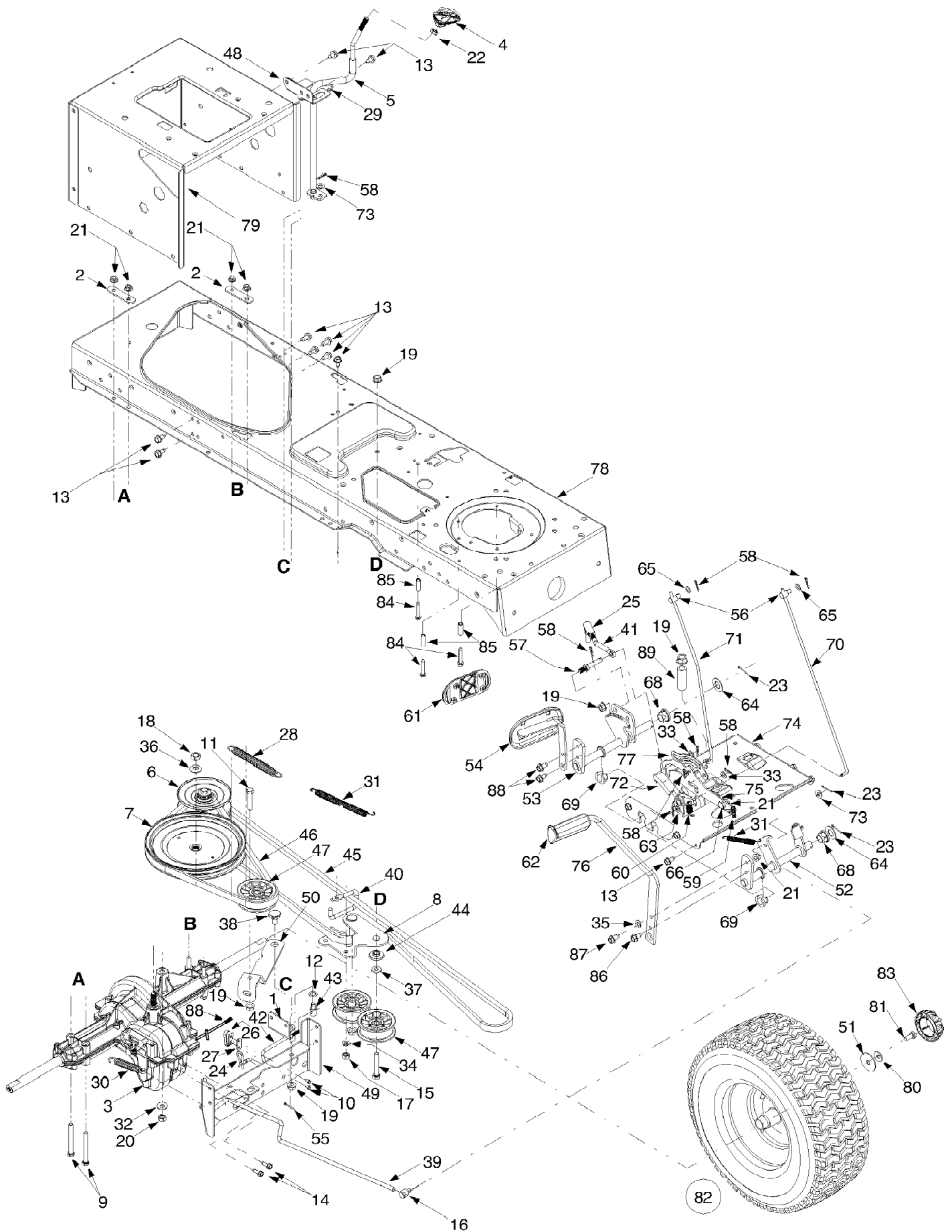
Ref #	Part Number	Qty	S/P/F	Description
2	710-0604A	1	/P	Self-tapping Screw, 16-18 x .625
3	783-0726B	1	S	RH Pivot Support Bracket
4	783-0727A	1	S	LH Pivot Support Bracket
5	783-0728	1		Pivot Bar Bracket
6	710-04095	1		Hex Cap Screw, 3/8-16 x 1.0
7	711-1408	1		RH Drag Link
8	711-1409A	1	/P	LH Drag Link
9	712-0240	1	S	Jam Nut, 7/16-20 (Grade 2)
10	712-0241	1	/P	Hex Nut, 3/8-24 (Grade 2)
11	712-0431	1	S	Flange Lock Nut, 3/8-16
12	712-0459	1	/P	Flange Lock Nut, 7/16-20
13	712-3004A	1	/P	Flange Lock Nut, 5/16-18
14	717-1550D	1	S	Steering Gear, 11/90 Ratio
15	717-1554	1		Steering Pinion Gear
16	723-0448A	1	S	Ball Joint, 7/16-20
17	736-0169	1	S	Lock Washer, 3/8
18	736-3084	1	/P	Flat Washer, .51 x 1.12 x .06
19	738-1001A	1	/P	Steering Shaft, .625 OD x 24.4
20	741-0475	1	S	Plastic Bushing, .38 ID
21	741-0656	1	S	Hex Flange Bearing, 5/8
22	738-0372B	1	/P	Shoulder Spacer, .38 ID
23	631-0027	1	S	Standard Steering Wheel, 13.25
24	731-0220	1	S	Steering Wheel Cap, Round
25	638-0019A	1	S	LH Axle Assembly, .625 Diameter Models equipped with a 42-inch deck.
25	638-0021	1	S	LH Axle Assembly, .625/.750 Diameter Models equipped with a 46-inch deck.
26	638-0020A	1	S	RH Axle Assembly, .625 Diameter Models equipped with a 42-inch deck.
26	638-0022	1	S	RH Axle Assembly, .625/.750 Diameter Models equipped with a 46-inch deck.
27	683-0128A	1	S	Steel Pivot Bar
29	714-0470	1	S	Cotter Pin
30	726-0214	1	/P	Push Cap, .625 Models equipped with a 42-inch deck.
30	726-0341	1	/P	Push Cap, .75 Models equipped with a 46-inch deck.
33	736-0285	1	/P	Flat Washer, .635 x 1.589 x .06
34	738-1011	1	S	Shoulder Screw, .5 x 2.2, 3/8-16
35	741-0659	1	S	Flange Bearing, .632 ID x .937 OD Models equipped with a 42-inch deck.
35	741-0660	1	S	Flange Bearing, .76 ID x .937 OD Models equipped with a 46-inch deck.
36	634-0105A	1	S	Wheel Assembly, 15 x 6 x 6 Square Shoulder
36	634-0056A	1	S	Wheel Assembly, 15 x 6 x 6 Round Shoulder
36	634-0172	1		Rim Assembly Only
36	734-0255	1	S	Air Valve (Not Shown)
36	734-1731	1		Tire Only, Square Shoulder

13CX609G063 18HP Lawn Tractor (2002)
Axle, Front Wheels, Steering

Page 5 of 20

Ref #	Part Number	Qty	S/P/F	Description
36	734-0864	1	/P	Tire Only, Round Shoulder
37	731-2290A	1	/P	Deluxe Hub Cap (Ref. 33 Required)
38	783-0653F	1	S	Steering Support Bracket
39	738-0143	1	/P	Shoulder Screw, 3/8-16
40	736-0331	1	/P	Bell Washer, .39 x 1.13 x .062
41	710-1260A	1	/P	Self-tapping Screw, 5/16-18 x .75
42	731-04040	1		Deluxe Steering Wheel
43	634-04008	1		Steering Wheel, Soft Grip
44	731-0484A	1	S	Standard Hub Cap (Ref. 33 Not Necessary)
45	719-0399B	1	/P	Cast Iron Pivot Bar Models equipped with a 42-inch deck.
45	719-0525B	1	S	Cast Iron Pivot Bar Models equipped with a 46-inch deck.
46	736-0242	1	/P	Bell Washer, .34 x .872
47	710-0643	1	/P	Hex Bolt, 5/16-18 x 1.0
48	731-1291A	1	S	Pivot Bar End Cap w/ Fitting
49	731-1649	1		Pivot Bar End Cap w/o Fitting
50	710-0514	1	/P	Hex Screw, 3/8-16 x 1.0
51	736-3004	1	S	Flat Washer, .406 x .875 x .105
52	736-0430	1	/P	Flat Washer, .35 x 1.59 x .062
53	710-1238	1	/P	Screw, Hex Washer, 5/16-18 x .87
54	731-1459A	1	/P	Steering Wheel Cap
55	731-1687	1	S	Steering Wheel
56	731-2625	1		Steering Wheel Cap
57	731-2624	1		Steering Wheel, Soft Grip

13CX609G063 18HP Lawn Tractor (2002)
Drive, Rear Wheels, Frame



13CX609G063 18HP Lawn Tractor (2002)
Drive, Rear Wheels, Frame

Page 7 of 20

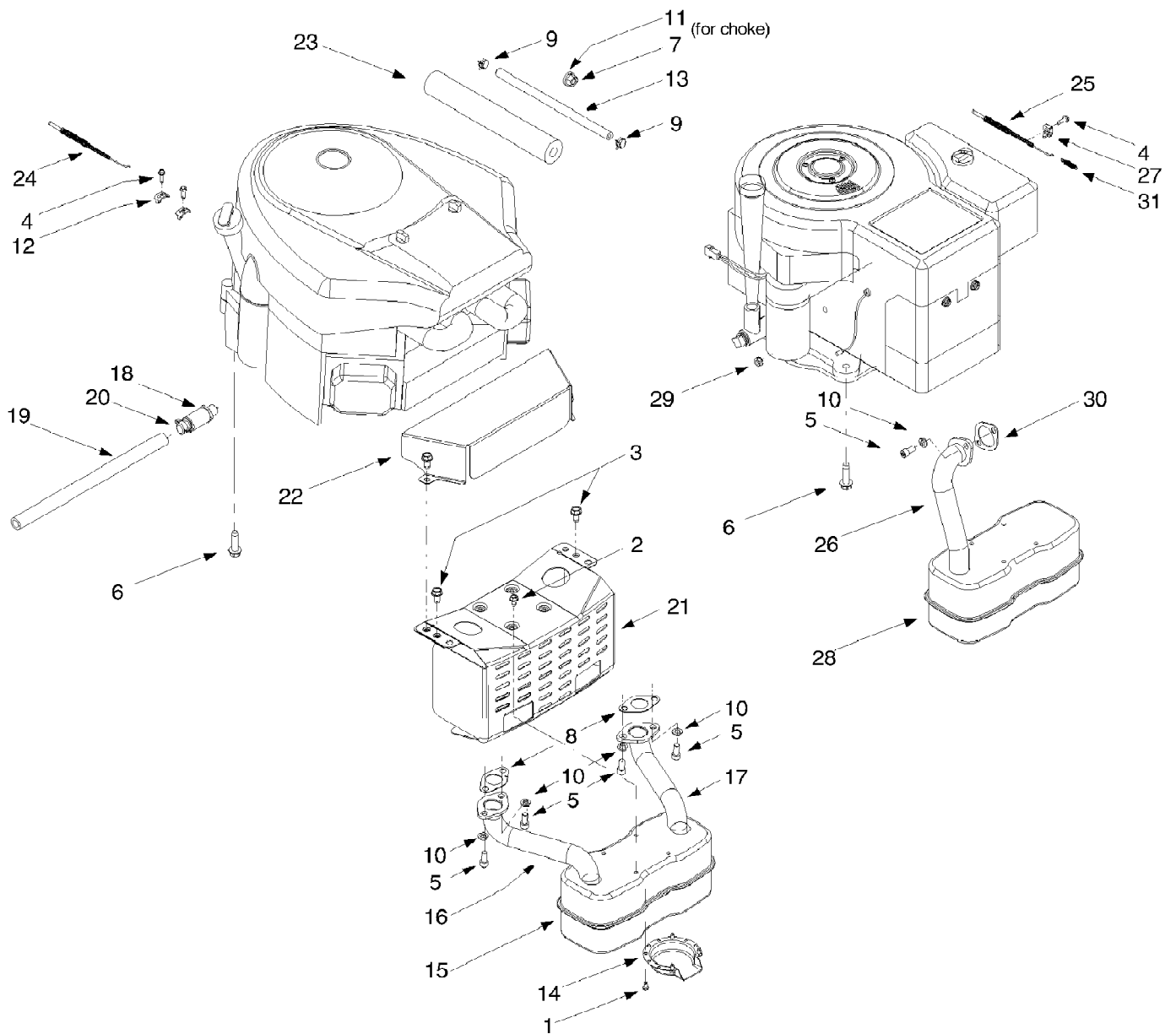
Ref #	Part Number	Qty	S/P/F	Description
1	783-1015	1	S	Shift Lever Support
2	17840	1	S	Transaxle Mounting Bracket
3	618-0551	1	S	Single-speed Transmission Assembly
4	631-0009	1	S	Shifter Knob
5	647-0045	1		Shift Lever
6	656-0048	1	S	Variable-speed Pulley Assembly
7	656-0051A	1	/P	Transmission Pulley, 8.5 x .5-36
8	683-0251	1		Double-idler Bracket
9	710-0176	1	/P	Hex Cap Screw, 5/16-18 x 2.75
10	710-0227	1	/P	Self-tapping Screw, #8-18 x .5
11	710-0347	1	/P	Hex Cap Screw, 3/8-16 x 1.75
12	736-0272	1	S	Flat Washer, .51 x 1.0 x .060
13	710-0604A	1	/P	Self-tapping Screw, 5/16-18 x .625
14	710-0642	1	/P	Self-tapping Screw, 1/4-20 x .75
15	710-3011	1	/P	Hex Cap Screw, 3/8-16 x 2.25
16	711-0677	1	S	Ferrule, 5/16-18
17	712-0241	1	/P	Hex Nut, 3/8-24
18	712-0378	1	/P	Hex Nut, 7/16-20
19	712-0431	1	S	Flange Lock Nut, 3/8-16
20	712-3017	1	S	Hex Nut, 3/8-16
21	712-3004A	1	/P	Flange Lock Nut, 5/16-18
22	712-3008	1	S	Jam Nut, 3/8-16
23	714-0111	1	S	Cotter Pin
24	714-0149B	1	S	Internal Cotter Pin
25	723-3018	1	S	Ball Joint
26	725-1644	1		Short Spring Switch
27	726-0320	1	S	Insulator Nut Plate
28	732-0384	1	S	Extension Spring, .62 Dia. x 6.12
29	732-0525	1		Compression Spring Clip
30	732-0716	1	S	Extension Spring, .59 OD x 4
31	732-0963	1		Extension Spring, .50 Dia. x 6.37 (hooks to flange, 783-0650, in frame)
32	736-0105	1	/P	Bell Washer, .401 x .87 x .063
33	736-0140	1	S	Flat Washer, .385 x .62 x .063
34	736-0169	1	S	Lock Washer, 3/8
35	736-3008	1	S	Flat Washer, .344 x .750 x .120
36	736-0407	1		Bell Washer, .45 x 1.0 x .602
37	736-3010	1		Flat Washer, .407 x .812 x .135
38	738-0322	1	S	Shoulder Screw, .625 x .217
39	747-1122	1		Brake Rod
40	747-1123A	1	/P	Belt Guard
41	747-1127	1		Idler Adjustment Rod, 3/8
42	747-1285	1		Shift Rod
43	711-0736	1	/P	Adjustment Ferrule, 1/4-20 x 1.0
44	738-0372B	1	/P	Shoulder Spacer, .38 ID
45	754-0467	1	S	Lower Drive Belt
46	754-0468	1	S	Upper Drive Belt
47	756-0981	1	S	Flat Idler, 2.75 OD
48	783-1016B	1	/P	Speed Control Rod Bracket
49	783-0667B	1		Transmission Torque Bracket
50	783-0669	1	S	Idler Bracket
51	736-0430	1	/P	Flat Washer, .350 x 1.59 x .062
52	647-0031	1	S	Brake Control Assembly

13CX609G063 18HP Lawn Tractor (2002)
Drive, Rear Wheels, Frame

Page 8 of 20

Ref #	Part Number	Qty	S/P/F	Description
53	647-0032	1	S	Speed Control Assembly
54	683-0266	1		Drive Pedal Assembly
55	714-0470	1	S	Cotter Pin, 1/8 x 1.25
56	711-0736	1	/P	Ferrule, 1/4-20
57	711-1363	1		Pin, 3/8-16 x 2.43
58	714-0104	1	S	Cotter Pin
59	732-0437	1		Compression Spring, .34 OD x 1.0
60	732-0955	1		Extension Spring, .50 OD x 1.41
61	735-0662	1		Drive Pedal Pad
62	735-3049	1	S	Brake Pedal Pad
63	736-0142	1	S	Flat Washer, .281 x .5 x .063
64	736-0187	1	/P	Flat Washer, .64 x 1.24 x .06
65	736-0204	1	/P	Flat Washer, .344 x .062 x .03
66	738-0155	1	S	Shoulder Screw, .437 x 1.62
?67	738-0507B	1	S	Shoulder Screw, .5 x .434
68	741-0225	1	S	Hex Flange Bearing
69	741-3065A	1	S	Split Hex Flange Bearing
70	747-1137	1		Cruise Control Rod
71	747-1138	1		Brake Lock Control Rod
72	748-0413	1		Cruise Latch
73	736-0275	1	S	Flat Washer, .344 x .688 x .065
74	783-0653D	1	S	Steering Support Bracket
75	783-0732	1	S	Drive Lock-out Bracket
76	783-0773	1		Brake Pedal
77	783-0780A	1	S	Neutral Return Bracket
78	683-0304	1	S	Lower Frame Assembly
79	783-1031A	1		Hitch Plate
80	736-0242	1	/P	Bell Washer, .34 x .872
81	710-0627	1	/P	Hex Cap Screw, 5/16-24 x .75
82	634-0105A	1	S	Wheel Assembly (Model D609G)
82	634-0177	1	/P	Wheel Assembly (Model U609H)
82	634-0070	1	/P	Rim Only Not Shown
82	734-0255	1	S	Air Valve Not Shown
82	734-1730	1		Tire Only, 20 x 8 x 8, Square Shoulder Not Shown
83	731-2290A	1	/P	Hub Cap
84	710-0809	1		Self-tapping Screw, 1/4-20 x 1.25
85	750-0556	1		Spacer
86	710-0650	1	/P	Self-tapping Screw, 5/16-18 x .875
87	710-1260A	1	/P	Self-tapping Screw, 5/16-18 x .75
88	747-1285	1		Shift Rod
89	748-0415B	1	/P	Spacer

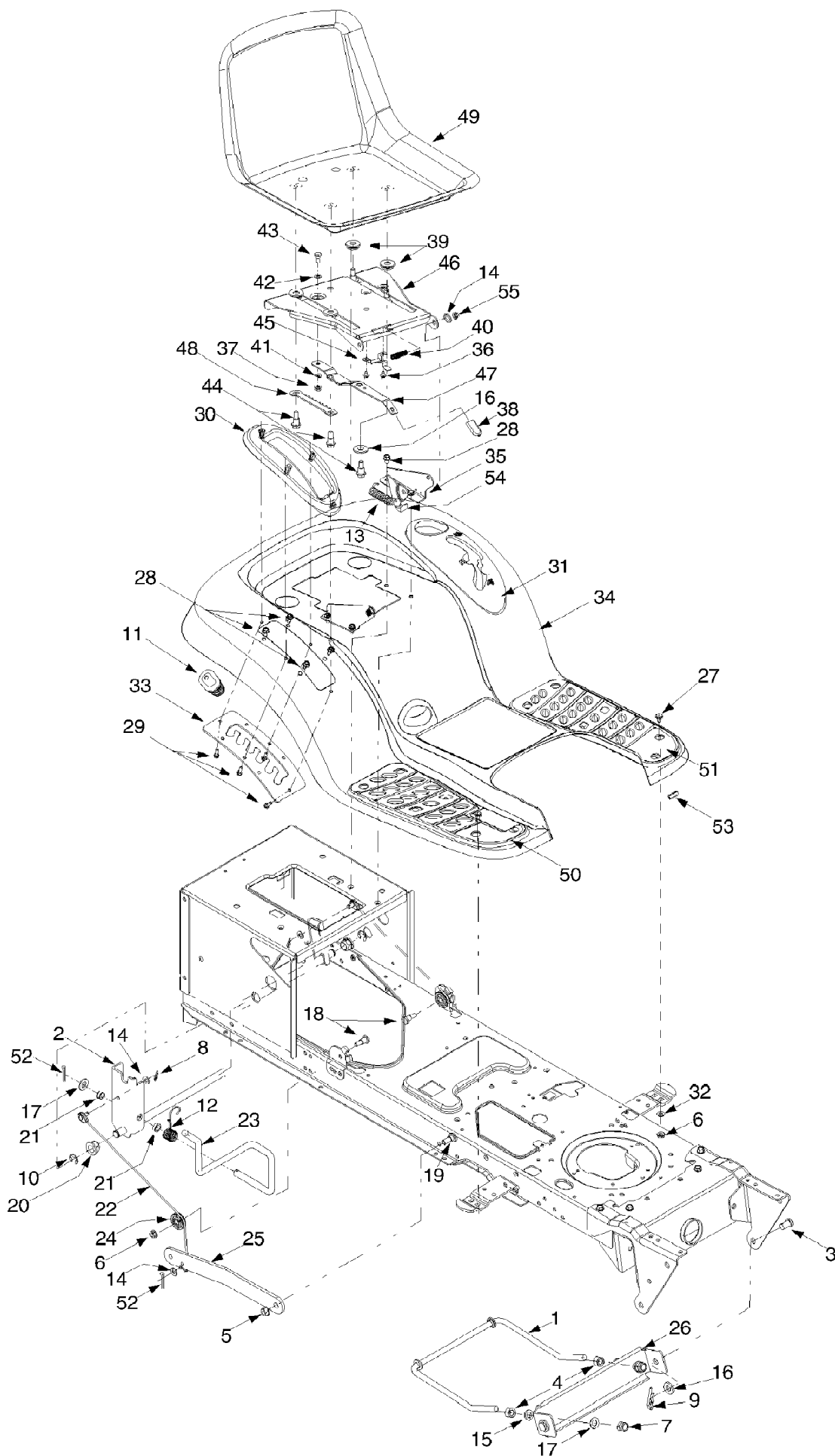
13CX609G063 18HP Lawn Tractor (2002)
Engine Accessories



NOTE: Engine accessory parts are applicable to all models except otherwise noted.

Ref #	Part Number	Qty	S/P/F	Description
1	710-0227	1	/P	Self-tapping Screw, #8-18 x .5
2	710-0599	1	/P	Self-tapping Screw, 1/4-20 x .5
3	710-0604A	1	/P	Self-tapping Screw, 5/16-18 x .625
4	710-1237	1		Screw, #10-32 x .625
5	710-1314A	1	/P	Socket Cap Screw, 5/16-18 x .625
6	710-1315	1	/P	Self-tapping Screw, 3/8-16 x 1.25
7	712-3017	1	S	Hex Nut, 3/8-16 (Model G609G)
8	721-0460	1		Exhaust Gasket (Model G609G)
9	726-0205	1	/P	Hose Clamp
10	736-0119	1	S	Lock Washer, 5/16
11	736-0300	1	S	Flat Washer (Model G609G)
12	751B221535	1	/P	Casing Clamp (Model G609G)
13	751-0535	1		Fuel Line Hose
14	751-0564	1	S	Muffler Deflector
15	751-0616	1	S	Muffler, Twin Inlet (Model G609G)
16	751-0650	1	S	RH Exhaust Pipe (Model G609G)
17	751-0651	1	S	LH Exhaust Pipe (Model G609G)
18	751-3140	1	S	Oil Drain Valve
19	751-3141	1	S	Oil Drain Hose
20	751-3142	1		Oil Drain Cap
21	783-0615B	1	S	Muffler Heat Shield
22	783-0625C	1	/P	Engine Heat Shield (Model G609G)
23	722-0263	1	S	Foam (fits over fuel line)
24	746-1086	1	S	Throttle Cable (Model G609G)
25	746-1084	1	S	Throttle Cable (Model D609G)
26	751-0619	1	S	Exhaust Pipe (Model D609G)
27	751B213146	1	/P	Casing Clamp (Model D609G)
28	751-0617	1	S	Muffler, Single Inlet (Model D609G)
29	712-0271	1	/P	Hex Sems Nut, 1/4-20 (for starter cable)
30	721-0208	1	S	Exhaust Gasket (Model D609G)
31		1		UNKNOWN

13CX609G063 18HP Lawn Tractor (2002)
Frame & Seat



13CX609G063 18HP Lawn Tractor (2002)
Frame & Seat

Page 12 of 20

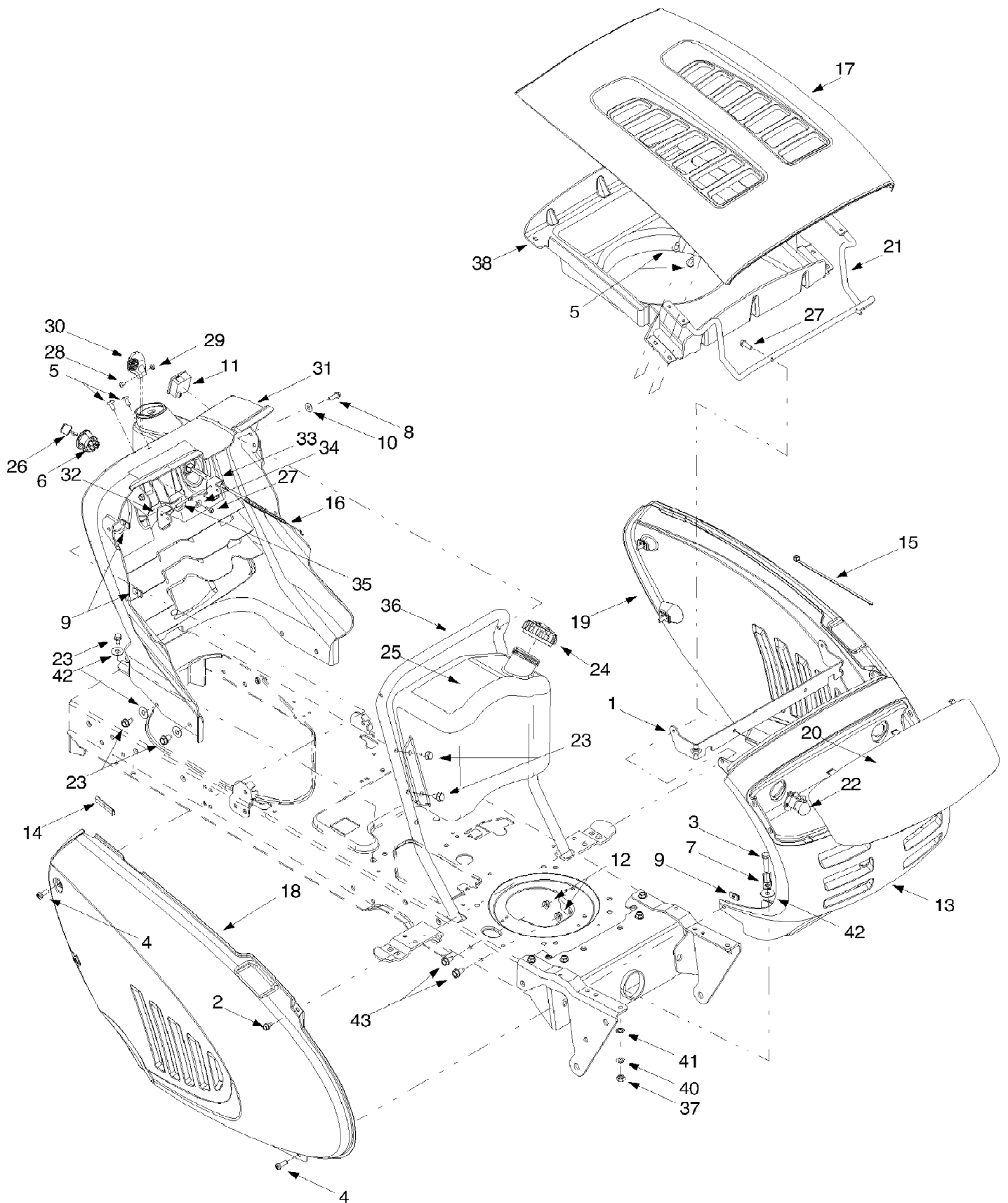
Ref #	Part Number	Qty	S/P/F	Description
1	747-1130A	1	S	Deck Stabilizer Rod
2	683-0197	1	S	Lift Shaft Assembly
3	711-0332	1	S	Clevis Pin, .5 x .78
4	712-0206	1	S	Hex Nut, 1/2-13
5	712-0431	1	S	Flange Lock Nut, 3/8-16
6	712-3004A	1	/P	Flange Lock Nut, 5/16-18
7	712-3083	1	/P	Hex Nut, 1/2-13
8	714-0104	1	S	Internal Cotter Pin
9	714-0145	1	S	Internal Cotter Pin
10	716-0106	1	/P	E-ring
11	720-0311	1		Handle Grip
12	732-0874	1	/P	Torsion Spring
13	732-1184	1	/P	Extension Spring, .872 x 3.4
14	736-0275	1	S	Flat Washer, 5/16
15	736-0921	1	S	Lock Washer, 1/2
16	736-3019	1		Flat Washer, .31 x 1.062 x .134
17	736-3084	1	/P	Flat Washer, .51 x 1.12 x .06
18	738-0138A	1	/P	Hex Cap Screw, 5/16-18 x .62
19	738-0143	1	/P	Shoulder Screw, 3/8-16
20	741-0225	1	S	Hex Flange Bearing
21	741-0715	1	S	Snap Flange Bearing
22	746-0968	1		Lift Cable, 16.16
23	747-1111	1	S	Lift Handle
24	756-1154	1		Roller Pulley
25	783-0678A	1	S	Arm Lift
26	783-0720A	1	S	Deck Stabilizer Bracket
27	710-0260A	1	/P	Carriage Bolt, 5/16 x .62
28	710-0604A	1	/P	Self-tapping Screw, 5/16-18 x .625
29	710-0895	1		Self-tapping Screw, 1/4-15 x .75
30	731-1990	1		Lift Lever Cover
31	731-2104B	1	S	Shift Lever Cover w/ Cup Holder
32	736-3078	1	/P	Flat Washer, .349 x 1.0 x .063
33	783-0677	1	S	Lift Adjustment Bracket
34	783-0685B	1	S	Fender
35	783-1489	1	S	Seat Mounting Bracket
36	710-1268	1	/P	Screw, #10-16 x .375
37	712-3027	1	S	Hex Flange Lock Nut, 1/4-20
38	720-0309A	1	/P	Seat Adjuster Grip
39	731-1989	1		Spacer
40	732-0499	1		Compression Spring, .41 x 1.5
41	736-0175	1	S	Spring Washer, .265 x .562 x .025
42	736-0204	1	/P	Flat Washer, .344 x .62 x .03
43	738-0137A	1	S	Shoulder Screw, .340 x .285, 1/4-20
44	738-1007	1		Shoulder Screw, .50 x .50, 3/8-16
45	783-0611	1		Seat Stop
46	783-0738	1	S	Seat Pivot Bracket
47	783-0739	1		Seat Adjustment Lever
48	783-0753	1		Seat Adjustment Selector
49	757-0348A	1	/P	High Back Seat, Black
50	735-0656	1		RH Foot Pad
51	735-0657	1		LH Foot Pad
	726-3046	1	/P	Foot Pad Clips (Not Shown)
52	714-0111	1	S	Cotter Pin

13CX609G063 18HP Lawn Tractor (2002)
Frame & Seat

Page 13 of 20

Ref #	Part Number	Qty	S/P/F	Description
53	731-0511	1	/P	Trim Strip
54	783-0209A	1	S	Seat Lift Bracket
55	726-0201	1		Speed Nut

13CX609G063 18HP Lawn Tractor (2002)
Hood & Fuel Tank

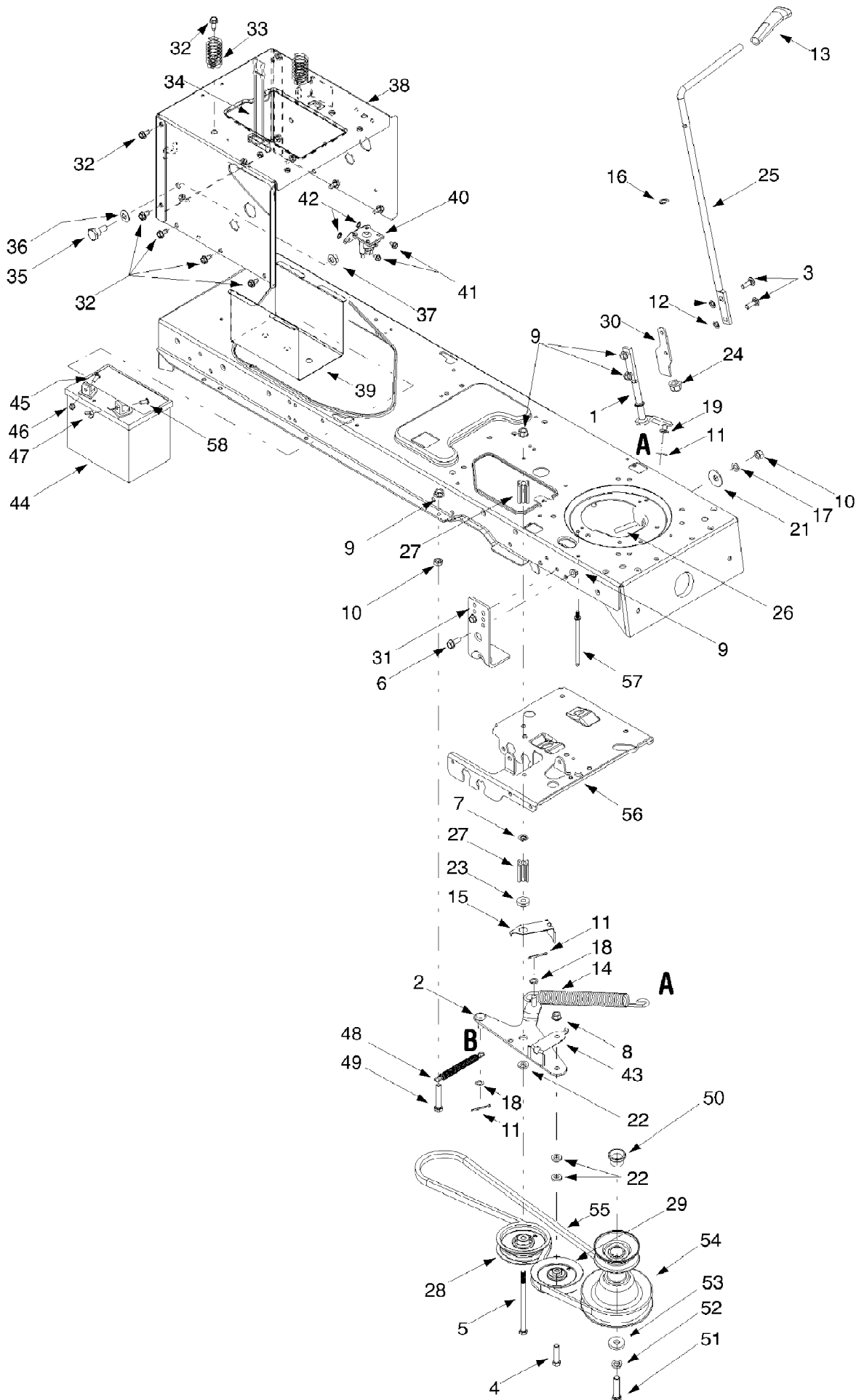


13CX609G063 18HP Lawn Tractor (2002)
Hood & Fuel Tank

Page 15 of 20

Ref #	Part Number	Qty	S/P/F	Description
1	783-1346	1	S	Grill Support Bracket (9-style)
2	710-0599	1	/P	Self-tapping Screw, 1/4-20 x .5
3	710-0528	1	/P	Hex Cap Screw, 5/16-18 x 1.25
4	710-0924	1	/P	Phillips Pan Screw, 1/4-20 x .75
5	710-1017	1	/P	Truss Phillips Screw, 1/4-20 x .625
6	725-1741	1	S	Ignition Switch
7	726-0272	1	/P	Clamp, 9/16
8	710-0642	1	/P	Self-tapping Screw, 1/4-20 x .75
9	712-0292	1	/P	U-type Speed Nut, 1/4-20
10	736-0270	1	/P	Bell Washer, .265 x .75 x .062
11	725-1976	1	S	Systems Indicator Monitor
12	712-3004A	1	/P	Hex Nut, 5/16-18
13	731-2119A	1	S	Grille (9-style)
14	731-0511	1	/P	Trim Strip, 4
15	725-0175	1		Cable Tie, 3/16 x .05 x 7.4
16	746-1085	1	S	Choke Knob/Cable (Model G609G)
17	783-0783	1	S	Hood (9-style)
18	783-0784	1		RH Side Panel (9-style)
19	783-0785	1		LH Side Panel (9-style)
20	731-2637	1	S	Headlight Lens (9-style)
21	747-1162A	1	S	Hood Hinge Rod
22	625-0051	1	S	Headlight Assembly
23	710-0604A	1	/P	Self-tapping Screw, 5/16-18 x .625
24	751-0603	1	S	Fuel Cap
25	751-0658C	1	S	Fuel Tank, Three-gallon
	751-0659A	1	S	Fuel Tank, Two-gallon (Model D609G)
26	725-1745	1	S	Ignition Key w/ plastic cover
	725-1744	1	S	Ignition Key w/o plastic cover
27	710-0895	1		Self-tapping Screw, 1/4-15 x .75
28	710-3217	1	/P	Truss Phillips Screw, #8-32 x .375
29	712-0142	1	/P	Hex Nut, #8-32
30	731-1857	1		Throttle Control Knob
31	731-2122C	1	/P	Dash Panel, 8/9-style, Manual PTO
32	731-2226	1		Cruise Control Button
33	731-2227	1		Parking Brake Button
34	736-0142	1	S	Flat Washer, 9/32 x 1/2 x 1/16
35	747-1196	1		Brake/Cruise Pivot Rod
36	749-1087A	1	S	Dash Support Tube
37	712-3010	1	S	Hex Nut, 5/16-18
38	731-2270	1	S	Hood Plenum (Model G609G)
		1		Hood Plenum (Model D609G)
?39	726-3046	1	/P	Ratchet Clip
40	736-0119	1	S	Lock Washer, 5/16
41	726-0201	1		Speed Nut, .3125
42	736-3078	1	/P	Flat Washer, .349 x 1.0 x .063
43	710-1238	1	/P	Screw, 5/16-18 x .875 (Grade 5)
	629-0469A	1	S	Headlight Wire Harness (Not Shown)
	629-1071	1	S	Tractor Wire Harness (Not Shown)

13CX609G063 18HP Lawn Tractor (2002)
PTO, Battery, Frame



13CX609G063 18HP Lawn Tractor (2002)
PTO, Battery, Frame

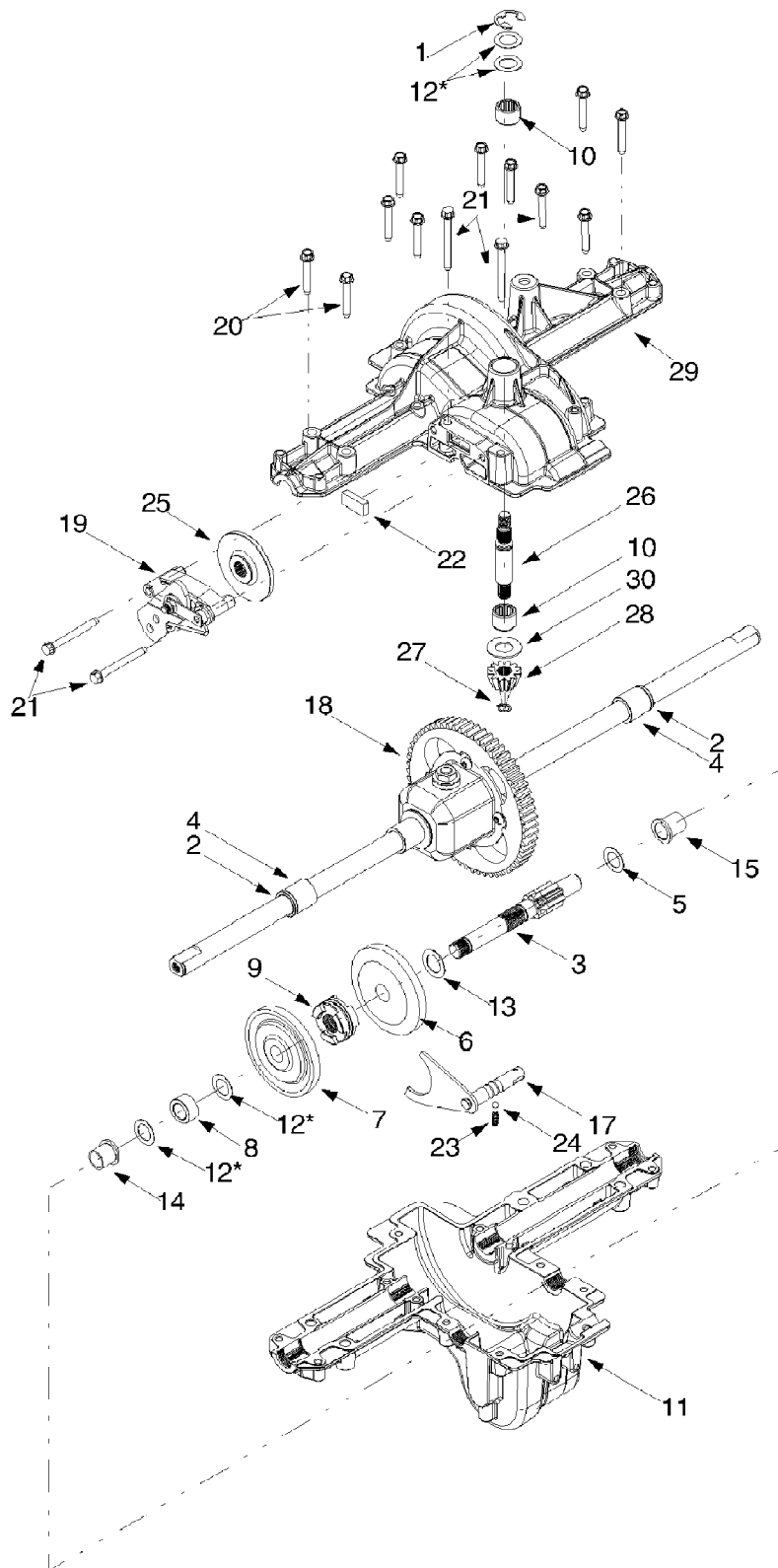
Page 17 of 20

Ref #	Part Number	Qty	S/P/F	Description
1	647-0064	1	/P	PTO Engage Lever Assembly
2	683-0450	1	/P	PTO Engage Plate Assembly
3	710-0276	1	/P	Carriage Screw, 5/16-18 x 1.00
4	710-0520	1	/P	Hex Cap Screw, 3/8-16 x 1.5
5	710-0831	1		Hex Cap Screw, 3/8-16 x 5.5
6	710-1238	1	/P	Hex Head Washer Screw, 5/16-18 x .875
7	712-0229	1		Push Nut, 3/8
8	712-0431	1	S	Flange Lock Nut, 3/8-16
9	712-3004A	1	/P	Flange Lock Nut, 5/16-18
10	712-3010	1	S	Hex Nut, 5/16-18
11	714-0470	1	S	Cotter Pin, 1/8 x 1.25
12	726-0201	1		Speed Nut, .3125
13	731-2111A	1	S	PTO Knob
14	732-1170	1		Extension Spring, .75 x 6.75
15	732-0991A	1	/P	Belt Guard
16	736-0108	1	S	Flat Washer, .510 x .750 x .033
17	736-0119	1	S	Lock Washer, 5/16
18	736-0140	1	S	Flat Washer, .385 x .62 x .063
19	736-0275	1	S	Flat Washer, 5/16
20	736-3000	1		Flat Washer, .406 x .875 x .059
21	736-0331	1	/P	Bell Washer, .39 x 1.13 x .062
22	736-3039	1	S	Flat Washer, .407 x .812 x .135
23	738-0372B	1	/P	Shoulder Spacer, .380
24	741-0708	1		Hex Split Flange Bearing
25	747-1112D	1	S	PTO Engagement Handle
26	747-1286A	1	/P	Belt Keeper Rod
27	748-0415B	1	/P	Spacer, 3/8 x 1.54
28	756-0627B	1	S	Idler Pulley, 3.5
29	756-1208	1		Idler Pulley, 4.0
30	783-0744A	1		Engagement Stop
31	783-0891B	1		Deck Stop
32	710-0604A	1	/P	Self-tapping Screw, 5/16-18 x .625
33	732-3080A	1	/P	Compression Spring, 1.28 x 3.5
34	723-0444	1		Battery Strap
35	738-1020	1		Shoulder Screw, .625 x .5, 7/16-20
36	736-0407	1		Bell Washer, .45 x 1.0 x .062
37	712-0459	1	/P	Flange Lock Nut, 7/16-20
38	783-1031A	1		Hitch Plate
39	783-0349	1		Battery Tray
40	725-1426	1	S	Solenoid, 12-Volt, 100 Amp
41	710-0599	1	/P	Self-tapping Screw, 1/4-20 x .5
42	736-0222	1	S	Lock Washer, 1/4
43	683-0304	1	S	Lower Frame Assembly
44	725-1706	1	S	12-Volt Battery, 270 CCA
45	710-0703	1	/P	Carriage Screw 1/4-20 x 0.75
46	712-0271	1	/P	Hex Sems Nut, 1/4-20
47	712-3087	1	/P	Wing Nut, 1/4-20
48	732-1165	1	S	Extension Spring, .50 x 5.0
49	710-3180	1	/P	Hex Cap Screw, 5/16-18 x 1.75
50	750-0956	1		Spacer Cup
51	710-3029	1	/P	Hex Head Cap Screw, 7/16-20 x 1.25
52	736-0171	1	S	Lock Washer, 7/16
53	736-0322	1	/P	Flat Washer, .450 x 1.25

13CX609G063 18HP Lawn Tractor (2002)
PTO, Battery, Frame

Page 18 of 20

Ref #	Part Number	Qty	S/P/F	Description
54	756-0982B	1	/P	Engine Pulley, 3.56 OD x 5.56
55	754-0497	1	S	PTO Belt
56	783-0653D	1	S	Steering Support Bracket
57	711-1044	1	S	Keeper Pin, 5/16 x 4.75
58	738-1132	1		Shoulder Screw 1/4-20



*Use applicable flat washer (12a, 12b or 12c) in this application allowing proper end-play as instructed in Service Manual.

13CX609G063 18HP Lawn Tractor (2002)
Transmission

Page 20 of 20

Ref #	Part Number	Qty	S/P/F	Description
1	716-0231	1	S	E-Ring, .75
2	721-0338	1	S	Seal, .75 x 1.0 x .125
3	711-1431	1		Drive Shaft
4	741-0340	1	S	Sleeve Bearing, .75 x .1.0 x 1.0
5	736-0495	1	S	Thrust Washer, 1.0 x .632 x .0
6	717-1362	1	S	42-Tooth Bevel Gear
7	717-1363	1	S	42-Tooth Bevel Gear
8	750-1234	1		Spacer, .633 x 1.0 x .513
9	718-0228	1		Clutch Collar
10	741-0525	1	S	Needle Bearing, .625 x .875
11	719-0394	1		Lower Housing
12		1		UNKNOWN
?12A	736-0336	1	S	Flat Washer, 5/8 x 1.0 x .030
?12B	736-0337	1	S	Flat Washer, 5/8 x 1.0 x .040
?12C	736-0349	1	S	Flat Washer, 5/8 x 1.0 x .020
13	736-0519	1	S	Flat Washer, .70 x 1.125 x .031
14	741-0336	1	S	Flange Bearing, 5/8 x 3/4 x 3/4
15	741-0337	1	S	Flange Bearing, 5/8 x 3/4 x 15/16
?16	750-1238	1		Spacer, .635 x 1.0 x .27
17	611-0133	1		Detent Shaft Assembly
18	618-0424	1	S	Differential Assembly
19	661-0006	1	S	Brake Assembly
20	710-1325	1	/P	Self-tapping Screw, 1/4-20 x 1.625
21	710-1206	1	/P	Self-tapping Screw, 1/4-20 x 2.375
22	717-0678	1	S	Brake Pad
23	732-0863	1	S	Compression Spring
24	741-0862	1	/P	Detent Ball
25	761-0202	1		Brake Disc
26	711-1430	1		Input Shaft
27	716-0108	1	S	Retaining Ring, .437
28	717-1464	1		14-Tooth Bevel Pinion
29	719-0391A	1	S	Upper Housing
30	736-0723	1	S	Thrust Washer, .635 x 1.25 x .042