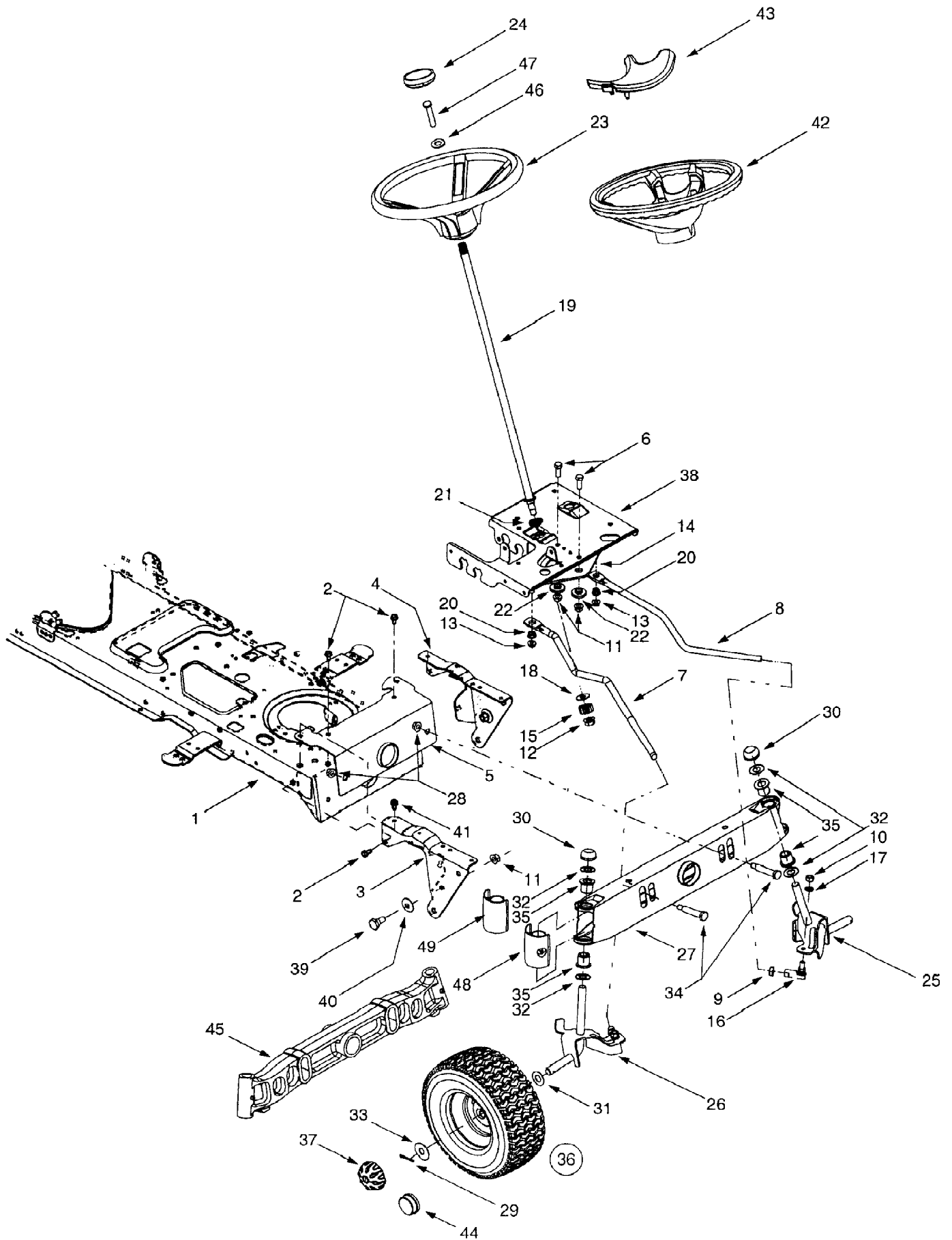


13CD609G063 (2001)
Axle & Wheels Front And Steering Assembly



13CD609G063 (2001)

Page 2 of 25

Axle & Wheels Front And Steering Assembly

Ref #	Part Number	Qty	S/P/F	Description
1	683-0304	1	S	Frame
2	710-0604A	1	/P	Self-tapping Screw, 16-18 x .625
3	783-0726A	1	S	RH Pivot Support Bracket
4	783-0727	1	S	LH Pivot Support Bracket
5	783-0728	1		Pivot Bar Bracket
6	710-0514	1	/P	Hex Cap Screw, 3/8-16 x 1 (Grade 5)
7	711-1408	1		RH Drag Link
8	711-1409A	1	/P	LH Drag Link
9	712-0240	1	S	Jam Nut, 7/16-20 (Grade 2)
10	712-0241	1	/P	Hex Nut, 3/8-24 (Grade 2)
11	712-0431	1	S	Flange Lock Nut, 3/8-16
12	712-0459	1	/P	Flange Lock Nut, 7/16-20
13	712-3004A	1	/P	Flange Lock Nut, 5/16-18
14	717-1550D	1	S	Steering Gear, 11/90 Ratio
15	717-1554	1		Steering Pinion Gear
16	723-0448A	1	S	Ball Joint, 7/16-20
17	736-0169	1	S	Lock Washer, 3/8
18	736-3084	1	/P	Flat Washer, .51 x 1.12 x .06
19	738-1001A	1	/P	Steering Shaft, .625 OD x 24.4
20	741-0475	1	S	Plastic Bushing, .38 ID
21	741-0656	1	S	Hex Flange Bearing, 5/8
22	738-0372A	1	S	Shoulder Spacer, .38 ID
23	631-0027	1	S	Standard Steering Wheel, 13.25
24	731-0220	1	S	Steering Wheel Cap, Round
25	638-0019	1	S	LH Axle Assembly, .625 Diameter, Models equipped with a 42" deck
25	638-0021	1	S	LH Axle Assembly, .625/.750 Diameter, Models equipped with a 46" deck
26	638-0020	1	S	RH Axle Assembly, .625 Diameter, Models equipped with a 42" deck
26	638-0022	1	S	RH Axle Assembly, .625/.750 Diameter, Models equipped with a 46" deck
27	683-0128A	1	S	Steel Pivot Bar
28	712-0431	1	S	Flange Lock Nut, 3/8-16
29	714-0470	1	S	Cotter Pin
30	926-0341	1	S	Push Cap, .750
30	726-0214	1	/P	Push Cap, .625
31	736-0162	1	/P	Flat Washer, .64 x 1.0 x .12
32	736-0187	1	/P	Flat Washer, .64 x 1.24 x .06, Models equipped with a 42" deck
32	736-0316	1	S	Flat Washer, .78 x 1.589 x .06, Models equipped with a 46" deck
33	736-0285	1	/P	Flat Washer, .635 x 1.589 x .06
34	738-1011	1	S	Shoulder Screw, .5 x 2.2, 3/8-16
35	741-0659	1	S	Flange Bearing, .632 ID x .937 OD, Models equipped with a 42" deck
35	741-0660	1	S	Flange Bearing, .76 ID x .937 OD, Models equipped with a 46" deck
36	634-0105A	1	S	Wheel Assembly, 15 x 6 x 6 Square Shoulder

13CD609G063 (2001)

Page 3 of 25

Axle & Wheels Front And Steering Assembly

Ref #	Part Number	Qty	S/P/F	Description
36	634-0056A	1	S	Wheel Assembly, 15 x 6 x 6 Round Shoulder
36	634-0172	1		Rim Assembly Only
36	734-0255	1	S	Air Valve (Not Shown)
36	734-1731	1		Tire Only, Square Shoulder
36	734-0864	1	/P	Tire Only, Round Shoulder
37	731-2290A	1	/P	Deluxe Hub Cap (Ref. 33 Required)
38	783-0653D	1	S	Steering Support Bracket
39	738-0143	1	/P	Shoulder Screw, 3/8-16
40	736-0331	1	/P	Bell Washer, .39 x 1.13 x .062
41	710-1260A	1	/P	Self-tapping Screw, 5/16-18 x .75
42	731-1869	1		Deluxe Steering Wheel
43	731-1904	1	/P	Steering Wheel Cap, w/ Icon
44	731-0484A	1	S	Standard Hub Cap (Ref. 33 Not Necessary)
45	719-0399B	1	/P	Cast Iron Pivot Bar Models equipped with a 42" deck
45	719-0525B	1	S	Cast Iron Pivot Bar Models equipped with a 46" deck
46	736-0242	1	/P	Bell Washer, .34 x .872
47	710-0643	1	/P	Hex Bolt, 5/16-18 X 1
48	731-1291A	1	S	Pivot Bar End Cap w/ Fitting
49	731-1649	1		Pivot Bar End Cap w/o Fitting

13CD609G063 (2001)
Deck Assembly G

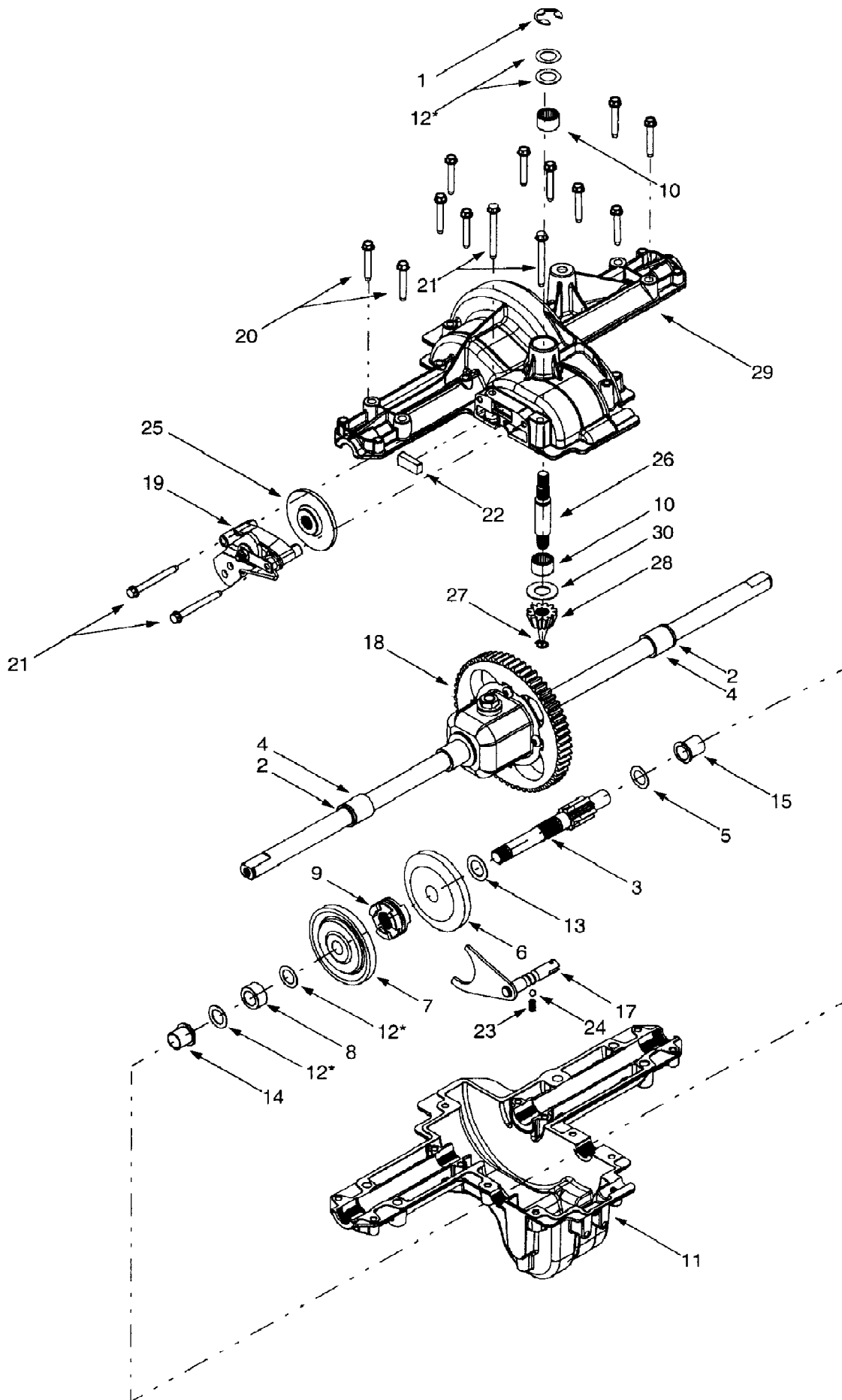
Page 5 of 25

Ref #	Part Number	Qty	S/P/F	Description
1	16606	1	S	Retainer Hook
2	618-0565	1	S	Spindle Assembly, 5.75 Dia.
	756-0980	1		Pulley Only
3	683-0198D	1	S	42-inch Deck Shell
4	683-0254	1	S	Deck Adjustment Bracket w/ Weld Nut
5	736-0140	1	S	Flat Washer, .385 x .62 x .063
6	710-0520	1	/P	Hex Cap Screw, 1/4-20 x 1.5
7	710-0528	1	/P	Hex Cap Screw, 5/16-18 x 1.25
8	710-0604A	1	/P	Self-tapping Screw, 5/16-18 x .625
9	710-0751	1	/P	Hex Cap Screw, 1/4-20 x .62
10	710-1238	1	/P	Hex Head Washer Screw, 5/16-18 x .875
11	710-1260A	1	/P	Self-tapping Screw, 5/16-18 x .75
12	710-3151	1	/P	Hex Cap Screw, 5/8-18 x .875
13	712-0337	1		Hex Nut, 5/8-18
14	712-0417A	1	/P	Hex Flange Nut, 5/8-18
15	712-0431	1	S	Flange Lock Nut, 3/8-16
16	712-3004A	1	/P	Flange Lock Nut, 5/16-18
17	712-3006	1	/P	Hex Nut, 1/4-20
18	712-3027	1	S	Hex Flange Lock Nut, 1/4-20
19	714-0470	1	S	Cotter Pin, 1/8 x 1.25
20	716-3020	1	S	Internal Snap Ring
21	717-1553A	1	S	Deck Adjustment Gear
22	726-0233	1	/P	Push Nut. .25 x.5
23	731-1032B	1	S	Side Discharge Chute Assembly
24	731-2486	1	S	Belt Cover
25	732-0306	1	S	Compression Spring, .406 x .531 x 1.75
26	732-0470A	1	S	Extension Spring, .50 x 4.74
27	734-0973	1	/P	Deck Wheel, 5 x 1.38
28	736-0105	1	/P	Bell Washer, .401 x .87 x .063
29	736-0119	1	S	Lock Washer, 5/16
30	736-0158	1	S	Lock Washer, 5/8
31	736-0162	1	/P	Flat Washer, .64 x 1.0 x .12
32	736-0270	1	/P	Bell Washer, .265 x .75 x .062
33	738-0373	1	S	Shoulder Screw, .498 x 1.53
34	741-0524	1	S	Bearing, .625 x 1.574 x .470
35	742-0616	1	S	Three-in-one Blade, Star Center, 21.23"
36	747-1116	1	/P	Deck Release Pin
37	748-0331	1	S	Shoulder Spacer, .625 x .324
38	750-0932A	1	S	Spacer, .635 x .88 x 1.72
39	683-0440	1		Deck Brake Assembly
40	754-0498	1	S	Deck Belt
41	756-0627B	1	S	Idler Pulley, 3.5
42	756-1202	1		Double Pulley, 5.0
43	710-1830	1		Self-tapping Screw, 1/4-20 x 4.0
44	746-0970	1		Brake Cable, 5.05
45	783-1291	1	S	Idler Bracket
46	711-1534	1		Pin, 3/8-16, 3/8 x 3.27
47	712-3087	1	/P	Wing Nut, 1/4-20
48	710-0599	1	/P	Self-tapping Screw, 1/4-20 x .5
49	710-0134	1	/P	Carriage Screw, , 1/4-20 x .62
50	731-2363	1	/P	Mulch Plug
51	783-1146A	1	S	Deck Skirt
52	710-0136	1	/P	Hex Cap Screw, 1/4-20 x 1.75

13CD609G063 (2001)
Deck Assembly G

Page 6 of 25

Ref #	Part Number	Qty	S/P/F	Description
53	753-0894	1	/P	Deck Assembly Complete, Manual PTO (w/o Mulch Kit)
	753-0896	1	/P	Deck Assembly Complete, Electric PTO (w/o Mulch Kit)

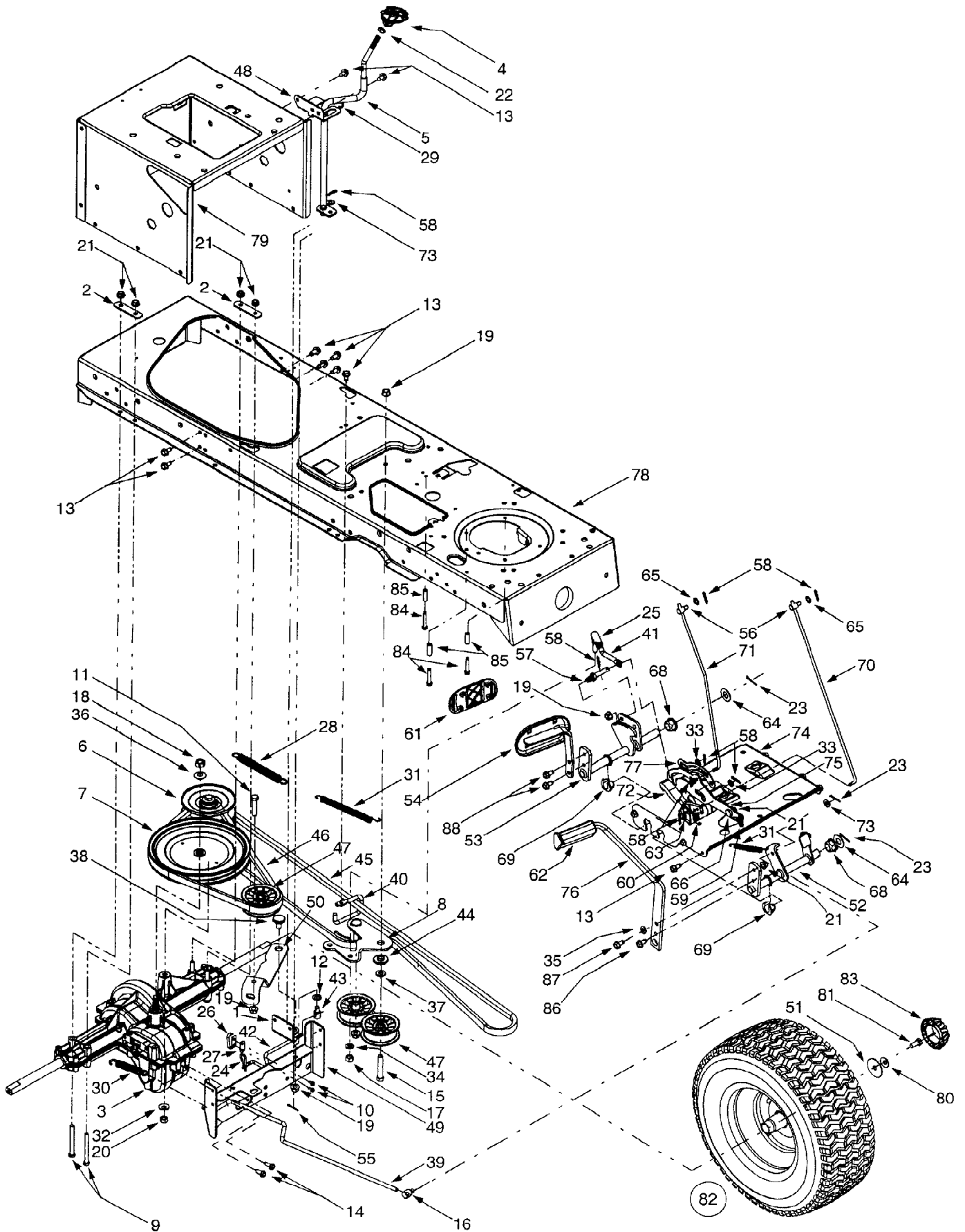


13CD609G063 (2001)
Differential Assembly

Page 8 of 25

Ref #	Part Number	Qty	S/P/F	Description
1	716-0231	1	S	E-ring, .75
2	721-0338	1	S	Seal, .75 x 1.0 x .125
3	711-1431	1		Drive Shaft
4	741-0340	1	S	Sleeve Bearing, .75 x .1 .0 x 1.0
5	736-0495	1	S	Thrust Washer, 1.0 x .632 x .0
6	717-1362	1	S	42-tooth Bevel Gear
7	717-1363	1	S	42-tooth Bevel Gear
8	750-1234	1		Spacer, .633 x 1.0 x .513
9	718-0228	1		Clutch Collar
10	741-0525	1	S	Needle Bearing, .625 x .875
11	719-0394	1		Lower Housing
12		1		UNKNOWN
?12A	736-0336	1	S	Flat Washer, 5/8 x 1.0 x .030 Purchase locally
?12B	736-0337	1	S	Flat Washer, 5/8 x 1.0 x .040 Purchase locally
?12C	736-0349	1	S	Flat Washer, 5/8 x 1.0 x .020 Purchase locally
13	736-0519	1	S	Flat Washer, .70 x 1.125 x .031
14	741-0336	1	S	Flange Bearing, 5/8 x 3/4 x 3/4
15	741-0337	1	S	Flange Bearing, 5/8 x 3/4 x 15/16
?16	750-1238	1		Spacer, .635 x 1.0 x .27
17	611-0133	1		Detent Shaft Assembly
18	618-0424	1	S	Differential Assembly
19	661-0006	1	S	Brake Assembly
20	710-1325	1	/P	Self-tapping Screw, 1/4-20 x 1.625
21	710-1206	1	/P	Self-tapping Screw, 1/4-20 x 2.375
22	717-0678	1	S	Brake Pad
23	732-0863	1	S	Compression Spring
24	741-0862	1	/P	Detent Ball
25	761-0202	1		Brake Disc
26	711-1430	1		Input Shaft
27	716-0108	1	S	Retaining Ring, .437
28	717-1464	1		14-tooth Bevel Pinion
29	719-0391A	1	S	Upper Housing
30	736-0723	1	S	Thrust Washer, .635 x 1.25 x .042
	918-0551	1	S	Transmission Complete

13CD609G063 (2001)
Drive, Controls, Wheels Rear

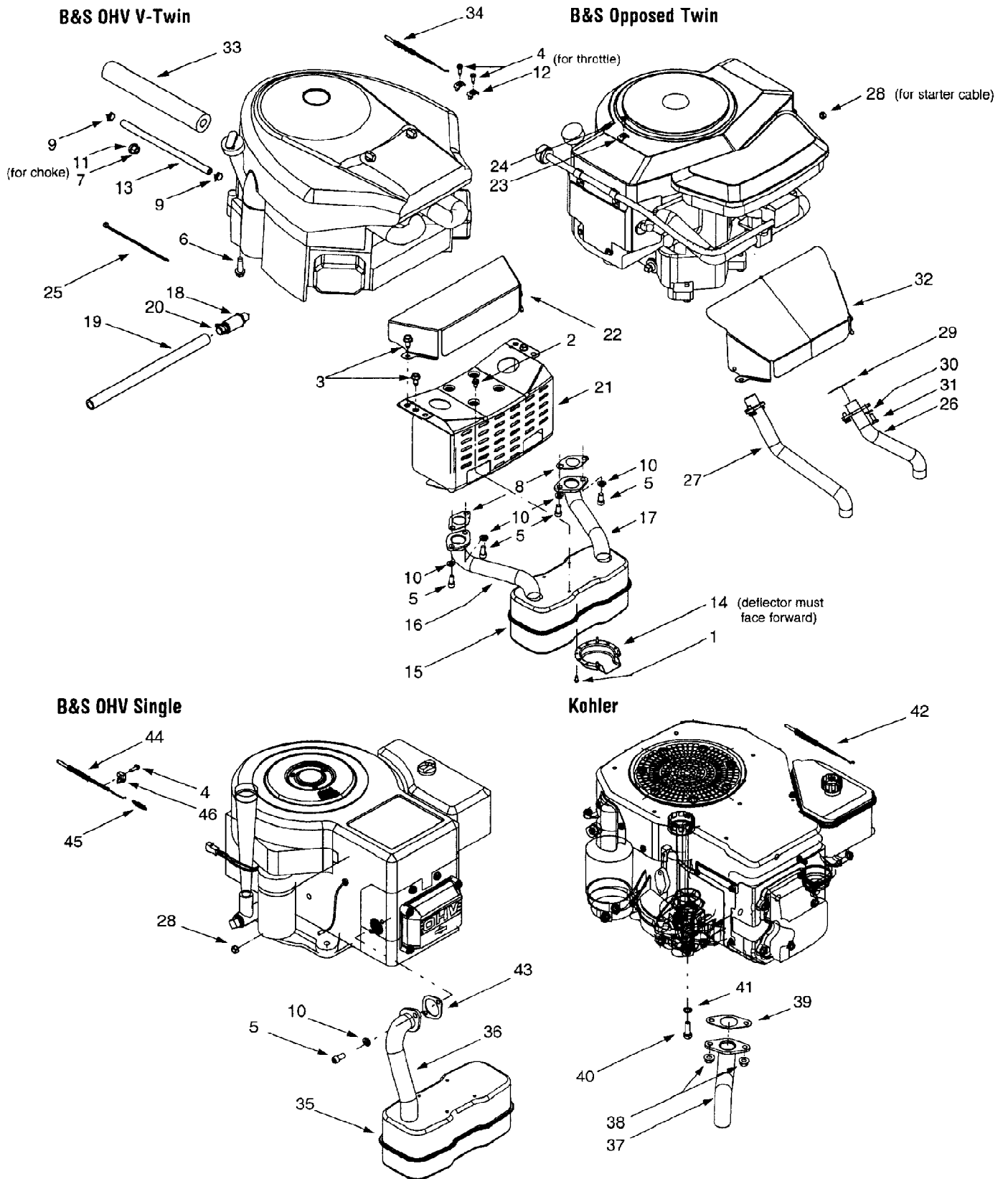


13CD609G063 (2001)
Drive, Controls, Wheels Rear

Page 10 of 25

Ref #	Part Number	Qty	S/P/F	Description
1	783-1015	1	S	Shift Lever Support
2	17840	1	S	Transaxle Mounting Bracket
3	618-0551	1	S	Single-speed Transmission Assembly
4	631-0009A	1	S	Shifter Knob
5	647-0045	1		Shift Lever
6	656-0048	1	S	Variable-speed Pulley Assembly
7	656-0051A	1	/P	Transmission Pulley, 8.5 x .5-36
8	683-0251	1		Double-idler Bracket
9	710-0176	1	/P	Hex Cap Screw, 5/16-18 x 2.75
10	710-0227	1	/P	Self-tapping Screw, #8-18 x .5
11	710-0347	1	/P	Hex Cap Screw, 3/8-16 x 1.75
12	736-0272	1	S	Flat Washer, .51 x 1.0 x .060
13	710-0604A	1	/P	Self-tapping Screw, 5/16-18 x .625
14	710-0642	1	/P	Self-tapping Screw, 1/4-20 x .75
15	710-3011	1	/P	Hex Cap Screw, 3/8-16 x 2.25
16	711-0677	1	S	Ferrule, 5/16-18
17	712-0241	1	/P	Hex Nut, 3/8-24
18	712-0378	1	/P	Hex Nut, 7/16-20
19	712-0431	1	S	Flange Lock Nut, 3/8-16
20	712-3017	1	S	Hex Nut, 3/8-16
21	712-3004A	1	/P	Flange Lock Nut, 5/16-18
22	712-3008	1	S	Jam Nut, 3/8-16
23	714-0111	1	S	Cotter Pin
24	714-0149B	1	S	Internal Cotter Pin
25	723-3018	1	S	Ball Joint
26	725-1644	1		Short Spring Switch
27	726-0320	1	S	Insulator Nut Plate
28	732-0384	1	S	Extension Spring, .62 Dia. x 6.12
29	732-0525	1		Compression Spring Clip
30	732-0716	1	S	Extension Spring, .59 OD x 4
31	732-0963	1		Extension Spring, .50 Dia. x 6.37 (Hooks to flange, 783-0650, in frame)
32	736-0105	1	/P	Bell Washer, .401 x .87 x .063
33	736-0140	1	S	Flat Washer, .385 x .62 x .063
34	736-0169	1	S	Lock Washer, 3/8
35	736-3008	1	S	Flat Washer, .344 x .750 x .120
36	736-0407	1		Bell Washer, .45 x 1.0 x .602
37	736-3010	1		Flat Washer, .407 x .812 x .135
38	738-0322	1	S	Shoulder Screw, .625 x .217
39	747-1122	1		Brake Rod
40	747-1123A	1	/P	Belt Guard
41	747-1127	1		Idler Adjustment Rod, 3/8
42	747-1285	1		Shift Rod
43	711-0736	1	/P	Adjustment Ferrule, 1/4-20 x 1.0
44	738-0372A	1	S	Shoulder Spacer, .38 ID
45	754-0467	1	S	Lower Drive Belt
46	754-0468	1	S	Upper Drive Belt
47	756-0981A	1	S	Flat Idler, 2.75 OD
48	783-1016B	1	/P	Speed Control Rod Bracket
49	783-0667B	1		Transmission Torque Bracket
50	783-0669	1	S	Idler Bracket
51	736-0430	1	/P	Flat Washer, .350 x 1.59 x .062
52	647-0031	1	S	Brake Control Assembly

Ref #	Part Number	Qty	S/P/F	Description
53	647-0032	1	S	Speed Control Assembly
54	683-0266	1		Drive Pedal Assembly
55	714-0470	1	S	Cotter Pin, 1/8 x 1.25
56	711-0736	1	/P	Ferrule, 1/4-20
57	711-1363	1		Pin, 3/8-16 x 2.43
58	714-0104	1	S	Cotter Pin
59	732-0437	1		Compression Spring, .34 OD x 1.0
60	732-0955	1		Extension Spring, .50 OD x 1.41
61	735-0662	1		Drive Pedal Pad
62	735-3049	1	S	Brake Pedal Pad
63	736-0142	1	S	Flat Washer, .281 x .5 x .063
64	736-0187	1	/P	Flat Washer, .64 x 1.24 x .06
65	736-0204	1	/P	Flat Washer, .344 x .062 x .03
66	738-0155	1	S	Shoulder Screw, .437 x 1.62
?67	738-0507B	1	S	Shoulder Screw, .5 x .434
68	741-0225	1	S	Hex Flange Bearing
69	741-3065A	1	S	Split Hex Flange Bearing
70	747-1137	1		Cruise Control Rod
71	747-1138	1		Brake Lock Control Rod
72	748-0413	1		Cruise Latch
73	736-0275	1	S	Flat Washer, .344 x .688 x .065
74	783-0653D	1	S	Steering Support Bracket
75	783-0732	1	S	Drive Lockout Bracket
76	783-0773	1		Brake Pedal
77	783-0780A	1	S	Neutral Return Bracket
78	683-0304	1	S	Lower Frame Assembly
79	783-1031A	1		Hitch Plate
80	736-0242	1	/P	Bell Washer, .34 x .872
81	710-0627	1	/P	Hex Cap Screw, 5/16-24 x .75
82	634-0177	1	/P	Wheel Assembly Complete 20 x 10 x 8 Square Shoulder
82	634-0104	1		Wheel Assembly Complete 20 x 8 x 8 Square Shoulder
82	734-1675	1		Wheel Assembly Complete 20 x 8 x 8 Round Shoulder
82	634-0070	1	/P	Rim Assembly Only Not Shown
82	734-0255	1	S	Air Valve Not Shown
82	734-1873	1		Tire Only, 20 x 10 x 8, Square Shoulder Not Shown
82	734-1730	1		Tire Only, 20 x 8 x 8, Square Shoulder Not Shown
82	734-1596	1		Tire Only, 20 x 8 x 8, Round Shoulder Not Shown
83	731-2290A	1	/P	Hub Cap
84	710-0809	1		Self-tapping Screw, 1/4-20 x 1.25
85	750-0566A	1	/P	Spacer
86	710-0650	1	/P	Self-tapping Screw, 5/16-18 x .875
87	710-1260A	1	/P	Self-tapping Screw, 5/16-18 x .75
88		1		UNKNOWN
	783-0650	1		Flange Not shown



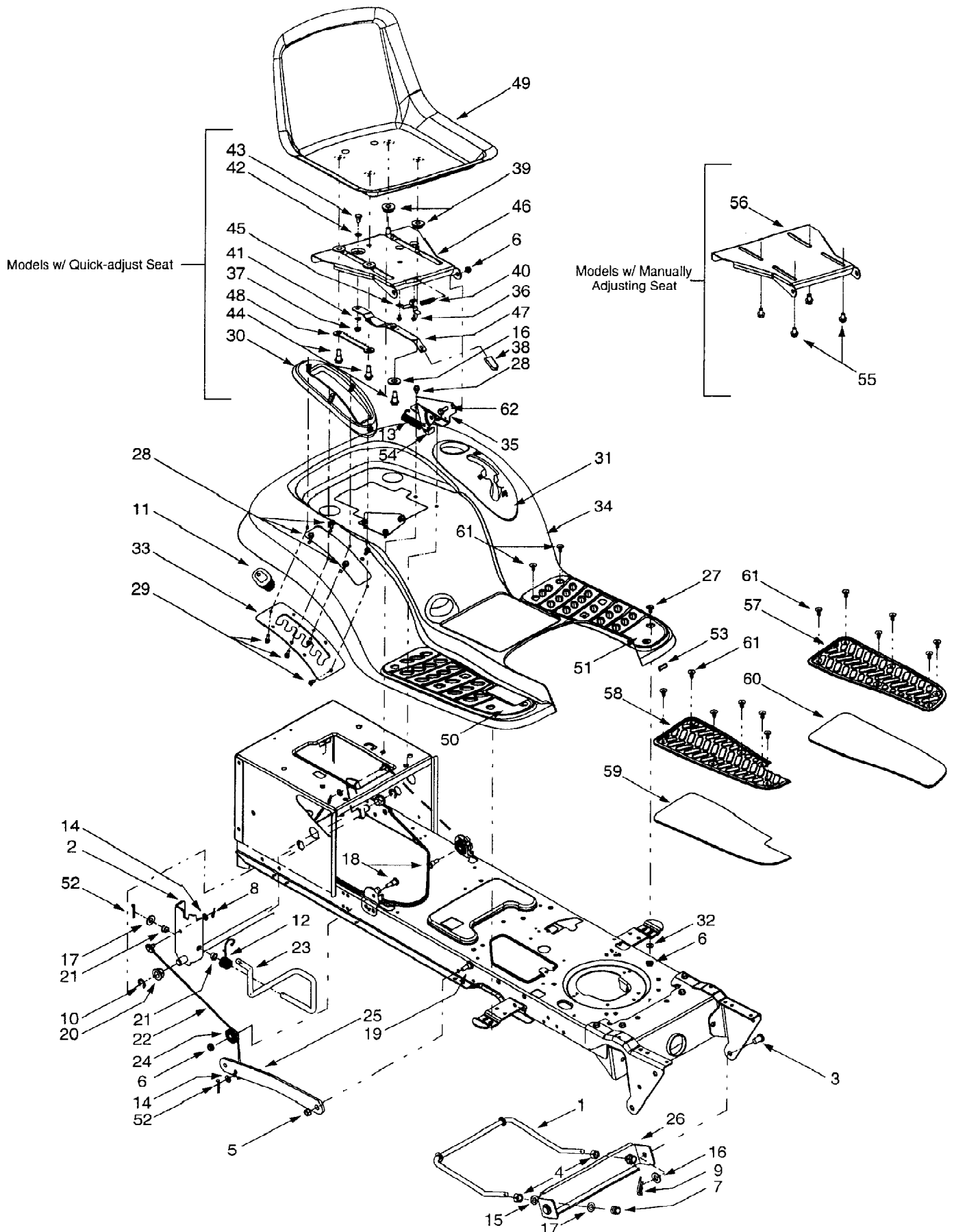
Ref #	Part Number	Qty	S/P/F	Description
1	710-0148	1	/P	Self-tapping Screw, #8-32 x .375
2	710-0599	1	/P	Self-tapping Screw, 1/4-20 x .5
3	710-0604A	1	/P	Self-tapping Screw, 5/16-18 x .625
4	710-1237	1		Screw, #10-32 x .625 (B&S OHV V-Twin)
5	710-1314	1	S	Socket Cap Screw, 5/16-18 x .625
6	710-1315	1	/P	Self-tapping Screw, 3/8-16 x 1.25
7	712-3017	1	S	Hex Nut, 3/8-16
8	721-0460	1		Exhaust Gasket (B&S OHV V-Twin)
9	726-0205	1	/P	Hose Clamp
10	736-0119	1	S	Lock Washer, 5/16
11	736-0300	1	S	Lock Washer, .406 x .875 x .059
12	751B221535	1	/P	Casing Clamp (B&S OHV V-Twin)
13	751-0535	1		Fuel Line Hose
14	751-0564	1	S	Muffler Deflector
15	751-0616	1	S	Muffler, Twin Inlet (B&S Opposed Twin & OHV V-Twin)
16	751-0650	1	S	RH Exhaust Pipe (B&S OHV V-Twin)
17	751-0651	1	S	LH Exhaust Pipe (B&S OHV V-Twin)
18	751-3140	1	S	Oil Drain Valve
19	751-3141	1	S	Oil Drain Hose
20	751-3142	1		Oil Drain Cap
21	783-0615	1	S	Muffler Heat Shield
22	783-0625B	1	S	Engine Heat Shield (B&S OHV V-Twin)
23	726-0272	1	/P	Clamp, 9/16 (B&S Opposed Twin)
24	712-0779A	1		Screw, #10-16 x.5 (B&S Opposed Twin)
25	725-0157	1	/P	Cable Tie
26	751-0623	1		LH Exhaust Pipe (B&S Opposed Twin)
27	751-0624	1		RH Exhaust Pipe (B&S Opposed Twin)
28	712-0271	1	/P	Hex Sems Nut, 1/4-20 (B&S Opposed Twin & OHV Single)
29	721-0346	1		Exhaust Gasket (B&S Opposed Twin)
30	736-0329	1	S	Lock Washer, 1/4 (B&S Opposed Twin)
31	710-0751	1	/P	Hex Screw, 1/4-20 x .620 (B&S Opposed Twin)
32	783-0357A	1	S	Heat Shield (B&S Opposed Twin)
33	722-0263	1	S	Foam, .625 x 1.5 x 10 (Fits over fuel line)
34	746-1086	1	S	Throttle Cable (B&S Opposed Twin & OHV V-Twin)
35	751-0617	1	S	Muffler, Single Inlet (B&S OHV Single & Kohler)
36	751-0619	1	S	Exhaust Pipe (B&S OHV Single)
37	751-0621	1	S	Exhaust Pipe (Kohler)
38	712-3086	1	/P	Flange Nut, 8mm (Kohler)
39	721-0375	1	S	Exhaust Gasket (Kohler)
40	710-3206A	1	/P	Hex Cap Screw, 8mm (Kohler)
41	736-0607	1	/P	External Lock Washer (Kohler)
42	746-1087	1	S	Throttle Cable (Kohler)
43	721-0208	1	S	Exhaust Gasket (B&S OHV Single)
44	746-1084	1	S	Throttle Cable (B&S OHV Single)

13CD609G063 (2001)
Engine Accessories

Page 14 of 25

Ref #	Part Number	Qty	S/P/F	Description
45	732-0966	1		Extension Spring, .275 x 1.25 (B&S OHV Single)
46	751B213146	1	/P	Casing Clamp (B&S OHV Single)

13CD609G063 (2001)
Fender & Seat



13CD609G063 (2001)
Fender & Seat

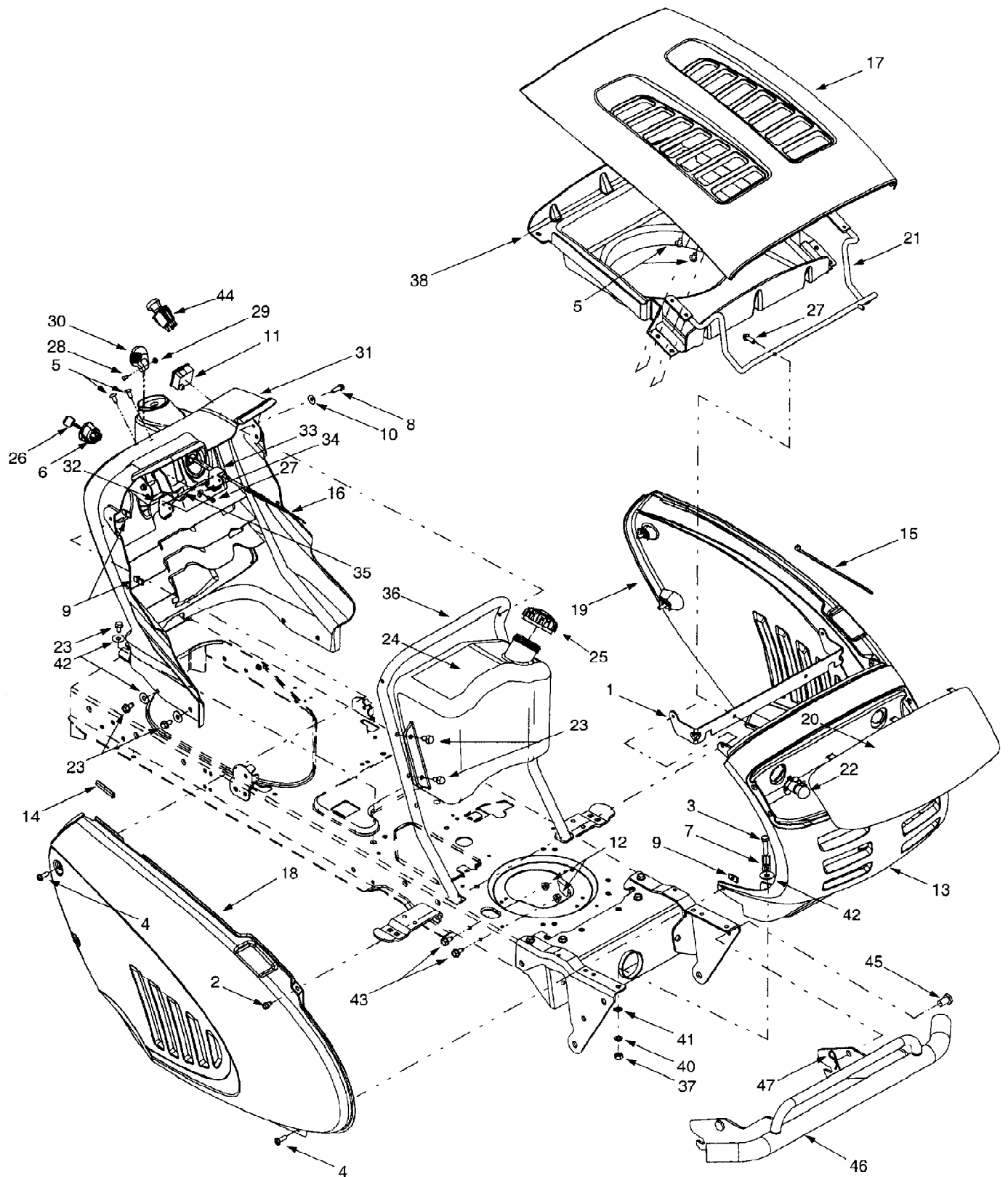
Page 16 of 25

Ref #	Part Number	Qty	S/P/F	Description
1	747-1130A	1	S	Deck Stabilizer Rod
2	683-0197	1	S	Lift Shaft Assembly
3	711-0332	1	S	Clevis Pin, .5 x .78
4	712-0206	1	S	Hex Nut, 1/2-13
5	712-0431	1	S	Flange Lock Nut, 3/8-16
6	712-3004A	1	/P	Flange Lock Nut, 5/16-18
7	712-3083	1	/P	Hex Nut, 1/2-13
8	714-0104	1	S	Internal Cotter Pin
9	714-0145	1	S	Internal Cotter Pin
10	716-0106	1	/P	E-ring
11	720-0311	1		Handle Grip
12	732-0874	1	/P	Torsion Spring
13	732-1027	1		Extension Spring, .872 x 3.4
14	736-0275	1	S	Flat Washer, 5/16
15	736-0921	1	S	Lock Washer, 1/2
16	736-3019	1		Flat Washer, .31 x 1.062 x .134
17	736-3084	1	/P	Flat Washer, .51 x 1.12 x .06
18	738-0138A	1	/P	Hex Cap Screw, 5/16-18 x .62
19	738-0143	1	/P	Shoulder Screw, 3/8-16
20	741-0225	1	S	Hex Flange Bearing
21	741-0715	1	S	Snap Flange Bearing
22	746-0968	1		Lift Cable, 16.16
23	747-1111	1	S	Lift Handle
24	756-1154	1		Roller Pulley
25	783-0678A	1	S	Arm Lift
26	783-0720A	1	S	Deck Stabilizer Bracket
27	710-0260A	1	/P	Carriage Bolt, 5/16 x .62
28	710-0604A	1	/P	Self-tapping Screw, 5/16-18 x .625
29	710-0895	1		Self-tapping Screw, 1/4-15 x .75
30	731-1990	1		Lift Lever Cover
31	731-2104A	1	S	Shift Lever Cover w/ Cup Holder
32	736-3078	1	/P	Flat Washer, .349 x 1.0 x .063
33	783-0677	1	S	Lift Adjustment Bracket
34	783-0685B	1	S	Fender, 4-Style (Shown)
	783-0839A	1		Fender, 7-Style
35	783-0715A	1	S	Seat Mounting Bracket
36	710-1268	1	/P	Screw, #10-16 x .375
37	712-3027	1	S	Hex Flange Lock Nut, 1/4-20
38	720-0309A	1	/P	Seat Adjuster Grip
39	731-1989	1		Spacer
40	732-0499	1		Compression Spring, .41 x 1.5
41	736-0175	1	S	Spring Washer, .265 x .562 x .025
42	736-0204	1	/P	Flat Washer, .344 x .62 x .03
43	738-0137A	1	S	Shoulder Screw, .340 x .285, 1/4-20
44	738-1007	1		Shoulder Screw, .50 x .50, 3/8-16
45	783-0611	1		Seat Stop
46	783-0738	1	S	Seat Pivot Bracket
47	783-0739	1		Seat Adjustment Lever
48	783-0753	1		Seat Adjustment Selector
49	757-0348A	1	/P	High Back Seat, Black
	757-0350	1	S	High Back Seat w/ Drain Holes, Black
	757-0360A	1	S	Medium Back Seat, Black
50	735-0656	1		RH Foot Pad, Rubber (4-Style Fender)

13CD609G063 (2001)
Fender & Seat

Page 17 of 25

Ref #	Part Number	Qty	S/P/F	Description
51	735-0657	1		LH Foot Pad, Rubber (4-Style Fender)
52	714-0111	1	S	Cotter Pin
53	731-0511	1	/P	Trim Strip
54	783-0209	1	S	Seat Lift Bracket
55	710-0870	1	/P	Hex Head Washer Screw, 3/8-16 x .625
56	783-0740	1		Seat Pivot Bracket, Manually Adjusted
57	735-0672	1		RH Foot Pad, Rubber (7-Style Fender)
58	735-0673	1		LH Foot Pad, Rubber (7-Style Fender)
59	723-0484	1		RH Foot Pad, Grit (7-Style Fender)
60	735-0483	1		LH Foot Pad, Grit (7-Style Fender)
61	726-3046	1	/P	Ratchet Clip
62	738-0296	1	S	Shoulder Screw, .437 x .286



13CD609G063 (2001)
Hood Style 9 & Electrical

Page 19 of 25

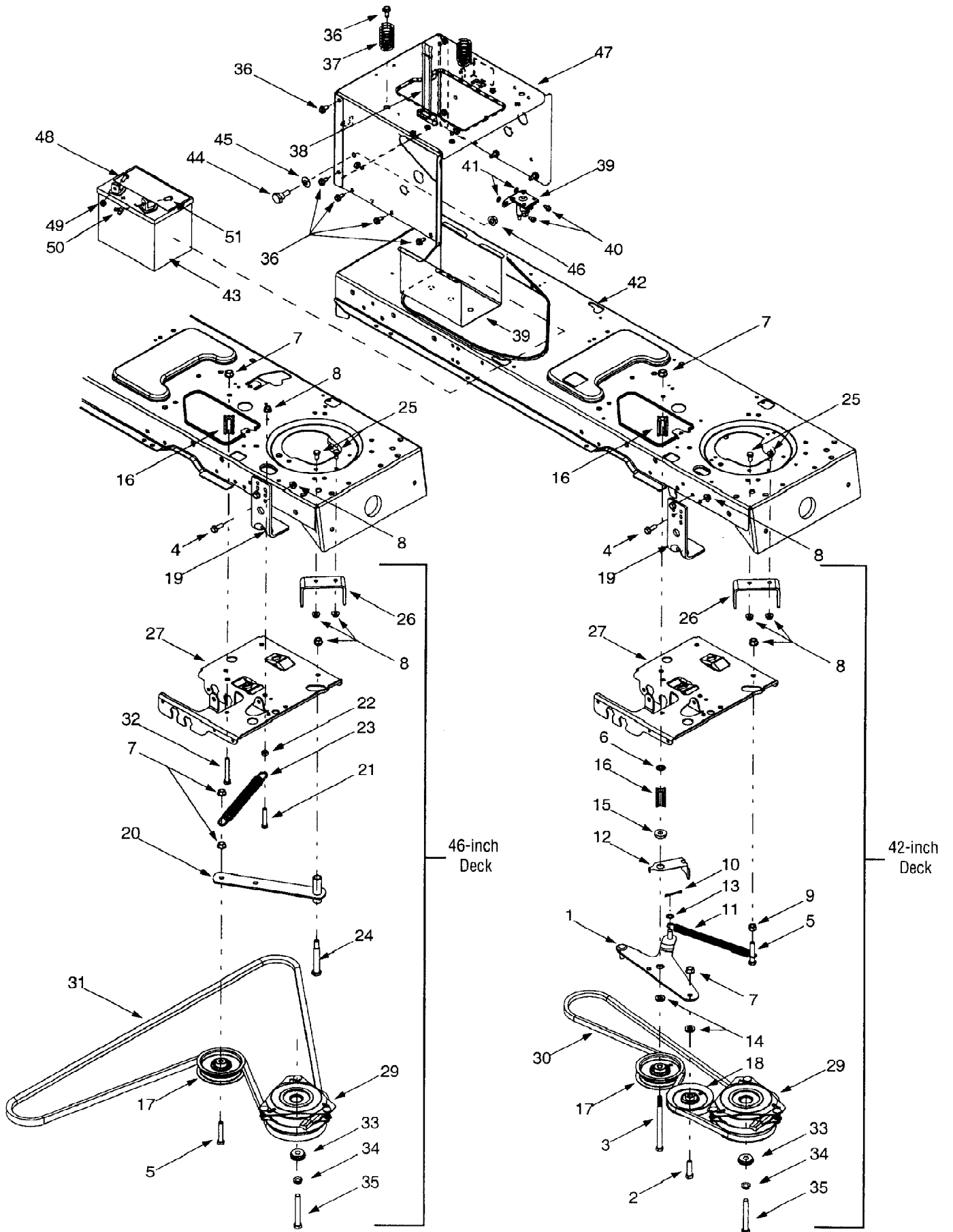
Ref #	Part Number	Qty	S/P/F	Description
1	783-1346	1	S	Grill Support Bracket (9-style)
2	710-0599	1	/P	Self-tapping Screw, 1/4-20 x .5
3	710-0528	1	/P	Hex Cap Screw, 5/16-18 x 1.25
4	710-0924	1	/P	Phillips Pan Screw, 1/4-20 x .75
5	710-1017	1	/P	Truss Phillips Screw, 1/4-20 x .625
6	725-1741	1	S	Ignition Switch
7	726-0272	1	/P	Clamp, 9/16
8	710-0642	1	/P	Self-tapping Screw, 1/4-20 x .75
9	712-0292	1	/P	U-type Speed Nut, 1/4-20
10	736-0270	1	/P	Bell Washer, .265 x .75 x .062
11	725-1976	1	S	Systems Indicator Monitor w/ Hour Meter
	725-1758	1		Systems Indicator Monitor w/ Ammeter
12	712-3004A	1	/P	Hex Nut, 5/16-18
13	731-2119	1	S	Grille (9-style)
14	731-0511	1	/P	Trim Strip, 4
15	725-0175	1		Cable Tie, 3/16 x .05 x 7.4
16	746-1085	1	S	Choke Knob/Cable (Models with any B&S Twin)
	746-1088	1	S	Choke Knob/Cable (Models with Kohler)
17	783-0783	1	S	Hood (9-style)
18	783-0784	1		RH Side Panel (9-style)
19	783-0785	1		LH Side Panel (9-style)
20	731-2119	1	S	Headlight Lens (9-style)
21	747-1162	1		Hood Hinge Rod
22	625-0051	1	S	Headlight Assembly
23	710-0604A	1	/P	Self-tapping Screw, 5/16-18 x .625
24	751-0658B	1		Fuel Tank, Three Gallon
	751-0659A	1	S	Fuel Tank, Two Gallon (Shown)
25	751-0603	1	S	Fuel Cap
26	725-1745	1	S	Ignition Key w/ plastic cover
	725-1744	1	S	Ignition Key w/o plastic cover
27	710-0895	1		Self-tapping Screw, 1/4-15 x .75
28	710-3217	1	/P	Truss Phillips Screw, #8-32 x .375
29	712-0142	1	/P	Hex Nut, #8-32
30	731-1857	1		Throttle Control Knob
31	731-2225	1	S	Dash Panel (Models w/ Electric PTO)
	731-2122	1	S	Dash Panel (Models w/ Manual PTO)
32	731-2226	1		Cruise Control Button
33	731-2227	1		Parking Brake Button
34	736-0142	1	S	Flat Washer, 9/32 x 1/2 x 1/16
35	747-1196	1		Brake/Cruise Pivot Rod
36	749-1087A	1	S	Dash Support Tube
37	712-3010	1	S	Hex Nut, 5/16-18
38	731-2269	1		Hood Plenum (Models with Kohler)
	731-2270	1	S	Hood Plenum (Models with B&S OHV V-Twin)
	731-2271	1	S	Hood Plenum (Models with B&S Opposed Twin)
		1		Hood Plenum (Models with B&S OHV Single)
?39	726-3046	1	/P	Ratchet Clip
40	736-0119	1	S	Lock Washer, 5/16
41	726-0201	1		Speed Nut, .3125

13CD609G063 (2001)
Hood Style 9 & Electrical

Page 20 of 25

Ref #	Part Number	Qty	S/P/F	Description
42	736-3078	1	/P	Flat Washer, .349 x 1.0 x .063
43	710-1238	1	/P	Screw, 5/16-18 x .875 (Grade 5)
44	725-1752	1	S	Electric PTO Switch
45	711-0332	1	S	Clevis Pin, .50 x .78
46	768-0010	1	S	Bumper Assembly
47	714-0145	1	S	Internal Cotter Pin
	629-0309	1	S	Headlight Wire Harness
	629-1071	1	S	Tractor Wire Harness (Models with Electric PTO)
	629-0944	1	S	Tractor Wire Harness (Models with Manual PTO)

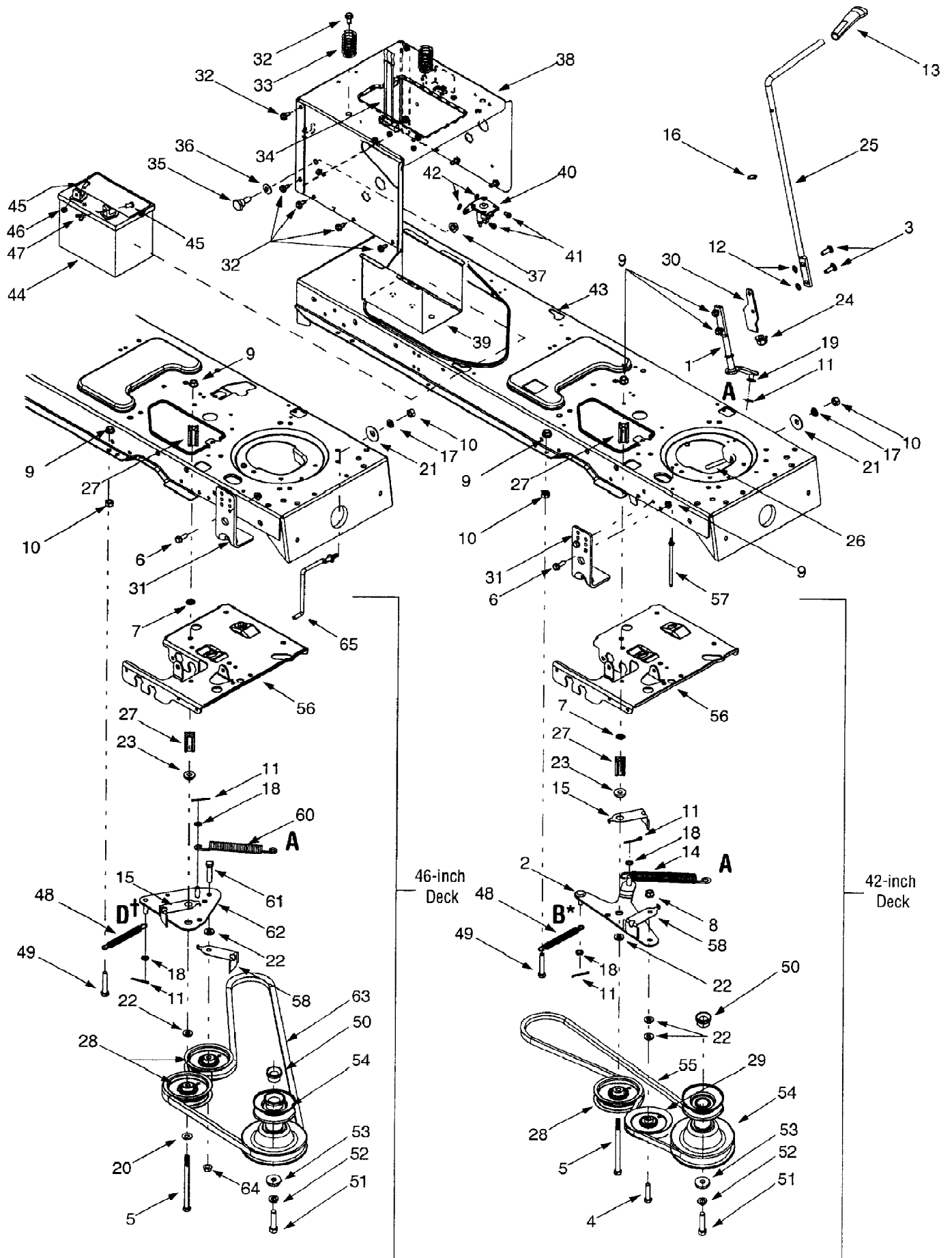
13CD609G063 (2001)
PTO Electric & Battery



13CD609G063 (2001)
PTO Electric & Battery

Page 22 of 25

Ref #	Part Number	Qty	S/P/F	Description
1	683-0450	1	/P	Engagement Plate Assembly
2	710-0520	1	/P	Hex Cap Screw, 3/8-16 x 1.5
3	710-0831	1		Hex Cap Screw, 3/8-16 x 5.5
4	710-1238	1	/P	Hex Head Washer Screw, 5/16-18 x .875
5	710-3144	1	/P	Hex Cap Screw, 3/8-16 x 2.0
6	712-0229	1		Push Nut, 3/8
7	712-0431	1	S	Flange Lock Nut, 3/8-16
8	712-3004A	1	/P	Flange Lock Nut, 5/16-18
9	712-3017	1	S	Hex Nut, 3/8-16
10	714-0470	1	S	Cotter Pin, 1/8 x 1.25
11	732-0384	1	S	Extension Spring, .62 x 6.12
12	732-0991A	1	/P	Belt Guard
13	736-0140	1	S	Flat Washer, .385 x .62 x .063
14	736-3010	1		Flat Washer, .407 x .812 x .135
15	738-0372A	1	S	Shoulder Spacer, .380
16	748-0415A	1	S	Spacer, 3/8 x 1.54
17	756-0627B	1	S	Idler Pulley, 3.5
18	756-1208	1		Idler Pulley, 4.0
19	783-0891B	1		Deck Stop
20	683-0297	1	S	Idler Bracket Assembly
21	710-3180	1	/P	Hex Cap Screw, 5/16-18 x 1.75
22	712-3010	1	S	Hex Nut, 5/16-18
23	732-0978	1		Extension Spring, .62 x 5.62
24	738-3056	1	S	Shoulder Screw, 1/2 x 2.5
25	710-3025	1	/P	Hex Cap Screw, 5/16-18 x .625
26	783-1003	1	S	Electric Clutch Anti-rotation Bracket
27	783-0653D	1	S	Steering Support Bracket
?28	683-0314	1		Frame Assembly
29	717-1708	1	S	Electric PTO Clutch
30	754-0497	1	S	PTO Belt (Models w/ 42-inch deck)
31	754-0474	1	S	PTO Belt (Models w/ 46-inch deck)
32	710-0859	1	/P	Hex Cap Screw, 3/8-16 x 2.5
33	738-0785	1	S	Shoulder Spacer, 1.38 x .445 x .36
34	736-0171	1	S	Lock Washer, 7/16
35	710-3157	1	S	Hex Cap Screw, 7/16-20 x 3.25 (Grade 5)
36	710-0604A	1	/P	Self Tapping Screw, 5/16-18 x .625
37	732-3080	1	S	Compression Spring, 1.28 x 3.5
38	723-0444	1		Battery Strap
39	725-1426	1	S	Solenoid, 12-Volt, 100 Amp
40	710-0599	1	/P	Self Tapping Screw, 1/4-20 x .5
41	736-0222	1	S	Lock Washer, 1/4
42	683-0304	1	S	Lower Frame Assembly
43	725-1706	1	S	12-volt Battery, 270 CCA
44	738-1020	1		Shoulder Screw, .625 x .5, 7/16-20
45	736-0407	1		Bell Washer, .45 x 1.0 x .062
46	712-0459	1	/P	Flange Lock Nut, 7/16-20
47	783-1031A	1		Hitch Plate
48	710-0703	1	/P	Hex Cap Screw, 1/4-20 x .75
49	712-0271	1	/P	Hex Sems Nut, 1/4-20
50	712-3087	1	/P	Wing Nut, 1/4-20
51	738-1132	1		Shoulder Screw, 1/4-20, .25 x .15



Ref #	Part Number	Qty	S/P/F	Description
1	647-0046A	1	S	PTO Engage Lever Assembly
2	683-0450	1	/P	PTO Engage Plate Assembly
3	710-0276	1	/P	Carriage Screw, 5/16-18 x 1.00
4	710-0520	1	/P	Hex Cap Screw, 3/8-16 x 1.5
5	710-0831	1		Hex Cap Screw, 3/8-16 x 5.5
6	710-1238	1	/P	Hex Head Washer Screw, 5/16-18 x .875
7	712-0229	1		Push Nut, 3/8
8	712-0431	1	S	Flange Lock Nut, 3/8-16
9	712-3004A	1	/P	Flange Lock Nut, 5/16-18
10	712-3010	1	S	Hex Nut, 5/16-18
11	714-0470	1	S	Cotter Pin, 1/8 x 1.25
12	726-0201	1		Speed Nut, .3125
13	731-2111A	1	S	PTO Knob
14	732-1170	1		Extension Spring, .75 x 6.75
15	732-0991A	1	/P	Belt Guard
16	736-0108	1	S	Flat Washer, .510 x .750 x .033
17	736-0119	1	S	Lock Washer, 5/16
18	736-0140	1	S	Flat Washer, .385 x .62 x .063
19	736-0275	1	S	Flat Washer, 5/16
20	736-0300	1	S	Flat Washer, .406 x .875 x .059
21	736-0331	1	/P	Bell Washer, .39 x 1.13 x .062
22	736-3010	1		Flat Washer, .407 x .812 x .135
23	738-0372A	1	S	Shoulder Spacer, .380
24	741-0708	1		Hex Split Flange Bearing, .5
25	747-1112D	1	S	PTO Engagement Handle
26	747-1286	1	S	Belt Keeper Rod
27	748-0415A	1	S	Spacer, 3/8 x 1.54
28	756-0627B	1	S	Idler Pulley, 3.5
29	756-1208	1		Idler Pulley, 4.0
30	783-0744A	1		Engagement Stop
31	783-0891B	1		Deck Stop
32	710-0604A	1	/P	Self Tapping Screw, 5/16-18 x .625
33	732-3080	1	S	Compression Spring, 1.28 x 3.5
34	723-0444	1		Battery Strap
35	738-1020	1		Shoulder Screw, .625 x .5, 7/16-20
36	736-0407	1		Bell Washer, .45 x 1.0 x .062
37	712-0459	1	/P	Flange Lock Nut, 7/16-20
38	783-1031A	1		Hitch Plate
39	783-0349	1		Battery Tray
40	725-1426	1	S	Solenoid, 12-Volt, 100 Amp
41	710-0599	1	/P	Self Tapping Screw, 1/4-20 x .5
42	736-0222	1	S	Lock Washer, 1/4
43	683-0304	1	S	Lower Frame Assembly
44	725-1706	1	S	12-volt Battery, 270 CCA
45	710-0751	1	/P	Hex Cap Screw, 1/4-20 x .62
46	712-0271	1	/P	Hex Sems Nut, 1/4-20
47	712-3044	1		Wing Nut, 1/4-20
48	732-1165	1	S	Extension Spring, .50 x 5.0
49	710-3180	1	/P	Hex Cap Screw, 5/16-18 x 1.75
50	750-0956	1		Spacer Cup
51	710-3029	1	/P	Hex Head Cap Screw, 7/16-20 x 1.25
52	736-0171	1	S	Lock Washer, 7/16
53	736-0322	1	/P	Flat Washer, .450 x 1.25

Ref #	Part Number	Qty	S/P/F	Description
54	756-0982B	1	/P	Engine Pulley, 3.56 OD x 5.56
55	754-0497	1	S	PTO Belt (Models w/ 42-inch deck)
56	783-0653D	1	S	Steering Support Bracket
57	711-1044	1	S	Keeper Pin, 5/16 x 4.75
58	732-1013	1		Belt Guard
59	710-3025	1	/P	Hex Cap Screw, 5/16-18 x .625
60	732-0944	1		Extension Spring, .75 x 6.75
61	710-0347	1	/P	Hex Cap Screw, 3/8-16 x 1.75
62	683-0302	1	/P	PTO Engagement Plate Assembly
63	754-0486A	1	S	PTO Belt (Models w/ 46-inch deck)
64	712-0431	1	S	Flange Lock Nut, 3/8-16
65	747-1243	1	/P	Belt Keeper Rod