



13BZ609H063 (2000)

Page 2 of 23

Axle, Front, Steering Assembly, Wheels, Front

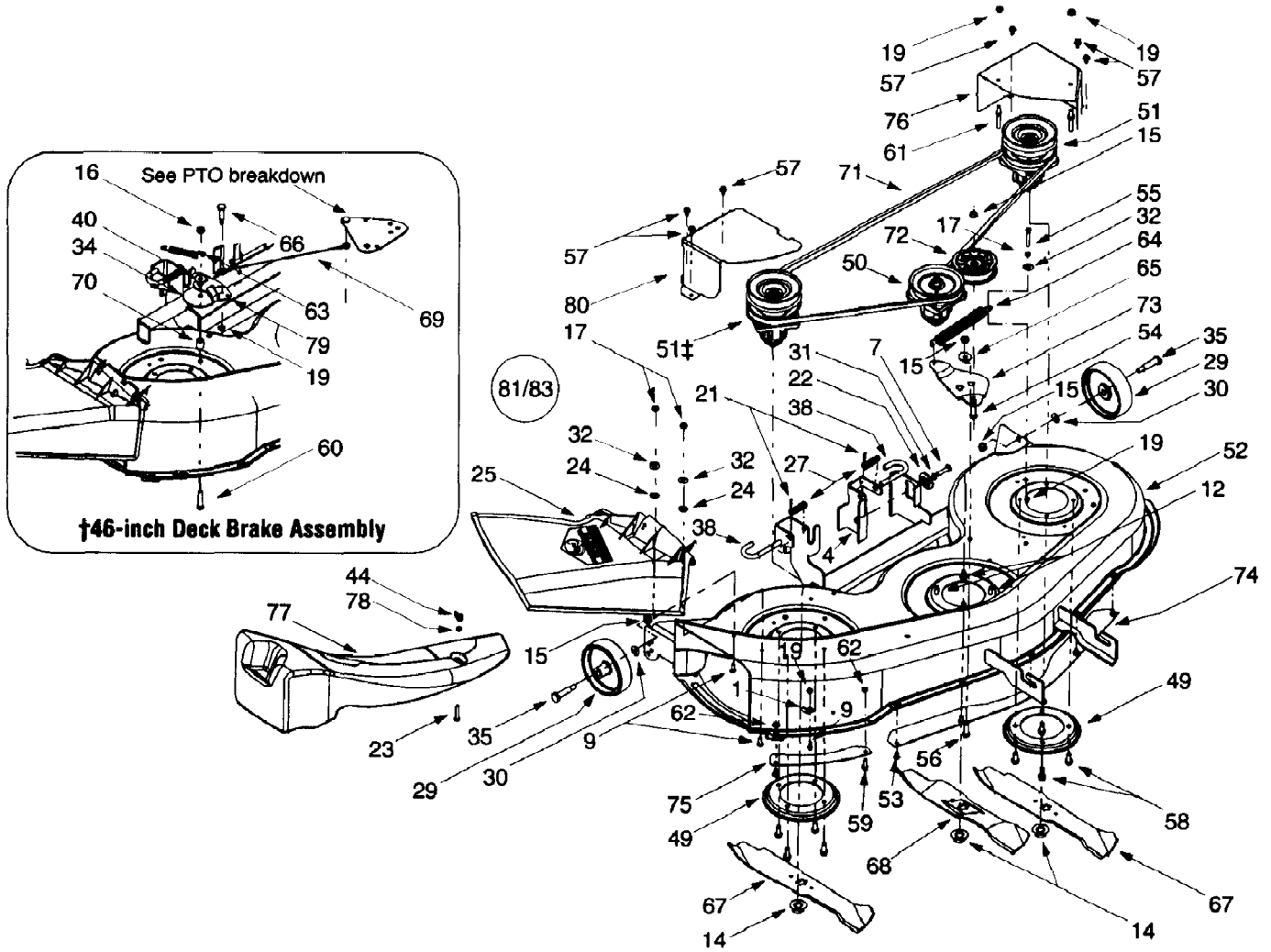
| Ref # | Part Number | Qty | S/P/F | Description                             |
|-------|-------------|-----|-------|---|
| 1     | 683-0304    | 1   | S     | Lower Frame Assembly                    |
| 2     | 710-0604A   | 1   | /P    | Self-tapping Screw, 16-18 x .625        |
| 3     | 783-0726A   | 1   | S     | RH Pivot Support Bracket                |
| 4     | 783-0727    | 1   | S     | LH Pivot Support Bracket                |
| 5     | 783-0728    | 1   |       | Pivot Bar Bracket                       |
| 6     | 710-0514    | 1   | /P    | Hex Cap Screw, 3/8-16 x 1 (Grade 5)     |
| 7     | 711-1409A   | 1   | /P    | LH Drag Link                            |
| 8     | 711-1408    | 1   |       | RH Drag Link                            |
| 9     | 712-0240    | 1   | S     | Jam Nut, 7/16-20 (Grade 2)              |
| 10    | 712-0241    | 1   | /P    | Hex Nut, 3/8-24 (Grade 2)               |
| 11    | 712-0431    | 1   | S     | Flange Lock Nut, 3/8-16                 |
| 12    | 712-0459    | 1   | /P    | Flange Lock Nut, 7/16-20                |
| 13    | 712-3004A   | 1   | /P    | Flange Lock Nut, 5/16-18                |
| 14    | 717-1550A   | 1   | S     | Steering Gear, 11/90 Ratio              |
| 15    | 717-1554    | 1   |       | Steering Pinion Gear                    |
| 16    | 723-0448A   | 1   | S     | Ball Joint, 7/16-20                     |
| 17    | 736-0169    | 1   | S     | Lock Washer, 3/8                        |
| 18    | 736-3084    | 1   | /P    | Flat Washer, .51 x 1.12 x .06           |
| 19    | 738-1001    | 1   | S     | Steering Shaft, .625 OD x 24.4          |
| 20    | 741-0475    | 1   | S     | Plastic Bushing, .38 ID                 |
| 21    | 741-0656    | 1   | S     | Hex Flange Bearing, 5/8                 |
| 22    | 738-0372    | 1   | S     | Shoulder Spacer, .38 ID                 |
| 23    | 631-0027    | 1   | S     | Steering Wheel                          |
| 24    | 731-0220    | 1   | S     | Steering Wheel Cap                      |
| 25    | 638-0019    | 1   | S/F   | LH Axle Assembly, .625 Diameter         |
|       | 638-0021    | 1   | S/F   | LH Axle Assembly, .625/.750 Diameter    |
| 26    | 638-0020    | 1   | S/F   | RH Axle Assembly, .625 Diameter         |
|       | 638-0022    | 1   | S/F   | RH Axle Assembly, .625/.750 Diameter    |
| 27    | 683-0128A   | 1   | S     | Pivot Bar                               |
| 28    | 712-0431    | 1   | S     | Flange Lock Nut, 3/8-16                 |
| 29    | 714-0470    | 1   | S     | Cotter Pin                              |
| 30    | 726-0214    | 1   | /P    | Push Cap, .625                          |
|       | 726-0341    | 1   | /P    | Push Cap, .750                          |
| 31    | 736-0162    | 1   | /P    | Flat Washer, .64 x 1.0 x .12            |
| 32    | 736-0187    | 1   | /P    | Flat Washer, .64 x 1.24 x .06           |
|       | 736-0316    | 1   | S     | Flat Washer, .78 x 1.59 x .06           |
| 33    | 736-0285    | 1   | /P    | Flat Washer, .635 x 1.589 x .06         |
| 34    | 738-1011    | 1   | S     | Shoulder Screw, .5 x 2.2, 3/8-16        |
| 35    | 741-0659    | 1   | S     | Flange Bearing, .632 ID x .937 OD       |
|       | 741-0660    | 1   | S     | Flange Bearing, .760 ID x .937 OD       |
| 36    | 634-0105A   | 1   | S     | Wheel Assembly Complete, 15 x 6 x 6     |
|       | 634-0172    | 1   |       | Rim Only                                |
|       | 734-0255    | 1   | S     | Air Valve (Not Shown)                   |
|       | 734-1731    | 1   |       | Tire Only, Square Shoulder              |
|       | 741-0487A   | 1   | S     | Plastic Flange (Not Shown)              |
|       | 741-0706    | 1   | S     | Plastic Flange w/ Fitting (Not Shown)   |
| 37    | 731-2290    | 1   | S     | Hub Cap                                 |
| 38    | 783-0653C   | 1   | S     | Steering Support Bracket                |
| 39    | 738-0143    | 1   | /P    | Shoulder Screw, 3/8-16                  |
| 40    | 736-0331    | 1   | /P    | Bell Washer, .39 x 1.13 x .062          |
| 41    | 738-0140    | 1   | S     | Shoulder Screw, .435 x .178, 5/16 x .56 |
| 42    | 736-0242    | 1   | /P    | Bell Washer, .34 x .872                 |
| 43    | 710-0643    | 1   | /P    | Hex Bolt, 5/16-18 X 1                   |

13BZ609H063 (2000)

Page 3 of 23

Axle, Front, Steering Assembly, Wheels, Front

| Ref # | Part Number | Qty | S/P/F | Description                          |
|-------|-------------|-----|-------|--------------------------------------|
| 44    | 731-1291A   | 1   | S     | Pivot Bar End Cap                    |
| 45    | 719-0525B   | 1   | S     | Cast Iron Pivot Bar (If so equipped) |
| 46    | 737-3000    | 1   | S     | Lube Fitting, 3/16 (If so equipped)  |
| ?47   | 710-1260A   | 1   | /P    | Self-tapping Screw, 5/16-18 x .750   |



13BZ609H063 (2000)  
Deck Assembly H 46 Inch

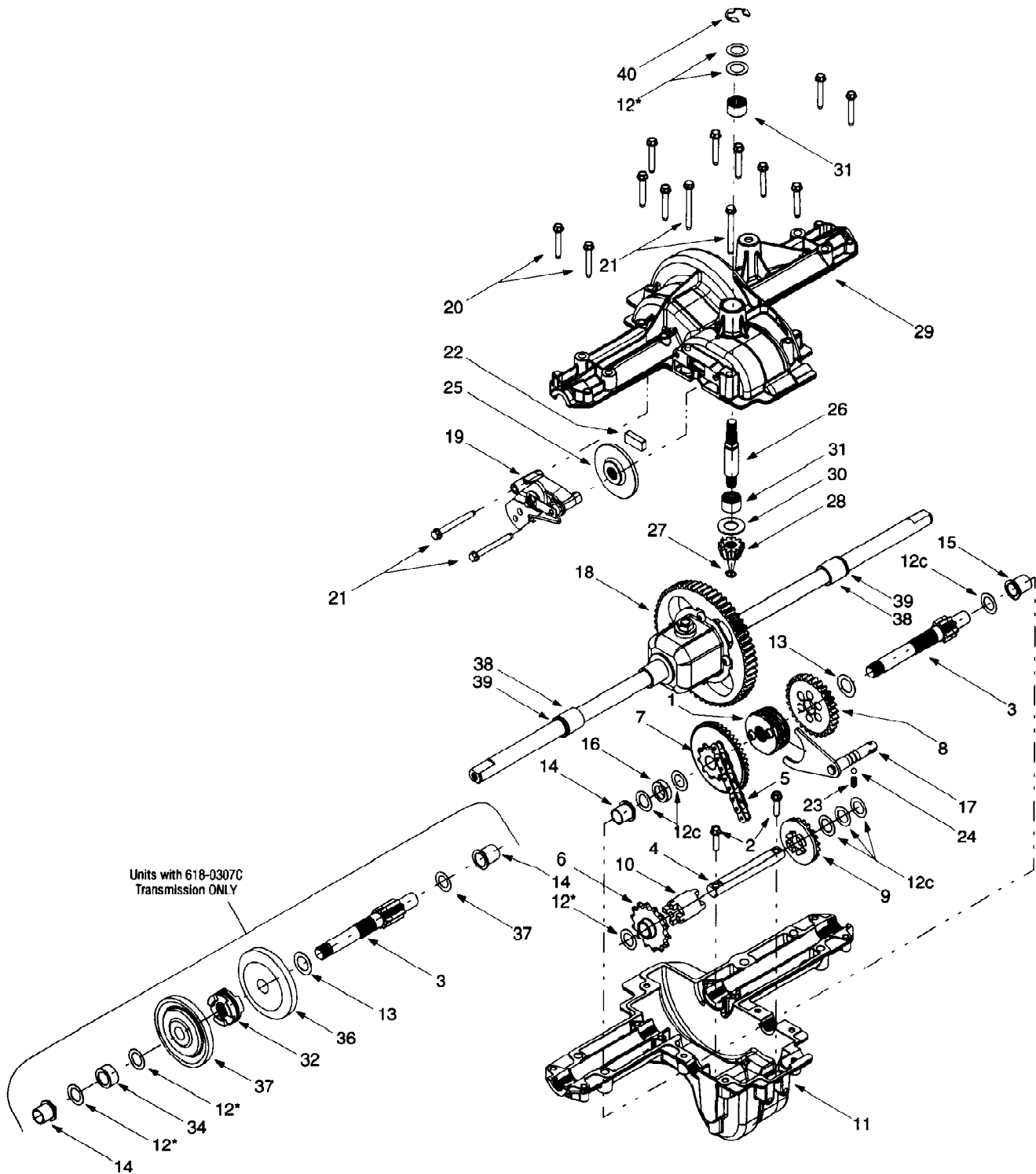
Page 5 of 23

| Ref # | Part Number | Qty | S/P/F | Description   |
|-------|-------------|-----|-------|---|
| 1     | 16606       | 1   | S     | Retainer Hook   |
| 4     | 683-0254    | 1   | S     | Deck Adjustment Bracket w/ Weld Nut                         |
| 7     | 710-0528    | 1   | /P    | Hex Cap Screw, 5/16-18 x 1.25                               |
| 9     | 710-0751    | 1   | /P    | Hex Cap Screw, 1/4-20 x .62                                 |
| 12    | 710-1260A   | 1   | /P    | Self-tapping Screw, 5/16-18 x .75                           |
| 14    | 712-0417A   | 1   | /P    | Hex Flange Nut, 5/8-18                                      |
| 15    | 712-0431    | 1   | S     | Flange Lock Nut, 3/8-16                                     |
| 16    | 712-3004A   | 1   | /P    | Flange Lock Nut, 5/16-18                                    |
| 17    | 712-3006    | 1   | /P    | Hex Nut, 1/4-20   |
| 19    | 712-3027    | 1   | S     | Hex Flange Lock Nut, 1/4-20                                 |
| 21    | 714-0111    | 1   | S     | Cotter Pin, 3/32 x 1.0                                      |
| 22    | 717-1553A   | 1   | S     | Deck Adjustment Gear  |
| 23    | 710-0578    | 1   | /P    | Screw, 1/4-20 x 1.5   |
| 24    | 726-0233    | 1   | /P    | Push Nut. .25 x .5  |
| 25    | 731-1032B   | 1   | S     | Side Discharge Chute Assembly                               |
| 27    | 732-0306    | 1   | S     | Compression Spring, .406 x .531 x 1.75                      |
| 29    | 734-0973    | 1   | /P    | Deck Wheel, 5 x 1.38  |
| 30    | 736-0105    | 1   | /P    | Bell Washer, .401 x .87 x .063                              |
| 31    | 736-0119    | 1   | S     | Lock Washer, 5/16   |
| 32    | 736-0270    | 1   | /P    | Bell Washer, .265 x .75 x .062                              |
| 34    | 736-0416    | 1   |       | Flat Washer, .320 x 3.0 x .125                              |
| 35    | 738-0373    | 1   | S     | Shoulder Screw, .498 x 1.53                                 |
| 38    | 747-1116    | 1   | /P    | Deck Release Pin  |
| 40    | 748-0324    | 1   | S     | Shoulder Spacer   |
| 44    | 712-3087    | 1   | /P    | Win Nut, 1/4-20   |
| 49    | 17982       | 1   | S     | Reinforcement Spindle Plate                                 |
| 50    | 618-0240    | 1   | S     | Single Pully Spindle Assembly, 5.0 Dia<br>Manual PTO uses 2 |
| 51    | 618-0241    | 1   | S     | Double Pulley Spindle Assembly Electric<br>PTO uses 2       |
| 52    | 683-0265C   | 1   | /P    | 46-inch Deck Shell  |
| 53    | 710-0167    | 1   | /P    | Carriage Screw, 1/4-20 x .50                                |
| 54    | 710-0347    | 1   | /P    | Hex Cap Screw, 3/8-16 x 1.75                                |
| 55    | 710-0501    | 1   | /P    | Hex Cap Screw, 1/4-20 x 2.0                                 |
| 56    | 710-0514    | 1   | /P    | Hex Cap Screw, 3/8-16 x 1.0                                 |
| 57    | 710-0599    | 1   | /P    | Self-tapping Screw, 1/4-20 x .5                             |
| 58    | 710-0650    | 1   | /P    | Self-tapping Screw, 15/16-18 x .875                         |
| 59    | 710-0703    | 1   | /P    | Hex Screw, 1/4-20 x .75                                     |
| 60    | 710-0805    | 1   | /P    | Hex Cap Screw, 5/16-18 x 1.5                                |
| 61    | 711-0993    | 1   | S     | Belt Keeper Pin   |
| 62    | 712-0271    | 1   | /P    | Hex Sems Nut, 1/4-20  |
| 63    | 732-0429A   | 1   | S     | Extension Spring, .5 x 3.97                                 |
| 64    | 732-0594A   | 1   | S     | Extension Spring, .91 x 7.33                                |
| 65    | 738-0347    | 1   | S     | Shoulder Spacer, .625 x 1.16                                |
| 66    | 738-0572    | 1   | S     | Shoulder Screw, .374 x 1.16                                 |
| 67    | 742-0611    | 1   | S     | Three-in-one Blade, Star Center, 16.28"                     |
| 68    | 742-0612    | 1   | S     | Three-in-one Blade, Star Center, 14.88"                     |
| 69    | 746-1107    | 1   |       | Bracket Cable, 12"  |
| 70    | 750-0807    | 1   |       | Spacer, .385 x .625 x .70                                   |
| 71    | 754-0349    | 1   | S     | Deck Belt   |
| 72    | 756-0627    | 1   | S     | Flat Idler Pulley, 3.5 OD                                   |
| 73    | 783-0139    | 1   | S     | Idler Bracket   |

13BZ609H063 (2000)  
Deck Assembly H 46 Inch

Page 6 of 23

| Ref # | Part Number | Qty | S/P/F | Description                        |
|-------|-------------|-----|-------|------------------------------------|
| 74    | 783-0141    | 1   |       | Center Deck Skirt                  |
| 75    | 783-0142    | 1   | S     | RH Deck Skirt                      |
| 76    | 783-0747    | 1   | S     | LH Belt Cover                      |
| 77    | 731-1636    | 1   |       | Mulch Plug, 46-inch Decks          |
| 78    | 712-0291    | 1   | S     | Hex Lock Nut, 1/4-20               |
| 79    | 17116       | 1   | S     | Deck Brake Assembly, 46-inch Decks |
| 80    | 783-0805A   | 1   | S     | RH Belt Cover                      |



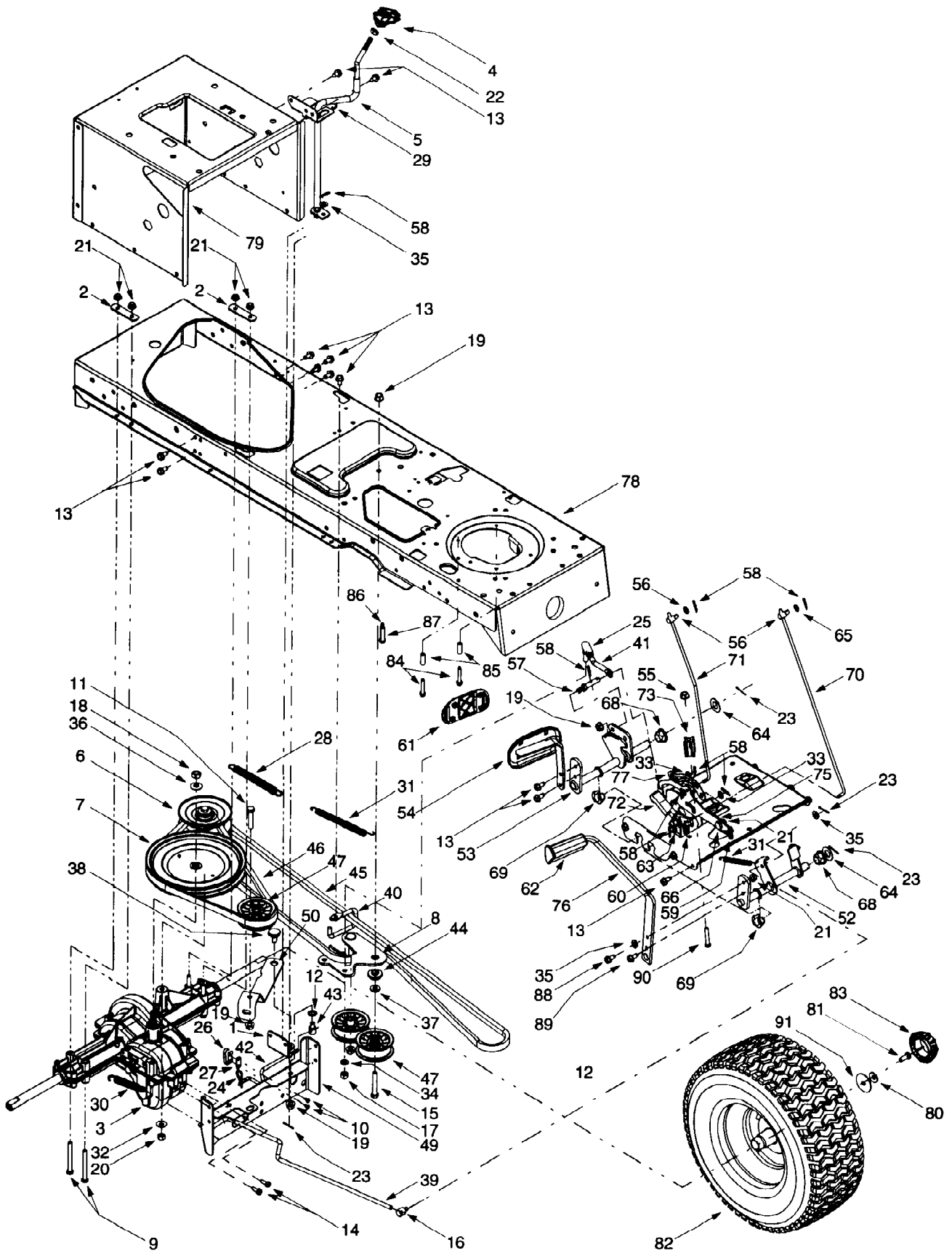
13BZ609H063 (2000)  
Differential Assembly

Page 8 of 23

| Ref # | Part Number | Qty | S/P/F | Description                        |
|-------|-------------|-----|-------|------------------------------------|
| 1     | 618-0318    | 1   | F     | Clutch Collar                      |
| 2     | 710-0788    | 1   | /P    | Self-tapping Screw, 1/4-20 x 1.0   |
| 3     | 711-1274    | 1   |       | Drive Shaft                        |
| 4     | 711-1280    | 1   |       | Counter Shaft                      |
| 5     | 713-0474    | 1   |       | 22-link Chain, #420                |
| 6     | 713-0478    | 1   |       | 14-tooth Sprocket                  |
| 7     | 717-1422    | 1   |       | Sprocket Bevel Gear, 42/10         |
| 8     | 717-1565    | 1   |       | 29-tooth Spur Gear                 |
| 9     | 717-1569    | 1   |       | 20-tooth Spur Gear                 |
| 10    | 718-0652    | 1   |       | Counter Shaft Coupling             |
| 11    | 719-0394    | 1   |       | Lower Housing                      |
| 12    |             | 1   |       | UNKNOWN                            |
| 12A   | 736-0336    | 1   | S/F   | Flat Washer, 5/8 x 1.0 x .030      |
| 12B   | 736-0337    | 1   | S/F   | Flat Washer, 5/8 x 1.0 x .040      |
| 12C   | 736-0349    | 1   | S/F   | Flat Washer, 5/8 x 1.0 x .020      |
| 13    | 736-0519    | 1   | S     | Flat Washer, .70 x 1.125 x .031    |
| 14    | 741-0336    | 1   | S     | Flange Bearing, 5/8 x 3/4 x 3/4    |
| 15    | 741-0337    | 1   | S     | Flange Bearing, 5/8 x 3/4 x 15/16  |
| 16    | 750-1238    | 1   |       | Spacer, .635 x 1.0 x .27           |
| 17    | 611-0112    | 1   | F     | Detent Shaft Assembly              |
|       | 611-0133    | 1   | F     | Detent Shaft Assembly              |
| 18    | 618-0369    | 1   | F     | Differential Assembly              |
|       | 618-0424    | 1   | S/F   | Differential Assembly              |
| 19    | 661-0006    | 1   | S     | Brake Assembly                     |
| 20    | 710-1325    | 1   | /P    | Self-tapping Screw, 1/4-20 x 1.625 |
| 21    | 710-1206    | 1   | /P    | Self-tapping Screw, 1/4-20 x 2.375 |
| 22    | 717-0678    | 1   | S     | Brake Pad                          |
| 23    | 732-0863    | 1   | S     | Compression Spring                 |
| 24    | 741-0862    | 1   | /P    | Detent Ball                        |
| 25    | 761-0202    | 1   |       | Brake Disc                         |
| 26    | 711-1331    | 1   | F     | Input Shaft                        |
|       | 711-1430    | 1   | F     | Input Shaft                        |
| 27    | 716-0385    | 1   | F     | Retaining Ring, .394               |
|       | 716-0108    | 1   | S/F   | Retaining Ring, .437               |
| 28    | 717-1571    | 1   | F     | 12-tooth Bevel Pinion              |
|       | 717-1464    | 1   | F     | 14-tooth Bevel Pinion              |
| 29    | 719-0391A   | 1   | S     | Upper Housing                      |
| 30    | 736-0335    | 1   | S/F   | Thrust Washer, .63 x 1.24 x .062   |
|       | 736-0723    | 1   | S/F   | Thrust Washer, .635 x 1.25 x .04   |
| 31    | 741-0525    | 1   | S     | Needle Bearing, .625 x .875        |
| 32    | 718-0228    | 1   | F     | Clutch Collar                      |
| 33    | 711-1431    | 1   | F     | Drive Shaft                        |
| 34    | 750-1234    | 1   |       | Spacer, .633 x 1.0 x .513          |
| 35    | 717-1362    | 1   | S/F   | 42-tooth Bevel Gear                |
| 36    | 717-1363    | 1   | S/F   | 42-tooth Bevel Gear                |
| 37    | 736-0495    | 1   | S     | Thrust Washer, 1.0 x .632 x .0     |
| 38    | 741-0340    | 1   | S     | Sleeve Bearing, .75 x 1.0 x 1.0    |
| 39    | 721-0338    | 1   | S     | Seal, .75 x 1.0 x .125             |
| 40    | 716-0231    | 1   | S     | E-ring, .75                        |
|       | 618-0307C   | 1   | S     | Transmission Comp.                 |



13BZ609H063 (2000)  
Drive, Controls, Rear Wheels

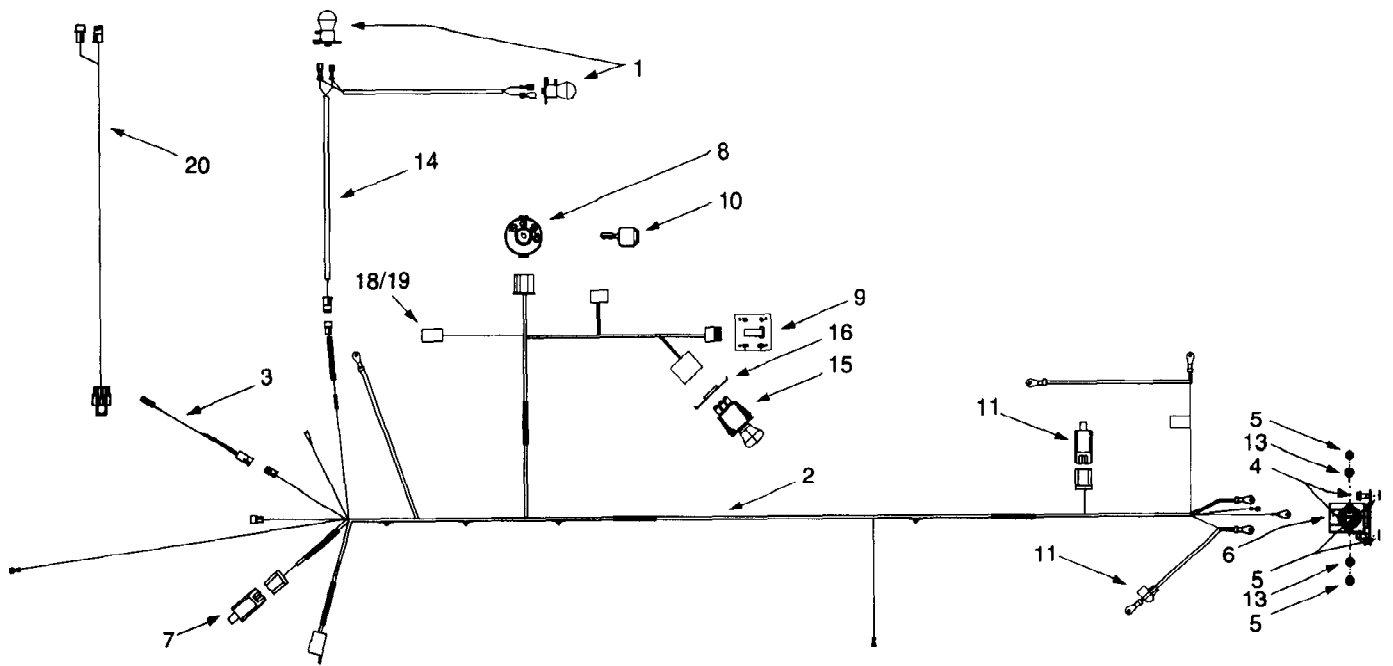


13BZ609H063 (2000)  
Drive, Controls, Rear Wheels

Page 10 of 23

| Ref # | Part Number | Qty | S/P/F | Description  |
|-------|-------------|-----|-------|--|
| 1     | 783-1015    | 1   | S     | Shift Lever Support  |
| 2     | 17840       | 1   | S     | Transaxle Mounting Bracket   |
| 3     | 618-0307C   | 1   | S     | Single-speed Transmission Assembly                                     |
| 4     | 631-0009    | 1   | S     | Shifter Knob   |
| 5     | 647-0045    | 1   |       | Shift Lever  |
| 6     | 656-0048    | 1   | S     | Variable-speed Pulley Assembly   |
| 7     | 656-0051A   | 1   | /P    | Transmission Pulley, 8.5 x .5-36                                       |
| 8     | 683-0251    | 1   |       | Double-idler Bracket   |
| 9     | 710-0189    | 1   | /P    | Hex Cap Screw, 5/16-18 x 3   |
| 10    | 710-0227    | 1   | /P    | Self-tapping Screw, #8-18 x .5   |
| 11    | 710-0347    | 1   | /P    | Hex Cap Screw, 3/8-16 x 1.75   |
| 12    | 736-0272    | 1   | S     | Flat Washer, .51 x 1.0 x .060  |
| 13    | 710-0604A   | 1   | /P    | Self-tapping Screw, 5/16-18 x .625                                     |
| 14    | 710-0642    | 1   | /P    | Self-tapping Screw, 1/4-20 x .75                                       |
| 15    | 710-3011    | 1   | /P    | Hex Cap Screw, 3/8-16 x 2.25   |
| 16    | 711-0677    | 1   | S     | Ferrule, 5/16-18   |
| 17    | 712-0241    | 1   | /P    | Hex Nut, 3/8-24  |
| 18    | 712-0378    | 1   | /P    | Hex Nut, 7/16-20   |
| 19    | 712-0431    | 1   | S     | Flange Lock Nut, 3/8-16  |
| 20    | 712-0798    | 1   | /P    | Hex Nut, 3/8-16  |
| 21    | 712-3004A   | 1   | /P    | Flange Lock Nut, 5/16-18   |
| 22    | 712-3008    | 1   | S     | Jam Nut, 3/8-16  |
| 23    | 714-0111    | 1   | S     | Cotter Pin   |
| 24    | 714-0149B   | 1   | S     | Internal Cotter Pin  |
| 25    | 723-3018    | 1   | S     | Ball Joint   |
| 26    | 725-1644    | 1   |       | Short Spring Switch  |
| 27    | 726-0320    | 1   | S     | Insulator Nut Plate  |
| 28    | 732-0384    | 1   | S     | Extension Spring, .62 Dia. x 6.12                                      |
| 29    | 732-0525    | 1   |       | Compression Spring Clip  |
| 30    | 732-0716    | 1   | S     | Extension Spring, .59 OD x 4   |
| 31    | 732-0963    | 1   |       | Extension Spring, .50 Dia. x 6.37 Hooks to flange, 783-0650, in frame) |
| 32    | 736-0105    | 1   | /P    | Bell Washer, .401 x .87 x .063   |
| 33    | 736-0140    | 1   | S     | Flat Washer, .385 x .62 x .063   |
| 34    | 736-0169    | 1   | S     | Lock Washer, 3/8   |
| 35    | 736-0275    | 1   | S     | Flat Washer, 5/16  |
| 36    | 736-0407    | 1   |       | Bell Washer, .45 x 1.0 x .602  |
| 37    | 736-3010    | 1   |       | Flat Washer, .407 x .812 x .135  |
| 38    | 738-0322    | 1   | S     | Shoulder Screw, .625 x .217  |
| 39    | 747-1122    | 1   |       | Brake Rod  |
| 40    | 747-1123A   | 1   | /P    | Belt Guard   |
| 41    | 747-1127    | 1   |       | Idler Adjustment Rod, 3/8  |
| 42    | 747-1156    | 1   | S     | Shift Rod  |
| 43    | 711-0736    | 1   | /P    | Adjustment Ferrule, 1/4-20 x 1.0                                       |
| 44    | 748-0372    | 1   |       | Shoulder Spacer, .38 ID  |
| 45    | 754-0467    | 1   | S     | Variable-speed Belt  |
| 46    | 754-0468    | 1   | S     | Drive Belt   |
| 47    | 756-0981    | 1   | S     | Flat Idler, 2.75 OD  |
| 48    | 783-0637    | 1   | S     | Shift Lever Support  |
| 49    | 783-0667A   | 1   | S     | Transmission Torque Bracket  |
| 50    | 783-0669    | 1   | S     | Idler Bracket  |
| 51    | 783-0714    | 1   | S     | Adjustable Shift Bracket   |
| 52    | 647-0031    | 1   | S     | Brake Control Assembly   |

| Ref # | Part Number | Qty | S/P/F | Description                             |
|-------|-------------|-----|-------|---|
| 53    | 647-0032    | 1   | S     | Speed Control Assembly                  |
| 54    | 683-0266    | 1   |       | Drive Pedal Assembly                    |
| 55    | 712-0431    | 1   | S     | Flange Lock Nut, 3/8-16                 |
| 56    | 711-0736    | 1   | /P    | Ferrule, 1/4-20                         |
| 57    | 711-1363    | 1   |       | Pin, 3/8-16 x 2.43                      |
| 58    | 714-0104    | 1   | S     | Cotter Pin                              |
| 59    | 732-0437    | 1   |       | Compression Spring, .34 OD x 1.0        |
| 60    | 732-0955    | 1   |       | Extension Spring, .50 OD x 1.41         |
| 61    | 735-0662    | 1   |       | Drive Pedal Pad                         |
| 62    | 735-3049    | 1   | S     | Brake Pedal Pad                         |
| 63    | 736-0140    | 1   | S     | Flat Washer, .281 x .5 x .0625          |
| 64    | 736-0187    | 1   | /P    | Flat Washer, .64 x 1.24 x .06           |
| 65    | 736-0204    | 1   | /P    | Flat Washer, .344 x .062 x .03          |
| 66    | 738-0155    | 1   | S     | Shoulder Screw, .437 x 1.62             |
| 67    | 738-0507B   | 1   | S     | Shoulder Screw, .5 x .434               |
| 68    | 741-0225    | 1   | S     | Hex Flange Bearing                      |
| 69    | 741-3065A   | 1   | S     | Split Hex Flange Bearing                |
| 70    | 747-1137    | 1   |       | Cruise Control Rod                      |
| 71    | 747-1138    | 1   |       | Brake Lock Control Rod                  |
| 72    | 748-0413    | 1   |       | Cruise Latch                            |
| 73    | 748-0415A   | 1   | S     | Spacer, 5/16 x 1.54                     |
| 74    | 783-0653B   | 1   | S     | Steering Support Bracket                |
| 75    | 783-0732    | 1   | S     | Drive Lockout Bracket                   |
| 76    | 783-0773    | 1   |       | Brake Pedal                             |
| 77    | 783-0780    | 1   | S     | Neutral Return Bracket                  |
| 78    | 683-0304    | 1   | S     | Lower Frame Assembly                    |
| 79    | 783-1031    | 1   |       | Hitch Plate                             |
| 80    | 736-0242    | 1   | /P    | Bell Washer, .34 x .872                 |
| 81    | 710-0627    | 1   | /P    | Hex Cap Screw, 5/16-24 x .75            |
| 82    | 634-0177    | 1   | /P    | Wheel Assembly Complete, 20 x 10 x 8    |
|       | 634-0104    | 1   |       | Wheel Assembly Complete, 20 x 8 x 8     |
|       | 634-0077    | 1   |       | Rim Only                                |
|       | 734-0255    | 1   | S     | Air Valve (Not Shown)                   |
|       | 734-1873    | 1   |       | Tire Only, 20 x 10 x 8, Square Shoulder |
|       | 734-1730    | 1   |       | Tire Only, 20 x 8 x 8, Square Shoulder  |
| 83    | 731-2290A   | 1   | /P    | Hub Cap                                 |
| 84    | 710-0778    | 1   | /P    | Self-tapping Screw, 1/4-20 x 1.5        |
| 85    | 750-0556    | 1   |       | Spacer                                  |
| 86    | 710-1026    | 1   | /P    | Self-tapping Screw, 1/4-20 x 1.75       |
| 87    | 750-0768    | 1   |       | Spacer                                  |
| 88    | 710-1260A   | 1   | /P    | Self-tapping Screw, 5/16-18 x .75       |
| 89    | 710-1650    | 1   | /P    | Self-tapping Screw, 5/16-18 x .875      |
| 90    | 710-0859    | 1   | /P    | Hex Cap Screw, 3/8-16 x 2.5             |
| 91    | 736-0430    | 1   | /P    | Flat Washer, .350 x 1.59 x .062         |

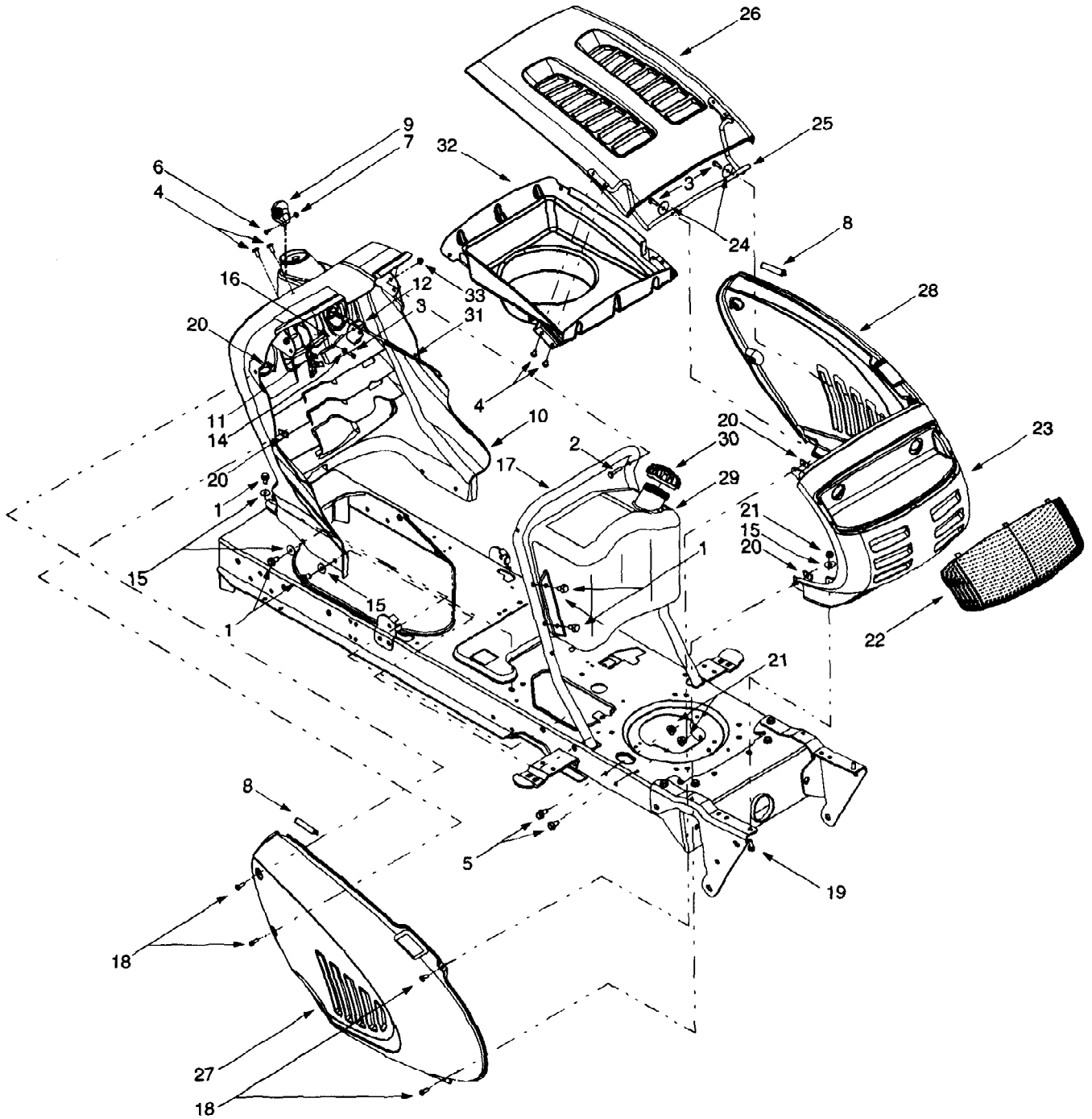


13BZ609H063 (2000)  
Electrical

Page 13 of 23

| Ref # | Part Number | Qty | S/P/F | Description  |
|-------|-------------|-----|-------|--|
| 1     | 625-0051    | 1   | S     | Bulb/Socket Headlight Assembly                     |
| 2     | 629-0939    | 1   |       | Wiring Harness w/o Ref. 14 (Units w/ Electric PTO) |
|       | 629-0944    | 1   | S     | Wiring Harness w/o Ref. 14 (Units w/ Manual PTO)   |
| 3     | 629-0126    | 1   |       | Harness Adapter, #18 x 5                           |
| 4     | 710-0599    | 1   | /P    | Self Tapping Screw, 1/4-20 x .5                    |
| 5     | 712-3006    | 1   | /P    | Hex Nut, 1/4-20                                    |
| 6     | 725-1426    | 1   | S     | Solenoid, 12-volt, 100 Amp                         |
| 7     | 725-1657A   | 1   | S     | Snap Mount Safety Interlock Switch (Brake)         |
| 8     | 725-1741    | 1   | S     | Ignition Switch                                    |
| 9     | 725-1743    | 1   | S     | Systems Indicator Monitor w/ Hour Meter (Shown)    |
|       | 725-1758    | 1   |       | Systems Indicator Monitor w/ Ammeter               |
| 10    | 725-1745    | 1   | S     | Ignition Key                                       |
| 11    | 725-1747    | 1   | S     | Safety Plunger Switch (Seat)                       |
| ?12   | 736-0222    | 1   | S     | External Lock Washer, 1/4                          |
| 13    | 736-0329    | 1   | S     | Lock Washer, 1/4                                   |
| 14    | 629-0309    | 1   | S     | Headlight Harness                                  |
| 15    | 725-1752    | 1   | S/F   | Electric PTO Switch                                |
| 16    | 783-0462    | 1   | /P/F  | Retainer Bracket                                   |
| ?17   | 725-3007A   | 1   | /P    | Positive Terminal Cover (Boot)                     |
| 18    | 729-0357    | 1   |       | Fuse Holder  |
| 19    | 725-1381    | 1   | S     | 20-amp Fuse  |
| 20    | 629-0924    | 1   |       | Harness Adapter (For Kohler Engines)               |

13BZ609H063 (2000)  
Hood Style 9 & Fuel Tank

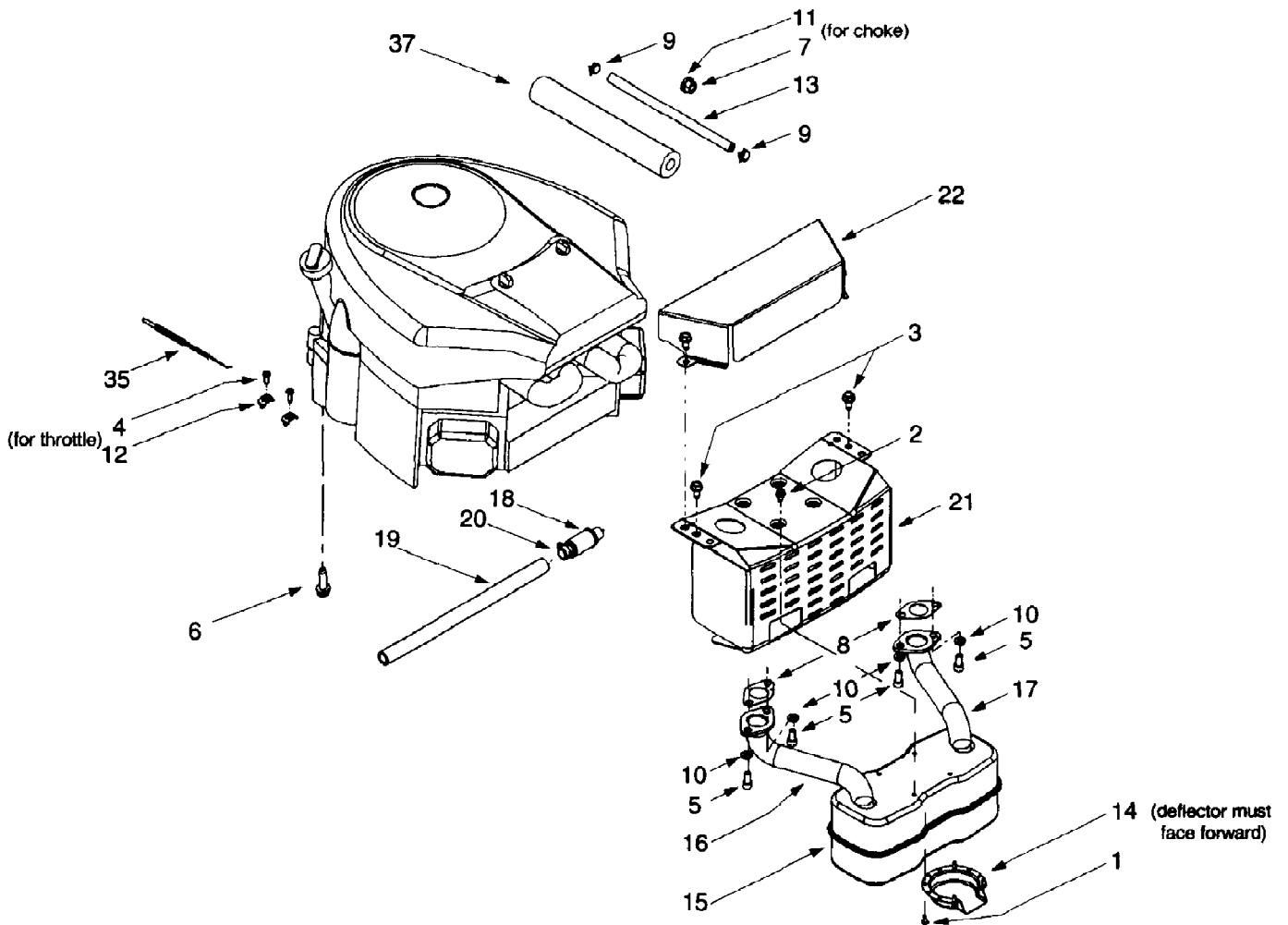


13BZ609H063 (2000)  
Hood Style 9 & Fuel Tank

Page 15 of 23

| Ref # | Part Number | Qty | S/P/F | Description   |
|-------|-------------|-----|-------|---|
| 1     | 710-0604A   | 1   | /P    | Self-tapping Screw, 5/16-18 x .625                  |
| 2     | 710-0788    | 1   | /P    | Self-tapping Screw, 1/4-20 x 1.0                    |
| 3     | 710-0895    | 1   |       | Self-tapping Screw, 1/4-15 x .75                    |
| 4     | 710-1017    | 1   | /P    | Torx Self-tapping Screw, 5/16-18 x .625             |
| 5     | 710-1238    | 1   | /P    | Screw, 5/16-18 x .875 (Grade 5)                     |
| 6     | 710-3217    | 1   | /P    | Torx Screw, #8-32 x .375                            |
| 7     | 712-0142    | 1   | /P    | Hex Nut, 8-32                                       |
| 8     | 731-0511-5  | 1   |       | Five-inch Trim Strip                                |
| 9     | 731-1857    | 1   |       | Throttle Control Lever                              |
| 10    | 731-2122    | 1   | S     | Dash Panel  |
| 11    | 731-2228    | 1   |       | Plastic Plug  |
| 12    | 731-2227    | 1   |       | Parking Brake Button                                |
| ?13   | 736-0119    | 1   | S     | Lock Washer, 5/16                                   |
| 14    | 736-0142    | 1   | S     | Flat Washer, .281 x .5 x .063                       |
| 15    | 736-3078    | 1   | /P    | Flat Washer, .349 x 1.0 x .063                      |
| 16    | 747-1196    | 1   |       | Pivot Rod   |
| 17    | 749-1087    | 1   | S     | Dash Support Tube                                   |
| 18    | 710-0924    | 1   | /P    | Pan Phillips Screw, 1/4-20 x .75                    |
| 19    | 710-3008    | 1   | /P    | Hex Cap Screw, 5/16-18 x .75                        |
| 20    | 712-0292    | 1   | /P    | U-type Speed Nut, 1/4-20                            |
| 21    | 712-3004A   | 1   | /P    | Flange Lock Nut, 5/16-18                            |
| 22    | 731-2118    | 1   | S     | Lens, 9-style                                       |
| 23    | 731-2119    | 1   | S     | Grille, 9-style                                     |
| 24    | 736-0211    | 1   | S     | Flat Washer, .285 x 1.25 x .08                      |
| 25    | 747-1162    | 1   |       | Hood Hinge Rod                                      |
| 26    | 783-0783    | 1   | S     | Hood, 9-style                                       |
| 27    | 783-0784    | 1   |       | RH Side Pane, 9-style                               |
| 28    | 783-0785    | 1   |       | LH Side Panel, 9-style                              |
| 29    | 751-0659    | 1   | S     | Two-gallon Fuel Tank (Shown)                        |
|       | 751-0658A   | 1   |       | Three-gallon Fuel Tank                              |
| 30    | 751-0603    | 1   | S     | Fuel Cap (Fits Either Tank)                         |
| 31    | 746-1085    | 1   | S/F   | Choke Knob/Cable Assembly (Units w/ B&S Intek Twin) |
|       | 746-1088    | 1   | S/F   | Choke Knob/Cable Assembly (Units w/ Kohler Single)  |
| 32    | 731-2269    | 1   | F     | Hood Plenum (Units w/Kohler Single)                 |
|       | 731-2270    | 1   | S/F   | Hood Plenum (Units w/ B&S Intek Twin)               |
| 33    | 712-3027    | 1   | S     | Hex Flange Lock Nut, 1/4-20                         |

13BZ609H063 (2000)  
Muffler & Engine Accessories, B&S Intek Twin



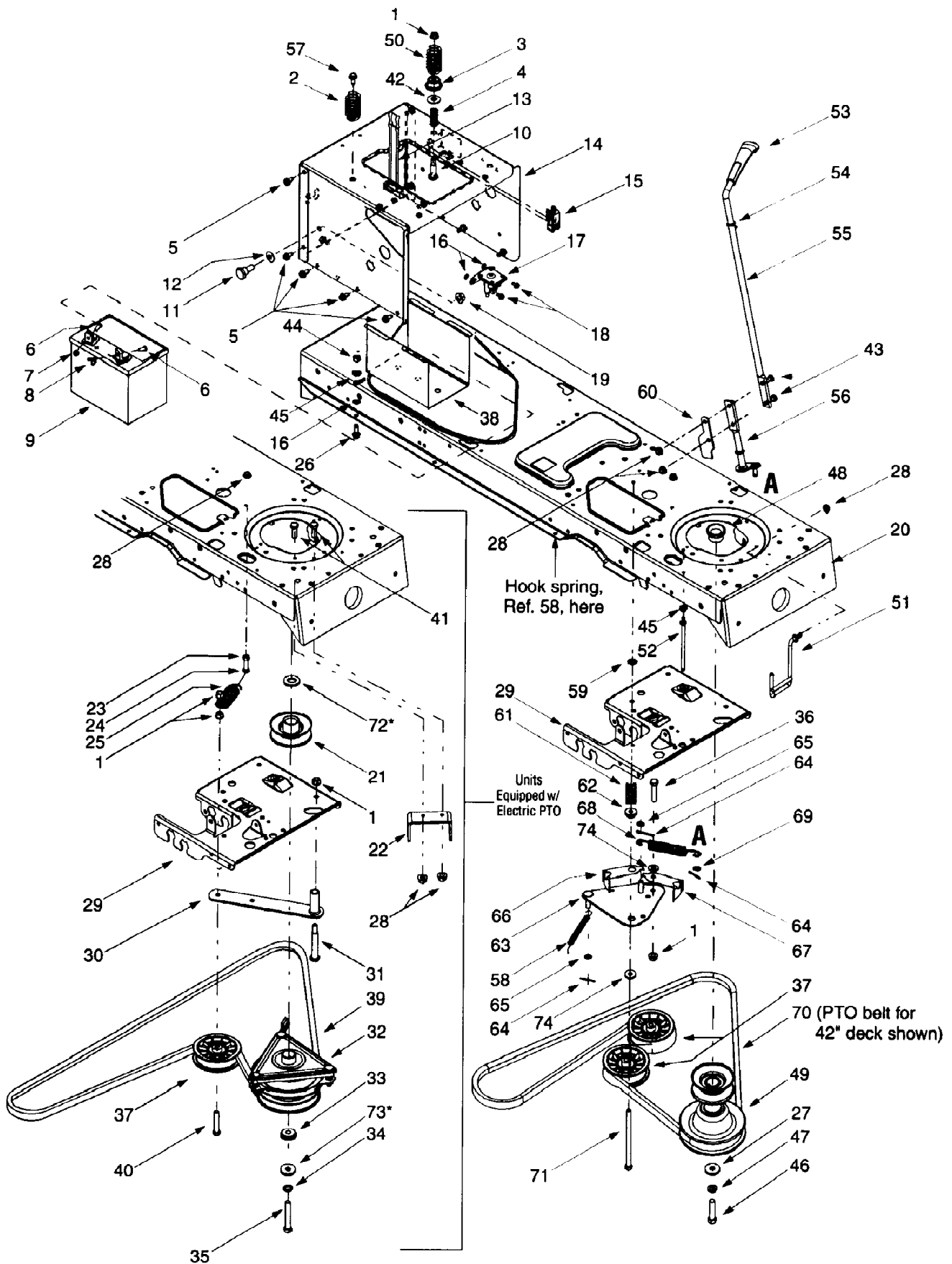


13BZ609H063 (2000)

Page 17 of 23

Muffler &amp; Engine Accessories, B&amp;S Intek Twin

| Ref # | Part Number | Qty | S/P/F | Description                        |
|-------|-------------|-----|-------|------------------------------------|
| 1     | 710-0148    | 1   | /P    | Self-tapping Screw, #8-32 x .375   |
| 2     | 710-0599    | 1   | /P    | Self-tapping Screw, 1/4-20 x .5    |
| 3     | 710-0604A   | 1   | /P    | Self-tapping Screw, 5/16-18 x .625 |
| 4     | 710-1237    | 1   |       | Screw, #10-32 x .625               |
| 5     | 710-1314    | 1   | S     | Socket Cap Screw, 5/16-18 x .625   |
| 6     | 710-1315    | 1   | /P    | Self-tapping Screw, 3/8-16 x 1.25  |
| 7     | 712-3017    | 1   | S     | Hex Nut, 3/8-16                    |
| 8     | 721-0460    | 1   |       | Exhaust Gasket (Intek Twin)        |
| 9     | 726-0205    | 1   | /P    | Hose Clamp                         |
| 10    | 736-0119    | 1   | S     | Lock Washer, 5/16                  |
| 11    | 736-0300    | 1   | S     | Flat Washer, .406 x .875 x .059    |
| 12    | 751B221535  | 1   | /P    | Casing Clamp                       |
| 13    | 751-0535    | 1   |       | Fuel Line Hose                     |
| 14    | 751-0564    | 1   | S     | Muffler Deflector                  |
| 15    | 751-0616    | 1   | S     | Muffler, Twin Inlet                |
| 16    | 751-0650    | 1   | S     | RH Exhaust Pipe (Intek Twin)       |
| 17    | 751-0651    | 1   | S     | LH Exhaust Pipe (Intek Twin)       |
| 18    | 751-3140    | 1   | S     | Oil Drain Valve                    |
| 19    | 751-3141    | 1   | S     | Oil Drain Hose                     |
| 20    | 751-3142    | 1   |       | Oil Drain Cap                      |
| 21    | 783-0615    | 1   | S     | Muffler Heat Shield                |
| 22    | 783-0625B   | 1   | S     | Engine Heat Shield                 |
| 35    | 746-1086    | 1   | S     | Throttle Cable (Intek Twin)        |
| 37    | 722-0263    | 1   | S     | Foam (Fits over fuel line)         |



13BZ609H063 (2000)

Page 19 of 23

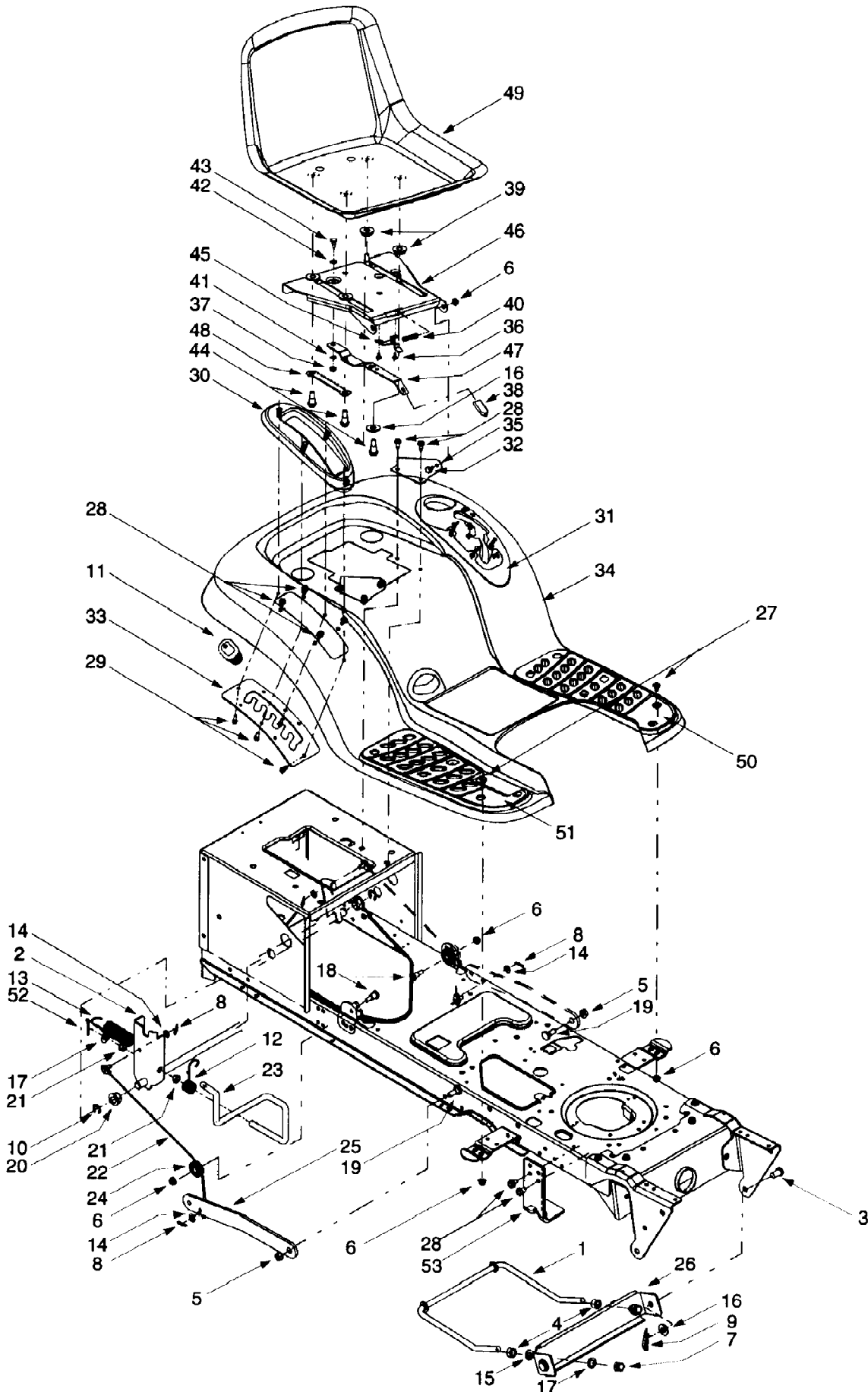
PTO Drive, Battery, Frame Components

| Ref # | Part Number | Qty | S/P/F | Description                              |
|-------|-------------|-----|-------|--|
| 1     | 712-0431    | 1   | S     | Flange Lock Nut,3/8-16                   |
| 2     | 732-0996    | 1   |       | Compression Spring, 1.31 x 3.0           |
| 3     | 783-0733    | 1   |       | Spacer Cup, 1.5 OD                       |
| 4     | 732-0997    | 1   |       | Compression Spring, .66 OD x 1.5         |
| 5     | 710-0604A   | 1   | /P    | Self-tapping Screw, 5/16-18 x .625       |
| 6     | 710-0751    | 1   | /P    | Hex Cap Screw, 1/4-20 x .62              |
| 7     | 712-0271    | 1   | /P    | Hex Sems Nut, 1/4-20                     |
| 8     | 712-3044    | 1   |       | Wing Nut, 1/4-20                         |
| 9     | 725-1706    | 1   | S     | 12-volt Battery, 270 CCA                 |
| 10    | 738-1014    | 1   | /P    | Shoulder Screw, .5 x 1.25, 3/8-16        |
| 11    | 738-1020    | 1   |       | Shoulder Screw, .625 x .5, 7/16-20       |
| 12    | 736-0407    | 1   |       | Bell Washer, .45 x 1.0 x .062            |
| 13    | 723-0444    | 1   |       | Battery Strap                            |
| 14    | 783-1031    | 1   |       | Hitch Plate                              |
| 15    | 725-1747    | 1   | S     | Safety Interlock Plunger Switch          |
| 16    | 736-0222    | 1   | S     | Lock Washer, 1/4                         |
| 17    | 725-1426    | 1   | S     | Solenoid, 12-Volt, 100 Amp               |
| 18    | 710-0599    | 1   | /P    | Self-tapping Screw, 1/4-20 x .5          |
| 19    | 712-0459    | 1   | /P    | Flange Lock Nut, 7/16-20                 |
| 20    | 683-0304    | 1   | S     | Lower Frame Assembly                     |
| 21    | 756-0639A   | 1   | /P    | Engine Pulley, 3.56 OD                   |
| 22    | 783-1003    | 1   | S     | Electric Clutch Anti-rotation bracket    |
| 23    | 712-3010    | 1   | S     | Hex Nut, 5/16-18                         |
| 24    | 710-3180    | 1   | /P    | Hex Cap Screw, 5/16-18 x 1.75 (Grade 5)  |
| 25    | 732-0978    | 1   |       | Extension Spring, 1.2 OD x 3.638         |
| 26    | 710-0642    | 1   | /P    | Self-tapping Screw, 1/4-20 x .750        |
| 27    | 736-0322    | 1   | /P    | Flat Washer,.45 x 1.25x.164              |
| 28    | 712-3004A   | 1   | /P    | Flange Lock Nut, 5/16-18                 |
| 29    | 783-0653C   | 1   | S     | Steering Support Bracket                 |
| 30    | 683-0301    | 1   | S     | Idler Bracket Assembly (42-inch decks)   |
| 30    | 683-0297    | 1   | S     | Idler Bracket Assembly (46-inch decks)   |
| 31    | 738-0982    | 1   |       | Shoulder Screw, .498 x 3.245, 3/8-16     |
| 32    | 717-1708    | 1   | S     | Electric PTO Clutch                      |
| 33    | 738-0785    | 1   | S     | Shoulder Spacer, 1.38 x .445 x .36       |
| 34    | 736-0171    | 1   | S     | Lock Washer, 7/16                        |
| 35    | 710-3157    | 1   | S     | Hex Cap Screw, 7/16-20 x 3.25 (Grade 5)  |
| 36    | 710-3011    | 1   | /P    | Hex Cap Screw, 3/8-16 x 2.25 (Grade 5)   |
| 37    | 756-0627    | 1   | S     | Flat Idler Pulley, 3.5 OD                |
| 38    | 783-0349    | 1   |       | Battery Tray                             |
| 39    | 754-0472    | 1   | S     | PTO Belt (42-inch Decks w/ Electric PTO) |
| 39    | 754-0474    | 1   | S     | PTO Belt (46-inch Decks w/ Electric PTO) |
| 40    | 710-3144    | 1   | /P    | Hex Cap Screw, 3/8-16 x 2.0              |
| 41    | 710-3025    | 1   | /P    | Hex Cap Screw, 5/16-18 x .625            |
| 42    | 736-0105    | 1   | /P    | Bell Washer, .401 x .870 x .063          |
| 43    | 710-0376    | 1   | /P    | Hex Cap Screw, 5/16-18 x 1.0             |
| 44    | 712-3006    | 1   | /P    | Hex Nut, 1/4-20                          |
| 45    | 736-0119    | 1   | S     | Lock Washer, 5/16                        |
| 46    | 710-3029    | 1   | /P    | Hex Cap Screw, 7/16-20 x 1.25            |
| 47    | 736-0171    | 1   | S     | Lock Washer, 7/16                        |
| 48    | 750-0956    | 1   |       | Spacer                                   |
| 49    | 756-0982A   | 1   | S     | Engine Pulley                            |
| 50    | 732-0735    | 1   | /P    | Extension Spring, 1.318 x 2.37           |
| 51    | 647-0053    | 1   | S     | Belt Guard                               |

13BZ609H063 (2000)  
PTO Drive, Battery, Frame Components

Page 20 of 23

| Ref # | Part Number | Qty | S/P/F | Description  |
|-------|-------------|-----|-------|--|
| 52    | 711-1044    | 1   | S     | Keeper Pin   |
| 53    | 731-2111A   | 1   | S     | PTO Knob   |
| 54    | 736-0108    | 1   | S     | Flat Washer, .510 x .750 x .033                            |
| 55    | 747-1112A   | 1   | S     | PTO Handle   |
| 56    | 647-0046    | 1   | S     | PTO Lever  |
| 57    | 710-0650    | 1   | /P    | Self-tapping Screw, 15/16-18 x .875                        |
| 58    | 732-0995    | 1   |       | Extension Spring, .5 x 6.0                                 |
| 59    | 712-0229    | 1   |       | Push Nut, 3/8  |
| 60    | 783-0744A   | 1   |       | Engagement Stop Bracket                                    |
| 61    | 748-0415A   | 1   | S     | Spacer, 3/8 x 1.54   |
| 62    | 738-0372    | 1   | S     | Shoulder Spacer  |
| 63    | 683-0302    | 1   | /P    | PTO Engagement Plate                                       |
| 64    | 714-0470    | 1   | S     | Cotter Pin, 1/8 x 1.25                                     |
| 65    | 736-0140    | 1   | S     | Flat Washer, .385 x .62 x .063                             |
| 66    | 732-0991    | 1   | S     | Belt Guard   |
| 67    | 732-0990    | 1   |       | Belt Guard   |
| 68    | 732-0944    | 1   |       | Extension Spring, .75 x 6.75 LG                            |
| 69    | 736-0275    | 1   | S     | Flat Washer, .344 x .688 x .065 Manual PTO                 |
| 70    | 754-0485    | 1   | S     | PTO Belt (42-inch Decks w/ Manual PTO) Single Belt, Design |
| 70    | 754-0497    | 1   | S     | PTO Belt (42-inch Decks w/ Manual PTO) 2 Belt Design       |
| 70    | 754-0486    | 1   | S     | PTO Belt (46-inch Decks w/ Manual PTO)                     |
| 71    | 710-0831    | 1   |       | Hex Cap Screw, 3/8-16 x 5.5                                |
| 72    | 736-0277    | 1   |       | Flat Washer, 1.031 x 1.62 x .095                           |
| 73    | 736-0322    | 1   | /P    | Flat Washer, .45 x 1.25 x .17                              |
| 74    | 736-3010    | 1   |       | Flat Washer, .407 x .812 x .135                            |
| 75    | 736-0280    | 1   |       | Flat Washer, .395 x 1.12 x .10                             |



13BZ609H063 (2000)  
Seat, Fender, Frame Components

Page 22 of 23

| Ref # | Part Number | Qty | S/P/F | Description   |
|-------|-------------|-----|-------|---|
| 1     | 747-1130    | 1   | S     | Deck Stabilizer Rod   |
| 2     | 683-0197    | 1   | S     | Lift Shaft Assembly   |
| 3     | 711-0332    | 1   | S     | Clevis Pin, .5 x .78  |
| 4     | 712-0206    | 1   | S     | Hex Nut, 1/2-13   |
| 5     | 712-0431    | 1   | S     | Flange Lock Nut, 3/8-16   |
| 6     | 712-3004A   | 1   | /P    | Flange Lock Nut, 5/16-18  |
| 7     | 712-3083    | 1   | /P    | Hex Nut, 1/2-13   |
| 8     | 714-0104    | 1   | S     | Internal Cotter Pin   |
| 9     | 714-0145    | 1   | S     | Internal Cotter Pin   |
| 10    | 716-0106    | 1   | /P    | E-ring  |
| 11    | 720-0311    | 1   |       | Handle Grip   |
| 12    | 732-0874    | 1   | /P    | Torsion Spring  |
| 13    | 732-0934    | 1   |       | Lift-assist Spring, 1.15 x 5.99 (Found on Units w/46-inch Decks Only) |
| 14    | 736-0275    | 1   | S     | Flat Washer, 5/16   |
| 15    | 736-0921    | 1   | S     | Lock Washer, 1/2  |
| 16    | 736-3019    | 1   |       | Flat Washer, .31 x 1.062 x .134                                       |
| 17    | 736-3084    | 1   | /P    | Flat Washer, .51 x 1.12 x .06   |
| 18    | 738-0138    | 1   | S     | Hex Cap Screw, 5/16-18 x .62  |
| 19    | 738-0143    | 1   | /P    | Shoulder Screw, 3/8-16  |
| 20    | 741-0225    | 1   | S     | Hex Flange Bearing  |
| 21    | 741-0715    | 1   | S     | Snap Flange Bearing   |
| 22    | 746-0968    | 1   |       | Lift Cable, 16.16   |
| 23    | 747-1111    | 1   | S     | Lift Handle   |
| 24    | 756-1154    | 1   |       | Roller Pulley   |
| 25    | 783-0678    | 1   | S     | Arm Lift  |
| 26    | 783-0720A   | 1   | S     | Deck Stabilizer Bracket   |
| 27    | 710-0260    | 1   | S     | Carriage Bolt, 5/16 x .62   |
| 28    | 710-0604A   | 1   | /P    | Self-tapping Screw, 5/16-18 x .625                                    |
| 29    | 710-0895    | 1   |       | Self-tapping Screw, 1/4-15 x .75                                      |
| 30    | 731-1990    | 1   |       | Lift Lever Cover  |
| 31    | 731-2104A   | 1   | S     | Shift Lever Cover w/ Cup Holder                                       |
| 32    | 738-0155    | 1   | S     | Shoulder Screw, .437 x 1.62   |
| 33    | 783-0677    | 1   | S     | Lift Adjustment Bracket   |
| 34    | 783-0685A   | 1   | S     | Fender  |
| 35    | 783-0715    | 1   | S     | Seat Mounting Bracket   |
| 36    | 710-1268    | 1   | /P    | Screw, #10-16 x .375  |
| 37    | 712-3027    | 1   | S     | Hex Flange Lock Nut, 1/4-20   |
| 38    | 720-0309A   | 1   | /P    | Seat Adjuster Grip  |
| 39    | 731-1989    | 1   |       | Spacer  |
| 40    | 732-0499    | 1   |       | Compression Spring, .41 x 1.5   |
| 41    | 736-0175    | 1   | S     | Spring Washer, .265 x .562 x .025                                     |
| 42    | 736-0204    | 1   | /P    | Flat Washer, .344 x .62 x .03   |
| 43    | 738-0137A   | 1   | S     | Shoulder Screw, .340 x .285, 1/4-20                                   |
| 44    | 738-1007    | 1   |       | Shoulder Screw, .50 x .50, 3/8-16                                     |
| 45    | 783-0611    | 1   |       | Seat Stop   |
| 46    | 783-0738    | 1   | S     | Seat Pivot Bracket  |
| 47    | 783-0739    | 1   |       | Seat Adjustment lever   |
| 48    | 783-0753    | 1   |       | Seat Adjustment Selector  |
| 49    | 757-0365A   | 1   | S     | Seat, Radiant Yellow, Medium Back                                     |
|       | 757-0372    | 1   | S     | Seat, Radiant Yellow, High Back w/ Holes                              |
| 50    | 735-0657    | 1   |       | LH Foot Pad   |
| 51    | 735-0656    | 1   |       | RH Foot Pad   |

13BZ609H063 (2000)  
Seat, Fender, Frame Components

Page 23 of 23

| Ref # | Part Number | Qty | S/P/F | Description                |
|-------|-------------|-----|-------|----------------------------|
|       | 726-3046    | 1   | /P    | Foot Pad Clips (Not Shown) |
| 52    | 714-0111    | 1   | S     | Cotter Pin                 |
| 53    | 783-0891A   | 1   | /P    | Deck Stop                  |