

13BX60TG711 Super Bronco (2007)
Deck Assembly 42 Inch

Page 2 of 24

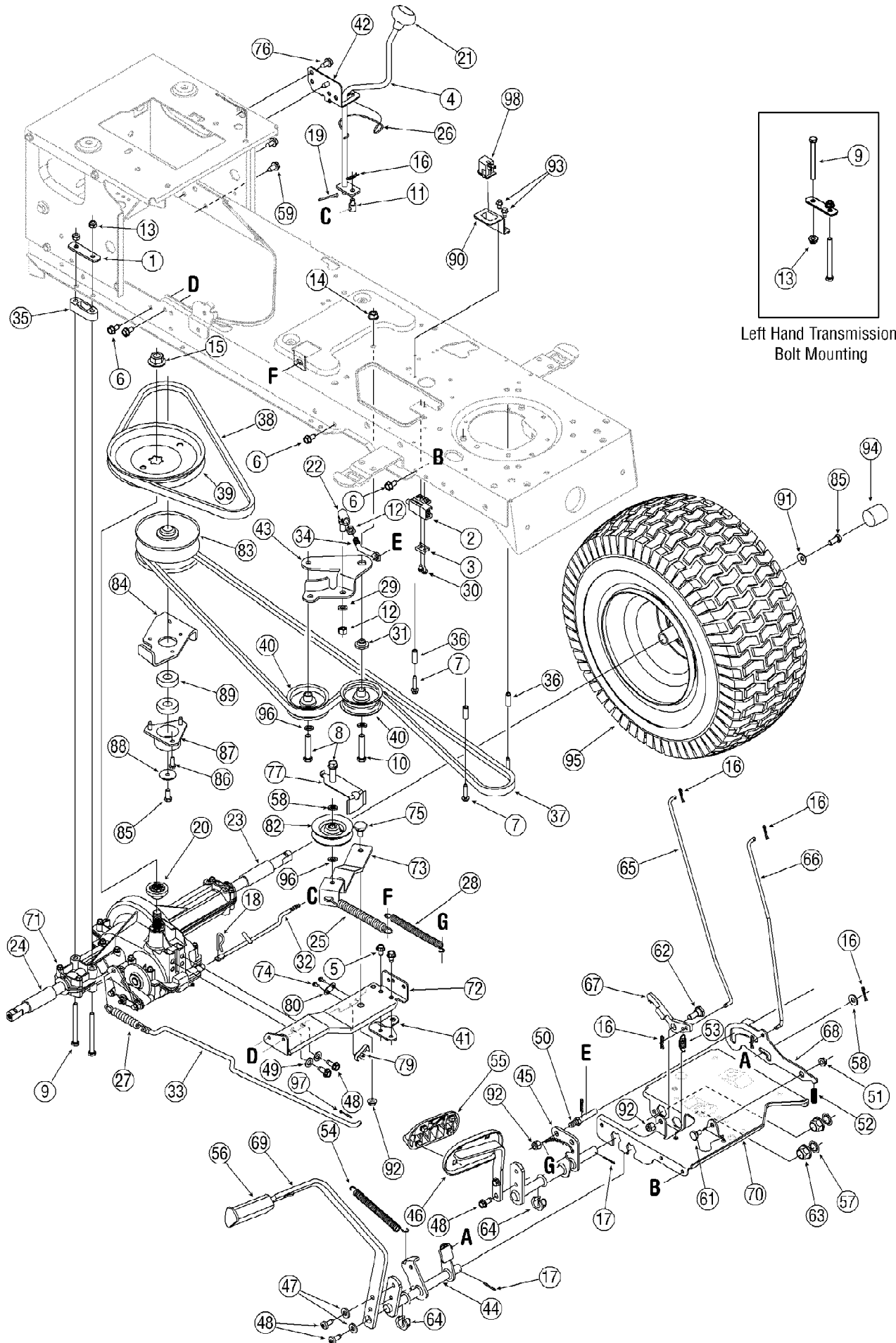
Ref #	Part Number	Qty	S/P/F	Description
1	618-04456	1	S	Spindle Assembly Pulley 6.3 Dia
1	712-0417A	1	/P	Flange Nut:5/8-18 Not shown
1	938-04241	1	/P	Spindle Shaft:5.50 LG Not shown
1	941-0919	1	/P	Ball Bearing:20x47x14:62 Not shown
1	750-04739	1		Spacer:.820x 1.150 x .480 Not shown
1	750-1000	1		Spacer:.80 x 1.10 x 1.322 Not shown
1	956-1227	1	/P	Deck Pulley:6.3 Dia Not shown
2	683-0254B	1	/P	Deck Hanger Bracket Assy. LH
3	683-04138B	1	/P	Brake Assembly, 42" Deck
4	683-04167	1	S	Brake Assembly, 42" Deck
5	683-04261	1	S	Deck Assembly 42" W/Whl Brkt.
6	710-0216	1	/P	Screw, 3/8-16 x .75 GR5 STD
7	710-0347	1	/P	Screw, 3/8-16 x 1.75 GR5 STD
8	710-0510	1	/P	Screw, 7/16-20 x 3.00 GR5 STD
9	710-0528	1	/P	Screw, 5/16-18 x 1.25 GR5 STD
10	710-0604A	1	/P	Screw, 5/16-18 x 0.625
11	710-0623	1	/P	Screw, 3/8-16 x 0.750
12	710-0653	1	/P	Screw, 1/4-20 x 0.375
13	710-0726	1	/P	Screw, 5/16-12 x 0.750
14	710-0778	1	/P	Screw, 1/4-20 x 1.500
15	710-1260A	1	/P	Screw, 5/16-18 x 0.750
16	710-3005	1	/P	Screw, 3/8-16 x 1.25
17	710-3015	1	/P	Screw, 1/4-20 x .75
18	710-3144	1	/P	Screw, 3/8-16 x 2.00
19	712-0206	1	S	Hex Nut, 1/2-13
20	712-04063	1	/P	Flange Lock Nut, 5/16-18
21	712-04064	1	/P	Flange Lock Nut, 1/4-20
22	712-04065	1	/P	Flange Lock Nut, 3/8-16
23	712-0417A	1	/P	Flange Nut, 5/8-18
24	712-0459	1	/P	Flange Lock Nut, 7/16-20
25	712-0641	1	S	Hex Nut, M16-1.5 DIN 936
26	712-3006	1	/P	Hex Nut, 1/4-20
27	712-3083	1	/P	Hex Lock Nut, 1/2-13
28	714-0104	1	S	Cotter Pin, .072 Dia. x 1.13 Lg.
29	714-0470	1	S	Cotter Pin, 1/8 x 1.25
30	717-04074	1	S	Deck Gear Adjustment
31	719-04233	1	S	Idler Bracket, Cast 42" DECK
32	721-04041	1	S	Water Nozzle Adapter
33	726-0233	1	/P	Push Nut, .25 ID x .50 OD
34	732-0306A	1	S	Compression Spring .531 x 1.75
35	732-04287	1		Extension Spring, .500 x 6.375
36	732-0459C	1	/P	Extension Spring, .94 x 6.74
37	732-0470A	1	S	Extension Spring, .53 x 4.75
38	734-0973	1	/P	Deck Wheel, 5.0 x 1.38
39	735-0271A	1	/P	Bumper, .62 Dia. x .3
40	736-0119	1	S	Lock Washer, 5/16
41	736-0173	1	/P	Flat Washer, .28 x .74 x .063
42	736-0225	1	/P	Lock Washer, 5/8
43	736-0270	1	/P	Bell Washer, .265 x .75 x .062
44	736-0300	1	S	Flat Washer, .406 x .875 x .059
45	736-0322	1	/P	Flat Washer, .450 x 1.250 x .164
46	737-04003C	1	S	Deck Water Nozzle
47	738-0373	1	S	Shoulder Bolt, .496 x 1.525

13BX60TG711 Super Bronco (2007)
Deck Assembly 42 Inch

Page 3 of 24

Ref #	Part Number	Qty	S/P/F	Description
48	738-04162A	1	/P	Shoulder Spacer, .8840 x .190
49	738-04166	1		Shoulder Spacer, .5000 X .1475
50	738-04272	1		Shoulder Screw, .374 x 1.16
51	742-0616A	1	S	3 in 1 Star Blade 21.23"LG
52	747-04269A	1	/P	Adjustable Front Deck Rod,
53	747-04307	1	S	Belt-Keeper Rod, 42"
54	747-04501	1		Brake Control Ride, 42"
55	747-04530	1		Belt Keeper Rod, 42" IDLER
56	747-1116	1	/P	Deck Release Handle Rod
57	748-04069	1		Deck Lift Pivot Cup
58	750-04637A	1	/P	Spacer, .455 X .697 X 1.585
59	750-0566A	1	/P	Spacer, .260 x .372 x 1.030
60	754-04045	1	S	V-Belt
61	756-04129	1	S	Idler Pulley, 4.25"DIA
62	783-04327B	1		Belt Covers, 6.00 DIA
63	783-04740	1		Cable Deck Engage Bracket
64	783-05490	1		Support Bracket
65	736-0187	1	/P	Flat Washer, .64 x 1.24 x .06
66	738-04146	1		Bolt Plug, M16 x 1.5
67	710-0134	1	/P	Carriage Screw, 1/4-20 x .62
68	710-0599	1	/P	Screw, 1/4-20, 0.500
69	712-3087	1	/P	Wing Nut, 1/4-20
70	731-2363	1	/P	Mulch Plug
71	783-1146A	1	S	Deck Skirt, 42" Deck
72	731-1032B	1	S	Discharge Chute Assembly

13BX60TG711 Super Bronco (2007)
Drive Assembly



13BX60TG711 Super Bronco (2007)
Drive Assembly

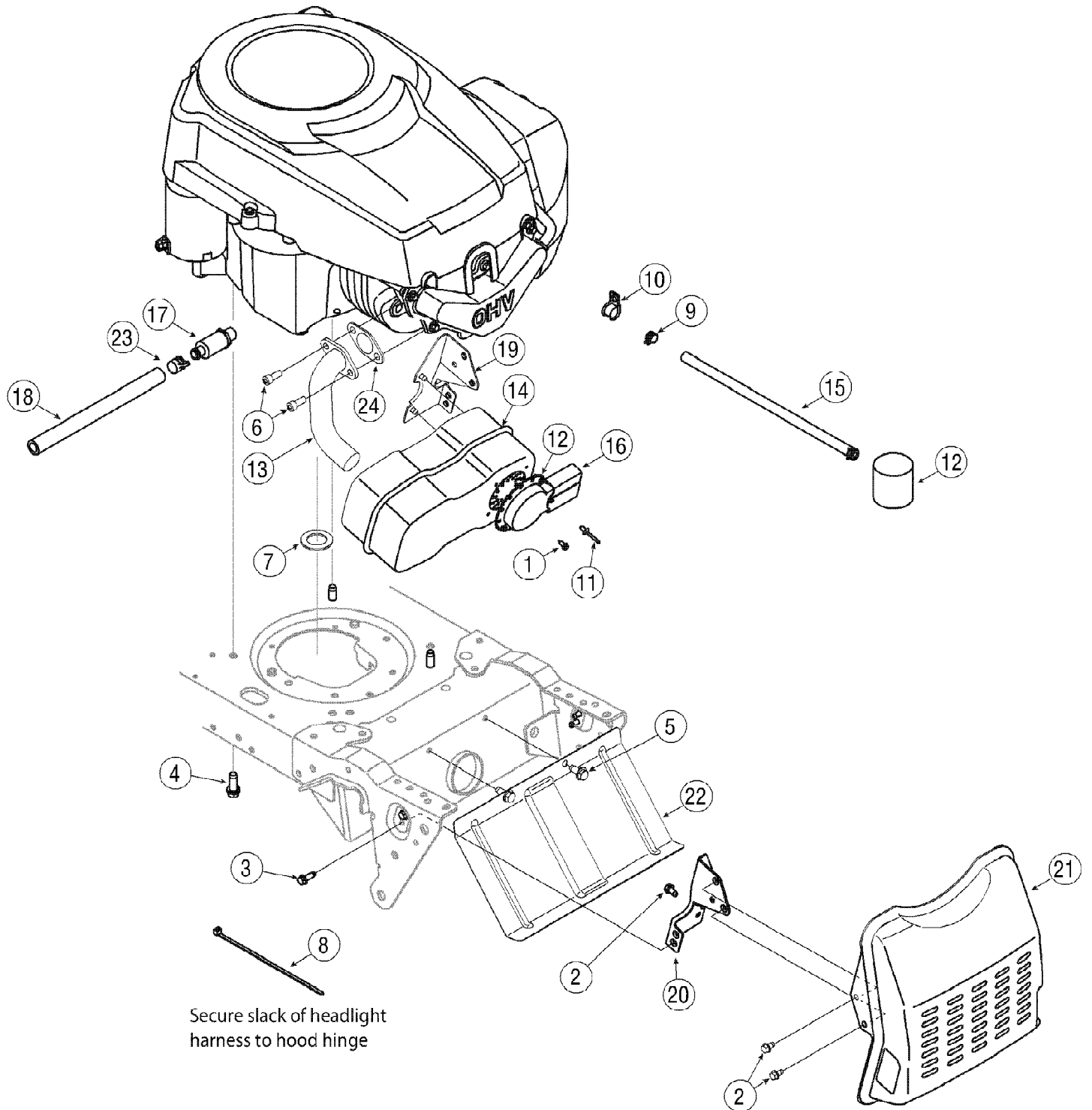
Page 5 of 24

Ref #	Part Number	Qty	S/P/F	Description
1	17840	1	S	Mounting Bracket, Transaxle
2	725-04039	1	S	Switch, Interlock
3	17962	1		Plate, Switch
4	647-04020	1		Lever Assembly, Shift
5	710-0607	1	/P	Screw, 5/16-18, 0.500
6	710-0726	1	/P	Screw, 5/16-12, 0.750
7	710-0809	1		Screw, 1/4-20, 1.250
8	710-1007	1	/P	Screw, Sems, 3/8-16, 1.500
9	710-1266	1	/P	Screw, 5/16-18, 3.50, Gr5
10	710-3144	1	/P	Screw, 3/8-16, 2.00, Gr5
11	711-0736	1	/P	Adjustment Ferrule 1/4-20 x 1.
12	712-0241	1	/P	Nut, Hex, 3/8-24, Gr5
13	712-04063	1	/P	Nut, Flange Lock, 5/16-18, GrF
14	712-0431	1	S	Nut, Flange Lock, 3/8-16, GrF
15	712-0700	1	/P	Nut, Flange, 9/16-18, Gr2
16	714-0104	1	S	Pin, Cotter, .072 Dia. x 1.13
17	714-0111	1	S	Pin, Cotter, 3/32, 1.0
18	714-0209	1	S	Cotter .Pin, Internal, .125 Dia.
19	714-0470	1	S	Pin, Cotter, 1/8 x 1.25
20	718-0758A	1	S	Pulley Hub, 5/8 Spline
21	720-04028	1		Knob, Shift
22	723-3018	1	S	Ball Joint
23	731-04602	1		Sleeve, .758 x .821 x 3.3125
24	731-04604	1		Sleeve, .758 x .821 x 2.4375
25	732-04370A	1	S	Spring, Extension, .62 Dia x 6.12
26	732-0525	1		Spring Clip, Shifter
27	732-0716C	1	S	Spring, Extension, .59 OD x 4.00
28	732-0963	1		Spring, Extension, .50 Dia x 6.37
29	736-0169	1	S	Washer, Lock, 3/8
30	710-0224	1	S	Screw, #10-16, .50
31	738-0372B	1	/P	Spacer, Shoulder, 1.00 x .38 x .38
32	747-04146C	1	/P	Rod, Shift
33	747-04164	1		Rod, Brake
34	747-1127	1		Idler Rod, Adjustable, 3/8
35	748-0334	1	S	Spacer, .68
36	750-0566A	1	/P	Spacer, .260 x .372 x 1.030
37	754-0467	1	S	Belt, V-Type
38	754-0468	1	S	Belt, V-Type
39	756-04002	1	S	Pulley, V-Type, 7.25 Dia.
40	756-04224	1	/P	Idler Pulley, Flat 2.75 OD
41	783-04283	1		Bracket, Shift
42	783-04360	1		Bracket, Shift, F-N-R
43	783-04442	1		Idler Bracket, Center Double
44	647-04100	1	S	Control Assembly, Brake
45	647-0032A	1	S	Control Assembly, Speed
46	683-0266	1		Pedal Assembly
47	736-0119	1	S	Lock Washer, 5/16
48	710-1260A	1	/P	Screw, 5/16-18, 0.750
49	736-0264	1	S	Washer, Flat, .330 x .630 x .0635
50	711-04159B	1		Pin, 3/8-16 x 2.68
51	712-3004A	1	/P	Nut, Flange Lock, 5/16-18, Gr5
52	732-0335	1		Spring, Compression, .405 x 1.17
53	732-0955	1		Spring, Extension, .50 OD x 1.41

13BX60TG711 Super Bronco (2007)
Drive Assembly

Page 6 of 24

Ref #	Part Number	Qty	S/P/F	Description
54	732-0963	1		Spring, Extension,.50 OD x 6.37
55	735-0662	1		Pad
56	735-3049A	1	/P	Pad, Brake
57	736-0187	1	/P	Washer, Flat,.64 x 1.24 x.06, Ht
58	736-0262	1	/P	Washer, Flat,.385 x.870 x.092
59	710-04598	1		Hex Screw
60	736-3008	1	S	Washer, Flat,.344 x.750 x.120
61	738-0155	1	S	Screw, Shoulder.437 Dia x.162
62	738-0380	1	S	Screw, Shoulder,.50 x.27 Lg,
63	741-0225	1	S	Bearing, Hex Flange
64	741-3065B	1	/P	Split Bearing, Hex Flange
65	747-04093A	1		Rod, Brake Lock
66	747-04096	1		Rod, Cruise Control
67	748-04039C	1		Latch, Cruise Control
68	783-0732A	1	/P	Bracket, Lockout
69	747-04641	1	S	Ped, Brake
70	783-04612	1	S	Bracket, Steering Support
71	618-04034	1	S	Transmission, Single Speed
72	683-04287	1		Bracket Assembly, Torque
73	683-04286	1		Bracket, Idler
74	710-0227	1	/P	Screw, #8-18 x.50
75	738-0322A	1	/P	Shoulder Screw, .625 x .217
76	710-0604A	1	/P	Screw, 5/16-18,.625
77	732-1013	1		Belt Guard
78	712-0130	1	/P	Nut, Lock, 3/8-16, Nylon
79	725-1644	1		Switch Spring, Short
80	726-0320	1	S	Plate, Insulator
81	750-04294	1		Spacer, Shoulder
82	756-04241	1	/P	Idler Pulley, V-Type, 5L x 3.06
83	656-04015	1	S	Pulley Ass'y, Variable Speed
84	683-04296	1		Bracket, Pulley
85	710-0627	1	/P	Screw, 5/16-24,.750
86	710-0778	1	/P	Screw, 1/4-20, 1.500
87	718-04261	1		Cup, Bearing
88	736-0362	1	/P	Washer, Flat
89	741-0124	1	S	Ball Bearing
90	783-04722	1		Switch Bracket, Parking Brake
91	736-0242	1	/P	Washer, Bell,.340 x.872 x.060
92	712-04065	1	/P	Nut, Flange Lock, 3/8-16, GrF
93	710-0599	1	/P	Screw, 1/4-20 x.500
94	731-2290A	1	/P	Hub Cap
95	634-0104	1		Wheel Assy Comp, 20 x 8 x 8
95	734-1730	1		Tire Only 20 x 8 x 8 not shown
95	734-0603A	1	S	Rim Only w/ Valve Stem not shown
96	736-3010	1		Flat Washer, .407 x .812 x .135
97	714-0507	1	S	Pin, Cotter, 3/32 x .750
98	725-3167	1		Switch

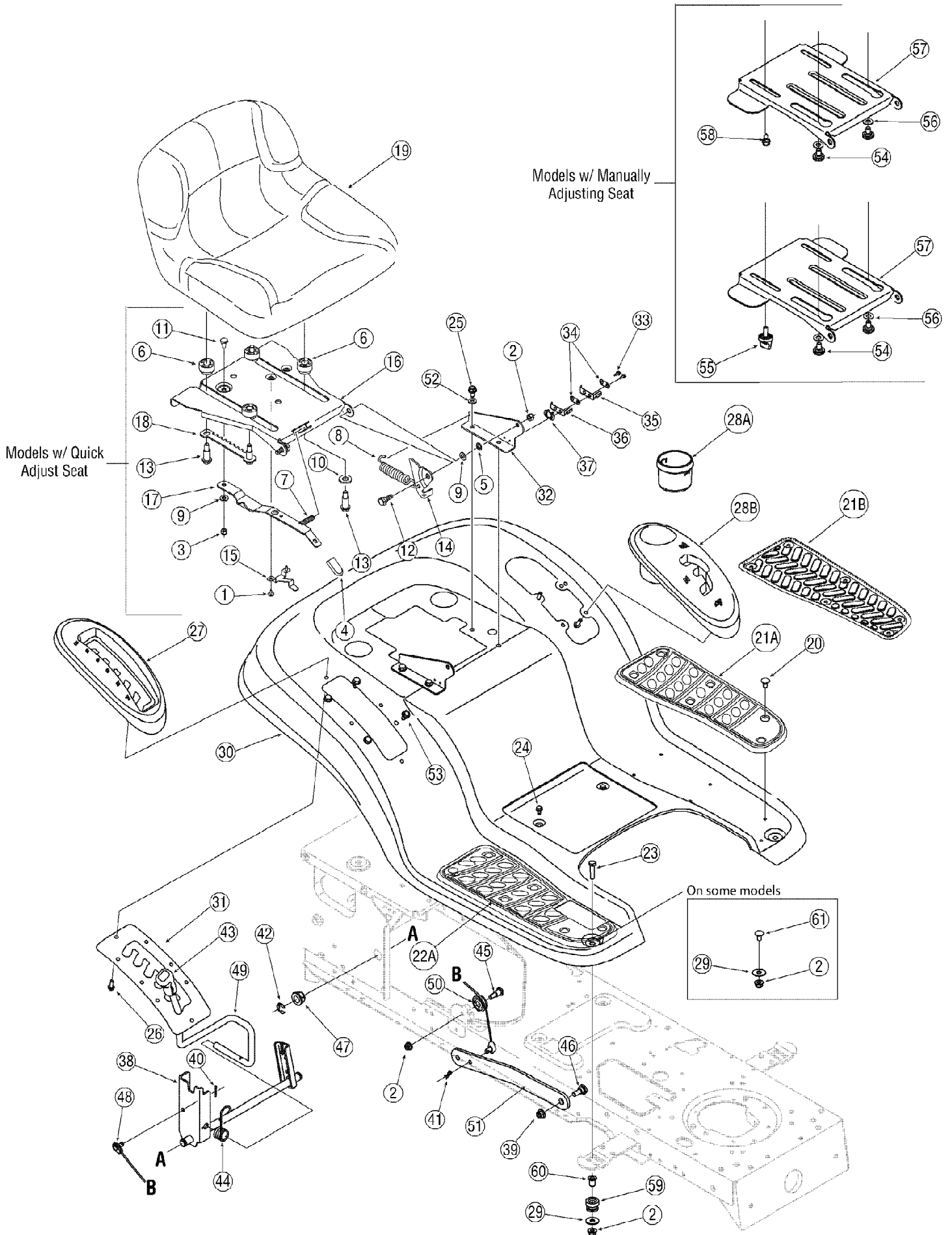


13BX60TG711 Super Bronco (2007)
Engine Accessories Single

Page 8 of 24

Ref #	Part Number	Qty	S/P/F	Description
1	710-0227	1	/P	Screw #8-18 x 0.5
2	710-0599	1	/P	Screw 1/4-20 x 0.5
3	710-0642	1	/P	Screw 1/4-20 x 0.75
4	710-0654A	1	/P	TT Screw 3/8-16 x 1.00
5	710-1260A	1	/P	Screw, 5/16-18 x 0.750
6	710-1314A	1	/P	Screw, 5/16-18 x .750
7	736-0277	1		Flat Washer, 1.031 x 1.620 x .095
8	725-0157	1	/P	Cable Tie
9	726-0205	1	/P	Hose Clamp
10	726-0272	1	/P	Clamp
11	728-04000	1		Pop Rivet, .188 dia. x .300 L
12	751-0564A	1	S	Muffler Deflector
13	751-10017	1		Exhaust Pipe
14	751-10162	1		Single Inlet Muffler
15	751-10349	1		Fuel Line Hose
16	751-10353	1		Long Muffler Deflector
17	751-3140	1	S	Oil Drain Valve
18	751-3141	1	S	Oil Drain Extension Hose
19	783-04573	1		Left Hand Muffler Bracket
20	783-04574	1		Right Hand Muffler Bracket
21	783-04576B	1	S	Muffler Shield
22	783-05410	1		Muffler Heat Shield
23	751-3142	1		Oil Drain Cap
24	KH-20-041-12	1		Exhaust Gasket

13BX60TG711 Super Bronco (2007)
Fender Assembly



13BX60TG711 Super Bronco (2007)
Fender Assembly

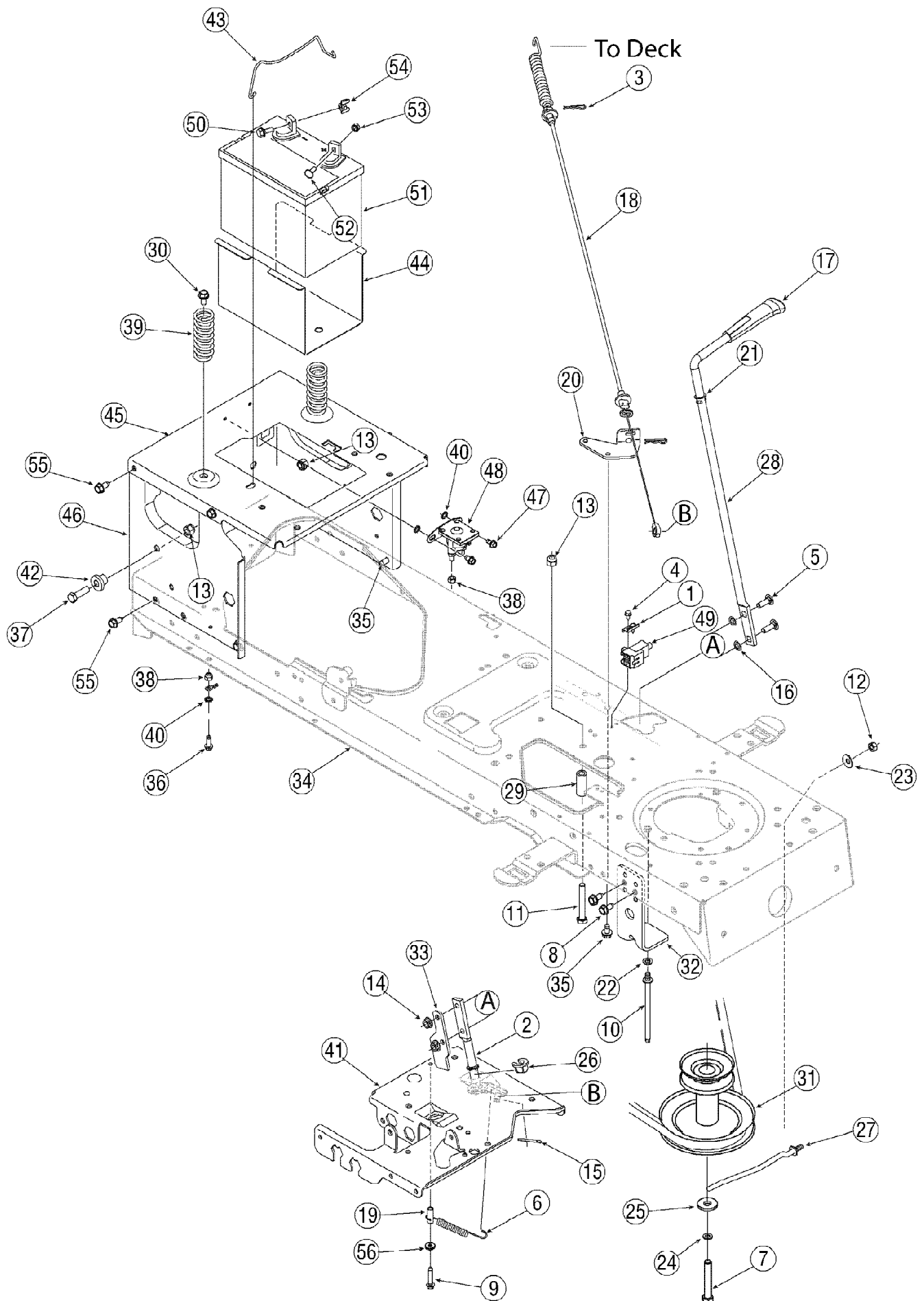
Page 10 of 24

Ref #	Part Number	Qty	S/P/F	Description
1	710-1268	1	/P	Screw, #10-16 x.375
2	712-04063	1	/P	Nut, Flange Lock, 5/16-18, GrF
3	712-04064	1	/P	Nut, Flange Lock, 1/4-20
4	720-0309A	1	/P	Seat Adjuster Grip
5	726-0201	1		Nut, Speed,.3125 ID
6	731-04074	1		Spacer
7	732-0499	1		Compression Spring,.41 x 1.5
8	732-1184	1	/P	Spring, Extension,.84 Dia. x 4.6
9	736-0242	1	/P	Wash, Flat, .340 x .688 x .065
10	736-3019	1		Wash, Flat,.531x 1.062 x.134
11	738-0137A	1	S	Screw, Shld, .340 x.285, 1/4-20
12	738-0296	1	S	Screw, Shoulder,.437 x.268
13	738-0966A	1	/P	Screw, Should,.50 x.925, 3/8-16
14	783-0209D	1	/P	Seat Bracket, Lift
15	783-0611	1		Seat Stop
16	783-0738C	1	S	Seat Pivot Bracket
17	783-0739A	1	S	Seat Adjustment Lever
18	783-0753	1		Seat Adjustment Selector
19	757-04001A	1	/P	Low Back Seat
19	757-04037	1	S	Medium Back Seat
20	726-3046	1	/P	Ratchet Clip
21a	735-0657	1		LH Foot Pad, Rubber
21b	735-0673	1		LH Foot Pad, Rubber
22a	735-0656	1		RH Foot Pad,Rubber not shown
22b	735-0672	1		RH Foot Pad,Rubber not shown
23	710-0528	1	/P	Hex Screw, 5/16-18 x 1.25
24	710-0599	1	/P	Screw, 1/4-20, 0.500
25	710-0604A	1	/P	Screw, 5/16-18, 0.625
26	710-0895	1		Screw, 1/4-15, 0.750
27	731-1990	1		Cover, Lift Lever
28a	731-04591A	1	/P	Cup Holder
28b	731-2104C	1	S	Cover, w/ Cup Holder
29	736-3078	1	/P	Washer, Flat,.344 x 1.0 x.063
30	783-04314A	1	/P	Fender (7-Style) not shown
30	783-04333A	1		Fender (4-Style) shown
31	783-1010A	1	S	Adjust. Brkt, Lift (7-Style) shown
31	783-0677B	1		Adjust. Brkt., Lift (4-Style)
32	783-1489C	1		Mounting Bracket, Seat
33	710-0227	1	/P	Screw, #8-18 x.50
34	726-0279	1		Plate, Insulator
35	725-1303	1	S	Spring Switch, Outer
36	725-1439	1		Spring Switch, Inner
37	726-0278	1		Plate, Insulator Boss
38	683-04223	1	S	Deck Lift Shaft Assembly
39	712-04065	1	/P	Nut, Flange Lock, 3/8-16, GrF
40	714-0104	1	S	Pin, Cotter,.072 Dia. x 1.13
41	714-0111	1	S	Pin, Cotter, 3/32, 1.0
42	716-0106A	1		Ring, E Type,.625 Dia.
43	720-0311	1		Grip, Handle, 1/2
44	732-0874	1	/P	Spring, Torsion
45	738-0138A	1	/P	Screw, 5/16-18 x.620 Gr2
46	738-04130	1		Scr.,Shldr, .625 x.165,(42" Deck)
46	738-0380	1	S	Screw, Shld,.50 x.27, (46" Deck)

13BX60TG711 Super Bronco (2007)
Fender Assembly

Page 11 of 24

Ref #	Part Number	Qty	S/P/F	Description
47	741-0225	1	S	Bearing, Hex Flange
48	746-0968	1		Cable, Lift, 16.16
49	747-04447	1		Handle, Lift
50	756-1154	1		Pulley, Roller
51	783-04711	1		Arm, Lift - LH (42" Deck)
51	783-04494	1		Arm, Lift - RH (42" Deck)
51	783-04963A	1		Arm, Lift (46" Deck) shown
52	736-0607	1	/P	Lock Washer, 5/16
53	710-1611B	1	/P	Scr5/16-18 x.750 (7-Style)
53	710-0604A	1	/P	Screw, 5/16-18, 0.625
54	738-04012A	1	/P	Shoulder Screw
55	720-04061	1		Knob, 3/8-16
56	736-0300	1	S	Flat Washer, .406 x .875 x .059
57	783-04081B	1		Seat Pivot Bracket, Manual Adj.
58	710-0870	1	/P	Hex Head Washer Screw, 3/8-16
59	735-0690	1		Grommet, .4375 x .750
60	750-3310	1		Flanged Spacer
61	710-0451	1	/P	Carriage Bolt, 5/16-18 x .750



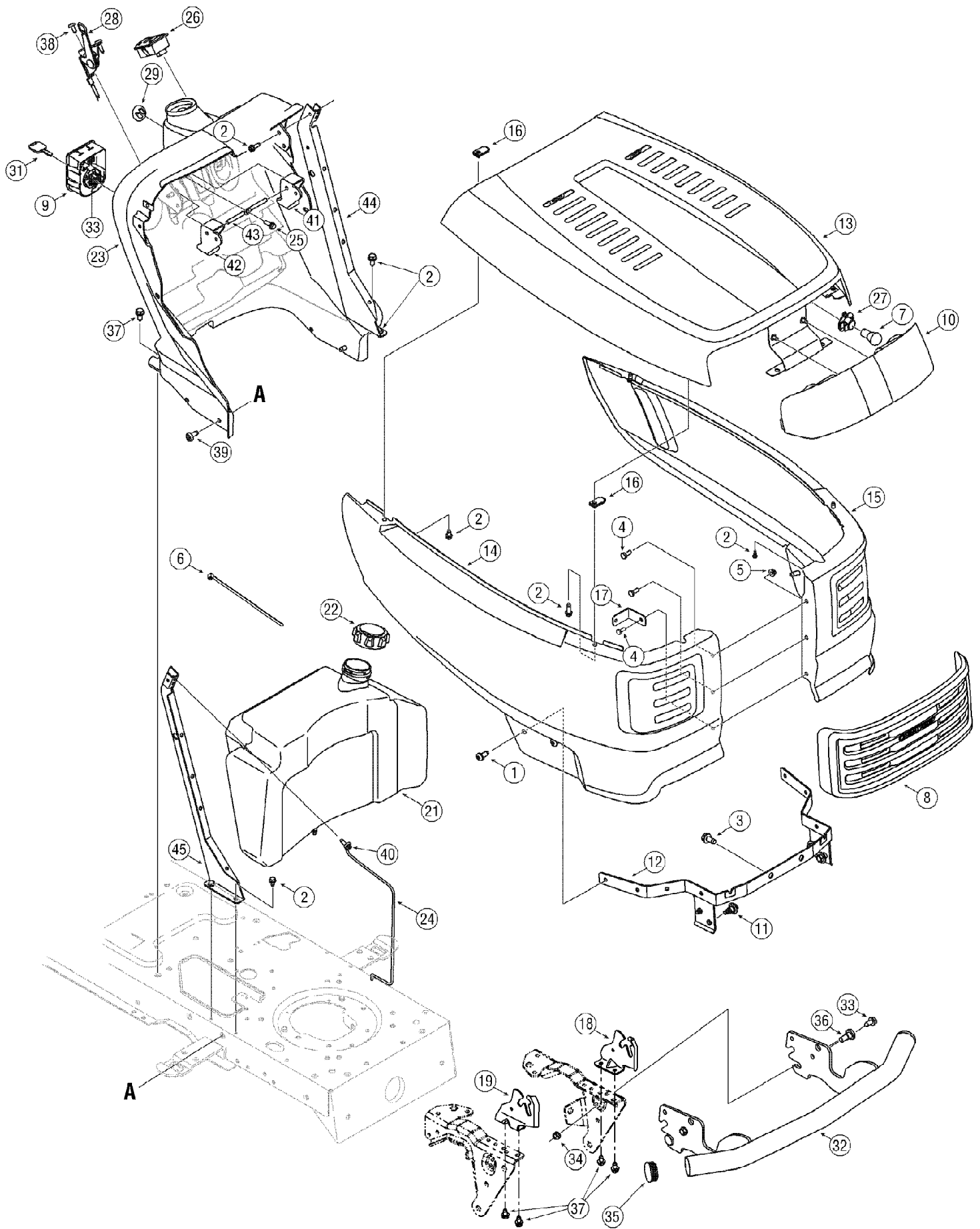
Ref #	Part Number	Qty	S/P/F	Description
1	17962	1		Plate, Switch
2	647-04036A	1	S	Lever Assembly, Engagement
3	714-0145	1	S	Click Pin
4	710-0224	1	S	Screw, #10-16, 0.500
5	710-0276	1	/P	Screw, Carriage, 5/16-18, 1.00
6	732-04248	1		Extension Spring, .38 OD x 3.9 Lg
7	710-04608	1		Screw, 7/16-20, 2.75 46" Deck
7	710-04607	1		Screw, 7/16-20, 3.25 42" Deck
8	710-0726	1	/P	Screw, 5/16-12, 0.750
9	710-0778	1	/P	Screw, 1/4-20 x 1.50
10	711-1428	1	S	Pin, Belt Guard, 5/16 x 5.80
11	710-0859	1	/P	Screw, 3/8-16 x 2.50
12	712-04063	1	/P	Nut, Flange Lock, 5/16-18, GrF
13	712-04065	1	/P	Nut, Flange Lock, 3/8-16, GrF
14	712-3004A	1	/P	Nut, Flange Lock, 5/16-18, Gr5
15	714-0115	1	S	Pin, Cotter, 1/8 x 1.00
16	726-0201	1		Nut, Speed, .3125 ID
17	731-2111B	1	/P	Knob, PTO
18	746-04092	1	S	Deck Engagement Cable
19	750-0566A	1	/P	Spacer, .260 x .372 x 1.030 Lg.
20	783-04590B	1		Cable Bracket
21	736-0108	1	S	Washer, Flat, .510 x .750 x .033
22	736-0119	1	S	Washer, Lock, 5/16
23	736-0242	1	/P	Washer, Bell, .340 x .872 x .060
24	736-0171	1	S	Washer, Lock, 7/16
25	736-0322	1	/P	Washer, Flat, .450 x 1.250 x .164
26	741-0708	1		Bearing, Flange, Hex Split .500 ID
27	747-1286A	1	/P	Keeper Rod, Belt
28	747-04470	1		Engagement Handle, Deck
29	748-0415B	1	/P	Spacer, .385 ID x .635 OD x 1.54
30	710-1260A	1	/P	Screw, 5/16-18 x .750
31	756-04196	1	S	Pulley, Engine, 42" Deck
31	756-04207	1	S	Pulley, Engine, 46" Deck
32	783-04467	1		Stop Bracket, Deck-Up
33	783-0744A	1		Stop Bracket, Engagement
34	683-04173B	1		Frame Assembly, Lower
35	710-0607	1	/P	Screw, 5/16-18, 0.500
36	710-0642	1	/P	Screw, 1/4-20, 0.750
37	710-3005	1	/P	Screw, 3/8-16, 1.25, Gr5
38	712-04064	1	/P	Nut, Flange Lock, 1/4-20, GrF
39	732-04035	1		Spring, Compr., 1.28 OD x 3.125
40	736-0222	1	S	Washer, Lock, 1/4, External
41	783-04612	1	S	Support Bracket, Steering
42	738-04058	1		Spacer, Shoulder, .38 x 1.0 x .70
43	747-04121A	1		Hold Rod, Battery
44	783-0349	1		Battery Tray
45	783-04329A	1		Seat Bracket, Frame
46	783-04809	1	/P	Frame, Upper
47	710-0599	1	/P	Screw, 1/4-20, 0.50
48	725-04439	1		Solenoid, 12V, 100 Amp
49	725-04039	1	S	Switch, Interlock
50	738-1132	1		Screw, Shoulder, .250 x .150
51	725-1737A	1	S	Battery, 190 CCA

13BX60TG711 Super Bronco (2007)
Frame

Page 14 of 24

Ref #	Part Number	Qty	S/P/F	Description
51	725-1750A	1	S	Battery, 235 CCA
52	710-04666	1		Hex Head Flange Screw
53	712-0271	1	/P	Nut, Sems, 1/4-20
54	712-3087	1	/P	Nut, Wing, 1/4-20
55	710-0604A	1	/P	Screw, 5/16-18 x 0.625
56	736-0173	1	/P	Washer, Flat, .28 x .74 x .063

13BX60TG711 Super Bronco (2007)
Hood Style T



13BX60TG711 Super Bronco (2007)
Hood Style T

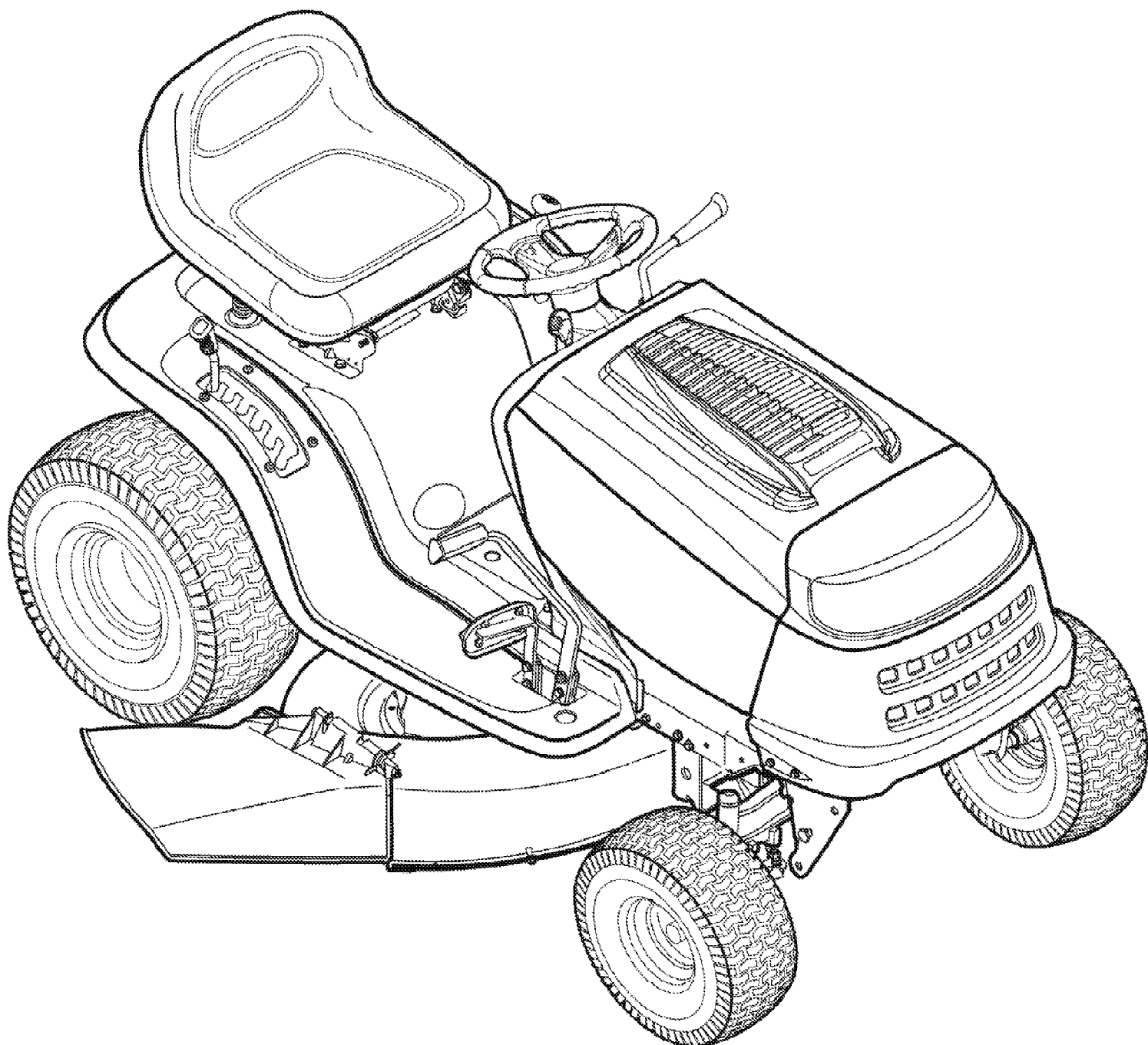
Page 16 of 24

Ref #	Part Number	Qty	S/P/F	Description
1	710-04593	1		Screw, 5/16-18, .375
2	710-0599	1	/P	Screw, 1/4-20, 0.500
3	710-0604A	1	/P	Screw, 5/16-18, 0.625
4	710-0751	1	/P	Screw, 1/4-20, 0.620
5	712-04064	1	/P	Flange Lock Nut, 1/4-20
6	725-0157	1	/P	Cable Tie, 3/16 x .05 x 7.4
7	725-0963	1	S	Headlamp, 12V
8	731-05745	1		Troy-Bilt Grill Insert
9	731-05241A	1	/P	Switch Housing
10	731-05357	1	S	Lens
11	738-04091	1	S	Screw, Shldr, .43 x .29, 5/16-18
12	783-04606B	1		Pivot Bracket
13	783-04827	1		Troy-Bilt Hood
14	783-04828	1		Troy-Bilt Side Panel, RH
15	783-04829	1		Troy-Bilt Side Panel, LH
16	783-05223	1		T-Style Hood Fastener
17	783-05315	1	S	Front Hood Bracket
18	783-04841	1		Hood Pivot Bracket, LH
19	783-04840	1		Hood Pivot Bracket, RH
20	726-0230	1	/P	Cable Tie, 34.75
21	751-10283A	1	/P	Fuel Tank, 3 gal. TB
22	751-0603	1	S	Fuel Tank Cap
23	731-05001B	1	S	Dash Panel, 8/9 Style w/ Man PTO
24	747-04161	1		Gas Tank Support Rod
25	710-0895	1		Screw, 1/4-15, .750
26	725-04156	1	S	Ammeter Monitor Indicator
27	725-1649	1	S	Lamp Socket
28	746-04364	1		Throttle/Choke Control, 25.0
29	731-05265	1		Choke Plug
30	725-1741	1	S	Module, Ign. Switch (No RMC) No Reverse Caution Mode
30	725-04227B	1	S	Module, Ignition Switch (RMC) Reverse Caution Mode
31	725-1744	1	S	Key
31	725-1745	1	S	Key w/ Plastic Grip
32	683-04219A	1	S	Bumper Assembly
33	710-0726	1	/P	Screw, 5/16-12, 0.750
34	712-04065	1	/P	Flange Lock Nut, 3/8-16
35	731-05674	1		Bumper Cap
36	738-0143	1	/P	Shoulder Bolt, 3/8-16
37	710-0607	1	/P	Screw, 5/16-18, 0.500
38	710-1017	1	/P	Screw, 1/4-14, 0.625
39	710-1611B	1	/P	Screw, 5/16-18, 0.750
40	710-0642	1	/P	Screw, 1/4-20, 0.750
41	731-04728	1		Dash Brake Lever
42	731-04729	1		Dash Cruise Lever
43	747-1196	1		Bent Lever Rod
44	783-04323D	1		Dash Support, LH
45	783-04285E	1	S	Dash Support, RH
	725-04484	1	S	Wire Harness (No RMC) Not shown No Reverse Caution Mode

13BX60TG711 Super Bronco (2007)
Hood Style T

Page 17 of 24

Ref #	Part Number	Qty	S/P/F	Description
	725-04432	1	S	Wire Harness (RMC) Not shown Reverse Caution Mode
	629-04083A	1	S	Headlight Wire Harness Not shown
	777X42188	1		Headlight Lens Reflector RH Not shown
	777X42187	1		Headlight Lens Reflector LH Not shown

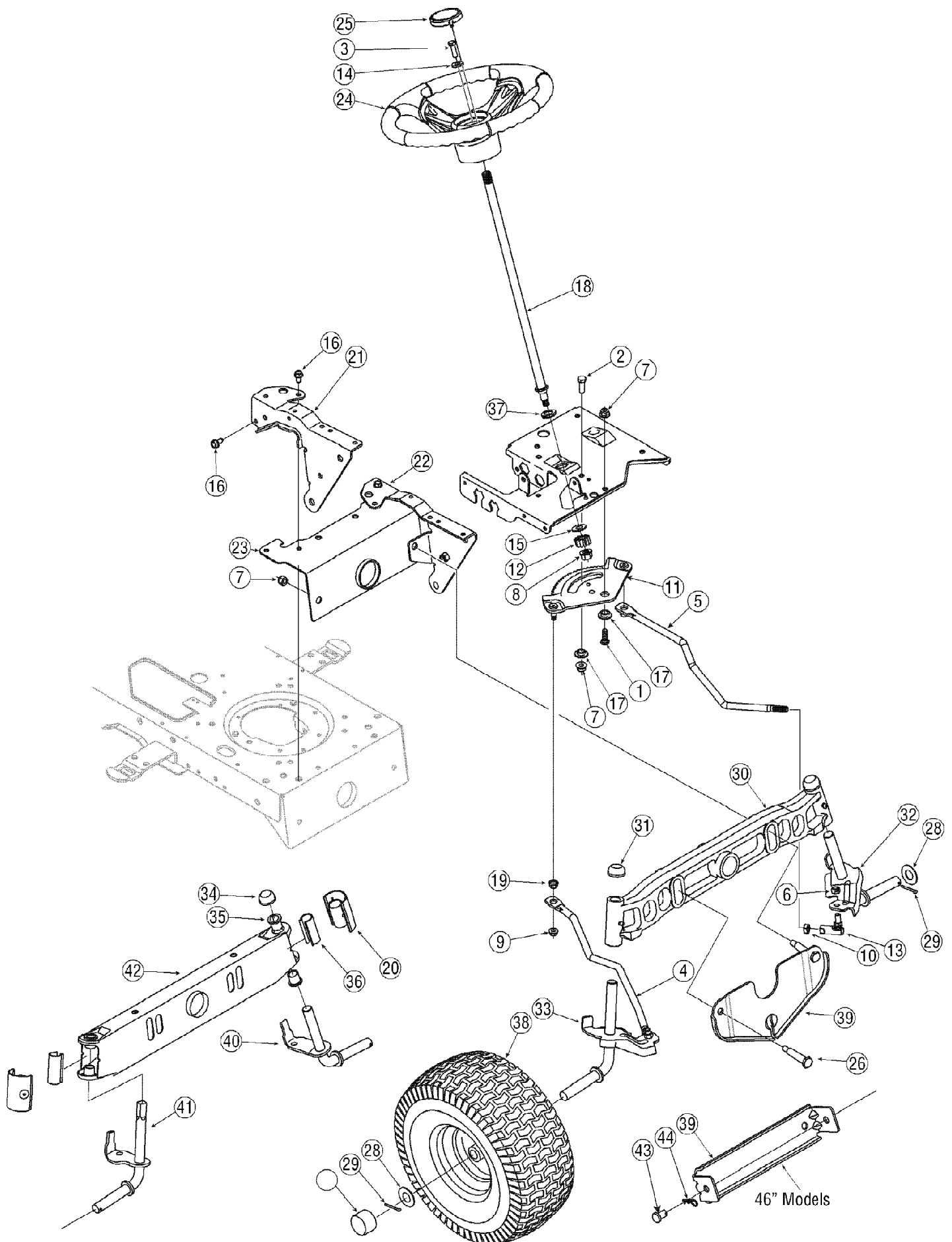


Ref #	Part Number	Qty	S/P/F	Description
	942-0616A	2	/P	Blades 42" Deck
	942-0612A	2	/P	Blades 46" Deck
	942-0611A	1	/P	Blades 46" Deck
	712-0417A	1	/P	Blade Nut
	954-0468	1	/P	Upper drive Belt
	954-0467	1	S	Lower drive Belt
	954-04045	1	/P	Deck Spindle Belt 42" Deck
	754-04118	1	S	Deck Spindle Belt 46" Deck
	N/A	1		Engine To deck Belt
	918-04456	2	S	Deck Spindles 42" Deck
	918-04134B	1	S	Deck Spindles 46" Deck
	918-0240A	2		Deck Spindles 46" Deck
	746-04364	1		Throttle/Choke Control Cable 42" Deck
	746-1084	1	S	Throttle/Choke Control Cable 46" Deck
	925-1745	1	S	Ignition Keys
	725-04439	1		Solenoid
	KH-12-050-01-S	1	/P	Oil Filter
	KH-20-883-02-S1	1	/P	Air Filter
	N/A	1		Pre-Cleaner Element
	KH-25-132-12-S	1	/P	Spark Plug
	KH-25-050-21-S	1	/P	Fuel Filter
	925-1707D	1	/P	Battery
	951-3111	1	S	Fuel Cap
	734-0973	2	/P	Deck Wheels
	723-0448A	1	S	Ball Joints
	741-0516B	1	/P	Wheel Bushings
	741-0990B	1	/P	Wheel Bushings in board
	734-1731	1		Tire (Front) 15" x 6" x 6" Square Shoulder
	734-1730	1		Tire (Rear) 20" x 8" x 8" Square Shoulder
	731-05674	1		Hub Cap
	725-04363	1		Safety Switch-deck
	725-04363	1		Safety Switch-Brake/ Clutch
	N/A	1		Water Nozzle Adapter
	931-1032B	1	/P	Discharge Chute Assembly
	OEM-190-679	1	/P	Front Bumper (Attachment)
	OEM-190-118	1		Mulch Kit (2007) (46" Deck Only)(Attachment)
	OEM-190-116	1	/P	Mulch Kit (2007) (42" Deck Only)(Attachment)
	OEM-190-032	1	/P	42-inch Two-stage Snow Thrower (Attachment)
	OEM-190-180	1	S	Twin Bagger Grass Collector (42" Deck Only)(Attachment)
	OEM-190-182	1	S	Twin Bagger Grass Collector (46" Deck Only)(Attachment)
	OEM-190-215	1	/P	Rear Wheel Weight Kit (Attachment)
	OEM-190-607	1		Deluxe Tractor Sunshade (Attachment) Not compatible with tractors equipped with a Grass Collector
	OEM-190-658	1	S	Tire Chains, 20 x 8 Tires (Attachment)

13BX60TG711 Super Bronco (2007)
Quick Reference

Page 20 of 24

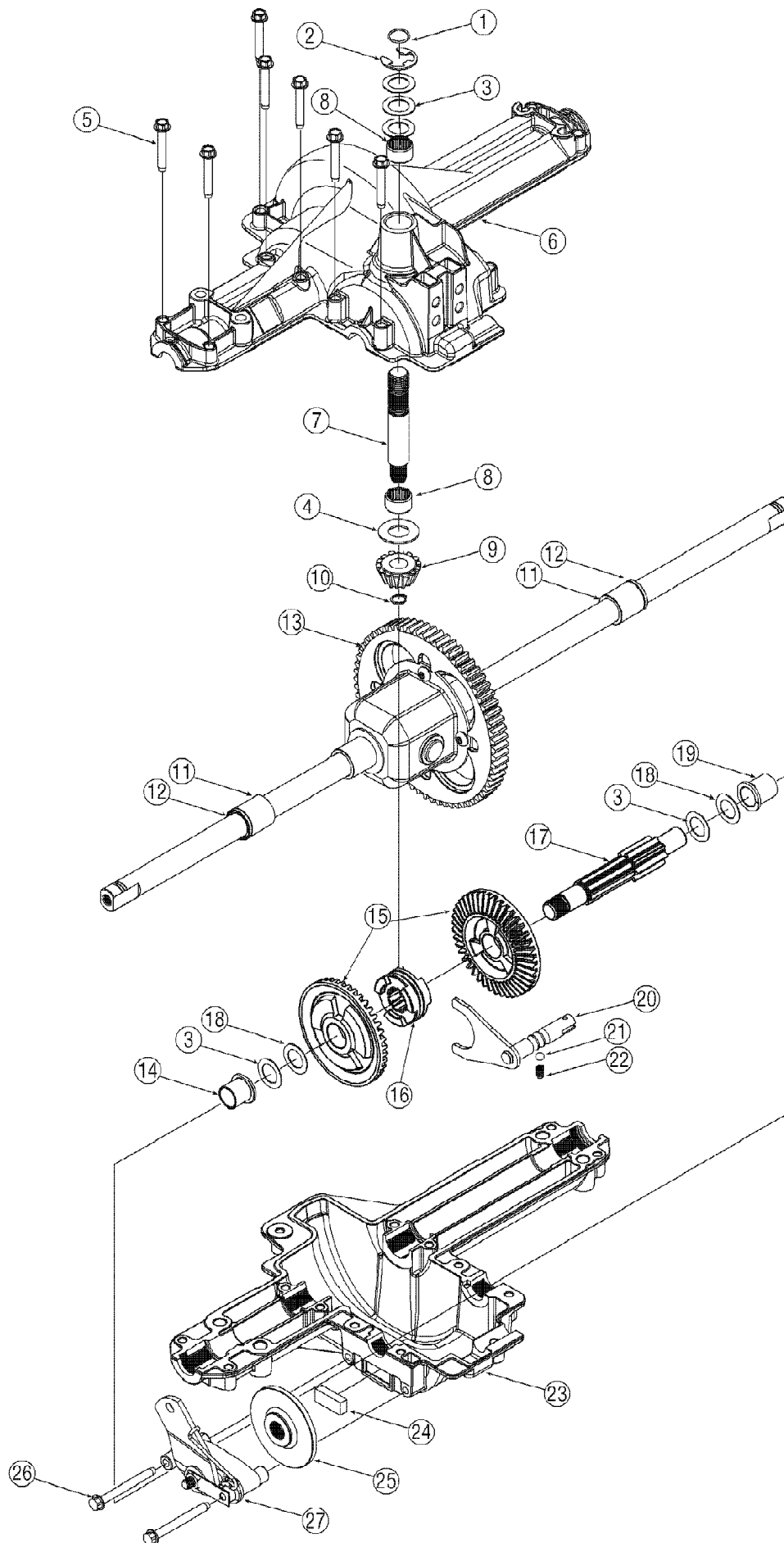
Ref #	Part Number	Qty	S/P/F	Description
	OEM-190-672	1	S	Grille Guard (Attachment)(mounts on front of tractor)
	OEM-190-833	1	/P	46-inch Front Dozer Blade (Attachment)
	490-900-0025	1		Deck Wash Kit (Attachment)



13BX60TG711 Super Bronco (2007)
Steering Assembly

Page 22 of 24

Ref #	Part Number	Qty	S/P/F	Description
1	710-04095	1		Hex Screw, 3/8-16, 1.00, Gr5
2	710-0514	1	/P	Hex Screw, 3/8-16, 1.00, Gr5
3	710-0643	1	/P	Hex Screw, 5/16-18, 1.00, Gr5
4	711-1408	1		Link, Drag, RH
5	711-1409A	1	/P	Link, Drag, LH
6	712-0214	1	S	Nut, Hex Lock, 3/8-24
7	712-04065	1	/P	Nut, Flange Lock, 3/8-16, Grf
8	712-0459	1	/P	Nut, Flange Lock, 7/16-20
9	712-3004A	1	/P	Nut, Flange Lock, 5/16-18, Gr5
10	712-0240	1	S	Nut, Jam, 7/16-20, Gr2
11	717-1550E	1	S	Gear, Steering, 11/90 Ratio
12	717-1554	1		Gear, Pinion, Steering
13	723-0448A	1	S	Ball Joint, 7/16-20, Lock
14	736-3004	1	S	Washer, Flat, .406 x .875 x .105
15	736-3084	1	/P	Washer, Flat, .51 x 1.12 x .06
16	710-1260A	1	/P	Screw, 5/16-18, 0.750
17	738-04154	1		Spacer, Shoulder, .38 x 1.00 x .31
18	738-1001A	1	/P	Shaft, Steering, .625 OD x 24.25
19	741-0475	1	S	Plastic Bushing .380 ID
20	731-1291A	1	S	Pivot Bar End Cap
21	783-0726E	1	/P	Pivot Bracket, Support RH
22	783-0727D	1		Pivot Bracket, Support LH
23	783-0728B	1		Pivot Bracket, Bar
24	631-04028	1		Steering Wheel
25	731-04039	1		Steering Wheel Cap
25	731-04040	1		Steering Wheel Cap, Sprig Logo
25	731-04681	1		Steering Wheel Cap, Tine Logo
26	738-04128	1		Shoulder Bolt, .5 x 2.38, 3/8-16
27	731-05674	1		Hub Cap, Standard
28	736-04228	1		Flat Washer, .781 x 1.59
29	714-04039	1		Cotter Pin, 5/32 x 1.25
30	719-04105	1	/P	Cast Iron Pivot Bar
31	726-0341	1	/P	Push Cap
32	638-04003A	1	S	LH Axle Assembly, .750
33	638-04004A	1	S	RH Axle Assembly, .750
34	726-0341	1	/P	Push Cap, 3/4
35	741-0660A	1	/P	Flange Bearing
36	731-04057A	1		Axle End Cap, Standard
37	741-0656A	1	S	Hex Flange Bearing
38	634-04086	1		Wheel Assembly Complete, 15x6
38	734-1731	1		Tire Only 15 x 6 x 6
38	634-04081	1	S	Rim Only w/ Valve Stem
39	783-04568	1		Frnt. Deck Hang Bracket (42" Deck)
39	783-0720A	1	S	Frnt. Deck Hang Bracket (46" Deck)
40	638-04006	1	S	LH Axle Assembly, .750
41	638-04005	1	S	RH Axle Assembly, .750
42	683-0128B	1	/P	Pivot Bar Axle Assembly



13BX60TG711 Super Bronco (2007)
Transmission Assembly

Page 24 of 24

Ref #	Part Number	Qty	S/P/F	Description
1	732-0614	1		Ring, Wire
2	716-0231	1	S	Ring, E Type,.750
3	736-0336	1	S	Flat Washer, 5/8 x 1.0 x.030 Use applicable flat washer (ref. #'s 3 or 18) in this application allowing .0150/.0020 in. end-play
3	736-0337	1	S	Flat Washer, 5/8 x 1.0 x.040 Use applicable flat washer (ref. #'s 3 or 18) in this application allowing .0150/.0020 in. end-play
3	736-0349	1	S	Flat Washer, 5/8 x 1.0 x.020 Use applicable flat washer (ref. #'s 3 or 18) in this application allowing .0150/.0020 in. end-play
4	736-0335	1	S	Washer, Thrust.635 x 1.26 x.06
5	710-1325	1	/P	Self-tapping Screw, 1/4-20 x 1.625
6	618-04168	1	S	Upper Housing
7	711-1109	1		Input Shaft
8	741-0335	1	S	Needle Bearing,.625 x.813 x.495
9	717-1464	1		14-tooth Bevel Pinion
10	716-0108	1	S	Retaining Ring,.437
11	741-0340	1	S	Sleeve Bearing,.75 x 1.0 x 1.0
12	721-0338	1	S	Seal,.75 x 1.0 x.125
13	618-04041A	1	S	Differential Assembly
14	741-0336	1	S	Flange Bearing, 5/8 x 3/4 x 3/4
15	717-04056	1	S	42-tooth Bevel Gear
16	718-04045	1	S	Clutch Collar
17	711-04134	1	S	Drive Shaft
18	736-0495	1	S	Thrust Washer, 1.0 x.632 x.0 Use applicable flat washer (ref. #'s 3 or 18) in this application allowing .0150/.0020 in. end-play
18	736-0494	1		Flat Washer,.632 x 1.00 x.035 Use applicable flat washer (ref. #'s 3 or 18) in this application allowing .0150/.0020 in. end-play
19	741-0337	1	S	Flange Bearing, 5/8 x 3/4 x 15/16
20	611-0011	1	S	Detent Shaft Assembly
21	741-0862	1	/P	Detent Ball
22	732-0863	1	S	Compression Spring
23	719-04018	1	S	Lower Housing
24	717-0678	1	S	Brake Puck
25	761-0202	1		Brake Disc
26	710-1206	1	/P	Self-tapping Screw, 1/4-20 x 2.375
27	661-0001	1	S	Brake Assembly
	737-0148	1	S	Grease (19 oz.)