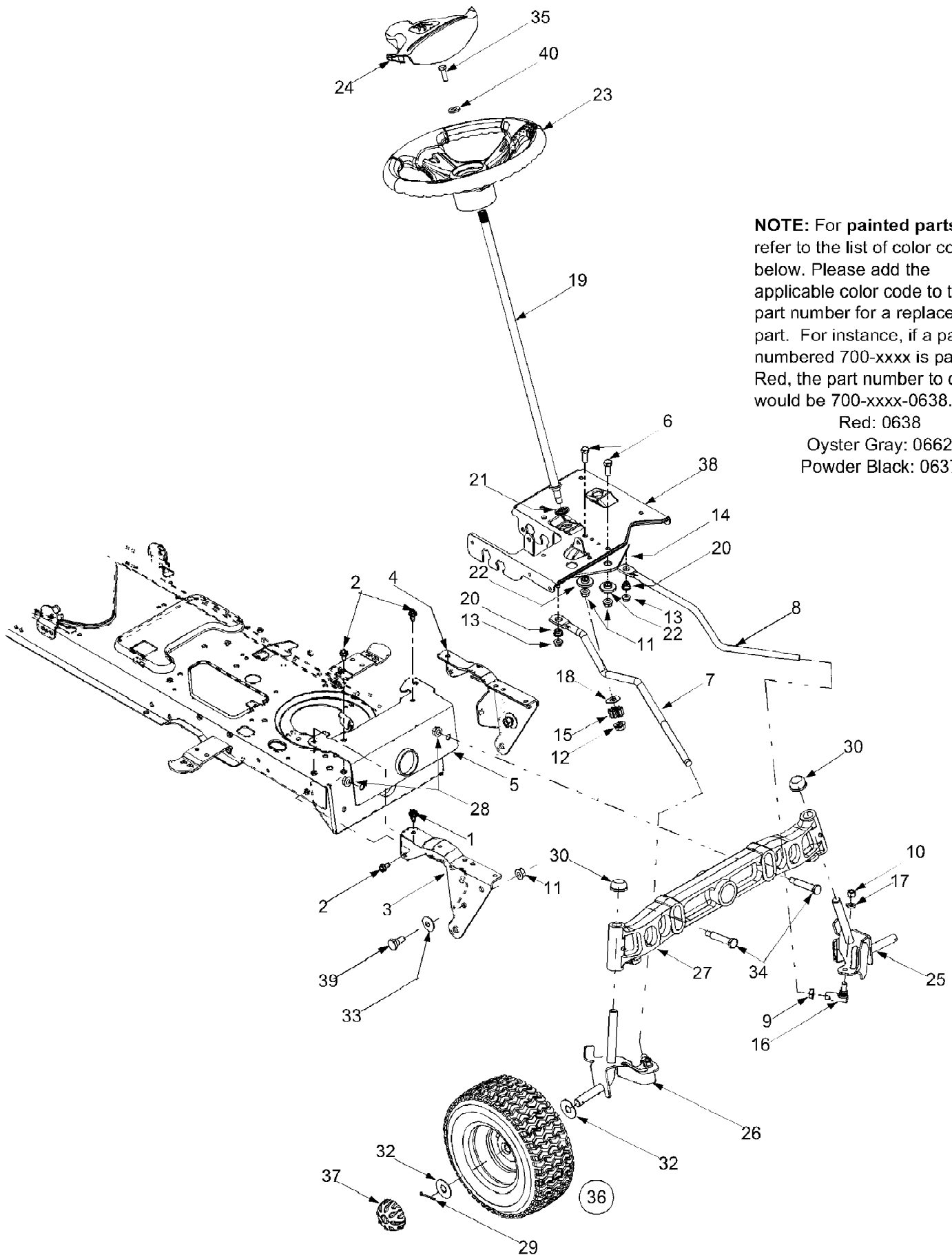


13AY609G766 Bronco (2004)  
Axle, Front Wheels, Steering



**NOTE:** For painted parts, refer to the list of color codes below. Please add the applicable color code to the part number for a replacement part. For instance, if a part numbered 700-xxxx is painted Red, the part number to order would be 700-xxxx-0638.

Red: 0638

Oyster Gray: 0662

Powder Black: 0637

13AY609G766 Bronco (2004)  
Axle, Front Wheels, Steering

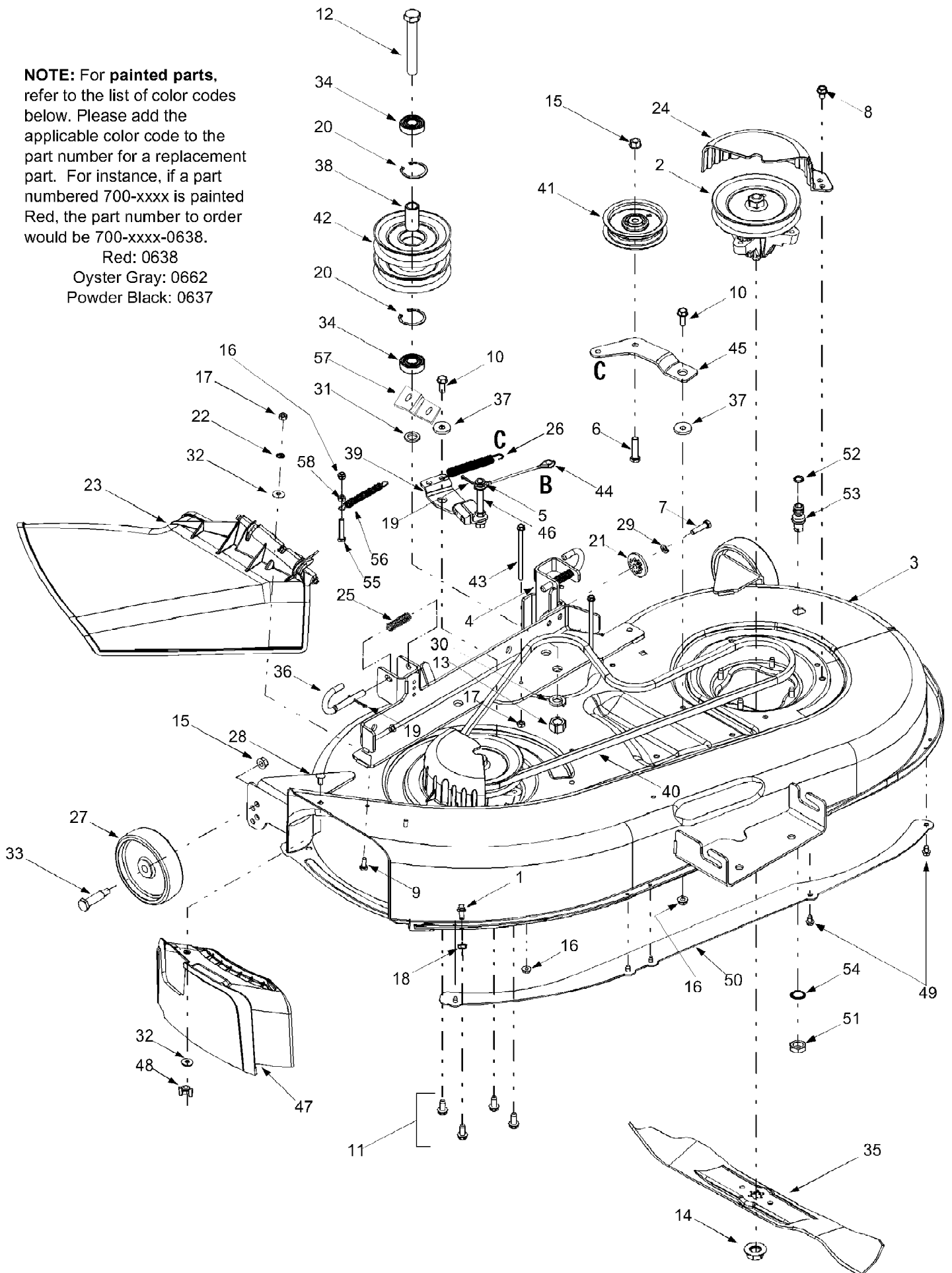
Page 2 of 20

Ref #	Part Number	Qty	S/P/F	Description
1	710-1260A	1	/P	Self-tapping Screw, 5/16-18 x .75
2	710-0604A	1	/P	Self-tapping Screw, 16-18 x .625
3	783-0726B	1	S	RH Pivot Support Bracket
4	783-0727A	1	S	LH Pivot Support Bracket
5	783-0728	1		Pivot Bar Bracket
6	710-0514	1	/P	Hex Cap Screw, 3/8-16 x 1 (Grade 5)
7	711-1408	1		RH Drag Link
8	711-1409A	1	/P	LH Drag Link
9	712-0240	1	S	Jam Nut, 7/16-20 (Grade 2)
10	712-0214	1	S	Hex Nut
11	712-0130	1	/P	Flange Lock Nut, 3/8-24
12	712-0459	1	/P	Flange Lock Nut, 7/16-20
13	712-0429	1	S	Flange Lock Nut, 5/16-18
14	717-1550D	1	S	Steering Gear, 11/90 Ratio
15	717-1554	1		Steering Pinion Gear
16	723-0448A	1	S	Ball Joint, 7/16-20
17	736-0169	1	S	Lock Washer, 3/8
18	736-3084	1	/P	Flat Washer, .51 x 1.12 x .06
19	738-1001A	1	/P	Steering Shaft, .625 OD x 24.4
20	741-0475	1	S	Plastic Bushing, .38 ID
21	741-0656	1	S	Hex Flange Bearing, 5/8
22	738-0372B	1	/P	Shoulder Spacer, .38 ID
23	631-04008	1	S	Steering Wheel, Soft Grip, Three Spoke
24	731-04681	1		Steering Wheel Cover
25	938-04006A-0637	1	/P	LH Axle Assembly, (Model G609)
25	638-0019A	1	S	LH Axle Assembly, (Model J609)
25	638-0021	1	S	LH Axle Assembly (Model T/Y609)
26	938-04005A-0637	1	/P	RH Axle Assembly (Model G609)
26	638-0020A	1	S	RH Axle Assembly (Model J609)
26	638-0022	1	S	RH Axle Assembly (Model T/Y609)
27	719-0399B	1	/P	Pivot Bar w/ Fittings (Model J609)
27	719-0525B	1	S	Pivot Bar w/ Fittings (Model T/Y609)
28	712-0431	1	S	Flange Lock Nut, 3/8-16
29	714-0162	1	/P	Cotter Pin
30	726-0214	1	/P	Push Cap, .625 (Model J609)
30	726-0341	1	/P	Push Cap, .750 (Model T/Y609)
32	736-0430	1	/P	Flat Washer
33	736-0331	1	/P	Bell Washer, .39 x 1.13 x .062
34	738-1011	1	S	Shoulder Screw, .5 x 2.2, 3/8-16
35	710-0643	1	/P	Hex Bolt, 5/16-18 X 1
36	634-04086	1		Wheel Assembly Complete, 15 x 6 x 6
36	634-04081	1	S	Rim Only
36	734-0255	1	S	Air Valve
36	734-1731	1		Tire Only, Square Shoulder
36	741-0516A	1	S	Flange Bearing
36	741-0990A	1	S	Flange Bearing
37	731-2290A	1	/P	Hub Cap
38	783-0653F	1	S	Steering Support Bracket
39	738-0143	1	/P	Shoulder Screw, 3/8-16
40	736-3004	1	S	Flat Washer, .406 x .875 x .105

13AY609G766 Bronco (2004)  
Deck Assembly

**NOTE:** For **painted parts**, refer to the list of color codes below. Please add the applicable color code to the part number for a replacement part. For instance, if a part numbered 700-xxxx is painted Red, the part number to order would be 700-xxxx-0638.

- Red: 0638
- Oyster Gray: 0662
- Powder Black: 0637



13AY609G766 Bronco (2004)  
Deck Assembly

Page 4 of 20

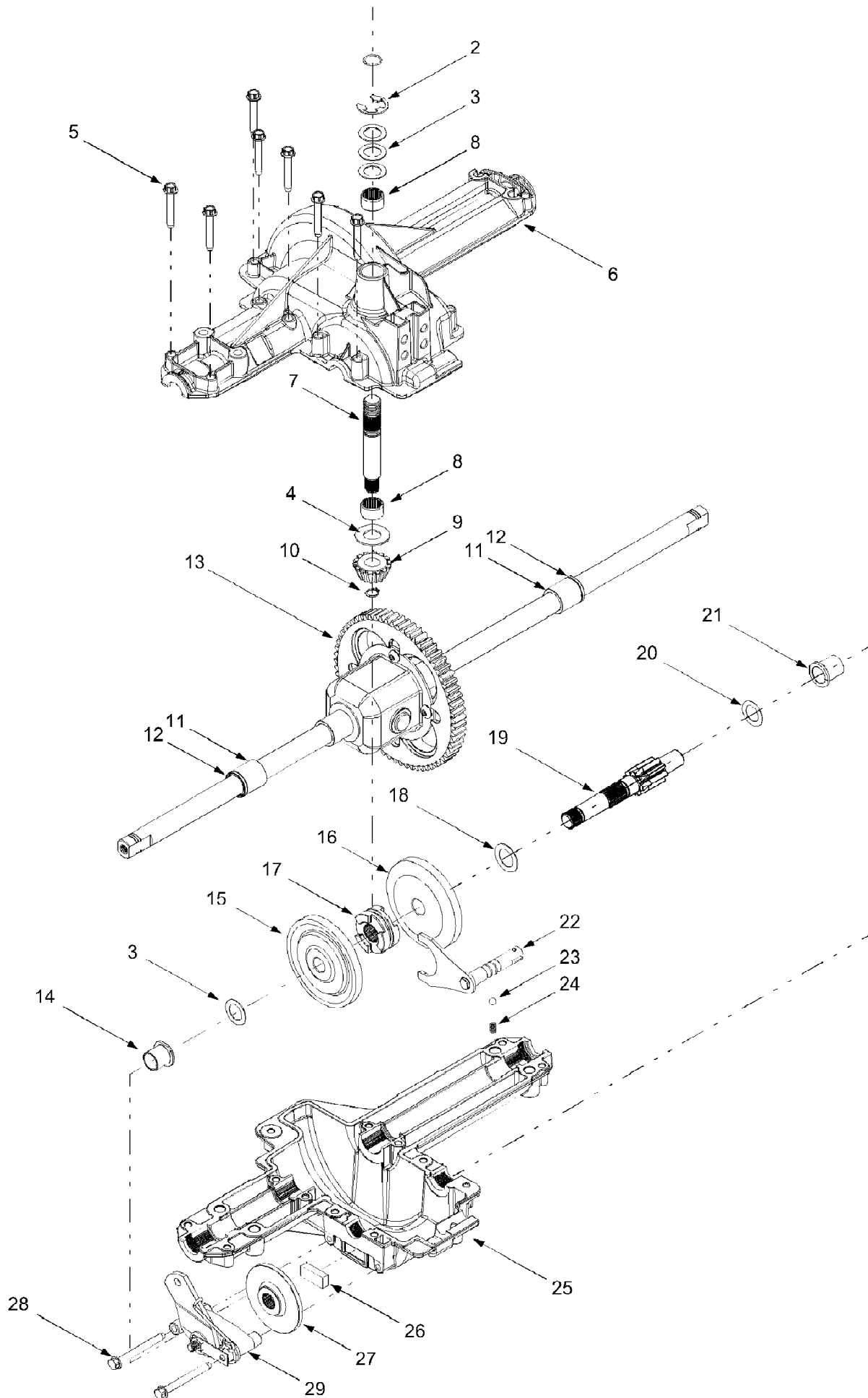
Ref #	Part Number	Qty	S/P/F	Description
1	711-04069	1	S	Grass Catcher Pin, 1/4-20
2	618-0565	1	S	Spindle Assy., 5.75 Dia. w/ Fitting
3	683-0198G	1	S	42-inch Deck Shell
4	683-0254	1	S	Deck Adj. Bracket w/ Weld Nut
5	736-0140	1	S	Flat Washer, .385 x .62 x .063
6	710-0520	1	/P	Hex Cap Screw, 1/4-20 x 1.5
7	710-0528	1	/P	Hex Cap Screw, 5/16-18 x 1.25
8	710-0726	1	/P	Self-tapping Screw, 5/16-12 x .75
9	710-0751	1	/P	Hex Cap Screw, 1/4-20 x .62
10	710-1238	1	/P	Hex Hd. Washer Scr., 5/16-18 x .875
11	710-0650	1	/P	Self-tapping Screw, 5/16-18 x .875
12	710-3151	1	/P	Hex Cap Screw, 5/8-18 x .875
13	712-0337	1		Hex Nut, 5/8-18
14	712-0417A	1	/P	Hex Flange Nut, 5/8-18
15	712-0431	1	S	Flange Lock Nut, 3/8-16
16	712-0429	1	S	Flange Lock Nut, 5/16-18
17	712-3006	1	/P	Hex Nut, 1/4-20
18	712-0324	1	/P	Hex Lock Nut, 3/8-16
19	714-0470	1	S	Cotter Pin, 1/8 x 1.25
20	716-3020	1	S	Internal Snap Ring
21	717-04074	1	S	Deck Adjustment Gear
22	726-0233	1	/P	Push Nut. .25 x .5
23	731-1032B	1	S	Side Discharge Chute Assembly
24	731-2486A	1	/P	Belt Cover
25	732-0306A	1	S	Comp. Spring, .406 x .531 x 1.75
26	732-0470A	1	S	Extension Spring, .50 x 4.74
27	734-0973	1	/P	Deck Wheel, 5 x 1.38
28	710-0134	1	/P	Carriage Screw, 1/4-20 x .5
29	736-0119	1	S	Lock Washer, 5/16
30	736-0158	1	S	Lock Washer, 5/8
31	736-0162	1	/P	Flat Washer, .64 x 1.0 x .12
32	736-0270	1	/P	Bell Washer, .265 x .75 x .062
33	738-0373	1	S	Shoulder Screw, .498 x 1.53
34	741-0524	1	S	Bearing, .625 x 1.574 x .470
35	742-0616A	1	S	Blade, Star Center, 21.23"
36	747-1116	1	/P	Deck Release Pin
37	748-0331	1	S	Shoulder Spacer, .625 x .324
38	750-0932A	1	S	Spacer, .635 x .88 x 1.72
39	683-0440	1		Deck Brake Assembly
40	754-0498	1	S	Deck Belt
41	756-0627B	1	S	Idler Pulley, 3.5
42	756-1202	1		Double Pulley, 5.0
43	710-1830	1		Self-tapping Screw, 1/4-20 x 4.0
44	746-0970	1		Brake Cable, 5.05
45	783-1291	1	S	Idler Bracket
46	711-1534	1		Pin, 3/8-16, 3/8 x 3.27
47	731-2363	1	/P	Mulch Plug
48	712-3087	1	/P	Wing Nut
49	710-0599	1	/P	Self-Tapping Screw, 1/4-20 x .5
50	783-1146A	1	S	Deck Skirt
51	712-0641	1	S	Hex Nut, M-16 x 1.5
52	721-0417	1	S	O-Ring
53	737-04003B	1	S	Water Nozzle

13AY609G766 Bronco (2004)  
Deck Assembly

Page 5 of 20

Ref #	Part Number	Qty	S/P/F	Description
54	736-0760	1	S	Lock Washer
55	710-3180	1	/P	Hex Bolt, 5/16-18 x 1.75
56	732-1165	1	S	Extension Spring
57	783-04013A	1		Stab. Bracket: Pulley
58	712-3010	1	S	Hex Nut

13AY609G766 Bronco (2004)  
Differential Assembly

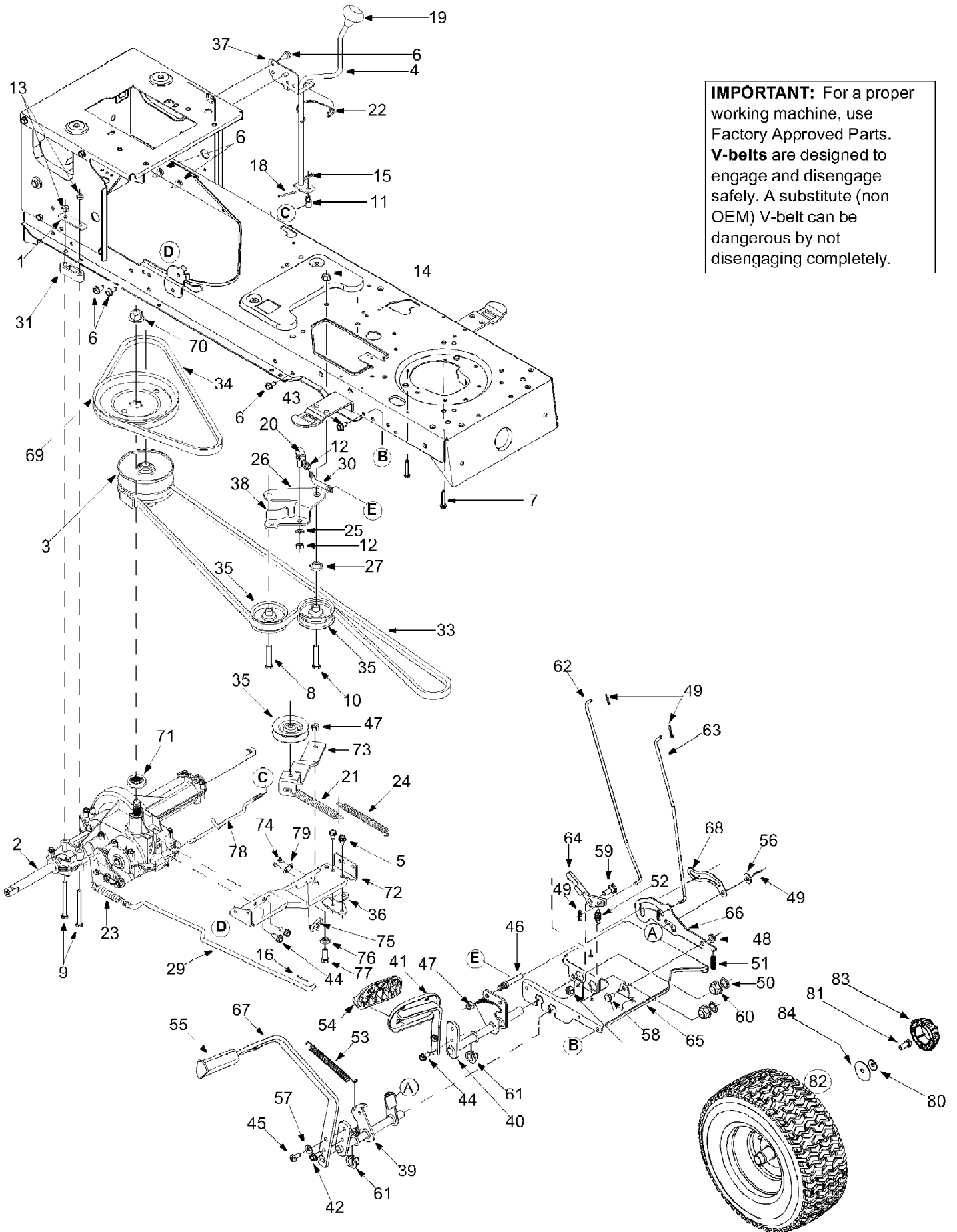


13AY609G766 Bronco (2004)  
Differential Assembly

Page 7 of 20

Ref #	Part Number	Qty	S/P/F	Description
1	732-0614	1		Ring, Wire
2	716-0231	1	S	Ring, E Type, .750
3	736-0336	1	S	Flat Washer, 5/8 x 1.0 x .030 Use applicable flat washer (12a, 12b or 12c) in this application allowing .0150/.0020 in end-play
	736-0337	1	S	Flat Washer, 5/8 x 1.0 x .040 Use applicable flat washer (12a, 12b or 12c) in this application allowing .0150/.0020 in end-play
	736-0349	1	S	Flat Washer, 5/8 x 1.0 x .020 Use applicable flat washer (12a, 12b or 12c) in this application allowing .0150/.0020 in end-play
4	736-0335	1	S	Washer, Thrust .635 x 1.26 x .06
5	710-1325	1	/P	Self-tapping Screw, 1/4-20 x 1.625
6	719-04017	1	S/F	Upper Housing
7	711-1109	1		Input Shaft
8	741-0335	1	S	Needle Bearing, .625 x .813 x .495
9	717-1464	1		14-tooth Bevel Pinion
10	716-0108	1	S	Retaining Ring, .437
11	741-0340	1	S	Sleeve Bearing, .75 x 1.0 x 1.0
12	721-0338	1	S	Seal, .75 x 1.0 x .125
13	618-04041	1	S	Differential Assembly
14	741-0336	1	S	Flange Bearing, 5/8 x 3/4 x 3/4
15	717-1362	1	S	42-tooth Bevel Gear
16	717-1363	1	S	42-tooth Bevel Gear
17	718-0228	1		Clutch Collar
18	736-0519	1	S	Flat Washer, .70 x 1.125 x .031
19	711-04053	1	S	Drive Shaft
20	736-0495	1	S	Thrust Washer, 1.0 x .632 x .0
21	741-0337	1	S	Flange Bearing, 5/8 x 3/4 x 15/16
22	611-0011	1	S	Detent Shaft Assembly
23	741-0862	1	/P	Detent Ball
24	732-0863	1	S	Compression Spring
25	719-04018	1	S	Lower Housing
26	717-0678	1	S	Brake Puck
27	761-0202	1		Brake Disc
28	710-1206	1	/P	Self-tapping Screw, 1/4-20 x 2.375
29	661-0001	1	S	Brake Assembly
	737-0148	1	S	Grease (19 oz.)

13AY609G766 Bronco (2004)  
Drive, Controls, Rear Wheels





13AY609G766 Bronco (2004)  
Drive, Controls, Rear Wheels

Page 9 of 20

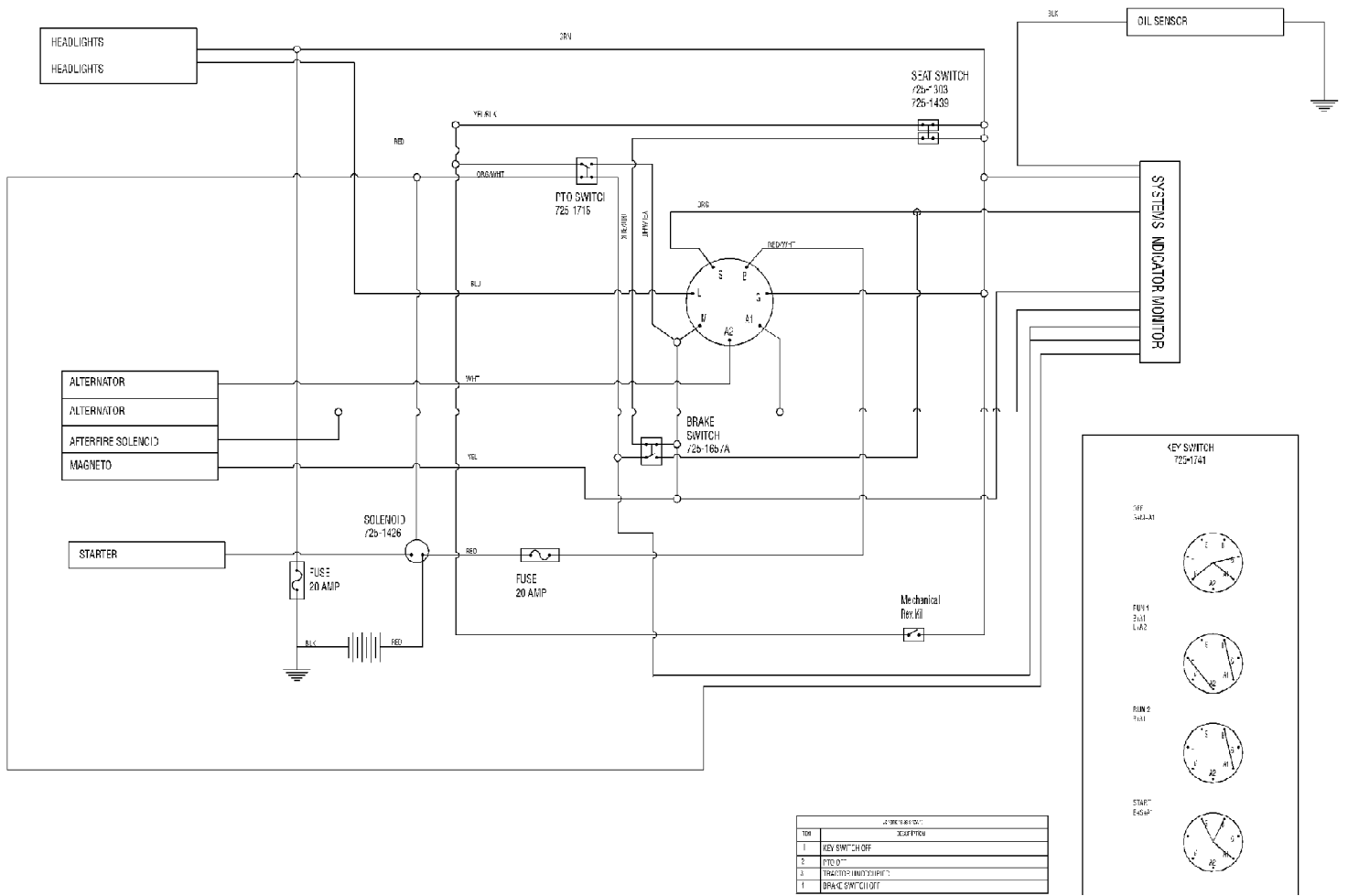
Ref #	Part Number	Qty	S/P/F	Description
1	17840	1	S	Mounting Bracket
2	618-04133	1	S	Drive Assembly
3	618-04147	1	S	Variable Spd. Pulley Assembly
4	647-04020	1		Shift Lever Assembly
5	710-0607	1	/P	TT Screw 5/16-18 x 0.5
6	710-0726	1	/P	AB Screw 5/16-12 x 0.75
7	710-0809	1		TT Screw 1/4-20 x 1.25
8	710-1007	1	/P	TT Sems Screw 3/8-16 x 1.5
9	710-1266	1	/P	Hex Bolt 5/16-18 x 3.5
10	710-3144	1	/P	Hex Bolt 3/8-16 x 2.0
11	711-0736	1	/P	Ferrule
12	712-0241	1	/P	Hex Nut 3/8-24
13	712-0429	1	S	Hex Lock Nut 5/16-18
14	712-0431	1	S	Flange Lock Nut 3/8-16
15	714-0104	1	S	Hairpin Clip
16	714-0111	1	S	Cotter Pin
17	714-0209	1	S	Hairpin Clip
18	714-0470	1	S	Cotter Pin
19	720-04028	1		Shift Knob
20	723-3018	1	S	Ball Joint
21	732-0384	1	S	Extension Spring
22	732-0525	1		Spring Clip
23	732-0716	1	S	Extension Spring
24	732-0963	1		Extension Spring
25	736-0169	1	S	Lock Washer 3/8
26	737-3007	1		Grease
27	738-0372B	1	/P	Shoulder Spacer
28	747-04146	1	S	Shift Rod
29	747-04164	1		Brake Rod
30	747-1127	1		Idler Adj. Rod
31	748-0334	1	S	Spacer: Transaxle
32	750-0566A	1	/P	Spacer
33	754-0467	1	S	V Belt
34	754-0468	1	S	V Belt
35	756-0981A	1	S	Flat Idler Pulley
36	783-04283	1		Shift Bracket
37	783-04360	1		Shift Bracket
38	783-04442	1		Double Idler Bracket: Center
39	647-0031C	1	S	Brake Control Assembly
40	647-0032A	1	S	Speed Control Assembly
41	683-0266	1		Drive Pedal Assembly
42	710-0650	1	/P	TT Screw 5/16-18 x 0.875
43	710-0726	1	/P	AB Screw 5/16-12 x 0.75
44	710-1260A	1	/P	LD Screw 5/16-18 x 0.75
45	710-1611B	1	/P	TT Screw 5/16-18 x 0.75
46	711-04159	1	S	Pin
47	712-0130	1	/P	Hex Lock Nut 3/8-16
48	712-3004A	1	/P	Flange Lock Nut
49	714-0104	1	S	Cotter Pin
50	726-04028	1		Push Nut
51	732-0335	1		Compression Spring
52	732-0955	1		Extension Spring
53	732-0963	1		Extension Spring

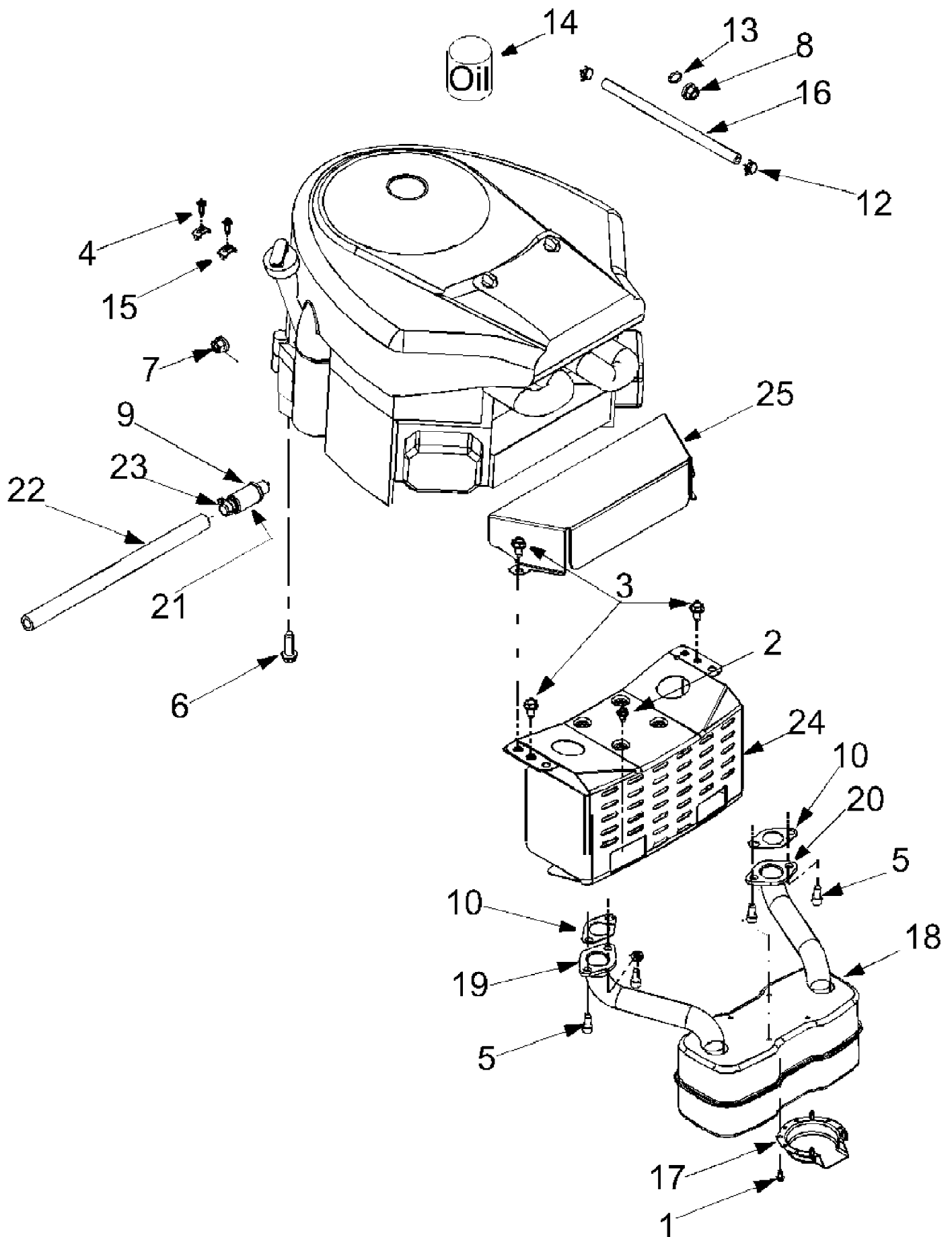
13AY609G766 Bronco (2004)  
Drive, Controls, Rear Wheels

Page 10 of 20

Ref #	Part Number	Qty	S/P/F	Description
54	735-0662	1		Control Pad
55	735-3049	1	S	Brake Pad
56	736-0262	1	/P	Flat Washer
57	736-3008	1	S	Flat Washer
58	738-0155	1	S	Shoulder Screw
59	738-0380	1	S	Shoulder Screw
60	741-0225	1	S	Hex Flange Bearing
61	741-3065B	1	/P	Hex Flange Bearing: Split
62	747-04093	1		Brake Lock Rod
63	747-04096	1		Cruise Control Rod
64	748-04039	1	S	Cruise Latch
65	783-0653F	1	S	Steering Support Bracket
66	783-0732	1	S	Lock-Out Bracket
67	783-0773A	1		Brake Pedal
68	783-0780B	1	/P	Neutral Return Bracket
69	756-04002	1	S	Transmission Pulley
70	712-0700	1	/P	Flange Nut 9/16-18
71	718-0758A	1	S	Pulley Hub
72	683-04055	1	S	Transmission Torque Bracket
73	683-04130	1	S	Idler Bracket
74	710-0227	1	/P	AB Screw #8-18 x 0.5
75	725-1644	1		Spring Switch
76	750-0736	1	S	Shoulder Spacer
77	710-0514	1	/P	Hex Bolt 3/8-16 x 1.0
78	747-04146	1	S	Shift Rod
79	726-0320	1	S	Insulator Nut Plate
80	736-0242	1	/P	Bell Washer
81	710-0627	1	/P	Hex Cap Screw
82	634-0104	1		Wheel Assembly
82	634-0070	1	/P	Rim Assembly
82	734-0255	1	S	Air Valve
82	734-1730	1		Tire
83	731-2290A	1	/P	Hub Cap
84	736-0430	1	/P	Flat Washer

13AY609G766 Bronco (2004)  
Electrical

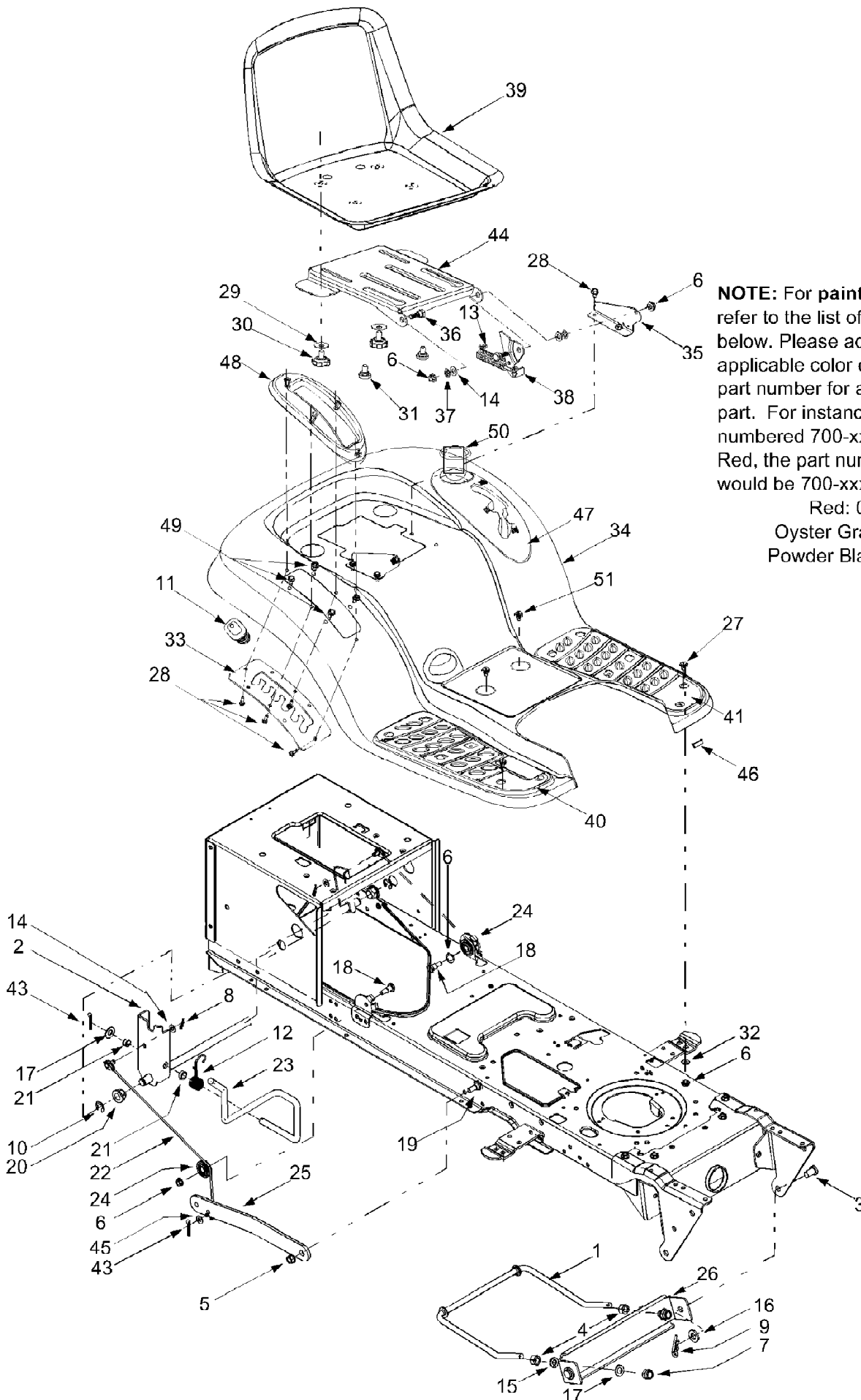




13AY609G766 Bronco (2004)  
Engine Accessories

Page 13 of 20

Ref #	Part Number	Qty	S/P/F	Description
1	710-0227	1	/P	AB Screw 38-18 x 0.5
2	710-0599	1	/P	TT Screw 1/4-20 x 0.5
3	710-0726	1	/P	AB Screw 5/16-20 x 0.75
4	710-1237	1		T Screw #10-32 x 0.625
5	710-1314A	1	/P	Socket Hd. Scr. 5/16-18 x 0.75
6	710-1315	1	/P	TT Screw 3/8-16 x 1.25
7	712-0271	1	/P	Sems Nut
8	712-3017	1	S	Hex Nut
9		1		Pipe Sealant
10	721-0460	1		Exhaust Gasket
11	725-0157	1	/P	Cable Tie (not shown)
12	726-0205	1	/P	Hose Clamp
13	736-0300	1	S	Flat Washer
14		1		Oil: SAE 30W
15	751B221535	1	/P	Clamp: Casing
16	751-0535	1		Fuel Line Hose
17	751-0564A	1	S	Deflector: Muffler
18	751-0616A	1	S	Dual Inlet Muffler
19	751-0650A	1	S	Exhaust Pipe RH
20	751-0651A	1	S	Exhaust Pipe LH
21	751-3140	1	S	Oil Drain
22	751-3141	1	S	Extension Hose: Oil Drain
23	751-3142	1		Oil Drain Cap
24	783-0615B	1	S	Heat Shield: Muffler
25	783-0625C	1	/P	Heat Shield: Single



**NOTE:** For painted parts, refer to the list of color codes below. Please add the applicable color code to the part number for a replacement part. For instance, if a part numbered 700-xxxx is painted Red, the part number to order would be 700-xxxx-0638.

- Red: 0638
- Oyster Gray: 0662
- Powder Black: 0637

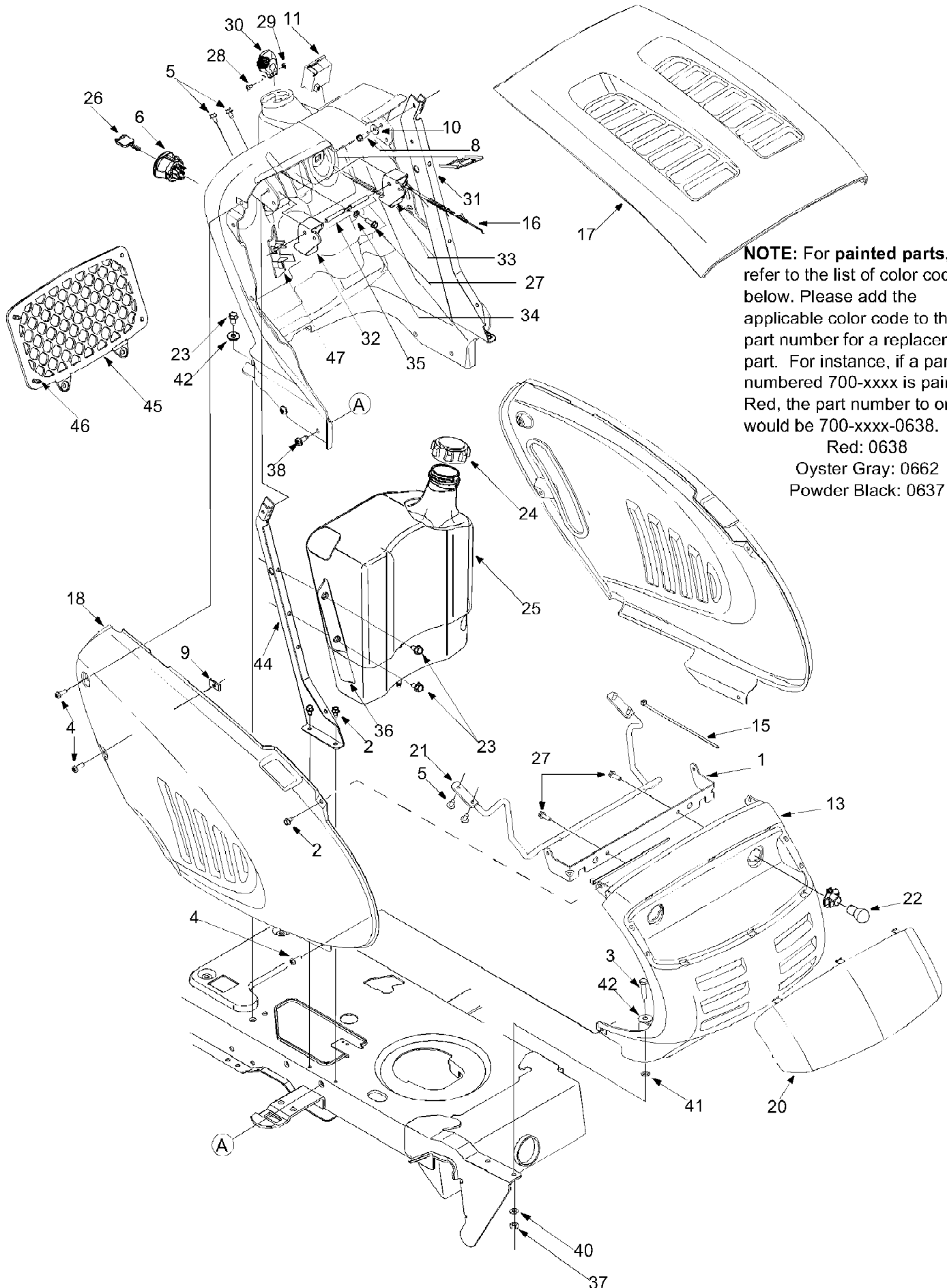
13AY609G766 Bronco (2004)  
Fender & Seat

Page 15 of 20

Ref #	Part Number	Qty	S/P/F	Description
1	747-1130B	1	/P	Deck Stabilizer Rod
2	683-0197B	1	S	Lift Shaft Assembly
3	711-0332	1	S	Clevis Pin, .5 x .78
4	712-0206	1	S	Hex Nut, 1/2-13
5	712-0431	1	S	Flange Lock Nut, 3/8-16
6	712-0429	1	S	Flange Lock Nut, 5/16-18
7	712-3083	1	/P	Hex Nut, 1/2-13
8	714-0104	1	S	Internal Cotter Pin
9	714-0145	1	S	Internal Cotter Pin
10	716-0106	1	/P	E-Ring
11	720-0311	1		Handle Grip
12	732-0874	1	/P	Torsion Spring
13	732-1184	1	/P	Extension Spring, .84 x 4.6
14	736-0275	1	S	Flat Washer, 5/16
15	736-0921	1	S	Lock Washer, 1/2
16	736-3019	1		Flat Washer, .531 x 1.062 x .134
17	736-3084	1	/P	Flat Washer, .51 x 1.12 x .06
18	738-0138A	1	/P	Hex Cap Screw, 5/16-18 x .62
19	738-0143	1	/P	Shoulder Screw, 3/8-16
20	741-0225	1	S	Hex Flange Bearing
21	741-0715	1	S	Snap Flange Bearing
22	746-0968	1		Lift Cable, 16.16 (J609)
	746-1144	1		Lift Cable, 15.62 (T/Y609)
23	747-1111A	1	/P	Lift Handle
24	756-1154	1		Roller Pulley
25	783-0678A	1	S	Lift Arm
26	783-0720A	1	S	Deck Stabilizer Bracket
27	710-0260A	1	/P	Carriage Bolt, 5/16 x .62
28	710-0604A	1	/P	Self-tapping Screw, 5/16-18 x .625
29	736-0331	1	/P	Bell Washer, .390 x 1.13 x .062
30	720-04009	1	S	Knob, 3/8-16
31	738-04012	1	S	Shoulder Screw
32	736-3078	1	/P	Flat Washer, .349 x 1.0 x .063
33	783-1010A	1	S	Lift Adjustment Bracket
34	783-04314	1	S	Fender
35	783-1489	1	S	Seat Mounting Bracket
36	738-0296	1	S	Shoulder Screw
37	726-0201	1		Speed Clip
38	783-0209A	1	S	Seat Lift Bracket
39	757-04001	1	S	Seat: Low Back - Bronco
	957-04009A	1	/P	Seat: Med Back - Super Bronco
40	735-0672	1		RH Foot Pad, Rubber
41	735-0673	1		LH Foot Pad, Rubber
42	726-3046	1	/P	Foot Pad Clips
43	714-0111	1	S	Cotter Pin
44	783-04081	1	S	Seat Pivot Bracket
45	736-0204	1	/P	Flat Washer, .344 x .62
46	731-0511	1	/P	Trim Strip
47	731-1990	1		Lift Lever Cover
48	731-2104B	1	S	Shift Lever Cover w/ Cup Holder
49	710-0895	1		Self-Tapping Screw, 1/4-15 x .75
50	731-04591	1	S	Cup Holder
51	710-0599	1	/P	TT Screw, 1/4-20 x 0.5

13AY609G766 Bronco (2004)  
Hood & Electrical

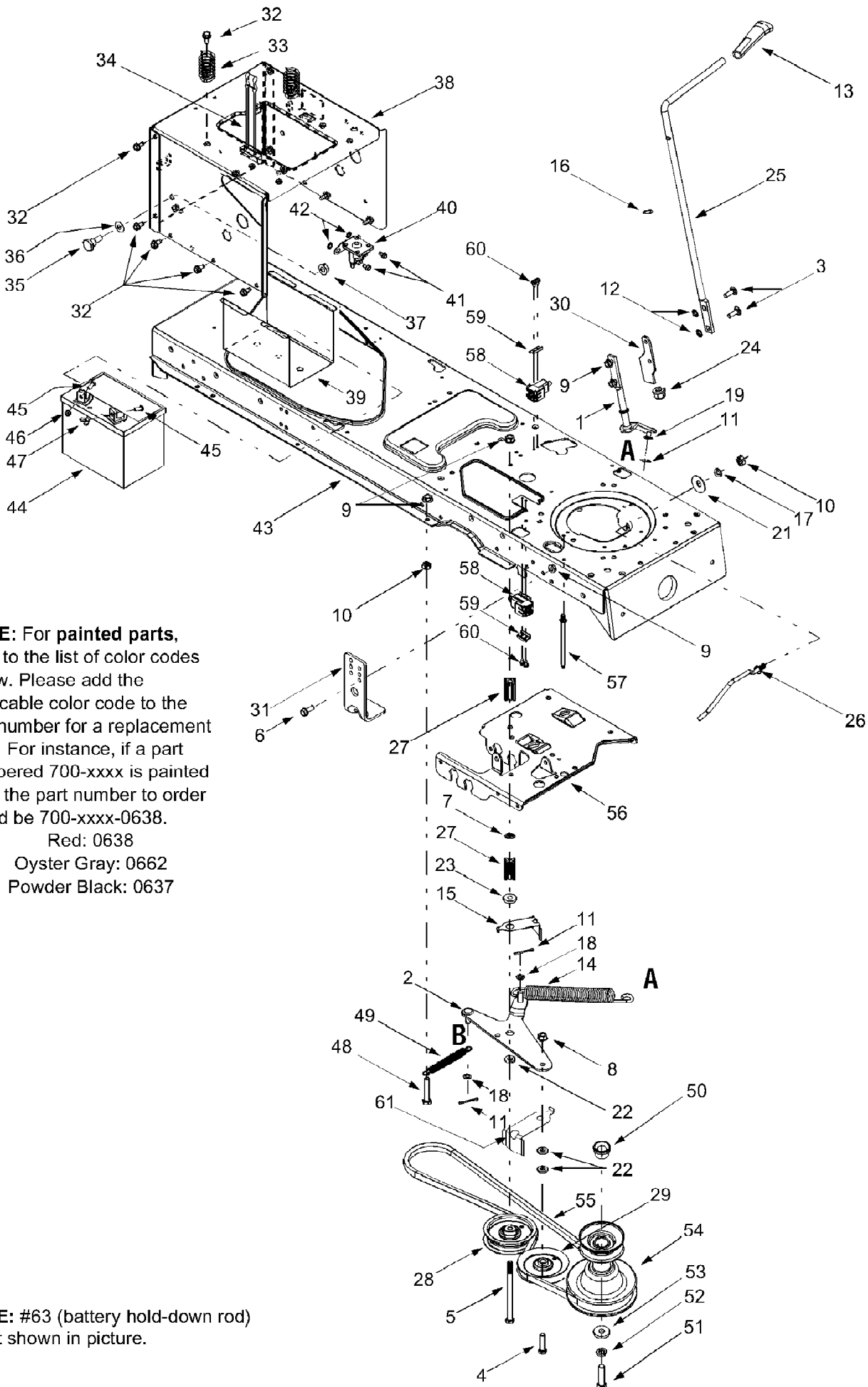
Page 16 of 20





Ref #	Part Number	Qty	S/P/F	Description
1	783-1346	1	S	Grill Support Bracket (9-style)
2	710-0599	1	/P	Self-tapping Screw, 1/4-20 x .5
3	710-0528	1	/P	Hex Cap Screw, 5/16-18 x 1.25
4	710-0924	1	/P	Phillips Pan Screw, 1/4-20 x .75
5	710-1017	1	/P	Truss Phillips Screw, 1/4-20 x .625
6	725-1741	1	S	Ignition Switch
7	735-04019	1	S	Side Panel Seal
8	710-0642	1	/P	Self-tapping Screw, 1/4-20 x .75
9	712-0292	1	/P	U-type Speed Nut, 1/4-20
10	736-0270	1	/P	Bell Washer, .265 x .75 x .062
11	725-04036	1	S	Systems Indicator Monitor
12	712-3004A	1	/P	Hex Nut, 5/16-18
13	731-2119A	1	S	Grille (9-style)
15	725-0157	1	/P	Cable Tie, 3/16 x .05 x 7.4
16	746-1085	1	S	Choke Knob/Cable (Model LTX-2146)
17	783-0783	1	S	Hood (9-style)
18	783-0784	1		RH Side Panel (9-style)
19	783-04200	1		LH Side Panel (9-style)
20	731-2637	1	S	Headlight Lens (9-style)
21	747-2138	1	/P	Hood Hinge Rod
22	625-0051	1	S	Headlight Assembly
23	710-0726	1	/P	Self-tapping Screw, 5/16-12 x .75
24	751-0603	1	S	Fuel Cap
25	751-0658D	1	S	Fuel Tank, Three-Gallon
26	725-1745	1	S	Ignition Key w/ plastic cover
	725-1744	1	S	Ignition Key w/o plastic cover
27	710-0895	1		Self-tapping Screw, 1/4-15 x .75
28	710-3217	1	/P	Truss Phillips Screw, #8-32 x .375
29	712-0142	1	/P	Hex Nut, #8-32
30	731-1857	1		Throttle Control Knob
31	731-2122C	1	/P	Dash Panel
32	731-04215	1	S	Cruise Control Button
33	731-04217	1	S	Parking Brake Button
34	736-0142	1	S	Flat Washer, 9/32 x 1/2 x 1/16
35	747-1196	1		Brake/Cruise Pivot Rod
36	783-04285	1	S	Dash Support Plate RH
	783-04323	1	S	Dash Support Plate LH
37	712-3010	1	S	Hex Nut, 5/16-18
38	710-1611B	1	/P	Self-tapping Screw, 5/16-18 x .75
39	726-3046	1	/P	Ratchet Clip
40	736-0119	1	S	Lock Washer, 5/16
41	726-0201	1		Speed Nut, .3125
42	736-3078	1	/P	Flat Washer, .349 x 1.0 x .063
43	710-1238	1	/P	Screw, 5/16-18 x .875 (Grade 5)
44	747-04158	1		Fuel Tank Support RH
	747-04161	1		Fuel tank Support LH
45	735-04023	1		Cargo Net (If Equipped)
46	726-04029	1		Clip: Cargo Net (If Equipped)
47	731-2228	1		Cover: Cruise Control
	629-0469A	1	S	Headlight Wire Harness (Not Shown)
	629-04050	1	S	Tractor Wire Harness (Not Shown)

13AY609G766 Bronco (2004)  
PTO & Battery



**NOTE:** For painted parts, refer to the list of color codes below. Please add the applicable color code to the part number for a replacement part. For instance, if a part numbered 700-xxxx is painted Red, the part number to order would be 700-xxxx-0638.

Red: 0638

Oyster Gray: 0662

Powder Black: 0637

**NOTE:** #63 (battery hold-down rod) is not shown in picture.

13AY609G766 Bronco (2004)  
PTO & Battery

Page 19 of 20

Ref #	Part Number	Qty	S/P/F	Description
1	647-0064	1	/P	PTO Engage Lever Assembly
2	683-0450	1	/P	PTO Engage Plate Assembly
3	710-0276	1	/P	Carriage Screw, 5/16-18 x 1.00
4	710-0520	1	/P	Hex Cap Screw, 3/8-16 x 1.5
5	710-0831	1		Hex Cap Screw, 3/8-16 x 5.5
6	710-0726	1	/P	AB Screw 5/16-12 x 0.75
7	712-0229	1		Push Nut, 3/8
8	712-0431	1	S	Flange Lock Nut, 3/8-16
9	712-3004A	1	/P	Flange Lock Nut, 5/16-18
10	712-3010	1	S	Hex Nut, 5/16-18
11	714-0470	1	S	Cotter Pin, 1/8 x 1.25
12	726-0201	1		Speed Nut, .3125
13	731-2111A	1	S	PTO Knob
14	732-1170	1		Extension Spring, .75 x 6.75
15	732-0991A	1	/P	Belt Guard
16	736-0108	1	S	Flat Washer, .510 x .750 x .033
17	736-0119	1	S	Lock Washer, 5/16
18	736-0140	1	S	Flat Washer, .385 x .62 x .063
19	736-0275	1	S	Flat Washer, 5/16
20	736-3000	1		Flat Washer, .406 x .875 x .059
21	736-0242	1	/P	Bell Washer
22	736-3039	1	S	Flat Washer
23	738-0372B	1	/P	Shoulder Spacer, .380
24	741-0708	1		Hex Split Flange Bearing, .5
25	747-1112D	1	S	PTO Engage Handle
26	747-1286A	1	/P	Belt Keeper Rod
27	748-0415A	1	S	Spacer, 3/8 x 1.54
28	756-0627B	1	S	Idler Pulley, 3.5
29	756-1208	1		Idler Pulley, 4.0
30	783-0744A	1		Engagement Stop
31	783-0891B	1		Deck Stop
32	710-0604A	1	/P	Self Tapping Screw, 5/16-18 x .625
33	732-04035	1		Compression Spring, 1.28 x 3.125
34	723-0444	1		Battery Strap
35	738-1020	1		Shoulder Screw, .625 x .5, 7/16-20
36	736-0407	1		Bell Washer, .45 x 1.0 x .062
37	712-0459	1	/P	Flange Lock Nut, 7/16-20
38	783-1031A	1		Hitch Plate
39	783-0349	1		Battery Tray
40	725-1426	1	S	Solenoid, 12-Volt, 100 Amp
41	710-0599	1	/P	Self Tapping Screw, 1/4-20 x .5
42	736-0222	1	S	Lock Washer, 1/4
43	683-0304C	1		Lower Frame Assembly
44	725-1737A	1	S	12-volt Battery, 190 CCA (Model J609)
44	725-1706A	1	S	12-volt Battery, 270 CCA (Model T609)
45	710-0751	1	/P	Hex Cap Screw, 1/4-20 x .62
46	712-0271	1	/P	Hex Sems Nut, 1/4-20
47	712-3044	1		Wing Nut, 1/4-20
48	710-3180	1	/P	Hex Cap Screw, 5/16-18 x 1.75
49	732-1165	1	S	Extension Spring, .50 x 5.0
50	750-0596	1		Spacer Cup
51	710-3029	1	/P	Hex Head Cap Screw, 7/16-20 x 1.25
52	736-0171	1	S	Lock Washer, 7/16

13AY609G766 Bronco (2004)  
PTO & Battery

Page 20 of 20

Ref #	Part Number	Qty	S/P/F	Description
53	736-0322	1	/P	Flat Washer, .450 x 1.25
54	756-0982B	1	/P	Engine Pulley, 3.56 OD x 5.56
55	754-0497	1	S	PTO Belt
56	783-0653F	1	S	Steering Support Bracket
57	711-1044	1	S	Keeper Pin, 5/16 x 4.75
58	725-1657A	1	S	Switch
59	17962	1		Switch Plate
60	710-0224	1	S	Screw, #10-16 x .5
61	732-1013	1		Belt Guard
62	736-0300	1	S	Flat Washer
63	747-04121A	1		Battery Hold-Down Rod (Not shown)