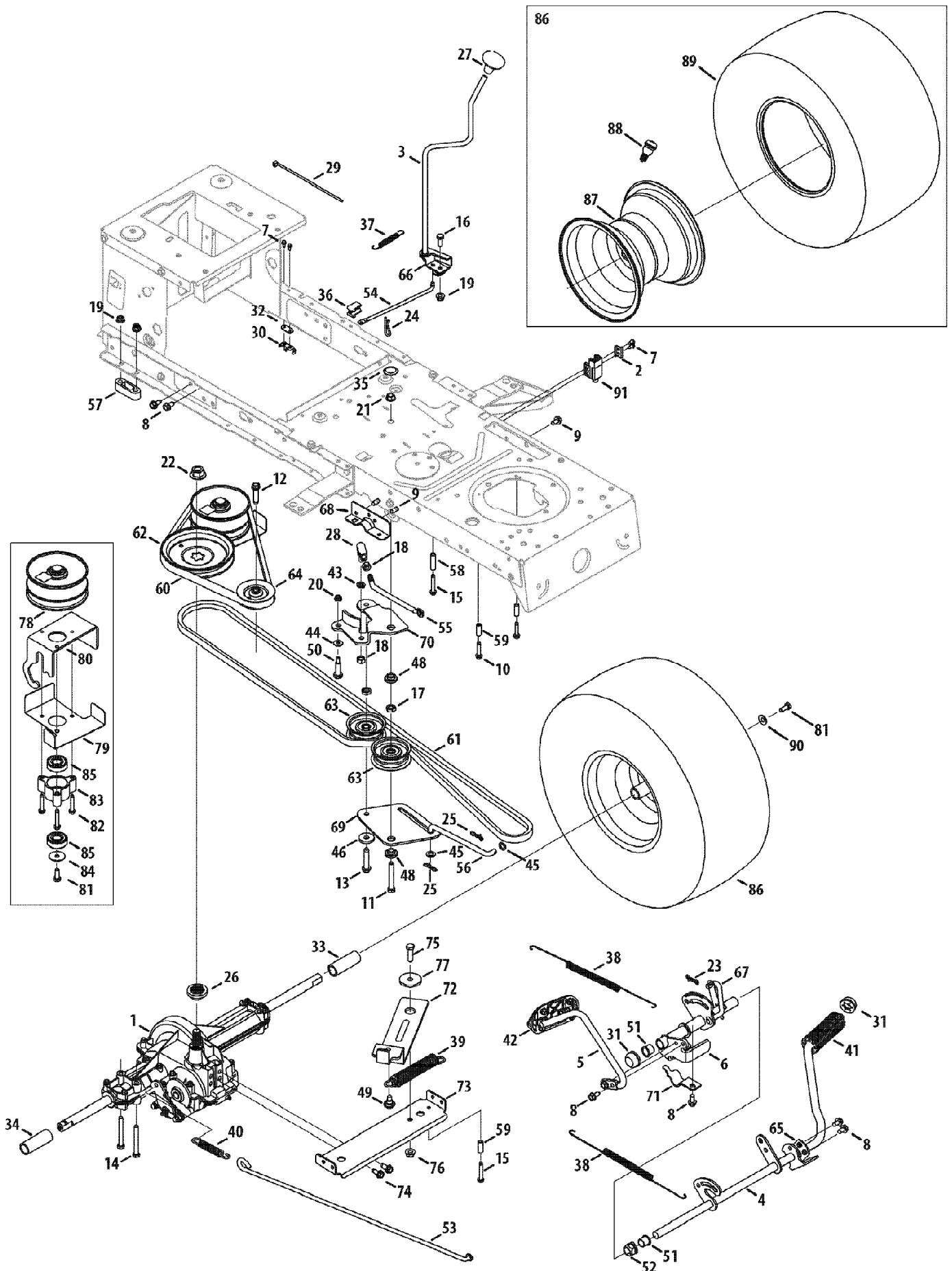


13AX78KS011 Bronco (2010)  
Drive & Transmission



13AX78KS011 Bronco (2010)  
Drive & Transmission

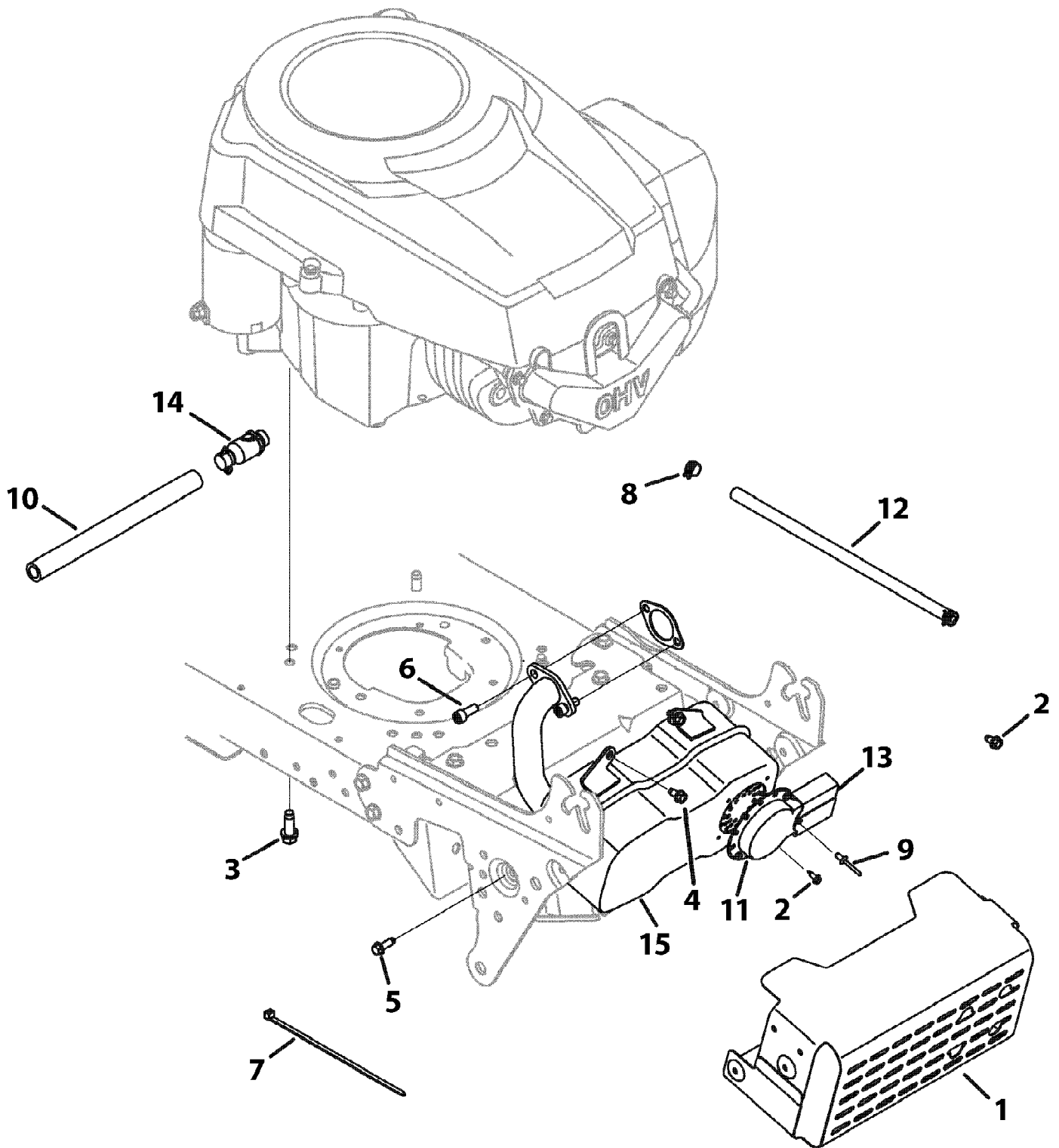
Page 2 of 22

Ref #	Part Number	Qty	S/P/F	Description
1	918-04566	1	/P	Drive Assembly, AutoDrive
2	17962	1		Plate Switch
3	647-04035	1		Lever Assembly, Shift
4	647-04201-0637	1		Pedal Assembly, Drive
5	647-04203-0637	1	/P	Pedal Assembly, Control
6	683-04607	1		Bracket Assembly, Pedal
7	710-0227	1	/P	Screw, ab, #8-18, 0.500, Hxindwsh
8	710-04484	1		Screw, tt, 5/16-18, .750, Hxindwsh
9	710-0604A	1	/P	Screw, tt, 5/16-18, 0.625, Hxindwsh
10	710-0809	1		Screw, tt, 1/4-20, 1.250, Hxindwsh
11	710-0859	1	/P	Hhcs, 3/8-16, 2.50, Gr5, Std
12	710-1007	1	/P	Screw, ttsems, 3/8-16, 1.500, Hxlvsh
13	710-1008	1		Screw, ttsems, 3/8-16, 1.875, Hxlvsh
14	710-1266	1	/P	Hhcs, 5/16-18, 3.50, Gr5, Std
15	710-1325	1	/P	Screw, tt, 1/4-20, 1.625, Hxindwsh
16	710-3008	1	/P	Hhcs, 5/16-18, .75, Gr5, Std
17	912-0240	1	/P	Nut, jam, 7/16-20, Gr2
18	712-0241	1	/P	Nut, hex, 3/8-24, Gr5
19	712-04063	1	/P	Nut, flglk, 5/16-18, Grf, nylon
20	712-04064	1	/P	Nut, flglk, 1/4-20, Grf, nylon
21	912-0431	1	/P	Nut, flglk, 3/8-16, Grf, top Lk
22	712-0700	1	/P	Nut, flg, 9/16-18, Gr2
23	914-0111	1	/P	Pin, cot, 3/32, 1.0
24	914-0209	1	/P	Pin, cotter Int- .125 Dia
25	714-04040	1		Pin, cotter, bow-Tie 72
26	718-04407	1		Hub, Pulley, 5/8 Spline
27	720-04028	1		Knob, Shift
28	923-3018	1	/P	Ball, joint
29	725-0157	1	/P	Cable, tie, 3/16 X .05 X 7.4
30	725-1644	1		Switch, Springing, Short
31	726-0214	1	/P	Cap, push 5/8
32	926-0320	1	/P	Plate, Insulator Nut
33	731-04602	1		Sleeve, .758 X .821 X 3.3125
34	731-04604	1		Sleeve, .758 X .821 X 2.4375
35	731-06330	1		Plug, deck Hole, 7/8
36	731-06894	1		Bearing, Shift Rod
37	732-04488	1		Spring, extension, .38 Od X 3.25 Lg
38	732-04612	1		Spring, extension, .70 Dia X 12.00 Lg
39	732-04616	1		Spring, extension, .97 Od X 6.18 Lg
40	732-0716D	1	/P	Spring, extension, .59 Od X 4.00 Lg
41	735-0239	1	/P	Pad, foot, 4.0 Long
42	735-0662	1		Pad, Control
43	936-0169	1	/P	Washer, lock, 3/8, Regular Duty
44	736-0173	1	/P	Washer, flat, .28 X .74 X .063
45	936-0185	1	/P	Washer, flat, .375 X .738 X .063
46	736-0322	1	/P	Washer, flat, .450x1.250x.164, Ht
48	738-0372B	1	/P	Spacer, Drive, 1.00 X .38 X .38
49	738-04091A	1	/P	Screw, Drive, .43x.29, Tt, 5/16-18
50	938-0572	1	/P	Screw, shld, .374 Dia. X 1.16 Lg.
51	741-0495	1	/P	Bearing, flg, .630 ldx .695 Od X .60
52	741-3065B	1	/P	Bearing, hex Flg, .628 ld, split
53	747-05188	1		Rod, brake,Trans
54	747-05243	1		Rod, shift, 46"

13AX78KS011 Bronco (2010)  
Drive & Transmission

Page 3 of 22

Ref #	Part Number	Qty	S/P/F	Description
55	747-05251A	1		Rod, adj, Idler, 3/8
56	747-05307	1		Rod, trans, footPedalal Bypass
57	948-0334	1	/P	Spacer, T-Axle .68
58	750-04456	1		Spacer, .260 X .372 X 1.420 Lg
59	750-0566A	1	/P	Spacer, .260 X .375 X 1.030 Lg
60	954-04208	1	/P	Belt, v Typ, 5l X 40.9 Lg Poly
61	954-0467	1	S	Belt, v Typ, 5l, 90.80, Poly
62	956-04002	1	/P	Pulley, v Typ, 7.25 Dia Spun
63	756-04224	1	/P	Pulley, Idler, flat 2.75 Od
64	756-04325	1	/P	Pulley, Idler, v-Type X 3.06
65	783-04536B-0637	1	/P	Bracket, Pedal, support
66	783-04595A	1		Bracket, Shift, adj
67	783-06278	1		Plate, Bracket, reinforcement
68	783-06562-0637	1		Bracket, Pedal, frame Rh
69	783-06570	1		Bracket, Idler, center Dbl
70	783-06592	1		Bracket, Idler, dbl AutoDriveive Lt-5
71	783-06641	1		Bracket, supt, Pedalal Stap
72	683-04521	1		Bracket Assembly, Idler
73	683-04606	1		Bracket Assembly, AutoDrive
74	710-1260A	1	/P	Screw, tt, 5/16-18, 0.750, Hxindwsh
75	710-3005	1	/P	Hhcs, 3/8-16, 1.25, Gr5, Std
76	712-04065	1	/P	Nut, flglk, 3/8-16, Grf, nylon
77	738-04162A	1	/P	Spacer, Drive, .8840 X .190
78	956-04015A	1	/P	Pulley Assembly, var Spd, 4.75 Od
79	683-04522	1		Keepr Assembly, belt
80	683-04612-0637	1		Bracket Assembly, vari Painted
81	710-0627	1	/P	Hhcs, 5/16-24, .750, Gr5, Lock
82	710-0778	1	/P	Screw, tt, 1/4-20, 1.500, Hxindwsh
83	718-04261	1		Cup, Bearing
84	736-0362	1	/P	Washer, flat, .330 X 1.25 X .06, Ht
85	941-0600	1	/P	Bearing, ball, 17x40x12, 6203, Ds
86	634-0104-0911	1	/P	Wheel, 20 x 8 x 8, 42"
87	634-04369-0662	1		Rim Assembly:8.0 X 7.0 X .750 Id
88	934-0255	1	/P	Valve, tubeless Air
89	734-1730-0901	1	/P	Tire, 20 X 8 X 8 Sq Sh
90	736-0242	1	/P	Bell Washerer, .340 x .872 x .060
91	725-04363	1		Switch Interlock

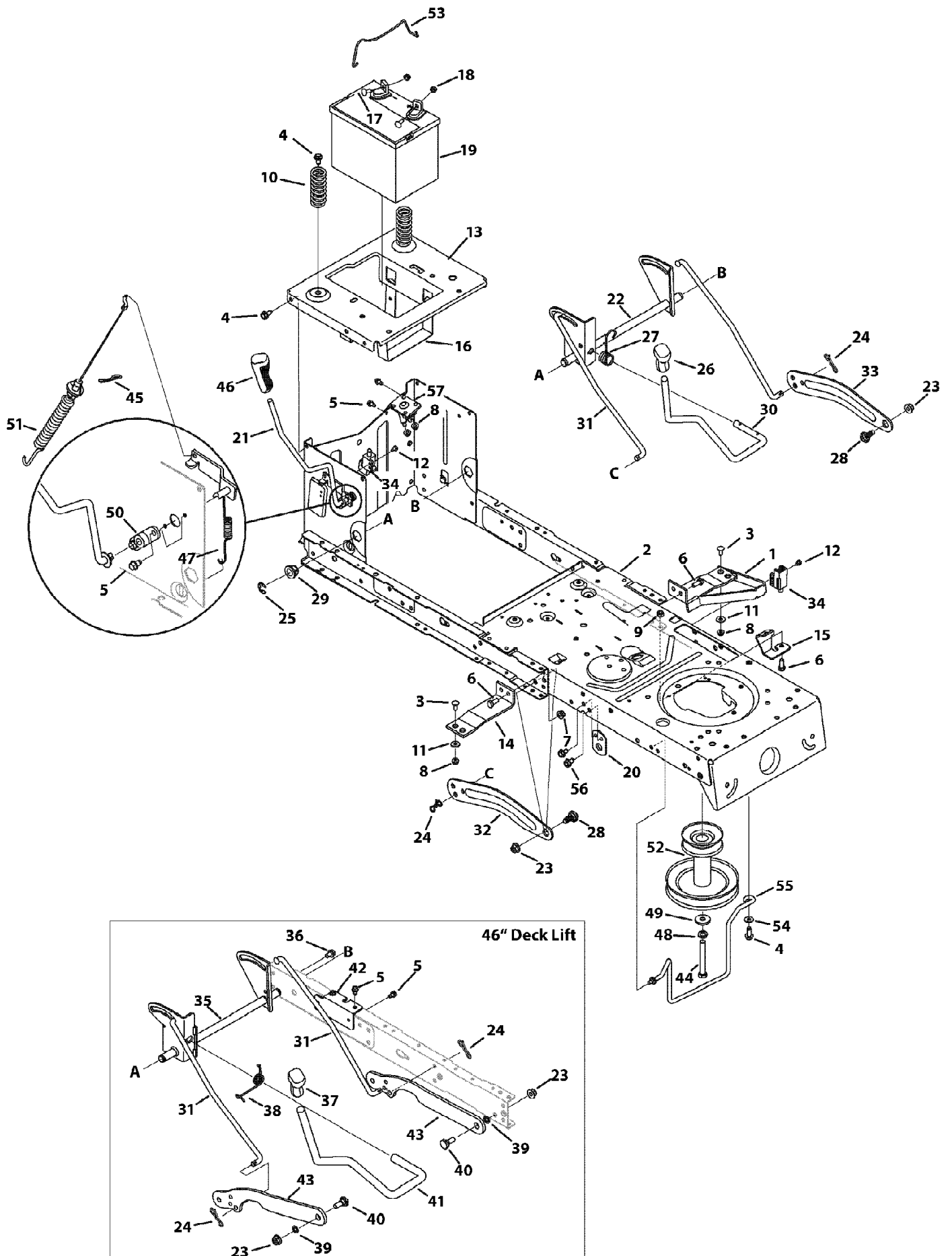


13AX78KS011 Bronco (2010)  
Engine Accessories Kohler

Page 5 of 22

Ref #	Part Number	Qty	S/P/F	Description
1	683-04549-0637	1	/P	Muffler Shield Assembly with Weld
2	710-0227	1	/P	Screw, 8-18 x .500
3	710-04683	1		Screw, 3/8-16 x 1.0
4	710-0599	1	/P	Screw, 1/4-20 x .500
5	710-0642	1	/P	Screw, 1/4-20 x .750
6	710-1314A	1	/P	Socket Screw, 5/16-18 x .750
7	725-0157	1	/P	Cable Tie
8	726-0205	1	/P	Clamp Hose, .490 diameter
9	728-04000	1		Rivet, .188 x .300
10	751-3141-14	1	/P	Oil Drain, Extension Hose
11	751-0564B	1	/P	Muffler Deflector
12	751-10349-28	1	/P	Fuel Hose, Low Permeation
13	751-10353	1		Muffler Deflector Long
14	951-10517A	1	/P	Oil Drain
15	751-11022A	1		Muffler

13AX78KS011 Bronco (2010)  
Frame & PTO Lift



13AX78KS011 Bronco (2010)  
Frame & PTO Lift

Page 7 of 22

Ref #	Part Number	Qty	S/P/F	Description
1	683-04195-0637	1		Support Bracket
2	683-04601-0637	1		Frame Assembly
3	710-0134	1	/P	Screw Carriage, 1/4-20 x .62
4	710-04484	1		Screw 5/16-18 x .750
5	710-0599	1	/P	Screw, 1/4-20 x .500
6	710-3008	1	/P	Hex Screw, 5/16-18 x .75
7	712-04063	1	/P	Flangelock Nut, 5/16-18
8	712-04064	1	/P	Flangelock Nut, 1/4-20
9	912-0429	1	/P	Hexlock Nut, 5/16-18
10	732-04035	1		Compression Spacer, 1.28 x 3.125
11	736-0173	1	/P	Flat Washer, .28 x .74 x .063
12	738-04237A	1		Shoulder Spacer, 10-32 x .500
13	783-04548C-0637	1	/P	Seat Frame Bracket
14	783-04637-0637	1	/P	Running Board Bracket
15	783-04753-0637	1		Support Frame Bracket
16	783-04869A-0637	1	/P	Battery Bracket
17	710-04666	1		Hex Head Flange, 1/4-20 x .75
18	712-0271	1	/P	Sems Nut, 1/4-20
19	925-1707D	1	/P	230 CCA Battery
20	783-04536B-0637	1	/P	Support Bracket
21	647-04096-0637	1	/P	PTO Handle Assembly
22	683-04155A-0637	1	/P	Lift Assembly, 38/42"
23	712-04065	1	/P	Flangelock Nut, 3/8-16
24	714-04040	1		Bow-tie Cotter Pin
25	716-0106A	1		E Ring
26	720-0311	1		Handle Grip, 1/2
27	732-04225	1		Torsion Spring
28	738-04130	1		Shoulder Bolt, 3/8-16 x .625 x .175
29	941-0225	1	/P	Hex Flange Bearing
30	747-04282	1		Deck Lift Handle
31	747-04393	1		Lift Rod
32	783-04494C-0637	1	/P	38/42" Lift Arm, RH
33	783-04711C-0637	1	/P	38/42" Lift Arm, LH
34	725-04363	1		Switch Interlock
35	683-04334-0637	1	/P	Lift Assembly, 46"
36	710-0604A	1	/P	Screw, 5/16-18 x .625
37	720-0298	1		Handle Grip, 5/8
38	732-04438	1		Torsion Spring Handle, 46"
39	936-0140	1	/P	Flat Washer, .385 x .62 x .063
40	938-0380	1	/P	Shoulder Bolt, 3/8-16 x .500 x .270
41	747-04653	1		46" Lift Handle
42	783-05389-0637	1	/P	Frame Brace Bracket
43	783-0678C-0637	1	/P	Lift Deck Link
44	710-04607	1		Hex Screw, 7/16-20 x 2.75, 46"
44	710-04608	1		Hex Screw, 7/16-20 x 3.25, 38/42"
45	914-0145	1	/P	Click Pin, .092 x 1.64
46	720-04049A	1	/P	Handle Grip, 3/8
47	732-04276A	1	/P	PTO Spring Extension
48	936-0171	1	/P	Regular Duty Washer Lock, 7/16
49	736-0322	1	/P	Flat Washer, .450 x 1.250 x .164
50	741-04119A	1	/P	PTO Bearing
51	946-04173B	1	S	Deck Engage Cable
52	756-04207A	1	/P	Engine Pulley, 3.39 x 6.12, 46"

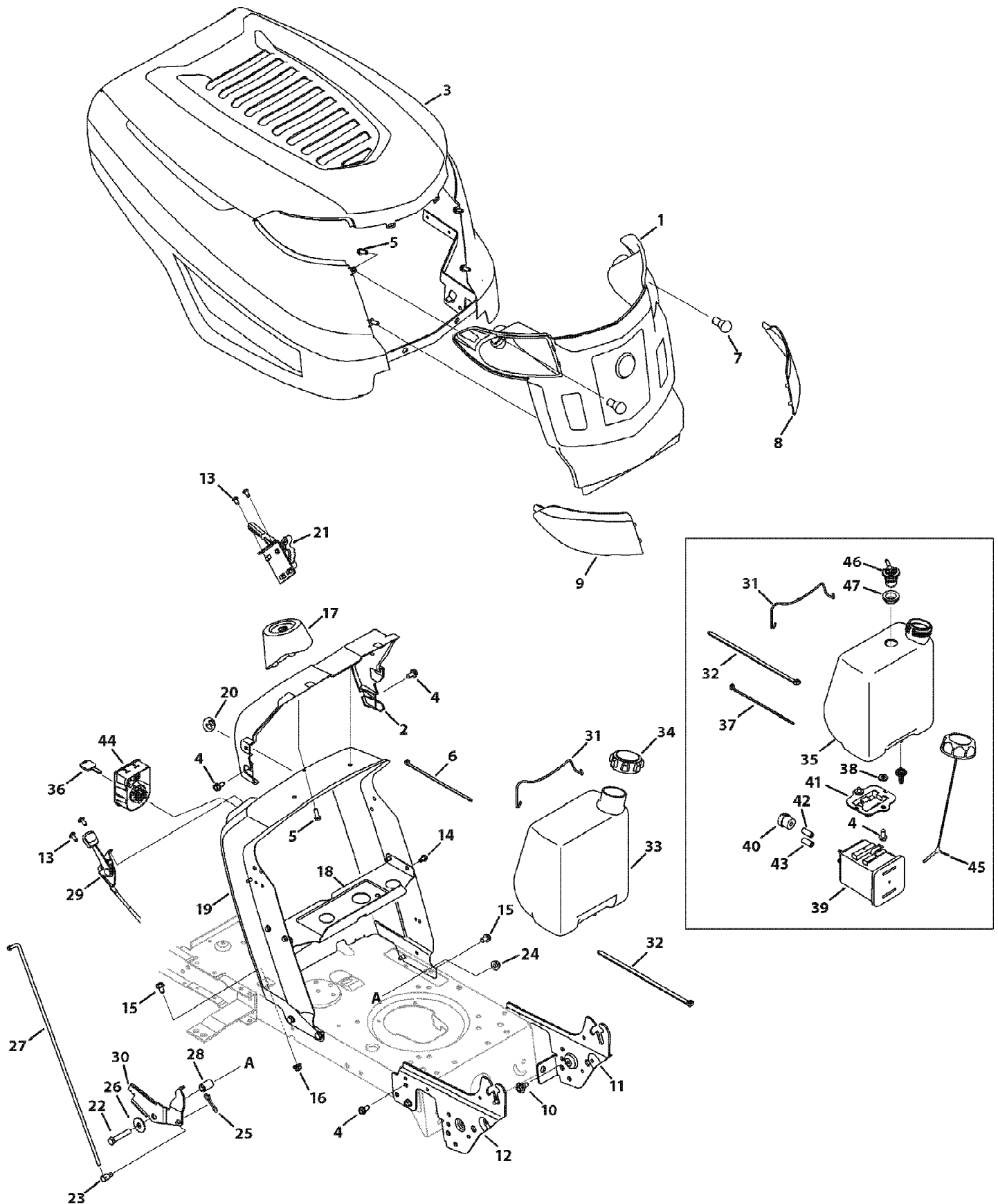
13AX78KS011 Bronco (2010)  
Frame & PTO Lift

Page 8 of 22

Ref #	Part Number	Qty	S/P/F	Description
52	756-04196A	1	/P	Engine Pulley, 3.39 x 6.12, 38/42"
53	683-04448-0637	1	/P	Battery Hold Down Rod
54	936-0300	1	/P	Flat Washer, .406 x .875 x .059
55	747-04857	1	/P	42" Belt Keeper
55	683-04414-0637	1	/P	46" Belt Keeper
56	710-0604A	1	/P	Screw, 5/16-18.0 x .625
57	725-04439	1		12V Solenoid



13AX78KS011 Bronco (2010)  
Hood & Dash Assembly



13AX78KS011 Bronco (2010)  
Hood & Dash Assembly

Page 10 of 22

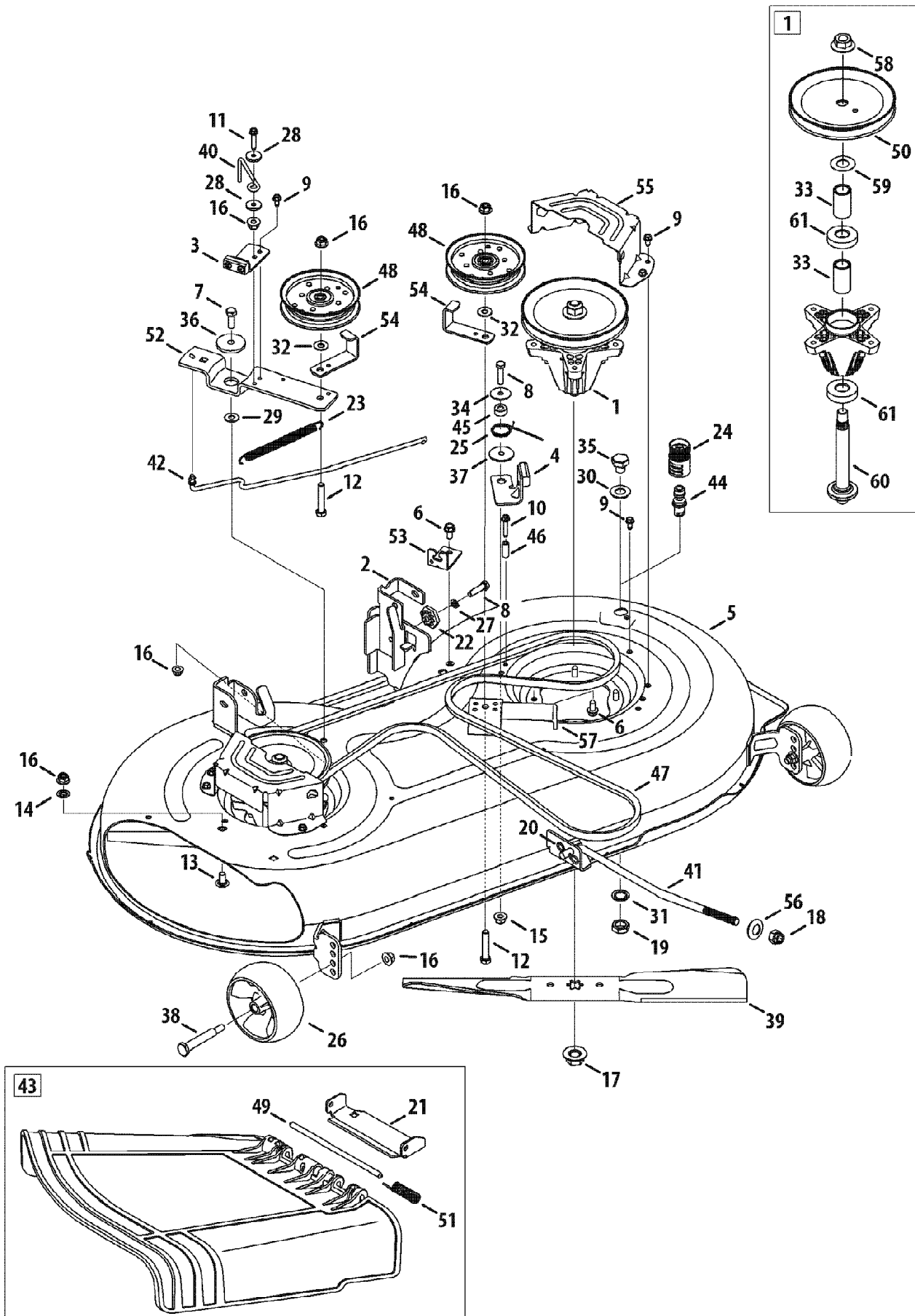
Ref #	Part Number	Qty	S/P/F	Description
1	631-04272	1	/P	Grill Assembly, Troy-Bilt
2	731-05078C	1	/P	Dash Assembly K-Style
2	731-06404	1		Bumper Not shown
2	710-04261	1		Screw, #12-16 x .50 Not shown
3	683-04441-0638	1		Hood Assembly
4	710-04484	1		Screw, 5/16-18 x .750
5	710-0895	1		Screw, 1/4-15 x .750
6	725-0157	1	/P	Cable Tie
7	925-0963	1	/P	Lamp
8	731-06095	1		Left Lens
9	731-06096	1		Right Lens
10	738-04091A	1	/P	Shoulder Screw, 5/16-18 x .43 x .29
11	783-05327B-0637	1	/P	Left Support Pivot Bracket
12	783-05328A-0637	1	/P	Right Support Pivot Bracket
13	710-04483	1		Screw, 1/4-20 x .500
14	710-0599	1	/P	Hex Washer Screw, 1/4-20 x .500
15	710-0604A	1	/P	Screw, 5/16-18 x .625
16	712-04063	1	/P	Flangelock Nut, 5/16-18
17	731-04945	1		Steering Support
18	783-04584A-0637	1	/P	Gas Tank Support Bracket
19	783-04584A-0637	1	/P	Dash, No RMC
20	731-05265	1		Choke Plug
21	983-04216	1	/P	7-Speed Control Assembly
22	710-3144	1	/P	Hex Screw, 3/8-16 x 2.0
23	711-0736	1	/P	Ferrule, 1/4-20 x 1.00
24	710-04065	1	/P	Flangelock Nut, 3/8-16
25	714-04040	1		Bow Tie Cotter Pin, 72
26	936-0133	1	/P	Flat Washer, .411 x 1.25 x .100
27	747-04430	1		Speed Selector
28	750-04465	1		Flange Spacer, .390 x .671 x 1.095
29	746-04364	1		Throttle/Choke Cable
30	783-04903	1		Speed Latch - No RMC
31	683-04448-0637	1	/P	Battery Assembly Rod
32	726-0230	1	/P	Cable Tie
33	751-0555B	1	/P	1.5 Gallon Fuel Tank
34	751-0603A	1	/P	Fuel Cap
35	751-10782	1	S	1.36 Gallon Fuel Tank If equipped
36	925-1745A	1	/P	Key
37	725-0157	1	/P	Cable Tie
38	936-3008	1	/P	Flat Washer, .344 x .750 x .120
39	951-10589	1	/P	5 Gallon Carbon Canister If equipped
40	951-10590	1	/P	Vent Filter Canister If equipped
41	951-10610	1	/P	Canister Adapter Bracket If equipped
42	751-10749-30	1		Fuel Hose, White If equipped
43	751-10750-28	1		Fuel Hose, Yellow If equipped
44	925-04659	1	/P	3 Position Key Switch
45	951-10947	1	/P	Fuel Cap, 2.25" If equipped
46	751-10441	1		Rollover Valve If equipped
47	735-04081	1		Rubber Grommet, 23 x 3.55 If equipped



13AX78KS011 Bronco (2010)  
Label Map Bronco

Page 12 of 22

Ref #	Part Number	Qty	S/P/F	Description
777I22453	777I22453	1		LABEL-RIDER
777I22679	777I22679	1		LABEL-CHECK ENG OI
777D12005	777D12005	1		LABEL-RIDER REAR FENDER TROY
777S30018	777S30018	1	/P	LABEL-DECK SAFETY
777S30503	777S30503	1	/P	LABEL-DANGER CHUTE
777S33329	N/A	1		LABEL-RDRCHT:DNGCUT:42CMMN Not available separately
777D11950	777D11950	1		LABEL-RIDER DECK TROY 42"
777D13024	777D13024	1		LABEL-TROYBILT/GEAR
777I22454	777I22454	1		LABEL-RIDER
777I22469	777I22469	1		LABEL- RIDER
777I22479	777I22479	1		LABEL-RIDER
777D13058	777D13058	1		LABEL-RIDER LOWER LH BRONCO
777D13057	777D13057	1		LABEL-RIDER LOWER RH BRONCO
777D12014	777D12014	1		LABEL-RIDER HOOD K STYLE TROY
777X43038	777X43038	1		LABEL-RIDER K STYLE LH
777X43039	777X43039	1		LABEL-RIDER K STYLE RH
777S33516	777S33516	1		LABEL-RDR:LT5 AUTO NO RMC



13AX78KS011 Bronco (2010)  
Mower Deck 42-Inch

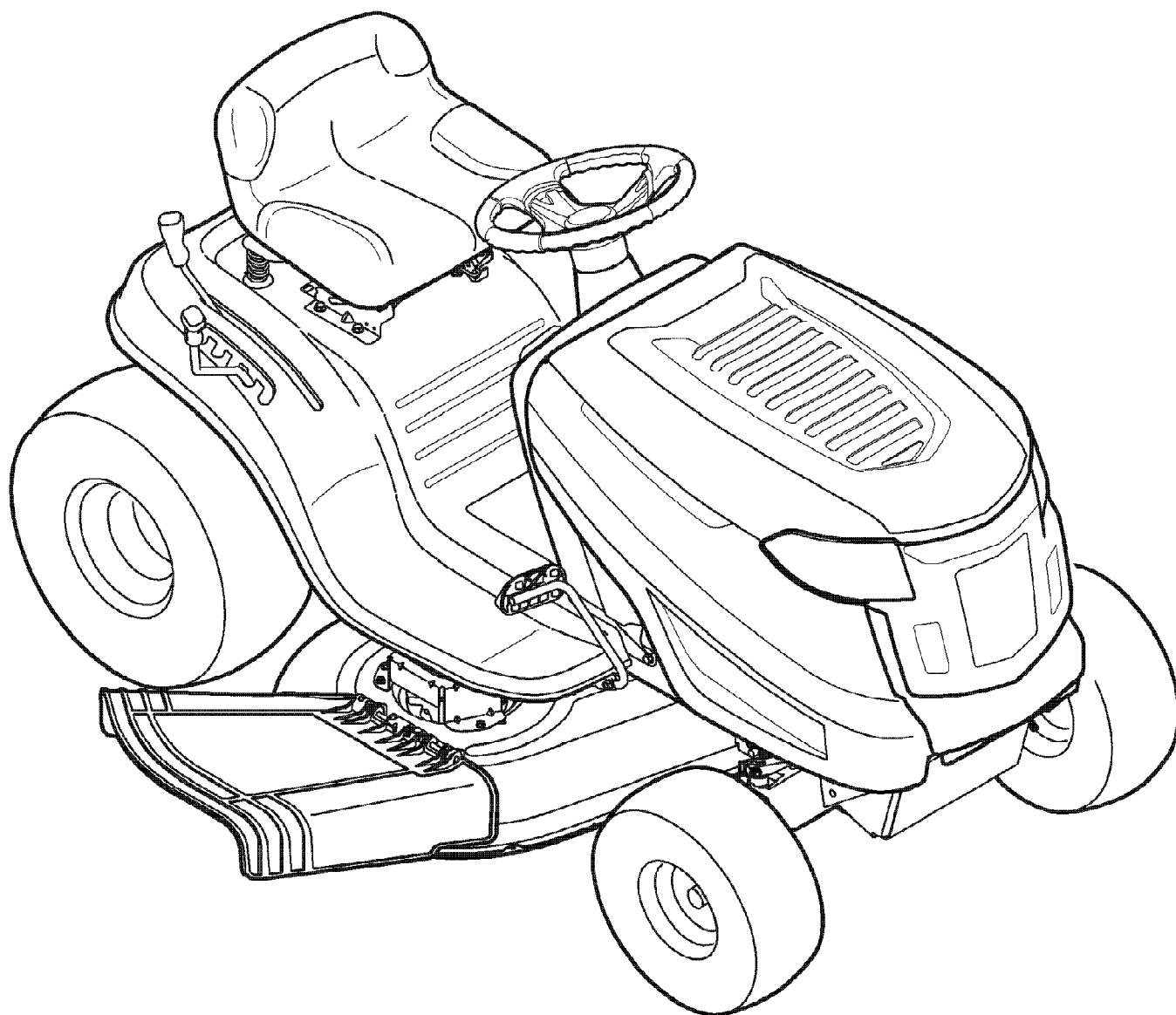
Page 14 of 22

Ref #	Part Number	Qty	S/P/F	Description
1	918-04822A	1	/P	Spindle Assembly, Pulley, 6.3 Dia
2	683-0254B-0637	1	/P	Bracket Assembly, Deck, Hngr Lh
3	983-04511	1	/P	Brake Assembly, Deck, 42/46
4	983-04525	1	/P	Brake Assembly, Deck, 46"
5	983-04570-0637	1	/P	Deck Assembly, Sd, Offset, 42 inch W/O Wheels
5	983-04572-0637	1	/P	Deck Assembly, Sd, Offset, 42 inch W/ Wheels
6	710-04484	1		Screw, Tt, 5/16-18, .750, Hxindwsh
7	710-0514	1	/P	Hhcs, 3/8-16, 1.00, Gr5, Std
8	710-0528	1	/P	Hhcs, 5/16-18, 1.25, Gr5, Std
9	710-0599	1	/P	Screw, Tt, 1/4-20, 0.500, Hxindwsh
10	710-0778	1	/P	Screw, Tt, 1/4-20, 1.500, Hxindwsh
11	710-0809	1		Screw, Tt, 1/4-20, 1.250, Hxindwsh
12	710-3144	1	/P	Hhcs, 3/8-16, 2.00, Gr5, Std
13	710-3178	1	/P	Bolt, Crg, 3/8-16, 0.75, Gr1
14	712-0229	1		Nut, Push, 3/8
15	712-04063	1	/P	Nut, Flglk, 5/16-18, Grf, Nylon
16	712-04065	1	/P	Nut, Flglk, 3/8-16, Grf, Nylon
17	712-0417A	1	/P	Nut, Flg, 5/8-18
18	712-04243	1		Nut, Flxlk, 1/2-13
19	912-0641	1	/P	Nut, Hex, M16-1.5 Din 936
20	714-04043	1		Bow-Tie Cotter Pin
21	783-06074A	1		Chute Bracket
22	917-04074	1	/P	Gear, Deck, Adj
23	932-0384	1	/P	Spring, Extension, .62 Dia X 6.12 Lg
24	921-04041	1	/P	Water Nozzle Adapter
25	732-04727	1		Spring, Torsn, .992 I.D X 1.17 O.D
26	734-04155	1		Wheel, Deck, 5.0 Dia Ball
27	936-0119	1	/P	Washer, Lock, 5/16, Regular Duty
28	936-0176	1	/P	Washer, Flat, .265 X .938 X .120
29	936-0344	1	/P	Washer, Flat, .385 X 1.0 X .030
30	736-0187	1	/P	Washer, Flat, .64 X 1.24 X .06, Ht
31	736-0225	1	/P	Washer, Lock, 5/8, Int Tooth
32	736-0262	1	/P	Washer, Flat, .385 X .870 X .092
33	750-04936	1		Spacer, .792 X 1.060 X 1.860 Lg
34	736-0362	1	/P	Washer, Flat, .330 X 1.25 X .06, Ht
35	738-04146	1		Plug, Bolt, M16 X 1.5
36	738-04162A	1	/P	Spacer, Shoulder, .8840 X .190
37	738-04166	1		Spacer, Shoulder, .5000 X .1475
38	938-3056	1	/P	Bolt, Shoulder, .496 X 2.50, 3/8-16
39	942-04308	1	/P	Blade, Cut, 21.23" 2-In-1
40	747-04530	1		Rod, Kepr, Belt 42 Idler
41	747-04944B	1	/P	Rod, Lift, Deck, Frt, 13.7
42	747-05105	1		Rod, Cont, Brake 42"
43	631-04460	1		Chute Assembly, 42" Deck
44	737-04003D	1	/P	Deck Water Nozzle
45	750-0258	1	/P	Spacer, .315 X .750 X .375 Lg
46	750-0566A	1	/P	Spacer, .260 X .375 X 1.030 Lg
47	954-04060B	1	/P	Belt, V Typ, A Sec X 96.5
48	756-04129B	1	/P	Pulley, Idler, 4.25"Dia
49	711-04847A	1	S	Pin, Hinge, Dia .3125 X 7.96 Lg

13AX78KS011 Bronco (2010)  
Mower Deck 42-Inch

Page 15 of 22

Ref #	Part Number	Qty	S/P/F	Description
50	956-1227	1	/P	Pulley, Deck, 6.3 Dia
51	732-04372	1		Spring, Torsion, .44 I.D. X 2.0
52	783-05946	1		Bracket, Idler, Piv, 46
53	783-06243-0637	1		Bracket, Cable, Deck Engage
54	783-06368-0637	1	S	Bracket, Guard, Belt, 4.25 Pulley
55	783-06424A-0637	1		Cover, Belt, Deck, 42
56	748-04069	1		Deck Lift Pivot Cup
57	783-06643-0637	1		Bracket, Supt, Deck Stationary Idler
58	712-0417A	1	/P	Nut, Flg, 5/8-18
59	936-0351	1	/P	Washer, Flat, .760 Idx1.50 Od
60	738-1186A	1		Shaft, Spindle, 6.11 Lg.
61	941-0919	1	/P	Bearing, Ball, .787id X 1.85 Odx.551



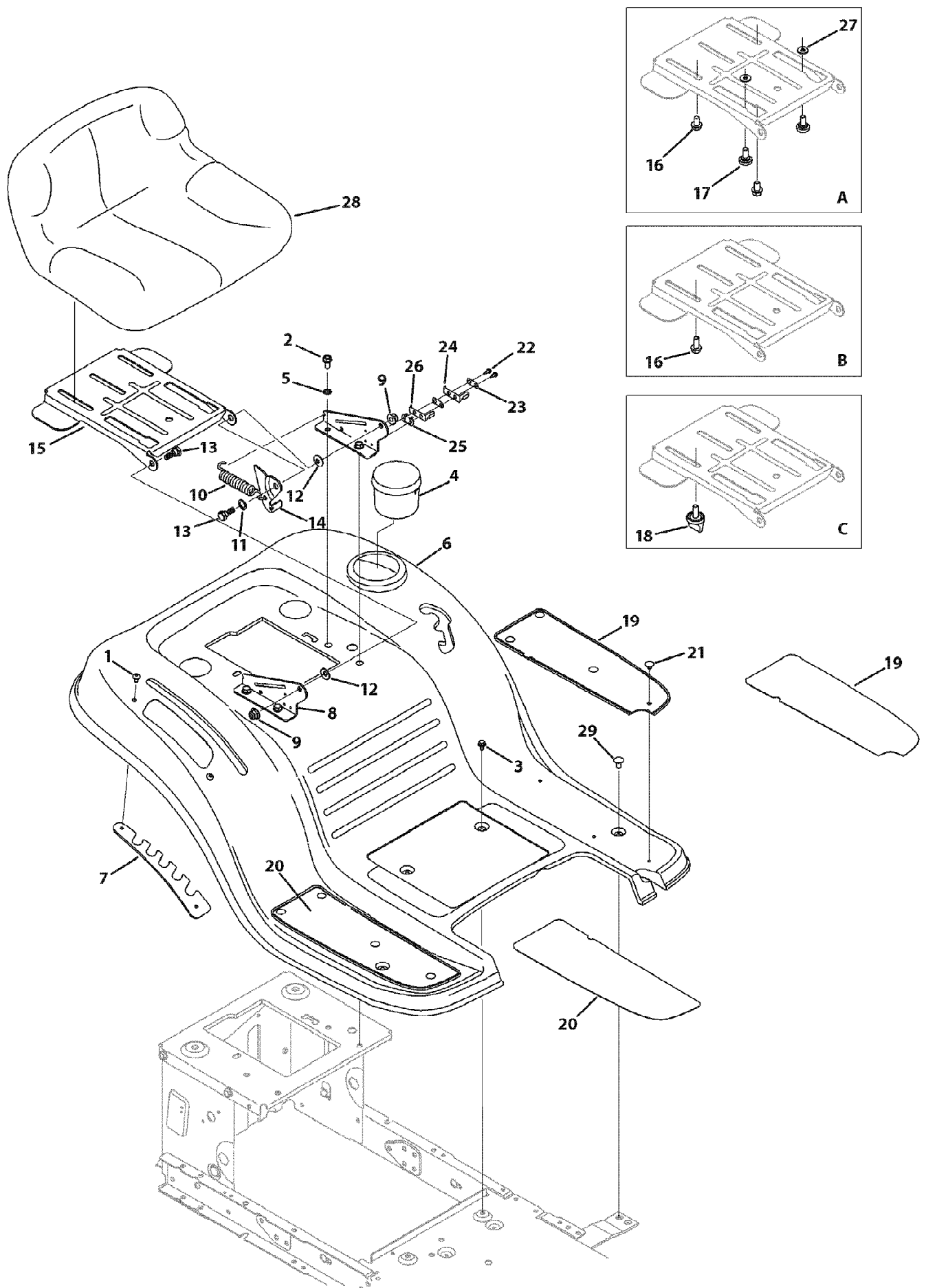


13AX78KS011 Bronco (2010)  
Quick Reference Bronco

Page 17 of 22

Ref #	Part Number	Qty	S/P/F	Description
	759-3336	1	/P	Spark Plug
	KH-12-050-01-S	1	/P	Oil Filter
	KH-20-883-02-S1	1	/P	Pre Filter
	KH-20-883-02-S1	1	/P	Air Filter
	KH-25-050-21-S	1	/P	Fuel Filter
	751-0603A	1	/P	Fuel Cap Replaces 751-3111
	951-10947	1	/P	Fuel Cap - California
	KH-12-757-33	1	/P	Solenoid
	918-04822A	1	/P	Deck Spindles
	942-04308	1	/P	Blades
	712-0417A	1	/P	Blade Nuts
	734-04155	1		Deck Wheels
	923-0448A	1	/P	Ball Joints
	925-1745A	1	/P	Ignition Keys
	N/A	1		Control Cable
	946-04173B	1	S	Deck Engagement Cable
	746-04364	1		Throttle Cable
	954-04208	1	/P	Upper Drive Belt
	954-0467	1	S	Lower Drive Belt
	954-04060B	1	/P	PTO/Deck Spindle Belt
	725-04363	1		Safety Switch - Brake
	725-04363	1		Safety Switch - Deck
	631-04460	1		Discharge Chute
	925-1707D	1	/P	Battery
	19A30003OEM	1		Double Bagger 42 inch Attachment
	19A30006100	1		Mulch Kit 42 inch Attachment
	OEM-190-607	1		Tractor Sunshade Attachment
	OEM-190-679	1	/P	Bumper Attachment
	OEM-190-032	1	/P	Snow Thrower, Two Stage Attachment
	OEM-19A-218	1		Rear Weight Kit Rear weight bar w/weight, attachment
	OEM-190-658	1	S	Tire Chains, 20x8 Attachment
	OEM-190-833	1	/P	Front Dozer Blade Attachment

13AX78KS011 Bronco (2010)  
Seat & Fender



13AX78KS011 Bronco (2010)  
Seat & Fender

Page 19 of 22

Ref #	Part Number	Qty	S/P/F	Description
1	710-04483	1		Screw, 1/4-20 x .500
2	710-04484	1		Screw, 5/16-18 x .750
3	710-0599	1	/P	Screw Pan Torx Head, 1/4-20 x .500
4	731-04591A	1	/P	Cup Holder
5	736-0607	1	/P	Loack Washer, 5/16
6	783-04587C-0638	1		Fender - Red
7	783-04843-0637	1		Lift Adjuster Bracket - Powder Black
8	783-1489C-0637	1	/P	Seat Mount Bracket - Powder Black
9	712-04063	1	/P	Flangelock Nut, 5/16-18
10	732-1184	1	/P	Extension Spring
11	936-0108	1	/P	Flat Washer, .510x .750 x .033
12	736-0242	1	/P	Bell Washer, .340 x .872 x .060
13	938-0296	1	/P	Shoulder Screw, 5/16-18 x .437 x .268
14	783-0209D	1	/P	Lift Seat Bracket
15	783-04081C-0637	1	/P	Pivot Seat Manual Adjust Bracket
16	710-04482	1		Hex Head Flange, 3/8-16 x .875
17	738-04012A	1	/P	Shoulder Screw, 3/8-16 x .625 x .145
18	720-04061	1		Knob, 3/8-16 x .875
19	735-04047	1		Foot Pad, LH
19	723-04026	1		Foot Pad, Abrasive, LH
20	735-04048	1		Foot Pad, RH
20	723-04025	1		Foot Pad, Abrasive, RH
21	726-04072A	1	/P	Ratchet Clip, .250 x .500
22	710-0227	1	/P	Screw, 8-18 x .500
23	726-0279	1		Insulator Plate
24	925-1303	1	/P	Outer Seat SPring
25	726-0278	1		Insulator Boss Plate
26	725-1439	1		Inner Seat Spring
27	936-0140	1	/P	Flat Washer, .385 x .62 x .063
28	757-04083	1		Medium Back Seat, Black, Set-up B Bronco
28	757-04088	1		High Back Seat, Black, Set-up B Thourghbred
29	710-0134	1	/P	Screw Carriage, 1/4-20 x .62



13AX78KS011 Bronco (2010)  
Steering

Page 21 of 22

Ref #	Part Number	Qty	S/P/F	Description
1	617-04024	1	S	Front Steering Gear Assembly
2	710-0376	1	/P	Hex Screw, 5/16-18 x 1.00
3	710-0643	1	/P	Hex Screw, 5/16-18 x 1.00, Lock
4	710-1309	1	/P	Machine Screw, 5/16-18 x .750
5	710-3180	1	/P	Hex Screw, 5/16-18 x 1.75
6	912-0240	1	/P	Jam Nut, 7/16-20
7	912-0214	1	/P	Jamlock Nut, 3/8-24
8	712-04063	1	/P	Flangelock Nut, 5/16-18
9	638-04008P	1	/P	Front RH Axle w/46" deck
9	938-04013	1	/P	Front RH Axle
10	923-0448A	1	/P	Ball Joint, 7/16-20
11	736-0242	1	/P	Bell Washer, .340 x .872 x .060
12	938-04007A-0637	1	/P	Front LH Axle w/46" deck
12	938-04014A-0637	1	/P	Front LH Axle
13	738-04141	1		Shoulder Bolt, 5/16-18 x .435 x .350
14	738-0919A	1	/P	Steering Shaft, 5/8 x 22.08
15	941-04124	1	/P	Flange Bearing, 5/8
16	941-0475	1	/P	Plastic Bushing, .380 ID
17	747-04298	1		Steering Link
18	948-0389	1	/P	Cap, 1.25 x .16
19	748-04065-0637	1	/P	Steering Block
20	748-04068	1		Spacer, .71 x .125 x .56
21	750-04418	1		Spacer, .322 x .625 .21
22	783-04644	1	S	Gear Segment Stabilizer Plater
23	736-04228A	1		Flat Washer, .781 x 1.590
24	634-04086-0911	1	/P	Wheel Assembly 15 X 6 X 6 Sq Shoulder Tire
24	634-04325-0911	1		Wheel Assembly 15 X 6 X 6 Rd Shoulder Tire
25	714-04039	1		Cotter Pin, 5/32 x 1.25
26	710-04484	1		Screw, 5/16-18 x .750
27	712-04065	1	/P	Flangelock Nut, 3/8-16
28	914-0474	1	/P	Cotter Pin, .125 x .75
29	719-04177A	1		Pivot Axle
29	683-0128B-0637	1	/P	Pivot Axle
30	726-04035	1		Push Nut, 3/4
31	731-04693	1		Hub Cap
32	936-0316	1	/P	Flat Washer, .78 x 1.59 x .060
33	748-04068	1		Spacer, .71 x .125 x .56
34	738-04128	1		Shoulder Bolt, 3/8-16 x .500 x 2.38
35	747-04299A	1	/P	Fixed Rod
36	783-05326-0637	1	/P	Pivot Bar Bracket
36	783-04601C-0637	1		Pivot Bar Bracket
37	726-0341	1	/P	Push Cap, 3/4
38	731-04057A	1		Standard Axle Cap
39	741-0660A	1	/P	Flange Bearing, .760 x .941 x 1.0
40	631-04028	1		Steering Wheel
41	931-0484A	1	/P	Hub Cap
42	731-04681	1		Cap, Troy-Bilt
43	783-04568-0637	1		Front Deck Hanger Bracket
44	934-04081-0662	1	/P	Deck Rim Asm, 6.0x4.5 42/38" Deck only
44	741-0516B	1	/P	Flange Bearing Not shown

13AX78KS011 Bronco (2010)  
Steering

Page 22 of 22

Ref #	Part Number	Qty	S/P/F	Description
44	741-0990B	1	/P	Flange Bearing w/ Grease Fitting Not shown
45	934-0255	1	/P	Valve, tubeless Air
46	734-1731-0901	1	/P	Tire, 15 X 6 X 6 Sq Shoulder
46	734-04240A-0901	1		Tire, 15 X 6 X 6 Rd Shoulder