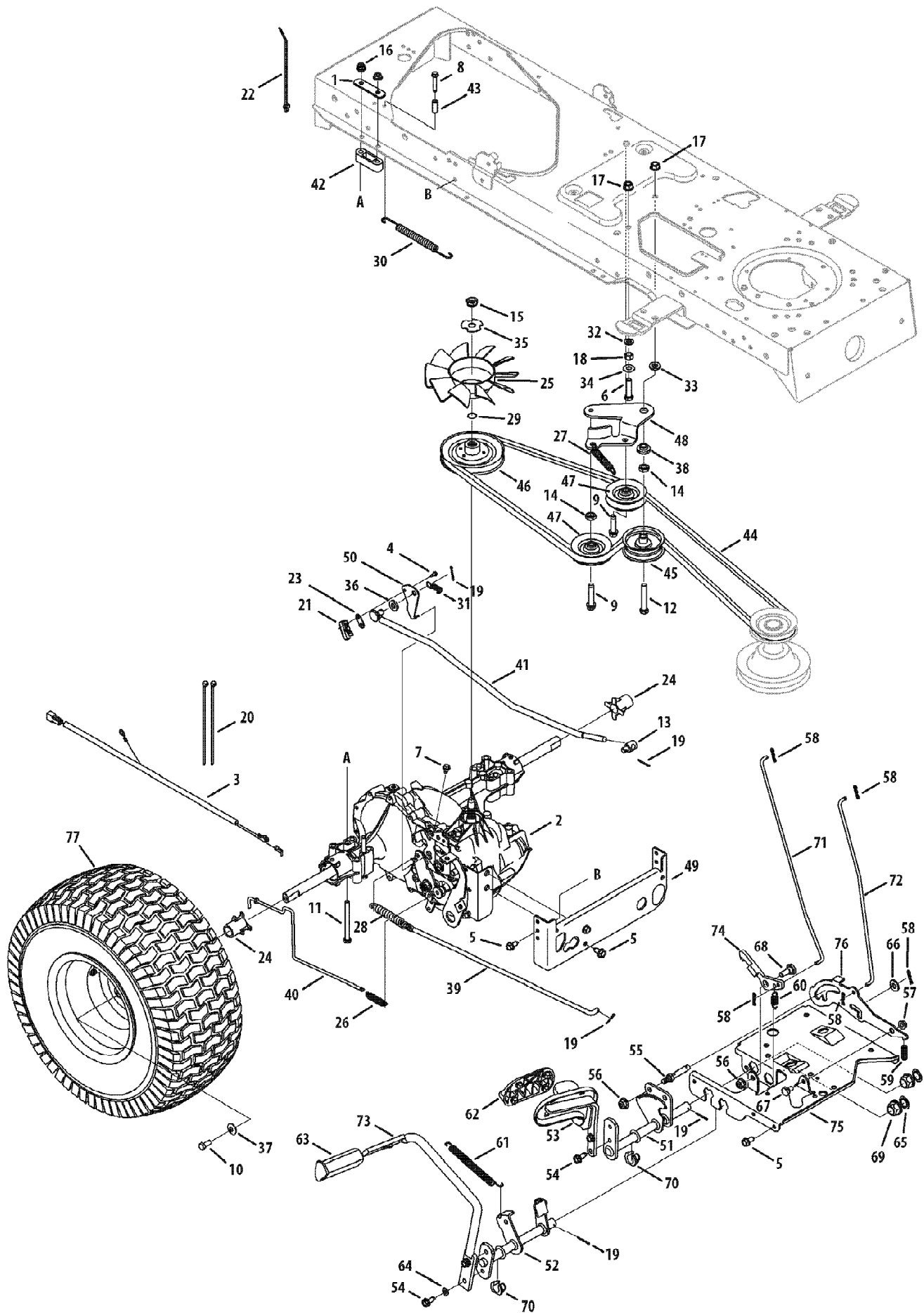


13AX61KG011 Range Rider (2009)
Drive System



13AX61KG011 Range Rider (2009)
Drive System

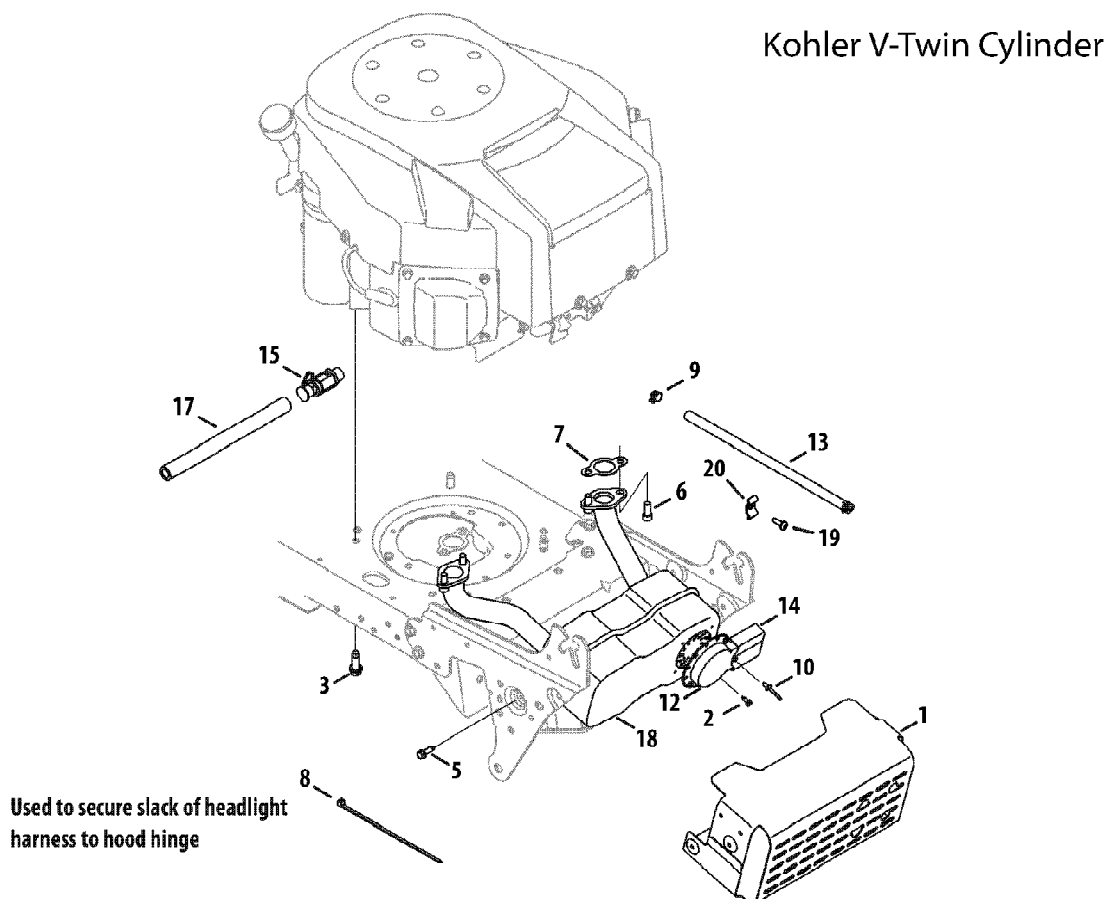
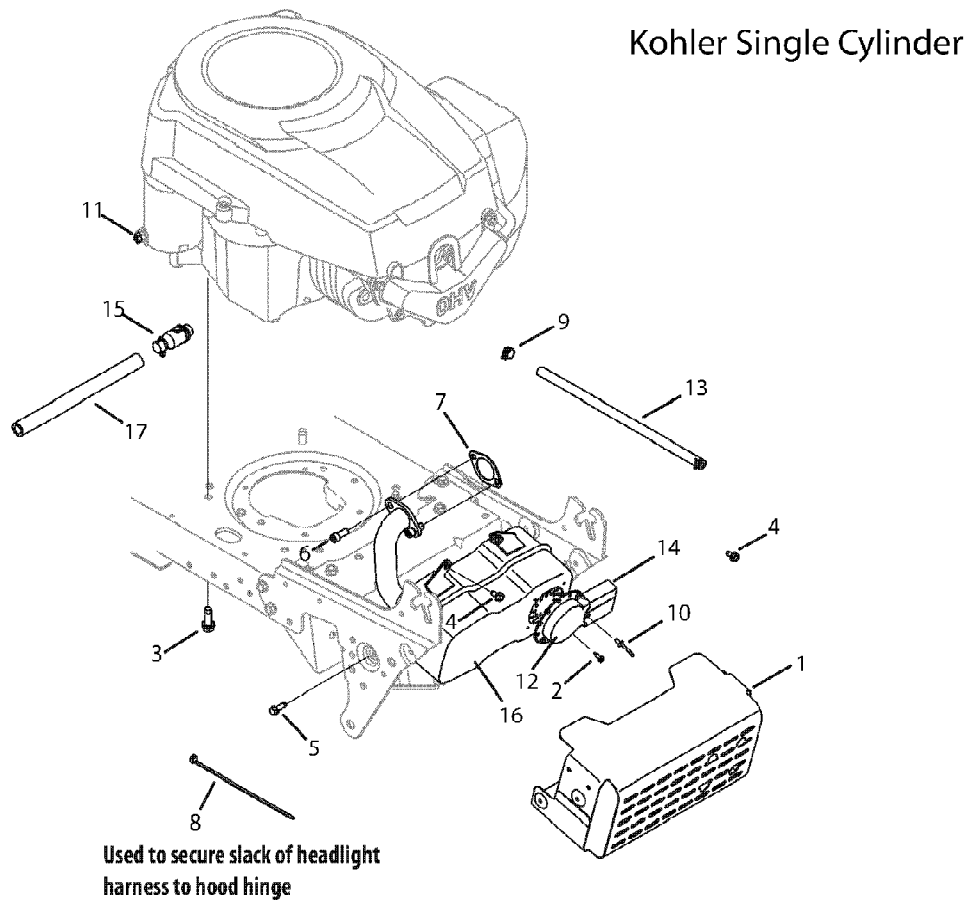
Page 2 of 20

Ref #	Part Number	Qty	S/P/F	Description
1	17840-0637	1	/P	Transaxle Mounting Bracket
2	918-0319	1	/P	Hydrostatic Transmission, 0510
3	629-0949B	1		Hydro Ground Harness Assembly
4	710-0227	1	/P	Screw, #8-18 x 0.500
5	710-04484	1		Self-Tap Screw, 5/16-18 x .750
6	710-0520	1	/P	Hex Head Screw, 3/8-16 x 1.50 Gr5
7	710-0653	1	/P	Self-Tap Screw, 1/4-20 x 0.375
8	710-0778	1	/P	Self-Tap Screw, 1/4-20 x 1.500
9	710-1007	1	/P	Sems Self-Tap Screw, 3/8-16 x 1.500
10	710-0627	1	/P	Hex Head Screw, 5/16-24, .750 x Gr5
11	710-1266	1	/P	Hex Head Screw, 5/16-18 x 3.50 Gr5
12	710-3011	1	/P	Hex Head Screw, 3/8-16 x 2.25
13	911-0832	1	/P	Ferrule, 3/8-24 x .375
14	912-0240	1	/P	Jam Nut, 7/16-20
15	912-0346	1	/P	Flange Jam Nut, 1/2-20 Gr5
16	712-04063	1	/P	Flange Lock Nut, 5/16-18 Grf
17	912-0431	1	/P	Flange Lock Nut, 3/8-16 Grf
18	912-3017	1	/P	Hex Nut, 3/8-16 Gr5
19	914-0111	1	/P	Cotter Pin, 3/32 1.0
20	725-0157	1	/P	Cable Tie, 3/16 X .05 X 7.4
21	725-1644	1		Short Spring Switch
22	926-0154	1	/P	Push Mount Cable Tie, 7.5 Lg
23	926-0320	1	/P	Insulator Plate Nut
24	731-05299	1		Sleeve, .765 Id X 1.500 Lg
25	731-06098	1		LT Hydro Fan
26	932-0209	1	/P	Extension Spring, .48 Od X 2.03
27	732-04323B	1	/P	Extension Spring, .770 X 3.720 Lg
28	732-0716D	1	/P	Extension Spring, .59 Od X 4.00 Lg
29	732-0729	1	/P	Wire Ring
30	732-0994	1		Extension Spring, .500 Dia X 7.0 Lg
31	732-3118	1		Extension Spring, 3/8 Od X 1.44 Lg
32	936-0169	1	/P	Lock Washer, 3/8 Regular Duty
33	736-0258	1	/P	Flat Washer, .385 X 1.0 X .135
34	936-0300	1	/P	Flat Washer, .406 X .875 X .059
35	736-04263	1		Lock Washer, Hydro Trans.
36	736-3010	1		Flat Washer, .407 x .812 x .135
37	736-0242	1	/P	Belleville Washer, .340 X .872 X .060
38	738-0372B	1	/P	Shoulder Spacer, 1.00 X .38 X .38
39	747-04139	1		Hydro Brake Rod
40	747-1149	1		Hydro Bypass Rod
41	747-1151	1		Hydro Control Rod
42	948-0334	1	/P	Spacer, T-Axle .68
43	750-0566A	1	/P	Spacer, .260 X .372 X 1.030 Lg
44	954-04165	1	/P	V-Belt, 4l X 78 Lg Poly
45	756-04224	1	/P	Flat Idler Pulley, 2.75 Od
46	756-04308	1		Input Pulley, 4.13 Dia
47	756-04325	1	/P	Idler Pulley, V-Type X 3.06
48	783-04442-0637	1		Center Double Idler Bracket
49	783-0810B-0637	1	/P	Hydro Torque Trans. Bracket
50	783-1019B	1	/P	Light Switch Actuator Bracket
51	647-0049A-0637	1	/P	Hydro Control Assembly
52	647-04100-0637	1	/P	Brake Control Assembly
53	683-0267C	1	/P	Hydro Control Pedal Assembly

13AX61KG011 Range Rider (2009)
Drive System

Page 3 of 20

Ref #	Part Number	Qty	S/P/F	Description
54	710-1260A	1	/P	Self-tap Screw, 5/16-18 x 0.750
55	711-04159B	1		Pin, 3/8-16 X 2.68lg
56	712-04065	1	/P	Flange Lock Nut, 3/8-16 Grf
57	712-3004A	1	/P	Flange Lock Nut, 5/16-18 Gr5
58	914-0104	1	/P	Cotter Pin, .072 Dia. X 1.13 Lg
59	732-0335	1		Compression Spring, .405 X 1.17
60	732-0955	1		Extension Spring, .50 Od X 1.41 Lg
61	732-0963	1		Extension Spring, .50 Dia X 6.37 Lg
62	735-0662	1		Drive Pedal Pad
63	735-3049A	1	/P	Brake Control Pad
64	936-0119	1	/P	Lock Washer, 5/16, Regular Duty
65	736-0187	1	/P	Flat Washer, .64 X 1.24 X .06
66	736-0262	1	/P	Flat Washer, .385 X .870 X .092
67	938-0155	1	/P	Shoulder Bolt, .435 X .160, 5/16-18
68	938-0380	1	/P	Shoulder Bolt, .500 X .270, 3/8-16
69	941-0225	1	/P	Hex Flange Bearing
70	741-3065B	1	/P	Hex Flange Bearing
71	747-04093A	1		Brake Lock-Rod
72	747-04096	1		Cruise Control Rod
73	747-04641A-0637	1	/P	Brake Pedal
74	748-04039C	1		Latch, cruise
75	783-04612-0637	1	/P	Steering Support Bracket
76	783-0663E	1	/P	Hydro Lockout Bracket
77	634-0104-0911	1	/P	Tire Assembly Complete 20 x 8 x 8 Range Rider
77	734-1730-0901	1	/P	Tire, 20 x 8 x 8 Sq. Shldr. Range Rider - Not Shown
77	634-0177-0911	1	/P	Tire Assembly Complete 20 x 10 x 8 Horse
77	734-1873-0901	1	/P	Tire, 20 x 10 x 8 Sq. Shldr. Horse - Not Shown
77	634-04369-0662	1		Rim-Wheel, Rear Not Shown
77	934-0255	1	/P	Valve-Air, Tubeless Not Shown

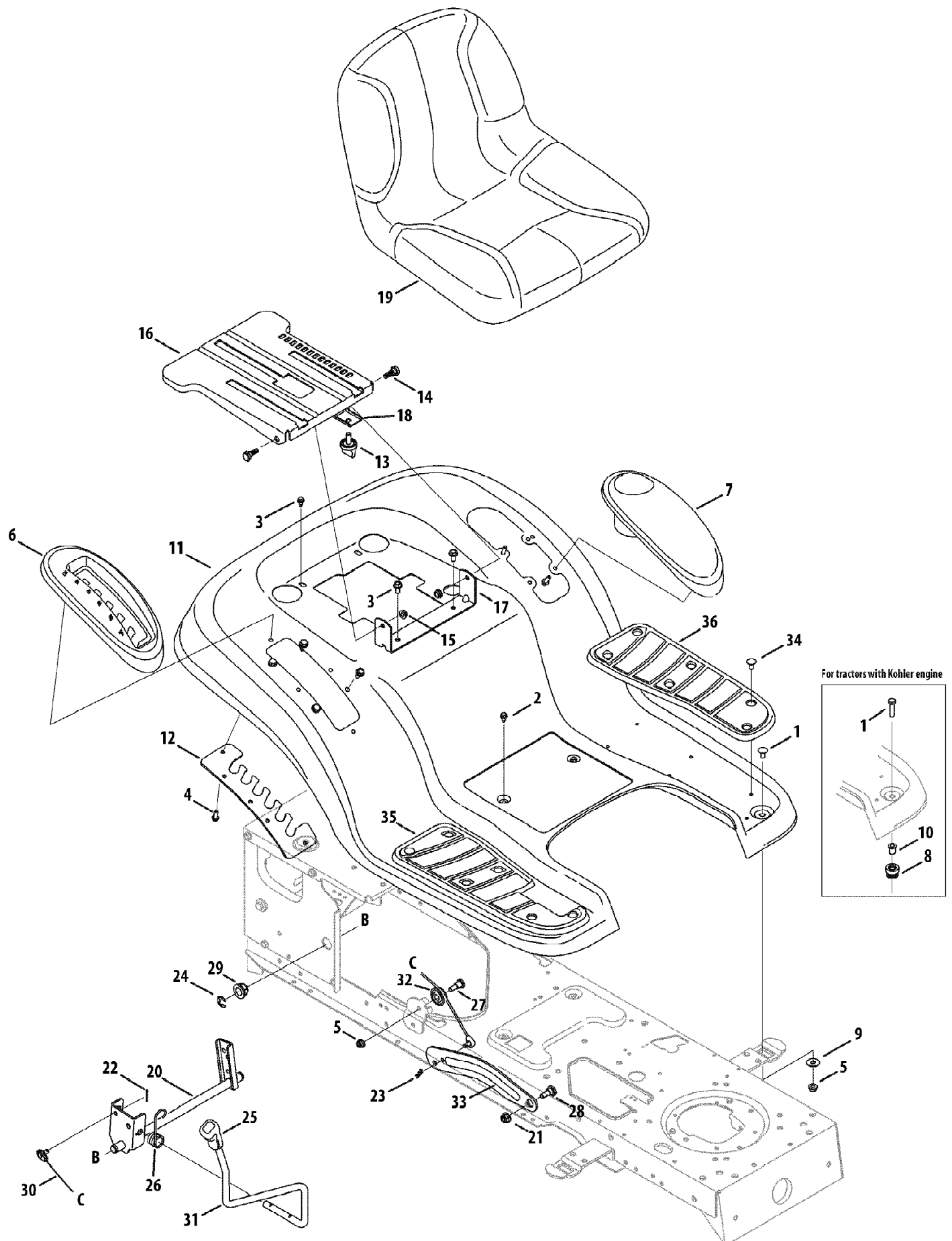


13AX61KG011 Range Rider (2009)
Engine Accessories

Page 5 of 20

Ref #	Part Number	Qty	S/P/F	Description
1	683-04549-0637	1	/P	Shield, Muffler
2	710-0227	1	/P	Screw, #8-18, 0.500
3	710-04683	1		Screw, Hex, 3/8-16 x 1.00
4	710-0599	1	/P	Screw, Hex, 1/4-20, 0.500
5	710-0642	1	/P	Screw, Hex, 1/4-20, 0.750
6	710-1314A	1	/P	Screw, 5/16-18, 0.75
7	KH-20-041-12-S	1	/P	Exhaust Gasket
8	725-0157	1	/P	Cable, Tie, 3/16 x .05 x 7.4
9	726-0205	1	/P	Hose Clamp
10	728-04000	1		Rivet, Pop, .188 x .325
11	736-0277	1		Flat Washer, 1.031 x 1.620 x .095
12	751-0564B	1	/P	Deflector, Muffler
13	751-10349	1		Fuel Line, Low Permeation
14	751-10353	1		Extension, Deflector
15	951-10517A	1	/P	Drain, Oil
16	751-11022	1		Muffler, Single Inlet
17	751-3141-14	1	/P	Extension Hose, Oil Drain
18	751-10528	1	S	Twin Muffler, Kohler
19	KH-24-086-43-S	1		Self-Tap Screw, M5 x 0.8 Torx
20	KH-47-237-02	1	S	Conduit Dual Clamp, Kohler

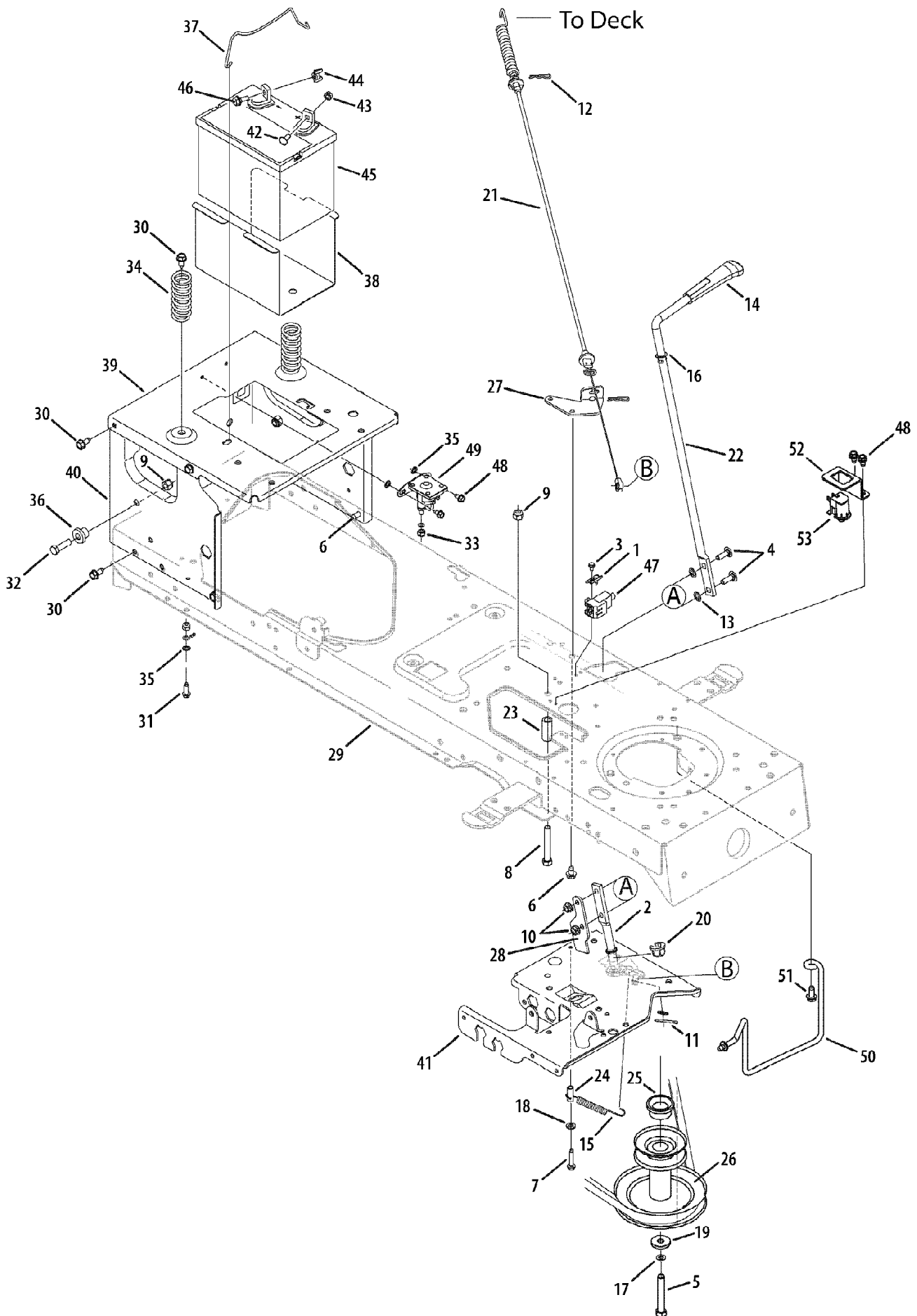
13AX61KG011 Range Rider (2009)
Fender, Deck Lift & Seat



13AX61KG011 Range Rider (2009)
Fender, Deck Lift & Seat

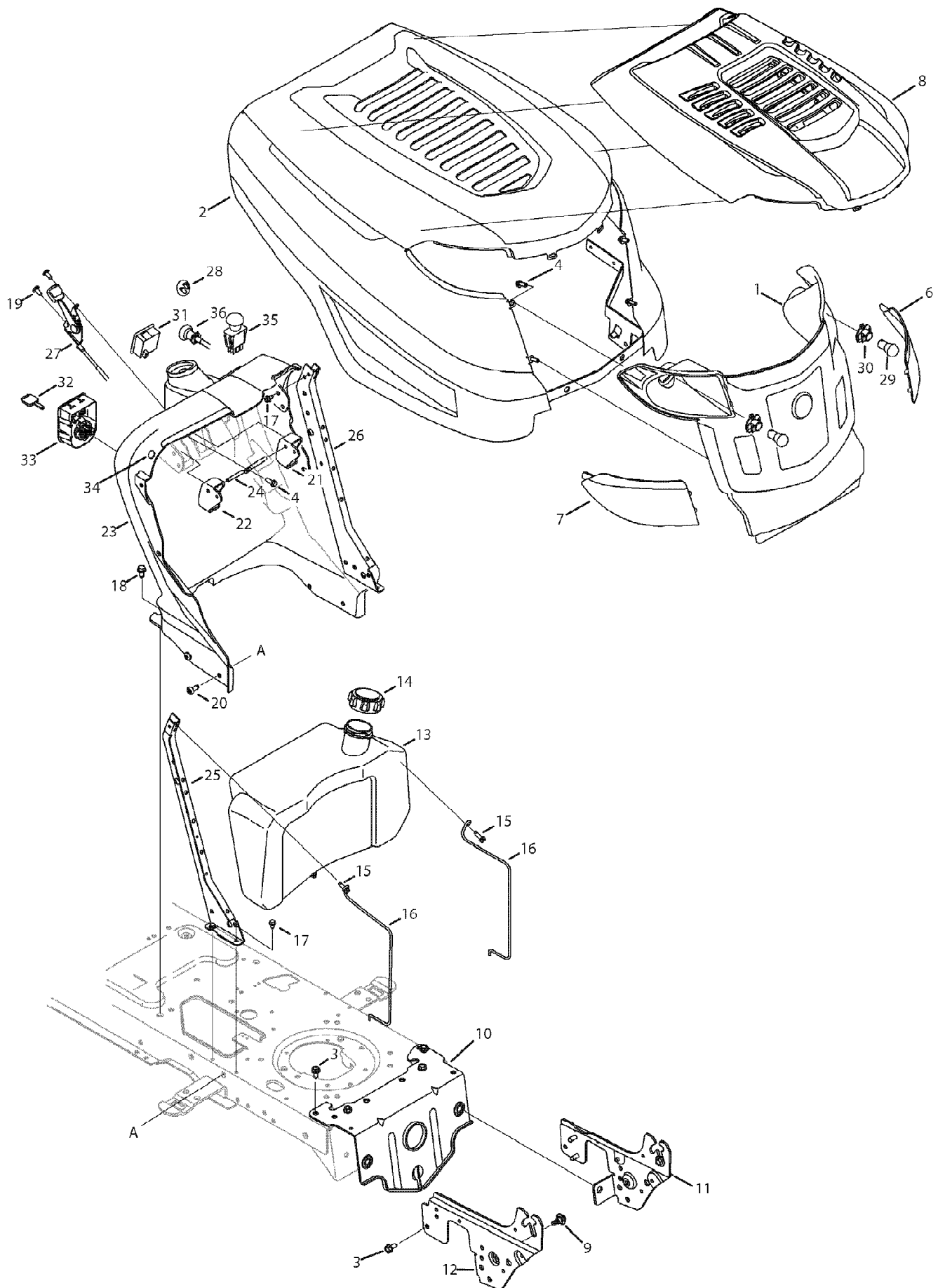
Page 7 of 20

Ref #	Part Number	Qty	S/P/F	Description
1	710-0528	1	/P	Hex Screw, 5/16-18 x 1.25 (Sngle. Cyl.) Range Rider
1	710-0451	1	/P	Carriage Bolt, 5/16-18 (Twin Cyl. Models) Horse
2	710-0599	1	/P	Screw, 1/4-20, 0.500
3	710-04484	1		Screw, 5/16-18, 0.750x
4	710-0895	1		Screw, 1/4-15, 0.750
5	712-04063	1	/P	Nut, Flange Lock, 5/16-18, GrF
6	731-06795	1		Deck Lift Lever Cover
7	731-1993A	1		Cover with Cup Holder
8	735-0690	1		Grommet, .4375 x .750 (Sngle. Cyl.) Range Rider
9	736-3078	1	/P	Washer, Flat,.344 x 1.0 x.063
10	750-3310	1		Flanged Spacer (Sngle. Cyl. Models only) Range Rider
11	783-06246-0638	1		Hydro Fender, 4-style
12	783-0677B-0637	1	/P	Deck Lift Plate
13	720-04061	1		Knob, 3/8-16
14	938-0296	1	/P	Screw, Shoulder,.437 x.268
15	712-3004A	1	/P	Flange Lock Nut, 5/16-18
16	783-06049-0637	1		Seat Mount Bracket
17	783-06088-0637	1		Seat Pivot Bracket
18	783-06266-0637	1	/P	Seat Knob Adjust Bracket
19	757-04086	1		High Back Seat
20	683-04223-0637	1	/P	Deck Lift Shaft Assembly
21	712-04065	1	/P	Nut, Flange Lock, 3/8-16, GrF
22	914-0104	1	/P	Pin, Cotter,.072 Dia. x 1.13
23	914-0111	1	/P	Pin, Cotter, 3/32, 1.0
24	716-0106A	1		Ring, E Type,.625 Dia.
25	720-0311	1		Grip, Handle, 1/2
26	732-0874	1	/P	Spring, Torsion
27	738-0138A	1	/P	Screw, 5/16-18 x.620 Gr2
28	738-04130	1		Scr.,Shldr, .625 x.165,(42" Deck) Range Rider
28	938-0380	1	/P	Scr.,Shldr, .500 x.270, (50" Deck) Horse
29	941-0225	1	/P	Bearing, Hex Flange
30	746-0968	1		Cable, Lift, 16.16
31	747-04447	1		Handle, Lift
32	756-1154	1		Pulley, Roller
33	783-04494B-0637	1	S	Arm, Lift - RH (42" Deck) Range Rider
33	783-04711B-0637	1	S	Arm, Lift - LH (42" Deck) Range Rider
33	783-05546-0637	1	S	Arm, Lift - Universal (50" Deck) Horse
34	726-3046	1	/P	Ratchet Clip
35	735-0656	1		RH Foot Pad
36	735-0657	1		LH Foot Pad



Ref #	Part Number	Qty	S/P/F	Description
1	17962	1		Plate, Switch
2	947-04036A	1	/P	Lever Assembly, Engagement
3	910-0224	1	/P	Screw, #10-16, 0.500
4	710-0276	1	/P	Screw, Carriage, 5/16-18, 1.00
5	710-04608	1		Screw, 7/16-20, 3.25 42" Deck
6	710-0607	1	/P	Screw, 5/16-18, 0.500
7	710-0778	1	/P	Screw, 1/4-20 x 1.50
8	710-3011	1	/P	Screw, 3/8-16 x 2.25
9	712-04065	1	/P	Nut, Flange Lock, 3/8-16, GrF
10	712-3004A	1	/P	Nut, Flange Lock, 5/16-18, Gr5
11	914-0115	1	/P	Pin, Cotter, 1/8 x 1.00
12	914-0145	1	/P	Click Pin
13	726-0201	1		Nut, Speed, .3125 ID
14	731-2111B	1	/P	Knob, PTO
15	732-04248	1		Extension Spring, .38 OD x 3.9 Lg
16	936-0108	1	/P	Washer, Flat, .510 x .750 x .033
17	936-0171	1	/P	Washer, Lock, 7/16
18	736-0173	1	/P	Washer, Flat, .28 x .74 x .063
19	736-0322	1	/P	Washer, Flat, .450 x 1.250 x .164
20	741-0708	1		Bearing, Flange, Hex Split .500 ID
21	746-04353A	1	S	Deck Engagement Cable
22	747-04470	1		Engagement Handle, Deck
23	748-0415B	1	/P	Spacer, .385 ID x .635 OD x 1.54
24	750-0566A	1	/P	Spacer, .260 x .372 x 1.030 Lg.
25	750-0956	1		Spacer, 1.010 x 1.40 x .825
26	956-04067A	1	/P	Pulley, Engine, 42" Deck
27	783-05358-0637	1		Cable Bracket
28	783-0744A-0637	1	/P	Stop Bracket, Engagement
29	683-04173B-0637	1	/P	Frame Assembly, Lower
30	710-04484	1		Screw, 5/16-18 x 0.625
31	710-0642	1	/P	Screw, 1/4-20, 0.750
32	710-3005	1	/P	Screw, 3/8-16, 1.25, Gr5
33	712-04064	1	/P	Nut, Flange Lock, 1/4-20, GrF
34	732-04561	1		Spring, Compr., 1.71 x 3.735 x .238
35	936-0222	1	/P	Washer, Lock, 1/4, External
36	738-04058	1		Spacer, Shoulder, .38 x 1.0 x .70
37	747-04121A	1		Hold Rod, Battery
38	783-0349-0637	1		Battery Tray
39	783-06089-0637	1		Seat Bracket, Frame
40	783-04809C-0637	1	/P	Frame, Upper
41	783-04612-0637	1	/P	Support Bracket, Steering
42	710-04666	1		Hex Head Flange Screw
43	712-0271	1	/P	Nut, Sems, 1/4-20
44	712-3087	1	/P	Nut, Wing, 1/4-20
45	925-1707D	1	/P	Battery, 245 CCA
46	738-1132	1		Screw, Shoulder, .250 x .150
47	925-04039	1	/P	Switch, Interlock
48	710-0599	1	/P	Screw, 1/4-20, 0.50
49	725-04439	1		Solenoid, 12V, 100 Amp
50	747-04857	1	/P	Belt Keeper Rod Assembly 42" Deck
51	710-1260A	1	/P	Screw, 5/16-18, .750 42" Deck
52	783-04722-0637	1		Parking Brake Switch Bracket
53	925-3167	1		Snap Mount Switch

13AX61KG011 Range Rider (2009)
Hood & Dash Assembly

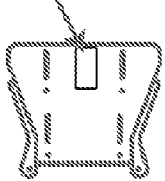


13AX61KG011 Range Rider (2009)
Hood & Dash Assembly

Page 11 of 20

Ref #	Part Number	Qty	S/P/F	Description
1	631-04272	1	/P	Grill Assembly
2	683-04441-0638	1		Hood, K-Style
3	710-04484	1		Screw, 5/16-18, 0.625
4	710-0895	1		Self-tapping Screw, 1/4-15 x.75
6	731-06095	1		Headlight Lens (LH)
7	731-06096	1		Headlight Lens (RH)
8	731-06194A	1	/P	TB Hood Scoop
9	738-04091A	1	/P	Shoulder Screw, .43 x.29
10	783-05326-0637	1	/P	Pivot Bar Bracket
11	783-05327B-0637	1	/P	Pivot Support Bracket, LH (42" Dk.) Range Rider
11	783-05417-0637	1		Pivot Support Bracket, LH (50" Dk.) Horse
12	783-05328A-0637	1	/P	Pivot Support Bracket, RH (42" Dk.) Range Rider
12	783-05418-0637	1		Pivot Support Bracket, RH (50" Dk.) Horse
13	751-10609	1		Fuel Tank, 2.5 gal.
14	751-0603A	1	/P	Fuel Tank Cap
15	710-0642	1	/P	Screw, 1/4-20, 0.750
16	747-04161	1		Gas Tank Support Rod, RH
16	747-04946	1		Gas Tank Support Rod, LH
17	710-0599	1	/P	Screw, 1/4-20, 0.500
18	710-0607	1	/P	Screw, 5/16-18 x 0.500
19	710-1017	1	/P	Screw, 1/4-14 x.625
20	710-1611B	1	/P	Screw, 5/16-18 x.75
21	731-04728	1		Parking Brake Button
22	731-04729	1		Cruise Control Button
23	731-06166	1		Dash Panel w/ Manual PTO Range Rider
23	731-06168	1		Dash Panel w/ Electric PTO Horse
24	747-1196	1		Brake/Cruise Pivot Rod
25	783-04285F-0637	1	/P	RH Dash Support Plate
26	783-04323F-0637	1	/P	LH Dash Support Plate
27	746-04364	1		Throttle/Choke Cntrl. Cable (Single) Range Rider
27	746-04417	1	S	Throttle Cable (Twin Cyl.) Horse
28	731-1999	1		Choke Plug
29	925-0963	1	/P	Headlamp, 12V
30	925-1649	1	/P	Lamp Socket
31	925-04156	1	/P	Systems Ind. Monitor w/ Amtr.
31	925-04036C	1	/P	Service Reminder / Hour Indicator
32	925-1745A	1	/P	Ignition Key w/ plastic cover
33	925-04227B	1	/P	Module, Ignition Switch
34	735-0271A	1	/P	Rubber Bumper, .62 dia. x .3
35	925-04174	1	/P	Electric PTO Switch
36	746-1085A	1	S	Choke Control Cable (Twin Cyl.) Horse
	725-04864	1		Wire Harness (Manual PTO) Not Shown - Range Rider
	725-04862	1		Wire Harness (Electric PTO) Not Shown - Horse
	777X43039	1		Headlight Lens Reflector RH Not Shown
	777X43038	1		Headlight Lens Reflector LH Not Shown
	725-0157	1	/P	Cable Tie, 3/16 x .05 x 7.4 Not Shown

(MODEL PLATE)

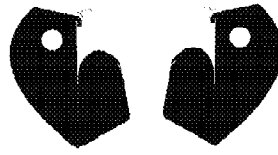


777S32540
Place Centered On Steering Wheel With Only Half Of The Split Backing Removed For Easy Removal

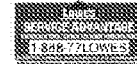
777I22773
Place Centered On Steering Wheel With Only Half Of The Split Backing Removed For Easy Removal



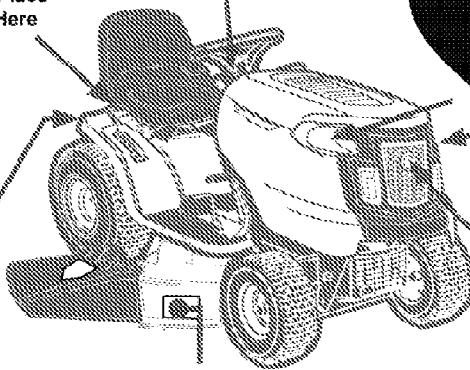
877S010009
Place into Correct Light Ports With Shiny Mylar Surface Facing Out. Assemble Lenses Correctly and Crease Edges Firmly
Drivers RIGHT (777X43039) Drivers LEFT (777X43039)



777X43244
Line up behind battery
MUST BE VISIBLE



If BJ label Has Important Emissions Information Place Label Here



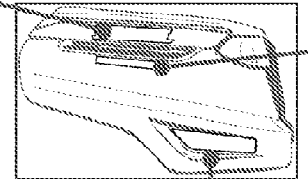
777I22222
On Manual PTO Handle



777D12014 x 2
Align To Top Side Of Hood On Both Sides - Center Over Intake



777D12509 x 2
Center under the intake
HYDROSTATIC



777D13266
Align to Right LOWER Side Panel



777D13267
Align to Left LOWER Side Panel

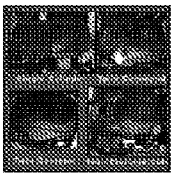


777D12005
Center REAR Fender

777I20801
Place Next To Hydro Release Lever



777I22679
Top Of Engine In Position Shown On Correct Engine

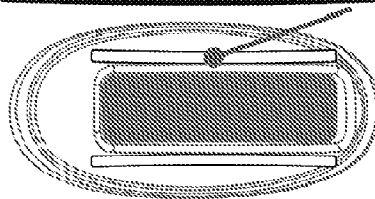


777D11950
42"
cutting deck

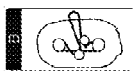
777X43688
Place On Engine Close To Gas Intake



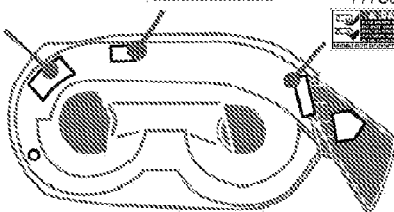
777I23171



777I22643



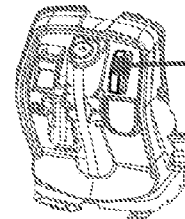
877S30000



777S30503



(REF.) 777S30284
Not In Label Group
Reference Only

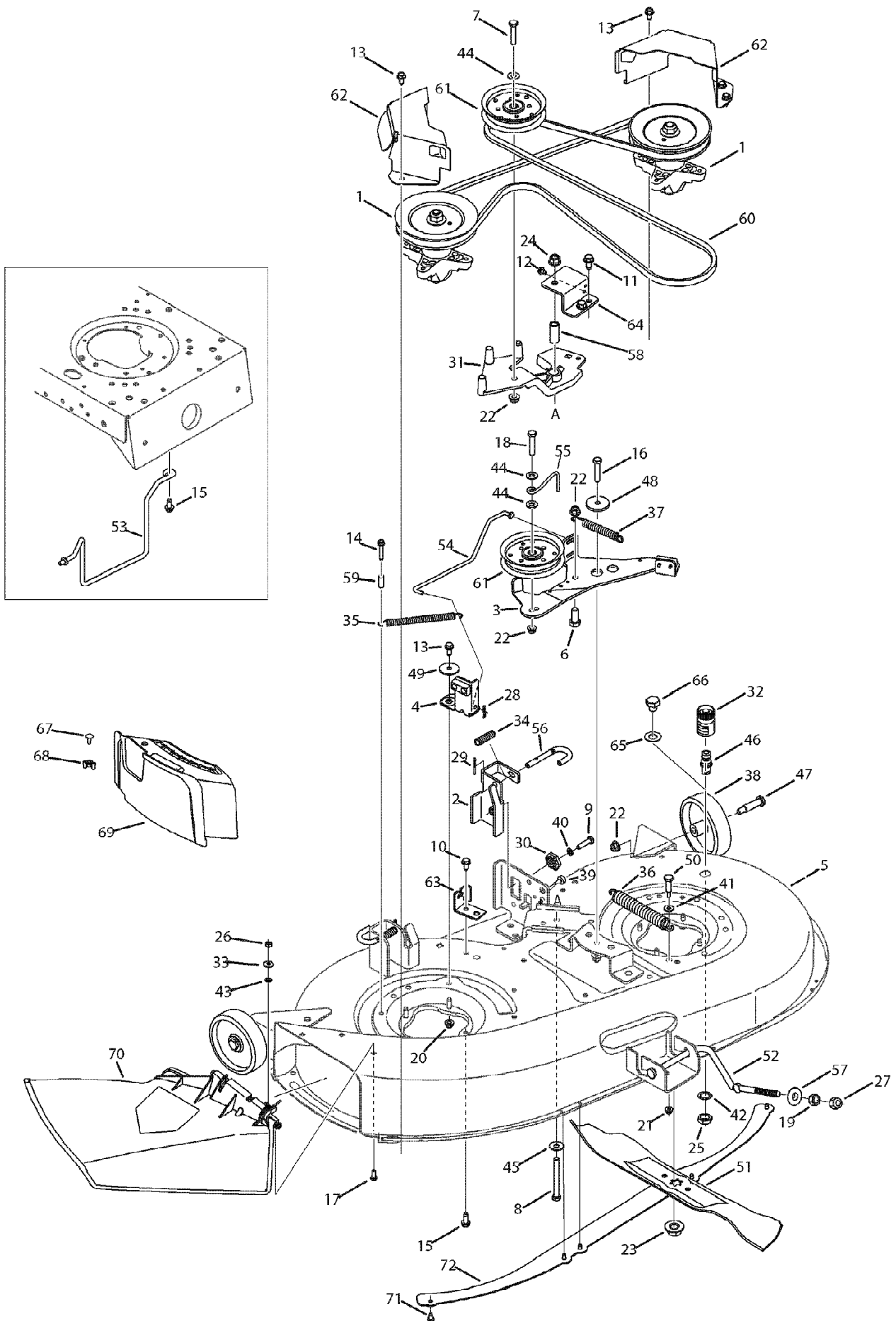


777I22224



Ref #	Part Number	Qty	S/P/F	Description
777S32540	777S32540	1		LABEL:RIDER SAFETY
777X43724	777X43724	1		LABEL-RIDER:PARTSLIST:13AX61KG/09
777D12005	777D12005	1		LABEL-RIDER REAR FENDER TROY
777I20801	777I20801	1		LABEL-HITCHPLATE
777I22679	777I22679	1		LABEL-CHECK ENG OIL
777S30018	777S30018	1	/P	LABEL-DECK SAFETY
777I22643	777I22643	1		LABEL-DECK BELT ROUTE 42"
777S30503	777S30503	1	/P	LABEL-DANGER CHUTE
777S30284	977S30145	1	/P	LABEL
777D11950	777D11950	1		LABEL-RIDER DECK TROY 42"
777X43688	777X43688	1		LABEL-ETHANOL
777I23171	777I23171	1		LABEL-RIDER DECK HT RT99
777I22224	777I22224	1		LABEL-DASH RH
777D13267	777D13267	1		LABEL-RIDER HOOD RANGE RIDER LH
777D13266	777D13266	1		LABEL-RIDER HOOD RANGE RIDER RH
777D13024	777D13024	1		LABEL-TROYBILT/GEAR
777I22222	777I22222	1		LABEL-PTO HANDLE
777D12589	777D12589	1		LABEL-RIDER K-STYLE HOOD HYDR
777D12014	777D12014	1		LABEL-RIDER HOOD K STYLE TROY
777X43244	777X43244	1		LABEL-LOWE'S SERVICE ADVANTAGE
777X43038	777X43038	1		LABEL-RIDER K STYLE LH
777X43039	777X43039	1		LABEL-RIDER K STYLE RH

13AX61KG011 Range Rider (2009)
Mowing Deck 42 Inch



13AX61KG011 Range Rider (2009)
Mowing Deck 42 Inch

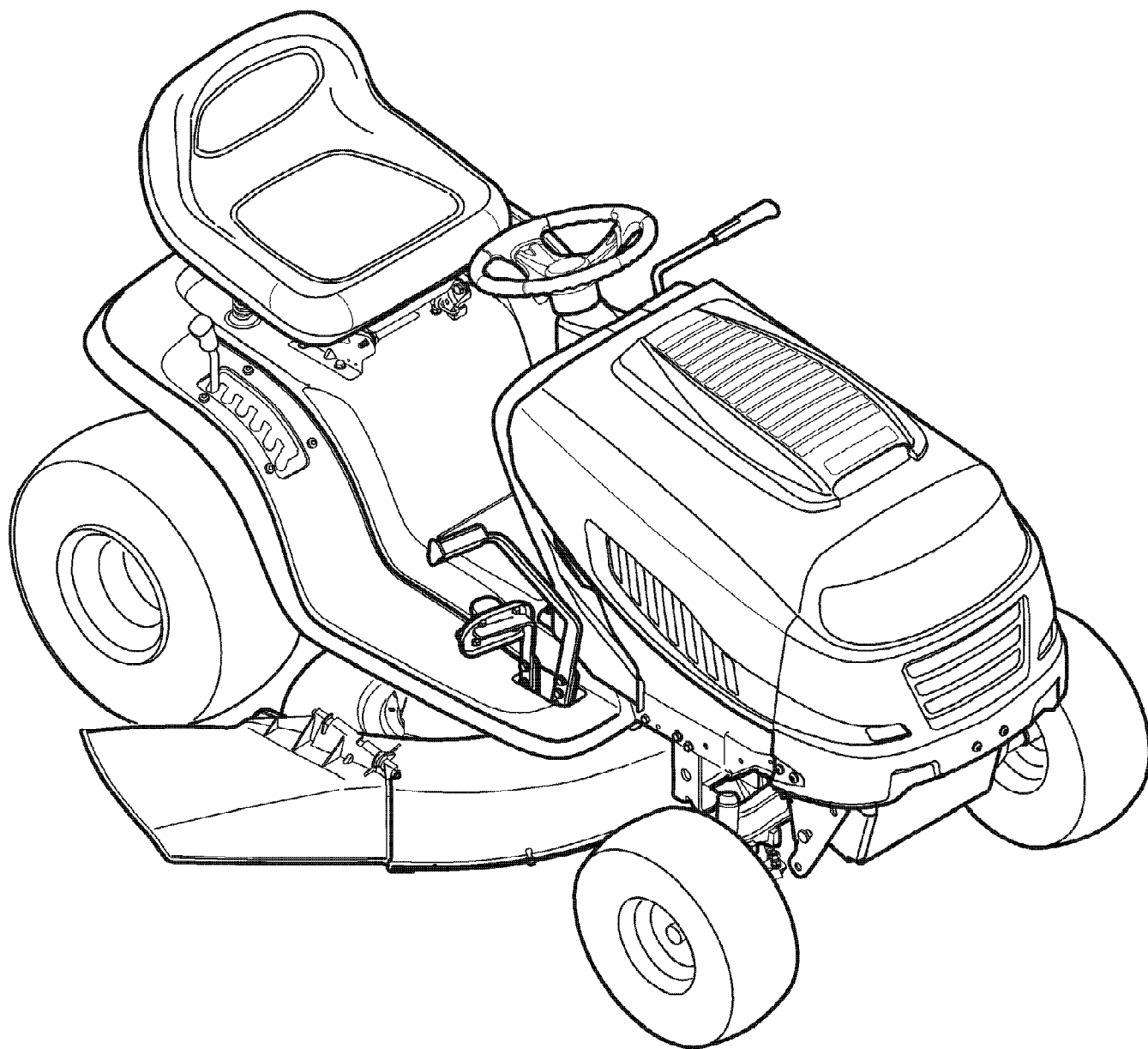
Page 15 of 20

Ref #	Part Number	Qty	S/P/F	Description
1	918-04456	1	S	Spindle Assembly Pulley 6.3 Dia
1	712-0417A	1	/P	Flange Nut:5/8-18 Not shown
1	938-04241	1	/P	Spindle Shaft :5.50 LG Not shown
1	941-0919	1	/P	Ball Bearing:20x47x14:62 Not shown
1	750-04739	1		Spacer:.820x 1.150 x .480 Not shown
1	750-1000	1		Spacer:.80 x 1.10 x 1.322 Not shown
1	956-1227	1	/P	Deck Pulley:6.3 Dia Not shown
2	683-0254B-0637	1	/P	Deck Hanger Bracket Assy. LH
3	683-04138B-0637	1	/P	Brake Assembly, 42" Deck
4	983-04167	1	/P	Brake Assembly, 42" Deck
5	983-04261-0637	1	/P	Deck Assembly 42" W/Whl Brkt.
6	710-0216	1	/P	Screw, 3/8-16 x .75 GR5 STD
7	710-0347	1	/P	Screw, 3/8-16 x 1.75 GR5 STD
8	710-0510	1	/P	Screw, 7/16-20 x 3.00 GR5 STD
9	710-0528	1	/P	Screw, 5/16-18 x 1.25 GR5 STD
10	710-04484	1		Screw, 5/16-18 x 0.75
11	710-0623	1	/P	Screw, 3/8-16 x 0.750
12	710-0653	1	/P	Screw, 1/4-20 x 0.375
13	710-3008	1	/P	Screw, 5/16-18 x 0.750
14	710-0778	1	/P	Screw, 1/4-20 x 1.500
15	710-1260A	1	/P	Screw, 5/16-18 x 0.750
16	710-3005	1	/P	Screw, 3/8-16 x 1.25
17	710-3015	1	/P	Screw, 1/4-20 x .75
18	710-3144	1	/P	Screw, 3/8-16 x 2.00
19	912-0206	1	/P	Hex Nut, 1/2-13
20	712-04063	1	/P	Flange Lock Nut, 5/16-18
21	712-04064	1	/P	Flange Lock Nut, 1/4-20
22	712-04065	1	/P	Flange Lock Nut, 3/8-16
23	712-0417A	1	/P	Flange Nut, 5/8-18
24	712-0459	1	/P	Flange Lock Nut, 7/16-20
25	912-0641	1	/P	Hex Nut, M16-1.5 DIN 936
26	712-3006	1	/P	Hex Nut, 1/4-20
27	712-3083	1	/P	Hex Lock Nut, 1/2-13
28	914-0104	1	/P	Cotter Pin, .072 Dia. x 1.13 Lg.
29	914-0470	1	/P	Cotter Pin, 1/8 x 1.25
30	917-04074	1	/P	Deck Gear Adjustment
31	719-04233-0637	1	/P	Idler Bracket, Cast 42" DECK
32	921-04041	1	/P	Water Nozzle Adapter
33	726-0233	1	/P	Push Nut, .25 ID x .50 OD
34	932-0306A	1	/P	Compression Spring .531 x 1.75
35	732-04287	1		Extension Spring, .500 x 6.375
36	732-0459C	1	/P	Extension Spring, .94 x 6.74
37	932-0470A	1	/P	Extension Spring, .53 x 4.75
38	734-0973	1	/P	Deck Wheel, 5.0 x 1.38
39	735-0271A	1	/P	Bumper, .62 Dia. x .3
40	936-0119	1	/P	Lock Washer, 5/16
41	736-0173	1	/P	Flat Washer, .28 x .74 x .063
42	736-0225	1	/P	Lock Washer, 5/8
43	736-0270	1	/P	Bell Washer, .265 x .75 x .062
44	936-0300	1	/P	Flat Washer, .406 x .875 x .059
45	736-0322	1	/P	Flat Washer, .450 x 1.250 x .164
46	737-04003D	1	/P	Deck Water Nozzle
47	938-0373	1	/P	Shoulder Bolt, .496 x 1.525

13AX61KG011 Range Rider (2009)
Mowing Deck 42 Inch

Page 16 of 20

Ref #	Part Number	Qty	S/P/F	Description
48	738-04162A	1	/P	Shoulder Spacer, .8840 x .190
49	738-04166	1		Shoulder Spacer, .5000 X .1475
50	738-04272	1		Shoulder Screw, .374 x 1.16
51	942-0616A	1	/P	3 in 1 Star Blade 21.23"LG
52	747-04269A	1	/P	Adjustable Front Deck Rod,
53	747-04857	1	/P	Belt-Keeper Rod, 42"
54	747-04501	1		Brake Control Ride, 42"
55	747-04530	1		Belt Keeper Rod, 42" IDLER
56	747-1116	1	/P	Deck Release Handle Rod
57	748-04069	1		Deck Lift Pivot Cup
58	750-04637B	1		Spacer, .455 X .697 X 1.585
59	750-0566A	1	/P	Spacer, .260 x .372 x 1.030
60	954-04045	1	/P	V-Belt
61	756-04129B	1	/P	Idler Pulley, 4.25"DIA
62	783-04327B-0637	1	/P	Belt Covers, 6.00 DIA
63	783-04740-0637	1		Cable Deck Engage Bracket
64	783-05490-0637	1		Support Bracket
65	736-0187	1	/P	Flat Washer, .64 x 1.24 x .06
66	738-04146	1		Bolt Plug, M16 x 1.5
67	710-0134	1	/P	Carriage Screw, 1/4-20 x .62
68	712-3087	1	/P	Wing Nut, 1/4-20
69	731-2363	1	/P	Mulch Plug
70	931-1032B	1	/P	Discharge Chute Assembly
71	710-0599	1	/P	Screw, Hex, 1/4-20, 0.500
72	783-1146A	1	S	Deck Skirt, 42"

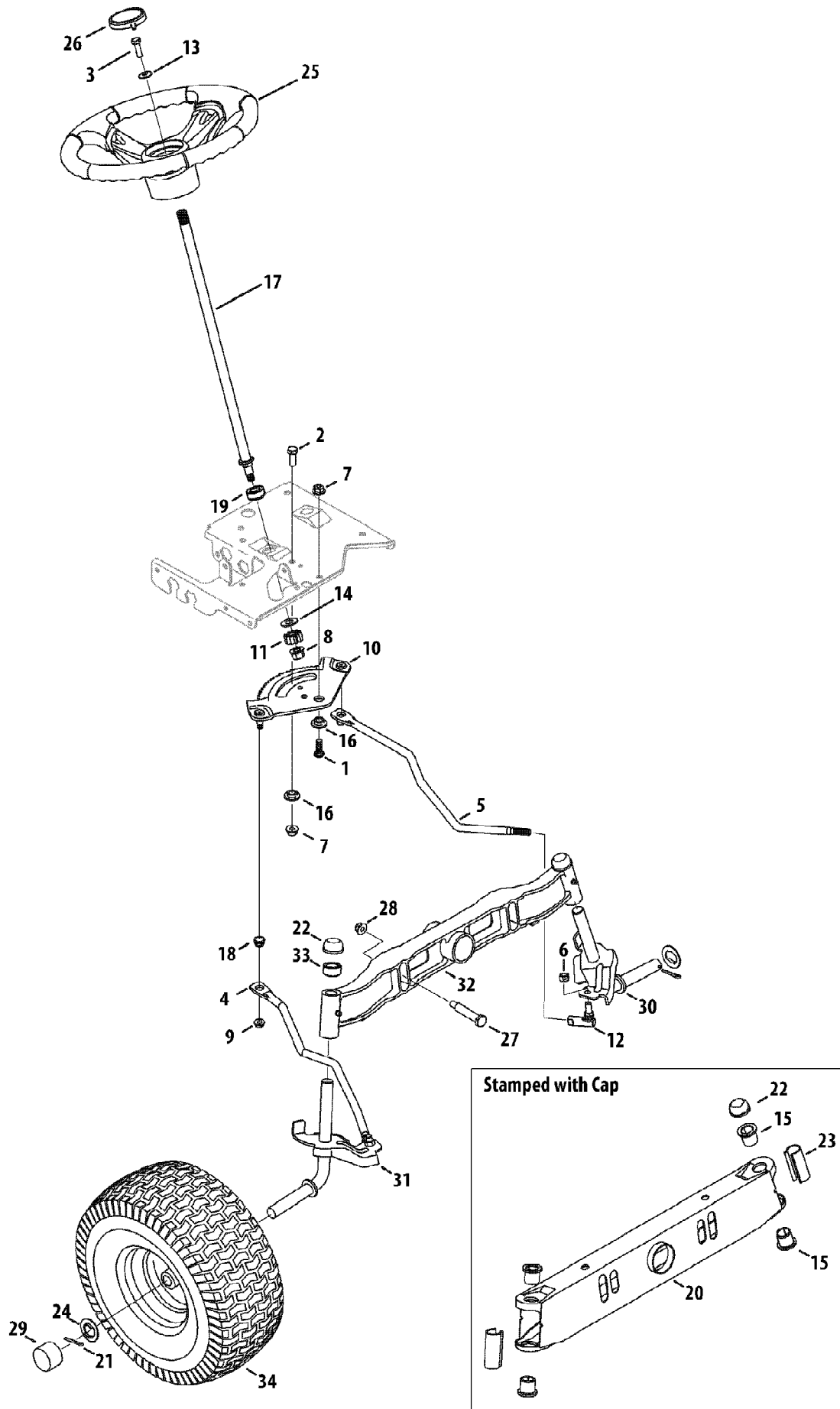


13AX61KG011 Range Rider (2009)
Quick Reference Range Rider

Page 18 of 20

Ref #	Part Number	Qty	S/P/F	Description
	KH-12-050-01-S	1	/P	OIL FILTER
	KH-20-883-02-S1	1	/P	AIR FILTER
	NA	1		PRE-CLEANER ELEMENT
	759-3336	1	/P	SPARK PLUG
	KH-25-050-21-S	1	/P	FUEL FILTER
	942-0616A	1	/P	BLADES
	712-0417A	1	/P	BLADE NUT
	NA	1		UPPER DRIVE BELT
	954-04165	1	/P	LOWER DRIVE BELT
	954-04045	1	/P	DECK SPINDLE BELT
	NA	1		ENGINE TO DECK BELT
	918-04456	1	S	DECK SPINDLES
	925-1745A	1	/P	IGNITION KEYS
	725-04439	1		SOLENOID
	951-3111	1	S	FUEL CAP
	734-0973	1	/P	DECK WHEELS
	923-0448A	1	/P	BALL JOINTS
	741-0516B	1	/P	WHEEL BUSHINGS
	741-0990B	1	/P	WHEEL BUSHINGS IN BOARD
	725-04363	1		SAFETY SWITCH-DECK
	925-04039	1	/P	SAFETY SWITCH-BRAKE/CLUTCH
	NA	1		WATER NOZZLE ADAPTER
	OEM-190-116	1	/P	MULCH KIT Attachment
	OEM-190-180A	1	/P	BAGGER Attachment
	OEM-190-679	1	/P	BUMPER KIT Attachment

13AX61KG011 Range Rider (2009)
Steering & Front Axle Assembly



Ref #	Part Number	Qty	S/P/F	Description
1	710-04095	1		Hex Screw, 3/8-16, 1.00, Gr5
2	710-0514	1	/P	Hex Screw, 3/8-16, 1.00, Gr5
3	710-0643	1	/P	Hex Screw, 5/16-18, 1.00, Gr5
4	711-1408	1		Link, Drag, RH
5	711-1409A	1	/P	Link, Drag, LH
6	912-0214	1	/P	Nut, Hex Lock, 3/8-24
7	712-04065	1	/P	Nut, Flange Lock, 3/8-16, Grf
8	712-0459	1	/P	Nut, Flange Lock, 7/16-20
9	712-3004A	1	/P	Nut, Flange Lock, 5/16-18, Gr5
10	917-1550E	1	S	Gear, Steering, 11/90 Ratio
11	717-1554	1		Gear, Pinion, Steering
12	923-0448A	1	/P	Ball Joint, 7/16-20, Lock
13	936-3004	1	/P	Washer, Flat, .406 x .875 x .105
14	736-3084	1	/P	Washer, Flat, .51 x 1.12 x .06
15	741-0660A	1	/P	Flange Bearing
16	738-04154	1		Spacer, Shoulder, .38 x 1.00 x .31
17	738-04263	1		Shaft, Steering, .625 OD x 24.25
18	941-0475	1	/P	Plastic Bushing .380 ID
19	741-04237A	1	S	Hex Flange Bearing
20	683-0128B-0637	1	/P	Pivot Bar Axle Assembly
21	714-0162	1	/P	Cotter Pin, 5/32 x 1.25 (Cast Axle)
22	726-0341	1	/P	Push Cap, 3/4
23	931-1291A	1	/P	Pivot Bar End Cap w/ fitting
24	736-04228A	1		Flat Washer, .781 x 1.59
25	631-04008A	1	/P	Steering Wheel
26	731-04681	1		Steering Wheel Cap, TB Logo
27	738-04128	1		Shoulder Bolt, .5 x 2.38, 3/8-16
28	712-04065	1	/P	Flange Lock Nut, 3/8-16
29	731-05674	1		Hub Cap, Standard
30	938-04006A-0637	1	/P	LH Axle Assembly, .750 (42" Deck) Range Rider
30	638-04003AP	1	/P	LH Axle Assembly, .750 (50" Deck) Horse
31	938-04005A-0637	1	/P	RH Axle Assembly, .750 (42" Deck) Range Rider
31	938-04004A	1	/P	RH Axle Assembly, .750 (50" Deck) Horse
32	719-04177A	1		Pivot Bar End, Cast
33	748-04068	1		Spacer, Shoulder, .71 x .125 x .56
34	634-04086-0911	1	/P	Wheel Assembly Complete, 15x6
34	734-1731-0901	1	/P	Tire Only 15 x 6 x 6 Not shown
34	934-04081-0662	1	/P	Rim Only w/ Valve Stem Not shown