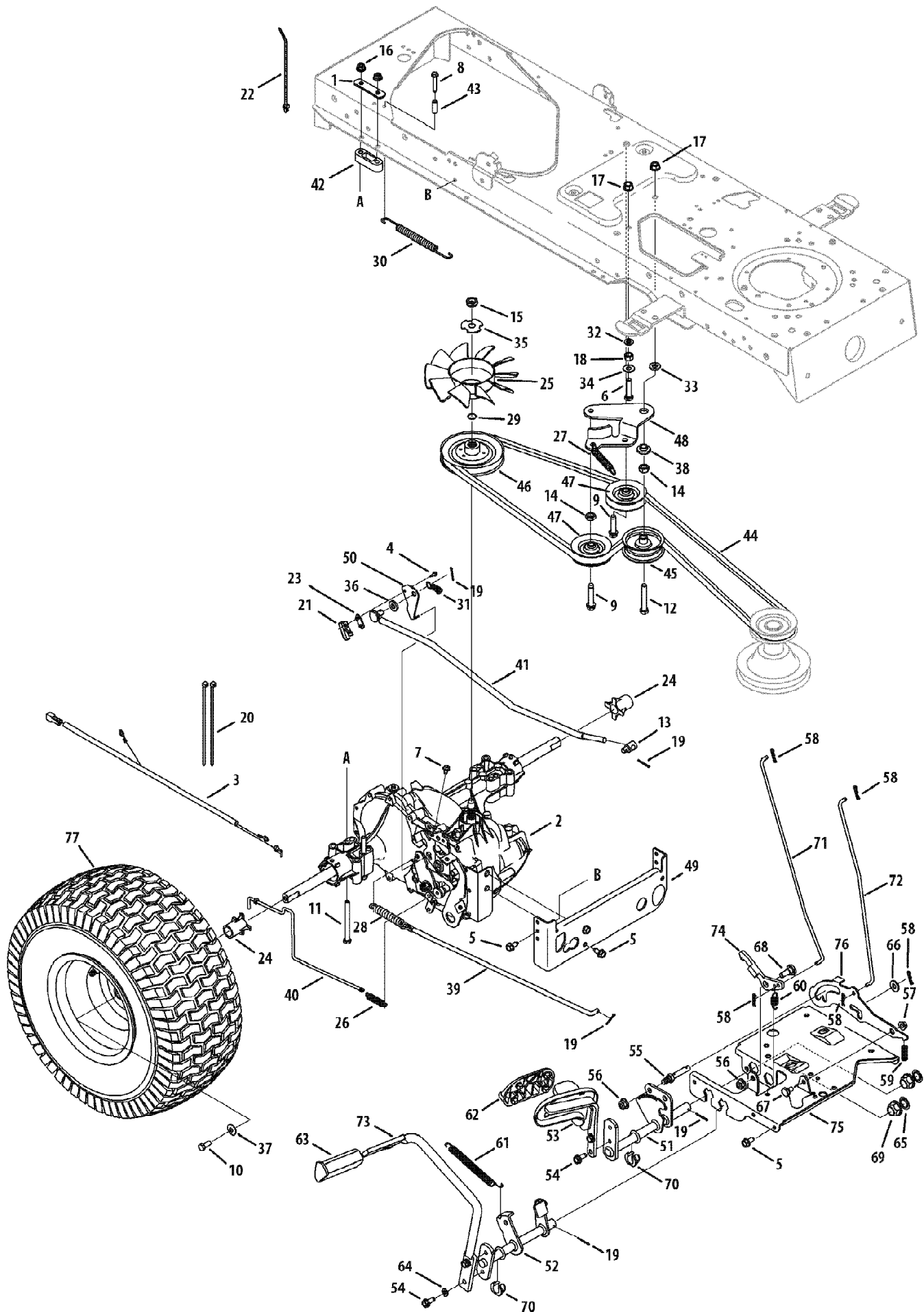


13AX61KG011 Range Rider (2008)
Drive System



13AX61KG011 Range Rider (2008)
Drive System

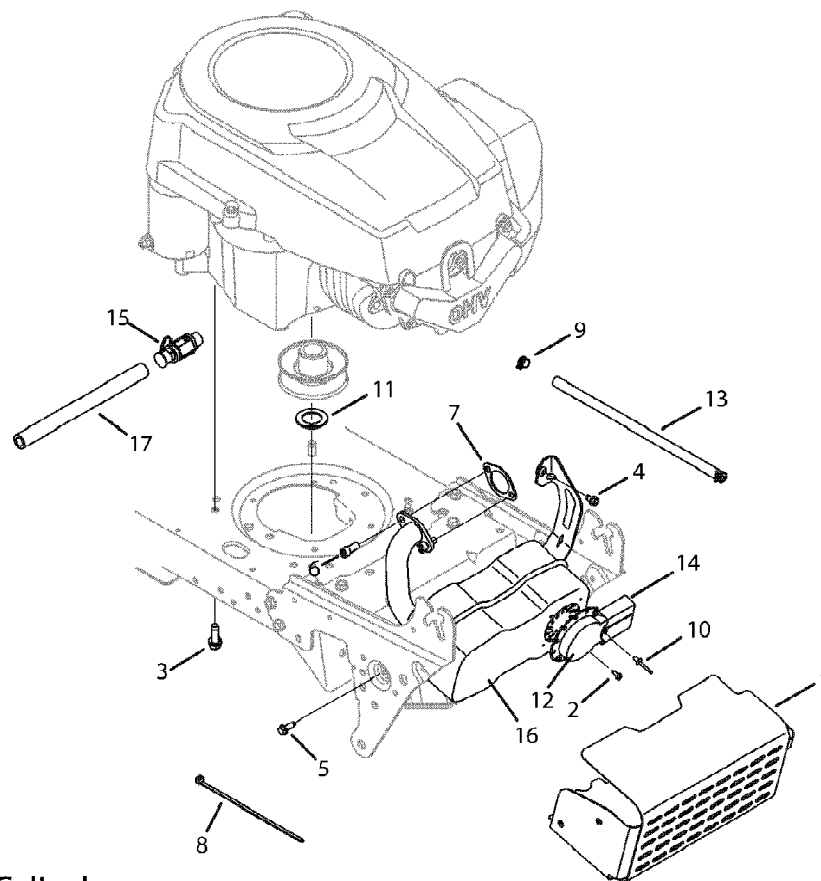
Page 2 of 20

Ref #	Part Number	Qty	S/P/F	Description
1	17840	1	S	Transaxle Mounting Bracket
2	618-0319	1	S	Hydrostatic Transmission, 0510
3	629-0949B	1		Hydro Ground Harness Assembly
4	710-0227	1	/P	Screw, #8-18 x 0.500
5	710-04484	1		Self-Tap Screw, 5/16-18 x .750
6	710-0520	1	/P	Hex Head Screw, 3/8-16 x 1.50 Gr5
7	710-0653	1	/P	Self-Tap Screw, 1/4-20 x 0.375
8	710-0778	1	/P	Self-Tap Screw, 1/4-20 x 1.500
9	710-1007	1	/P	Sems Self-Tap Screw, 3/8-16 x 1.500
10	710-0627	1	/P	Hex Head Screw, 5/16-24, .750 x Gr5
11	710-1266	1	/P	Hex Head Screw, 5/16-18 x 3.50 Gr5
12	710-3011	1	/P	Hex Head Screw, 3/8-16 x 2.25
13	711-0832	1	S	Ferrule, 3/8-24 x .375
14	712-0240	1	S	Jam Nut, 7/16-20
15	712-0346	1	S	Flange Jam Nut, 1/2-20 Gr5
16	712-04063	1	/P	Flange Lock Nut, 5/16-18 Grf
17	712-0431	1	S	Flange Lock Nut, 3/8-16 Grf
18	712-3017	1	S	Hex Nut, 3/8-16 Gr5
19	714-0111	1	S	Cotter Pin, 3/32 1.0
20	725-0157	1	/P	Cable Tie, 3/16 X .05 X 7.4
21	725-1644	1		Short Spring Switch
22	726-0154	1	S	Push Mount Cable Tie, 7.5 Lg
23	726-0320	1	S	Insulator Plate Nut
24	731-05299	1		Sleeve, .765 Id X 1.500 Lg
25	731-06098	1		LT Hydro Fan
26	732-0209	1	S	Extension Spring, .48 Od X 2.03
27	732-04323B	1	/P	Extension Spring, .770 X 3.720 Lg
28	732-0716D	1	/P	Extension Spring, .59 Od X 4.00 Lg
29	732-0729	1	/P	Wire Ring
30	732-0994	1		Extension Spring, .500 Dia X 7.0 Lg
31	732-3118	1		Extension Spring, 3/8 Od X 1.44 Lg
32	736-0169	1	S	Lock Washer, 3/8 Regular Duty
33	736-0258	1	/P	Flat Washer, .385 X 1.0 X .135
34	736-0300	1	S	Flat Washer, .406 X .875 X .059
35	736-04263	1		Lock Washer, Hydro Trans.
36	736-3010	1		Flat Washer, .407 x .812 x .135
37	736-0242	1	/P	Belleville Washer, .340 X .872 X .060
38	738-0372B	1	/P	Shoulder Spacer, 1.00 X .38 X .38
39	747-04139	1		Hydro Brake Rod
40	747-1149	1		Hydro Bypass Rod
41	747-1151	1		Hydro Control Rod
42	748-0334	1	S	Spacer, T-Axle .68
43	750-0566A	1	/P	Spacer, .260 X .372 X 1.030 Lg
44	754-04165	1	S	V-Belt, 4l X 78 Lg Poly
45	756-04224	1	/P	Flat Idler Pulley, 2.75 Od
46	756-04308	1		Input Pulley, 4.13 Dia
47	756-04325	1	/P	Idler Pulley, V-Type X 3.06
48	783-04442	1		Center Double Idler Bracket
49	783-0810B	1	S	Hydro Torque Trans. Bracket
50	783-1019B	1	/P	Light Switch Actuator Bracket
51	647-0049A	1	S	Hydro Control Assembly
52	647-04100	1	S	Brake Control Assembly
53	683-0267C	1	/P	Hydro Control Pedal Assembly

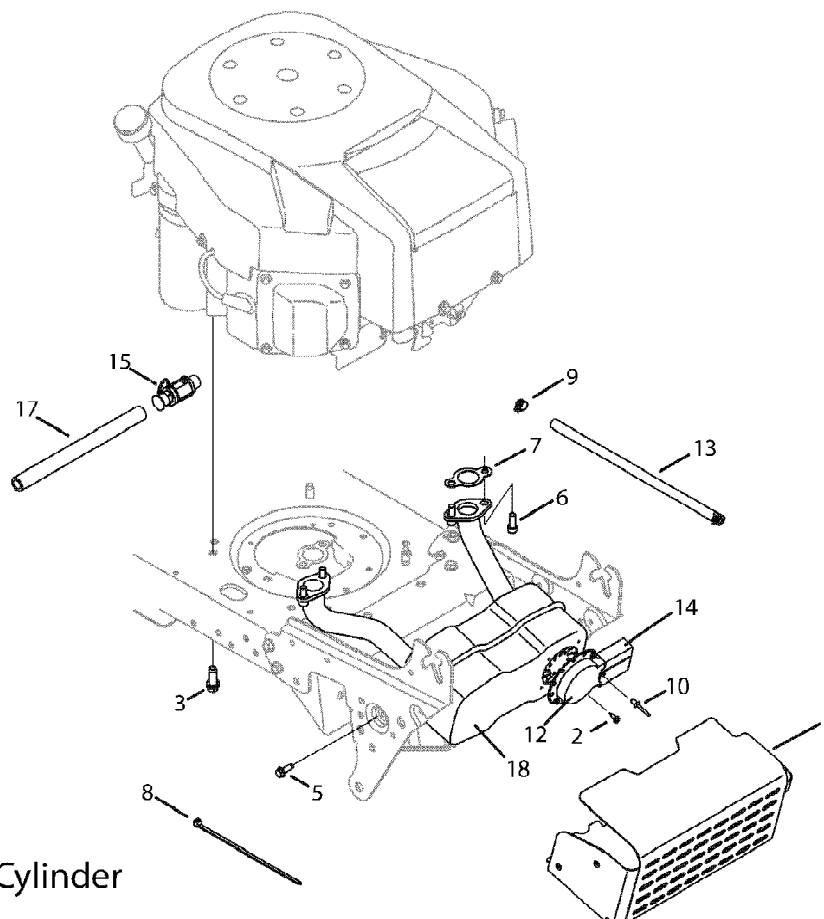
13AX61KG011 Range Rider (2008)
Drive System

Page 3 of 20

Ref #	Part Number	Qty	S/P/F	Description
54	710-1260A	1	/P	Self-tap Screw, 5/16-18 x 0.750
55	711-04159B	1		Pin, 3/8-16 X 2.68lg
56	712-04065	1	/P	Flange Lock Nut, 3/8-16 Grf
57	712-3004A	1	/P	Flange Lock Nut, 5/16-18 Gr5
58	714-0104	1	S	Cotter Pin, .072 Dia. X 1.13 Lg
59	732-0335	1		Compression Spring, .405 X 1.17
60	732-0955	1		Extension Spring, .50 Od X 1.41 Lg
61	732-0963	1		Extension Spring, .50 Dia X 6.37 Lg
62	735-0662	1		Drive Pedal Pad
63	735-3049A	1	/P	Brake Control Pad
64	736-0119	1	S	Lock Washer, 5/16, Regular Duty
65	736-0187	1	/P	Flat Washer, .64 X 1.24 X .06
66	736-0262	1	/P	Flat Washer, .385 X .870 X .092
67	738-0155	1	S	Shoulder Bolt, .435 X .160, 5/16-18
68	738-0380	1	S	Shoulder Bolt, .500 X .270, 3/8-16
69	741-0225	1	S	Hex Flange Bearing
70	741-3065B	1	/P	Hex Flange Bearing
71	747-04093A	1		Brake Lock-Rod
72	747-04096	1		Cruise Control Rod
73	747-04641A	1	S	Brake Pedal
74	748-04039C	1		Latch, cruise
75	783-04612	1	S	Steering Support Bracket
76	783-0663E	1	/P	Hydro Lockout Bracket
77	634-0104	1		Tire Assembly Complete 20 x 8 x 8
77	734-1730	1		Tire, 20 x 8 x 8 Sq. Shldr. Not Shown
77	634-0177	1	/P	Tire Assembly Complete 20 x 10 x 8 Not Shown
77	734-1873	1		Tire, 20 x 10 x 8 Sq. Shldr. Not Shown
77	634-04369	1		Rim-Wheel, Rear Not Shown
77	934-0255	1	/P	Valve-Air, Tubeless Not Shown



Kohler Single Cylinder



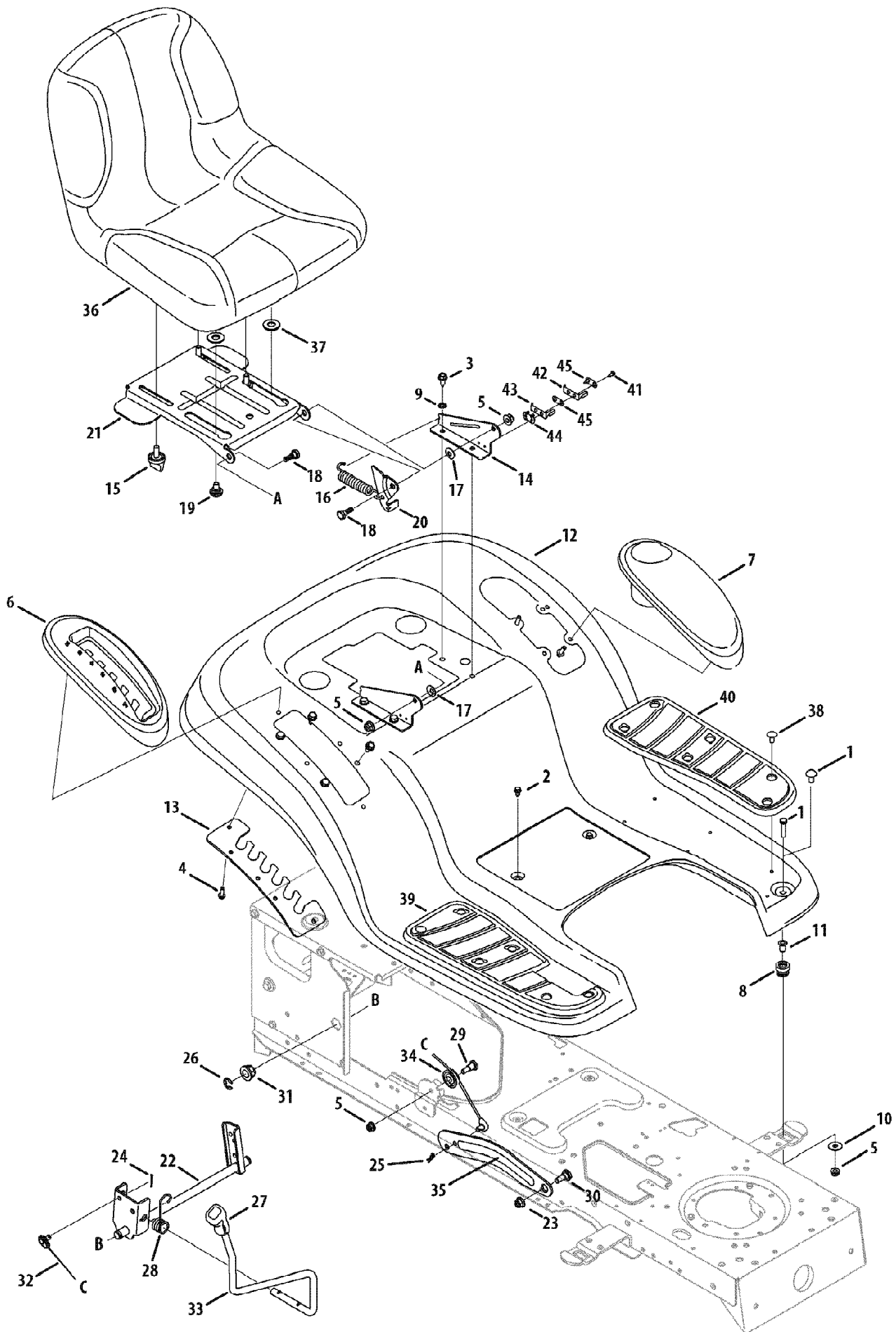
Kohler V-Twin Cylinder

13AX61KG011 Range Rider (2008)
Engine Accessories

Page 5 of 20

Ref #	Part Number	Qty	S/P/F	Description
1	683-04370	1	S	Shield, Muffler
2	710-0227	1	/P	Screw, #8-18, 0.500
3	710-04683	1		Screw, Hex, 3/8-16 x 1.00
4	710-0599	1	/P	Screw, Hex, 1/4-20, 0.500
5	710-0642	1	/P	Screw, Hex, 1/4-20, 0.750
6	710-1314A	1	/P	Screw, 5/16-18, 0.75
7	KH-20-041-12-S	1	/P	Exhaust Gasket
8	725-0157	1	/P	Cable, Tie, 3/16 x .05 x 7.4
9	726-0205	1	/P	Hose Clamp
10	728-04000	1		Rivet, Pop, .188 x .325
11	736-0277	1		Flat Washer, 1.031 x 1.620 x .095
12	751-0564B	1	/P	Deflector, Muffler
13	751-10349	1		Fuel Line, Low Permeation
14	751-10353	1		Extension, Deflector
15	751-10517	1	S	Drain, Oil
16	751-10529	1	S	Muffler, Single Inlet
17	751-3141	1	S	Extension Hose, Oil Drain
18	751-10528	1	S	Twin Muffler, Kohler
19	751K2408643	1		Self-Tap Screw, M5 x 0.8 Torx
20	751K4723702	1	/P	Conduit Dual Clamp, Kohler

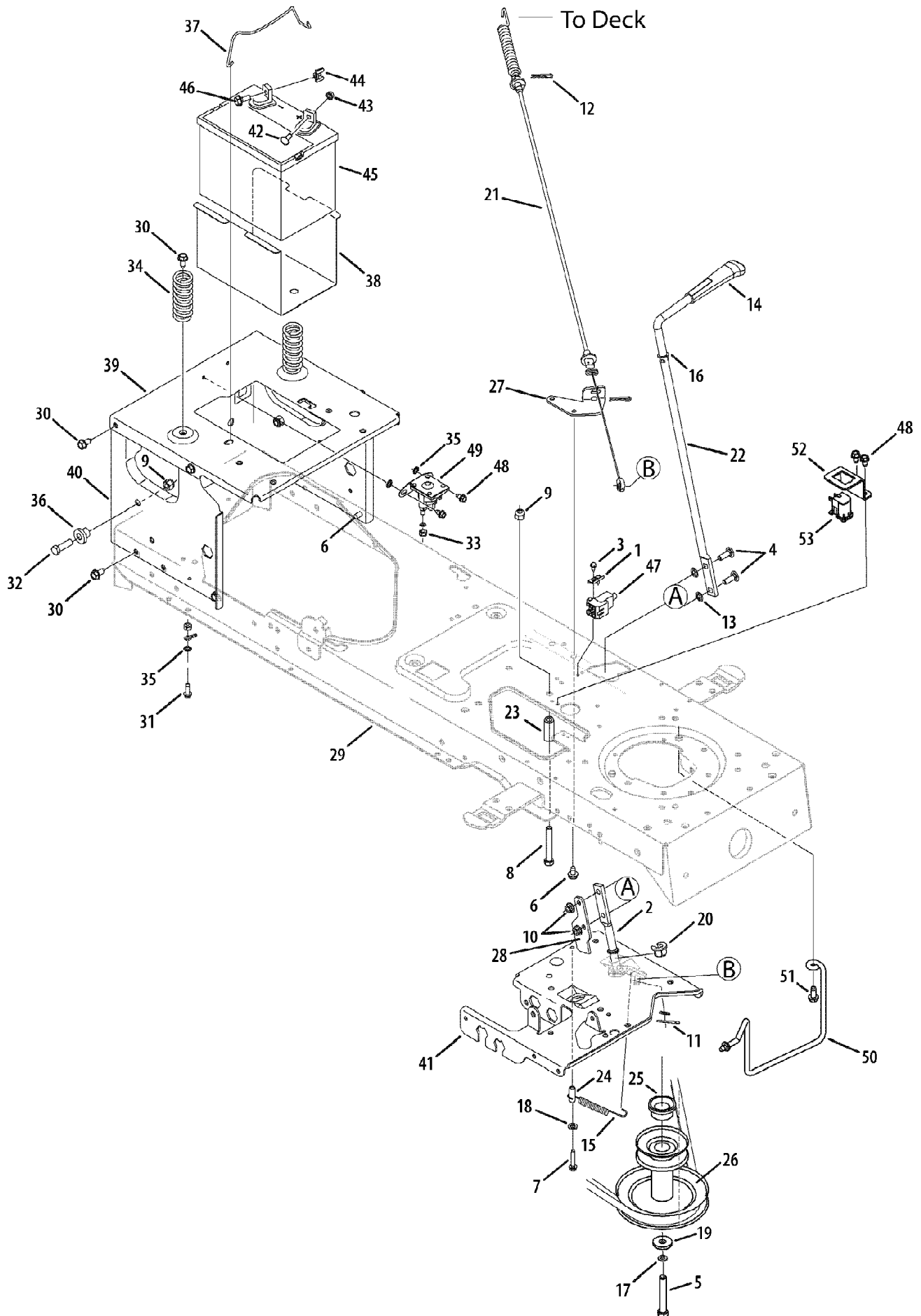
13AX61KG011 Range Rider (2008)
Fender, Deck Lift & Seat



13AX61KG011 Range Rider (2008)
Fender, Deck Lift & Seat

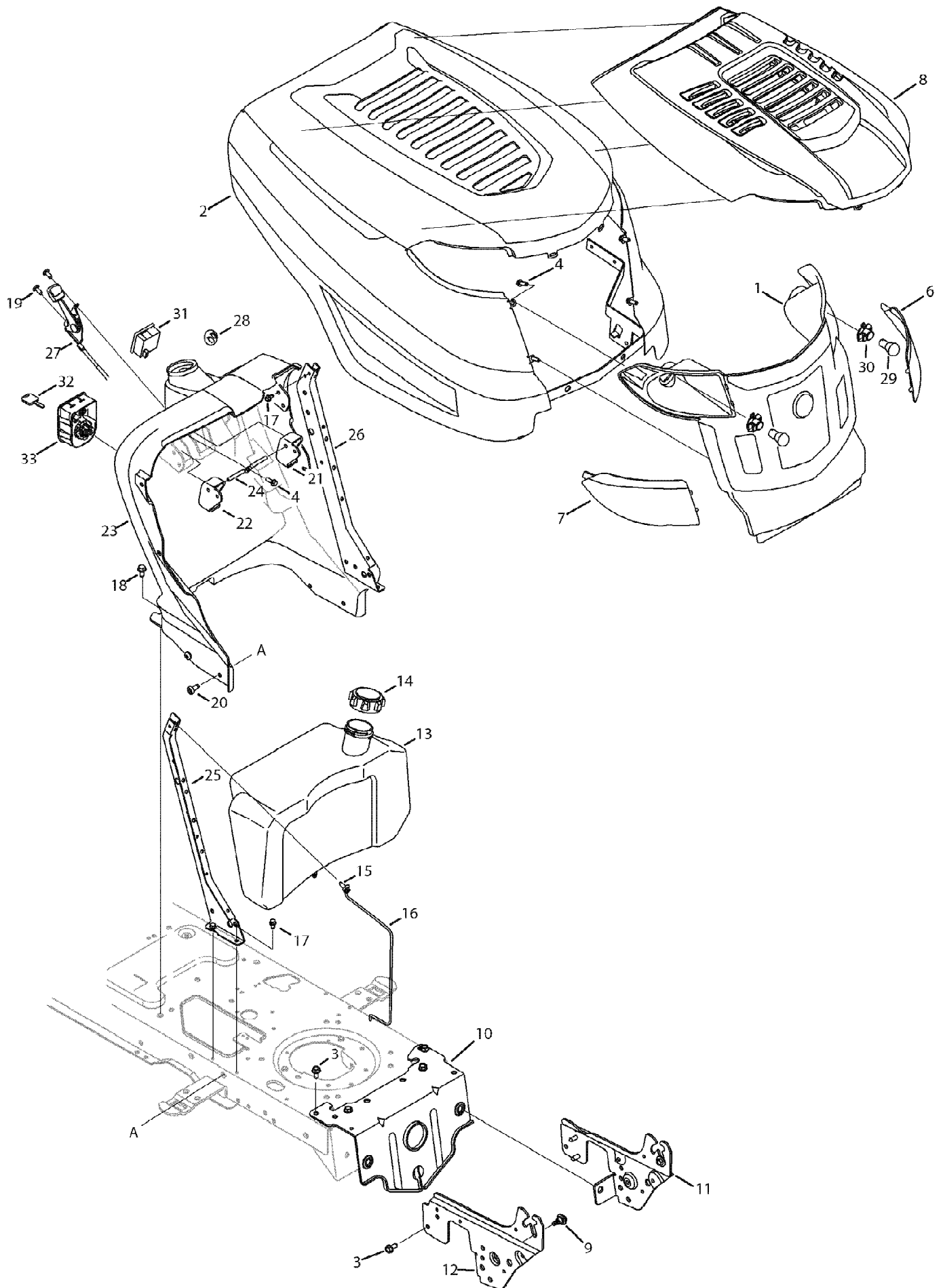
Page 7 of 20

Ref #	Part Number	Qty	S/P/F	Description
1	710-0528	1	/P	Hex Screw, 5/16-18 x 1.25 (Sngle. Cyl.)
1	710-0451	1	/P	Carriage Bolt, 5/16-18 (Twin Cyl. Models)
2	710-0599	1	/P	Screw, 1/4-20, 0.500
3	710-04484	1		Screw, 5/16-18, 0.750x
4	710-0895	1		Screw, 1/4-15, 0.750
5	712-04063	1	/P	Nut, Flange Lock, 5/16-18, GrF
6	731-1990	1		Deck Lift Lever Cover
7	731-1993A	1		Cover with Cup Holder
8	735-0690	1		Grommet, .4375 x .750 (Sngle. Cyl.)
9	736-0607	1	/P	Lock Washer, 5/16
10	736-3078	1	/P	Washer, Flat, .344 x 1.0 x.063
11	750-3310	1		Flanged Spacer (Sngle. Cyl. Models only)
12	783-04333A	1		Hydro Fender, 4-style
13	783-0677B	1		Deck Lift Plate
14	783-1489C	1		Mounting Bracket, Seat
15	720-04061	1		Knob, 3/8-16
16	732-1184	1	/P	Spring, Extension,.84 Dia. x 4.6
17	736-0242	1	/P	Wash, Flat, .340 x .688 x .065
18	738-0296	1	S	Screw, Shoulder,.437 x.268
19	738-04012A	1	/P	Shoulder Screw
20	783-0209D	1	/P	Seat Bracket, Lift
21	783-04081B	1		Seat Pivot Bracket, Manual Adj.
22	683-04223	1	S	Deck Lift Shaft Assembly
23	712-04065	1	/P	Nut, Flange Lock, 3/8-16, GrF
24	714-0104	1	S	Pin, Cotter,.072 Dia. x 1.13
25	714-0111	1	S	Pin, Cotter, 3/32, 1.0
26	716-0106A	1		Ring, E Type,.625 Dia.
27	720-0311	1		Grip, Handle, 1/2
28	732-0874	1	/P	Spring, Torsion
29	738-0138A	1	/P	Screw, 5/16-18 x.620 Gr2
30	738-04130	1		Scr.,Shldr, .625 x.165, (42" Deck)
30	738-0380	1	S	Scr.,Shldr, .500 x.270, (50" Deck)
31	741-0225	1	S	Bearing, Hex Flange
32	746-0968	1		Cable, Lift, 16.16
33	747-04447	1		Handle, Lift
34	756-1154	1		Pulley, Roller
35	783-04494B	1		Arm, Lift - RH (42" Deck)
35	783-04711B	1	/P	Arm, Lift - LH (42" Deck)Not Shown
35	783-05546	1	S	Arm, Lift - Universal (50" Deck)Not Shown
36	757-04003A	1	/P	High Back Seat
37	736-0300	1	S	Flat Washer, .406 x .875 x .059
38	726-3046	1	/P	Ratchet Clip
39	735-0656	1		RH Foot Pad,Rubber
40	735-0657	1		LH Foot Pad, Rubber
41	710-0227	1	/P	Screw, #8-18 x.50
42	725-1303	1	S	Spring Switch, Outer
43	725-1439	1		Spring Switch, Inner
44	726-0278	1		Plate, Insulator Boss
45	726-0279	1		Plate, Insulator



Ref #	Part Number	Qty	S/P/F	Description
1	17962	1		Plate, Switch
2	647-04036A	1	S	Lever Assembly, Engagement
3	710-0224	1	S	Screw, #10-16, 0.500
4	710-0276	1	/P	Screw, Carriage, 5/16-18, 1.00
5	710-04608	1		Screw, 7/16-20, 3.25 42" Deck
6	710-0607	1	/P	Screw, 5/16-18, 0.500
7	710-0778	1	/P	Screw, 1/4-20 x 1.50
8	710-3011	1	/P	Screw, 3/8-16 x 2.25
9	712-04065	1	/P	Nut, Flange Lock, 3/8-16, GrF
10	712-3004A	1	/P	Nut, Flange Lock, 5/16-18, Gr5
11	714-0115	1	S	Pin, Cotter, 1/8 x 1.00
12	714-0145	1	S	Click Pin
13	726-0201	1		Nut, Speed, .3125 ID
14	731-2111B	1	/P	Knob, PTO
15	732-04248	1		Extension Spring, .38 OD x 3.9 Lg
16	736-0108	1	S	Washer, Flat, .510 x .750 x .033
17	736-0171	1	S	Washer, Lock, 7/16
18	736-0173	1	/P	Washer, Flat, .28 x .74 x .063
19	736-0322	1	/P	Washer, Flat, .450 x 1.250 x .164
20	741-0708	1		Bearing, Flange, Hex Split .500 ID
21	746-04353A	1	S	Deck Engagement Cable
22	747-04470	1		Engagement Handle, Deck
23	748-0415B	1	/P	Spacer, .385 ID x .635 OD x 1.54
24	750-0566A	1	/P	Spacer, .260 x .372 x 1.030 Lg.
25	750-0956	1		Spacer, 1.010 x 1.40 x .825
26	756-04607A	1		Pulley, Engine, 42" Deck
27	783-05358	1		Cable Bracket
28	783-0744A	1		Stop Bracket, Engagement
29	683-04173B	1		Frame Assembly, Lower
30	710-04484	1		Screw, 5/16-18 x 0.625
31	710-0642	1	/P	Screw, 1/4-20, 0.750
32	710-3005	1	/P	Screw, 3/8-16, 1.25, Gr5
33	712-04064	1	/P	Nut, Flange Lock, 1/4-20, GrF
34	732-04035	1		Spring, Compr., 1.28 OD x 3.125
35	736-0222	1	S	Washer, Lock, 1/4, External
36	738-04058	1		Spacer, Shoulder, .38 x 1.0 x .70
37	747-04121A	1		Hold Rod, Battery
38	783-0349	1		Battery Tray
39	783-04329A	1		Seat Bracket, Frame
40	783-04809C	1		Frame, Upper
41	783-04612	1	S	Support Bracket, Steering
42	710-04666	1		Hex Head Flange Screw
43	712-0271	1	/P	Nut, Sems, 1/4-20
44	712-3087	1	/P	Nut, Wing, 1/4-20
45	725-1737A	1	S	Battery, 190 CCA
46	738-1132	1		Screw, Shoulder, .250 x .150
47	725-04039	1	S	Switch, Interlock
48	710-0599	1	/P	Screw, 1/4-20, 0.50
49	725-04439	1		Solenoid, 12V, 100 Amp
50	683-04443	1	S	Belt Keeper Rod Assembly
51	710-1260A	1	/P	Screw, 5/16-18, .750
52	783-04722	1		Parking Brake Switch Bracket
53	725-3167	1		Snap Mount Switch

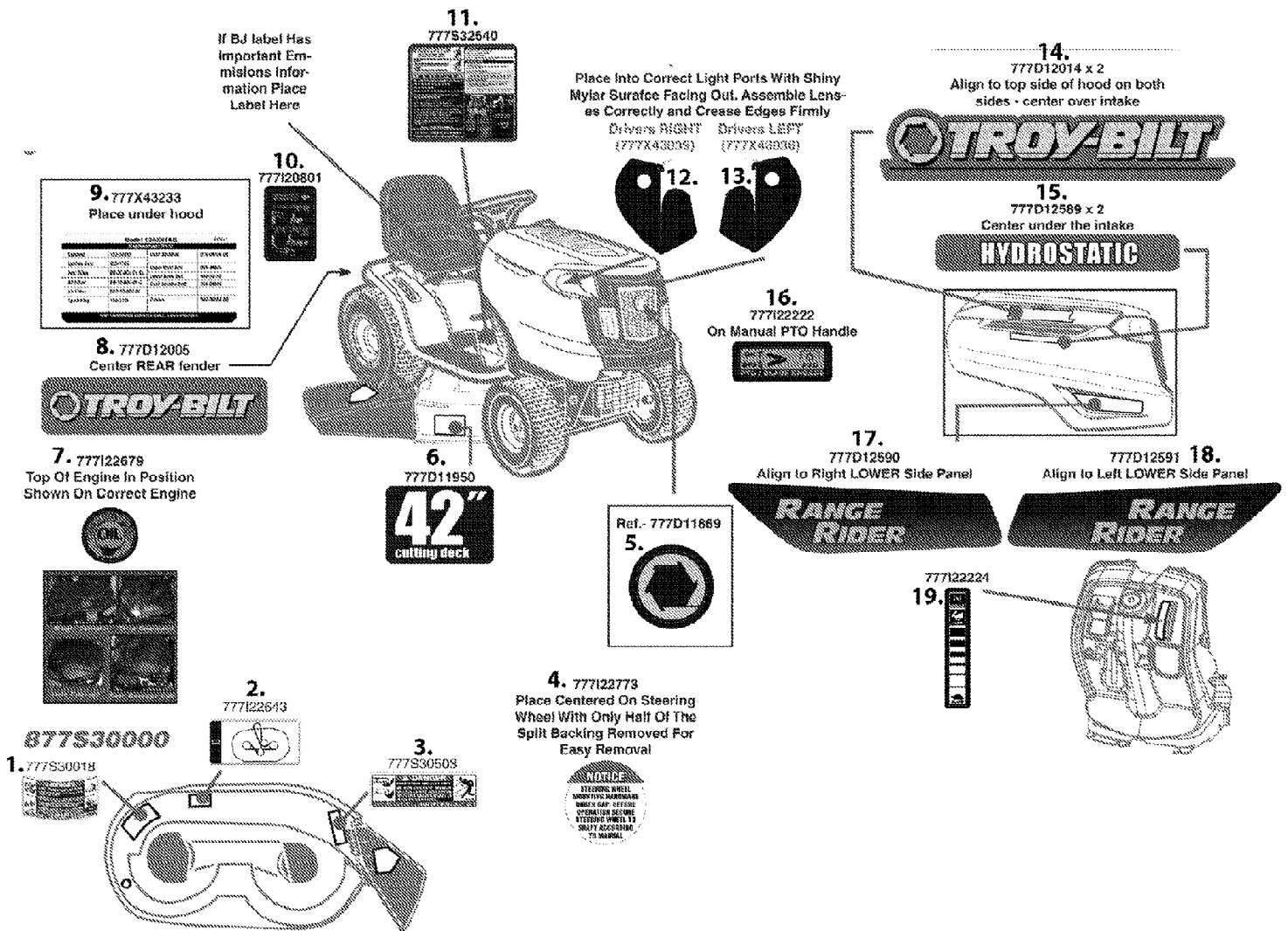
13AX61KG011 Range Rider (2008)
Hood & Dash Assembly



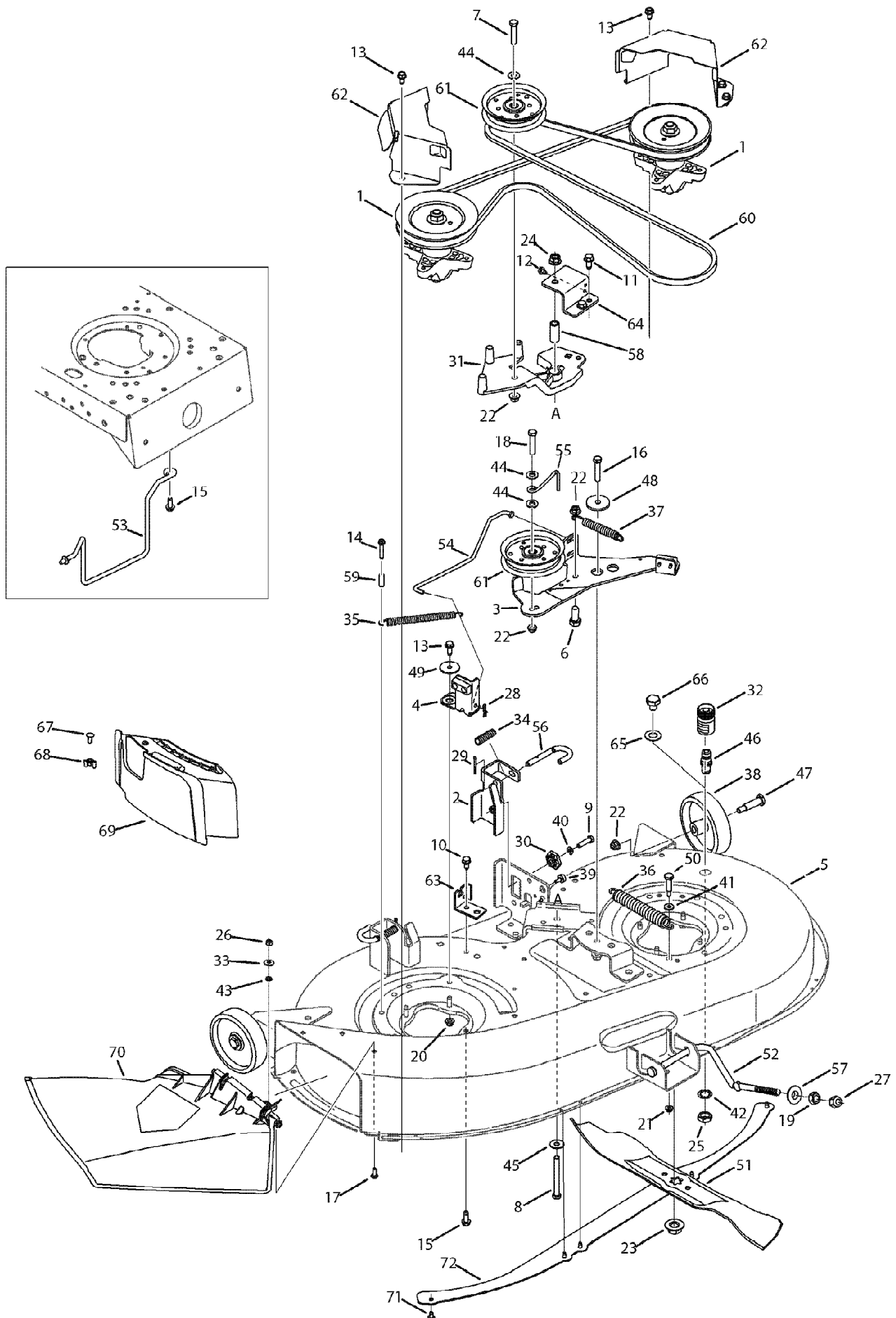
13AX61KG011 Range Rider (2008)
Hood & Dash Assembly

Page 11 of 20

Ref #	Part Number	Qty	S/P/F	Description
1	631-04272	1	/P	Grill Assembly
2	683-04441	1		Hood, K-Style
3	710-04484	1		Screw, 5/16-18, 0.625
4	710-0895	1		Self-tapping Screw, 1/4-15 x.75
5	725-0157	1	/P	Cable Tie, 3/16 x .05 x 7.4 Not Shown
6	731-06095	1		Headlight Lens (LH)
7	731-06096	1		Headlight Lens (RH)
8	731-06194	1	S	TB Hood Scoop
9	738-04091A	1	/P	Shoulder Screw, .43 x.29
10	783-05326	1	S	Pivot Bar Bracket
11	783-05327B	1	S	Pivot Support Bracket, LH (42" Dk.)
11	783-05417	1		Pivot Support Bracket, LH (50" Dk.) Not Shown
12	783-05328A	1	S	Pivot Support Bracket, RH (42" Dk.)
12	783-05418	1		Pivot Support Bracket, RH (50" Dk.) Not Shown
13	751-10609	1		Fuel Tank, 2.5 gal.
14	751-0603	1	S	Fuel Tank Cap
15	710-0642	1	/P	Screw, 1/4-20, 0.750
16	747-04161	1		Gas Tank Support Rod
17	710-0599	1	/P	Screw, 1/4-20, 0.500
18	710-0607	1	/P	Screw, 5/16-18 x 0.500
19	710-1017	1	/P	Screw, 1/4-14 x.625
20	710-1611B	1	/P	Screw, 5/16-18 x.75
21	731-04728	1		Parking Brake Button
22	731-04729	1		Cruise Control Button
23	731-06166	1		Dash Panel w/ Manual PTO
23	731-06168	1		Dash Panel w/ Electric PTO
24	747-1196	1		Brake/Cruise Pivot Rod
25	783-04285F	1	S	RH Dash Support Plate
26	783-04323F	1	S	LH Dash Support Plate
27	746-04364	1		Throttle/Choke Cntrl. Cable (Single)
27	746-04417	1	S	Throttle Cable (Twin Cyl.)
28	731-1999	1		Choke Plug
29	725-0963	1	S	Headlamp, 12V
30	725-1649	1	S	Lamp Socket
31	725-04156	1	S	Systems Ind. Monitor w/ Amtr.
31	725-04036C	1	S	Service Reminder / Hour Indicator Not Shown
32	725-1745A	1	S	Ignition Key w/ plastic cover
32	725-1744A	1	S	Ignition Key w/o plastic cover Not Shown
33	725-04227B	1	S	Module, Ignition Switch
	725-1752	1	S	Electric PTO Switch Not Shown
	746-1085A	1	S	Choke Control Cable (Twin Cyl.)Not Shown
	629-04083B	1	S	Headlight Wire Harness Not Shown
	725-04411A	1		Wire Harness (Manual PTO)Not Shown
	725-04404A	1	S	Wire Harness (Electric PTO)Not Shown
	777X43039	1		Headlight Lens Reflector RH Not Shown
	777X43038	1		Headlight Lens Reflector LH Not Shown



Ref #	Part Number	Qty	S/P/F	Description
1	777S30018	1	/P	LABEL-DECK SAFETY
2	777I22643	1		LABEL-DECK BELT ROUTE 42"
3	777S30503	1	/P	LABEL-DANGER CHUTE
4	777I22773	1		LABEL-RIDER:SECURE WHEEL
5	777D11869	1		LABEL-EMBOSSSED TROYBILT
6	777D11950	1		LABEL-RIDER DECK TROY 42"
7	777I22679	1		LABEL-CHECK ENG OIL
8	777D12005	1		LABEL-RIDER REAR FENDER TROY
9	777X43233	1		LABEL:RIDER:PARTSLIST
10	777I20801	1		LABEL-HITCHPLATE
11	777S32540	1		LABEL:RIDER SAFETY HYD W/CRSE
12	777X43039	1		LABEL-RIDER K STYLE RH
13	777X43038	1		LABEL-RIDER K STYLE LH
14	777D12014	1		LABEL-RIDER HOOD K STYLE TROY
15	777D12589	1		LABEL:RIDER:KSTYHOOD:HYDRO
16	777I22222	1		LABEL-PTO HANDLE
17	777D12590	1		LABEL:RIDER:RTLOWHDSD
18	777D12591	1		LABEL:RIDER:LFTLOWHDSD
19	777I22224	1		LABEL-DASH RH



13AX61KG011 Range Rider (2008)
Mowing Deck Range Rider

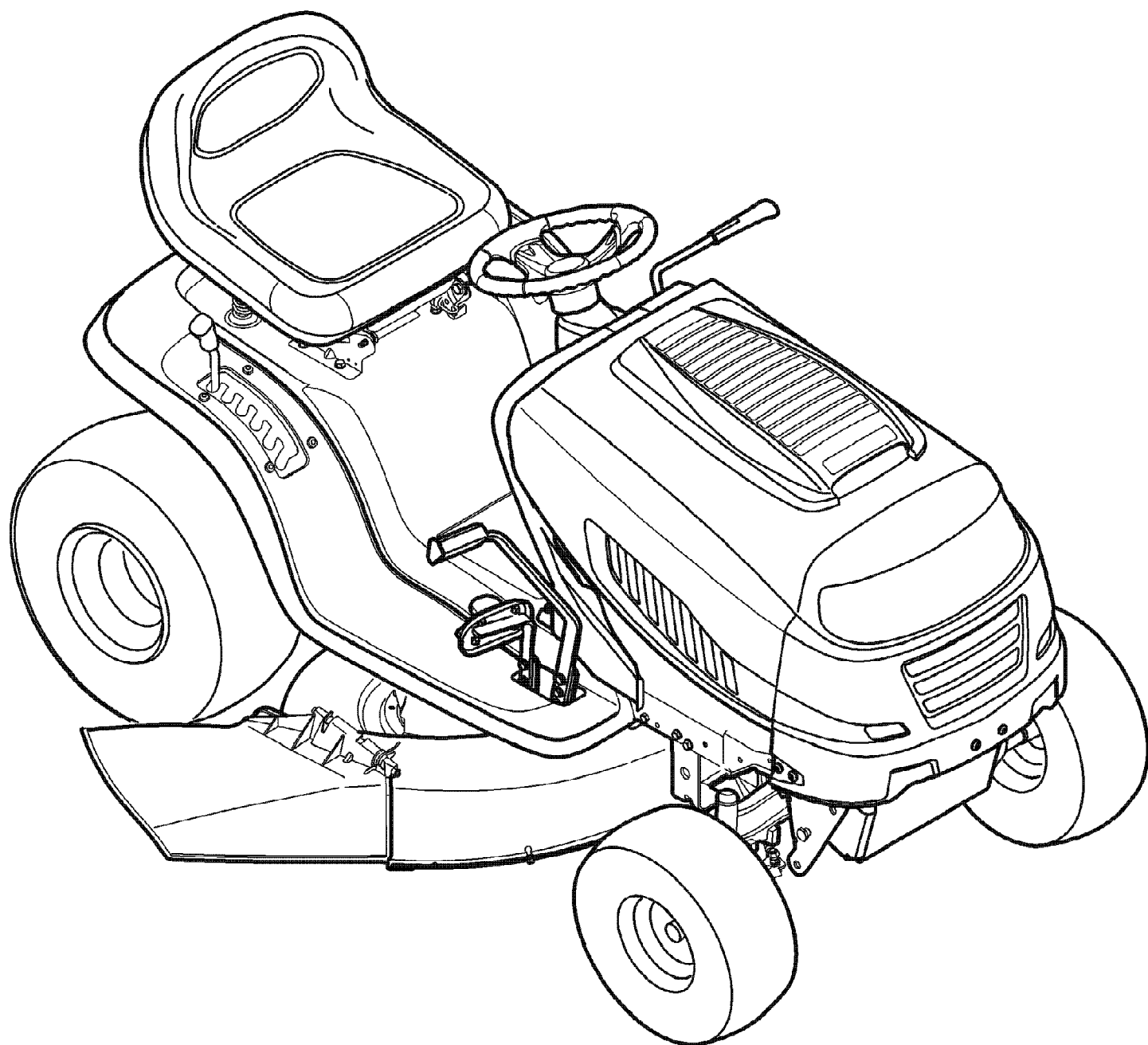
Page 15 of 20

Ref #	Part Number	Qty	S/P/F	Description
1	618-04456	1	S	Spindle Assembly Pulley 6.3 Dia
1	712-0417A	1	/P	Flange Nut:5/8-18 Not shown
1	938-04241	1	/P	Spindle Shaft:5.50 LG Not shown
1	941-0919	1	/P	Ball Bearing:20x47x14:62 Not shown
1	750-04739	1		Spacer:.820x 1.150 x .480 Not shown
1	750-1000	1		Spacer:.80 x 1.10 x 1.322 Not shown
1	956-1227	1	/P	Deck Pulley:6.3 Dia Not shown
2	683-0254B	1	/P	Deck Hanger Bracket Assy. LH
3	683-04138B	1	/P	Brake Assembly, 42" Deck
4	683-04167	1	S	Brake Assembly, 42" Deck
5	683-04261	1	S	Deck Assembly 42" W/Whl Brkt.
6	710-0216	1	/P	Screw, 3/8-16 x .75 GR5 STD
7	710-0347	1	/P	Screw, 3/8-16 x 1.75 GR5 STD
8	710-0510	1	/P	Screw, 7/16-20 x 3.00 GR5 STD
9	710-0528	1	/P	Screw, 5/16-18 x 1.25 GR5 STD
10	710-04484	1		Screw, 5/16-18 x 0.75
11	710-0623	1	/P	Screw, 3/8-16 x 0.750
12	710-0653	1	/P	Screw, 1/4-20 x 0.375
13	710-3008	1	/P	Screw, 5/16-18 x 0.750
14	710-0778	1	/P	Screw, 1/4-20 x 1.500
15	710-1260A	1	/P	Screw, 5/16-18 x 0.750
16	710-3005	1	/P	Screw, 3/8-16 x 1.25
17	710-3015	1	/P	Screw, 1/4-20 x .75
18	710-3144	1	/P	Screw, 3/8-16 x 2.00
19	712-0206	1	S	Hex Nut, 1/2-13
20	712-04063	1	/P	Flange Lock Nut, 5/16-18
21	712-04064	1	/P	Flange Lock Nut, 1/4-20
22	712-04065	1	/P	Flange Lock Nut, 3/8-16
23	712-0417A	1	/P	Flange Nut, 5/8-18
24	712-0459	1	/P	Flange Lock Nut, 7/16-20
25	712-0641	1	S	Hex Nut, M16-1.5 DIN 936
26	712-3006	1	/P	Hex Nut, 1/4-20
27	712-3083	1	/P	Hex Lock Nut, 1/2-13
28	714-0104	1	S	Cotter Pin, .072 Dia. x 1.13 Lg.
29	714-0470	1	S	Cotter Pin, 1/8 x 1.25
30	717-04074	1	S	Deck Gear Adjustment
31	719-04233	1	S	Idler Bracket, Cast 42" DECK
32	721-04041	1	S	Water Nozzle Adapter
33	726-0233	1	/P	Push Nut, .25 ID x .50 OD
34	732-0306A	1	S	Compression Spring .531 x 1.75
35	732-04287	1		Extension Spring, .500 x 6.375
36	732-0459C	1	/P	Extension Spring, .94 x 6.74
37	732-0470A	1	S	Extension Spring, .53 x 4.75
38	734-0973	1	/P	Deck Wheel, 5.0 x 1.38
39	735-0271A	1	/P	Bumper, .62 Dia. x .3
40	736-0119	1	S	Lock Washer, 5/16
41	736-0173	1	/P	Flat Washer, .28 x .74 x .063
42	736-0225	1	/P	Lock Washer, 5/8
43	736-0270	1	/P	Bell Washer, .265 x .75 x .062
44	736-0300	1	S	Flat Washer, .406 x .875 x .059
45	736-0322	1	/P	Flat Washer, .450 x 1.250 x .164
46	737-04003D	1	/P	Deck Water Nozzle
47	738-0373	1	S	Shoulder Bolt, .496 x 1.525

13AX61KG011 Range Rider (2008)
Mowing Deck Range Rider

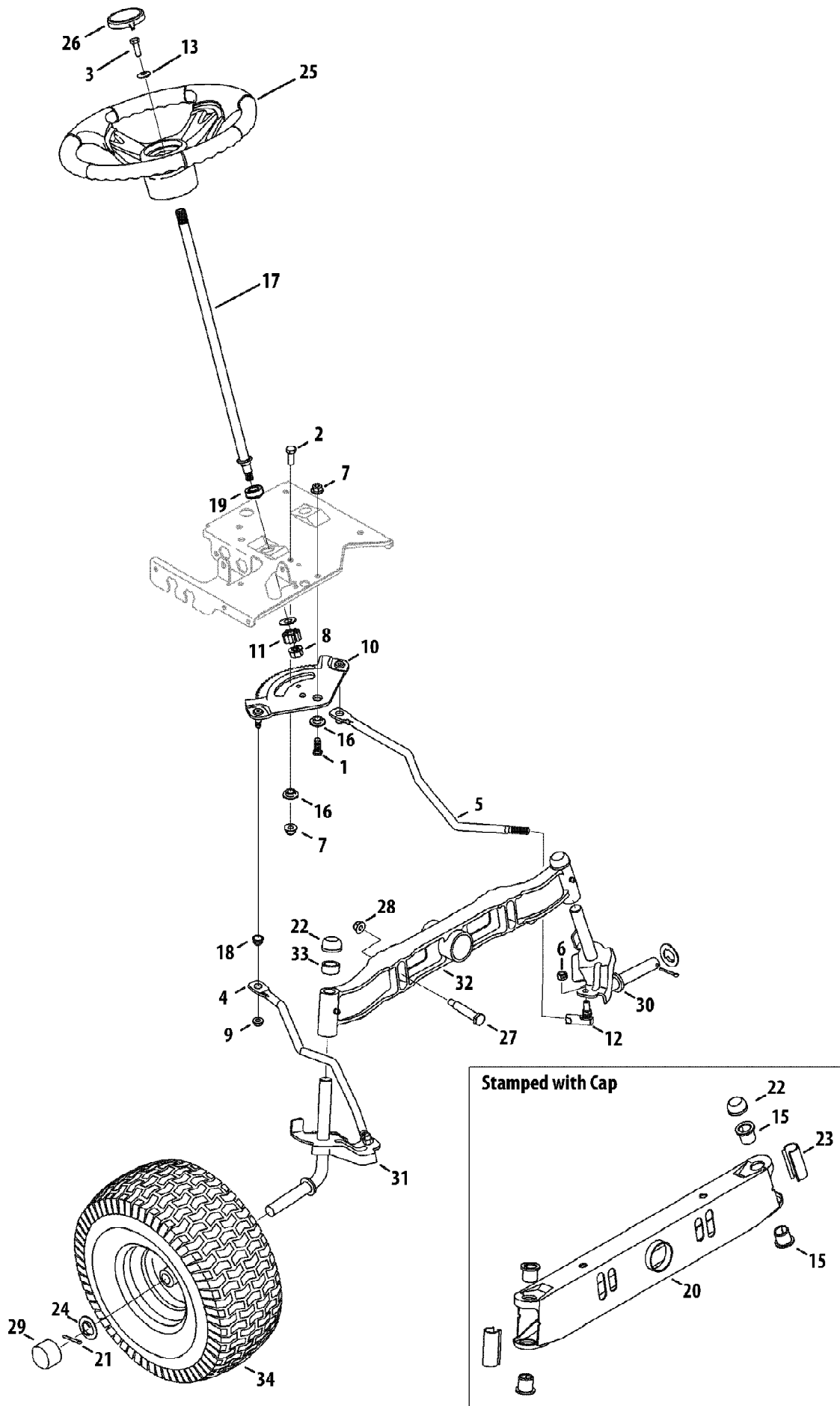
Page 16 of 20

Ref #	Part Number	Qty	S/P/F	Description
48	738-04162A	1	/P	Shoulder Spacer, .8840 x .190
49	738-04166	1		Shoulder Spacer, .5000 X .1475
50	738-04272	1		Shoulder Screw, .374 x 1.16
51	742-0616A	1	S	3 in 1 Star Blade 21.23"LG
52	747-04269A	1	/P	Adjustible Front Deck Rod,
53	683-04443	1	S	Belt-Keeper Rod, 42"
54	747-04501	1		Brake Control Ride, 42"
55	747-04530	1		Belt Keeper Rod, 42" IDLER
56	747-1116	1	/P	Deck Release Handle Rod
57	748-04069	1		Deck Lift Pivot Cup
58	750-04637B	1		Spacer, .455 X .697 X 1.585
59	750-0566A	1	/P	Spacer, .260 x .372 x 1.030
60	754-04045	1	S	V-Belt
61	756-04129	1	S	Idler Pulley, 4.25"DIA
62	783-04327B	1		Belt Covers, 6.00 DIA
63	783-04740	1		Cable Deck Engage Bracket
64	783-05490	1		Support Bracket
65	736-0187	1	/P	Flat Washer, .64 x 1.24 x .06
66	738-04146	1		Bolt Plug, M16 x 1.5
67	710-0134	1	/P	Carriage Screw, 1/4-20 x .62
68	712-3087	1	/P	Wing Nut, 1/4-20
69	731-2363	1	/P	Mulch Plug
70	731-1032B	1	S	Discharge Chute Assembly
71	710-0599	1	/P	Screw, Hex, 1/4-20, 0.500
72	783-1146A	1	S	Deck Skirt, 42"



Ref #	Part Number	Qty	S/P/F	Description
	KH-12-050-01-S	1	/P	Oil Filter
	OCC-20-083-02	1	S	Air Filter
	N/A	1		Pre Cleaner
	759-3336	1	/P	Spark Plug
	KH-25-050-21-S	1	/P	Fuel Filter
	742-0616A	1	S	Blades
	712-0417A	1	/P	Blade Nut
	N/A	1		Upper Drive Belt
	754-04165	1	S	Lower Drive Belt
	754-04045	1	S	Deck Spindle Belt
	918-04456	1	S	Deck Spindle
	925-1745	1	S	Ignition Keys
	725-04439	1		Solenoid
	951-3111	1	S	Fuel Cap
	734-0973	1	/P	Deck Wheels
	923-0448A	1	/P	Ball Joints
	741-0516B	1	/P	Wheel Bushings
	741-0990B	1	/P	Wheel Bushings In Board
	925-04039	1	/P	Deck Switch
	925-04039	1	/P	Brake Switch
	721-04041	1	S	Water Nozzle Adapter
	731-1032B	1	S	Discharge Chute
	731-2363	1	/P	Mulch Plug
	OEM-190-032	1	/P	42-inch Two-stage Snow Thrower Attachment
	OEM-190-116	1	/P	42-inch Deck Mulch Kit Attachment
	OEM-190-180	1	S	Twin Bagger Grass Collector Attachment
	OEM-190-183	1		Deck Wheel Kit Attachment
	19A-218-000	1		Rear Weight Kit w/ 1 Suitcase Weight Attachment
	OEM-19A-128	1		Suitcase Weight Attachment
	OEM-190-607	1		Deluxe Tractor Sunshade Attachment
	OEM-190-679	1	/P	Bumper Attachment
	OEM-190-658	1	S	Tire Chains, 20 x 8 Tires Attachment
	OEM-190-751	1		Snow Cab Attachment
	OEM-190-833	1	/P	46-inch Front Dozer Blade Attachment
	490-900-0025	1		Deck Wash Kit Attachment

13AX61KG011 Range Rider (2008)
Steering & Front Axle Assembly



Ref #	Part Number	Qty	S/P/F	Description
1	710-04095	1		Hex Screw, 3/8-16, 1.00, Gr5
2	710-0514	1	/P	Hex Screw, 3/8-16, 1.00, Gr5
3	710-0643	1	/P	Hex Screw, 5/16-18, 1.00, Gr5
4	711-1408	1		Link, Drag, RH
5	711-1409A	1	/P	Link, Drag, LH
6	712-0214	1	S	Nut, Hex Lock, 3/8-24
7	712-04065	1	/P	Nut, Flange Lock, 3/8-16, Grf
8	712-0459	1	/P	Nut, Flange Lock, 7/16-20
9	712-3004A	1	/P	Nut, Flange Lock, 5/16-18, Gr5
10	717-1550E	1	S	Gear, Steering, 11/90 Ratio
11	717-1554	1		Gear, Pinion, Steering
12	723-0448A	1	S	Ball Joint, 7/16-20, Lock
13	736-3004	1	S	Washer, Flat, .406 x .875 x .105
14	736-3084	1	/P	Washer, Flat, .51 x 1.12 x .06
15	741-0660A	1	/P	Flange Bearing
16	738-04154	1		Spacer, Shoulder, .38 x 1.00 x .31
17	738-04263	1		Shaft, Steering, .625 OD x 24.25
18	741-0475	1	S	Plastic Bushing .380 ID
19	741-04237	1		Hex Flange Bearing
20	683-0128B	1	/P	Pivot Bar Axle Assembly
21	714-0162	1	/P	Cotter Pin, 5/32 x 1.25 (Cast Axle)
22	726-0341	1	/P	Push Cap, 3/4
23	731-1291A	1	S	Pivot Bar End Cap w/ fitting
24	736-04228A	1		Flat Washer, .781 x 1.59
25	631-04028	1		Steering Wheel
25	631-04008	1	S	Steering Wheel
26	731-04040	1		Steering Wheel Cap, Sprig Logo
26	731-04681	1		Steering Wheel Cap, TB Logo
27	738-04128	1		Shoulder Bolt, .5 x 2.38, 3/8-16
28	712-04065	1	/P	Flange Lock Nut, 3/8-16
29	731-05674	1		Hub Cap, Standard
30	638-04006	1	S	LH Axle Assembly, .750 (42" Deck)
30	638-04003A	1	S	LH Axle Assembly, .750 (50" Deck)
31	638-04005	1	S	RH Axle Assembly, .750 (42" Deck)
31	638-04004A	1	S	RH Axle Assembly, .750 (50" Deck)
32	719-04177A	1		Pivot Bar End, Cast
32	737-3000	1	S	Fitting, Lube 3/16 Drive Type Not Shown
32	737-0475	1	/P	Fitting, Lube M6 Threaded Type Not Shown
33	748-04068	1		Spacer, Shoulder, .71 x .125 x .56
34	634-04086	1		Wheel Assembly Complete, 15x6
34	734-1731	1		Tire Only 15 x 6 x 6 Not shown
34	634-04081	1	S	Rim Only w/ Valve Stem Not shown