

13AX60TG766 Super Bronco (2006)
Deck Assembly

Page 2 of 22

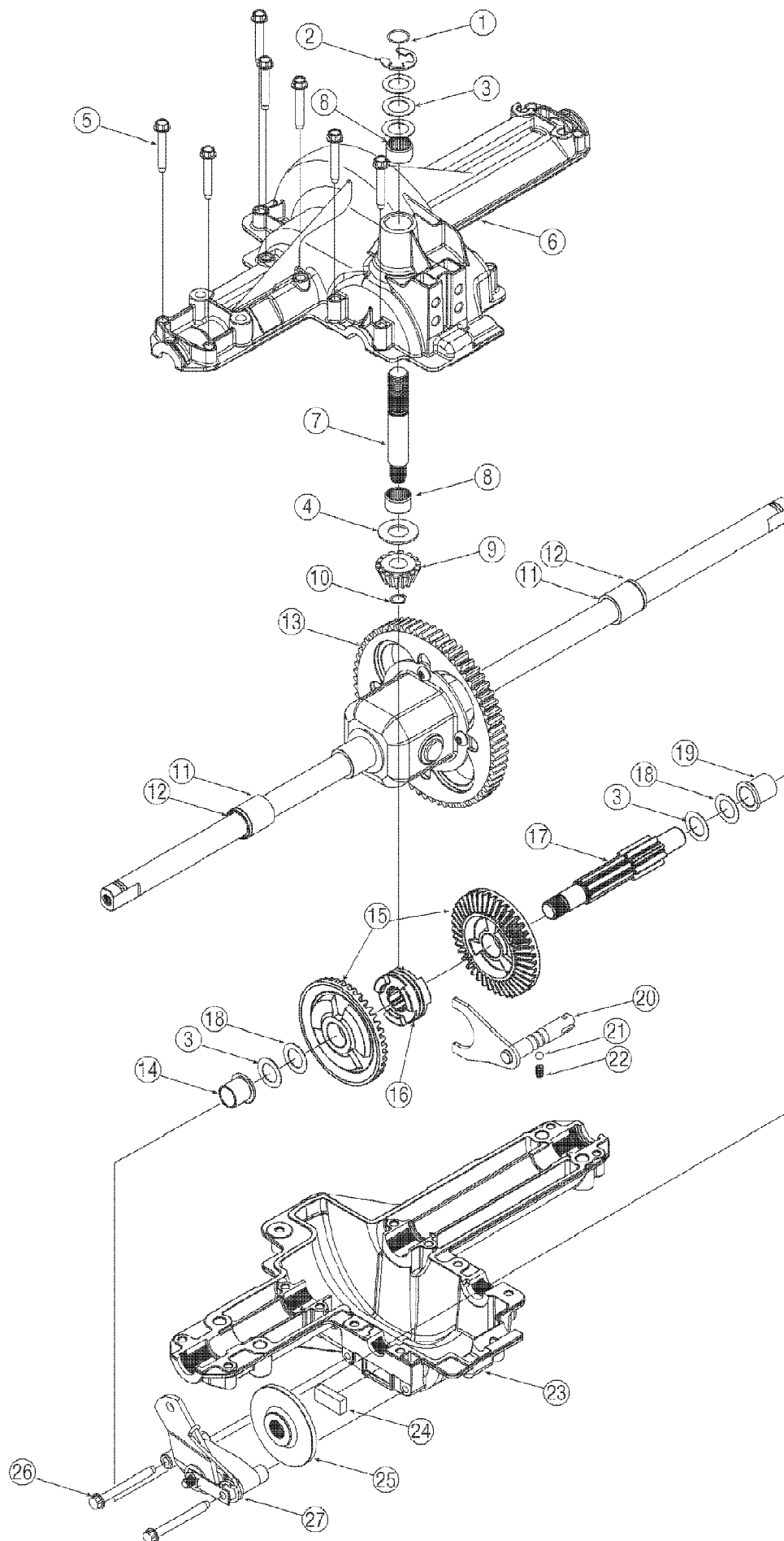
Ref #	Part Number	Qty	S/P/F	Description
1	918-0624	1	S	Spindle Assembly, Pulley, 6.23" Dia
1	712-0417A	1	/P	Flange Nut:5/8-18 Not shown
1	738-1010A	1	/P	Spindle Shaft:5.75 LG. Not shown
1	941-0919	1	/P	Ball Bearing:20x47x14:62 Not shown
1	748-0433	1		Spacer:.820 x 1.150 x .730 Not shown
1	750-1000	1		Spacer:.80 x 1.10 x 1.322 Not shown
1	956-1227	1	/P	Deck Pulley:6.3 Dia Not shown
2	683-04138A	1	S	Brake Assembly, Deck
3	683-04261	1	S	Deck Shell, 42"
4	683-04167	1	S	Brake Assembly, Deck
5	683-0254B	1	/P	Brkt. Ass'y, Deck, Hanger LH
6	710-3015	1	/P	Screw, 1/4-20, .75, Gr5
7	710-0654A	1	/P	Screw, 3/8-16, 1.00
8	710-0528	1	/P	Screw, 5/16-18, 1.250
9	710-0726	1	/P	Screw, 5/16-12, 0.750
10	710-0510	1	/P	Screw, 7/16-20, 3.00, Gr5
11	710-0778	1	/P	Screw, 1/4-20, 1.500
12	710-1260A	1	/P	Screw, 5/16-18, .75
13	710-0134†	1		Carriage Screw, , 1/4-20 x .62
14	783-05045	1		Pivot Support Bracket
15	712-3006	1	/P	Nut, Hex, 1/4-20, Gr5
16	712-0417A	1	/P	Nut, Flange, 5/8-18
17	738-0373	1	S	Screw, Shldr, .498 x 1.53, 3/8-16
18	712-04063	1	/P	Nut, Flange Lock, 5/16-18,
19	712-04065	1	/P	Nut, Flange Lock, 3/8-16, GrF
20	712-0641	1	S	Nut, Hex, M16-1.5
21	712-3083	1	/P	Nut, Hex Lock, 1/2-13, Gr8
22	712-0206	1	S	Nut, Hex, 1/2-13, Gr5
23	714-0104	1	S	Pin, Cot, .072 Dia. x 1.13 Lg
24	717-04074	1	S	Gear, Deck Adjustment
25	726-0233	1	/P	Nut, Push, .25 ID x .50 OD
26	732-0459B	1	S	Spring, Exten. , .94 Dia. x 6.74
27	732-04287	1		Spring, Exten. , .50 Dia. X 6.375
28	734-0973	1	/P	Wheel, Deck 5.0 x 1.38
29	736-0119	1	S	Washer, Lock, 5/16
30	736-0270	1	/P	Washer, Bell, .265 x.75 x .062
31	783-04740	1		Deck Engagement Cable
32	736-0300	1	S	Washer, Flat, .406 x .875 x .059
33	736-0760	1	S	Washer, Lock
34	737-04003C	1	S	Deck Water Nozzle
35	738-04166	1		Spacer, Shoulder, .5000 x .1475
36	721-04041	1	S	Water Nozzle Adapter
37	738-04162A	1	/P	Spacer, Shoulder, .8840 x .190
38	742-0616A	1	S	Blade, 21.23", Star 3-in-1
39	731-2363	1	/P	Mulch Plug If equipped
40	747-04501	1		Control Rod, Brake
41	747-04269A	1	/P	Deck Rod, Front Adjustable
42	748-04069	1		Pivot Cup, Deck Lift
43	750-0566A	1	/P	Spacer, .260 x .372 x 1.030
44	754-04045	1	S	Belt, V-Type
45	756-04129	1	S	Idler Pulley, 4.25" Dia.
46	712-3087	1	/P	Wing Nut, 1/4-20 If equipped
47	783-04327A	1		Cover, Belt, 6.00 Dia.

13AX60TG766 Super Bronco (2006)
Deck Assembly

Page 3 of 22

Ref #	Part Number	Qty	S/P/F	Description
48	750-04637	1	S	Spacr, .455 ID x .680 OD
49	710-0347	1	/P	Screw, 3/8-16 x 1.75
50	731-1032B	1	S	Chute Assembly, Discharge
51	736-0407	1		Bell Washer, .45 x 1.00 x .062
52	735-0271	1	S	Bumper
53	712-0431	1	S	Flange Lock Nut, 3/8-16
54	714-0470	1	S	Cotter Pin
55	732-0306A	1	S	Comp. Spring, .531OD x 1.75 Lg
56	747-1116	1	/P	Deck Release Rod
57	683-04252	1		Deck Idler Assembly
58	710-0216	1	/P	Screw, 3/8-16 x .75
59	710-3005	1	/P	Screw, 3/8-16 x 1.25
60	712-0459	1	/P	Flange Lock Nut, 7/16-20
61	712-3061	1	S	Hex Lock Nut, 3/8-24
62	732-0470A	1	S	Extension Spring, .53 OD

13AX60TG766 Super Bronco (2006)
Differential Assembly

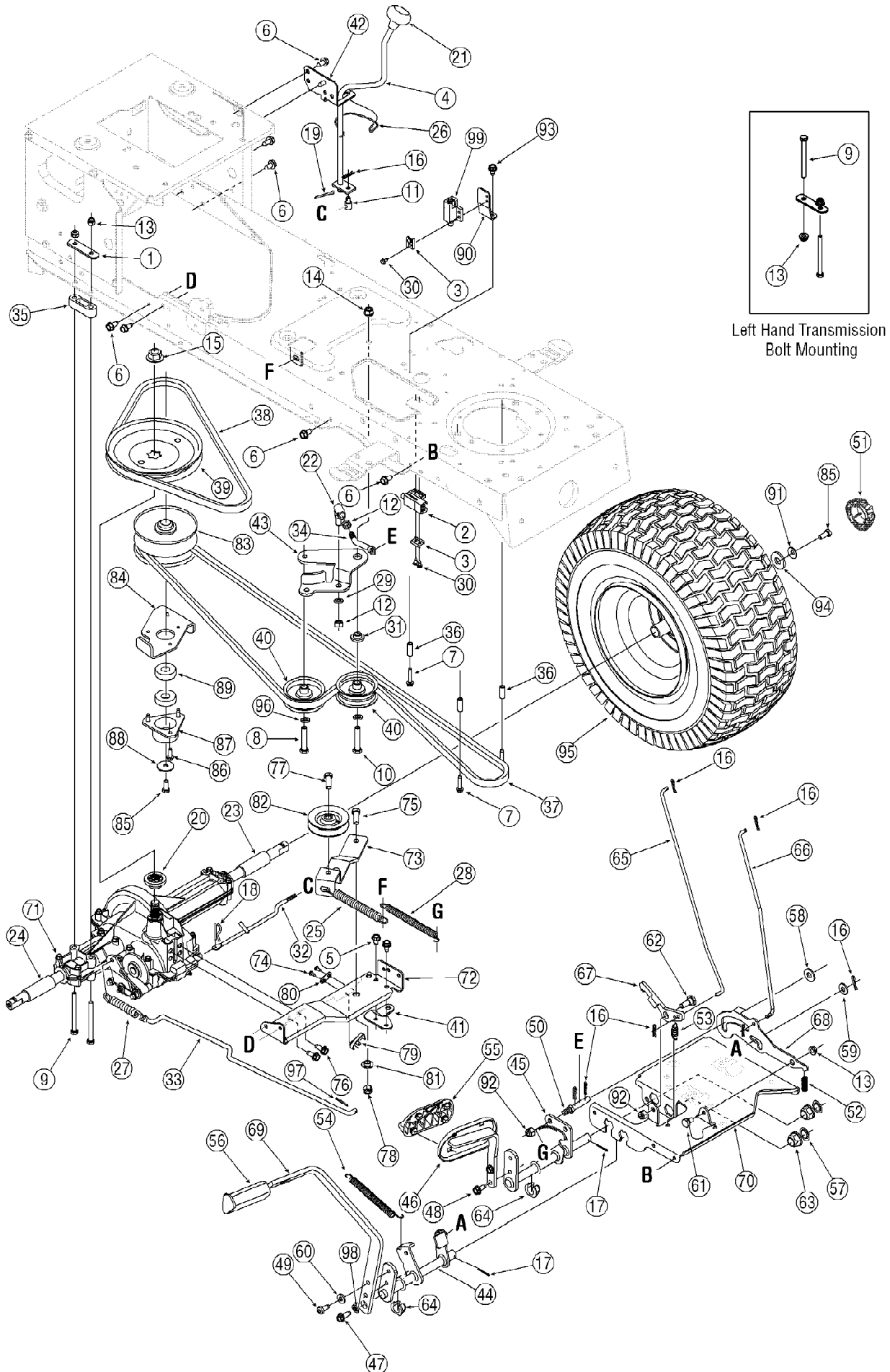


13AX60TG766 Super Bronco (2006)
Differential Assembly

Page 5 of 22

Ref #	Part Number	Qty	S/P/F	Description
1	732-0614	1		Ring, Wire
2	716-0231	1	S	Ring, E Type,.750
3	736-0336	1	S	Flat Washer, 5/8 x 1.0 x .030 Use applicable flat washer (ref. #'s 3 or 18) in this application allowing .0150/.0020 in. end-play
	736-0337	1	S	Flat Washer, 5/8 x 1.0 x .040 Use applicable flat washer (ref. #'s 3 or 18) in this application allowing .0150/.0020 in. end-play
	736-0349	1	S	Flat Washer, 5/8 x 1.0 x .020 Use applicable flat washer (ref. #'s 3 or 18) in this application allowing .0150/.0020 in. end-play
4	736-0335	1	S	Washer, Thrust.635 x 1.26 x .06
5	710-1325	1	/P	Self-tapping Screw, 1/4-20 x 1.625
6	719-04017	1	S	Upper Housing
7	711-1109	1		Input Shaft
8	741-0335	1	S	Needle Bearing,.625 x.813 x. .495
9	717-1464	1		14-tooth Bevel Pinion
10	716-0108	1	S	Retaining Ring,.437
11	741-0340	1	S	Sleeve Bearing,.75 x 1.0 x 1.0
12	721-0338	1	S	Seal,.75 x 1.0 x.125
13	618-04041	1	S	Differential Assembly
14	741-0336	1	S	Flange Bearing, 5/8 x 3/4
15	717-04056	1	S	42-tooth Bevel Gear
16	718-04045	1	S	Clutch Collar
17	711-04134	1	S	Drive Shaft
18	736-0495	1	S	Thrust Washer, 1.0 x.632 x.0 Use applicable flat washer (ref. #'s 3 or 18) in this application allowing .0150/.0020 in. end-play
	736-0494	1		Flat Washer,.632 x 1.00 x .035 Use applicable flat washer (ref. #'s 3 or 18) in this application allowing .0150/.0020 in. end-play
19	741-0337	1	S	Flange Bearing, 5/8 x 3/4 x 15/16
20	611-0011	1	S	Detent Shaft Assembly
21	741-0862	1	/P	Detent Ball
22	732-0863	1	S	Compression Spring
23	719-04018	1	S	Lower Housing
24	717-0678	1	S	Brake Puck
25	761-0202	1		Brake Disc
26	710-1206	1	/P	Self-tapping Screw, 1/4-20 x 2.375
27	661-0001	1	S	Brake Assembly
	737-0148	1	S	Grease (19 oz.)

13AX60TG766 Super Bronco (2006)
Drive



13AX60TG766 Super Bronco (2006)
Drive

Page 7 of 22

Ref #	Part Number	Qty	S/P/F	Description
1	17840	1	S	Mounting Bracket, Transaxle
2	725-04039	1	S	Switch, Interlock
3	17962	1		Plate, Switch
4	647-04020	1		Lever Assembly, Shift
5	710-0607	1	/P	Screw, 5/16-18, 0.500
6	710-0726	1	/P	Screw, 5/16-12, 0.750
7	710-0809	1		Screw, 1/4-20, 1.250
8	710-1007	1	/P	Screw, Sems, 3/8-16, 1.500
9	710-1266	1	/P	Screw, 5/16-18, 3.50, Gr5
10	710-3144	1	/P	Screw, 3/8-16, 2.00, Gr5
11	711-0736	1	/P	Adjustment Ferrule 1/4-20 x 1
12	712-0241	1	/P	Nut, Hex, 3/8-24, Gr5
13	712-04063	1	/P	Nut, Flange Lock, 5/16-18, GrF
14	712-0431	1	S	Nut, Flange Lock, 3/8-16, GrF
15	712-0700	1	/P	Nut, Flange, 9/16-18, Gr2
16	714-0104	1	S	Pin, Cotter, .072 Dia. x 1.13
17	714-0111	1	S	Pin, Cotter, 3/32, 1.0
18	714-0209	1	S	Cotter Pin, Internal, .125 Dia.
19	714-0470	1	S	Pin, Cotter, 1/8 x 1.25
20	718-0758A	1	S	Pulley Hub, 5/8 Spline
21	720-04028	1		Knob, Shift
22	723-3018	1	S	Ball Joint
23	731-04602	1		Sleeve, .758 x .821 x 3.3125
24	731-04604	1		Sleeve, .758 x .821 x 2.4375
25	732-0384	1	S	Spring, Extension, .62 Dia x 6.12
26	732-0525	1		Spring Clip, Shifter
27	732-0716C	1	S	Spring, Extension, .59 OD x 4.00
28	732-0963	1		Spring, Extension, .50 Dia x 6.37
29	736-0169	1	S	Washer, Lock, 3/8
30	710-0224	1	S	Screw, #10-16, .50
31	738-0372B	1	/P	Spacer, Shoulder, 1.00 x .38 x .38
32	747-04146A	1	S	Rod, Shift
33	747-04164	1		Rod, Brake
34	747-1127	1		Idler Rod, Adjustable, 3/8
35	748-0334	1	S	Spacer, .68
36	750-0566A	1	/P	Spacer, .260 x .372 x 1.030
37	754-0467	1	S	Belt, V-Type
38	754-0468	1	S	Belt, V-Type
39	756-04002	1	S	Pulley, V-Type, 7.25 Dia.
40	756-04224	1	/P	Idler Pulley, Flat 2.75 OD
41	783-04283	1		Bracket, Shift
42	783-04360	1		Bracket, Shift, F-N-R
43	783-04442	1		Idler Bracket, Center Double
44	647-0031B	1	S	Control Assembly, Brake
45	647-0032A	1	S	Control Assembly, Speed
46	683-0266	1		Pedal Assembly
47	710-0650	1	/P	Screw, 5/16-18, 0.875
48	710-1260A	1	/P	Screw, 5/16-18, 0.750
49	710-1611B	1	/P	Screw, 5/16-18, 0.750
50	711-04159B	1		Pin, 3/8-16 x 2.68
51	731-2290A	1	/P	Hub Cap
52	732-0335	1		Spring, Compression, .405 x 1.17
53	732-0955	1		Spring, Extension, .50 OD x 1.41

13AX60TG766 Super Bronco (2006)
Drive

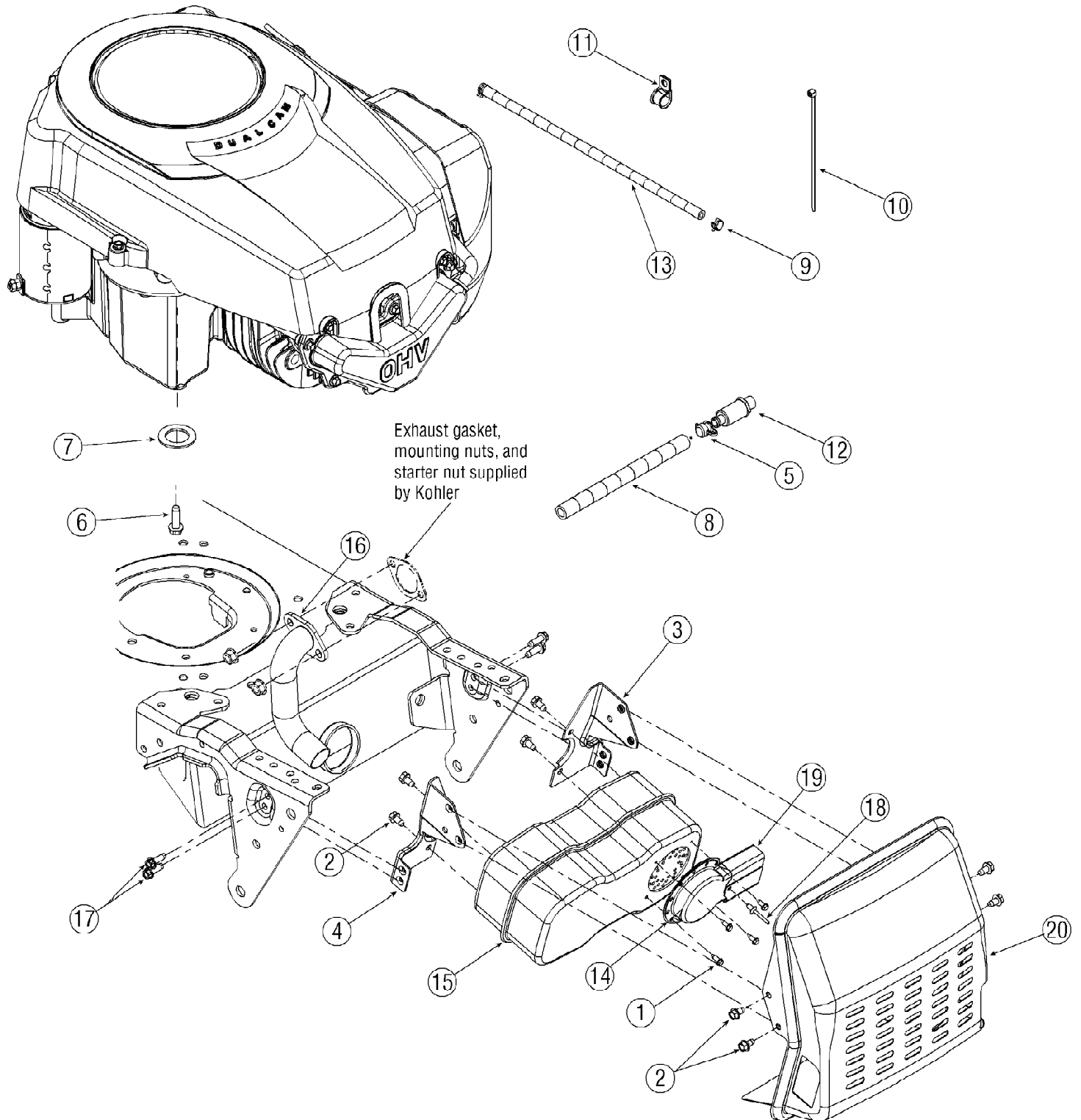
Page 8 of 22

Ref #	Part Number	Qty	S/P/F	Description
54	732-0963	1		Spring, Extension,.50 OD x 6.37
55	735-0662	1		Pad
56	735-3049	1	S	Pad, Brake
57	736-0187	1	/P	Washer, Flat,.64 x 1.24 x.06, Ht
58	736-0262	1	/P	Washer, Flat,.385 x.870 x.092
59	736-0300	1	S	Washer, Flat,.406 x.875 x.059
60	736-3008	1	S	Washer, Flat,.344 x.750 x.120
61	738-0155	1	S	Screw, Shoulder.437 Dia x.162
62	738-0380	1	S	Screw, Shoulder,.50 x.27 Lg
63	741-0225	1	S	Bearing, Hex Flange
64	741-3065B	1	/P	Split Bearing, Hex Flange
65	747-04093	1		Rod, Brake Lock
66	747-04096	1		Rod, Cruise Control
67	748-04039B	1	/P	Latch, Cruise Control
68	783-0732A	1	/P	Bracket, Lockout
69	783-0773A	1		Ped, Brake
70	783-04612	1	S	Bracket, Steering Support
71	618-04034	1	S	Transmission, Single Speed
72	683-04055A	1	S	Bracket Assembly, Torque
73	683-04130	1	S	Bracket, Idler
74	710-0227	1	/P	Screw, #8-18 x.50
75	710-0514	1	/P	Screw, 3/8-16, 1.00
76	710-0604A	1	/P	Screw, 5/16-18,.625
77	710-1315	1	/P	Screw, 3/8-16, 1.250
78	712-0130	1	/P	Nut, Lock, 3/8-16, Nylon
79	725-1644	1		Switch Spring, Short
80	726-0320	1	S	Plate, Insulator
81	750-04294	1		Spacer, Shoulder
82	756-04209	1	/P	Pulley, V-Type, 3.06
83	656-04015	1	S	Pulley Ass'y, Variable Speed
84	683-04129	1	S	Bracket, Pulley
85	710-0627	1	/P	Screw, 5/16-24,.750
86	710-1652	1	/P	Screw, 1/4-20,.625
87	718-04012	1	/P	Cup, Bearing
88	736-0362	1	/P	Washer, Flat
89	741-0600	1	S	Ball Bearing
90	783-04722	1		Switch Bracket, Parking Brake
91	736-0242	1	/P	Washer, Bell,.340 x.872 x.060
92	712-04065	1	/P	Nut, Flange Lock, 3/8-16, GrF
93	710-0599	1	/P	Screw, 1/4-20 x.500
94	736-0430	1	/P	Flat Washer,.350 x 1.59 x.062
95	634-0104	1		Wheel Assy Complete, 20 x 8 x 8 Square Shoulder
95	634-0177	1	/P	Wheel Assy Complete, 20 x 10 x 8 Square Shoulder
95	734-1730	1		Tire Only, 20 x 8 x 8, Square Shoulder
95	734-1873	1		Tire Only, 20 x 10 x 8, Square Shoulder
95	634-0070	1	/P	Rim Only
95	734-0255	1	S	Air Valve (Not Shown)
96	736-3010	1		Flat Washer, .407 x .812 x .135
97	714-0507	1	S	Pin, Cotter, 3/32 x .750
98	736-0119	1	S	Lock Washer, 5/16

13AX60TG766 Super Bronco (2006)
Drive

Page 9 of 22

Ref #	Part Number	Qty	S/P/F	Description
99	725-3167	1		Switch

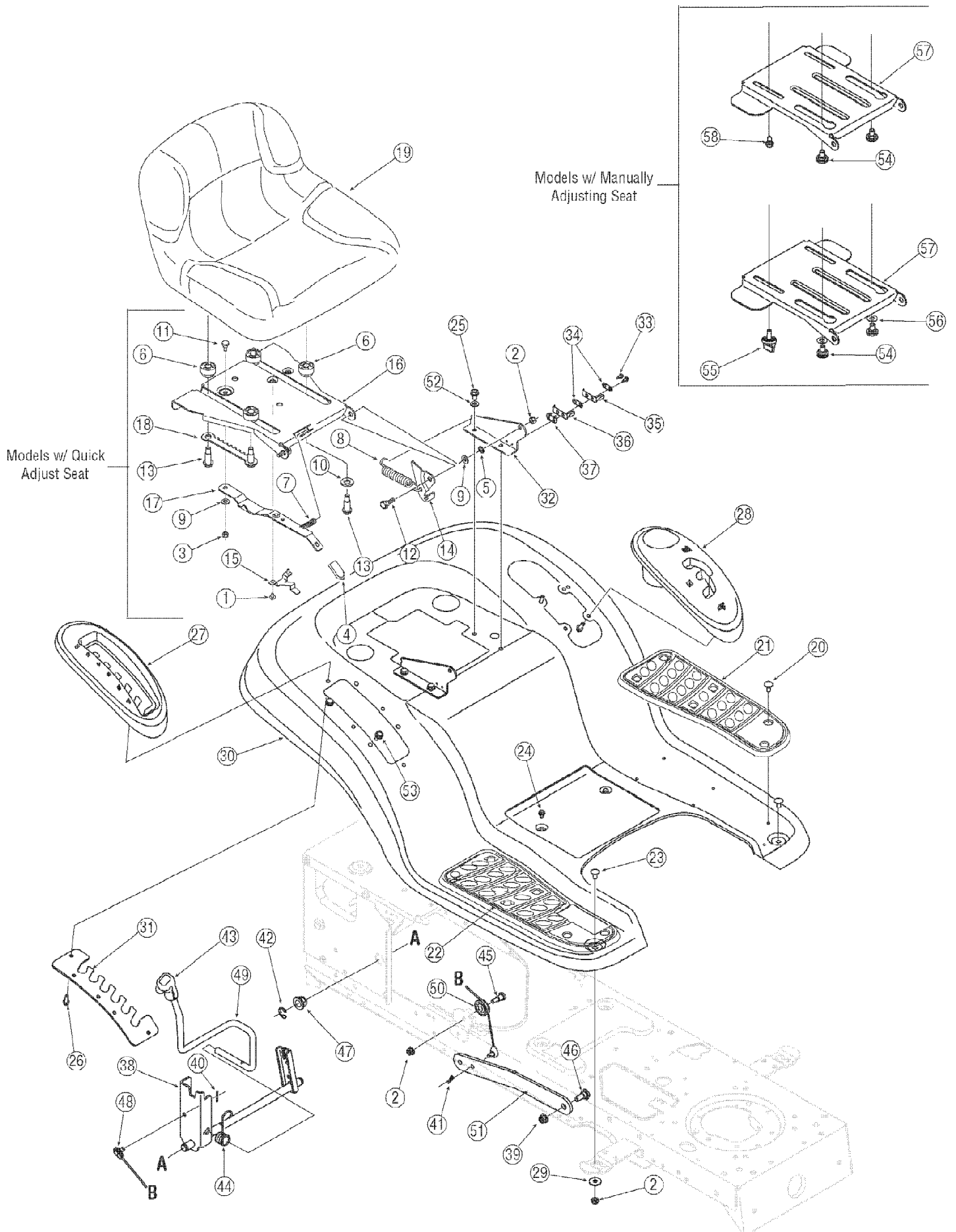


13AX60TG766 Super Bronco (2006)
Engine Accessories

Page 11 of 22

Ref #	Part Number	Qty	S/P/F	Description
1	710-0227	1	/P	AB Screw #8-18 x 0.5
2	710-0599	1	/P	TT Screw 1/4-20 x 0.5
3	783-04573	1		LH Muffler Bracket
4	783-04574	1		RH Muffler Bracket
5	751-3142	1		Oil Drain Cap
6	710-0654A	1	/P	TT Screw 3/8-16 x 1.00
7	736-0277	1		Flat Washer, 1.031 x 1.620
8	751-3141	1	S	Oil Drain Extension Hose
9	726-0205	1	/P	Hose Clamp
10	725-0157	1	/P	Cable Tie
11	726-0272	1	/P	Clamp
12	751-3140	1	S	Oil Drain Valve
13	751-10349	1		Fuel Line Hose
14	751-0564B	1	/P	Muffler Deflector
15	751-10162	1		Muffler
16	751-10017	1		Exhaust Pipe
17	710-0642	1	/P	Screw, 1/4-20, x .750
18	728-04000	1		Pop Rivet
19	751-10353	1		Long Muffler Deflector
20	683-04256	1	S	Muffler Shield

13AX60TG766 Super Bronco (2006)
Frame and Seat Assembly



13AX60TG766 Super Bronco (2006)
Frame and Seat Assembly

Page 13 of 22

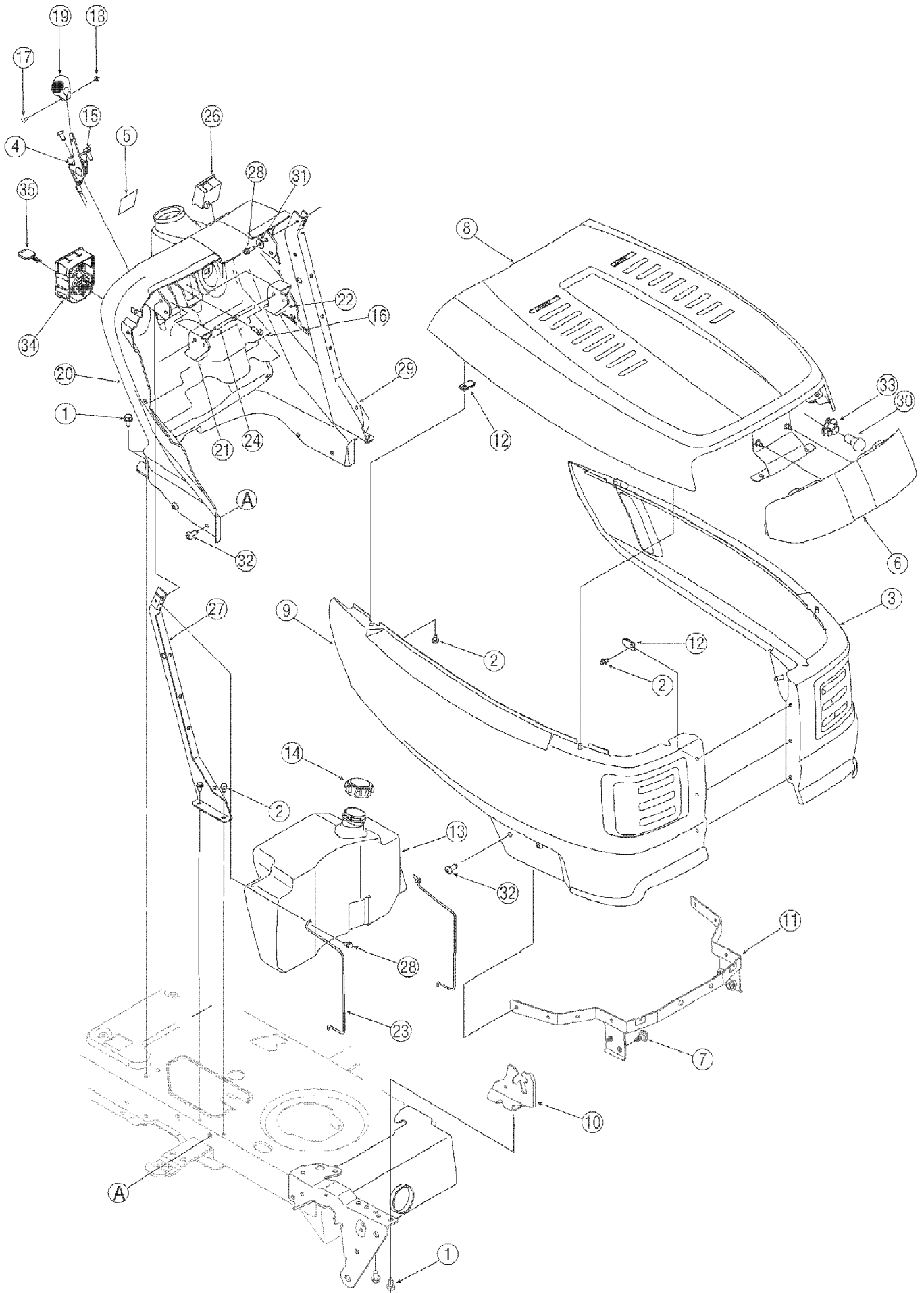
Ref #	Part Number	Qty	S/P/F	Description
1	710-1268	1	/P	Screw, #10-16 x.375 (if equipped)
2	712-04063	1	/P	Nut, Flange Lock, 5/16-18, GrF
3	712-3027	1	S	Nut, Flange Lock, 1/4-20 (if equipped)
4	720-0309A	1	/P	Seat Adjuster Grip (if equipped)
5	726-0201	1		Nut, Speed,.3125 ID (if equipped)
6	731-04074	1		Spacer (if equipped)
7	732-0499	1		Compression Spring,.41 x 1.5 (if equipped)
8	732-1184	1	/P	Spring, Extension,.84 Dia. x 4.6
9	736-0275	1	S	Wash, Flat,.344 x.688 x.065 (if equipped)
10	736-3019	1		Wash, Flat,.531x 1.062 x.134 (if equipped)
11	738-0137A	1	S	Screw, Shld, .340 x.285, 1/4-20 (if equipped)
12	738-0296	1	S	Screw, Shoulder,.437 x.268
13	738-0966	1	S	Screw, Should,.50 x.925, 3/8-16 (if equipped)
14	783-0209D	1	/P	Seat Bracket, Lift
15	783-0611	1		Seat Stop
16	783-0738C	1	S	Seat Pivot Bracket (if equipped)
17	783-0739A	1	S	Seat Adjustment Lever (if equipped)
18	783-0753	1		Seat Adjustment Selector (if equipped)
19	757-04001	1	S	Low Back Seat
20	726-3046	1	/P	Ratchet Clip
21	735-0657	1		LH Foot Pad, Rubber
22	735-0656	1		RH Foot Pad,Rubber
23	710-0451	1	/P	Bolt, Carriage, 5/16-18,.75, Gr1
24	710-0599	1	/P	Screw, 1/4-20, 0.500
25	710-0604A	1	/P	Screw, 5/16-18, 0.625
26	710-0895	1		Screw, 1/4-15, 0.750
27	731-1990	1		Cover, Lift Lever
28	731-2104C	1	S	Cover, w/ Cup Holder
29	736-3078	1	/P	Washer, Flat,.344 x 1.0 x.063
30	783-04333A	1		Fender
31	783-0677B	1		Adjust. Brkt., Lift
32	783-1489B	1	/P	Mounting Bracket, Seat
33	710-0227	1	/P	Screw, #8-18 x.50
34	726-0279	1		Plate, Insulator
35	725-1303	1	S	Spring Switch, Outer
36	725-1439	1		Spring Switch, Inner
37	726-0278	1		Plate, Insulator Boss
38	753-06260	1	/P	Shaft Assembly, Lift Replaces 683-04079
39	712-04065	1	/P	Nut, Flange Lock, 3/8-16, GrF
40	714-0104	1	S	Pin, Cotter,.072 Dia. x 1.0
41	714-0111	1	S	Pin, Cotter, 3/32, 1.0
42	716-0106A	1		Ring, E Type,.625 Dia.
43	720-0311	1		Grip, Handle, 1/2
44	732-0874	1	/P	Spring, Torsion
45	738-0138A	1	/P	Screw, 5/16-18 x.620 Gr2
46	738-04130	1		Scr.,Shldr, .625 x.165
47	741-0225	1	S	Bearing, Hex Flange
48	746-0968	1		Cable, Lift, 16.16
49	747-04155	1		Handle, Lift
50	756-1154	1		Pulley, Roller
51	783-04494	1		Arm, Lift - RH
51	783-04711	1		Arm, Lift - LH
52	736-0607	1	/P	Lock Washer, 5/16

13AX60TG766 Super Bronco (2006)
Frame and Seat Assembly

Page 14 of 22

Ref #	Part Number	Qty	S/P/F	Description
53	710-0726	1	/P	Screw, 5/16-12
54	738-04012A	1	/P	Shoulder Screw (if equipped)
55	720-04061	1		Knob, 3/8-16 (if equipped)
56	736-0300	1	S	Flat Washer, .406 x .875 x .059 (if equipped)
57	783-04081A	1		Seat Pivot Bracket, Manual Adj (if equipped)
58	710-0870	1	/P	Hex Head Washer Screw, 3/8-16 (if equipped)

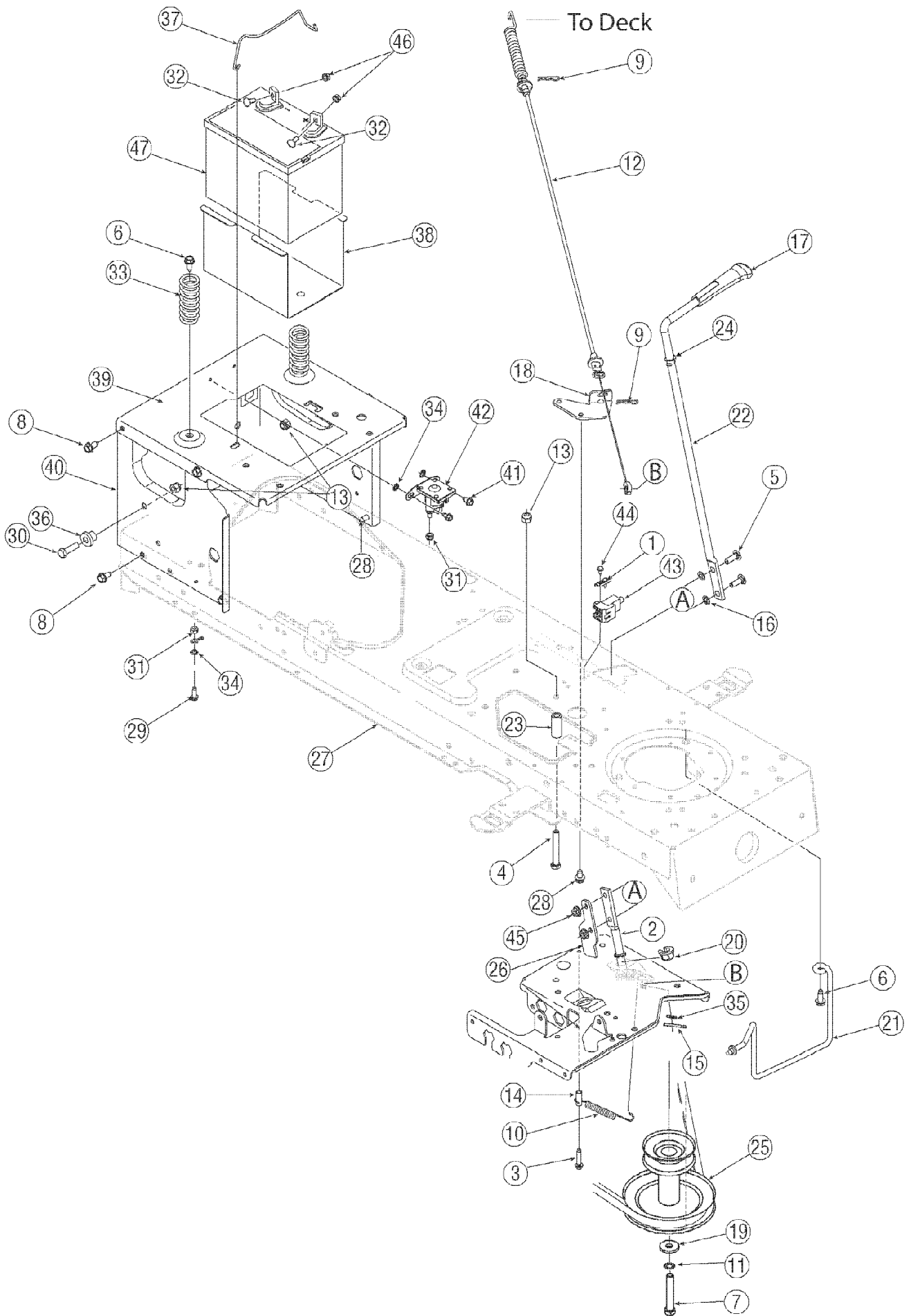
13AX60TG766 Super Bronco (2006)
Hood and Side Panel



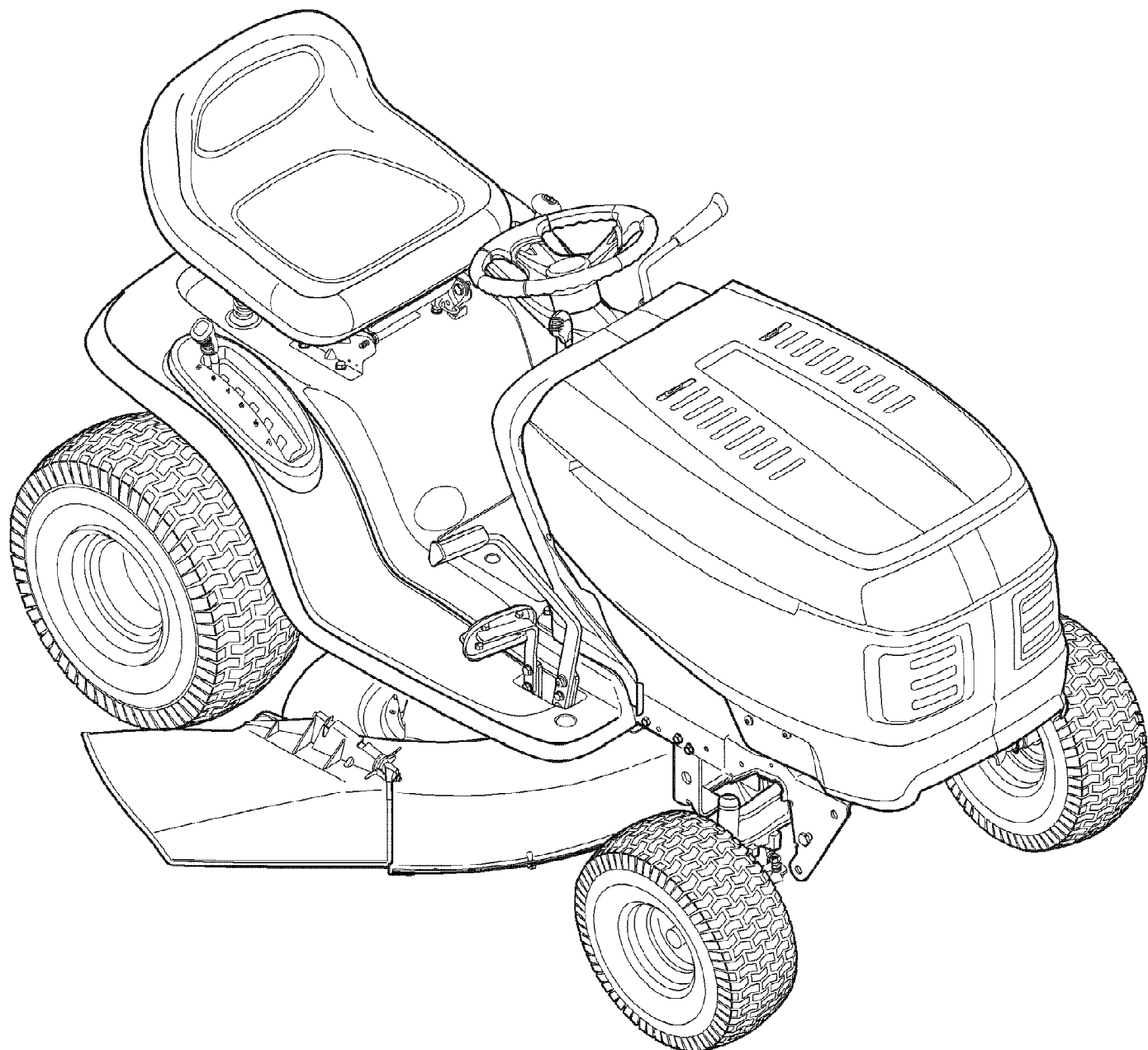
13AX60TG766 Super Bronco (2006)
Hood and Side Panel

Page 16 of 22

Ref #	Part Number	Qty	S/P/F	Description
1	710-0726	1	/P	Screw, 5/16-12 x.750
2	710-0599	1	/P	Self-tapping Screw, 1/4-20 x.5
3	783-04829	1		Side Panel - LH
4	746-1084	1	S	Throttle Control/Cable
5	731-1999	1		Choke Plug
6	731-05357	1	S	Headlight Lens
7	738-04091	1	S	Shoulder Screw,.43 x.29
8	783-04827	1		Hood, T Style
9	783-04828	1		Side Panel - RH
10	783-04840	1		Pivot Bracket - RH
10	783-04841	1		Pivot Bracket - LH
11	783-04606A	1		Grill Pivot Bracket
12	712-0185	1		Speed Nut
13	751-10283	1		Fuel Tank, Three Gallon
14	751-0603	1	S	Fuel Cap
15	710-1017	1	/P	Screw, 1/4-14 x.625
16	710-0895	1		Self-tapping Screw, 1/4-15 x.75
17	710-3217	1	/P	Truss Phillips Screw, #8-32 x .375
18	712-0142	1	/P	Hex Nut, #8-32
19	731-1857	1		Throttle Control Knob
20	731-05001A	1	S	Dash Panel
21	731-04729	1		Cruise Control Button
22	731-04728	1		Parking Brake Button
23	747-04161	1		Tank Support Rod
24	747-1196	1		Brake/Cruise Pivot Rod
25	629-04083	1	S	Headlight Wire Harness
26	725-04156	1	S	Systems Ind. Monitor w/Ammeter
27	783-04908	1	S	RH Dash Support Plate
28	710-0642	1	/P	Self-tapping Screw, 1/4-20 x .75
29	783-04909	1	S	LH Dash Support Plate
30	725-0963	1	S	Lamp
31	736-0270	1	/P	Bell Washer,.265 x.75 x.062
32	710-1611B	1	/P	Screw, 5/16-18 x.75
33	725-1649	1	S	Headlight Socket
34	725-04227A	1	S	Ignition Switch
35	725-1745	1	S	Ignition Key w/ plastic cover
35	725-1744	1	S	Ignition Key w/o plastic cover
	725-04334	1		Wire Harness (not shown)



Ref #	Part Number	Qty	S/P/F	Description
1	17962	1		Plate, Switch
2	647-04036	1	S	Lever Assembly, Engagement
3	710-0778	1	/P	Screw, 1/4-20 x 1.500
4	710-0859	1	/P	Screw, 3/8-16, 2.50
5	710-0276	1	/P	Screw, Carriage, 5/16-18, 1.00
6	710-1260A	1	/P	Screw, 5/16-18 x.750
7	710-3157A	1	/P	Screw, 7/16-20, 3.25, Gr5
8	710-0726	1	/P	Screw, 5/16-12, 0.750
9	714-0145	1	S	Click Pin
10	732-04248	1		Extension Spring,.38OD x 3.9LG
11	736-0171	1	S	Lock Washer, 7/16
12	746-04092	1	S	Deck Engagement Cable
13	712-04065	1	/P	Nut, Flange Lock, 3/8-16,
14	750-0566A	1	/P	Spacer,.260 x.372 x 1.030LG
15	714-0470	1	S	Pin, Cotter, 1/8 x 1.25
16	726-0201	1		Nut, Speed,.3125 ID
17	731-2111A	1	S	Knob, PTO
18	783-04590A	1		Cable Bracket
19	736-0322	1	/P	Washer, Flat,.450 x1.250 x.164
20	741-0708	1		Bearing, Flange, .500 ID
21	747-04307	1	S	Keeper Rod, Belt
22	747-04470	1		Engagement Handle, Deck
23	748-0415B	1	/P	Spacer,.385 ID x.635 OD x 1.54
24	736-0108	1	S	Flat Washer, .510 x .750 x .033
25	756-04196	1	S	Pulley, Engine, 3.39 x 6.12
26	783-0744A	1		Stop Bracket, Engagement
27	683-04173	1	S	Frame Assembly, Lower
28	710-0607	1	/P	Screw, 5/16-18, 0.500
29	710-0642	1	/P	Screw, 1/4-20, 0.750
30	710-3005	1	/P	Screw, 3/8-16, 1.25, Gr5
31	712-04064	1	/P	Nut, Flange Lock, 1/4-20, GrF
32	710-0703	1	/P	Screw, Carriage, 1/4-20,.75
33	732-04035	1		Spring, Compr. , 1.28 OD
34	736-0222	1	S	Washer, Lock, 1/4, External
35	736-0275	1	S	Flat Washer, .344 x .688
36	738-04058	1		Spacer, Shoulder,.38 x 1.0
37	747-04121A	1		Hold Rod, Battery
38	783-0349	1		Battery Tray
39	783-04329A	1		Seat Bracket, Frame
40	783-04809	1	/P	Frame, Upper
41	710-0599	1	/P	Screw, 1/4-20, 0.50
42	725-1426A	1	S	Solenoid, 12V, 100 Amp
43	725-04039	1	S	Switch, Interlock
44	710-0224	1	S	Screw, #10-16,.50
45	712-3004A	1	/P	Nut, Flange, Lock Nut, 5/16
46	712-0271	1	/P	Nut, Sems, 1/4-20
47	725-1737A	1	S	Battery, 190 CCA

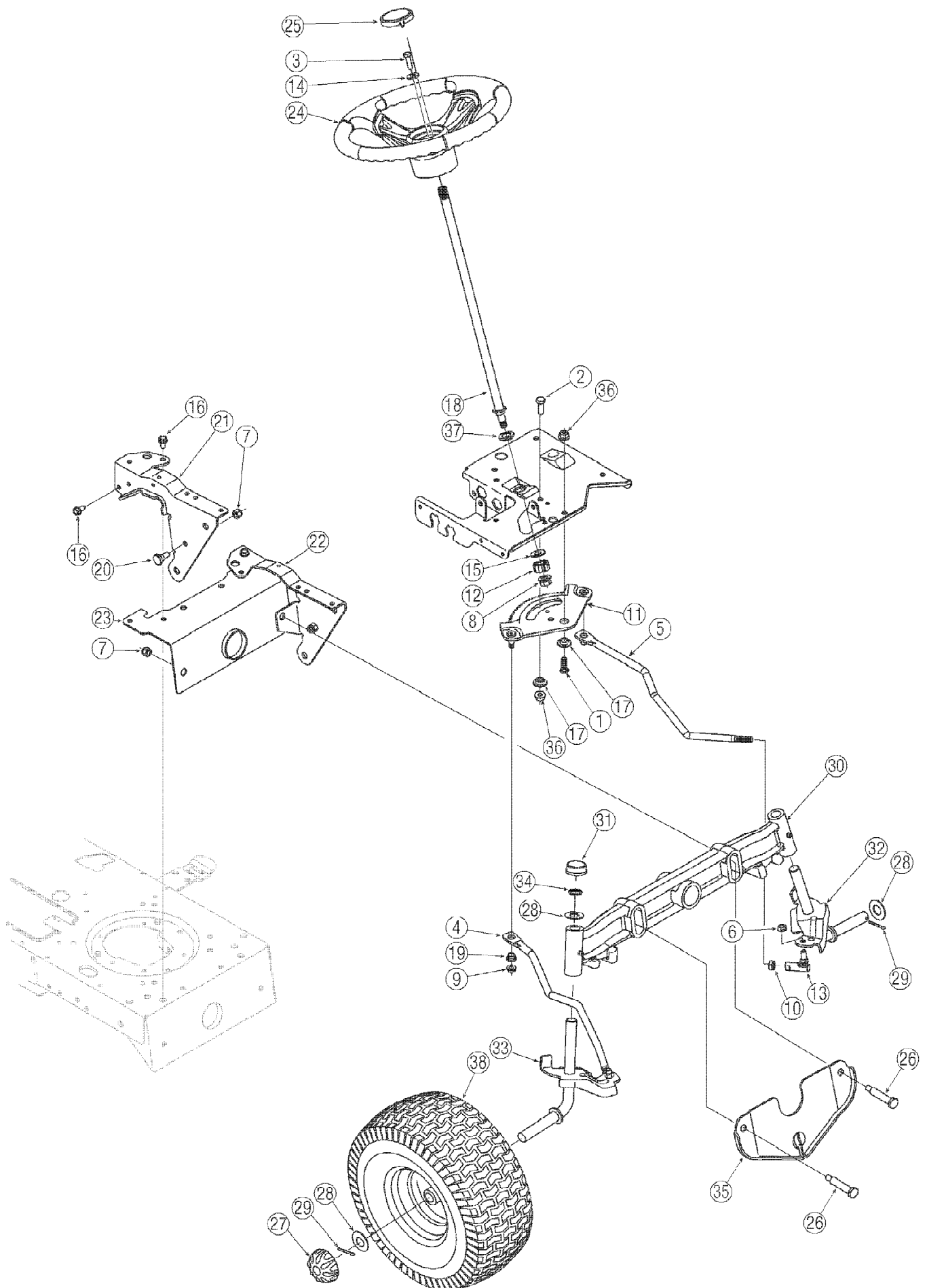


13AX60TG766 Super Bronco (2006)
Quick Reference

Page 20 of 22

Ref #	Part Number	Qty	S/P/F	Description
	759-3336	1	/P	Spark Plug
	KH-12-050-01-S	1	/P	Oil Filter
	N/A	1		Pre Filter
	KH-20-083-02-S	1		Air Filter
	KH-25-050-21-S	1	/P	Fuel Filter
	751-0603	1	S	Fuel Cap
	725-1426A	1	S	Solenoid
	618-0624	1	S	Deck Spindles
	742-0616A	1	S	Blades
	712-0417A	1	/P	Blade Nut
	734-0973	1	/P	Deck Wheels
	723-0448A	1	S	Ball Joints
	725-1745	1	S	Ignition Keys
	746-1084	1	S	Throttle Cable
	746-0968	1		Lift Cable
	746-04092	1	S	Deck Engagement Cable
	754-0468	1	S	Upper Drive Belt
	754-0467	1	S	Lower Drive Belt
	754-04045	1	S	Deck Spindle Belt
	N/A	1		PTO Belt
	725-3167	1		Saftey Switch - Brake
	725-04039	1	S	Saftey Switch - Deck
	731-1032B	1	S	Discharge Chute
	731-2363	1	/P	Mulch Plug
	725-1737A	1	S	Battery

13AX60TG766 Super Bronco (2006)
Steering Assembly



13AX60TG766 Super Bronco (2006)
Steering Assembly

Page 22 of 22

Ref #	Part Number	Qty	S/P/F	Description
1	710-04095	1		Hex Screw, 3/8-16, 1.00, Gr5
2	710-0514	1	/P	Hex Screw, 3/8-16, 1.00, Gr5
3	710-0643	1	/P	Hex Screw, 5/16-18, 1.00, Gr5
4	711-1408	1		Link, Drag, RH
5	711-1409A	1	/P	Link, Drag, LH
6	712-0214	1	S	Nut, Hex Lock, 3/8-24
7	712-04065	1	/P	Nut, Flange Lock, 3/8-16, Grf
8	712-0459	1	/P	Nut, Flange Lock, 7/16-20
9	712-3004A	1	/P	Nut, Flange Lock, 5/16-18, Gr5
10	712-0240	1	S	Nut, Jam, 7/16-20, Gr2
11	717-1550E	1	S	Gear, Steering, 11/90 Ratio
12	717-1554	1		Gear, Pinion, Steering
13	723-0448A	1	S	Ball Joint, 7/16-20, Lock
14	736-3004	1	S	Washer, Flat, .406 x .875 x .105
15	736-3084	1	/P	Washer, Flat, .51 x 1.12 x .06
16	710-1260A	1	/P	Screw, 5/16-18, 0.750
17	738-04154	1		Spacer, Shoulder, .38 x 1.00 x 31
18	738-1001A	1	/P	Shaft, Steering, .625 OD x 24.25
19	741-0475	1	S	Plastic Bushing .380 ID
20	738-0143	1	/P	Screw, Shoulder, .498 x .340
21	783-0726E	1	/P	Pivot Bracket, Support RH
22	783-0727D	1		Pivot Bracket, Support LH
23	783-0728	1		Pivot Bracket, Bar
24	631-04028	1		Steering Wheel
25	731-04681	1		Steering Wheel Cap
26	738-04128	1		Shoulder Screw, .5 x 2.380, 3/8-16
27	731-2290A	1	/P	Deluxe Hub Cap
28	736-0316	1	S	Flat Washer, .78 x 1.589 x .06
29	714-04039	1		Cotter Pin, 5/32 x 1.25
30	719-04105	1	/P	Cast Iron Pivot Bar
31	731-04693	1		Push Cap
32	638-04006	1	S	LH Axle Assembly, .750
33	638-04005	1	S	RH Axle Assembly, .750
34	726-04035	1		Push Nut
35	783-04568	1		Front Deck Hanger Bracket
36	712-0431	1	S	Flange Lock Nut, 3/8-16
37	741-0656A	1	S	Hex Flange Bearing
38	634-04086	1		Wheel Assembly Complete, 15 x 6
	734-1731	1		Tire Only 15 x 6 x 6
	634-04081	1	S	Rim Only w/ Valve Stem