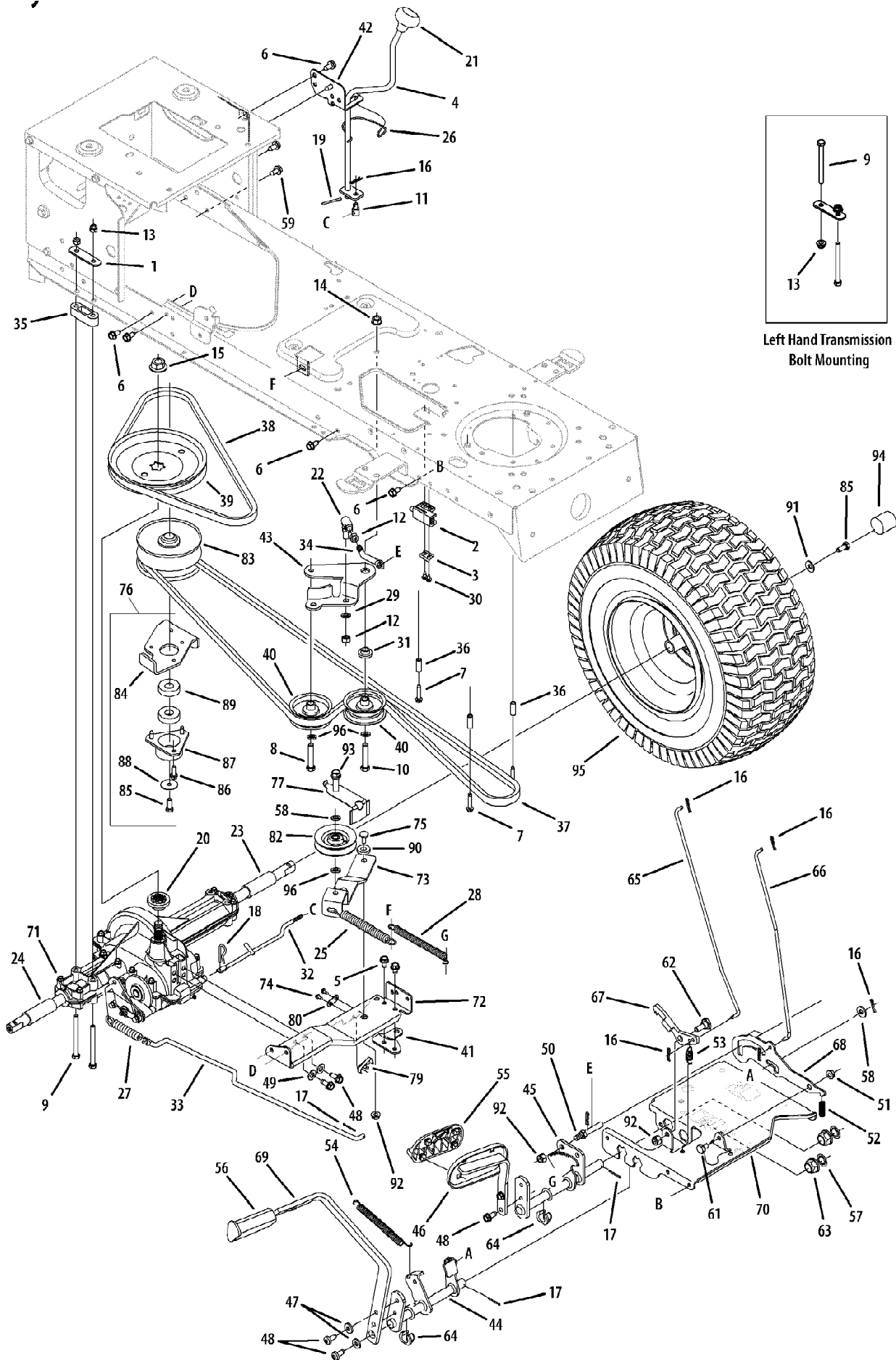


13AX60KH211 Super Bronco (2008)  
Drive System



13AX60KH211 Super Bronco (2008)  
Drive System

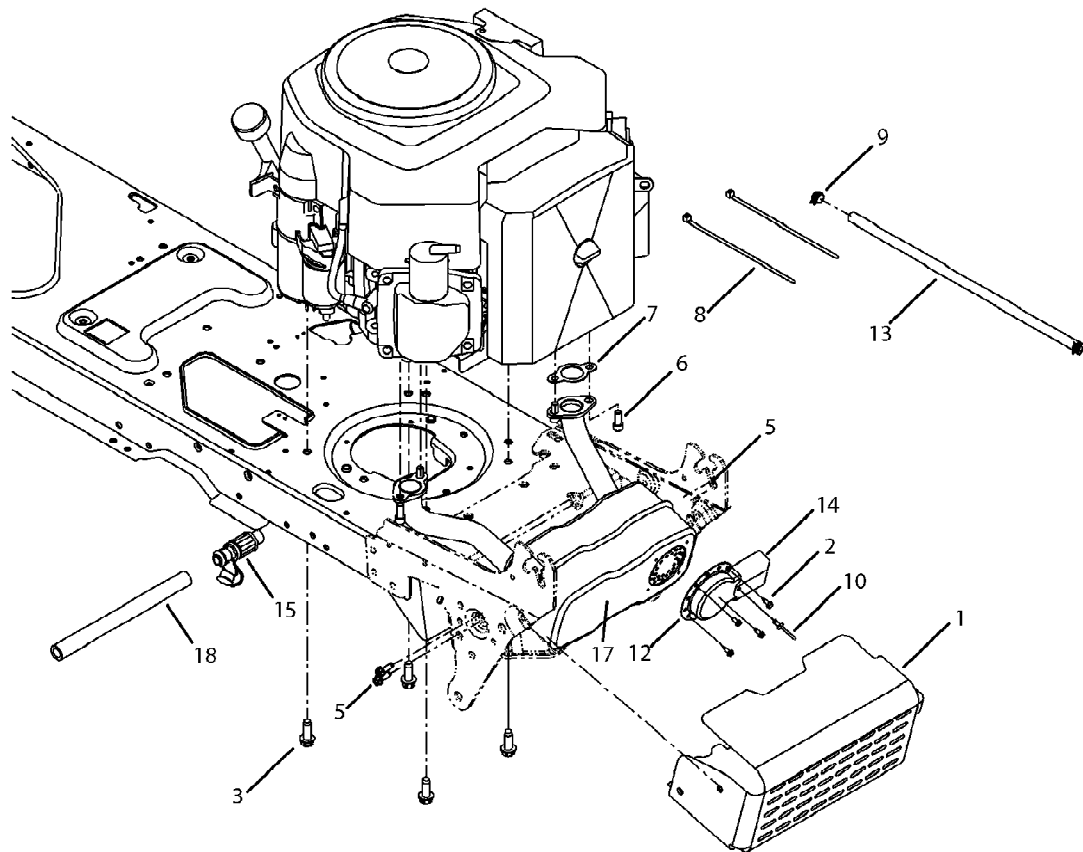
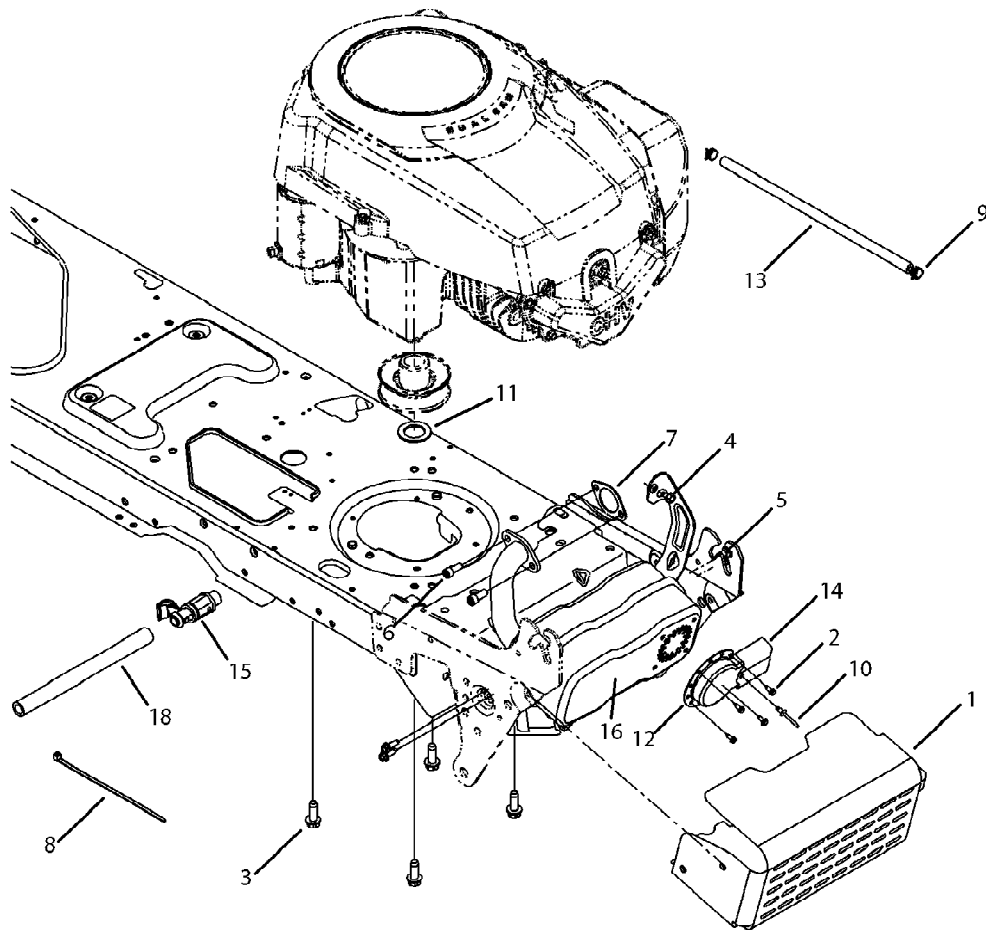
Page 2 of 26

Ref #	Part Number	Qty	S/P/F	Description
1	17840	1	S	Mounting Bracket, Transaxle
2	725-04039	1	S	Switch, Interlock
3	17962	1		Plate, Switch
4	647-04020	1		Lever Assembly, Shift
5	710-0607	1	/P	Screw, 5/16-18, 0.500
6	710-04484	1		Screw, 5/16-12, 0.750
7	710-0809	1		Screw, 1/4-20, 1.250
8	710-1007	1	/P	Screw, Sems, 3/8-16, 1.500
9	710-1266	1	/P	Screw, 5/16-18, 3.50, Gr5
10	710-3144	1	/P	Screw, 3/8-16, 2.00, Gr5
11	711-0736	1	/P	Adjustment Ferrule 1/4-20 x 1.
12	712-0241	1	/P	Nut, Hex, 3/8-24, Gr5
13	712-04063	1	/P	Nut, Flange Lock, 5/16-18, GrF
14	712-0431	1	S	Nut, Flange Lock, 3/8-16, GrF
15	712-0700	1	/P	Nut, Flange, 9/16-18, Gr2
16	714-0104	1	S	Pin, Cotter, .072 Dia. x 1.13
17	714-0111	1	S	Pin, Cotter, 3/32, 1.0
18	714-0209	1	S	Cotter .Pin, Internal, .125 Dia.
19	714-0470	1	S	Pin, Cotter, 1/8 x 1.25
20	718-0758A	1	S	Pulley Hub, 5/8 Spline
21	720-04028	1		Knob, Shift
22	723-3018	1	S	Ball Joint
23	731-04602	1		Sleeve, .758 x .821 x 3.3125
24	731-04604	1		Sleeve, .758 x .821 x 2.4375
25	732-04370A	1	S	Spring, Extension, .62 Dia x 6.12
26	732-0525	1		Spring Clip, Shifter
27	732-0716C	1	S	Spring, Extension, .59 OD x 4.00
28	732-0963	1		Spring, Extension, .50 Dia x 6.37
29	736-0169	1	S	Washer, Lock, 3/8
30	710-0224	1	S	Screw, #10-16, .50
31	738-0372B	1	/P	Spacer, Shoulder, 1.00 x .38 x .38
32	747-04146C	1	/P	Rod, Shift
33	747-04164	1		Rod, Brake
34	747-1127	1		Idler Rod, Adjustable, 3/8
35	748-0334	1	S	Spacer, .68
36	750-0566A	1	/P	Spacer, .260 x .372 x 1.030
37	754-0467	1	S	Belt, V-Type
38	754-0468	1	S	Belt, V-Type
39	756-04002	1	S	Pulley, V-Type, 7.25 Dia.
40	756-04224	1	/P	Idler Pulley, Flat 2.75 OD
41	783-04283A	1		Bracket, Shift
42	783-04360	1		Bracket, Shift, F-N-R
43	783-04442	1		Idler Bracket, Center Double
44	647-04100	1	S	Control Assembly, Brake
45	647-0032A	1	S	Control Assembly, Speed
46	683-0266	1		Pedal Assembly
47	736-0119	1	S	Lock Washer, 5/16
48	710-1260A	1	/P	Screw, 5/16-18, 0.750
49	736-0264	1	S	Washer, Flat, .330 x .630 x .0635
50	711-04159B	1		Pin, 3/8-16 x 2.68
51	712-3004A	1	/P	Nut, Flange Lock, 5/16-18, Gr5
52	732-0335	1		Spring, Compression, .405 x 1.17
53	732-0955	1		Spring, Extension, .50 OD x 1.41

13AX60KH211 Super Bronco (2008)  
Drive System

Page 3 of 26

Ref #	Part Number	Qty	S/P/F	Description
54	732-0963	1		Spring, Extension,.50 OD x 6.37
55	735-0662	1		Pad
56	735-3049A	1	/P	Pad, Brake
57	736-0187	1	/P	Washer, Flat,.64 x 1.24 x.06, Ht
58	736-0262	1	/P	Washer, Flat,.385 x.870 x.092
59	710-04598	1		Hex Screw
60	736-3008	1	S	Washer, Flat,.344 x.750 x.120
61	738-0155	1	S	Screw, Shoulder.437 Dia x.162
62	738-0380	1	S	Screw, Shoulder,.50 x.27 Lg,
63	741-0225	1	S	Bearing, Hex Flange
64	741-3065B	1	/P	Split Bearing, Hex Flange
65	747-04093A	1		Rod, Brake Lock
66	747-04096	1		Rod, Cruise Control
67	748-04039C	1		Latch, Cruise Control
68	783-0732A	1	/P	Bracket, Lockout
69	747-04641A	1	S	Ped, Brake
70	783-04612	1	S	Bracket, Steering Support
71	618-04566	1	S	Transmission, Single Speed
72	683-04287	1		Bracket Assembly, Torque
73	783-05904	1		Bracket, Idler
74	710-0227	1	/P	Screw, #8-18 x.50
75	710-3005	1	/P	Hex Screw, 3/8-16 x 1.25
76	618-04423A	1	S	Variable Speed Pulley Assembly
77	732-1013A	1		Belt Guard
78	712-0130	1	/P	Nut, Lock, 3/8-16, Nylon
79	725-1644	1		Switch Spring, Short
80	726-0320	1	S	Plate, Insulator
81	750-04294	1		Spacer, Shoulder
82	756-04324	1		Idler Pulley, V-Type, 5L x 3.06
83	656-04015	1	S	Pulley Ass'y, Variable Speed
84	683-04296	1		Bracket, Pulley
85	710-0627	1	/P	Screw, 5/16-24,.750
86	710-0778	1	/P	Screw, 1/4-20, 1.500
87	718-04261	1		Cup, Bearing
88	736-0362	1	/P	Washer, Flat
89	741-0124	1	S	Ball Bearing
90	738-04162A	1	/P	Shoulder Spacer, .8840 x .190
91	736-0242	1	/P	Washer, Bell,.340 x.872 x.060
92	712-04065	1	/P	Nut, Flange Lock, 3/8-16, GrF
93	710-04467	1		Screw, Sems, 3/8-16, 2.500
94	731-2290A	1	/P	Hub Cap
95	634-0104	1		Wheel Assy Comp, 20 x 8 x 8
95	634-0177	1	/P	Wheel Assy Comp, 20 x 10 x 8
95	734-1730	1		Tire Only 20 x 8 x 8 Not shown
95	734-1873	1		Tire Only 20 x 10 x 8 Not shown
95	634-04369	1		Rim Only Not shown
95	734-0255	1	S	Valve Stem Not shown
96	736-3010	1		Flat Washer, .407 x .812 x .135

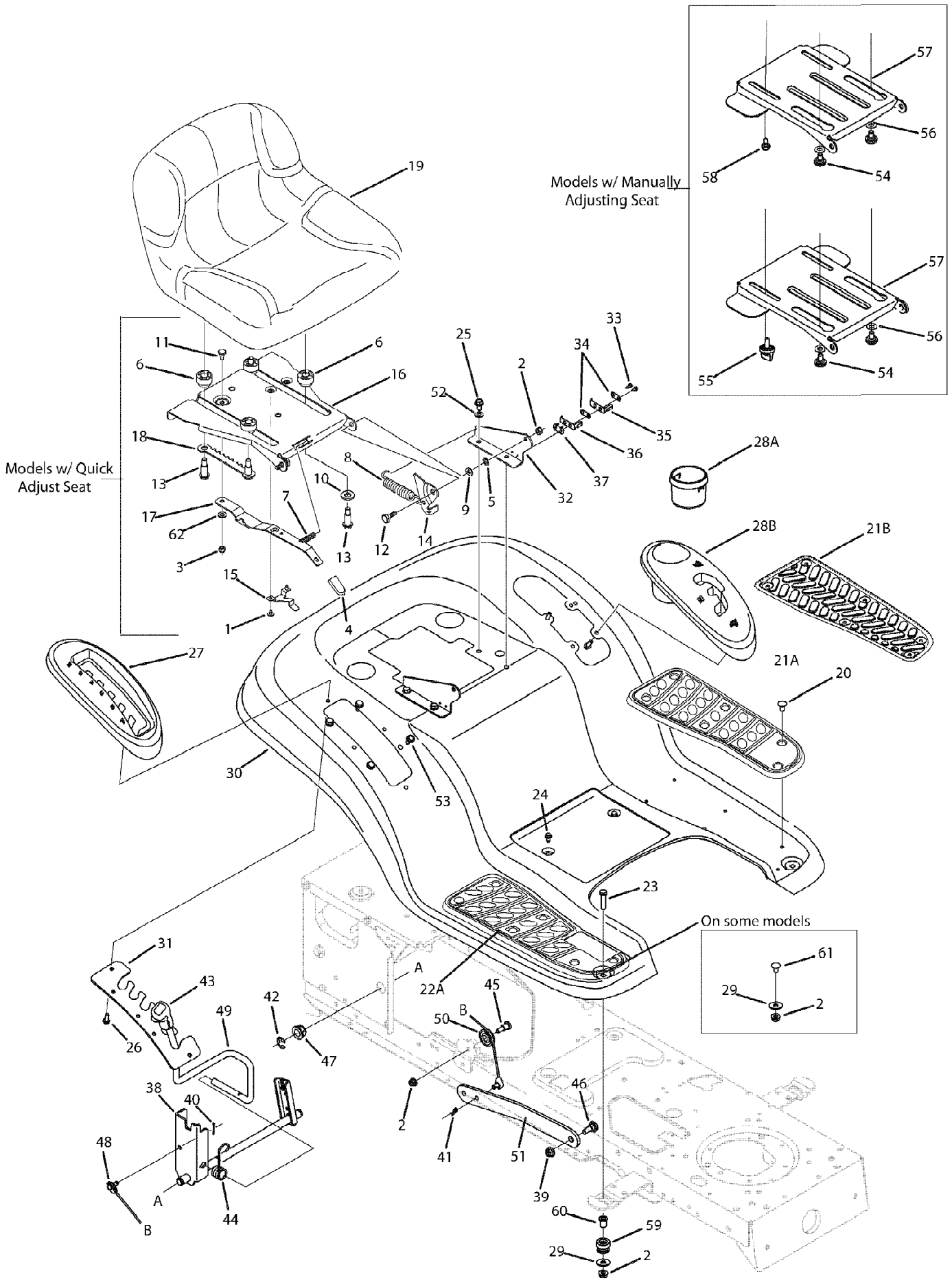


13AX60KH211 Super Bronco (2008)  
Engine Accessories

Page 5 of 26

Ref #	Part Number	Qty	S/P/F	Description
1	683-04370	1	S	Shield, Muffler
2	710-0227	1	/P	Screw, #8-18, 0.500
3	710-04683	1		Screw, Hex, 3/8-16 x 1.00
4	710-0599	1	/P	Screw, Hex, 1/4-20, 0.500
5	710-0642	1	/P	Screw, Hex, 1/4-20, 0.750
6	710-1314A	1	/P	Screw, 5/16-18, 0.75
7	721-0208	1	S	Exhaust Gasket
8	725-0157	1	/P	Cable, Tie, 3/16 x .05 x 7.4
9	726-0205	1	/P	Hose Clamp
10	728-04000	1		Rivet, Pop, .188 x .325
11	736-0277	1		Flat Washer, 1.031 x 1.620 x .095
12	751-0564B	1	/P	Deflector, Muffler
13	751-10349	1		Fuel Line, Low Permeation
14	751-10353	1		Extension, Deflector
15	751-10517	1	S	Drain, Oil
16	751-10529	1	S	Muffler, Single Inlet
17	751-10528	1	S	Muffler, Dual Inlet
18	751-3141	1	S	Extension Hose, Oil Drain

13AX60KH211 Super Bronco (2008)  
Fender, Deck Lift & Seat



13AX60KH211 Super Bronco (2008)  
Fender, Deck Lift & Seat

Page 7 of 26

Ref #	Part Number	Qty	S/P/F	Description
1	710-1268	1	/P	Screw, #10-16 x.375
2	712-04063	1	/P	Nut, Flange Lock, 5/16-18, GrF
3	712-04064	1	/P	Nut, Flange Lock, 1/4-20
4	720-0309A	1	/P	Seat Adjuster Grip
5	726-0201	1		Nut, Speed,.3125 ID
6	731-04074	1		Spacer
7	732-0499	1		Compression Spring,.41 x 1.5
8	732-1184	1	/P	Spring, Extension,.84 Dia. x 4.6
9	736-0242	1	/P	Wash, Flat, .340 x .688 x .065
10	736-0140	1	S	Wash, Flat, .385 x .62 x .63
11	738-0137A	1	S	Screw, Shld, .340 x.285, 1/4-20
12	738-0296	1	S	Screw, Shoulder,.437 x.268
13	738-0966A	1	/P	Screw, Should,.50 x.925, 3/8-16
14	783-0209D	1	/P	Seat Bracket, Lift
15	783-0611	1		Seat Stop
16	783-0738D	1	/P	Seat Pivot Bracket
17	783-0739A	1	S	Seat Adjustment Lever
18	783-0753	1		Seat Adjustment Selector
19	757-04001A	1	/P	Low Back Seat
19	757-04037	1	S	Medium Back Seat
19	757-04003A	1	/P	High Back Seat - Black
19	757-04075	1		High Back Seat - Gray
20	726-3046	1	/P	Ratchet Clip
21a	735-0657	1		LH Foot Pad, Rubber
21b	735-0673	1		LH Foot Pad, Rubber
22a	735-0656	1		RH Foot Pad,Rubber
22b	735-0672	1		RH Foot Pad,Rubber
23	710-0528	1	/P	Hex Screw, 5/16-18 x 1.25
24	710-0599	1	/P	Screw, 1/4-20, 0.500
25	710-04484	1		Screw, 5/16-18, 0.750x
26	710-0895	1		Screw, 1/4-15, 0.750
27	731-1990	1		Cover, Lift Lever
28a	731-04591A	1	/P	Cup Holder
28b	731-2104C	1	S	Cover, w/ Cup Holder
29	736-3078	1	/P	Washer, Flat,.344 x 1.0 x.063
30	783-04333A	1		Fender (4-Style)
31	783-0677B	1		Lift Adjustment Bracket
31	783-0677B	1		Adjust. Brkt., Lift (4-Style)
32	783-1489C	1		Mounting Bracket, Seat
33	710-0227	1	/P	Screw, #8-18 x.50
34	726-0279	1		Plate, Insulator
35	725-1303	1	S	Spring Switch, Outer
36	725-1439	1		Spring Switch, Inner
37	726-0278	1		Plate, Insulator Boss
38	683-04223	1	S	Deck Lift Shaft Assembly
39	712-04065	1	/P	Nut, Flange Lock, 3/8-16, GrF
40	714-0104	1	S	Pin, Cotter,.072 Dia. x 1.13
41	714-0111	1	S	Pin, Cotter, 3/32, 1.0
42	716-0106A	1		Ring, E Type,.625 Dia.
43	720-0311	1		Grip, Handle, 1/2
44	732-0874	1	/P	Spring, Torsion
45	738-0138A	1	/P	Screw, 5/16-18 x.620 Gr2
46	738-04130	1		Scr.,Shldr, .625 x.165, (42" Deck)

13AX60KH211 Super Bronco (2008)  
Fender, Deck Lift & Seat

Page 8 of 26

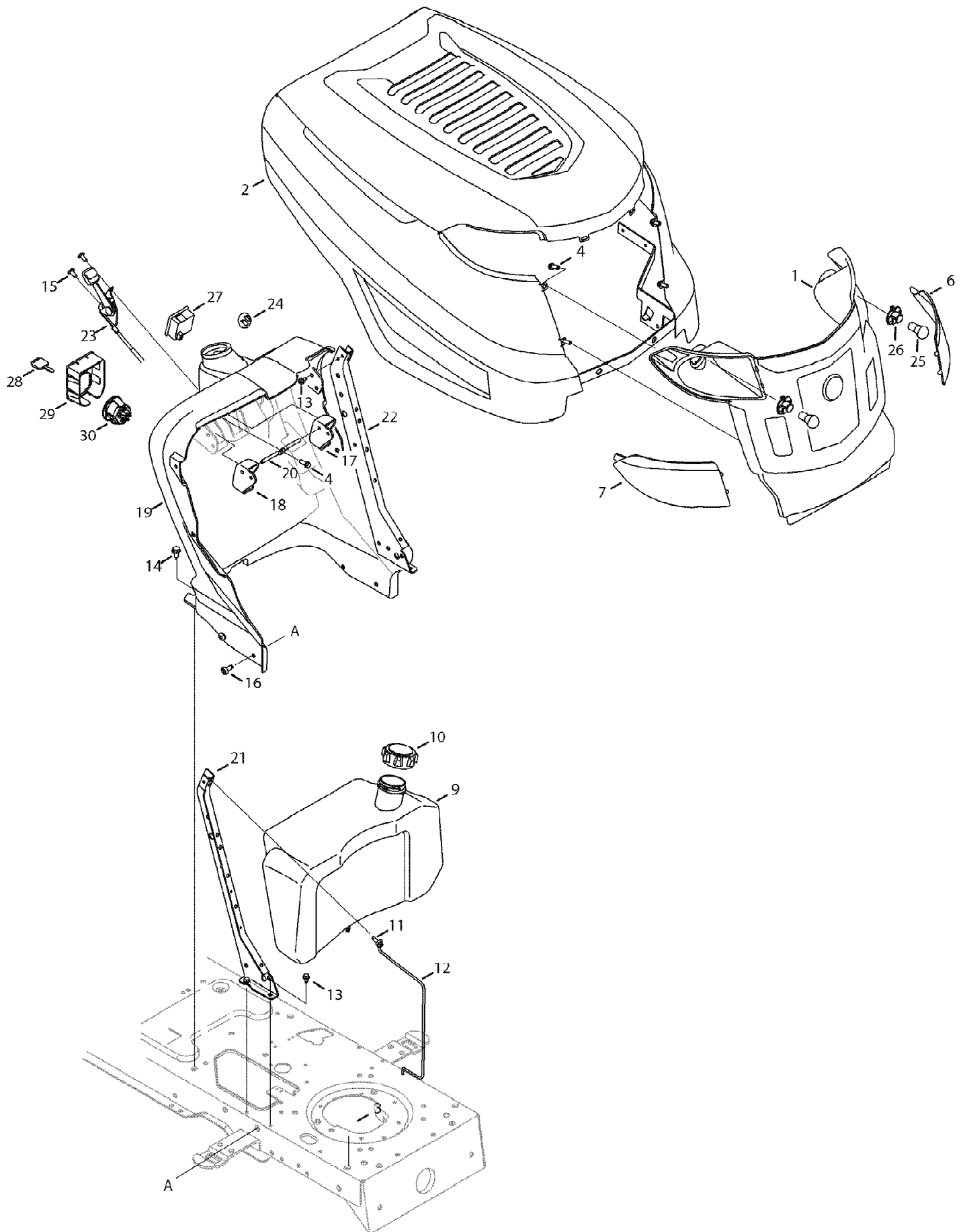
Ref #	Part Number	Qty	S/P/F	Description
46	738-0380	1	S	Screw, Shld,.50 x.27, (46" & 50" Deck)
47	741-0225	1	S	Bearing, Hex Flange
48	746-0968	1		Cable, Lift, 16.16
49	747-04447	1		Handle, Lift
50	756-1154	1		Pulley, Roller
51	783-04711B	1	/P	Arm, Lift - LH (42" Deck)
51	783-04494B	1		Arm, Lift - RH (42" Deck)
51	783-04963A	1		Arm, Lift (46" Deck)
51	783-05546	1	S	Arm, Lift (50" Deck)
52	736-0607	1	/P	Lock Washer, 5/16
53	710-04484	1		Screw, 5/16-18, 0.750
54	738-04012A	1	/P	Shoulder Screw
55	720-04061	1		Knob, 3/8-16
56	736-0300	1	S	Flat Washer, .406 x .875 x .059
57	783-04081B	1		Seat Pivot Bracket, Manual Adj.
58	710-0870	1	/P	Hex Head Washer Screw, 3/8-16
59	735-0690	1		Grommet, .4375 x .750
60	750-3310	1		Flanged Spacer
61	710-0451	1	/P	Carriage Bolt, 5/16-18 x .750
62	736-0204	1	/P	Flat Washer, .344 x .62 x .033





Ref #	Part Number	Qty	S/P/F	Description
1	17962	1		Plate, Switch
2	647-04036A	1	S	Lever Assembly, Engagement
3	714-0145	1	S	Click Pin
4	710-0224	1	S	Screw, #10-16, 0.500
5	710-0276	1	/P	Screw, Carriage, 5/16-18, 1.00
6	732-04248	1		Extension Spring, .38 OD x 3.9 Lg
7	710-04608	1		Screw, 7/16-20, 3.25 42" Deck
7	710-04607	1		Screw, 7/16-20, 2.75 46" Deck
8	736-0173	1	/P	Washer, Flat, .28 x .74 x .063
9	710-0778	1	/P	Screw, 1/4-20 x 1.50
10	710-04484	1		Screw, 5/16-18 x 0.625
11	710-3011	1	/P	Screw, 3/8-16 x 2.25
12	725-1737A	1	S	Battery, 190 CCA
12	725-1750A	1	S	Battery, 235 CCA
13	712-04065	1	/P	Nut, Flange Lock, 3/8-16, GrF
14	712-3004A	1	/P	Nut, Flange Lock, 5/16-18, Gr5
15	714-0115	1	S	Pin, Cotter, 1/8 x 1.00
16	726-0201	1		Nut, Speed, .3125 ID
17	731-2111B	1	/P	Knob, PTO
18	746-04353A	1	S	Deck Engagement Cable
19	750-0566A	1	/P	Spacer, .260 x .372 x 1.030 Lg.
20	783-05358	1		Cable Bracket
21	736-0108	1	S	Washer, Flat, .510 x .750 x .033
22	712-3087	1	/P	Nut, Wing, 1/4-20
23	738-1132	1		Screw, Shoulder, .250 x .150
24	736-0171	1	S	Washer, Lock, 7/16
25	736-0322	1	/P	Washer, Flat, .450 x 1.250 x .164
26	741-0708	1		Bearing, Flange, Hex Split .500 ID
27	712-0271	1	/P	Nut, Sems, 1/4-20
28	747-04470	1		Engagement Handle, Deck
29	748-0415B	1	/P	Spacer, .385 ID x .635 OD x 1.54
30	710-1260A	1	/P	Screw, 5/16-18 x .750
31	756-04196	1	S	Pulley, Engine, 42" Deck
31	756-04207A	1	/P	Pulley, Engine, 46" Deck
32	710-04666	1		Hex Head Flange Screw
33	783-0744A	1		Stop Bracket, Engagement
34	683-04173B	1		Frame Assembly, Lower
35	710-0607	1	/P	Screw, 5/16-18, 0.500
36	710-0642	1	/P	Screw, 1/4-20, 0.750
37	710-3005	1	/P	Screw, 3/8-16, 1.25, Gr5
38	712-04064	1	/P	Nut, Flange Lock, 1/4-20, GrF
39	732-04035	1		Spring, Compr., 1.28 OD x 3.125
40	736-0222	1	S	Washer, Lock, 1/4, External
41	783-04612	1	S	Support Bracket, Steering
42	738-04058	1		Spacer, Shoulder, .38 x 1.0 x .70
43	747-04121A	1		Hold Rod, Battery
44	783-0349	1		Battery Tray
45	783-04329A	1		Seat Bracket, Frame
46	783-04809C	1		Frame, Upper
47	710-0599	1	/P	Screw, 1/4-20, 0.50
48	725-04439	1		Solenoid, 12V, 100 Amp
49	725-04039	1	S	Switch, Interlock

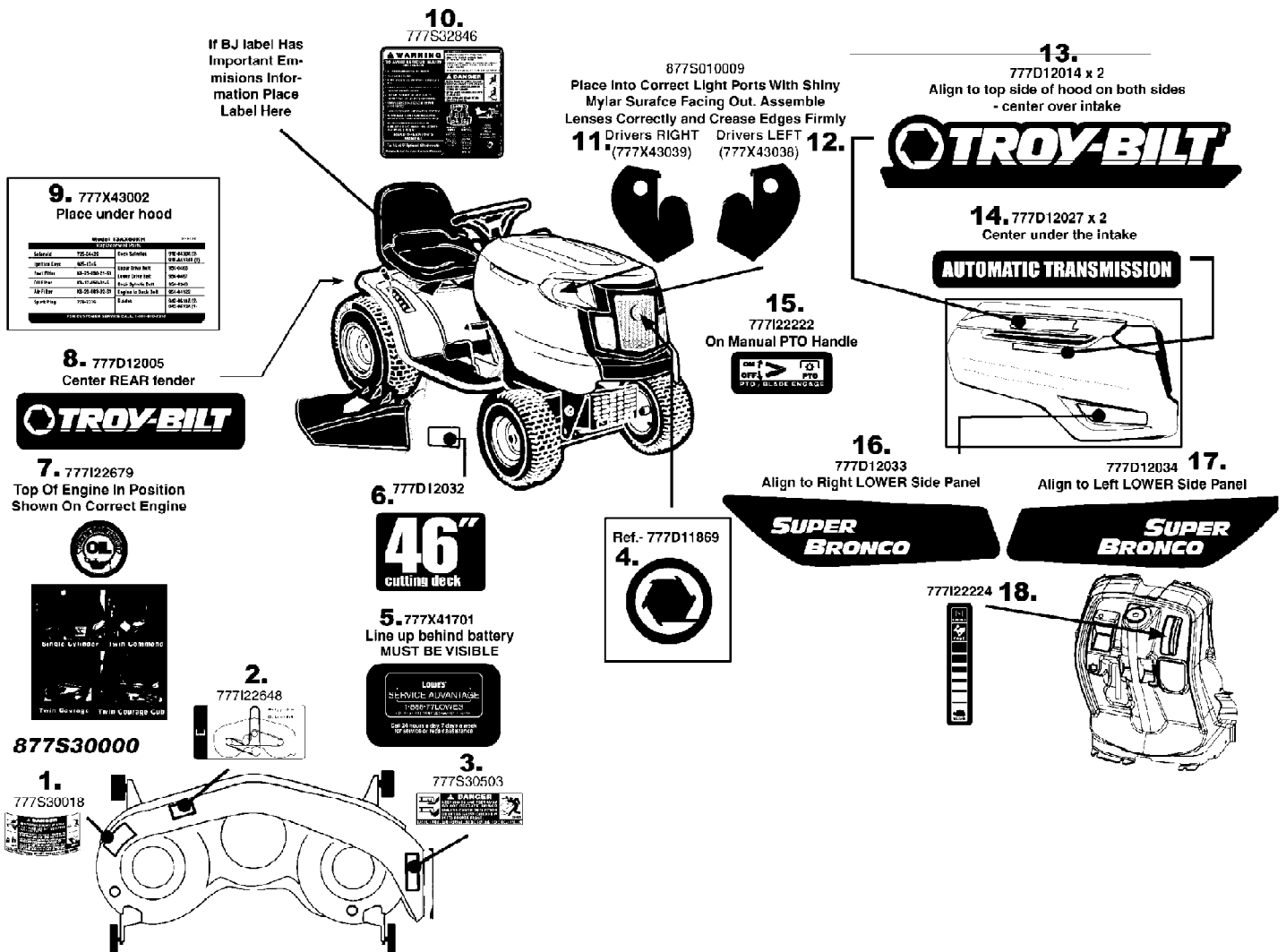
13AX60KH211 Super Bronco (2008)  
Hood & Dash Assembly



13AX60KH211 Super Bronco (2008)  
Hood & Dash Assembly

Page 12 of 26

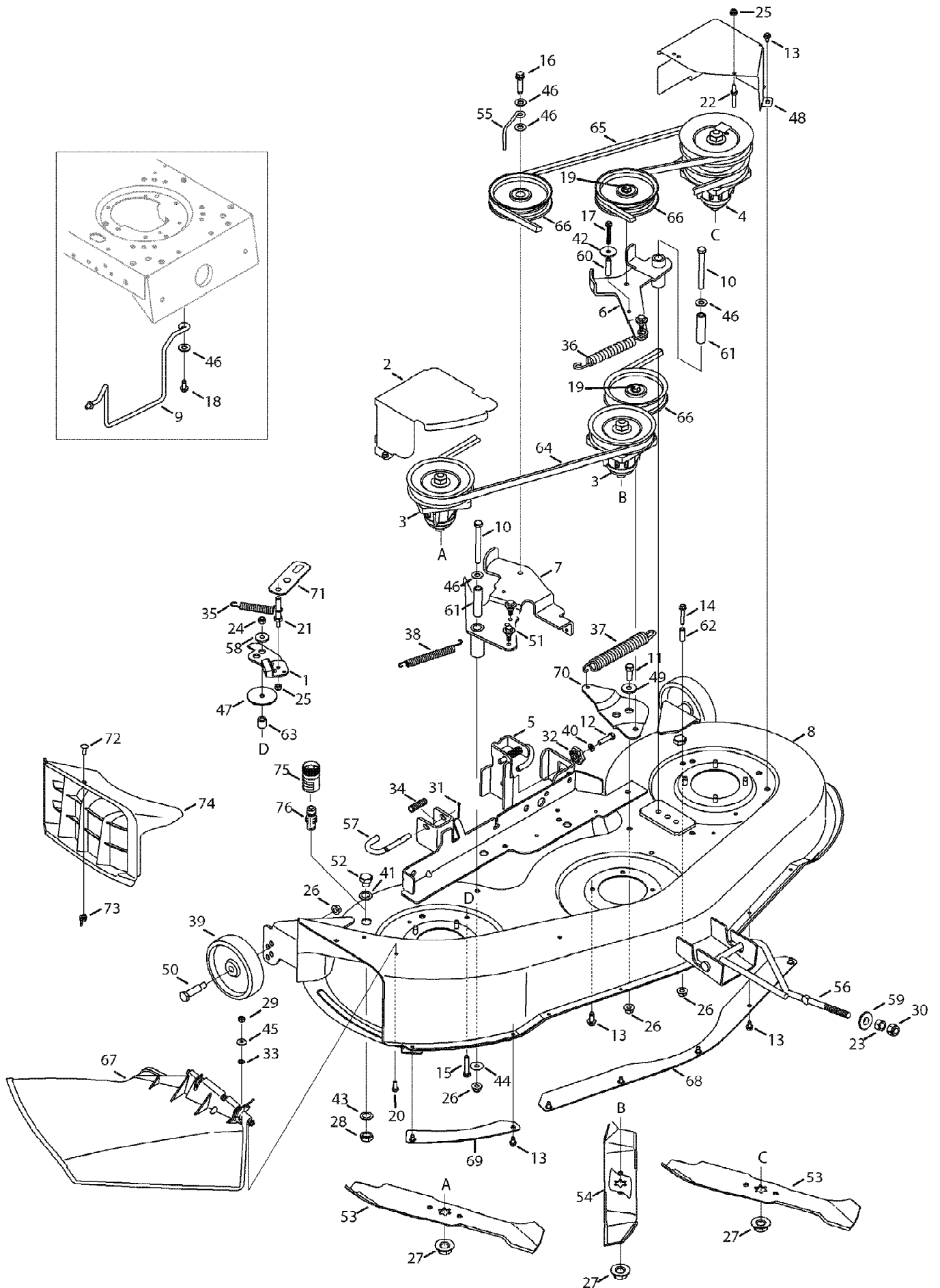
Ref #	Part Number	Qty	S/P/F	Description
1	631-04272	1	/P	Grill Assembly
2	683-04441	1		Hood, K-Style
3	710-04484	1		Screw, 5/16-18, 0.625
4	710-0895	1		Self-tapping Screw, 1/4-15 x.75
5	725-0157	1	/P	Cable Tie, 3/16 x .05 x 7.4
6	731-06095	1		Headlight Lens (LH)
7	731-06096	1		Headlight Lens (RH)
8	738-04091	1	S	Shoulder Screw,.43 x.29
9	751-10609	1		Fuel Tank, 2.5 gal.
10	751-0603	1	S	Fuel Tank Cap
11	710-0642	1	/P	Screw, 1/4-20, 0.750
12	747-04161	1		Gas Tank Support Rod
13	710-0599	1	/P	Screw, 1/4-20, 0.500
14	710-0607	1	/P	Screw, 5/16-18 x 0.500
15	710-1017	1	/P	Screw, 1/4-14 x.625
16	710-1611B	1	/P	Screw, 5/16-18 x.75
17	731-04728	1		Parking Brake Button
18	731-04729	1		Cruise Control Button
19	731-06166	1		Dash Panel w/ Manual PTO
20	747-1196	1		Brake/Cruise Pivot Rod
21	783-04285E	1	S	RH Dash Support Plate
22	783-04323F	1	S	LH Dash Support Plate
23	746-04364	1		Throttle/Choke Control Cable
24	731-1999	1		Choke Plug
25	725-0963	1	S	Headlamp, 12V
26	725-1649	1	S	Lamp Socket
27	725-04156	1	S	Systems Ind. Monitor w/ Amtr.
28	725-1745	1	S	Ignition Key w/ plastic cover
28	725-1744	1	S	Ignition Key w/o plastic cover
29	731-05241A	1	/P	Switch Housing
30	725-04659	1	S	Module, Ignition Switch (3 position)
	629-04083B	1	S	Headlight Wire Harness Not shown
	725-04645	1	S	Wire Harness (3 Position) Not shown
	777X43039	1		Headlight Lens Reflector RH Not shown
	777X43038	1		Headlight Lens Reflector LH Not shown



13AX60KH211 Super Bronco (2008)  
Label Map Super Bronco

Page 14 of 26

Ref #	Part Number	Qty	S/P/F	Description
1	777S30018	1	/P	LABEL-DECK SAFETY
2	777I22648	1		LABEL-DECK BELT ROUTE
3	777S30503	1	/P	LABEL-DANGER CHUTE
4	777D11869	1		LABEL-EMBOSSSED TROYBILT
5	777X41701	1		LABEL
6	777D12032	1		LABEL-RIDER DECK TROY 46"
7	777I22679	1		LABEL-CHECK ENG OIL
8	777D12005	1		LABEL-RIDER REAR FENDER TROY
9	777X43002	1		LABEL-RIDER PARTS LIST 13AX60KH
10	777S32846	1		LABEL-RIDER SAFETY:CRUISE
11	777X43039	1		LABEL-RIDER K STYLE RH
12	777X43038	1		LABEL-RIDER K STYLE LH
13	777D12014	1		LABEL-RIDER HOOD K STYLE TROY
14	777D12027	1		LABEL-RIDER K STYLE HOOD AUTOTRANS
15	777I22222	1		LABEL-PTO HANDLE
16	777D12033	1		LABEL-RIDER HOOD K STYLE TROY
17	777D12034	1		LABEL-RIDER HOOD LH K STYLE TROY
18	777I22224	1		LABEL-DASH RH



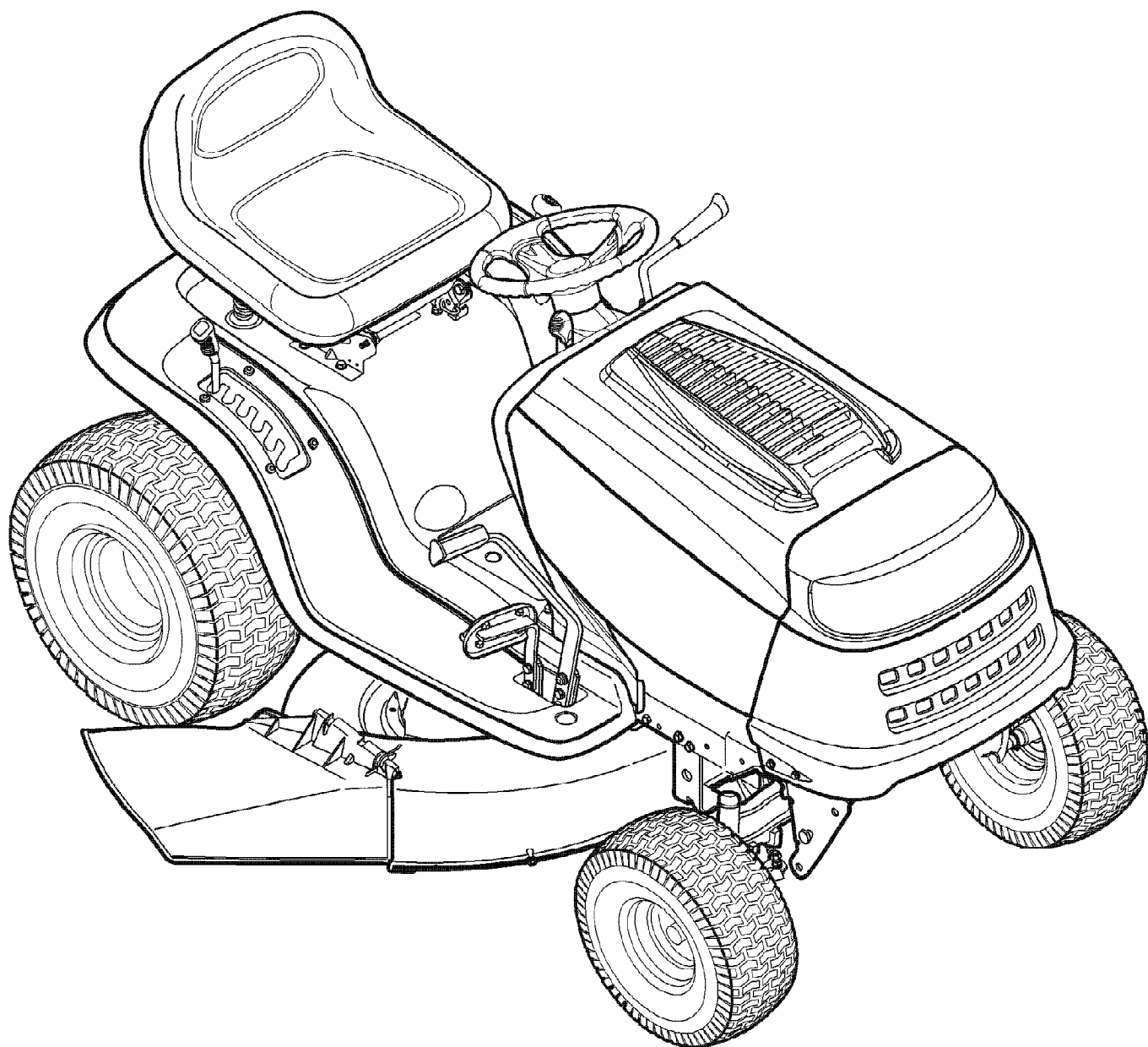
13AX60KH211 Super Bronco (2008)  
Mowing Deck 46

Page 16 of 26

Ref #	Part Number	Qty	S/P/F	Description
1	17116	1	S	Deck Brake Assembly
2	17258E	1		Deck Belt Cover RH
3	618-0240A	1	S	Spindle Assembly If Spindle Housing has grease fitting please refer to part number 618-0430B
3	17983	1		Bearing Shield Not shown
3	619-0042A	1	/P	Spindle Housing Not shown
3	712-0417A	1	/P	Flange Nut:5/8-18 Not shown
3	738-0927	1		Spindle Shaft:4.450 LG. Not shown
3	941-0919	1	/P	Ball Bearing:20x47x14:62 Not shown
3	748-0434	1		Spacer:.750 x 1.150 x .230 Not shown
3	750-0952	1		Spacer:.792 x 1.060 x 1.800 Not shown
3	756-1187	1		Deck Pulley:5.00 Dia Not shown
4	618-04134B	1	S	Double Pulley Spindle Assy.
4	17983	1		Bearing Shield Not shown
4	619-0042A	1	/P	Spindle Housing Not shown
4	712-0417A	1	/P	Flange Nut:5/8-18 Not shown
4	736-0315	1	/P	Flat Washer:.760 x 1.50 X .120 Not shown
4	938-1128	1	/P	Spindle Shaft:6.58 LG. Not shown
4	941-0919	1	/P	Ball Bearing:20x47x14:62 Not shown
4	750-04440	1		Spacer:.792 x 1.060 x 1.680 Not shown
4	750-0952	1		Spacer:.792 x 1.060 x 1.800 Not shown
4	750-1304	1		Spacer:.792 x 1.060 x .400 Not shown
4	756-04094	1		Deck Pulley:5.00 Dia x .80 Not shown
4	756-1188	1		Deck Pulley:5.75 Dia Not shown
5	683-0254B	1	/P	Deck Hanger Bracket Assy.
6	683-04250A	1	/P	Idler Bracket Assembly LH
7	683-04251A	1	/P	Idler Bracket Assembly RH
8	683-04306	1	S	Deck Assembly
9	683-04414	1	S	Belt Keeper Bracket
10	710-04754	1		Hex Screw, 3/8-16 x 3.50
11	710-0514	1	/P	Hex Screw, 3/8-16 x 1.00
12	710-0528	1	/P	Hex Screw, 5/16-18 x 1.25
13	710-0599	1	/P	Screw, 1/4-20 x .50
14	710-0778	1	/P	Screw, 1/4-20 x 1.50
15	710-0805	1	/P	Hex Screw, 5/16-18 x 1.50
16	710-1007	1	/P	Sems Screw, 3/8-16 x 1.50
17	710-1026	1	/P	Screw, 1/4-20 x 1.75
18	710-1260A	1	/P	Screw, 5/16-18, .750
19	710-1315	1	/P	Screw, 3/8-16, x 1.25
20	710-3015	1	/P	Screw, 1/4-20 x .75
21	711-04636	1		Pin, 1/4-20: 3/8 x 2.685
22	711-0993	1	S	Belt Guard Pin, 1/4 x 1.43 lg.
23	712-0206	1	S	Hex Nut, 1/2-13
24	712-04063	1	/P	Flange Lock Nut, 5/16-18
25	712-04064	1	/P	Flange Lock Nut, 1/4-20
26	712-04065	1	/P	Flange Lock Nut, 3/8-16
27	712-0417A	1	/P	Flange Nut, 5/8-18
28	712-0641	1	S	Hex Nut, M16-1.5
29	712-3006	1	/P	Hex Nut, 1/4-20
30	712-3083	1	/P	Hex Lock Nut, 1/2-13
31	714-0470	1	S	Cotter Pin, 1/8 x 1.25
32	717-04074	1	S	Deck Adjustment Gear



Ref #	Part Number	Qty	S/P/F	Description
33	726-0233	1	/P	Push Nut, .25 ID x .50 OD
34	732-0306A	1	S	Compression Spring .531 x 1.75
35	732-0429A	1	S	Extension Spring, .50 x 3.97 Lg.
36	732-04400	1		Extension Spring, .75 x 6.835 Lg.
37	732-0594A	1	S	Extension Spring, .91 x 7.33 Lg.
38	732-0814	1		Extension Spring, .56 x 5.52 lg.
39	734-0973	1	/P	Deck Wheel 5.0 x 1.38
40	736-0119	1	S	Lock Washer, 5/16
41	736-0187	1	/P	Flat Washer, .64 x 1.24 x .06
42	736-0211	1	S	Flat Washer, .285 x 1.25 x .06
43	736-0225	1	/P	Lock Washer, 5/8 Int. Tooth
44	736-0258	1	/P	Flat Washer, .385 x 1.0 x .135
45	736-0270	1	/P	Bell Washer, .265 x .75 x .062
46	736-0300	1	S	Flat Washer, .406 x .875 x .059
47	736-0418A	1	/P	Flat Washer, .406 x .875 x .059
48	783-1348D	1	/P	Deck Belt Cover LH
49	738-0347	1	S	Shoulder Spacer, .625 ID x .169
50	738-0373	1	S	Shoulder Bolt .496 x 1.525: 3/8-16
51	738-04091A	1	/P	Shoulder Screw .43 x .29:5/16-18
52	738-04146	1		Bolt Plug, M16 x 1.5
53	742-0611A	1	S	Blade, 3 in 1 star, 16.28" Lg.
54	742-0612A	1	S	Blade, 3 in 1 star, 14.88" Lg.
55	747-04530	1		Belt Keeper Rod
56	747-04645	1		Front Deck Adjustment Rod
57	747-1116	1	/P	Deck Release Handle Rod
58	748-0234	1	/P	Shoulder Spacer
59	748-04069	1		Deck Lift Pivot Cup
60	750-04456	1		Spacer, .260 x .372 x 1.420 Lg.
61	750-04999	1		Spacer, .380 x .625 x 2.515 Lg.
62	750-0566A	1	/P	Spacer, .260 x .372 x 1.030 Lg.
63	750-1320	1		Spacer, .375 x .63 x .595 Lg.
64	754-0349	1	S	V-Belt, 79.10 Lg. Deck
65	754-04122	1	S	V-Belt, 90.24 Lg.
66	756-04129	1	S	Idler Pulley, 4.25" dia.
67	731-1032B	1	S	Discharge Chute
68	783-0141	1		Center Deck Skirt
69	783-0142	1	S	RH Deck Skirt
70	783-04641A	1		Idler Bracket
71	783-05321	1	S	Brake Bracket
72	710-0134	1	/P	Carriage Screw, 1/4-20 x .62
73	712-3087	1	/P	Wing Nut, 1/4-20
74	731-05264	1		Mulch Plug, 46" Deck
75	721-04041	1	S	Water Nozzle Adapter
76	737-04003C	1	S	Deck Water Nozzle

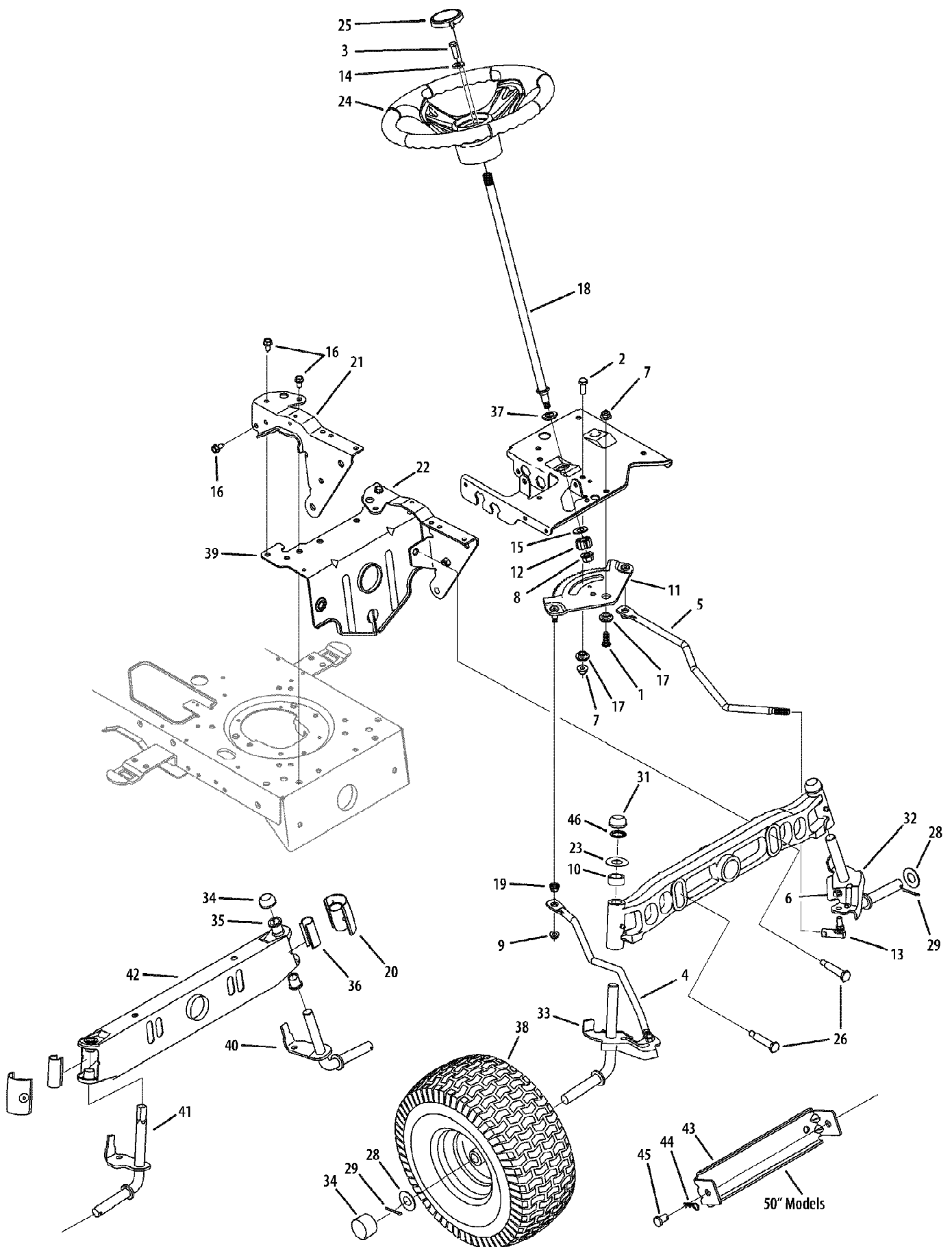


13AX60KH211 Super Bronco (2008)  
Quick Reference Super Bronco

Page 19 of 26

Ref #	Part Number	Qty	S/P/F	Description
	KH-12-050-01-S	1	/P	OIL FILTER
	KH-20-883-02-S1	1	/P	AIR FILTER w/Pre-Cleaner
	NA	1		PRE-CLEANER ELEMENT
	759-3336	1	/P	SPARK PLUG
	KH-25-050-21-S1	1	/P	FUEL FILTER
	942-0611A	2	/P	BLADES
	942-0612A	1	/P	BLADES
	712-0417A	1	/P	BLADE NUT
	954-0468	1	/P	UPPER DRIVE BELT
	954-0467	1	S	LOWER DRIVE BELT
	954-0349	1	/P	DECK SPINDLE BELT
	954-04122	1	/P	ENGINE TO DECK BELT
	918-0430A	2	S	DECK SPINDLES
	918-04134B	1	S	DECK SPINDLES
	925-1745	1	S	IGNITION KEYS
	725-04439	1		SOLENOID
	951-3111	1	S	FUEL CAP
	NA	1		DECK WHEELS
	923-0448A	1	/P	BALL JOINTS
	741-0516B	1	/P	WHEEL BUSHINGS
	741-0990B	1	/P	WHEEL BUSHINGS in board
	925-04039	1	/P	SAFETY SWITCH-DECK
	925-04039	1	/P	SAFETY SWITCH-BRAKE/CLUTCH
	NA	1		WATER NOZZLE ADAPTER
	OEM-190-032	1	/P	Snow Thrower, 42"
	OEM-190-182	1	S	Double Bagger, 46"
	19A-218-000	1		Rear Weight Kit with 1 Suitcase Weight
	OEM-19A-128	1		Suitcase Weight
	OEM-190-833	1	/P	Dozer Blade, 46"
	OEM-190-658	1	S	Tire Chains, 20"
	OEM-190-118	1		Mulch Kit, 46"
	OEM-190-607	1		Deluxe Sunshade
	OEM-190-751	1		Snow Cab
	OEM-190-679	1	/P	Front Bumper

13AX60KH211 Super Bronco (2008)  
Steering & Front Axle Assembly



13AX60KH211 Super Bronco (2008)  
Steering & Front Axle Assembly

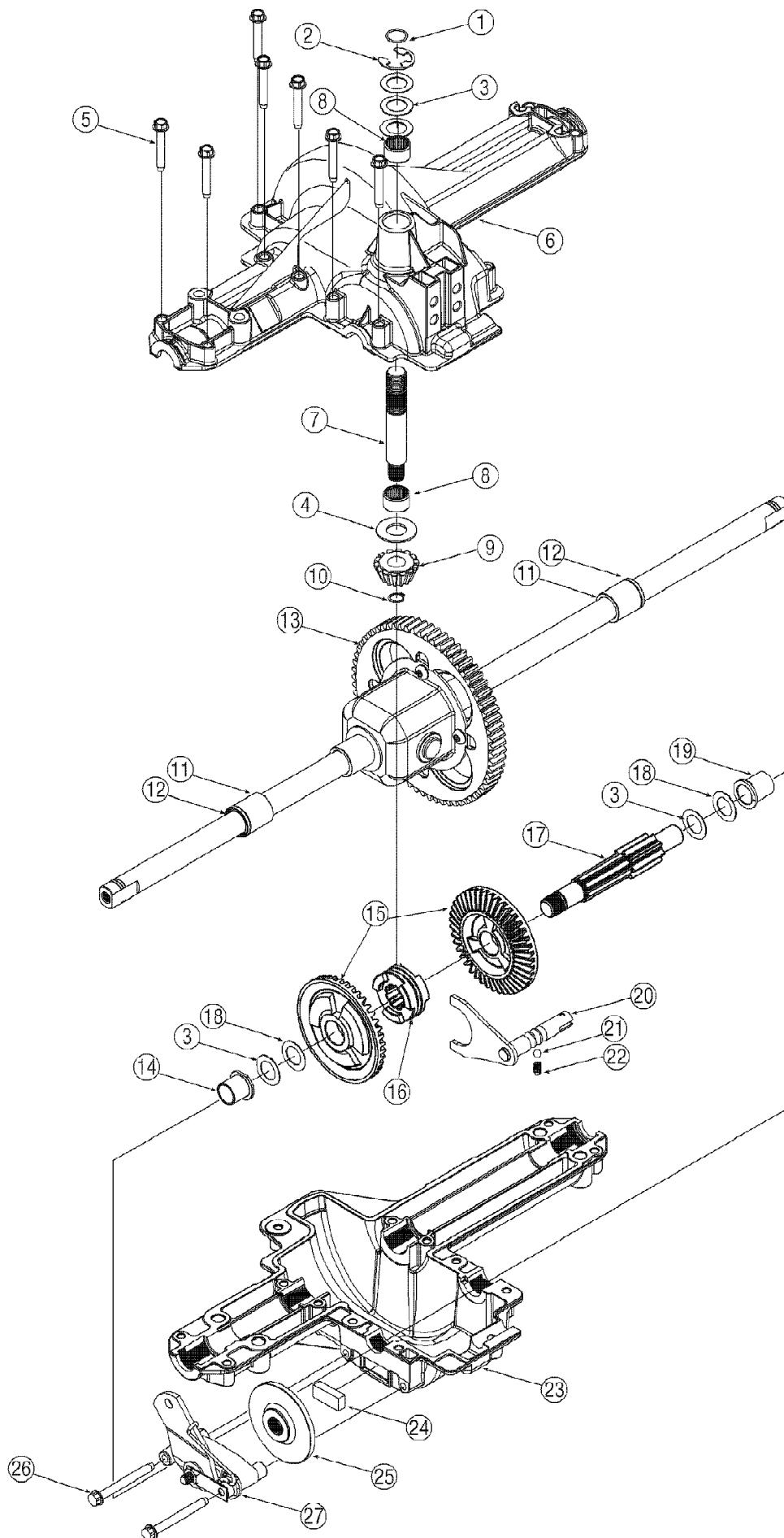
Page 21 of 26

Ref #	Part Number	Qty	S/P/F	Description
1	710-04095	1		Hex Screw, 3/8-16, 1.00, Gr5
2	710-0514	1	/P	Hex Screw, 3/8-16, 1.00, Gr5
3	710-0643	1	/P	Hex Screw, 5/16-18, 1.00, Gr5
4	711-1408	1		Link, Drag, RH
5	711-1409A	1	/P	Link, Drag, LH
6	712-0214	1	S	Nut, Hex Lock, 3/8-24
7	712-04065	1	/P	Nut, Flange Lock, 3/8-16, Grf
8	712-0459	1	/P	Nut, Flange Lock, 7/16-20
9	712-3004A	1	/P	Nut, Flange Lock, 5/16-18, Gr5
10	748-04068	1		Spacer, .71 x .125 x .56
11	717-1550E	1	S	Gear, Steering, 11/90 Ratio
12	717-1554	1		Gear, Pinion, Steering
13	723-0448A	1	S	Ball Joint, 7/16-20, Lock
14	736-3004	1	S	Washer, Flat, .406 x .875 x .105
15	736-3084	1	/P	Washer, Flat, .51 x 1.12 x .06
16	710-04484	1		Screw, 5/16-18, 0.750
17	738-04154	1		Spacer, Shoulder, .38 x 1.00 x .31
18	738-04263	1		Shaft, Steering, .625 OD x 24.25
19	741-0475	1	S	Plastic Bushing .380 ID
20	731-1291A	1	S	Pivot Bar End Cap w/ fitting
21	783-05328A	1	S	Pivot Bracket, RH (42" & 46" Deck)
22	783-05327B	1	S	Pivot Bracket, RH (42" & 46" Deck)
23	736-0316	1	S	Washer, Flat, .78 x 1.59 x .060
24	631-04028	1		Steering Wheel
24	631-04008A	1	/P	Steering Wheel, Softgrip
25	731-04039	1		Steering Wheel Cap
25	731-04040	1		Steering Wheel Cap, Sprig Logo
25	731-04681	1		Steering Wheel Cap, Tine Logo
26	738-04128	1		Shoulder Bolt, .5 x 2.38, 3/8-16
27	731-05674	1		Hub Cap, Standard
28	736-04228A	1		Flat Washer, .781 x 1.59
29	714-0162	1	/P	Cotter Pin, 5/32 x 1.25 (Cast Axle)
29	714-04039	1		Cotter Pin, 5/32 x 1.25 (Stmpd. Axle)
30	719-04177A	1		Cast Iron Pivot Bar
31	726-0341	1	/P	Push Cap (Stamped Axle)
31	731-04693	1		Push Cap (Cast Axle)
32	638-04003A	1	S	LH Axle Assembly, .750 (46" Deck)
33	638-04004A	1	S	RH Axle Assembly, .750 (46" Deck)
34	731-05674	1		Push Cap, 3/4
35	741-0660A	1	/P	Flange Bearing
36	731-04057A	1		Axle End Cap, Standard
37	741-04237	1		Hex Flange Bearing
38	634-04086	1		Wheel Assembly Complete, 15x6
38	734-1731	1		Tire Only 15 x 6 x 6
38	634-04081	1	S	Rim Only w/ Valve Stem
39	783-05326	1	S	Frnt. Deck Hang Bracket
40	638-04006	1	S	LH Axle Assembly, .750 (42" Deck)
41	638-04005	1	S	RH Axle Assembly, .750 (42" Deck)
42	683-0128B	1	/P	Pivot Bar Axle Assembly
43	783-0720A	1	S	Deck Rod Adjust. Bracket Not used in this application
44	714-04023	1	S	Hairpin Clip
45	711-0332	1	S	Clevis Pin, .50 x .78

13AX60KH211 Super Bronco (2008)  
Steering & Front Axle Assembly

Page 22 of 26

Ref #	Part Number	Qty	S/P/F	Description
46	726-04035	1		Nut, Push, 3/4 dia.



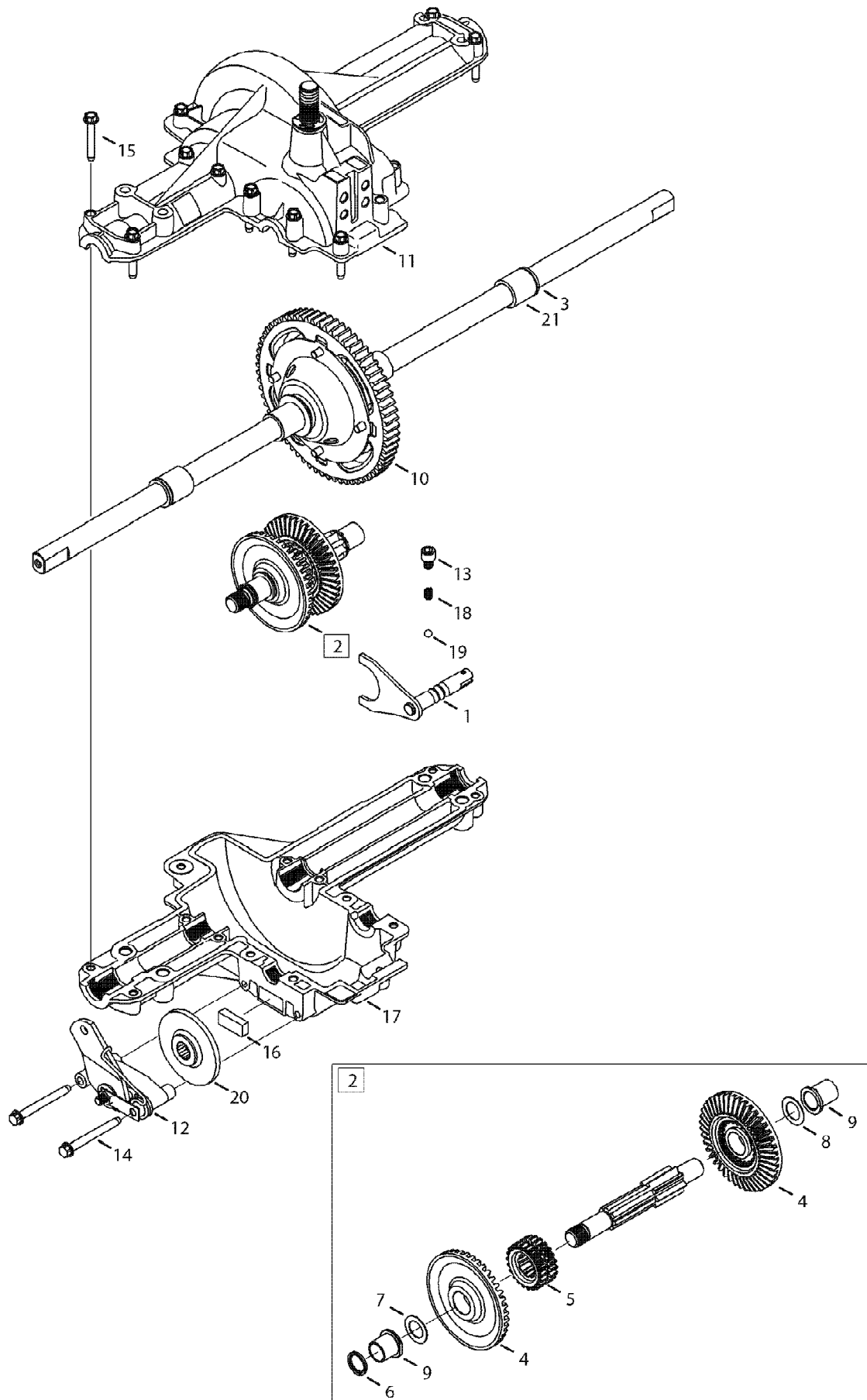
13AX60KH211 Super Bronco (2008)  
Transmission Assembly 618-04034

Page 24 of 26

Ref #	Part Number	Qty	S/P/F	Description
1	732-0614	1		Ring, Wire
2	716-0231	1	S	Ring, E Type,.750
3	736-0336	1	S	Flat Washer, 5/8 x 1.0 x.030 Use applicable flat washer (ref. #'s 3 or 18) in this application allowing .0150/.0020 in. end-play
3	736-0337	1	S	Flat Washer, 5/8 x 1.0 x.040 Use applicable flat washer (ref. #'s 3 or 18) in this application allowing .0150/.0020 in. end-play
3	736-0349	1	S	Flat Washer, 5/8 x 1.0 x.020 Use applicable flat washer (ref. #'s 3 or 18) in this application allowing .0150/.0020 in. end-play
4	736-0335	1	S	Washer, Thrust.635 x 1.26 x.06
5	710-1325	1	/P	Self-tapping Screw, 1/4-20 x 1.625
6	719-04017	1	S	Upper Housing
7	711-1109	1		Input Shaft
8	741-0335	1	S	Needle Bearing,.625 x.813 x.495
9	717-1464	1		14-tooth Bevel Pinion
10	716-0108	1	S	Retaining Ring,.437
11	741-0340	1	S	Sleeve Bearing,.75 x.1.0 x 1.0
12	721-0338	1	S	Seal,.75 x 1.0 x.125
13	618-04041A	1	S	Differential Assembly use with 618-04034 Transmission
14	741-0336	1	S	Flange Bearing, 5/8 x 3/4 x 3/4
15	717-04056	1	S	42-tooth Bevel Gear
16	718-04045	1	S	Clutch Collar
17	711-04134	1	S	Drive Shaft
18	736-0495	1	S	Thrust Washer, 1.0 x.632 x.0 Use applicable flat washer (ref. #'s 3 or 18) in this application allowing .0150/.0020 in. end-play
18	736-0494	1		Flat Washer,.632 x 1.00 x.035 Use applicable flat washer (ref. #'s 3 or 18) in this application allowing .0150/.0020 in. end-play
19	741-0337	1	S	Flange Bearing, 5/8 x 3/4 x 15/16
20	611-0011	1	S	Detent Shaft Assembly
21	741-0862	1	/P	Detent Ball
22	732-0863	1	S	Compression Spring
23	719-04018	1	S	Lower Housing
24	717-0678	1	S	Brake Puck
25	761-0202	1		Brake Disc
26	710-1206	1	/P	Self-tapping Screw, 1/4-20 x 2.375
27	661-0001	1	S	Brake Assembly
	737-0148	1	S	Grease (19 oz.) Not shown
	618-04034	1	S	Transmission Assembly



13AX60KH211 Super Bronco (2008)  
Transmission Assembly 618-04566



13AX60KH211 Super Bronco (2008)  
Transmission Assembly 618-04566

Page 26 of 26

Ref #	Part Number	Qty	S/P/F	Description
1	611-0011	1	S	Detent Shaft Assembly
2	611-04091	1	S	Drive Shaft Assy. (includes ref. 4 - 9)
3	721-0338	1	S	Seal,.75 x 1.0 x.125
4	717-04479	1	S	Bevel Gear, 42 tooth spline
5	718-04381	1	S	Single Speed Clutch Collar
6	721-0213	1	/P	Seal, .625 x .812 x .094
7	736-0336	1	S	Flat Washer 5/8 x 1 x .030 Use applicable flat washers in this application allowing .006/.014 in. end-play.
7	736-0337	1	S	Flat Washer .634 x 1 x .04
7	736-0349	1	S	Flat Washer .63 x 1 x .02
7	736-0494	1		Flat Washer .632 x 1 x .035
7	736-0495	1	S	Thrust Washer 1.00 x .632 x .0
8	741-0336	1	S	Flange Bearing, 5/8 x 3/4 x 3/4
9	741-0337	1	S	Flange Bearing, 5/8 x 3/4 x 15/16
10	618-04567	1	S	Differential Assembly Use with 618-04566 Transmission
11	619-04187	1	S	Upper Housing
12	661-0001	1	S	Brake Assembly
13	710-04731	1		Self-tapping Screw, 5/16-18 x .375
14	710-1206	1	/P	Self-tapping Screw, 1/4-20 x 2.375
15	710-1325	1	/P	Self-tapping Screw, 1/4-20 x 1.625
16	717-0678	1	S	Brake Puck
17	719-04329	1	S	Lower Housing
18	732-0863	1	S	Compression Spring
19	741-0862	1	/P	Detent Ball
20	761-0202	1		Brake Disc
21	741-0340	1	S	Sleeve Bearing,.75 x.1.0 x 1.0
	737-0148	1	S	Grease (19 oz.) Not shown
	618-04566	1	S	Transmission Assembly