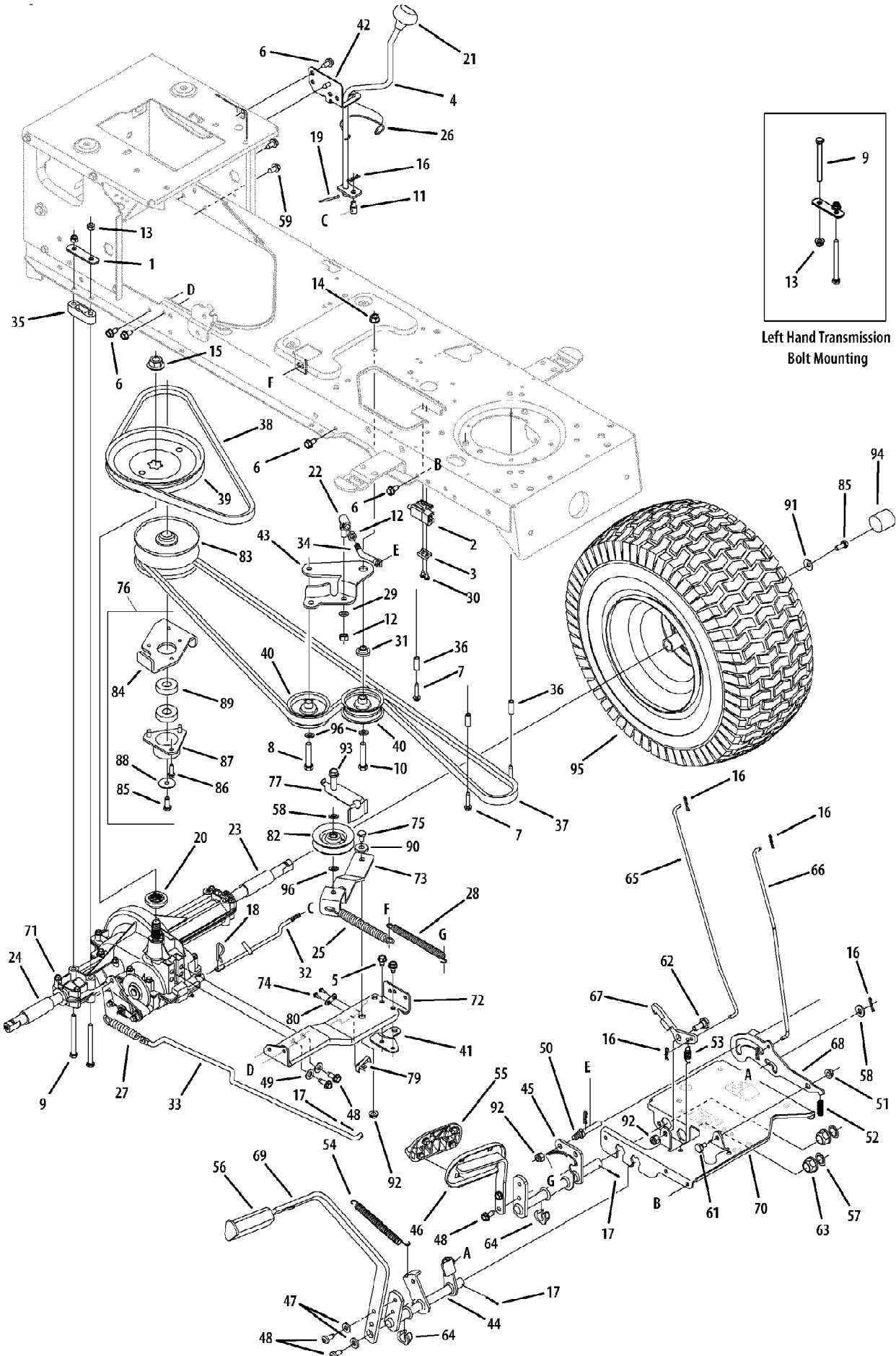


13AX60KH011 Super Bronco (2009)  
Drive System



13AX60KH011 Super Bronco (2009)  
Drive System

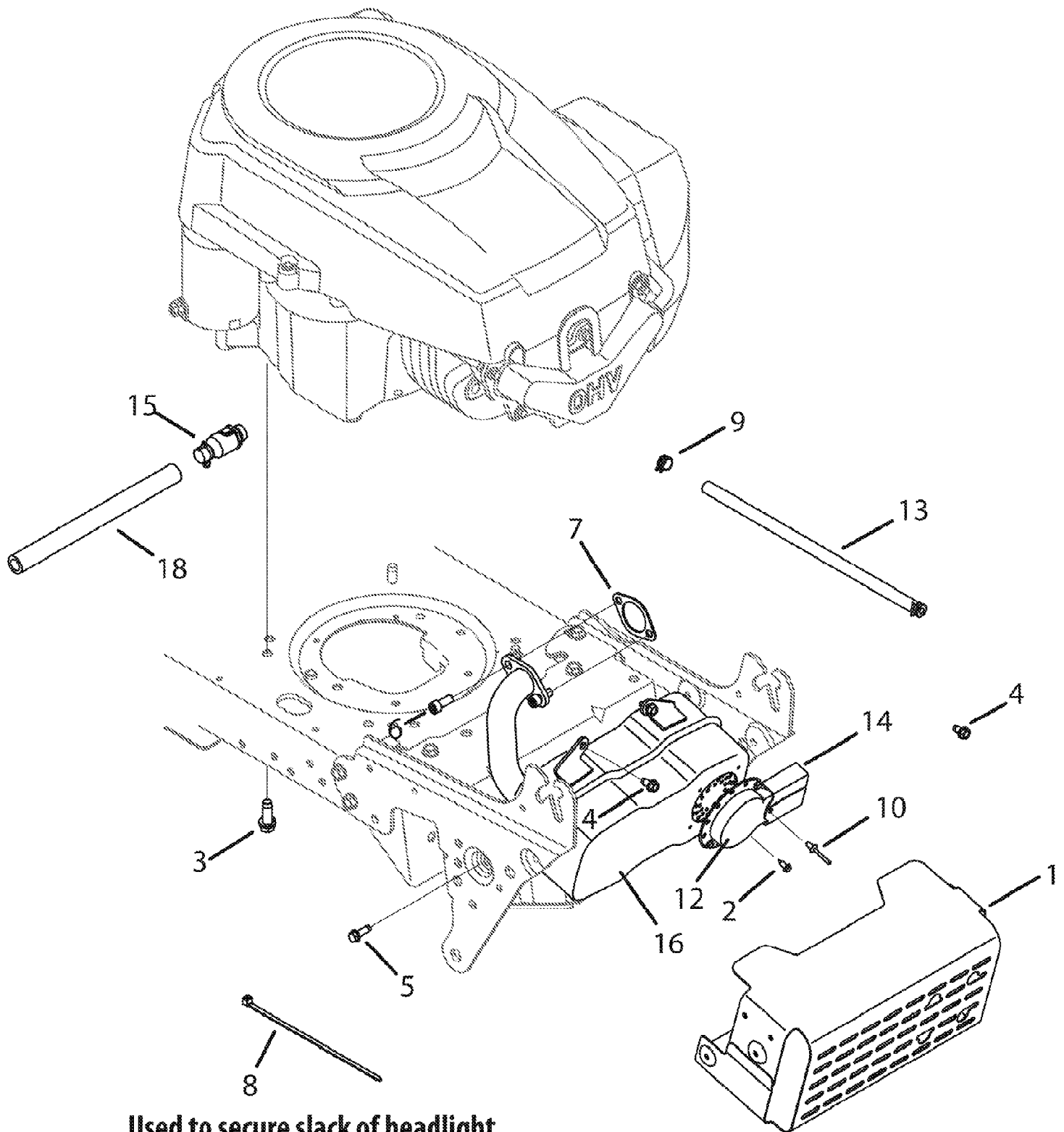
Page 2 of 23

Ref #	Part Number	Qty	S/P/F	Description
1	17840-0637	1	/P	Mounting Bracket, Trans-axle
2	925-04039	1	/P	Switch, Interlock
3	17962	1		Plate, Switch
4	647-04020	1		Lever Assembly, Shift
5	710-0607	1	/P	Screw, 5/16-18, 0.500
6	710-04484	1		Screw, 5/16-12, 0.750
7	710-0809	1		Screw, 1/4-20, 1.250
8	710-1007	1	/P	Screw, Sems, 3/8-16, 1.500
9	710-1266	1	/P	Screw, 5/16-18, 3.50, Gr5
10	710-3144	1	/P	Screw, 3/8-16, 2.00, Gr5
11	711-0736	1	/P	Adjustment Ferrule 1/4-20 x 1.
12	712-0241	1	/P	Nut, Hex, 3/8-24, Gr5
13	712-04063	1	/P	Nut, Flange Lock, 5/16-18, GrF
14	912-0431	1	/P	Nut, Flange Lock, 3/8-16, GrF
15	712-0700	1	/P	Nut, Flange, 9/16-18, Gr2
16	914-0104	1	/P	Pin, Cotter, .072 Dia. x 1.13
17	914-0111	1	/P	Pin, Cotter, 3/32, 1.0
18	914-0209	1	/P	Cotter .Pin, Internal, .125 Dia.
19	914-0470	1	/P	Pin, Cotter, 1/8 x 1.25
20	718-04407	1		Pulley Hub, 5/8 Spline
21	720-04028	1		Knob, Shift
22	923-3018	1	/P	Ball Joint
23	731-04602	1		Sleeve, .758 x .821 x 3.3125
24	731-04604	1		Sleeve, .758 x .821 x 2.4375
25	932-04370A	1	/P	Spring, Extension, .62 Dia x 6.12
26	732-0525	1		Spring Clip, Shifter
27	732-0716D	1	/P	Spring, Extension, .59 OD x 4.00
28	732-0963	1		Spring, Extension, .50 Dia x 6.37
29	936-0169	1	/P	Washer, Lock, 3/8
30	910-0224	1	/P	Screw, #10-16, .50
31	738-0372B	1	/P	Spacer, Shoulder, 1.00 x .38 x .38
32	747-04146C	1	/P	Rod, Shift
33	747-04164	1		Rod, Brake
34	747-1127	1		Idler Rod, Adjustable, 3/8
35	948-0334	1	/P	Spacer, .68
36	750-0566A	1	/P	Spacer, .260 x .372 x 1.030
37	954-0467	1	S	Belt, V-Type
38	954-0468	1	/P	Belt, V-Type
39	956-04002	1	/P	Pulley, V-Type, 7.25 Dia.
40	756-04224	1	/P	Idler Pulley, Flat 2.75 OD
41	783-04283A	1		Bracket, Shift
42	783-04360	1		Bracket, Shift, F-N-R
43	783-04442-0637	1		Idler Bracket, Center Double
44	647-04100-0637	1	/P	Control Assembly, Brake
45	647-0032A-0637	1	/P	Control Assembly, Speed
46	683-0266	1		Pedal Assembly
47	936-0119	1	/P	Lock Washer, 5/16
48	710-1260A	1	/P	Screw, 5/16-18, 0.750
49	936-0264	1	/P	Washer, Flat, .330 x .630 x .0635
50	711-04159B	1		Pin, 3/8-16 x 2.68
51	712-3004A	1	/P	Nut, Flange Lock, 5/16-18, Gr5
52	732-0335	1		Spring, Compression, .405 x 1.17
53	732-0955	1		Spring, Extension, .50 OD x 1.41

13AX60KH011 Super Bronco (2009)  
Drive System

Page 3 of 23

Ref #	Part Number	Qty	S/P/F	Description
54	732-0963	1		Spring, Extension,.50 OD x 6.37
55	735-0662	1		Pad
56	735-3049A	1	/P	Pad, Brake
57	736-0187	1	/P	Washer, Flat,.64 x 1.24 x.06, Ht
58	736-0262	1	/P	Washer, Flat,.385 x.870 x.092
59	710-04598	1		Hex Screw
61	938-0155	1	/P	Screw, Shoulder.437 Dia x.162
62	938-0380	1	/P	Screw, Shoulder,.50 x.27 Lg,
63	941-0225	1	/P	Bearing, Hex Flange
64	741-3065B	1	/P	Split Bearing, Hex Flange
65	747-04093A	1		Rod, Brake Lock
66	747-04096	1		Rod, Cruise Control
67	748-04039C	1		Latch, Cruise Control
68	783-0732A	1	/P	Bracket, Lockout
69	747-04641A-0637	1	/P	Pedal, Brake
70	783-04612-0637	1	/P	Bracket, Steering Support
71	918-04566	1	/P	Transmission, Single Speed
72	683-04287	1		Bracket Assembly, Torque
73	783-05904-0637	1		Bracket, Idler
74	710-0227	1	/P	Screw, #8-18 x.50
75	710-3005	1	/P	Hex Screw, 3/8-16 x 1.25
76	918-04423A	1	/P	Variable Speed Pulley Assembly
77	732-1013A	1		Belt Guard
79	725-1644	1		Switch Spring, Short
80	926-0320	1	/P	Plate, Insulator
82	756-04324	1		Idler Pulley, V-Type, 5L x 3.06
83	956-04015	1	S	Pulley, Variable Speed
84	683-04296	1		Bracket, Pulley
85	710-0627	1	/P	Screw, 5/16-24,.750
86	710-0778	1	/P	Screw, 1/4-20, 1.500
87	718-04261	1		Cup, Bearing
88	736-0362	1	/P	Washer, Flat
89	941-0124	1	S	Ball Bearing
90	738-04162A	1	/P	Shoulder Spacer, .8840 x .190
91	736-0242	1	/P	Washer, Bell,.340 x.872 x.060
92	712-04065	1	/P	Nut, Flange Lock, 3/8-16, GrF
93	710-04467	1		Screw, Sems, 3/8-16, 2.500
94	731-2290A	1	/P	Hub Cap
95	634-0104-0911	1	/P	Wheel Assy Comp, 20 x 8 x 8
95	734-1730-0901	1	/P	Tire Only 20 x 8 x 8 Not shown
95	634-04369-0662	1		Rim Only Not shown
95	934-0255	1	/P	Valve Stem Not shown
96	736-3010	1		Flat Washer, .407 x .812 x .135



**Used to secure slack of headlight  
harness to hood hinge**

13AX60KH011 Super Bronco (2009)  
Engine Accessories

Page 5 of 23

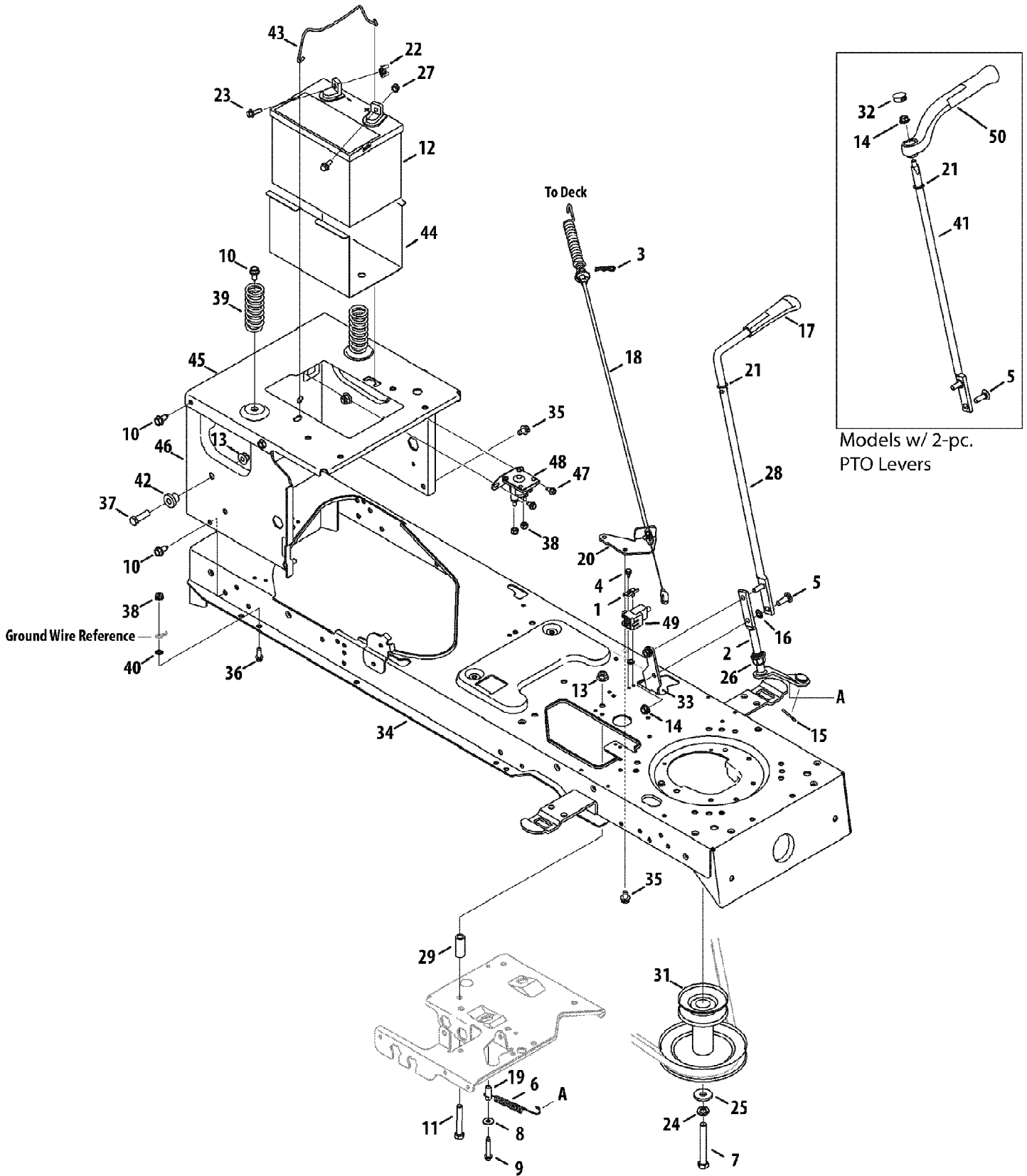
Ref #	Part Number	Qty	S/P/F	Description
1	683-04549-0637	1	/P	Shield, Muffler
2	710-0227	1	/P	Screw, #8-18, 0.500
3	710-04683	1		Screw, Hex, 3/8-16 x 1.00
5	710-0642	1	/P	Screw, Hex, 1/4-20, 0.750
7	BS-692236	1	/P	Exhaust Gasket
8	725-0157	1	/P	Cable, Tie, 3/16 x .05 x 7.4
9	726-0205	1	/P	Hose Clamp
10	728-04000	1		Rivet, Pop, .188 x .325
12	751-0564B	1	/P	Deflector, Muffler
13	751-10349	1		Fuel Line, Low Permeation
14	751-10353	1		Extension, Deflector
15	951-10517A	1	/P	Drain, Oil
16	751-11022	1		Muffler, Single Inlet
18	751-3141-14	1	/P	Extension Hose, Oil Drain



13AX60KH011 Super Bronco (2009)  
Fender, Deck Lift & Seat

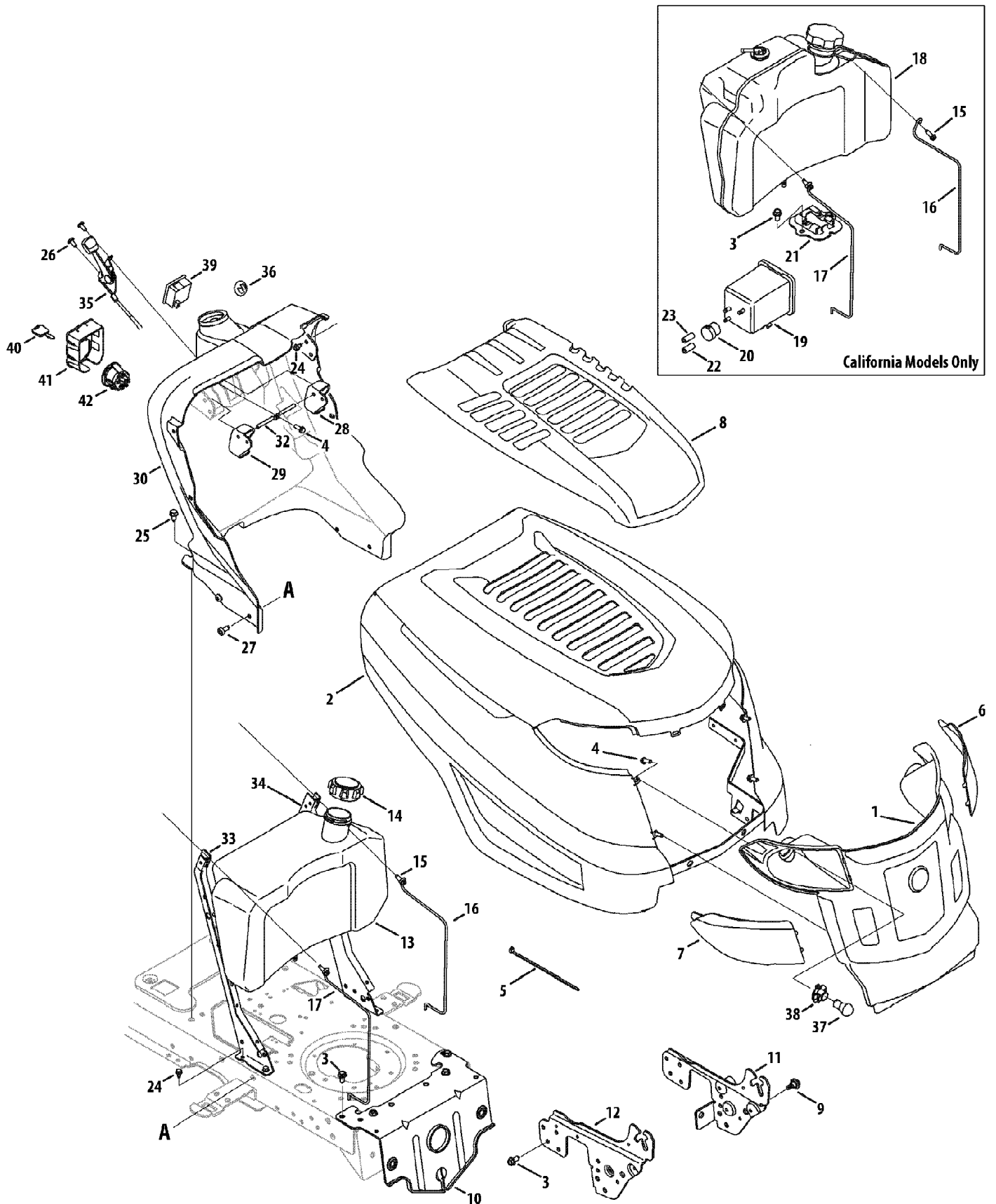
Page 7 of 23

Ref #	Part Number	Qty	S/P/F	Description
1	710-0528	1	/P	Hex Screw, 5/16-18 x 1.25
2	710-0599	1	/P	Screw, 1/4-20, 0.500
3	710-04484	1		Screw, 5/16-18, 0.750x
4	710-0895	1		Screw, 1/4-15, 0.750
5	712-04063	1	/P	Nut, Flange Lock, 5/16-18, GrF
6	731-2104C	1	S	Cover, w/ Cup Holder
7	735-0690	1		Grommet, .4375 x .750
8	736-3078	1	/P	Washer, Flat, .344 x 1.0 x.063
9	750-3310	1		Flanged Spacer
10	783-06246-0638	1		Fender (4-Style) shown
11	783-0677B-0637	1	/P	Lift Adjustment Bracket
12	731-06795	1		Lift Lever Cover
13	710-0451	1	/P	Carriage Bolt, 5/16-18 x .750
14	683-04223-0637	1	/P	Deck Lift Shaft Assembly
15	712-04065	1	/P	Nut, Flange Lock, 3/8-16, GrF
16	914-0104	1	/P	Pin, Cotter, .072 Dia. x 1.13
17	914-0111	1	/P	Pin, Cotter, 3/32, 1.0
18	716-0106A	1		Ring, E Type, .625 Dia.
19	720-0311	1		Grip, Handle, 1/2
20	732-0874	1	/P	Spring, Torsion
21	738-0138A	1	/P	Screw, 5/16-18 x.620 Gr2
22	738-04130	1		Scr., Shldr, .625 x.165, (42" Deck)
22	938-0380	1	/P	Screw, Shld, .50 x.27, (46" & 50" Deck)
23	941-0225	1	/P	Bearing, Hex Flange
24	746-0968	1		Cable, Lift, 16.16
25	747-04447	1		Handle, Lift
26	756-1154	1		Pulley, Roller
27	783-04494B-0637	1	S	Arm, Lift - RH (42" Deck) (shown)
27	783-04711B-0637	1	S	Arm, Lift - LH (42" Deck) (not shown)
27	783-04963A-0637	1		Arm, Lift (46" Deck) (not shown)
27	783-05546-0637	1	S	Arm, Lift (50" Deck) (not shown)
28	726-3046	1	/P	Ratchet Clip
29	735-0656	1		RH Foot Pad, Rubber
30	735-0657	1		LH Foot Pad, Rubber
31	757-04081	1		Medium Back Seat
31	757-04086	1		High Back Seat (not shown)
32	712-3004A	1	/P	Nut, Flange Lock, 5/16-18, Gr5
33	720-04061	1		Knob, 3/8-16
34	938-0296	1	/P	Screw, Shoulder, .437 x.268
35	783-06049-0637	1		Seat Mounting Bracket
36	783-06088-0637	1		Seat Pivot Bracket
37	783-06266-0637	1	/P	Seat Adjustment Knob Bracket





Ref #	Part Number	Qty	S/P/F	Description
1	17962	1		Plate, Switch
2	947-04036A	1	/P	Lever Assembly, Engagement
3	914-0145	1	/P	Click Pin
4	910-0224	1	/P	Screw, #10-16, 0.500
5	710-0276	1	/P	Screw, Carriage, 5/16-18, 1.00
6	732-04248	1		Extension Spring, .38 OD x 3.9 Lg
7	710-04608	1		Screw, 7/16-20, 3.25 42" Deck
7	710-04607	1		Screw, 7/16-20, 2.75 46" Deck
8	736-0173	1	/P	Washer, Flat, .28 x .74 x .063
9	710-0778	1	/P	Screw, 1/4-20 x 1.50
10	710-04484	1		Screw, 5/16-18 x 0.625
11	710-3011	1	/P	Screw, 3/8-16 x 2.25
12	925-1707D	1	/P	Battery, 190 CCA
13	712-04065	1	/P	Nut, Flange Lock, 3/8-16, GrF
14	712-3004A	1	/P	Nut, Flange Lock, 5/16-18, Gr5
15	914-0115	1	/P	Pin, Cotter, 1/8 x 1.00
16	726-0201	1		Nut, Speed, .3125 ID
17	731-2111B	1	/P	Knob, PTO
18	746-04353A	1	S	Deck Engagement Cable
19	750-0566A	1	/P	Spacer, .260 x .372 x 1.030 Lg.
20	783-05358-0637	1		Cable Bracket
21	936-0108	1	/P	Washer, Flat, .510 x .750 x .033
22	712-3087	1	/P	Nut, Wing, 1/4-20
23	738-1132	1		Screw, Shoulder, .250 x .150
24	936-0171	1	/P	Washer, Lock, 7/16
25	736-0322	1	/P	Washer, Flat, .450 x 1.250 x .164
26	741-0708	1		Bearing, Flange, Hex Split .500 ID
27	712-0271	1	/P	Nut, Sems, 1/4-20
28	747-04470	1		Engagement Handle, Deck
29	748-0415B	1	/P	Spacer, .385 ID x .635 OD x 1.54
31	756-04196A	1	/P	Pulley, Engine, 42" Deck
31	756-04207A	1	/P	Pulley, Engine, 46" Deck
32	720-0425	1		Cap Plug
33	783-0744A-0637	1	/P	Stop Bracket, Engagement
34	683-04173B-0637	1	/P	Frame Assembly, Lower
35	710-0607	1	/P	Screw, 5/16-18, 0.500
36	710-0642	1	/P	Screw, 1/4-20, 0.750
37	710-3005	1	/P	Screw, 3/8-16, 1.25, Gr5
38	712-04064	1	/P	Nut, Flange Lock, 1/4-20, GrF
39	732-04561	1		Spring, Compr., 1.71 x 3.735 x .238
40	936-0222	1	/P	Washer, Lock, 1/4, External
41	747-04855	1		Deck Engage Handle
42	738-04058	1		Spacer, Shoulder, .38 x 1.0 x .70
43	747-04121A	1		Hold Rod, Battery
44	783-0349-0637	1		Battery Tray
45	783-06089-0637	1		Seat Bracket, Frame
46	783-04809C-0637	1	/P	Frame, Upper
47	710-0599	1	/P	Screw, 1/4-20, 0.50
48	725-04439	1		Solenoid, 12V, 100 Amp
49	925-04039	1	/P	Switch, Interlock
50	647-04147	1		PTO Lever



13AX60KH011 Super Bronco (2009)  
Hood & Dash Assembly

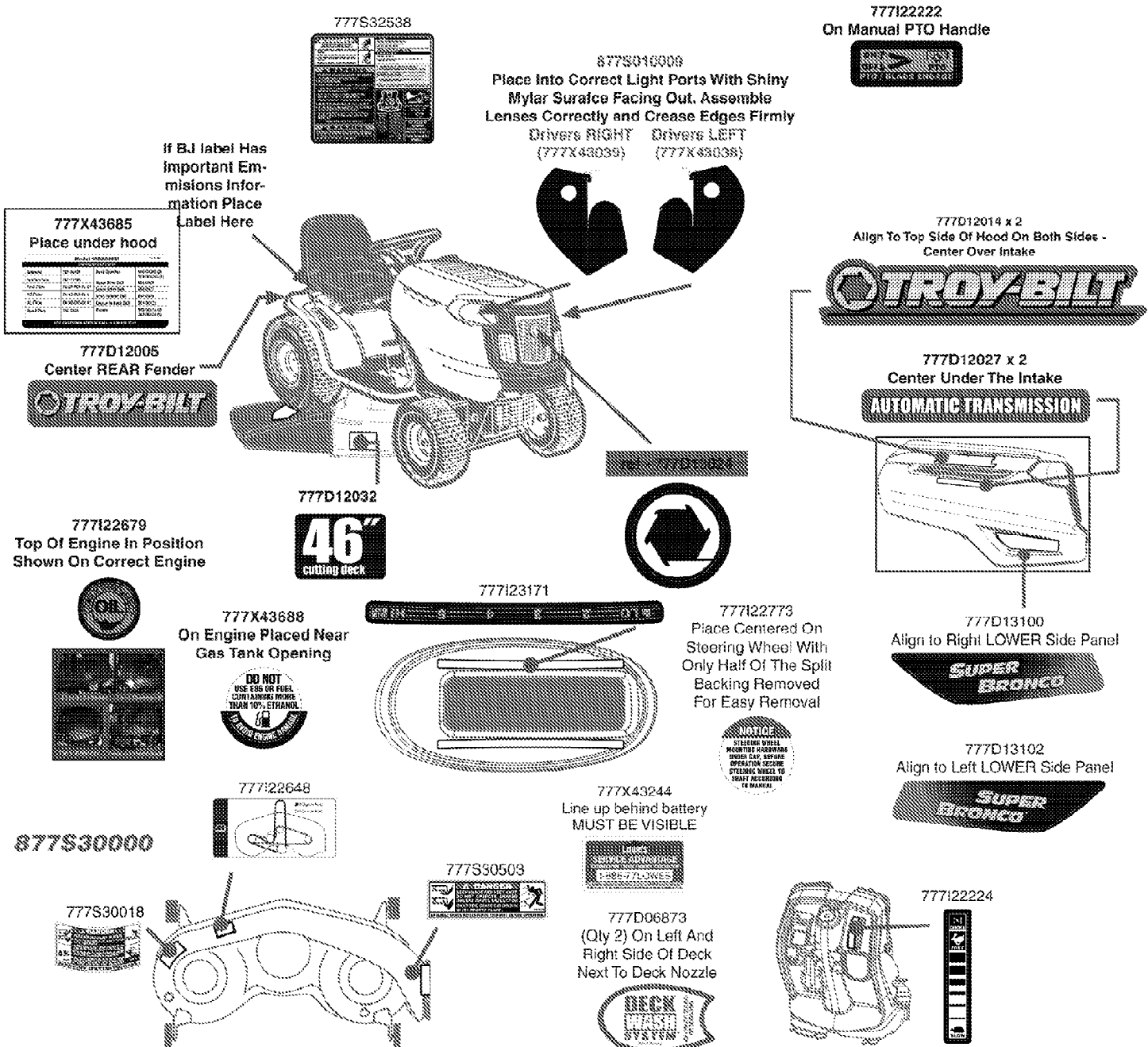
Page 11 of 23

Ref #	Part Number	Qty	S/P/F	Description
1	631-04272	1	/P	Grill Assembly
2	683-04441-0638	1		Hood, K-Style
3	710-04484	1		Screw, 5/16-18, 0.625
4	710-0895	1		Self-tapping Screw, 1/4-15 x.75
5	725-0157	1	/P	Cable Tie, 3/16 x .05 x 7.4
6	731-06095	1		Headlight Lens (LH)
7	731-06096	1		Headlight Lens (RH)
8	731-06194A	1	/P	Hood Scoop
9	738-04091A	1	/P	Shoulder Screw,.43 x.29
10	783-05326-0637	1	/P	Pivot Bar Bracket
11	783-05327B-0637	1	/P	Pivot support Bracket, LH
12	783-05328A-0637	1	/P	Pivot support Bracket, RH
13	751-10609	1		Fuel Tank, 2.5 gal.
14	751-0603A	1	/P	Fuel Tank Cap
15	710-0642	1	/P	Screw, 1/4-20, 0.750
16	747-04161	1		Gas Tank Support Rod LH
17	747-04946	1		Gas Tank Support Rod RH
18	651-04218	1		Fuel Tank, 2.5 gal. Assembly (CARB)
18	951-10587	1	/P	Fuel Cap, 2.25 ID Female
18	751-10441	1		Rollover Valve Grommet Mount
18	735-04081	1		Rubber Grommet, 23.0 ID x 3.55
18	951-10573	1	/P	Fuel Tank, 2.5 gal.
19	951-10589	1	/P	Carbon Canister California Models Only
20	951-10590	1	/P	Canister Filter Vent California Models Only
21	951-10610	1	/P	Canister Adapter Bracket California Models Only
22	951-10749	1		Fuel Line, 3/16 California Models Only
23	951-10750	1		Fuel Line, 7/32 California Models Only
24	710-0599	1	/P	Screw, 1/4-20, 0.500
25	710-0607	1	/P	Screw, 5/16-18 x 0.500
26	710-1017	1	/P	Screw, 1/4-14 x.625
27	710-1611B	1	/P	Screw, 5/16-18 x.75
28	731-04728	1		Parking Brake Button
29	731-04729	1		Cruise Control Button
30	731-06166	1		Dash Panel w/ Manual PTO
31	735-0271A	1	/P	Rubber Bumper Not Shown
32	747-1196	1		Brake/Cruise Pivot Rod
33	783-04285F-0637	1	/P	RH Dash Support Plate
34	783-04323F-0637	1	/P	LH Dash Support Plate
35	746-04364	1		Throttle/Choke Control Cable
36	731-1999	1		Choke Plug
37	925-0963	1	/P	Headlamp, 12V
38	925-1649	1	/P	Lamp Socket
39	925-04156	1	/P	Systems Ind. Monitor w/ Amtr.
40	925-1745A	1	/P	Ignition Key w/ plastic cover
41	731-05241A	1	/P	Switch Housing
42	925-04659	1	/P	Module, Ignition Switch (3 position)
	925-04227B	1	/P	Module, Ignition Switch (4 position) Not Shown
	725-04867	1		Wire Harness (no RMC - 3 Position) Not Shown, Replaces 725-04645C

13AX60KH011 Super Bronco (2009)  
Hood & Dash Assembly

Page 12 of 23

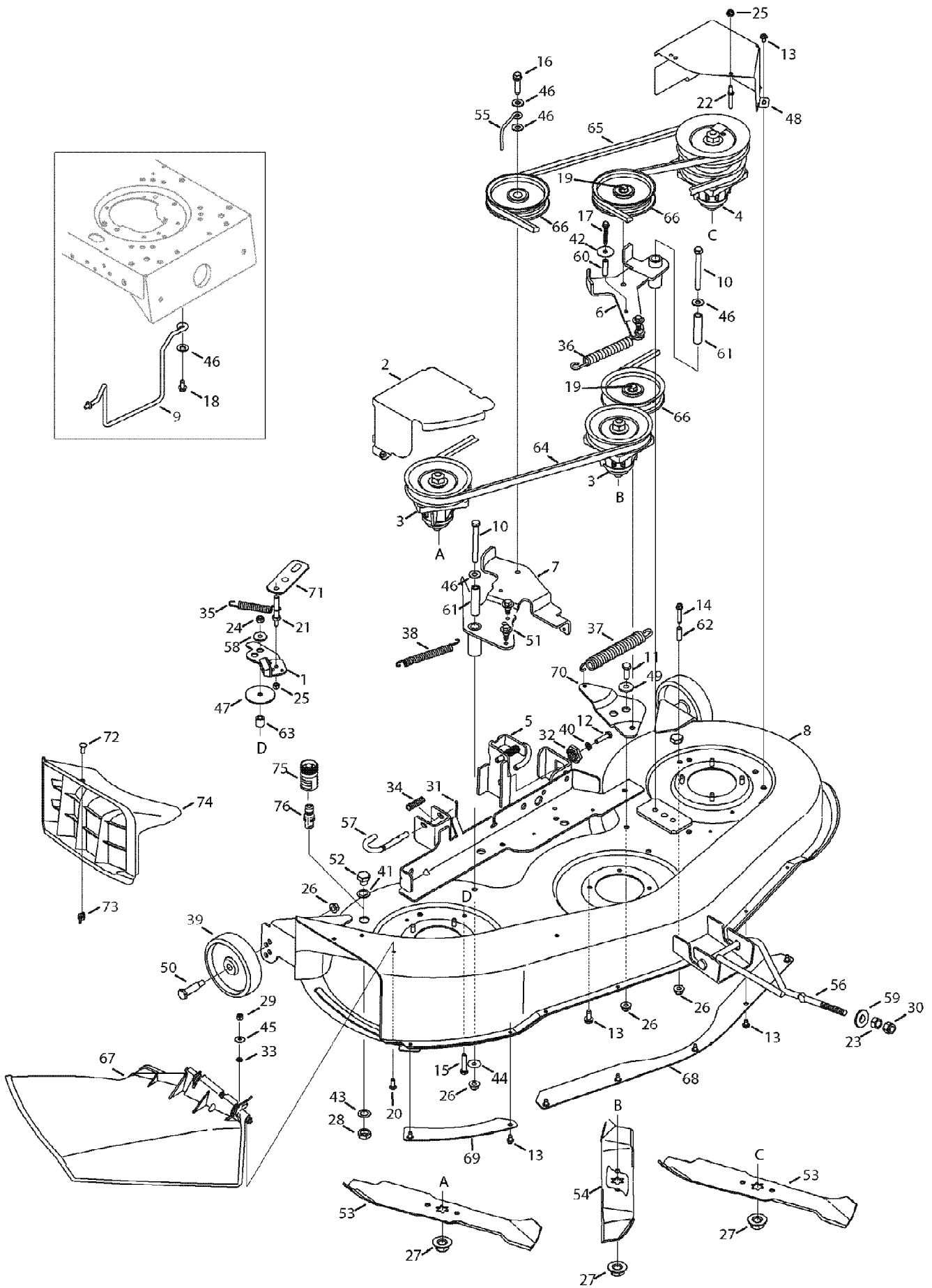
Ref #	Part Number	Qty	S/P/F	Description
	725-04864	1		Wire Harness (w/ RMC - 4 Position) Not Shown
	725-04645C	1	/P	Wire Harness (no RMC - 3 Position) Not Shown, Model 13AV60KG011 only
	725-04658	1		Harness, Jumper Not Shown, Use with 725-04645C
	929-04083B	1	/P	Harness, Headlight Not Shown, Use with 725-04645C
	777X43039	1		Headlight Lens Reflector RH Not Shown



13AX60KH011 Super Bronco (2009)  
Label Map Super Bronco

Page 14 of 23

Ref #	Part Number	Qty	S/P/F	Description
777S32538	777S32538	1		LABEL:RIDER:SAFETY 13BX60KH011
777S32538	777S32846	1		LABEL-RIDER SAFETY:CRUISE 13AX60KH001
777X43685	777X43685	1		LABEL-RIDER PARTS LIST 13BX60KH 13BX60KH011
777X43685	777X43002	1		LABEL-RIDER PARTS LIST 13AX60KH 13AX60KH001
777D12005	777D12005	1		LABEL-RIDER REAR FENDER TROY
777I22679	777I22679	1		LABEL-CHECK ENG OIL
777D12032	777D12032	1		LABEL-RIDER DECK TROY 46"
777X43688	777X43688	1		LABEL-ETHANOL
777I23171	777I23171	1		LABEL-RIDER DECK HT RT99
777S30018	777S30018	1	/P	LABEL-DECK SAFETY
777I22648	777I22648	1		LABEL-DECK BELT ROUTE
777S30503	777S30503	1	/P	LABEL-DANGER CHUTE
777D06873	777D06873	1		LABEL-DECK
777X43244	777X43244	1		LABEL-LOWE'S SERVICE ADVANTAGE 13BX60KH011
777X43244	777X41701	1		LABEL 13AX60KH001
777I22224	777I22224	1		LABEL-DASH RH
777I22773	777I22773	1		LABEL-RIDER:SECURE WHEEL
777D13024	777D13024	1		LABEL-TROYBILT/GEAR 13BX60KH011
777D13024	777D11869	1		LABEL-EMBOSSSED TROYBILT 13AX60KH001
777D13100	777D13100	1		LABEL-RIDER LOWER RH SUPER BRONCO 13BX60KH011
777D13100	777D12033	1		LABEL-RIDER HOOD K STYLE TROY 13AX60KH001
777D13102	777D13102	1		LABEL-RIDER LOWER LH SUPER BRONCO 13BX60KH011
777D13102	777D12034	1		LABEL-RIDER HOOD LH K STYLE TROY 13AX60KH001
777D12027	777D12027	1		LABEL-RIDER K STYLE HOOD AUTOTRANS
777D12014	777D12014	1		LABEL-RIDER HOOD K STYLE TROY
777X43038	777X43038	1		LABEL-RIDER K STYLE LH
777X43039	777X43039	1		LABEL-RIDER K STYLE RH
777I22222	777I22222	1		LABEL-PTO HANDLE



13AX60KH011 Super Bronco (2009)  
Mowing Deck 46 Inch

Page 16 of 23

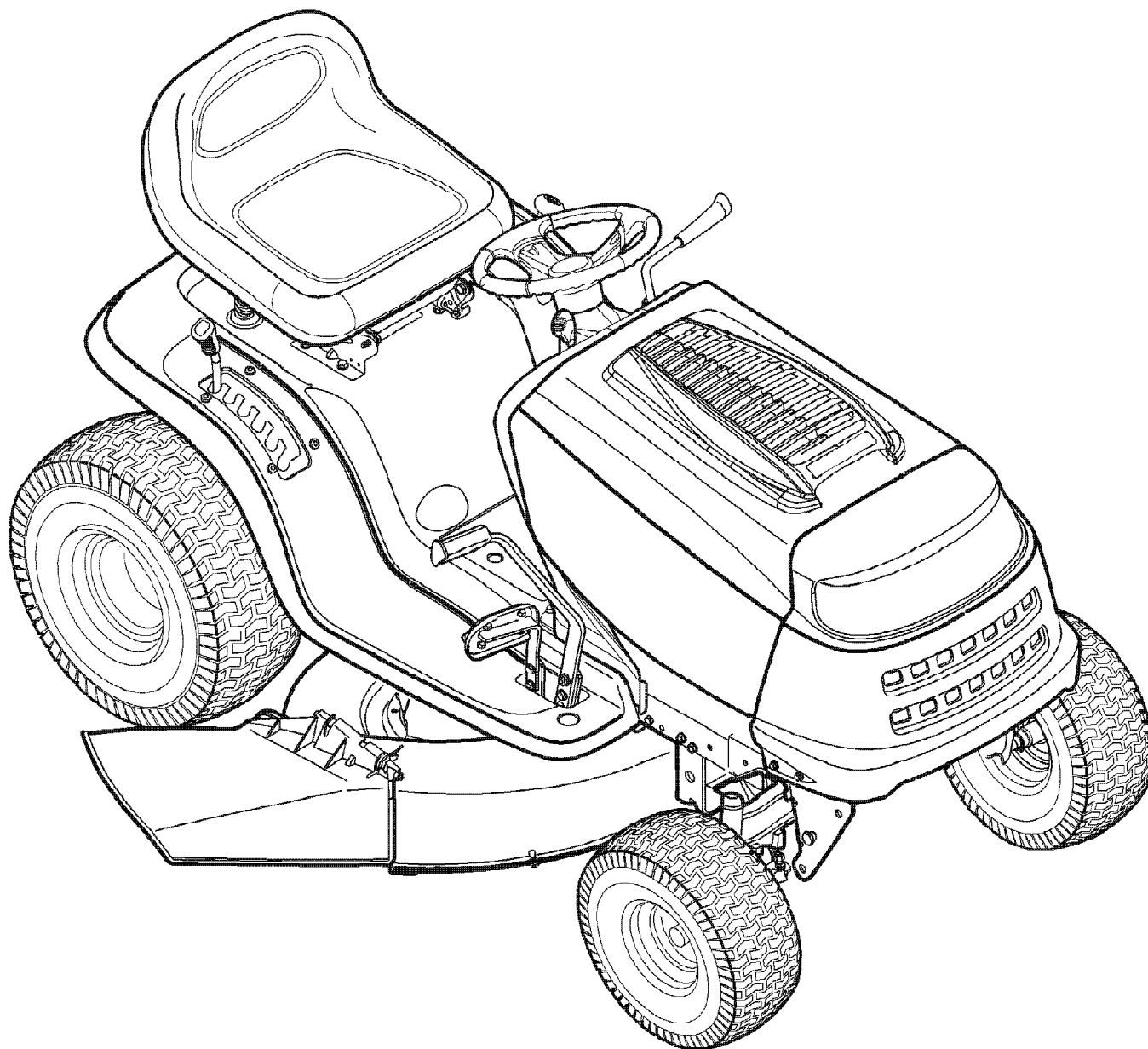
Ref #	Part Number	Qty	S/P/F	Description
1	97116	1	/P	Deck Brake Assembly
2	17258E-0637	1	/P	Deck Belt Cover RH
3	918-0430B	1	S	Spindle Assembly
3	619-04205	1		Spindle Housing with hole Not shown
3	712-0417A	1	/P	Flange Nut:5/8-18 Not shown
3	937-3000	1	/P	Grease Fitting:3/16:LNC #70:DRI Not shown
3	738-0927	1		Spindle Shaft:4.450 LG. Not shown
3	941-0919	1	/P	Ball Bearing:20x47x14:62 Not shown
3	748-0434	1		Spacer:.750 x 1.150 x .230 Not shown
3	750-04936	1		Spacer:.792 x 1.060 x 1.860 Not shown
3	756-1187	1		Deck Puley:5.00 Dia Not shown
4	918-04134C	1	S	Double Pulley Spindle Assy.
4	712-0417A	1	/P	Flange Nut:5/8-18 Not shown
4	736-0315	1	/P	Flat Washer:.760 x 1.50 X .120 Not shown
4	938-1128	1	/P	Spindle Shaft:6.58 LG. Not shown
4	941-0919	1	/P	Ball BEaring:20x47x14:62 Not shown
4	750-04440	1		Spacer:.792 x 1.060 x 1.680 Not shown
4	750-04936	1		Spacer:.792 x 1.060 x 1.860 Not shown
4	750-1304	1		Spacer:.792 x 1.060 x .400 Not shown
4	756-04094	1		Deck Pulley:5.00 Dia x .80 Not shown
4	756-1188	1		Deck Pulley:5.75 Dia Not shown
5	683-0254B-0637	1	/P	Deck Hanger Bracket Assy.
6	683-04250A-0637	1	/P	Idler Bracket Assembly LH
7	683-04251A-0637	1	/P	Idler Bracket Assembly RH
8	683-04306-0637	1	S	Deck Assembly
9	683-04414-0637	1	/P	Belt Keeper Bracket
10	710-04754	1		Hex Screw, 3/8-16 x 3.50
11	710-0514	1	/P	Hex Screw, 3/8-16 x 1.00
12	710-0528	1	/P	Hex Screw, 5/16-18 x 1.25
13	710-0599	1	/P	Screw, 1/4-20 x .50
14	710-0778	1	/P	Screw, 1/4-20 x 1.50
15	710-0805	1	/P	Hex Screw, 5/16-18 x 1.50
16	710-1007	1	/P	Sems Screw, 3/8-16 x 1.50
17	710-1026	1	/P	Screw, 1/4-20 x 1.75
18	710-04484	1		Screw, 5/16-18, .750
19	710-1315	1	/P	Screw, 3/8-16, x 1.25
20	710-3015	1	/P	Screw, 1/4-20 x .75
21	711-04636	1		Pin, 1/4-20: 3/8 x 2.685
22	911-0993	1	/P	Belt Guard Pin, 1/4 x 1.43 lg.
23	912-0206	1	/P	Hex Nut, 1/2-13
24	712-04063	1	/P	Flange Lock Nut, 5/16-18
25	712-04064	1	/P	Flange Lock Nut, 1/4-20
26	712-04065	1	/P	Flange Lock Nut, 3/8-16
27	712-0417A	1	/P	Flange Nut, 5/8-18
28	912-0641	1	/P	Hex Nut, M16-1.5
29	712-3006	1	/P	Hex Nut, 1/4-20
30	712-3083	1	/P	Hex Lock Nut, 1/2-13
31	914-0470	1	/P	Cotter Pin, 1/8 x 1.25
32	917-04074	1	/P	Deck Adjustment Gear
33	726-0233	1	/P	Push Nut, .25 ID x .50 OD
34	932-0306A	1	/P	Compression Spring .531 x 1.75
35	932-0429A	1	/P	Extension Spring, .50 x 3.97 Lg.
36	732-04400	1		Extension Spring, .75 x 6.835 Lg.



13AX60KH011 Super Bronco (2009)  
Mowing Deck 46 Inch

Page 17 of 23

Ref #	Part Number	Qty	S/P/F	Description
37	932-0594A	1	/P	Extension Spring, .91 x 7.33 Lg.
38	732-0814	1		Extension Spring, .56 x 5.52 lg.
39	734-0973	1	/P	Deck Wheel 5.0 x 1.38
40	936-0119	1	/P	Lock Washer, 5/16
41	736-0187	1	/P	Flat Washer, .64 x 1.24 x .06
42	936-0211	1	/P	Flat Washer, .285 x 1.25 x .06
43	736-0225	1	/P	Lock Washer, 5/8 Int. Tooth
44	736-0258	1	/P	Flat Washer, .385 x 1.0 x .135
45	736-0270	1	/P	Bell Washer, .265 x .75 x .062
46	936-0300	1	/P	Flat Washer, .406 x .875 x .059
47	736-0418A	1	/P	Flat Washer, .406 x .875 x .059
48	783-1348D-0637	1	/P	Deck Belt Cover LH
49	938-0347	1	/P	Shoulder Spacer, .625 ID x .169
50	938-0373	1	/P	Shoulder Bolt .496 x 1.525: 3/8-16
51	738-04091A	1	/P	Shoulder Screw .43 x .29:5/16-18
52	738-04146	1		Bolt Plug, M16 x 1.5
53	942-0611A	1	/P	Blade, 3 in 1 star, 16.28" Lg.
54	942-0612A	1	/P	Blade, 3 in 1 star, 14.88" Lg.
55	747-04530	1		Belt Keeper Rod
56	747-04645	1		Front Deck Adjustment Rod
57	747-1116	1	/P	Deck Release Handle Rod
58	748-0234	1	/P	Shoulder Spacer
59	748-04069	1		Deck Lift Pivot Cup
60	750-04456	1		Spacer, .260 x .372 x 1.420 Lg.
61	750-04999	1		Spacer, .380 x .625 x 2.515 Lg.
62	750-0566A	1	/P	Spacer, .260 x .372 x 1.030 Lg.
63	750-1320	1		Spacer, .375 x .63 x .595 Lg.
64	954-0349	1	/P	V-Belt, 79.10 Lg.
65	954-04122	1	/P	V-Belt, 90.24 Lg.
66	756-04129B	1	/P	Idler Pulley, 4.25" dia.
67	931-1032B	1	/P	Discharge Chute
68	783-0141-0637	1		Center Deck Skirt
69	783-0142-0637	1	/P	RH Deck Skirt
70	783-04641A-0637	1	/P	Idler Bracket
71	783-05321-0637	1	/P	Brake Bracket
72	710-0134	1	/P	Carriage Screw, 1/4-20 x .62
73	712-3087	1	/P	Wing Nut, 1/4-20
74	731-05264	1		Mulch Plug, 46" Deck
75	921-04041	1	/P	Water Nozzle Adapter
76	737-04003D	1	/P	Deck Water Nozzle

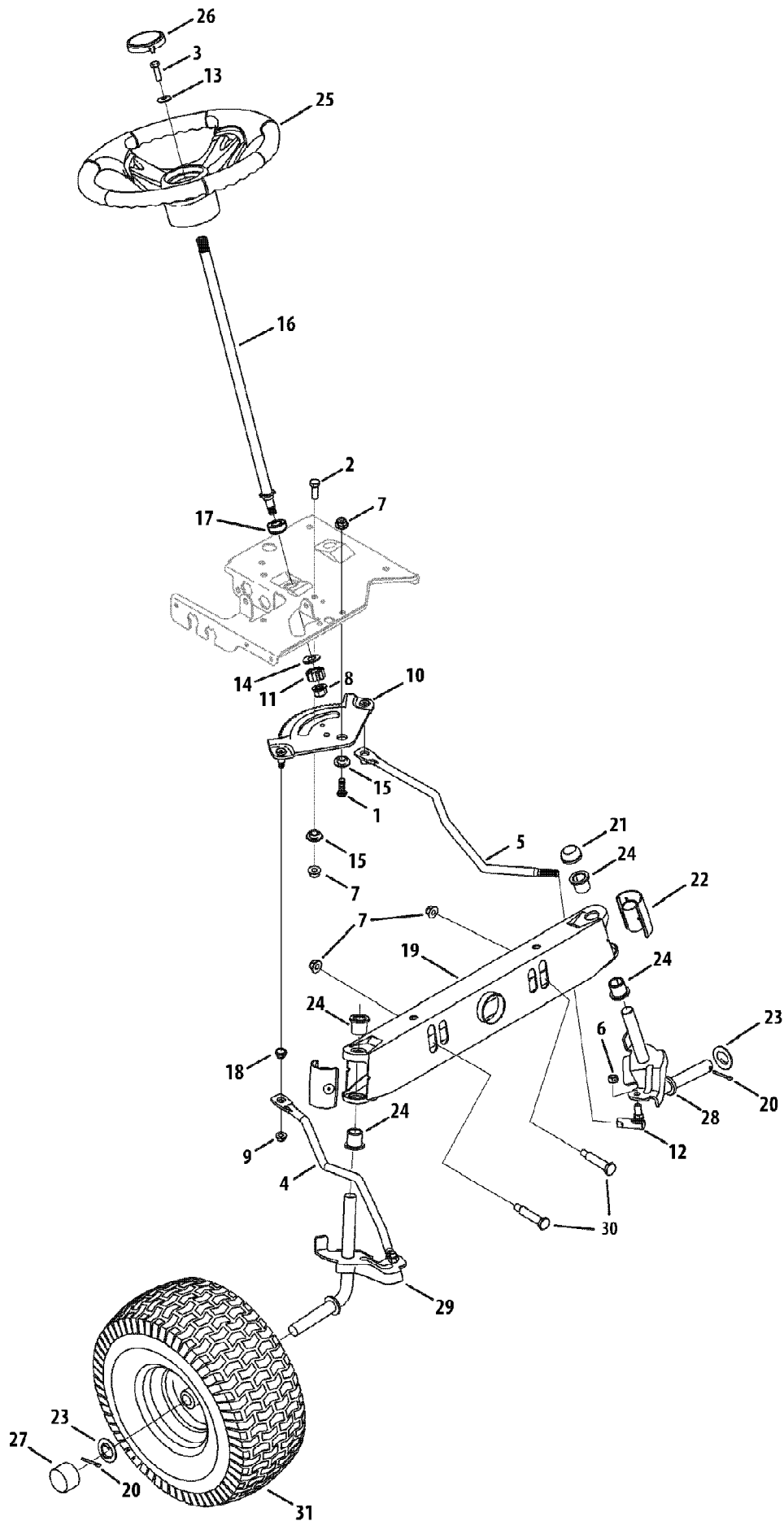


13AX60KH011 Super Bronco (2009)  
Quick Reference Super Bronco

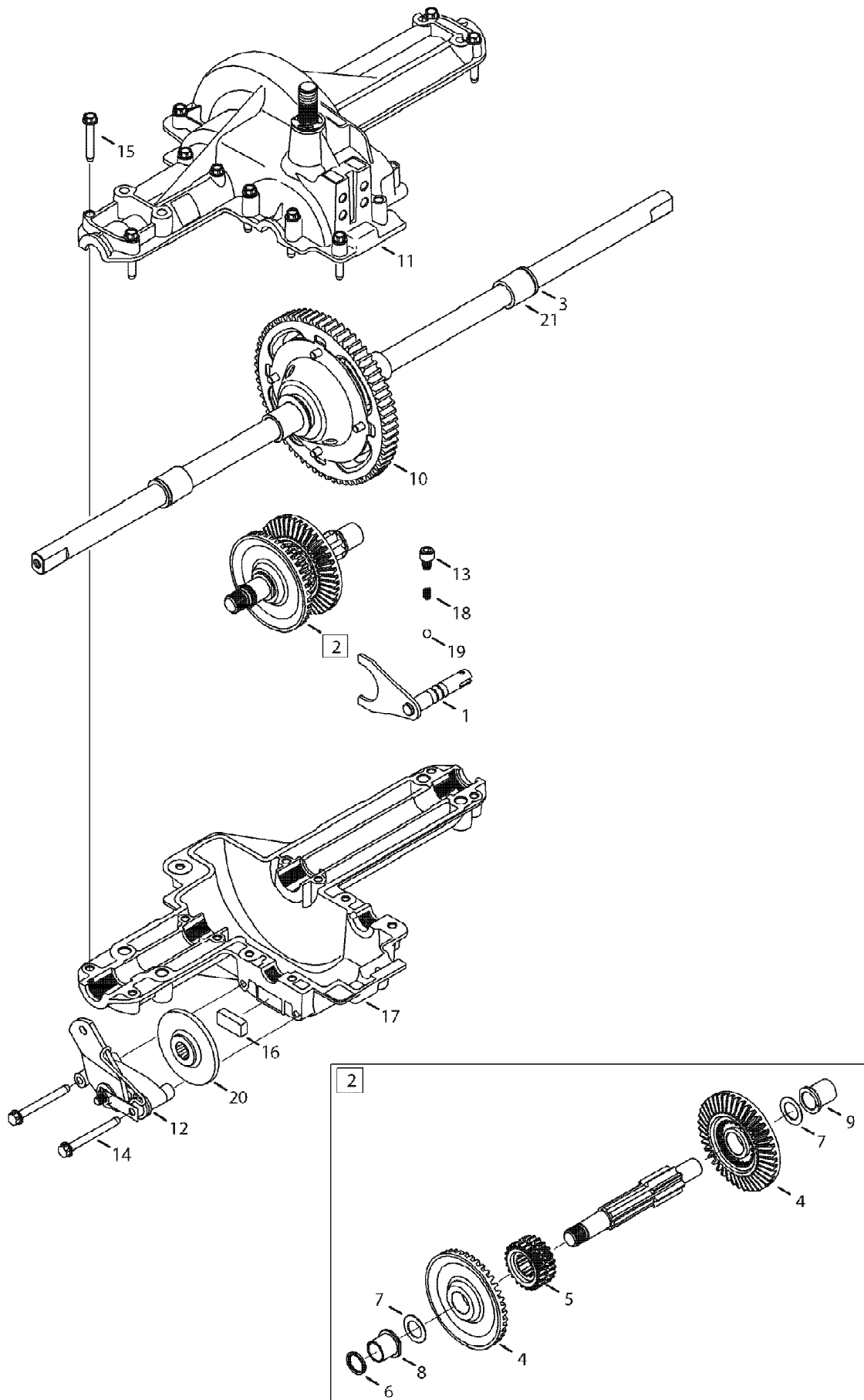
Page 19 of 23

Ref #	Part Number	Qty	S/P/F	Description
	KH-12-050-01-S	1	/P	OIL FILTER
	KH-20-883-02-S1	1	/P	AIR FILTER
	NA	1		PRE-CLEANER ELEMENT
	759-3336	1	/P	SPARK PLUG
	KH-25-050-21-S1	1	/P	FUEL FILTER
	942-0611A	1	/P	BLADES - OUTER
	942-0612A	1	/P	BLADES - INNER
	712-0417A	1	/P	BLADE NUT
	954-0468	1	/P	UPPER DRIVE BELT
	954-0467	1	S	LOWER DRIVE BELT
	954-0349	1	/P	DECK SPINDLE BELT
	954-04122	1	/P	ENGINE TO DECK BELT
	918-0430B	1	S	DECK SPINDLES - SINGLE
	918-04134C	1	S	DECK SPINDLES - DOUBLE
	925-1745A	1	/P	IGNITION KEYS
	725-04439	1		SOLENOID
	951-3111	1	S	FUEL CAP
	734-0973	1	/P	DECK WHEELS
	923-0448A	1	/P	BALL JOINTS
	741-0516B	1	/P	WHEEL BUSHINGS
	741-0990B	1	/P	WHEEL BUSHINGS In Board
	725-04363	1		SAFETY SWITCH-DECK
	925-04039	1	/P	SAFETY SWITCH-BRAKE/CLUTCH
	737-04003D	1	/P	WATER NOZZLE ADAPTER
	OEM-190-118	1		MULCH KIT Attachment
	OEM-190-182A	1	/P	BAGGER Attachment
	OEM-190-679	1	/P	BUMPER KIT Attachment

13AX60KH011 Super Bronco (2009)  
Steering & Front Axle Assembly



Ref #	Part Number	Qty	S/P/F	Description
1	710-04095	1		Hex Screw, 3/8-16, 1.00, Gr5
2	710-0514	1	/P	Hex Screw, 3/8-16, 1.00, Gr5
3	710-0643	1	/P	Hex Screw, 5/16-18, 1.00, Gr5
4	711-1408	1		Link, Drag, RH
5	711-1409A	1	/P	Link, Drag, LH
6	912-0214	1	/P	Nut, Hex Lock, 3/8-24
7	712-04065	1	/P	Nut, Flange Lock, 3/8-16, Grf
8	712-0459	1	/P	Nut, Flange Lock, 7/16-20
9	712-3004A	1	/P	Nut, Flange Lock, 5/16-18, Gr5
10	917-1550E	1	S	Gear, Steering, 11/90 Ratio
11	717-1554	1		Gear, Pinion, Steering
12	923-0448A	1	/P	Ball Joint, 7/16-20, Lock
13	936-3004	1	/P	Washer, Flat, .406 x .875 x .105
14	736-3084	1	/P	Washer, Flat, .51 x 1.12 x .06
15	738-04154	1		Spacer, Shoulder, .38 x 1.00 x .31
16	738-04263	1		Shaft, Steering, .625 OD x 24.25
17	741-04237A	1	S	Hex Flange Bearing
18	941-0475	1	/P	Plastic Bushing .380 ID
19	683-0128B-0637	1	/P	Pivot Bar Axle Assembly
20	714-0162	1	/P	Cotter Pin, 5/32 x 1.25 (Cast Axle)
21	726-0341	1	/P	Push Cap (Stamped Axle)
22	931-1291A	1	/P	Pivot Bar End Cap w/ fitting
23	736-04228A	1		Flat Washer, .781 x 1.59
24	741-0660A	1	/P	Flange Bearing
25	631-04028	1		Steering Wheel
26	731-04681	1		Steering Wheel Cap, Tine Logo
27	731-05674	1		Push Cap, 3/4
28	638-04006A-0637	1	S	LH Axle Assembly, .750 (42" Deck)
28	638-04003AP	1	/P	LH Axle Assembly, .750 (46" & 50")
29	638-04005A-0637	1	S	RH Axle Assembly, .750 (42" Deck)
29	938-04004A	1	/P	RH Axle Assembly, .750 (46" & 50")
30	738-04128	1		Shoulder Bolt, .5 x 2.38, 3/8-16
31	634-04086-0911	1	/P	Wheel Assembly Complete, 15x6
31	734-1731-0901	1	/P	Tire Only 15 x 6 x 6
31	934-04081-0662	1	/P	Rim Only w/ Valve Stem



13AX60KH011 Super Bronco (2009)  
Transmission

Page 23 of 23

Ref #	Part Number	Qty	S/P/F	Description
1	911-0011	1	/P	Detent Shaft Assembly
2	911-04091	1	/P	Drive Shaft Assy. (Incl. Ref No. 4 - 9)
3	921-0338	1	/P	Seal,.75 x 1.0 x.125
4	917-04479	1	S	Bevel Gear, 42 tooth spline
5	718-04381P	1	/P	Single Speed Clutch Collar
6	721-0213	1	/P	Seal, .625 x .812 x .094
7	936-0336	1	/P	Flat Washer 5/8 x 1 x .030 As required
7	936-0337	1	/P	Flat Washer .634 x 1 x .04 As required
7	936-0349	1	/P	Flat Washer .63 x 1 x .02 As required
7	736-0494	1		Flat Washer .632 x 1 x .035 As required
7	936-0495	1	/P	Thrust Washer 1.00 x .632 x .0 As required
8	941-0336	1	/P	Flange Bearing, 5/8 x 3/4 x 3/4
9	941-0337	1	/P	Flange Bearing, 5/8 x 3/4 x 15/16
10	918-04567A	1	S	Differential Assembly
11	919-04187	1	/P	Upper Housing
12	961-0001	1	/P	Brake Assembly
13	710-04731	1		Self-tapping Screw, 5/16-18 x .375
14	710-1206	1	/P	Self-tapping Screw, 1/4-20 x 2.375
15	710-1325	1	/P	Self-tapping Screw, 1/4-20 x 1.625
16	917-0678	1	/P	Brake Puck
17	919-04329	1	/P	Lower Housing
18	932-0863	1	/P	Compression Spring
19	741-0862	1	/P	Detent Ball
20	761-0202	1		Brake Disc
21	941-0340	1	/P	Sleeve Bearing,.75 x.1.0 x 1.0
	737-0300A	1	/P	Grease, Benalene (19 oz.) Not Shown