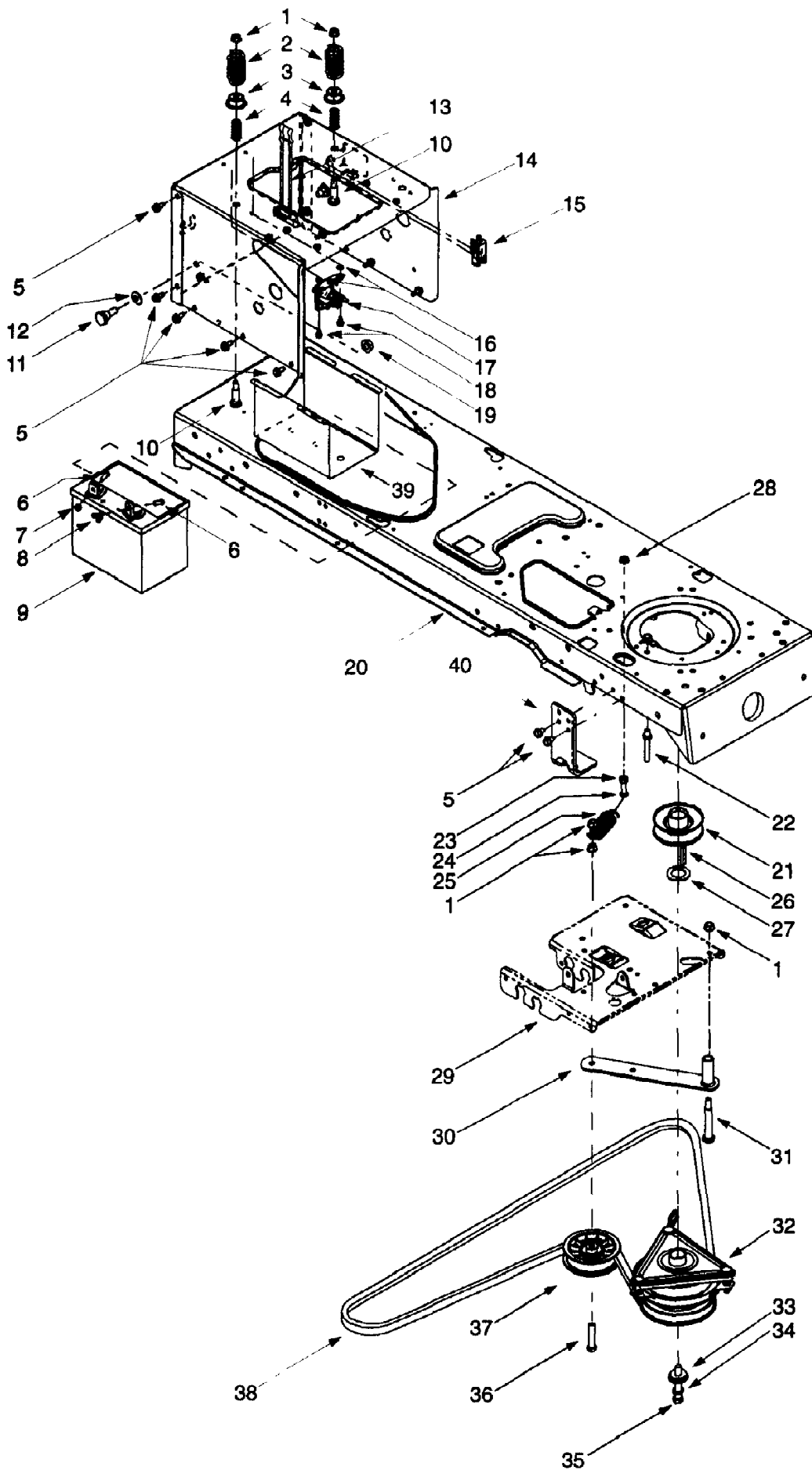


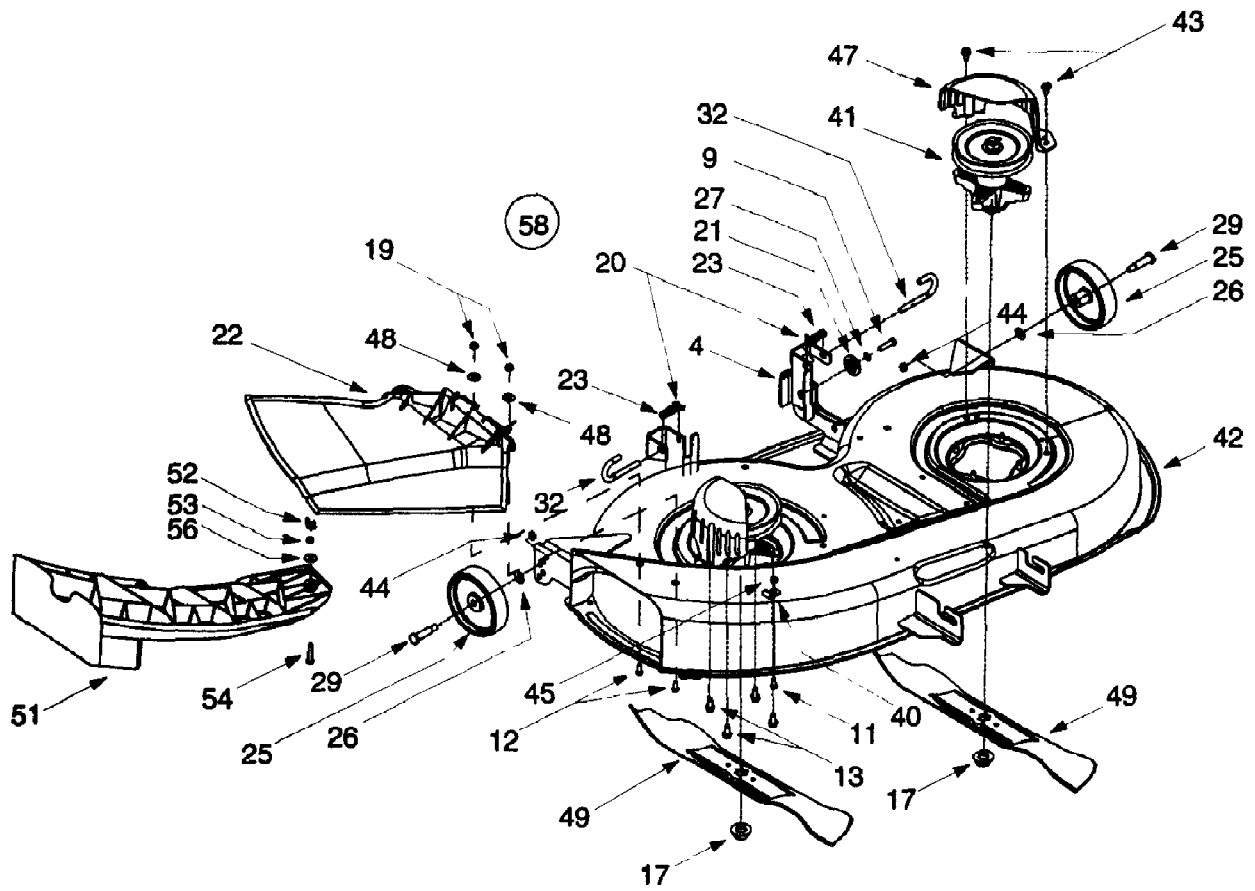
13AX604G063 (1999)  
Battery/PTO Clutch & Belt



13AX604G063 (1999)  
Battery/PTO Clutch & Belt

Page 2 of 23

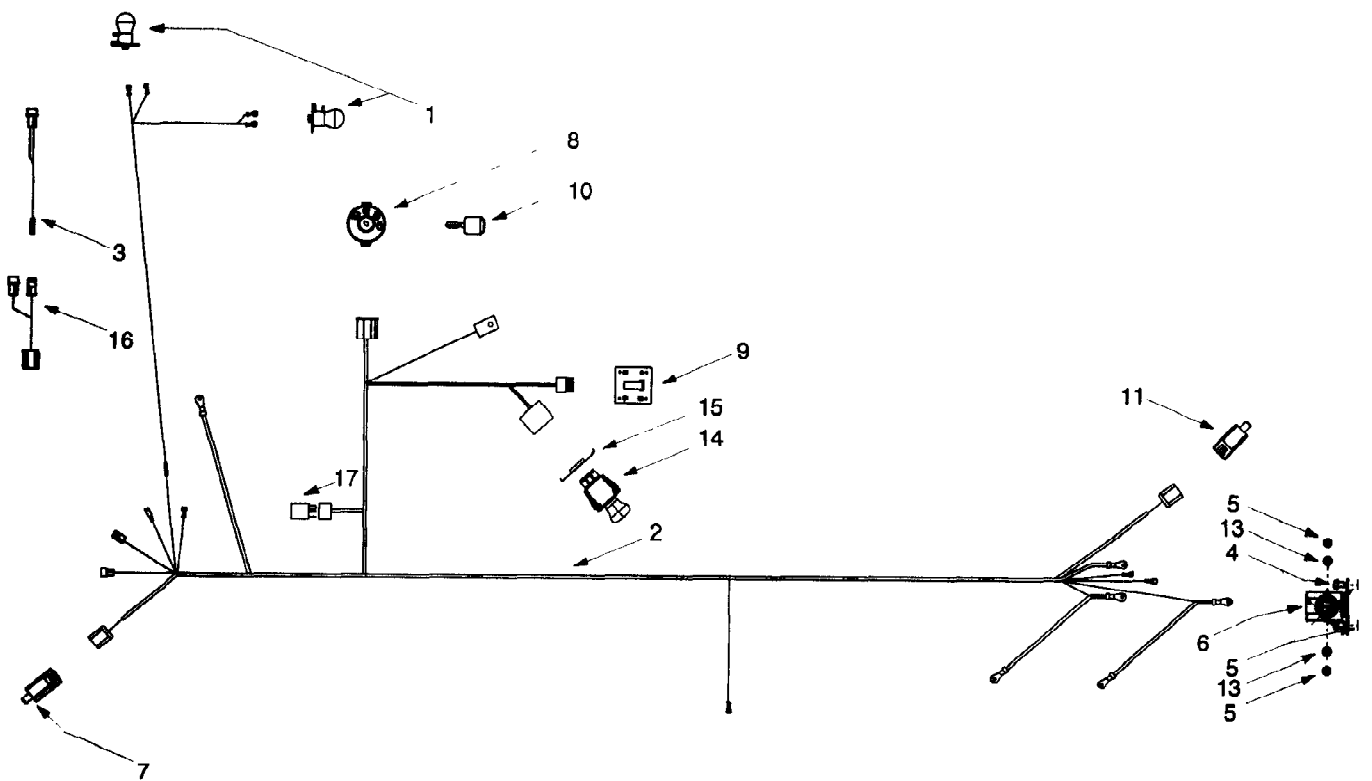
Ref #	Part Number	Qty	S/P/F	Description
1	712-0431	1	S	Range Lock Nut, 3/8-16
2	732-0735	1	/P	Compression Spring, 1.318 x 2.37
3	783-0733	1		Spacer Cup, 1.5 OD
4	732-0956	1		Compression Spring, .66 OD x 1.5
5	710-0604A	1	/P	Self Tapping Screw, 5/16-18 x .625
6	710-0751	1	/P	Hex Cap Screw, 1/4-20 x .62
7	712-0271	1	/P	Hex Sems Nut, 1/4-20
8	712-3044	1		Wing Nut, 1/4-20
9	725-1706	1	S	12-volt Battery, 270 CCA
10	738-1014	1	/P	Shoulder Screw, .5 x 1.25, 3/8-16
11	738-1020	1		Shoulder Screw, .625 x .5, 7/16-20
12	736-0407	1		Bell Washer, .45 x 1.0 x .062
13	723-0444	1		Battery Strap
14	783-0668	1		Hitch Plate
15	725-1747	1	S	Safety Interlock Plunger Switch
16	736-0222	1	S	Lock Washer, 1/4
17	725-1426	1	S	Solenoid, 12-Volt, 100 Amp
18	710-0599	1	/P	Self Tapping Screw, 1/4-20 x .5
19	712-0459	1	/P	Flange Lock Nut, 7/16-20
20	683-0263A	1		Lower Frame Assembly
21	756-0639	1	S	Engine Pulley, 3.56 OD
22	711-0640	1	S	Stud, 3/8-16 x 2.68
23	712-3010	1	S	Hex Nut, 5/16-18
24	710-3180	1	/P	Hex Cap Screw, 5/16-18 x 1.75 (Grade 5)
25	732-0978	1		Extension Spring, 1.2 OD x 3.638
26	714-0118	1	/P	Square Key, 1/4 x 1.5
27	736-0277	1		Flat Washer, 1.03 x 1.62 x .095
28	712-3004A	1	/P	Flange Lock Nut, 5/16-18
29	783-0653A	1	S	Steering Support Bracket
30	683-0293	1	S	Idler Bracket Assembly (42-inch decks)
	683-0197	1	S	Idler Bracket Assembly (46-inch decks)
31	738-3056	1	S	Shoulder Screw, 1/2 Diameter x 2.5
32	717-1708	1	S	Electric PTO Clutch
33	738-0785	1	S	Shoulder Spacer, 1.38 x .445 x .36
34	736-0171	1	S	Lock Washer, 7/16
35	710-3157	1	S	Hex Cap Screw, 7/16-20 x 3.25 (Grade 5)
36	710-3011	1	/P	Hex Cap Screw, 3/8-16 x 2.25 (Grade 5)
37	756-0627	1	S	Flat Idler Pulley, 3.5 OD
38	754-0472	1	S	PTO Belt (42-inch Decks)
	754-0476	1	S	PTO Belt (46-inch Decks)
39	783-0349	1		Battery Tray
40	783-0891	1	S	Deck Stop



Ref #	Part Number	Qty	S/P/F	Description
4	683-0254	1	S	Deck Adjustment Bracket w/Weld Nut
?6	710-0167	1	/P	Carriage Screw, 1/4-20 x .5
?7	710-0347	1	/P	Hex Cap Screw, 3/8-16 x 1.75
?8	710-0514	1	/P	Hex Cap Screw, 3/8-16 x 1.0
9	710-0528	1	/P	Hex Cap Screw, 5/16-18 x 1.25
?10	710-0599	1	/P	Self Tapping Screw, 1/4-20 x .5
11	710-0650	1	/P	Self Tapping Screw, 5/16-18 x .875
12	710-0751	1	/P	Hex Cap Screw, 1/4-20 x .62
13	710-1260A	1	/P	Self Tapping Screw, 5/16-18 x .75
?14	712-3288	1		Hex Cap Screw, 1/4-20 x 1.62
?15	712-0241	1	/P	Hex Nut, 3/8-24
?16	712-0291	1	S	Center Lock Nut, 1/4-20
17	712-0417A	1	/P	Hex Range Nut, 5/8-18
?18	712-0431	1	S	Flange Lock Nut, 3/8-16
19	712-3027	1	S	Hex Flange Lock Nut, 1/4-20
20	714-0104	1	S	Internal Cotter Pin, .072 x 1.12
21	717-1553	1	S	Deck Adjustment Gear
22	731-1032A	1	S	Side Discharge Chute Assembly
23	732-0306	1	S	Compression Spring, .406 x .531 x 1.75
?24	732-0594A	1	S	Extension Spring, .91 x 7.33
25	734-0973	1	/P	Deck Wheel, 5 x 1.38
26	736-0105	1	/P	Bell Washer, .401 x .87 x .063
27	736-0119	1	S	Lock Washer, 5/16
?28	738-0347	1	S	Shoulder Spacer, .625 x .169
29	738-0373	1	S	Shoulder Spacer, .498 x 1.53
32	747-1116	1	/P	Deck Release Pin
?33	754-0349	1	S	Deck Belt
?34	756-0627	1	S	Flat Idler Pulley, 3.5 OD
?35	783-0139	1	S	Idler Bracket
40	16606	1	S	Retainer Hook
41	618-0324	1	S	Spindle Assembly, 5.75 Dia
	756-1151	1		Pulley Only
42	683-0198	1	S	42-inch Deck Shell
43	710-0604	1	S	Self Tapping Screw, 5/16-18 x .625
44	712-0181	1	S	Top Lock Jam Nut, 3/8-16
45	712-0271	1	/P	Hex Sems Nut, 1/4-20
?46	712-3006	1	/P	Hex Nut, 1/4-20
47	731-2231	1	S	Belt Cover
48	736-0270	1	/P	Bell Washer, .265 x .75 x .062
49	742-0616	1	S	Three-in-one Blade, Star Center, 21.23
51	731-1643A	1	S	Mulch Plug, 42-inch Decks
52	712-3087	1	/P	Wing Nut, 1/4-20
53	712-0291	1	S	Center Lock Nut, 1/4-20
54	710-0106	1	/P	Hex Cap Screw, 1/4-20 x 1.25
?55	710-0578	1	/P	Screw, 1/4-20 x 1.5
56	736-0173	1	/P	Flat Washer, .28 x .74 x .063
58	753-0851	1	S	42-Inch Deck Assembly Complete (w/o mulch kit)

13AX604G063 (1999)  
Electrical

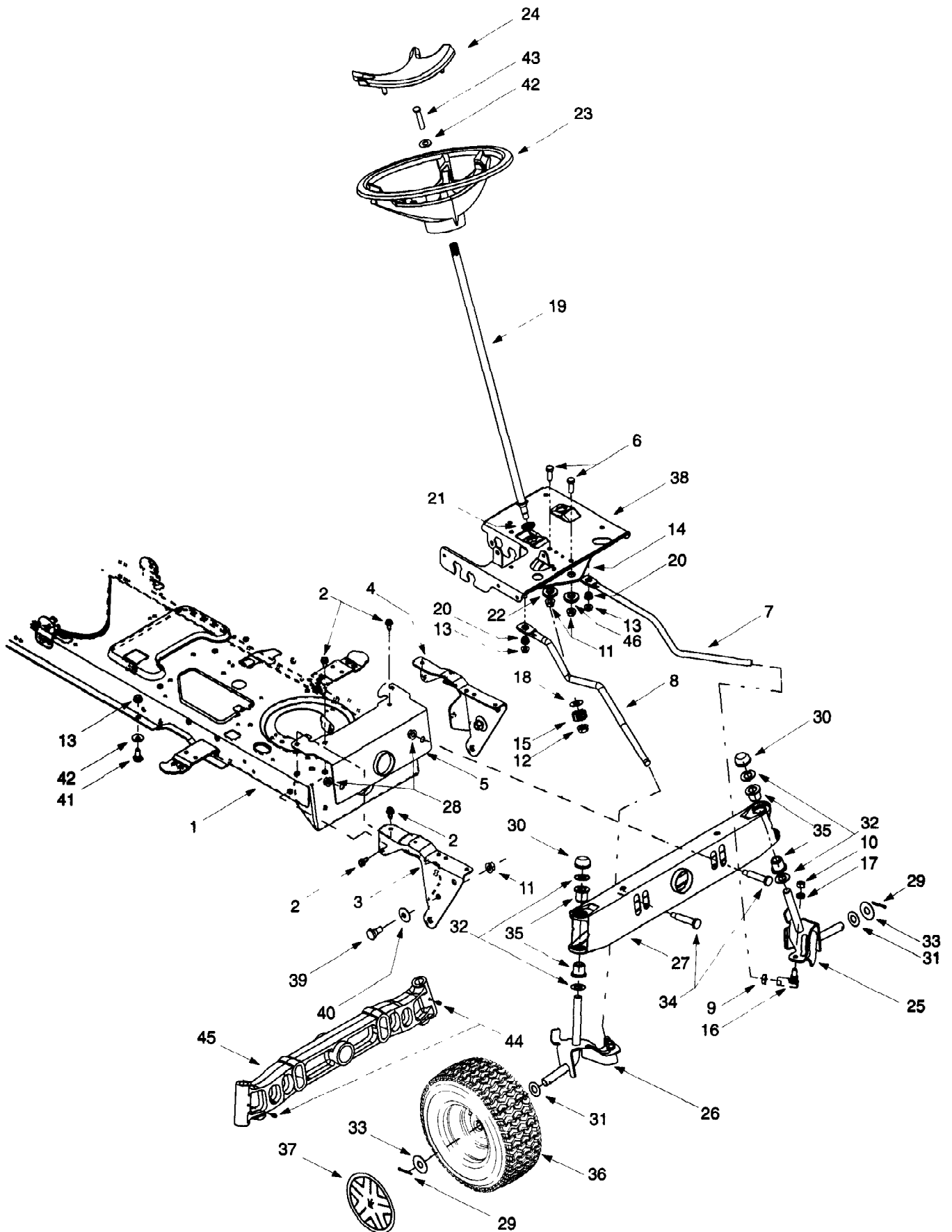
Page 5 of 23



13AX604G063 (1999)  
Electrical

Page 6 of 23

Ref #	Part Number	Qty	S/P/F	Description
1	625-0051	1	S	Bulb/Socket Headlight Assembly
	725-1739	1	S	Bulb Only
	725-1649	1	S	Socket Only
2	629-0928	1	S	Wiring Harness (Includes Ref 17)
3	629-0126	1		Alternator Adapter (For Intek engines)
4	710-0599	1	/P	Self Tapping Screw, 1/4-20 x .5
5	712-3006	1	/P	Hex Nut, 1/4-20
6	725-1426	1	S	Solenoid, 12-volt, 100 Amp
7	725-1657A	1	S	Snap Mount Safety Interlock Switch
8	725-1741	1	S	Ignition Switch
9	725-1743	1	S	Indicator Monitor / Hour Meter
10	725-1745	1	S	Ignition Key (w/ plastic cover, shown)
	725-1744	1	S	Ignition Key
11	725-1747	1	S	Safety Plunger Switch
?12	736-0222	1	S	External Lock Washer, 1/4
13	736-0329	1	S	Lock Washer, 1/4
14	725-1752	1	S	Electric PTO Switch
15	783-0462	1	/P	Retainer Bracket
16	629-0889	1	S	Alternator Adapter (For Kohler engines)
17	725-1648	1	S	Electric PTO Relay



13AX604G063 (1999)  
Frame/Axle, Front/Steering Assembly

Page 8 of 23

Ref #	Part Number	Qty	S/P/F	Description
1	683-0263	1		Lower Frame Assembly
2	710-0604	1	S	Self-tapping Screw, 16-18 x .625
3	783-0726	1	S	RH Pivot Support Bracket
4	783-0727	1	S	LH Pivot Support Bracket
5	783-0728	1		Pivot Bar Bracket
6	710-0514	1	/P	Hex Cap Screw, 3/8-16 x 1 (Grade 5)
7	711-1409	1	S	LH Drag Link
8	711-1408	1		RH Drag Link
9	712-0240	1	S	Jam Nut, 7/16-20 (Grade 2)
10	712-0241	1	/P	Hex Nut, 3/8-24 (Grade 2)
11	712-0431	1	S	Flange Lock Nut, 3/8-16
12	712-0459	1	/P	Flange Lock Nut, 7/16-20
13	712-3004A	1	/P	Flange Lock Nut, 5/16-18
14	717-1550	1	S	Steering Gear, 11/90 Ratio
15	717-1554	1		Steering Pinion Gear
16	723-0448A	1	S	Ball Joint, 7/16-20
17	736-0169	1	S	Lock Washer, 3/8
18	736-3084	1	/P	Flat Washer, .51 x 1.12 x .06
19	738-1001	1	S	Steering Shaft, .625 OD x 24.4
20	741-0475	1	S	Plastic Bushing, .38 ID
21	741-0656	1	S	Hex Flange Bearing, 5/8
22	748-0416	1		Shoulder Spacer, .38 ID
23	731-1869	1		Steering Wheel, .625 Spline
24	731-1904	1	/P	Steering Wheel Cap w/ Logo
25	638-0019	1	S	LH Axle Assembly, .625 Diameter
	638-0021	1	S	LH Axle Assembly, .625 / .750 Diameter
26	638-0020	1	S	RH Axle Assembly, .625 Diameter
	638-0022	1	S	RH Axle Assembly, .625 / .750 Diameter
27	683-0128A	1	S	Pivot Bar
28	712-0431	1	S	Flange Lock Nut, 3/8-16
29	714-0470	1	S	Cotter Pin
30	726-0214	1	/P	Push Cap, 5/8
	726-0341	1	/P	Push Cap, 3/4
31	736-0162	1	/P	Flat Washer, .64 x 1.0 x .12
32	736-0187	1	/P	Flat Washer, .64 x 1.24 x .06
	736-0316	1	S	Flat Washer, .78 x 1.59 x .06
33	736-0285	1	/P	Flat Washer, .635 x 1.589 x .06
34	738-1011	1	S	Shoulder Screw, .5 x 2.2, 3/8-16
35	741-0659	1	S	Flange Bearing, .632 ID x .937 OD
	741-0660	1	S	Flange Bearing, .760 ID x .937 OD
36	634-0105A	1	S	Wheel Assembly Complete, 15 x 6 x 6
	634-0172	1		Rim Only
	734-0255	1	S	Air Valve (Not Shown)
	734-1731	1		Tire Only, Square Shoulder
	741-0487A	1	S	Plastic Flange (Not Shown)
	741-0706	1	S	Plastic Flange w/ Fitting (Not Shown)
37	734-1787A	1		Hub Cap, Yellow w/ Spring Logo
	727-0425A	1	S	Spring Clip (Not Shown)
38	783-0653	1	S	Steering Support Bracket
39	738-1020	1		Shoulder Screw, .625 x .50, 7/16-20
40	736-0331	1	/P	Bell Washer, .39 x 1.13 x .062
41	738-0140	1	S	Shoulder Screw, .435 x .178, 5/16 x .56
42	736-0242	1	/P	Bell Washer, .34 x .872

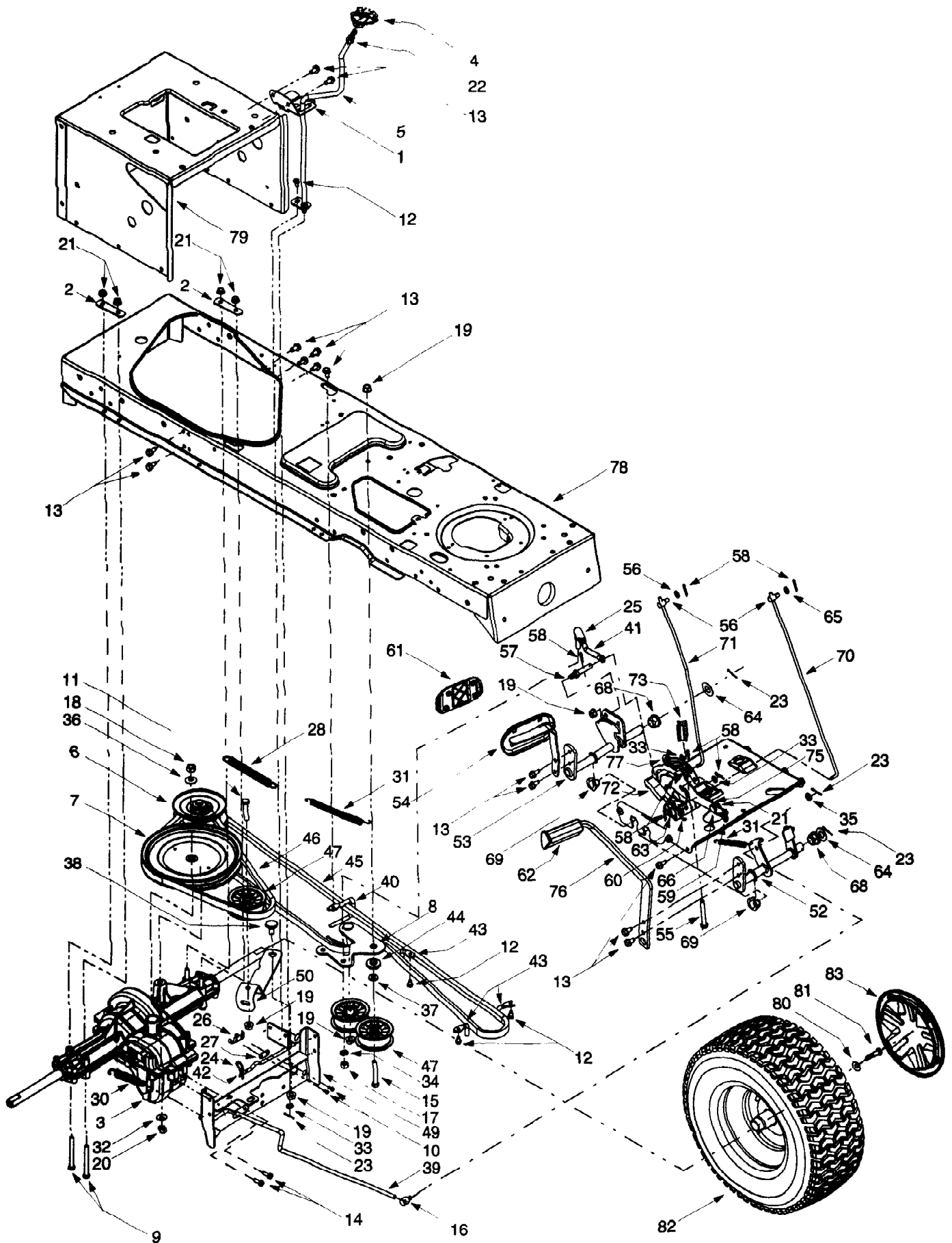


13AX604G063 (1999)  
Frame/Axle, Front/Steering Assembly

Page 9 of 23

Ref #	Part Number	Qty	S/P/F	Description
43	710-0643	1	/P	Hex Bolt, 5/16-18 X 1
44	737-3000	1	S	Grease Fitting (If so equipped)
45	719-0525A	1	S	Cast Iron Pivot Bar (If so equipped)
46	738-0372	1	S	Shoulder Spacer, .38

13AX604G063 (1999)  
Frame/Wheels, Rears/Drive



Ref #	Part Number	Qty	S/P/F	Description
1	17839	1	S	Shift Lever Bracket
2	17840	1	S	Transaxle Mounting Bracket
3	618-0386	1	S	Single-speed Transmission Assembly
4	631-0009	1	S	Shifter Knob
5	647-0041	1	S	Shift Lever
6	656-0048	1	S	Variable-speed Pulley Assembly
7	656-0051	1	S	Transmission Pulley, 8.5 x .5-36
8	683-0251	1		Double-idler Bracket
9	710-0189	1	/P	Hex Cap Screw, 5/16-18 x 3
10	710-0227	1	/P	Self Tapping Screw, #8-18 x .5
11	710-0347	1	/P	Hex Cap Screw, 3/8-16 x 1.75
12	710-0599	1	/P	Self Tapping Screw, 1/4-20 x .5
13	710-0604	1	S	Self Tapping Screw, 5/16-18 x .625
14	710-0642	1	/P	Self Tapping Screw, 1/4-20 x .75
15	710-3011	1	/P	Hex Cap Screw, 3/8-16 x 2.25
16	711-0677	1	S	Ferrule, 5/16-18
17	712-0241	1	/P	Hex Nut, 3/8-24
18	712-0378	1	/P	Hex Nut, 7/16-20
19	712-0431	1	S	Flange Lock Nut, 3/8-16
20	712-0798	1	/P	Hex Nut, 3/8-16
21	712-3004A	1	/P	Flange Lock Nut, 5/16-18
22	712-3008	1	S	Jam Nut, 3/8-16
23	714-0111	1	S	Cotter Pin
24	714-0149B	1	S	Internal Cotter Pin
25	723-0156	1	S	Ball Joint, 3/8-24
26	725-1644	1		Short Spring Switch
27	726-0320	1	S	Insulator Nut Plate
28	732-0384	1	S	Extension Spring, .62 Dia. x 6.12
?29	732-0525	1		Compression Spring Clip
30	732-0716	1	S	Extension Spring, .59 OD x 4
31	732-0963	1		Extension Spring, .50 Dia. x 6.37 (Hooks to flange, 783-0650, in frame)
32	736-0105	1	/P	Bell Washer, .401 x .87 x .063
33	736-0140	1	S	Flat Washer, .385 x .62 x .063
34	736-0109	1	S	Lock Washer, 3/8
35	736-0275	1	S	Flat Washer, 5/16
36	736-0407	1		Bell Washer, .45 x 1.0 x .602
37	736-3010	1		Flat Washer, .407 x .812 x .135
38	738-0322	1	S	Shoulder Screw, .625 x .217
39	747-1122	1		Brake Rod
40	747-1123	1	S	Belt Guard
41	747-1127	1		Idler Adjustment Rod, 3/8
42	747-1156	1	S	Shift Rod
43	747-1160	1		Belt Guard Rod
44	748-0416	1		Shoulder Spacer, .38 ID
45	754-0467	1	S	Variable-speed Belt
46	754-0468	1	S	Drive Belt
47	756-0981	1	S	Flat Idler, 2.75 OD
?48	783-0637	1	S	Shift Lever Support
49	783-0667	1	S	Transmission Torque Bracket
50	783-0669	1	S	Idler Bracket
?51	783-0714	1	S	Adjustable Shift Bracket
52	647-0031	1	S	Brake Control Assembly

13AX604G063 (1999)  
Frame/Wheels, Rears/Drive

Page 12 of 23

Ref #	Part Number	Qty	S/P/F	Description
53	647-0032	1	S	Speed Control Assembly
54	683-0266	1		Auto Drive Pedal Assembly
55	710-1135	1		Self Tapping Screw, 5/16-18 x 2.5
56	711-0736	1	/P	Ferrule, 1/4-20
57	711-1363	1		Pin, 3/8-16 x 2.43
58	714-0104	1	S	Cotter Pin
59	732-0437	1		Compression Spring,,34 OD x 1.0
60	732-0955	1		Extension Spring, .50 OD x 1.41
61	735-0662	1		Auto Drive Pedal Pad
62	735-3049	1	S	Brake Pedal Pad
63	736-0140	1	S	Flat Washer, .281 x .5 x .0625
64	736-0187	1	/P	Flat Washer, .64 x 1.24 x .06
65	736-0204	1	/P	Flat Washer, .344 x .062 x .03
66	738-0155	1	S	Shoulder Screw, .437 x 1.62
?67	738-0507B	1	S	Shoulder Screw, .5 x .434
68	741-0225	1	S	Hex Flange Bearing
69	741-3065A	1	S	Split Hex Flange Bearing
70	747-1137	1		Cruise Control Rod
71	747-1138	1		Brake Lock Control Rod
72	748-0413	1		Cruise Latch
73	748-0415	1	S	Spacer, 5/16 x 1.54
?74	783-0653	1	S	Steering Support Bracket
75	783-0732	1	S	Auto Drive Lockout Bracket
76	783-0773	1		Brake Pedal
77	783-0780	1	S	Neutral Return Bracket
78	683-0263	1		Lower Frame Assembly
79	783-0668	1		Hitch Plate
80	736-0242	1	/P	Bell Washer, .34 x .872
81	710-0627	1	/P	Hex Cap Screw, 5/16-24 x .75
82	634-0177	1	/P	Wheel Assembly Complete, 20 x 10 x 8
	634-0104	1		Wheel Assembly Complete, 20 x 8 x 8
	634-0077	1		Rim Only
	734-0255	1	S	Air Valve (Not Shown)
	734-1873	1		Tire Only, 20 x 10 x 8, Square Shoulder
	734-1730	1		Tire Only, 20 x 8 x 8, Square Shoulder
83	734-1788A	1	S	Hub Cap, Yellow w/ Sprig Logo
	727-0425A	1	S	Spring Clip (Not Shown)
	783-0650	1		Flange



13AX604G063 (1999)  
Hood Style/Fuel Tank

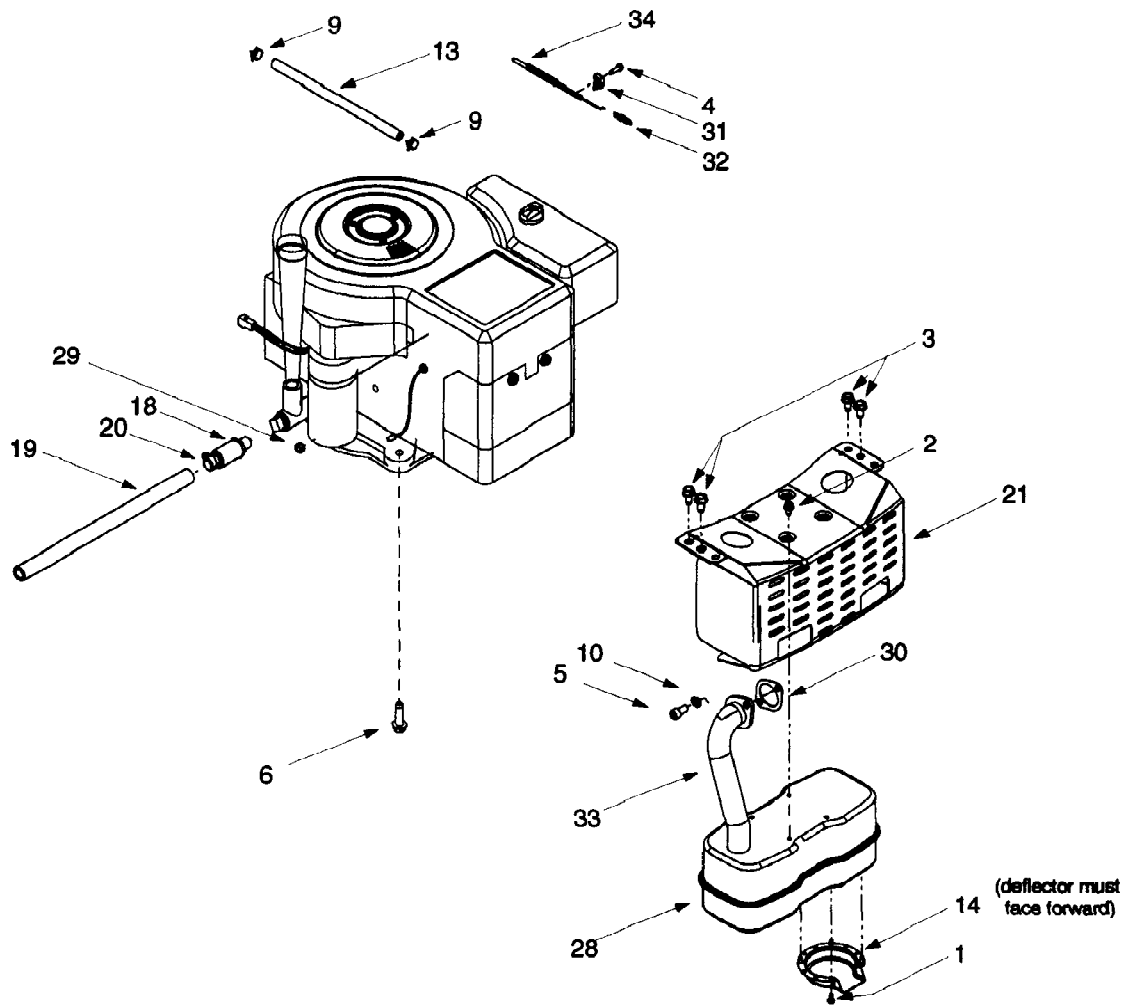
Page 14 of 23

Ref #	Part Number	Qty	S/P/F	Description
1	710-0788	1	/P	Self Tapping Screw, 1/4-20 x 1.0
2	710-0599	1	/P	Self Tapping Screw, 1/4-20 x .5
3	710-0751	1	/P	Hex Cap Screw, 1/4-20 x .62
4	710-0895	1		Self Tapping Screw, 1/4-15 x .75
?5	710-0924	1	/P	Pan Phillips Screw, 1/4-20 x .75
6	710-3008	1	/P	Hex Cap Screw, 5/16-18 x .75
?7	712-0292	1	/P	U-type Speed Nut, 1/4-20
8	712-3004A	1	/P	Flange Lock Nut, 5/16-18
9	712-3027	1	S	Hex Flange Lock Nut, 1/4-20
10	725-1649	1	S	Head Lamp Socket
?11	731-1978	1	S	RH Head Light Lens
12	731-1979	1	S	LH Head Light Lens
13	731-2238	1	S	Hood, 4-style Red
14	753-0859	1		RH & LH Side Panels, 4-style Red, Kit
15	753-0859	1		LH & RH Side Panels, 4-style Red, Kit
16	731-1995	1		LH Head Light Reflector
?17	731-1996	1	S	RH Head Light Reflector
18	736-0173	1	/P	Flat Washer, .28 x .74 x .063
19	736-3078	1	/P	Flat Washer, .349 x 1.0 x .063
20	747-1132	1	S	Hood Support Rod
21	783-0808	1	S	Heat Shield, 4-style
22	710-0604A	1	/P	Self Tapping Screw, 5/16-18 x .625
23	710-1017	1	/P	Torx Self Tapping Screw, 1/4-14 x .625
24	710-3217	1	/P	Torx Screw, #8-32 x .375
25	712-0142	1	/P	Hex Nut, 8-32
26	731-0071	1	S	Dash Panel, 4-style
27	731-0072	1		Parking Brake Button
28	731-1857	1		Throttle Control Lever
29	731-2106	1		Cruise Control Button
30	747-1155	1		Brake/Cruise Pivot Rod
31	749-1087	1	S	Dash Support Tube
32	731-2232	1	S	Intake Bellow (Kohler and Intek Single)
	731-2234	1	S	Intake Bellow (Intek Twin)
33	751-0603	1	S	Fuel Cap (For Two Gallon Tank, Shown)
	751-0649	1		Fuel Cap (For Three Gallon Tank)
34	751-0659	1	S	Fuel Tank (Two Gallon, Shown)
	751-0658	1		Fuel Tank (Three Gallon)
35	725-1745	1	S	Ignition Key
36	746-1084	1	S	Choke/Throttle Cable (Intek Single)
	746-1085	1	S	Choke Cable (Intek Twin)
	746-1088	1	S	Choke Cable (Kohler)
37	725-1752	1	S	Electric PTO Switch

13AX604G063 (1999)

Page 15 of 23

Muffler/Engine Accessories Briggs & Stratton Intek Single



## Muffler/Engine Accessories Briggs &amp; Stratton Intek Single

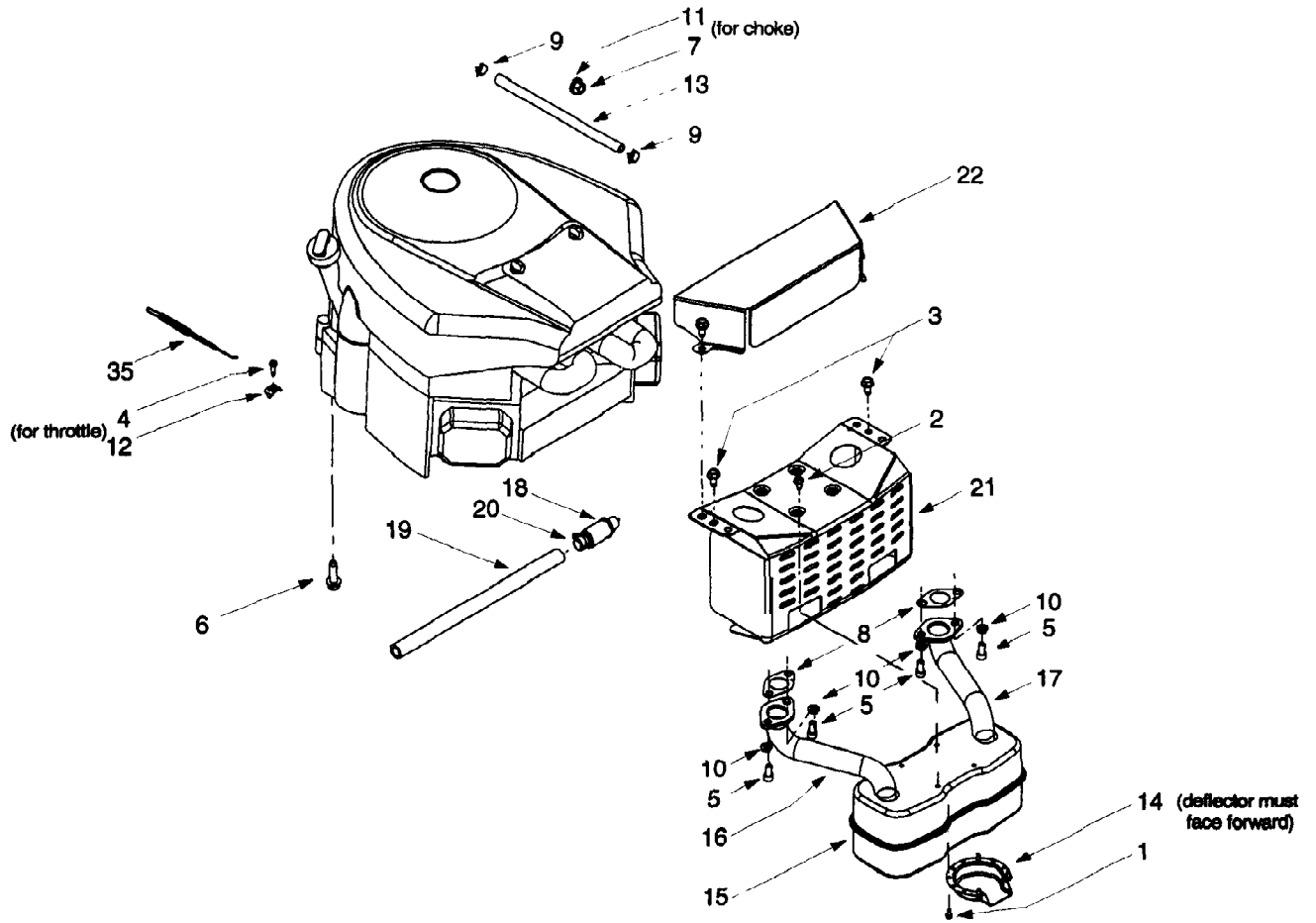
Ref #	Part Number	Qty	S/P/F	Description
1	710-0148	1	/P	Self Tapping Screw, #8-32 x .375
2	710-0599	1	/P	Self Tapping Screw, 1/4-20 x .5
3	710-0604	1	S	Self Tapping Screw, 5/16-18 x .625
4	710-1237	1		Screw, #10-32 x .625
5	710-1314	1	S	Socket Cap Screw, 5/16-18 x .625
6	710-1315	1	/P	Self Tapping Screw, 3/8-16 x 1.25
?7	712-0798	1	/P	Hex Nut, 3/8-16
?8	721-0460	1		Exhaust Gasket (Intek Twin)
9	726-0205	1	/P	Hose Clamp
10	736-0119	1	S	Lock Washer, 5/16
?11	736-0221	1	/P	Flat Washer, 3/8 x .56 x .018
?12	751B221535	1	/P	Casing Clamp
13	751-0535	1		Fuel Line Hose
14	751-0564	1	S	Muffler Deflector
?15	751-0616	1	S	Muffler, Twin Inlet
?16	751-0650	1	S	RH Exhaust Pipe (Intek Twin)
?17	751-0651	1	S	LH Exhaust Pipe (Intek Twin)
18	751-3140	1	S	Oil Drain Valve
19	751-3141	1	S	Oil Drain Hose
20	751-3142	1		Oil Drain Cap
21	783-0615	1	S	Muffler Heat Shield
?22	783-0625A	1	S	Engine Heat Shield
?23	710-3206A	1	/P	Hex Cap Screw, M8-1.25 x 25
?24	712-3086	1	/P	Flange Nut, M8-1.25
?25	721-0375	1	S	Exhaust Gasket (Kohler)
?26	736-0607	1	/P	External Lock Washer, 5/16
?27	751-0621	1	S	Exhaust Pipe (Kohler)
28	751-0617	1	S	Muffler, Single Inlet
29	712-0271	1	/P	Hex Sems Nut, 1/4-20 (For starter cable)
30	721-0208	1	S	Exhaust Gasket (Intek Single)
31	732-0966	1		Extension Spring, .275 x 1.25
32	751B213146	1	/P	Casing Clamp
33	751-0619	1	S	Exhaust Pipe (Intek Single)
34	746-1084	1	S	Throttle/Choke Cable (Intek Single)
?35	746-1086	1	S	Throttle Cable (Intek Twin)
?36	746-1087	1	S	Throttle Cable (Kohler)



13AX604G063 (1999)

Page 17 of 23

Muffler/Engine Accessories Briggs & Stratton Intek Twin



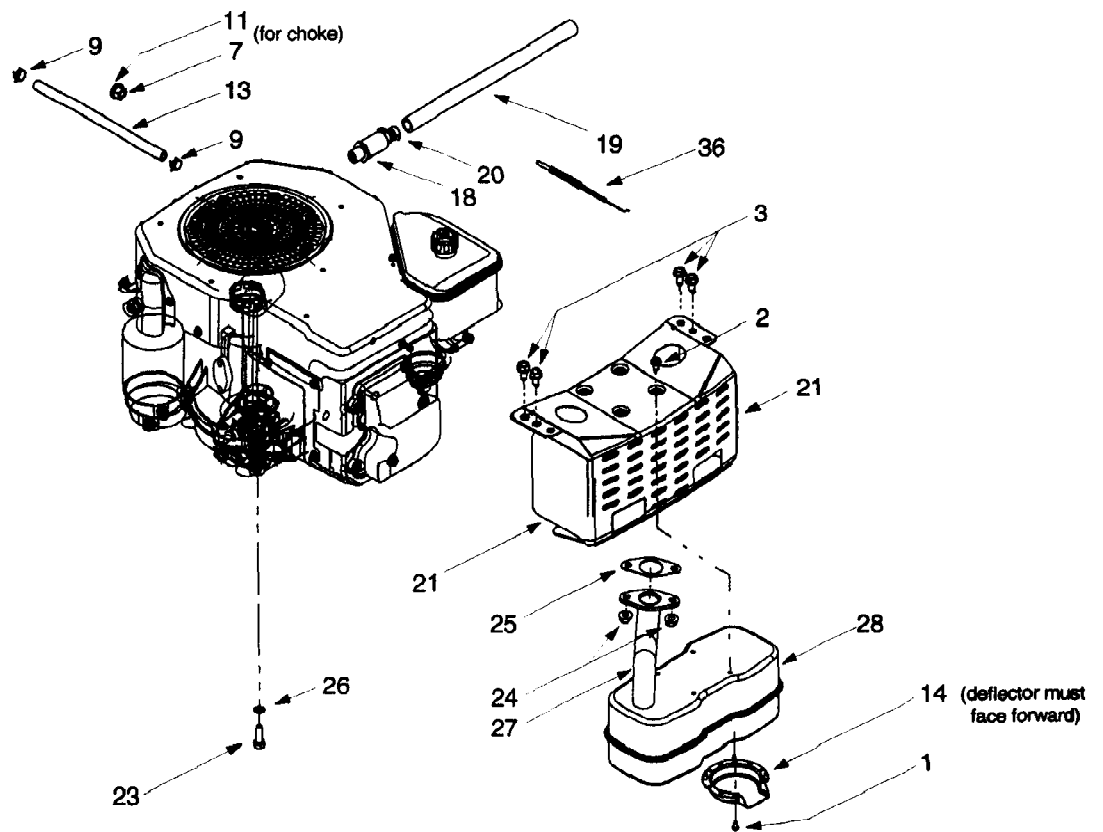
13AX604G063 (1999)

Page 18 of 23

Muffler/Engine Accessories Briggs &amp; Stratton Intek Twin

Ref #	Part Number	Qty	S/P/F	Description
1	710-0148	1	/P	Self Tapping Screw, #8-32 x .375
2	710-0599	1	/P	Self Tapping Screw, 1/4-20 x .5
3	710-0604	1	S	Self Tapping Screw, 5/16-18 x .625
4	710-1237	1		Screw, #10-32 x .625
5	710-1314	1	S	Socket Cap Screw, 5/16-18 x .625
6	710-1315	1	/P	Self Tapping Screw, 3/8-16 x 1.25
7	712-0798	1	/P	Hex Nut, 3/8-16
8	721-0460	1		Exhaust Gasket (Intek Twin)
9	726-0205	1	/P	Hose Clamp
10	736-0119	1	S	Lock Washer, 5/16
11	736-0221	1	/P	Flat Washer, 3/8 x .56 x .018
12	751B221535	1	/P	Casing Clamp
13	751-0535	1		Fuel Line Hose
14	751-0564	1	S	Muffler Deflector
15	751-0616	1	S	Muffler, Twin Inlet
16	751-0650	1	S	RH Exhaust Pipe (Intek Twin)
17	751-0651	1	S	LH Exhaust Pipe (Intek Twin)
18	751-3140	1	S	Oil Drain Valve
19	751-3141	1	S	Oil Drain Hose
20	751-3142	1		Oil Drain Cap
21	783-0615	1	S	Muffler Heat Shield
22	783-0625A	1	S	Engine Heat Shield
?23	710-3206A	1	/P	Hex Cap Screw, M8-1.25 x 25
?24	712-3086	1	/P	Flange Nut, M8-1.25
?25	721-0375	1	S	Exhaust Gasket (Kohler)
?26	736-0607	1	/P	External Lock Washer, 5/16
?27	751-0621	1	S	Exhaust Pipe (Kohler)
?28	751-0617	1	S	Muffler, Single Inlet
?29	712-0271	1	/P	Hex Sems Nut, 1/4-20 (For starter cable)
?30	721-0208	1	S	Exhaust Gasket (Intek Single)
?31	732-0966	1		Extension Spring, .275 x 1.25
?32	751B213146	1	/P	Casing Clamp
?33	751-0619	1	S	Exhaust Pipe (Intek Single)
?34	746-1084	1	S	Throttle/Choke Cable (Intek Single)
35	746-1086	1	S	Throttle Cable (Intek Twin)
?36	746-1087	1	S	Throttle Cable (Kohler)

13AX604G063 (1999)  
Muffler/Engine Accessories Kohler Single-Cylinder



13AX604G063 (1999)

Page 20 of 23

Muffler/Engine Accessories Kohler Single-Cylinder

Ref #	Part Number	Qty	S/P/F	Description
1	710-0148	1	/P	Self Tapping Screw, #8-32 x .375
2	710-0599	1	/P	Self Tapping Screw, 1/4-20 x .5
3	710-0604	1	S	Self Tapping Screw, 5/16-18 x .625
?4	710-1237	1		Screw, #10-32 x .625
?5	710-1314	1	S	Socket Cap Screw, 5/16-18 x .625
?6	710-1315	1	/P	Self Tapping Screw, 3/8-16 x 1.25
7	712-0798	1	/P	Hex Nut, 3/8-16
?8	721-0460	1		Exhaust Gasket (Intek Twin)
9	726-0205	1	/P	Hose Clamp
?10	736-0119	1	S	Lock Washer, 5/16
11	736-0221	1	/P	Flat Washer, 3/8 x .56 x .018
?12	751B221535	1	/P	Casing Clamp
13	751-0535	1		Fuel Line Hose
14	751-0564	1	S	Muffler Deflector
?15	751-0616	1	S	Muffler, Twin Inlet
?16	751-0650	1	S	RH Exhaust Pipe (Intek Twin)
?17	751-0651	1	S	LH Exhaust Pipe (Intek Twin)
18	751-3140	1	S	Oil Drain Valve
19	751-3141	1	S	Oil Drain Hose
20	751-3142	1		Oil Drain Cap
21	783-0615	1	S	Muffler Heat Shield
?22	783-0625A	1	S	Engine Heat Shield
23	710-3206A	1	/P	Hex Cap Screw, M8-1.25 x 25
24	712-3086	1	/P	Flange Nut, M8-1.25
25	721-0375	1	S	Exhaust Gasket (Kohler)
26	736-0607	1	/P	External Lock Washer, 5/16
27	751-0621	1	S	Exhaust Pipe (Kohler)
28	751-0617	1	S	Muffler, Single Inlet
?29	712-0271	1	/P	Hex Sems Nut, 1/4-20 (For starter cable)
?30	721-0208	1	S	Exhaust Gasket (Intek Single)
?31	732-0966	1		Extension Spring, .275 x 1.25
?32	751B213146	1	/P	Casing Clamp
?33	751-0619	1	S	Exhaust Pipe (Intek Single)
?34	746-1084	1	S	Throttle/Choke Cable (Intek Single)
?35	746-1086	1	S	Throttle Cable (Intek Twin)
36	746-1087	1	S	Throttle Cable (Kohler)



13AX604G063 (1999)  
Seat/Lift Assembly

Page 22 of 23

Ref #	Part Number	Qty	S/P/F	Description
1	747-1130	1	S	Deck Stabilizer Rod
2	683-0197	1	S	Lift Shaft Assembly
3	711-0332	1	S	Clevis Pin, .5 x .78
4	712-0206	1	S	Hex Nut, 1/2-13
5	712-0431	1	S	Flange Lock Nut, 3/8-16
6	712-3004A	1	/P	Flange Lock Nut, 5/16-18
7	712-3083	1	/P	Hex Nut, 1/2-13
8	714-0104	1	S	Internal Cotter Pin
9	714-0111	1	S	Cotter Pin
10	716-0106	1	/P	E-ring
11	720-0311	1		Handle Grip
12	732-0874	1	/P	Torsion Spring
13	732-0934	1		Lift-assist Spring, 1.15 x 5.99 (Found on Units w/46-inch Decks Only)
14	736-0275	1	S	Flat Washer, 5/16
15	736-0921	1	S	Lock Washer, 1/2
16	736-3019	1		Flat Washer, .31 x 1.062 x .134
17	736-3084	1	/P	Flat Washer, .51 x 1.12 x .06
18	738-0138	1	S	Hex Cap Screw, 5/16-18 x .62
19	738-0380	1	S	Shoulder Screw, .5 x .27, 3/8-16
20	741-0225	1	S	Hex Range Bearing
21	741-0715	1	S	Snap Flange Bearing
22	746-0968	1		Lift Cable, 16.16
23	747-1111	1	S	Lift Handle
24	756-1154	1		Roller Pulley
25	783-0678	1	S	Arm Lift
?26	783-0720	1	S	Deck Stabilizer Bracket
27	710-0260	1	S	Carriage Bolt, 5/16-18 x .62
28	710-0604	1	S	Self Tapping Screw, 5/16-18 x .625
29	710-0895	1		Self Tapping Screw, 1/4-15 x .75
30	731-1990	1		Lift Lever Cover
31	731-2104	1	S	Shift Lever Cover w/ Cup Holder
32	738-0155	1	S	Shoulder Screw, .437 x 1.62
33	783-0677	1	S	Lift Adjustment Bracket
34	783-0685	1	S	Fender
35	783-0715	1	S	Seat Mounting Bracket
36	710-1268	1	/P	Screw, #10-16 x .375
37	712-3027	1	S	Hex Flange Lock Nut, 1/4-20
38	720-0309A	1	/P	Seat Adjuster Grip
39	731-1989	1		Spacer
?40	732-0499	1		Compression Spring, .41 x 1.5
41	736-0175	1	S	Spring Washer, .265 x .562 x .025
42	736-0204	1	/P	Flat Washer, .344 x .62 x .03
43	738-0137A	1	S	Shoulder Screw, .340 x .285, 1/4-20
44	738-1007	1		Shoulder Screw, .50 x .50, 3/8-16
45	783-0611	1		Seat Stop
46	783-0738	1	S	Seat Pivot Bracket
47	783-0739	1		Seat Adjustment lever
48	783-0753	1		Seat Adjustment Selector
49	757-0365	1	S	Seat, Radiant Yellow
	757-0372	1	S	Seat, Radiant Yellow w/ Drain Holes
50	735-0657	1		LH Foot Pad
51	735-0656	1		RN Foot Pad

13AX604G063 (1999)  
Seat/Lift Assembly

Page 23 of 23

Ref #	Part Number	Qty	S/P/F	Description
	726-3046	1	/P	Foot Pad Clips (Not Shown)