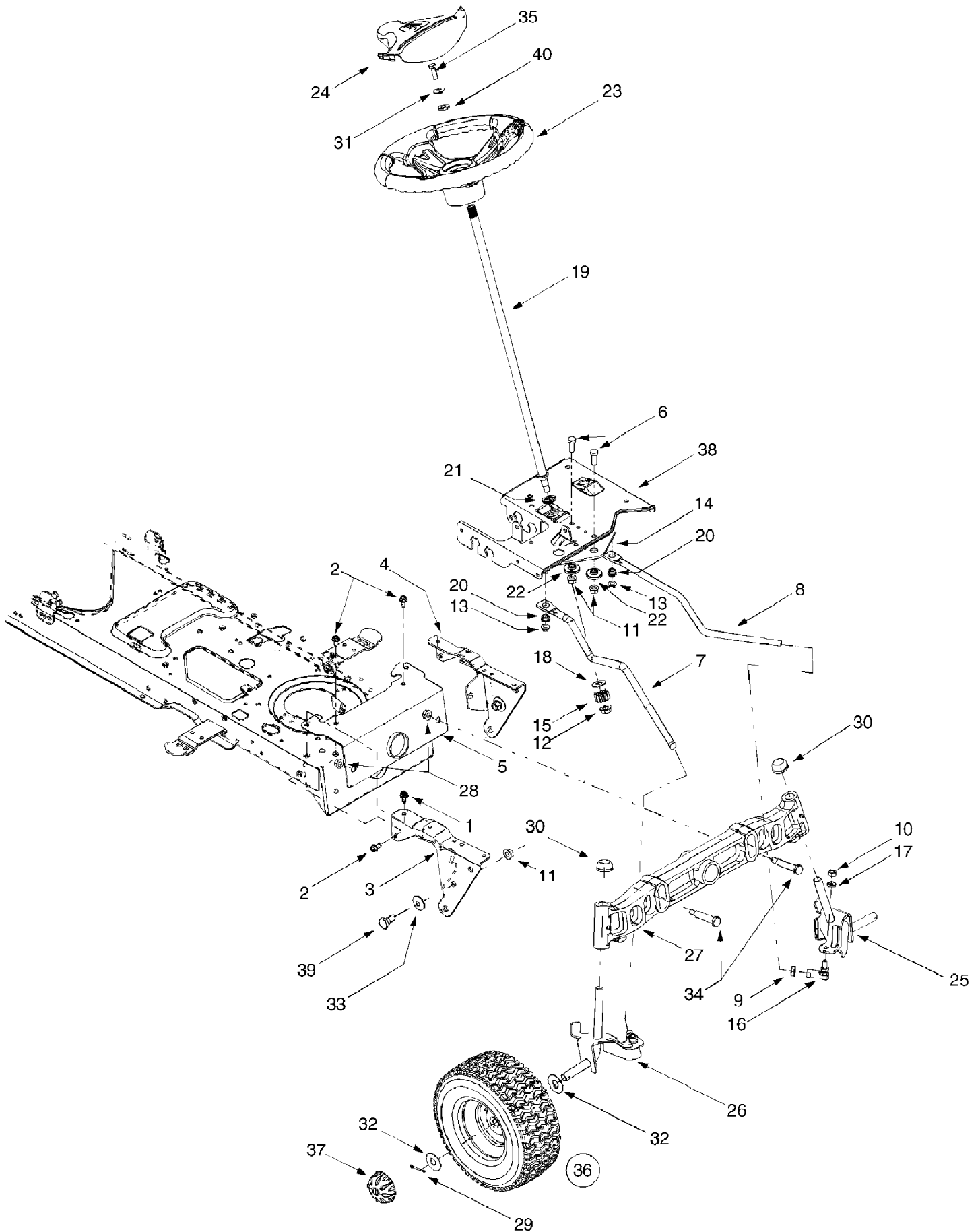


13AT609H063 LTX2146 (2003)  
Axle, Front, Steering Assembly, Wheels, Front



13AT609H063 LTX2146 (2003)

Page 2 of 20

Axle, Front, Steering Assembly, Wheels, Front

Ref #	Part Number	Qty	S/P/F	Description
1	710-1260A	1	/P	Self-tapping Screw, 5/16-18 x .75
2	710-0604A	1	/P	Self-tapping Screw, 16-18 x .625
3	783-0726B	1	S	RH Pivot Support Bracket
4	783-0727A	1	S	LH Pivot Support Bracket
5	783-0728	1		Pivot Bar Bracket
6	710-0514	1	/P	Hex Cap Screw, 3/8-16 x 1 (Grade 5)
7	711-1408	1		RH Drag Link
8	711-1409A	1	/P	LH Drag Link
9	712-0240	1	S	Jam Nut, 7/16-20 (Grade 2)
10	712-0241	1	/P	Hex Nut, 3/8-24 (Grade 2)
11	712-0431	1	S	Flange Lock Nut, 3/8-16
12	712-0459	1	/P	Flange Lock Nut, 7/16-20
13	712-3004A	1	/P	Flange Lock Nut, 5/16-18
14	717-1550D	1	S	Steering Gear, 11/90 Ratio
15	717-1554	1		Steering Pinion Gear
16	723-0448A	1	S	Ball Joint, 7/16-20
17	736-0169	1	S	Lock Washer, 3/8
18	736-3084	1	/P	Flat Washer, .51 x 1.12 x .06
19	738-1001A	1	/P	Steering Shaft, .625 OD x 24.4
20	741-0475	1	S	Plastic Bushing, .38 ID
21	741-0656	1	S	Hex Flange Bearing, 5/8
22	738-0372B	1	/P	Shoulder Spacer, .38 ID
23	631-04008	1	S	Steering Wheel, Soft Grip, Three Spoke
24	731-04066	1	S	Steering Wheel Cover
25	638-0019A	1	S	LH Axle Assembly, .625 Dia.(Model LTX-1842)
	638-0021	1	S	LH Axle Assembly .625 / .750 Dia.(Model LTX-2146)
26	638-0020A	1	S	RH Axle Assembly, .625 Dia.(Model LTX-1842)
	638-0022	1	S	RH Axle Assembly .625 / .750 Dia. (Model LTX-2146)
27	719-0399B	1	/P	Cast Iron Pivot Bar w/ Fittings, .625 (Model LTX-1842)
	719-0525B	1	S	Cast Iron Pivot Bar w/ Fittings, .75 (Model LTX-2146)
28	712-0431	1	S	Flange Lock Nut, 3/8-16
29	714-0162	1	/P	Cotter Pin
30	726-0214	1	/P	Push Cap, .625 (Model LTX-1842)
	726-0341	1	/P	Push Cap, .750 (Model LTX-2146)
31	736-0242	1	/P	Bell Washer, .34 x .872
32	736-0285	1	/P	Flat Washer, .635 x 1.589 x .06
33	736-0331	1	/P	Bell Washer, .39 x 1.13 x .062
34	738-1011	1	S	Shoulder Screw, .5 x 2.2, 3/8-16
35	710-0643	1	/P	Hex Bolt, 5/16-18 X 1
36	634-0105A	1	S	Wheel Assembly Complete, 15 x 6 x 6
	634-0172	1		Rim Only
	734-0255	1	S	Air Valve (Not Shown)
	734-1731	1		Tire Only, Square Shoulder
	741-0487A	1	S	Flange Bearing (Not Shown)

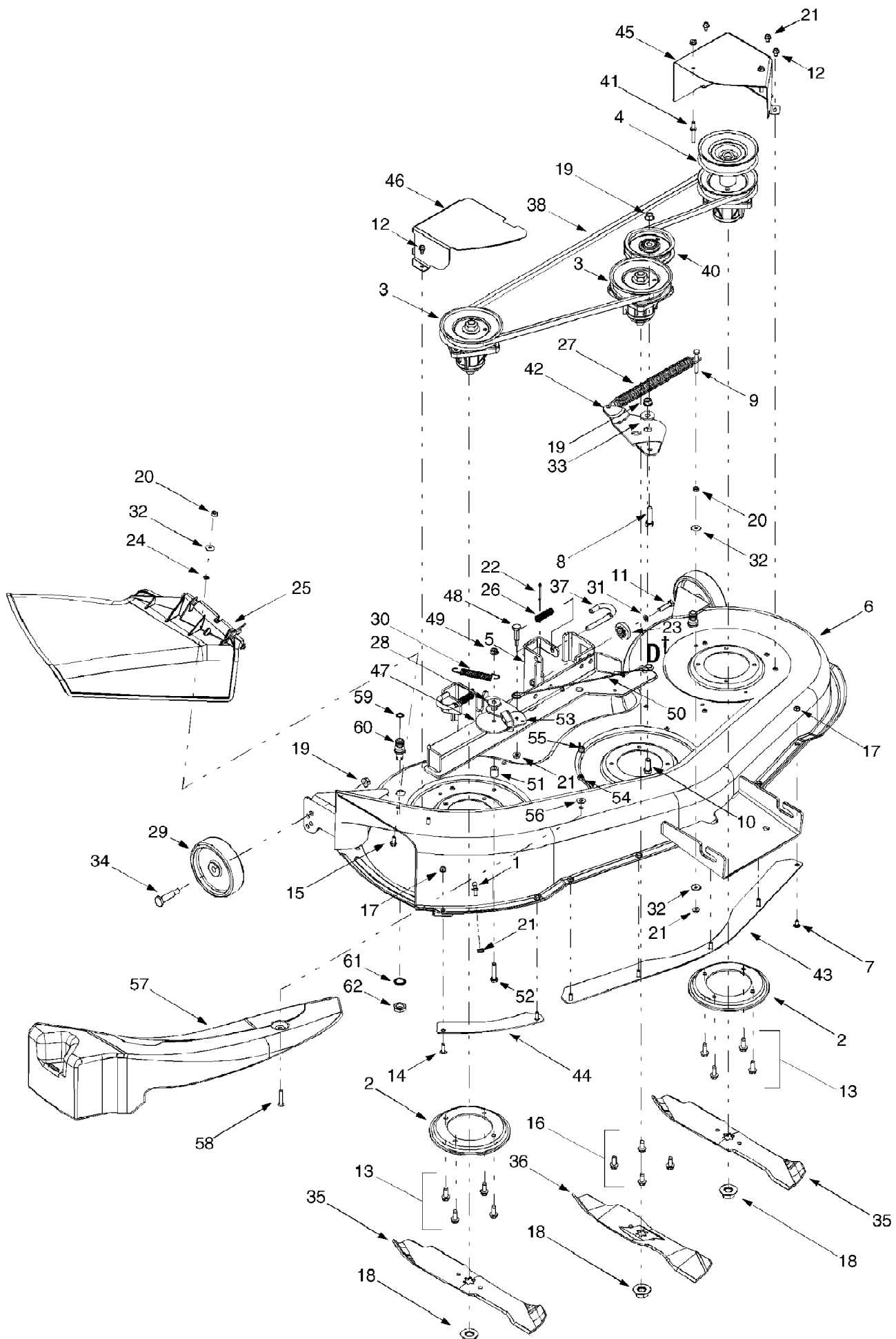
13AT609H063 LTX2146 (2003)

Page 3 of 20

Axle, Front, Steering Assembly, Wheels, Front

Ref #	Part Number	Qty	S/P/F	Description
	741-0706	1	S	Flange Bearing w/ Fitting (Not Shown)
37	731-2290A	1	/P	Hub Cap
38	783-0653F	1	S	Steering Support Bracket
39	738-0143	1	/P	Shoulder Screw, 3/8-16
40	736-3004	1	S	Flat Washer, .406 x .875 x .105

13AT609H063 LTX2146 (2003)  
Deck Assembly H 46"



13AT609H063 LTX2146 (2003)  
Deck Assembly H 46"

Page 5 of 20

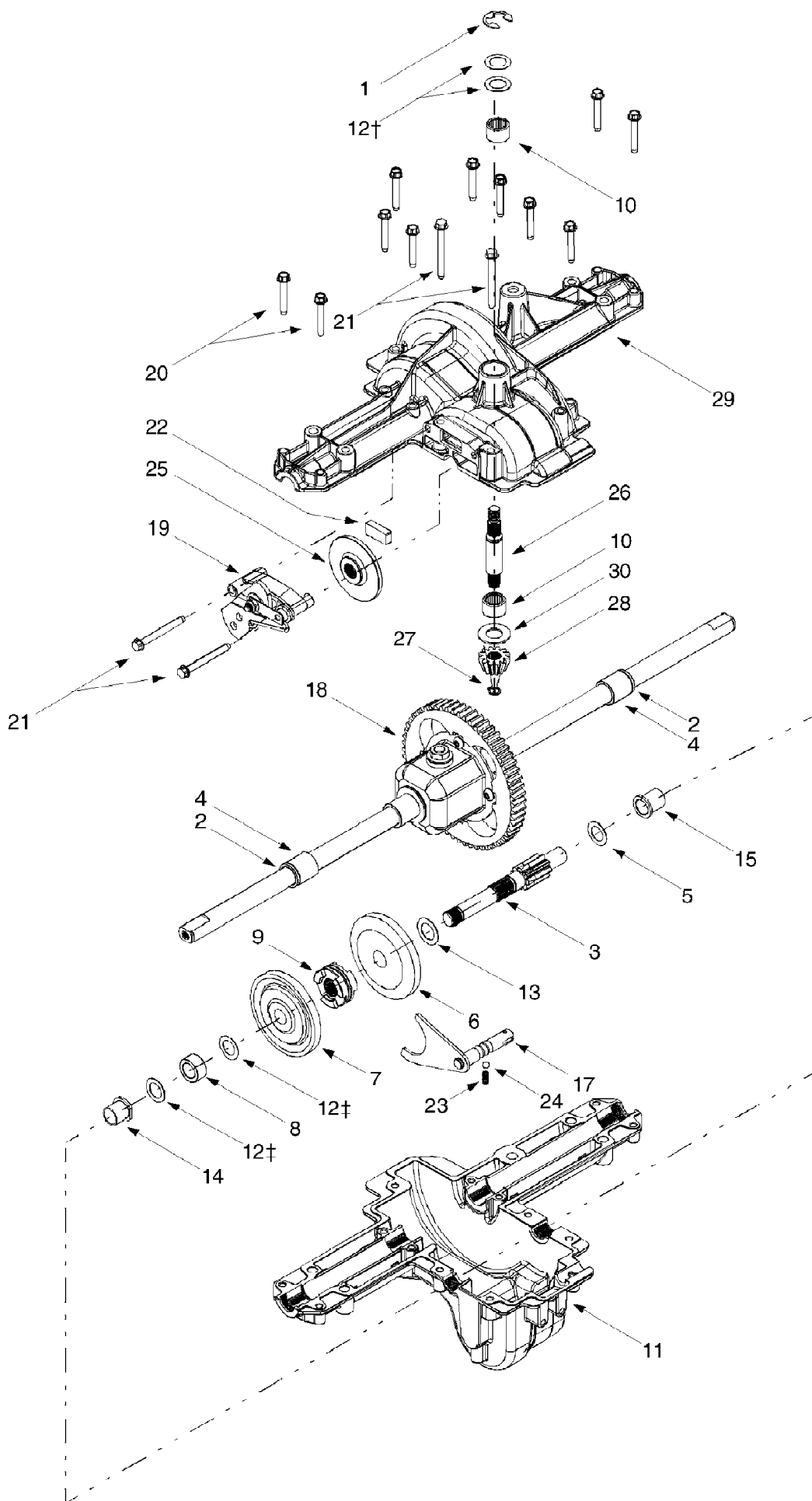
Ref #	Part Number	Qty	S/P/F	Description
1	711-04069	1	S	Retainer Hook
2	17982	1	S	Spindle Reinforcement Plate
3	618-0430A	1	S	Spindle Assembly, 5.0 Dia.
	756-1187	1		Pulley Only
4	618-0596	1	S	Double Pulley Spindle Assembly
	756-0603	1	/P	Double Pulley Only
5	683-0254	1	S	Deck Adjustment Bracket Assembly
6	683-04052	1	S	46-inch Deck Shell
7	710-0167	1	/P	Carriage Screw, 1/4-20 x .50
8	710-0344	1	/P	Hex Cap Screw, 3/8-16 x 1.5
9	710-0501	1	/P	Hex Cap Screw, 1/4-20 x 2.0
10	710-0514	1	/P	Hex Cap Screw, 3/8-16 x 1.0
11	710-0528	1	/P	Hex Cap Screw, 5/8-18 x 1.25
12	710-0599	1	/P	Self-tapping Screw, 1/4-20 x .5
13	710-0650	1	/P	Self-tapping Screw, 15/16-18 x .875
14	710-0703	1	/P	Hex Screw, 1/4-20 x .75
15	710-0751	1	/P	Hex Cap Screw, 1/4-20 x .62
16	710-1260A	1	/P	Self-tapping Screw, 5/16-18 x .75
17	712-0271	1	/P	Hex Sems Nut, 1/4-20
18	712-0417A	1	/P	Hex Flange Nut, 5/8-18
19	712-0431	1	S	Flange Lock Nut, 3/8-16
20	712-3006	1	/P	Hex Nut, 1/4-20
21	712-3027	1	S	Hex Flange Lock Nut, 1/4-20
22	714-0470	1	S	Cotter Pin, 1/8 x 1.25
23	717-1553A	1	S	Deck Adjustment Gear
24	726-0233	1	/P	Push Nut. .25 x .5
25	731-1032B	1	S	Side Discharge Chute Assembly
26	732-0306	1	S	Compression Spring, .406 x .531 x 1.75
27	732-0594A	1	S	Extension Spring, .91 x 7.3
28	748-0324	1	S	Shoulder Spacer
29	734-0973	1	/P	Deck Wheel, 5 x 1.38
30	732-0429A	1	S	Extension Spring, .5 x 3.97
31	736-0119	1	S	Lock Washer, 5/16
32	736-0270	1	/P	Bell Washer, .265 x .75 x .062
33	738-0347	1	S	Shoulder Spacer, .625 x 1.16
34	738-0373	1	S	Shoulder Screw
35	742-0611	1	S	Three-in-one Blade, Star Center, 16.28"
36	742-0612	1	S	Three-in-one Blade, Star Center, 14.88"
37	747-1116	1	/P	Deck Release Pin
38	754-0349	1	S	Deck Belt, Poly
?39	738-3056	1	S	Shoulder Screw, 1/2-2.5
40	756-0627B	1	S	Idler Pulley, 3.5
41	711-0993	1	S	Belt Guard Pin
42	783-0139A	1	S	Idler Bracket
43	783-0141	1		Center Deck Skirt
44	783-0142	1	S	RH Deck Skirt
45	783-1348	1	S	LH Belt Cover
46	17258C	1	S	RH Belt Cover
47	736-0416	1		Flat Washer, .320 x 3.0 x .125
48	738-0572	1	S	Shoulder Screw, .374 x 1.16
49	712-3004A	1	/P	Hex Nut, 5/16-18
50	746-1107	1		Bracket Cable, 12"
51	750-0807	1		Spacer, .385 x .625 x .70

13AT609H063 LTX2146 (2003)  
Deck Assembly H 46"

Page 6 of 20

Ref #	Part Number	Qty	S/P/F	Description
52	710-0805	1	/P	Hex Cap Screw, 5/16-18 x 1.5
53	17116	1	S	Deck Brake Assembly
54	712-3006	1	/P	Hex Nut, 1/4-20
55	712-3087	1	/P	Wing Nut, 1/4-20
56	736-0173	1	/P	Flat Washer, .28 x .74 x .063
57	731-1636	1		Mulch Plug
58	710-0578	1	/P	Screw, 1/4-20 x 1.5
59	721-0417	1	S	O-Ring
60	737-04003	1	S	Water Nozzle
61	736-0760	1	S	Lock Washer, 17 x 23.8 x 1.95
62	712-0641	1	S	Hex Nut, M-16 x 1.5

13AT609H063 LTX2146 (2003)  
Differential Assembly



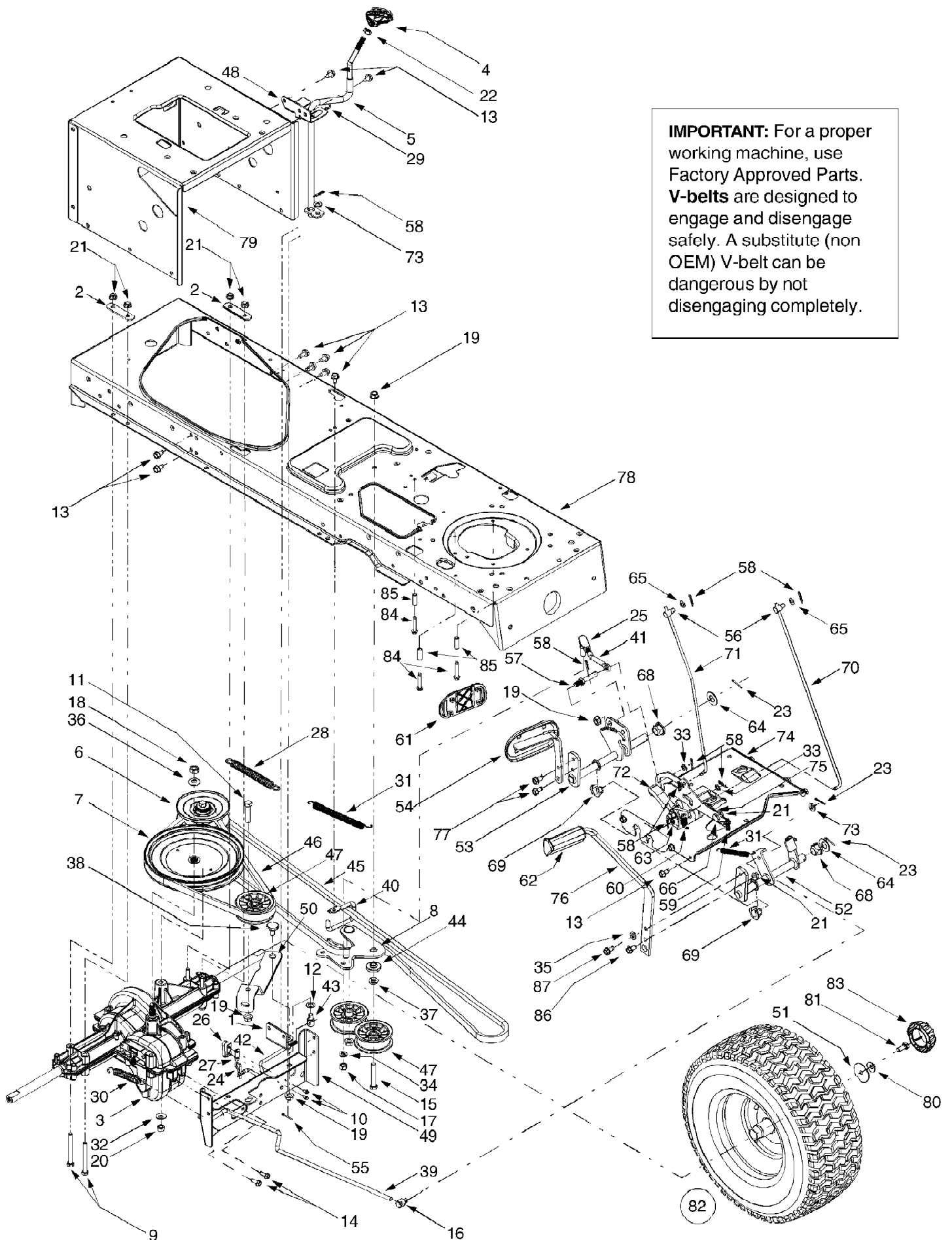
13AT609H063 LTX2146 (2003)  
Differential Assembly

Page 8 of 20

Ref #	Part Number	Qty	S/P/F	Description
1	716-0231	1	S	E-ring, .75
2	721-0338	1	S	Seal, .75 x 1.0 x .125
3	711-1431	1		Drive Shaft
4	741-0340	1	S	Sleeve Bearing, .75 x .1.0 x 1.0
5	736-0495	1	S	Thrust Washer, 1.0 x .632 x .0
6	717-1362	1	S	42-tooth Bevel Gear
7	717-1363	1	S	42-tooth Bevel Gear
8	750-1234	1		Spacer, .633 x 1.0 x .513
9	718-0228	1		Clutch Collar
10	741-0335	1	S	Needle Bearing, .625 x .813 x .495
11	719-0394	1		Lower Housing
12	736-0336	1	S	Flat Washer, 5/8 x 1.0 x .030 Use applicable flat washer in this application allowing .036/.018 (cross) or .010/.005 (double cross) end play.
	736-0337	1	S	Flat Washer, 5/8 x 1.0 x .040 Use applicable flat washer in this application allowing .036/.018 (cross) or .010/.005 (double cross) end play.
	736-0349	1	S	Flat Washer, 5/8 x 1.0 x .020 Use applicable flat washer in this application allowing .036/.018 (cross) or .010/.005 (double cross) end play.
13	736-0519	1	S	Flat Washer, .70 x 1.125 x .031
14	741-0336	1	S	Flange Bearing, 5/8 x 3/4 x 3/4
15	741-0337	1	S	Flange Bearing, 5/8 x 3/4 x 15/16
?16	750-1238	1		Spacer, .635 x 1.0 x .27
17	611-0133	1		Detent Shaft Assembly
18	618-0424	1	S	Differential Assembly
19	661-0006	1	S	Brake Assembly
20	710-1325	1	/P	Self-tapping Screw, 1/4-20 x 1.625
21	710-1206	1	/P	Self-tapping Screw, 1/4-20 x 2.375
22	717-0678	1	S	Brake Pad
23	732-0863	1	S	Compression Spring
24	741-0862	1	/P	Detent Ball
25	761-0202	1		Brake Disc
26	711-1430	1		Input Shaft
27	716-0108	1	S	Retaining Ring, .437
28	717-1464	1		14-tooth Bevel Pinion
29	719-0580	1		Upper Housing
30	736-0335	1	S	Thrust Washer, .635 x 1.25 x .042



13AT609H063 LTX2146 (2003)  
Drive, Controls, Rear Wheels



13AT609H063 LTX2146 (2003)  
Drive, Controls, Rear Wheels

Page 10 of 20

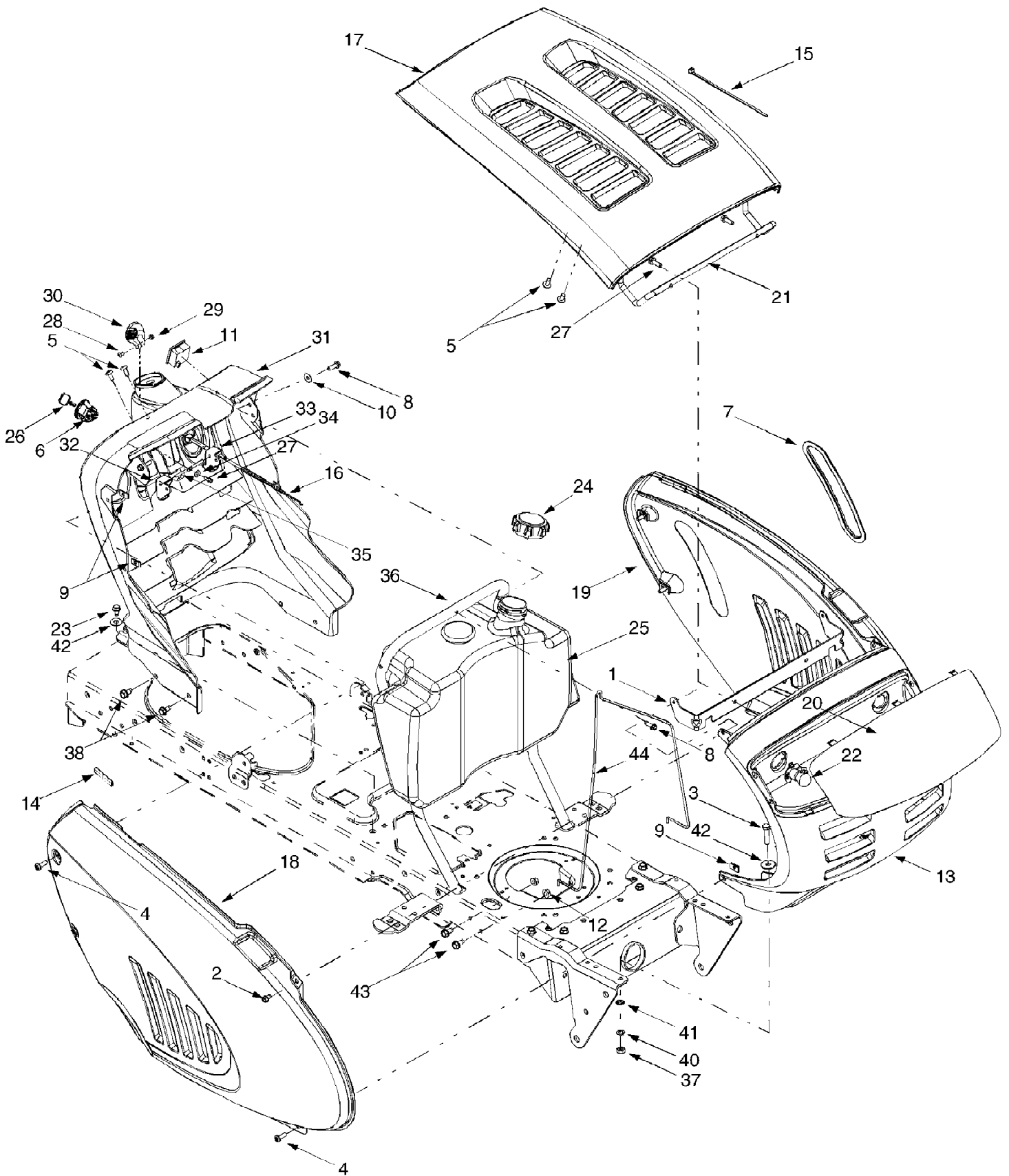
Ref #	Part Number	Qty	S/P/F	Description
1	783-1015	1	S	Shift Lever Support
2	17840	1	S	Transaxle Mounting Bracket
3	618-0551A	1	S	Single-speed Transmission Assembly
4	631-0009A	1	S	Shifter Knob
5	647-0045	1		Shift Lever
6	656-0048	1	S	Variable-speed Pulley Assembly
7	656-0051A	1	/P	Transmission Pulley, 8.5 x .5-36
8	683-0251	1		Double-idler Bracket
9	710-0176	1	/P	Hex Cap Screw, 5/16-18 x 2.75
10	710-0227	1	/P	Self-tapping Screw, #8-18 x .5
11	710-0347	1	/P	Hex Cap Screw, 3/8-16 x 1.75
12	736-0272	1	S	Flat Washer, .51 x 1.0 x .060
13	710-0604A	1	/P	Self-tapping Screw, 5/16-18 x .625
14	710-0642	1	/P	Self-tapping Screw, 1/4-20 x .75
15	710-3011	1	/P	Hex Cap Screw, 3/8-16 x 2.25
16	711-0677	1	S	Ferrule, 5/16-18
17	712-0241	1	/P	Hex Nut, 3/8-24
18	712-0378	1	/P	Hex Nut, 7/16-20
19	712-0431	1	S	Flange Lock Nut, 3/8-16
20	712-3017	1	S	Hex Nut, 3/8-16
21	712-3004A	1	/P	Flange Lock Nut, 5/16-18
22	712-3008	1	S	Jam Nut, 3/8-16
23	714-0111	1	S	Cotter Pin
24	714-0209	1	S	Internal Cotter Pin
25	723-3018	1	S	Ball Joint
26	725-1644	1		Short Spring Switch
27	726-0320	1	S	Insulator Nut Plate
28	732-0384	1	S	Extension Spring, .62 Dia. x 6.12
29	732-0525	1		Compression Spring Clip
30	732-0716	1	S	Extension Spring, .59 OD x 4
31	732-0963	1		Extension Spring, .50 Dia. x 6.37 (hooks to flange, 783-0650, in frame)
32	736-0105	1	/P	Bell Washer, .401 x .87 x .063
33	736-0140	1	S	Flat Washer, .385 x .62 x .063
34	736-0169	1	S	Lock Washer, 3/8
35	736-3008	1	S	Flat Washer, .344 x .750 x .120
36	736-0407	1		Bell Washer, .45 x 1.0 x .602
37	736-3010	1		Flat Washer, .407 x .812 x .135
38	738-0322	1	S	Shoulder Screw, .625 x .217
39	747-1122	1		Brake Rod
40	747-1123A	1	/P	Belt Guard
41	747-1127	1		Idler Adjustment Rod, 3/8
42	747-1285	1		Shift Rod
43	711-0736	1	/P	Adjustment Ferrule, 1/4-20 x 1.0
44	738-0372A	1	S	Shoulder Spacer, .38 ID
45	754-0467	1	S	Lower Drive Belt
46	754-0468	1	S	Upper Drive Belt
47	756-0981A	1	S	Flat Idler, 2.75 OD
48	783-1016B	1	/P	Speed Control Rod Bracket
49	783-0667B	1		Transmission Torque Bracket
50	783-0669	1	S	Idler Bracket
51	736-0430	1	/P	Flat Washer, .350 x 1.59 x .062
52	647-0031	1	S	Brake Control Assembly

13AT609H063 LTX2146 (2003)  
Drive, Controls, Rear Wheels

Page 11 of 20

Ref #	Part Number	Qty	S/P/F	Description
53	647-0032	1	S	Speed Control Assembly
54	683-0266	1		Drive Pedal Assembly
55	714-0470	1	S	Cotter Pin, 1/8 x 1.25
56	711-0736	1	/P	Ferrule, 1/4-20
57	711-1363	1		Pin, 3/8-16 x 2.43
58	714-0104	1	S	Cotter Pin
59	732-0437	1		Compression Spring, .34 OD x 1.0
60	732-0955	1		Extension Spring, .50 OD x 1.41
61	735-0662	1		Drive Pedal Pad
62	735-3049	1	S	Brake Pedal Pad
63	736-0142	1	S	Flat Washer, .281 x .5 x .063
64	736-0187	1	/P	Flat Washer, .64 x 1.24 x .06
65	736-0204	1	/P	Flat Washer, .344 x .062 x .03
66	738-0155	1	S	Shoulder Screw, .437 x 1.62
?67	738-0507B	1	S	Shoulder Screw, .5 x .434
68	741-0225	1	S	Hex Flange Bearing
69	741-3065A	1	S	Split Hex Flange Bearing
70	747-1137	1		Cruise Control Rod
71	747-1138	1		Brake Lock Control Rod
72	748-0413	1		Cruise Latch
73	736-0275	1	S	Flat Washer, .344 x .688 x .065
74	783-0653F	1	S	Steering Support Bracket
75	783-0732	1	S	Drive Lockout Bracket
76	783-0773	1		Brake Pedal
77	710-1260A	1	/P	Self-tapping Screw, 5/16-18 x .75
78	683-0304C	1		Lower Frame Assembly
79	783-1031A	1		Hitch Plate
80	736-0242	1	/P	Bell Washer, .34 x .872
81	710-0627	1	/P	Hex Cap Screw, 5/16-24 x .75
82	634-0104	1		Wheel Assembly Complete 20 x 8 x 8 Square Shoulder
82	634-0070	1	/P	Rim Assembly Only Not Shown
82	734-0255	1	S	Air Valve Not Shown
82	734-1730	1		Tire Only, 20 x 8 x 8, Square Shoulder Not Shown
83	731-2290A	1	/P	Deluxe Hub Cap
84	710-0809	1		Self-tapping Screw, 1/4-20 x 1.25
85	750-0566A	1	/P	Spacer
86	710-0650	1	/P	Self-tapping Screw, 5/16-18 x .875
87	710-1611B	1	/P	Self-tapping Screw, 5/16-18 x .75

13AT609H063 LTX2146 (2003)  
Hood Style 9 & Fuel Tank

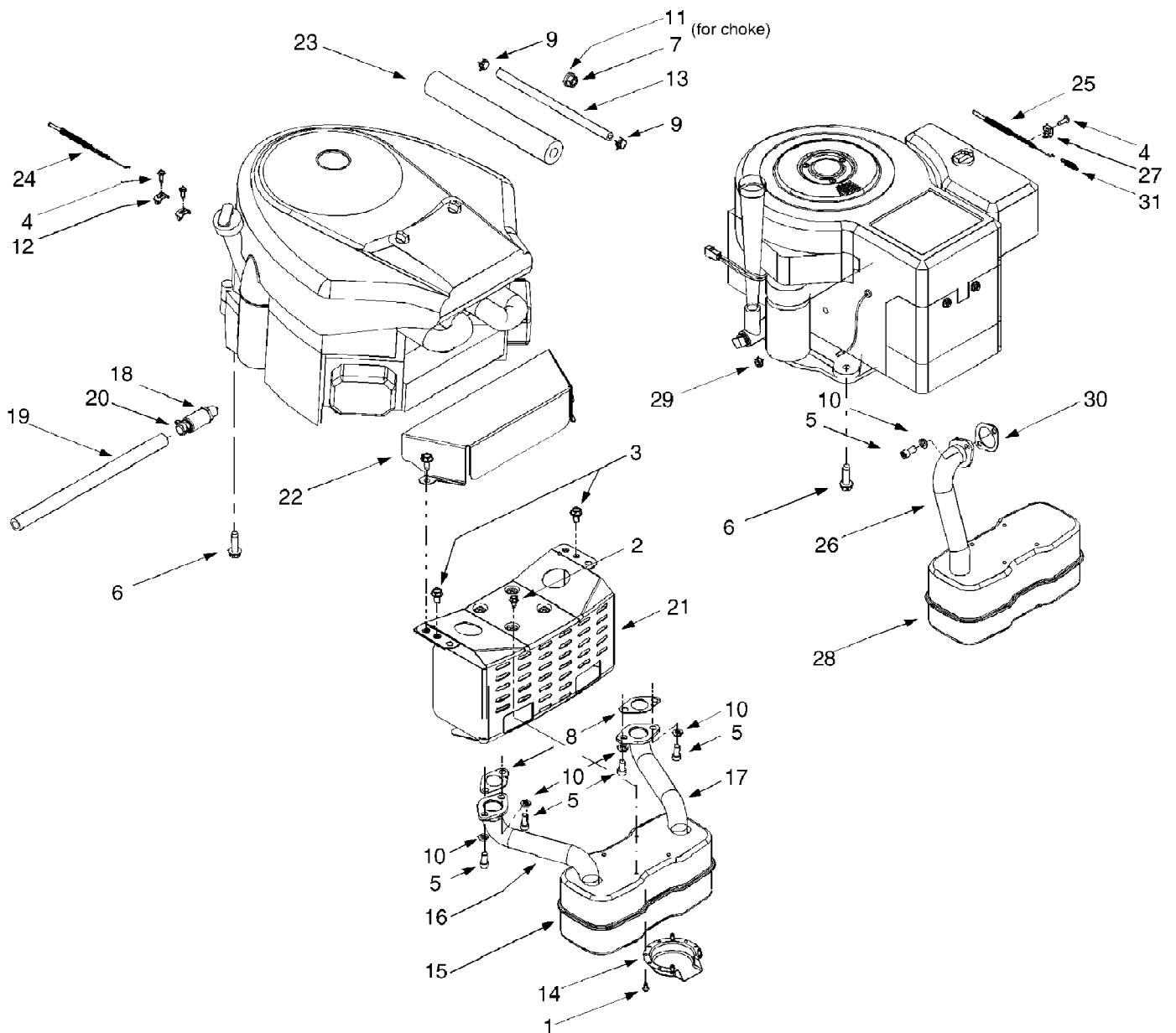


13AT609H063 LTX2146 (2003)  
Hood Style 9 & Fuel Tank

Page 13 of 20

Ref #	Part Number	Qty	S/P/F	Description
1	783-1346	1	S	Grill Support Bracket (9-style)
2	710-0599	1	/P	Self-tapping Screw, 1/4-20 x .5
3	710-0528	1	/P	Hex Cap Screw, 5/16-18 x 1.25
4	710-0924	1	/P	Phillips Pan Screw, 1/4-20 x .75
5	710-1017	1	/P	Truss Phillips Screw, 1/4-20 x .625
6	725-1741	1	S	Ignition Switch
7	735-04019	1	S	Side Panel Seal
8	710-0642	1	/P	Self-tapping Screw, 1/4-20 x .75
9	712-0292	1	/P	U-type Speed Nut, 1/4-20
10	736-0270	1	/P	Bell Washer, .265 x .75 x .062
11	725-04036	1	S	Systems Indicator Monitor
12	712-3004A	1	/P	Hex Nut, 5/16-18
13	731-2119A	1	S	Grille (9-style)
14	731-0511	1	/P	Trim Strip, 4
15	725-0157	1	/P	Cable Tie, 3/16 x .05 x 7.4
16	746-1085	1	S	Choke Knob/Cable (Model LTX-2146)
17	783-0783	1	S	Hood (9-style)
18	783-0784	1		RH Side Panel (9-style)
19	783-04200	1		LH Side Panel (9-style)
20	731-2637	1	S	Headlight Lens (9-style)
21	747-2138	1	/P	Hood Hinge Rod
22	625-0051	1	S	Headlight Assembly
23	710-0726	1	/P	Self-tapping Screw, 5/16-12 x .75
24	751-0603	1	S	Fuel Cap
25	751-3213	1		Fuel Tank, Three-gallon
26	725-1745	1	S	Ignition Key w/ plastic cover
	725-1744	1	S	Ignition Key w/o plastic cover
27	710-0895	1		Self-tapping Screw, 1/4-15 x .75
28	710-3217	1	/P	Truss Phillips Screw, #8-32 x .375
29	712-0142	1	/P	Hex Nut, #8-32
30	731-1857	1		Throttle Control Knob
31	731-2122C	1	/P	Dash Panel
	735-04023	1		Cargo Net
	726-04029	1		Clips
32	731-04217	1	S	Cruise Control Button
33	731-04215	1	S	Parking Brake Button
34	736-0142	1	S	Flat Washer, 9/32 x 1/2 x 1/16
35	747-1196	1		Brake/Cruise Pivot Rod
36	749-1087C	1	S	Dash Support Tube
37	712-3010	1	S	Hex Nut, 5/16-18
38	710-1611B	1	/P	Self-tapping Screw, 5/16-18 x .75
?39	726-3046	1	/P	Ratchet Clip
40	736-0119	1	S	Lock Washer, 5/16
41	726-0201	1		Speed Nut, .3125
42	736-3078	1	/P	Flat Washer, .349 x 1.0 x .063
43	710-1238	1	/P	Screw, 5/16-18 x .875 (Grade 5)
44	747-04132	1	S	Fuel Tank Support Rod
	629-0469A	1	S	Headlight Wire Harness (Not Shown)
	629-04050	1	S	Tractor Wire Harness (Not Shown)

13AT609H063 LTX2146 (2003)  
Muffler & Engine Accessories



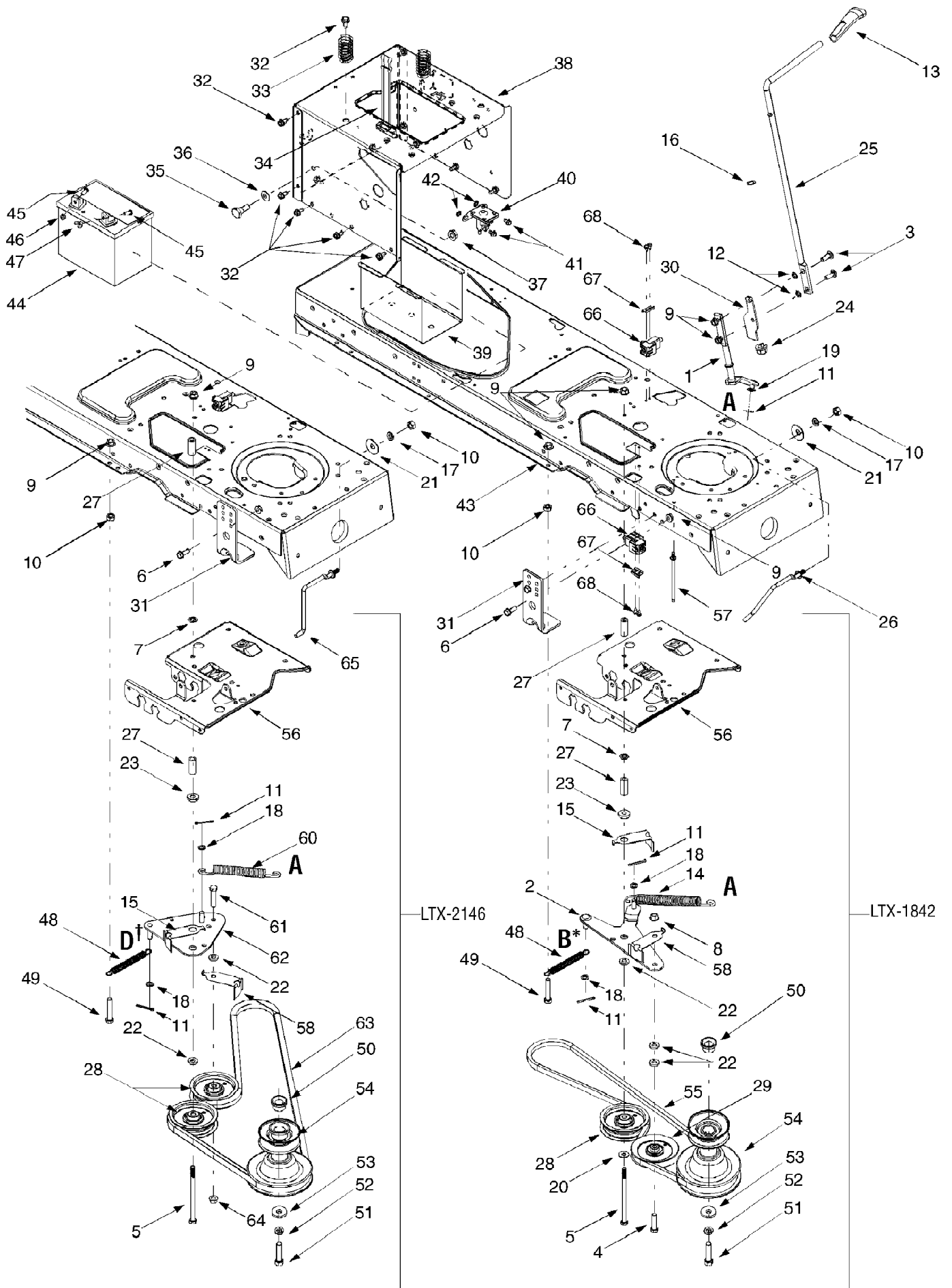
**NOTE:** Engine accessory parts are applicable to all models except where otherwise noted.

13AT609H063 LTX2146 (2003)  
Muffler & Engine Accessories

Page 15 of 20

Ref #	Part Number	Qty	S/P/F	Description
1	710-0227	1	/P	Self-tapping Screw, #8-18 x .5
2	710-0599	1	/P	Self-tapping Screw, 1/4-20 x .5
3	710-0604A	1	/P	Self-tapping Screw, 5/16-18 x .625
4	710-1237	1		Screw, #10-32 x .625
5	710-1314A	1	/P	Socket Cap Screw, 5/16-18 x .625
6	710-1315	1	/P	Self-tapping Screw, 3/8-16 x 1.25
7	712-3017	1	S	Hex Nut, 3/8-16 (Model LTX-2146)
8	721-0460	1		Exhaust Gasket (Model LTX-2146)
9	726-0205	1	/P	Hose Clamp
10	736-0119	1	S	Lock Washer, 5/16
11	736-0300	1	S	Flat Washer (Model LTX-2146)
12	751B221535	1	/P	Casing Clamp (Model LTX-2146)
13	751-0535	1		Fuel Line Hose
14	751-0564	1	S	Muffler Deflector
15	751-0616	1	S	Muffler, Twin Inlet (Model LTX-2146)
16	751-0650	1	S	RH Exhaust Pipe (Model LTX-2146)
17	751-0651	1	S	LH Exhaust Pipe (Model LTX-2146)
18	751-3140	1	S	Oil Drain Valve
19	751-3141	1	S	Oil Drain Hose
20	751-3142	1		Oil Drain Cap
21	783-0615B	1	S	Muffler Heat Shield
22	783-0625C	1	/P	Engine Heat Shield (Model LTX-2146)
23	722-0263	1	S	Foam (over fuel line) (Model LTX-2146)
24	746-1086	1	S	Throttle Cable (Model LTX-2146)
25	746-1084	1	S	Throttle Cable (Model LTX-1842)
26	751-0619	1	S	Exhaust Pipe (Model LTX-1842)
27	751B213146	1	/P	Casing Clamp (Model LTX-1842)
28	751-0617	1	S	Muffler, Single Inlet (Model LTX-1842)
29	712-0271	1	/P	Hex Sems Nut, 1/4-20 (for starter cable)
30	721-0208	1	S	Exhaust Gasket (Model LTX-1842)
31		1		UNKNOWN

13AT609H063 LTX2146 (2003)  
PTO Drive, Battery, Frame Components





13AT609H063 LTX2146 (2003)  
PTO Drive, Battery, Frame Components

Page 17 of 20

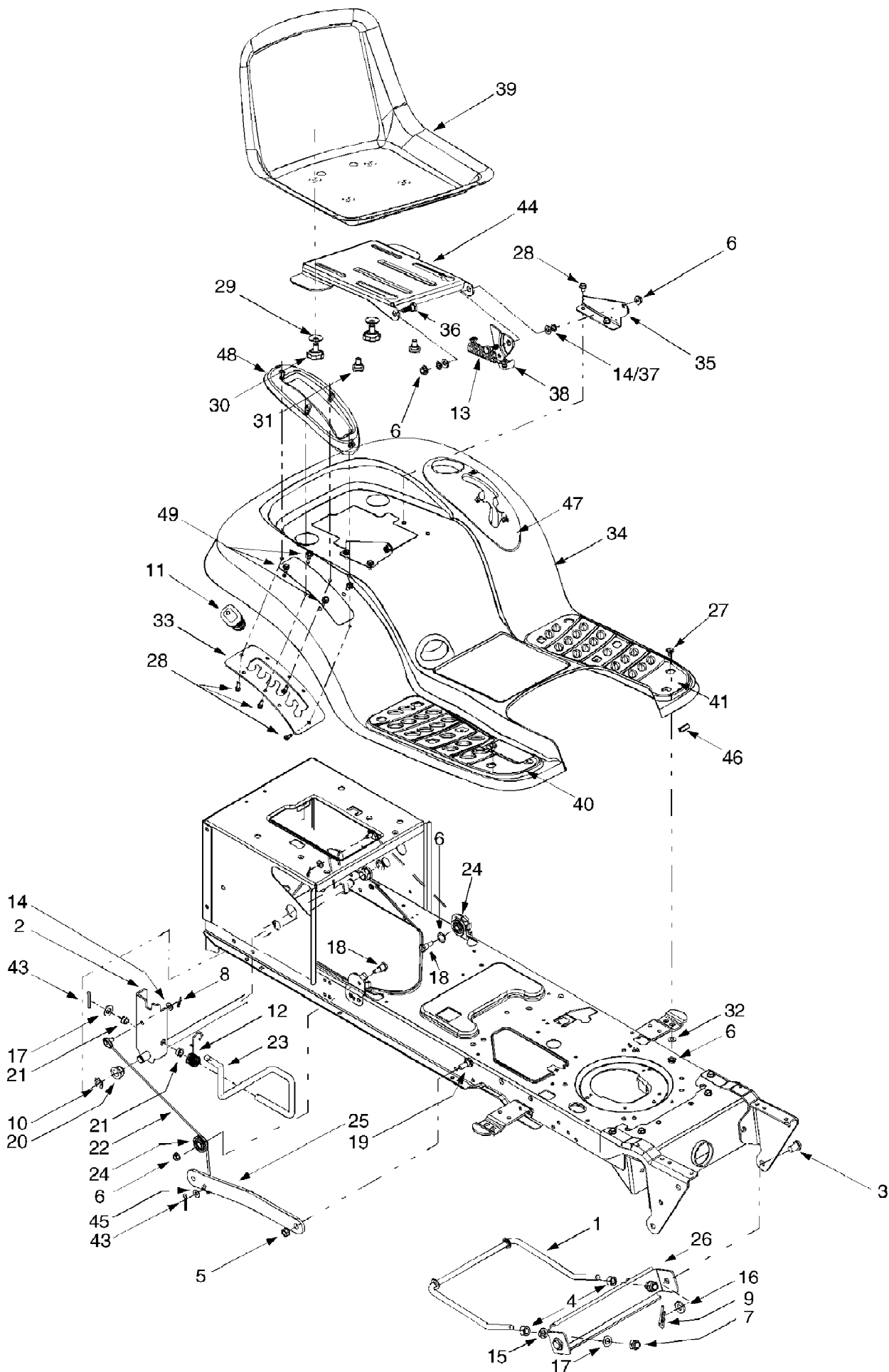
Ref #	Part Number	Qty	S/P/F	Description
1	647-0064	1	/P	PTO Engage Lever Assembly
2	683-0450	1	/P	PTO Engage Plate Assembly
3	710-0276	1	/P	Carriage Screw, 5/16-18 x 1.00
4	710-0520	1	/P	Hex Cap Screw, 3/8-16 x 1.5
5	710-0831	1		Hex Cap Screw, 3/8-16 x 5.5
6	710-1238	1	/P	Hex Head Washer Screw, 5/16-18 x .875
7	712-0229	1		Push Nut, 3/8
8	712-0431	1	S	Flange Lock Nut, 3/8-16
9	712-3004A	1	/P	Flange Lock Nut, 5/16-18
10	712-3010	1	S	Hex Nut, 5/16-18
11	714-0470	1	S	Cotter Pin, 1/8 x 1.25
12	726-0201	1		Speed Nut, .3125
13	731-2111A	1	S	PTO Knob
14	732-1170	1		Extension Spring, .75 x 6.75
15	732-0991A	1	/P	Belt Guard
16	736-0108	1	S	Flat Washer, .510 x .750 x .033
17	736-0119	1	S	Lock Washer, 5/16
18	736-0140	1	S	Flat Washer, .385 x .62 x .063
19	736-0275	1	S	Flat Washer, 5/16
20	736-0300	1	S	Flat Washer, .406 x .875 x .059
21	736-0331	1	/P	Bell Washer, .39 x 1.13 x .062
22	736-3010	1		Flat Washer, .407 x .812 x .135
23	738-0372B	1	/P	Shoulder Spacer, .380
24	741-0708	1		Hex Split Flange Bearing, .5
25	747-1112D	1	S	PTO Engagement Handle
26	747-1286A	1	/P	Belt Keeper Rod
27	748-0415B	1	/P	Spacer, 3/8 x 1.54
28	756-0627B	1	S	Idler Pulley, 3.5
29	756-1208	1		Idler Pulley, 4.0
30	783-0744A	1		Engagement Stop
31	783-0891B	1		Deck Stop
32	710-0604A	1	/P	Self Tapping Screw, 5/16-18 x .625
33	732-04035	1		Compression Spring, 1.28 x 3.125
34	723-0444	1		Battery Strap
35	738-1020	1		Shoulder Screw, .625 x .5, 7/16-20
36	736-0407	1		Bell Washer, .45 x 1.0 x .062
37	712-0459	1	/P	Flange Lock Nut, 7/16-20
38	783-1031A	1		Hitch Plate
39	783-0349	1		Battery Tray
40	725-1426	1	S	Solenoid, 12-Volt, 100 Amp
41	710-0599	1	/P	Self Tapping Screw, 1/4-20 x .5
42	736-0222	1	S	Lock Washer, 1/4
43	683-0304C	1		Lower Frame Assembly
44	725-1706	1	S	12-volt Battery, 270 CCA
45	710-0751	1	/P	Hex Cap Screw, 1/4-20 x .62
46	712-0271	1	/P	Hex Sems Nut, 1/4-20
47	712-3044	1		Wing Nut, 1/4-20
48	732-1165	1	S	Extension Spring, .50 x 5.0
49	710-3180	1	/P	Hex Cap Screw, 5/16-18 x 1.75
50	750-0956	1		Spacer Cup
51	710-3029	1	/P	Hex Head Cap Screw, 7/16-20 x 1.25
52	736-0171	1	S	Lock Washer, 7/16
53	736-0322	1	/P	Flat Washer, .450 x 1.25

13AT609H063 LTX2146 (2003)  
PTO Drive, Battery, Frame Components

Page 18 of 20

Ref #	Part Number	Qty	S/P/F	Description
54	756-0982B	1	/P	Engine Pulley, 3.56 OD x 5.56
55	754-0497	1	S	PTO Belt (Model LTX-1842)
56	783-0653F	1	S	Steering Support Bracket
57	711-1044	1	S	Keeper Pin, 5/16 x 4.75
58	732-1013	1		Belt Guard
?59	710-3025	1	/P	Hex Cap Screw, 5/16-18 x .625
60	732-0944	1		Extension Spring, .75 x 6.75
61	710-0347	1	/P	Hex Cap Screw, 3/8-16 x 1.75
62	683-0302	1	/P	PTO Engagement Plate Assembly
63	754-0486A	1	S	PTO Belt (Model LTX-2146)
64	712-0431	1	S	Flange Lock Nut, 3/8-16
65	747-1243	1	/P	Belt Keeper Rod
66	725-1657A	1	S	Switch
67	17962	1		Switch Plate
68	710-0224	1	S	Screw, #10-16 x .5

13AT609H063 LTX2146 (2003)  
Seat, Fender, Frame Components



13AT609H063 LTX2146 (2003)  
Seat, Fender, Frame Components

Page 20 of 20

Ref #	Part Number	Qty	S/P/F	Description
1	747-1130B	1	/P	Deck Stabilizer Rod
2	683-0197B	1	S	Lift Shaft Assembly
3	711-0332	1	S	Clevis Pin, .5 x .78
4	712-0206	1	S	Hex Nut, 1/2-13
5	712-0431	1	S	Flange Lock Nut, 3/8-16
6	712-3004A	1	/P	Flange Lock Nut, 5/16-18
7	712-3083	1	/P	Hex Nut, 1/2-13
8	714-0104	1	S	Internal Cotter Pin
9	714-0145	1	S	Internal Cotter Pin
10	716-0106	1	/P	E-ring
11	720-0311	1		Handle Grip
12	732-0874	1	/P	Torsion Spring
13	732-1184	1	/P	Extension Spring, .84 x 4.6
14	736-0275	1	S	Flat Washer, 5/16
15	736-0921	1	S	Lock Washer, 1/2
16	736-3019	1		Flat Washer, .531 x 1.062 x .134
17	736-3084	1	/P	Flat Washer, .51 x 1.12 x .06
18	738-0138A	1	/P	Hex Cap Screw, 5/16-18 x .62
19	738-0143	1	/P	Shoulder Screw, 3/8-16
20	741-0225	1	S	Hex Flange Bearing
21	741-0715	1	S	Snap Flange Bearing
22	746-0968	1		Lift Cable, 16.16 (LTX-1842)
	746-1144	1		Lift Cable, 15.62 (LTX-2146)
23	747-1111A	1	/P	Lift Handle
24	756-1154	1		Roller Pulley
25	783-0678A	1	S	Arm Lift
26	783-0720A	1	S	Deck Stabilizer Bracket
27	710-0260A	1	/P	Carriage Bolt, 5/16 x .62
28	710-0604A	1	/P	Self-tapping Screw, 5/16-18 x .625
29	736-0331	1	/P	Bell Washer, .390 x 1.13 x .062
30	720-04009	1	S	Knob, 3/8-16
31	738-04012	1	S	Shoulder Screw
32	736-3078	1	/P	Flat Washer, .349 x 1.0 x .063
33	783-1010	1	S	Lift Adjustment Bracket
34	783-0840A	1	/P	Fender
35	783-1489	1	S	Seat Mounting Bracket
36	738-0296	1	S	Shoulder Screw
37	726-0201	1		Speed Clip
38	783-0209A	1	S	Seat Lift Bracket
39	757-04009	1	S	Medium Back Seat, Black
40	735-0672	1		RH Foot Pad, Rubber
41	735-0673	1		LH Foot Pad, Rubber
?42	726-3046	1	/P	Foot Pad Clips
43	714-0111	1	S	Cotter Pin
44	783-04081	1	S	Seat Pivot Bracket
45	736-0204	1	/P	Flat Washer, .344 x .62
46	731-0511	1	/P	Trim Strip
47	731-1990	1		Lift Lever Cover
48	731-2104B	1	S	Shift Lever Cover w/ Cup Holder
49	710-0895	1		Self-tapping Screw, 1/4-15 x .75