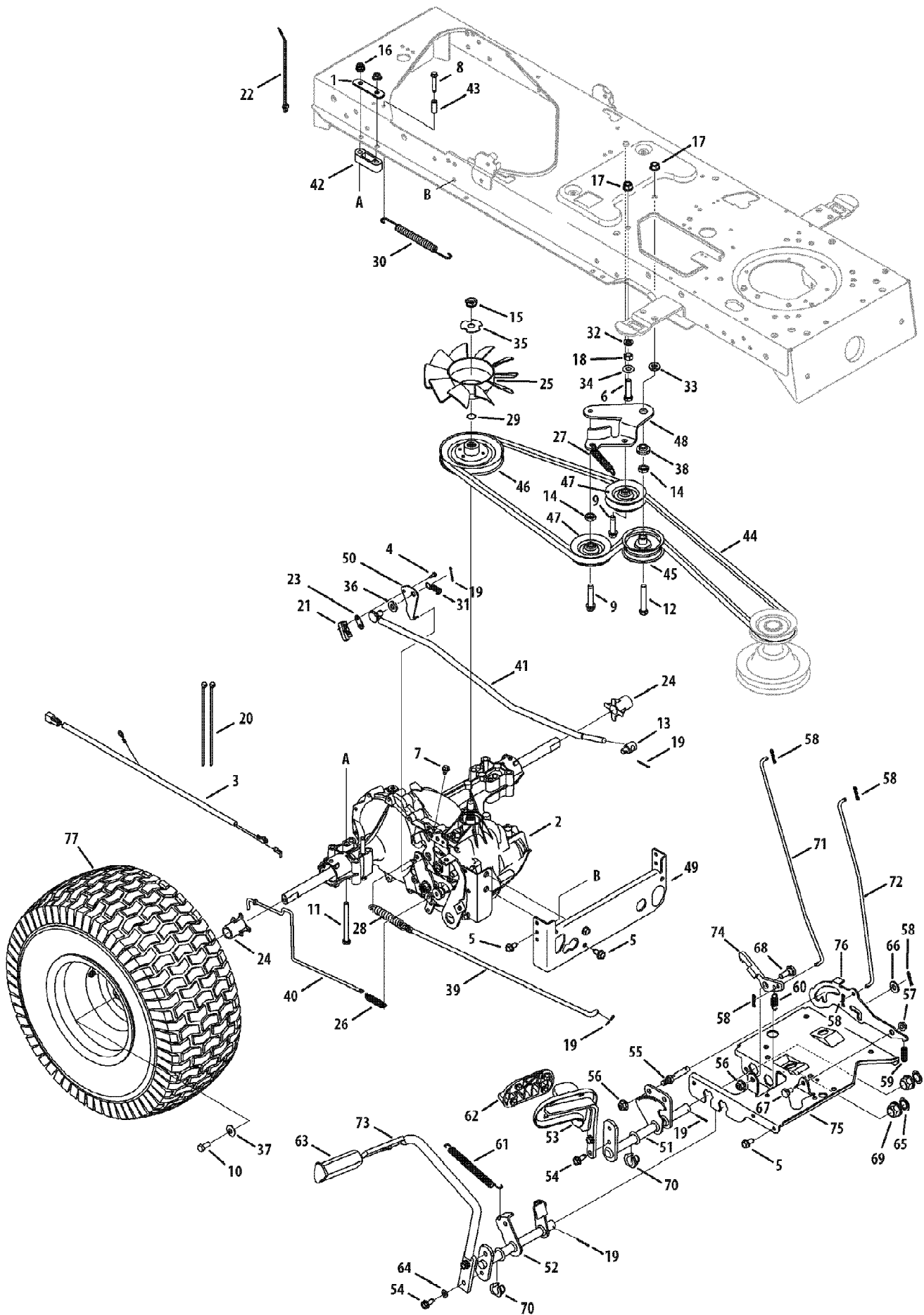


13AP61KP011 Horse (2009)
Drive System



13AP61KP011 Horse (2009)
Drive System

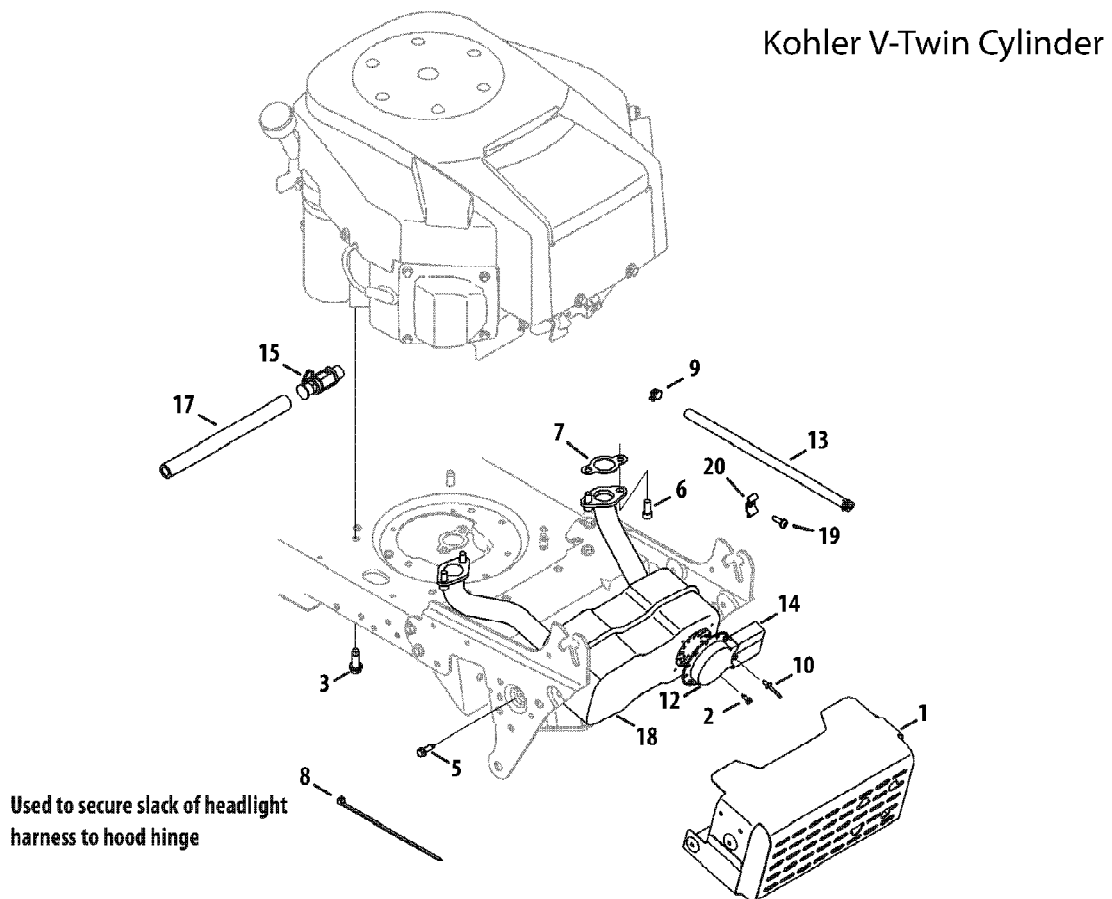
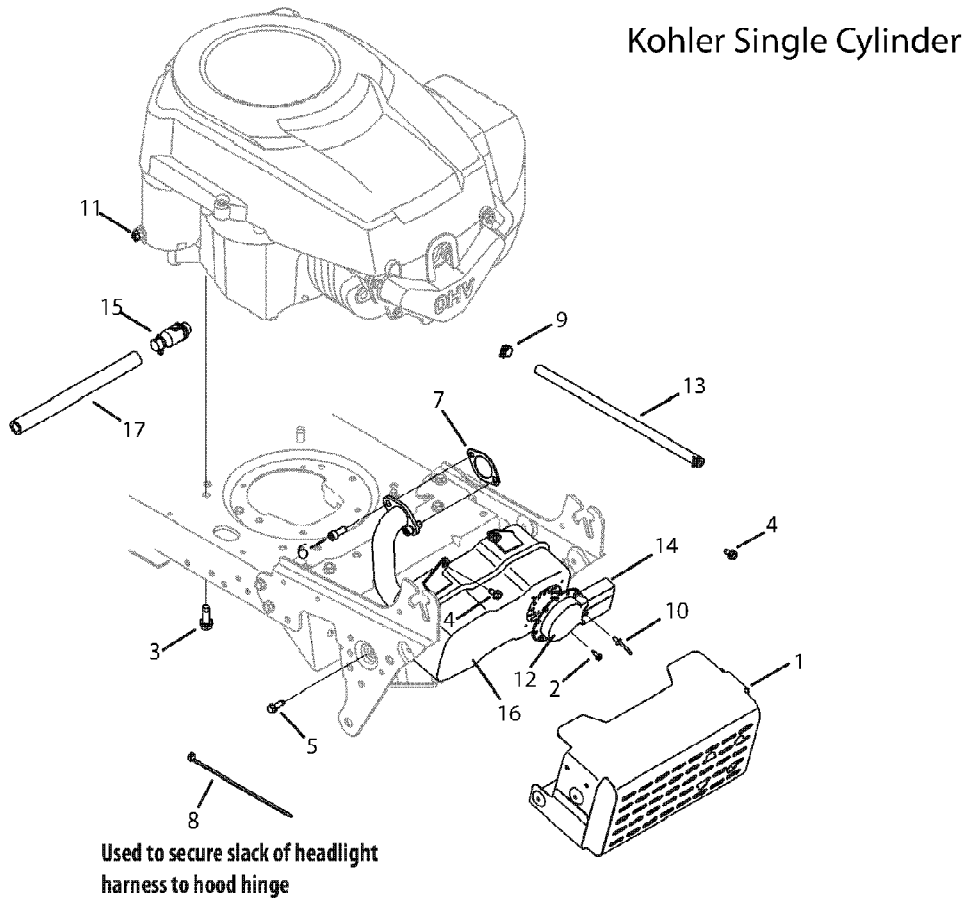
Page 2 of 20

Ref #	Part Number	Qty	S/P/F	Description
1	17840-0637	1	/P	Transaxle Mounting Bracket
2	918-0319	1	/P	Hydrostatic Transmission, 0510
3	629-0949B	1		Hydro Ground Harness Assembly
4	710-0227	1	/P	Screw, #8-18 x 0.500
5	710-04484	1		Self-Tap Screw, 5/16-18 x .750
6	710-0520	1	/P	Hex Head Screw, 3/8-16 x 1.50 Gr5
7	710-0653	1	/P	Self-Tap Screw, 1/4-20 x 0.375
8	710-0778	1	/P	Self-Tap Screw, 1/4-20 x 1.500
9	710-1007	1	/P	Sems Self-Tap Screw, 3/8-16 x 1.500
10	710-0627	1	/P	Hex Head Screw, 5/16-24, .750 x Gr5
11	710-1266	1	/P	Hex Head Screw, 5/16-18 x 3.50 Gr5
12	710-3011	1	/P	Hex Head Screw, 3/8-16 x 2.25
13	911-0832	1	/P	Ferrule, 3/8-24 x .375
14	912-0240	1	/P	Jam Nut, 7/16-20
15	912-0346	1	/P	Flange Jam Nut, 1/2-20 Gr5
16	712-04063	1	/P	Flange Lock Nut, 5/16-18 Grf
17	912-0431	1	/P	Flange Lock Nut, 3/8-16 Grf
18	912-3017	1	/P	Hex Nut, 3/8-16 Gr5
19	914-0111	1	/P	Cotter Pin, 3/32 1.0
20	725-0157	1	/P	Cable Tie, 3/16 X .05 X 7.4
21	725-1644	1		Short Spring Switch
22	926-0154	1	/P	Push Mount Cable Tie, 7.5 Lg
23	926-0320	1	/P	Insulator Plate Nut
24	731-05299	1		Sleeve, .765 Id X 1.500 Lg
25	731-06098	1		LT Hydro Fan
26	932-0209	1	/P	Extension Spring, .48 Od X 2.03
27	732-04323B	1	/P	Extension Spring, .770 X 3.720 Lg
28	732-0716D	1	/P	Extension Spring, .59 Od X 4.00 Lg
29	732-0729	1	/P	Wire Ring
30	732-0994	1		Extension Spring, .500 Dia X 7.0 Lg
31	732-3118	1		Extension Spring, 3/8 Od X 1.44 Lg
32	936-0169	1	/P	Lock Washer, 3/8 Regular Duty
33	736-0258	1	/P	Flat Washer, .385 X 1.0 X .135
34	936-0300	1	/P	Flat Washer, .406 X .875 X .059
35	736-04263	1		Lock Washer, Hydro Trans.
36	736-3010	1		Flat Washer, .407 x .812 x .135
37	736-0242	1	/P	Belleville Washer, .340 X .872 X .060
38	738-0372B	1	/P	Shoulder Spacer, 1.00 X .38 X .38
39	747-04139	1		Hydro Brake Rod
40	747-1149	1		Hydro Bypass Rod
41	747-1151	1		Hydro Control Rod
42	948-0334	1	/P	Spacer, T-Axle .68
43	750-0566A	1	/P	Spacer, .260 X .372 X 1.030 Lg
44	954-04165	1	/P	V-Belt, 4l X 78 Lg Poly
45	756-04224	1	/P	Flat Idler Pulley, 2.75 Od
46	756-04308	1		Input Pulley, 4.13 Dia
47	756-04325	1	/P	Idler Pulley, V-Type X 3.06
48	783-04442-0637	1		Center Double Idler Bracket
49	783-0810B-0637	1	/P	Hydro Torque Trans. Bracket
50	783-1019B	1	/P	Light Switch Actuator Bracket
51	647-0049A-0637	1	/P	Hydro Control Assembly
52	647-04100-0637	1	/P	Brake Control Assembly
53	683-0267C	1	/P	Hydro Control Pedal Assembly

13AP61KP011 Horse (2009)
Drive System

Page 3 of 20

Ref #	Part Number	Qty	S/P/F	Description
54	710-1260A	1	/P	Self-tap Screw, 5/16-18 x 0.750
55	711-04159B	1		Pin, 3/8-16 X 2.68lg
56	712-04065	1	/P	Flange Lock Nut, 3/8-16 Grf
57	712-3004A	1	/P	Flange Lock Nut, 5/16-18 Gr5
58	914-0104	1	/P	Cotter Pin, .072 Dia. X 1.13 Lg
59	732-0335	1		Compression Spring, .405 X 1.17
60	732-0955	1		Extension Spring, .50 Od X 1.41 Lg
61	732-0963	1		Extension Spring, .50 Dia X 6.37 Lg
62	735-0662	1		Drive Pedal Pad
63	735-3049A	1	/P	Brake Control Pad
64	936-0119	1	/P	Lock Washer, 5/16, Regular Duty
65	736-0187	1	/P	Flat Washer, .64 X 1.24 X .06
66	736-0262	1	/P	Flat Washer, .385 X .870 X .092
67	938-0155	1	/P	Shoulder Bolt, .435 X .160, 5/16-18
68	938-0380	1	/P	Shoulder Bolt, .500 X .270, 3/8-16
69	941-0225	1	/P	Hex Flange Bearing
70	741-3065B	1	/P	Hex Flange Bearing
71	747-04093A	1		Brake Lock-Rod
72	747-04096	1		Cruise Control Rod
73	747-04641A-0637	1	/P	Brake Pedal
74	748-04039C	1		Latch, cruise
75	783-04612-0637	1	/P	Steering Support Bracket
76	783-0663E	1	/P	Hydro Lockout Bracket
77	634-0104-0911	1	/P	Tire Assembly Complete 20 x 8 x 8 Range Rider
77	734-1730-0901	1	/P	Tire, 20 x 8 x 8 Sq. Shldr. Range Rider - Not Shown
77	634-0177-0911	1	/P	Tire Assembly Complete 20 x 10 x 8 Horse
77	734-1873-0901	1	/P	Tire, 20 x 10 x 8 Sq. Shldr. Horse - Not Shown
77	634-04369-0662	1		Rim-Wheel, Rear Not Shown
77	934-0255	1	/P	Valve-Air, Tubeless Not Shown

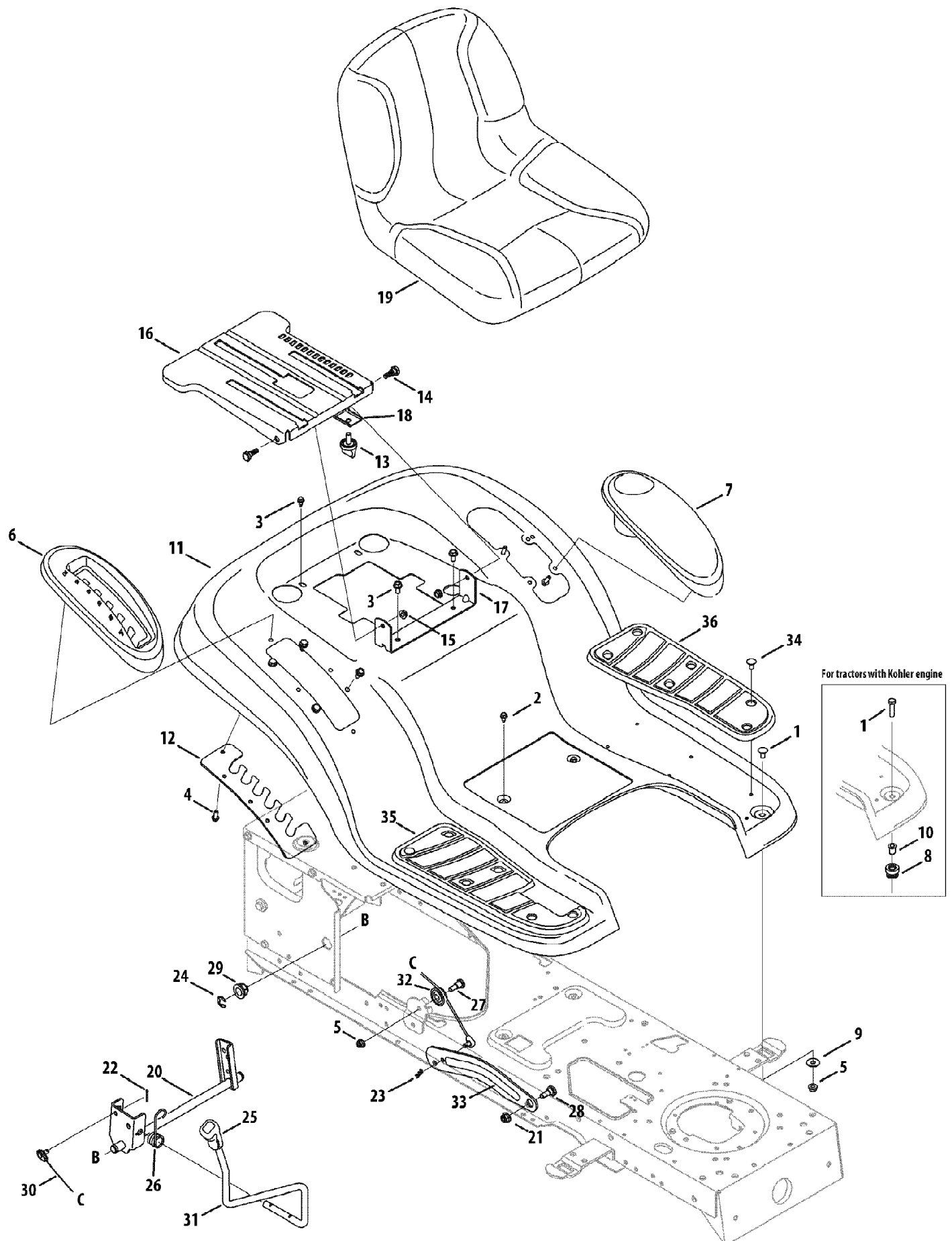


13AP61KP011 Horse (2009)
Engine Accessories

Page 5 of 20

Ref #	Part Number	Qty	S/P/F	Description
1	683-04549-0637	1	/P	Shield, Muffler
2	710-0227	1	/P	Screw, #8-18, 0.500
3	710-04683	1		Screw, Hex, 3/8-16 x 1.00
4	710-0599	1	/P	Screw, Hex, 1/4-20, 0.500
5	710-0642	1	/P	Screw, Hex, 1/4-20, 0.750
6	710-1314A	1	/P	Screw, 5/16-18, 0.75
7	KH-20-041-12-S	1	/P	Exhaust Gasket
8	725-0157	1	/P	Cable, Tie, 3/16 x .05 x 7.4
9	726-0205	1	/P	Hose Clamp
10	728-04000	1		Rivet, Pop, .188 x .325
11	736-0277	1		Flat Washer, 1.031 x 1.620 x .095
12	751-0564B	1	/P	Deflector, Muffler
13	751-10349	1		Fuel Line, Low Permeation
14	751-10353	1		Extension, Deflector
15	951-10517A	1	/P	Drain, Oil
16	751-11022	1		Muffler, Single Inlet
17	751-3141-14	1	/P	Extension Hose, Oil Drain
18	751-10528	1	S	Twin Muffler, Kohler
19	KH-24-086-43-S	1		Self-Tap Screw, M5 x 0.8 Torx
20	KH-47-237-02	1	S	Conduit Dual Clamp, Kohler

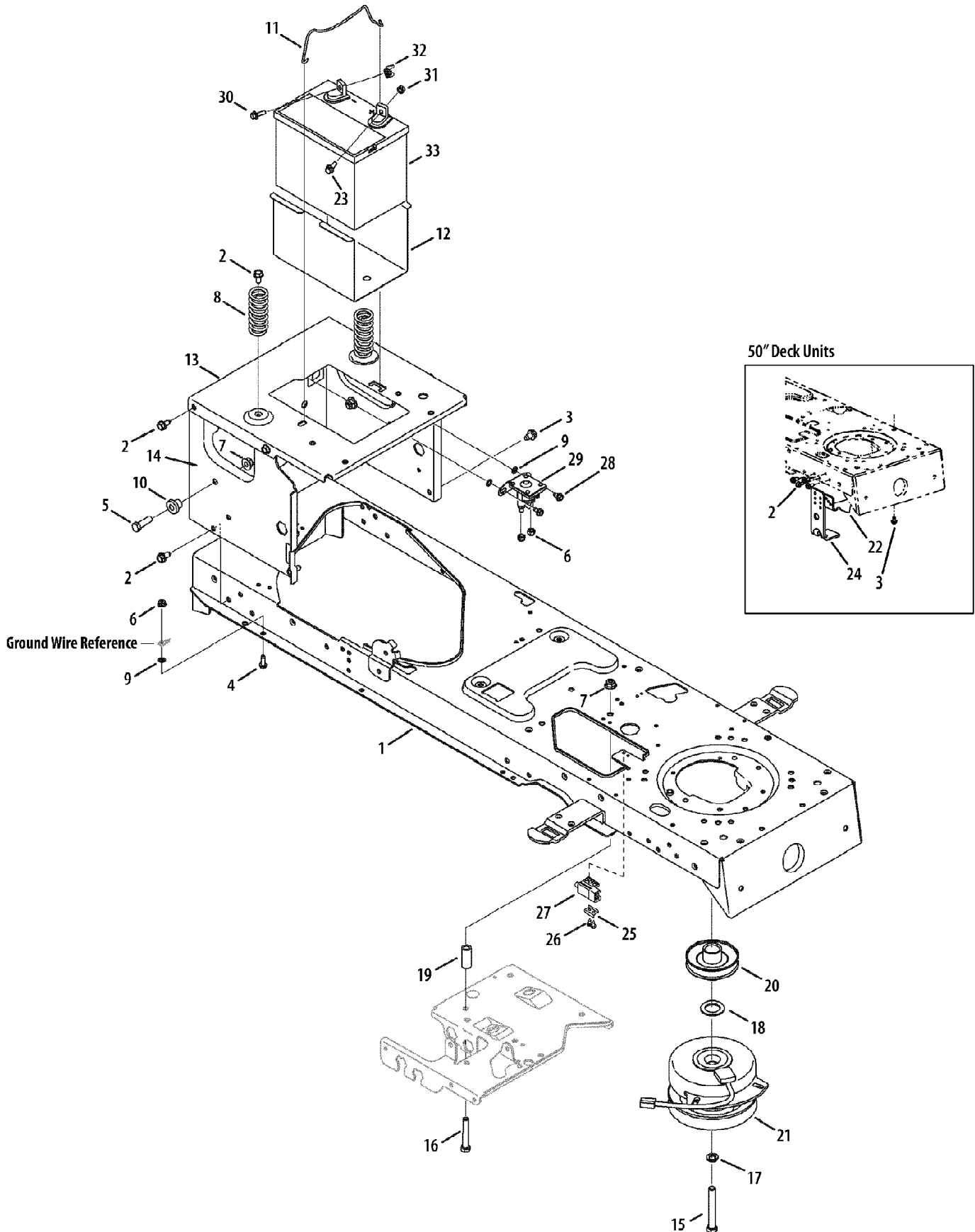
13AP61KP011 Horse (2009)
Fender, Deck Lift & Seat



13AP61KP011 Horse (2009)
Fender, Deck Lift & Seat

Page 7 of 20

Ref #	Part Number	Qty	S/P/F	Description
1	710-0528	1	/P	Hex Screw, 5/16-18 x 1.25 (Sngle. Cyl.) Range Rider
1	710-0451	1	/P	Carriage Bolt, 5/16-18 (Twin Cyl. Models) Horse
2	710-0599	1	/P	Screw, 1/4-20, 0.500
3	710-04484	1		Screw, 5/16-18, 0.750x
4	710-0895	1		Screw, 1/4-15, 0.750
5	712-04063	1	/P	Nut, Flange Lock, 5/16-18, GrF
6	731-06795	1		Deck Lift Lever Cover
7	731-1993A	1		Cover with Cup Holder
8	735-0690	1		Grommet, .4375 x .750 (Sngle. Cyl.) Range Rider
9	736-3078	1	/P	Washer, Flat,.344 x 1.0 x.063
10	750-3310	1		Flanged Spacer (Sngle. Cyl. Models only) Range Rider
11	783-06246-0638	1		Hydro Fender, 4-style
12	783-0677B-0637	1	/P	Deck Lift Plate
13	720-04061	1		Knob, 3/8-16
14	938-0296	1	/P	Screw, Shoulder,.437 x.268
15	712-3004A	1	/P	Flange Lock Nut, 5/16-18
16	783-06049-0637	1		Seat Mount Bracket
17	783-06088-0637	1		Seat Pivot Bracket
18	783-06266-0637	1	/P	Seat Knob Adjust Bracket
19	757-04086	1		High Back Seat
20	683-04223-0637	1	/P	Deck Lift Shaft Assembly
21	712-04065	1	/P	Nut, Flange Lock, 3/8-16, GrF
22	914-0104	1	/P	Pin, Cotter,.072 Dia. x 1.13
23	914-0111	1	/P	Pin, Cotter, 3/32, 1.0
24	716-0106A	1		Ring, E Type,.625 Dia.
25	720-0311	1		Grip, Handle, 1/2
26	732-0874	1	/P	Spring, Torsion
27	738-0138A	1	/P	Screw, 5/16-18 x.620 Gr2
28	738-04130	1		Scr.,Shldr, .625 x.165,(42" Deck) Range Rider
28	938-0380	1	/P	Scr.,Shldr, .500 x.270, (50" Deck) Horse
29	941-0225	1	/P	Bearing, Hex Flange
30	746-0968	1		Cable, Lift, 16.16
31	747-04447	1		Handle, Lift
32	756-1154	1		Pulley, Roller
33	783-04494B-0637	1	S	Arm, Lift - RH (42" Deck) Range Rider
33	783-04711B-0637	1	S	Arm, Lift - LH (42" Deck) Range Rider
33	783-05546-0637	1	S	Arm, Lift - Universal (50" Deck) Horse
34	726-3046	1	/P	Ratchet Clip
35	735-0656	1		RH Foot Pad
36	735-0657	1		LH Foot Pad

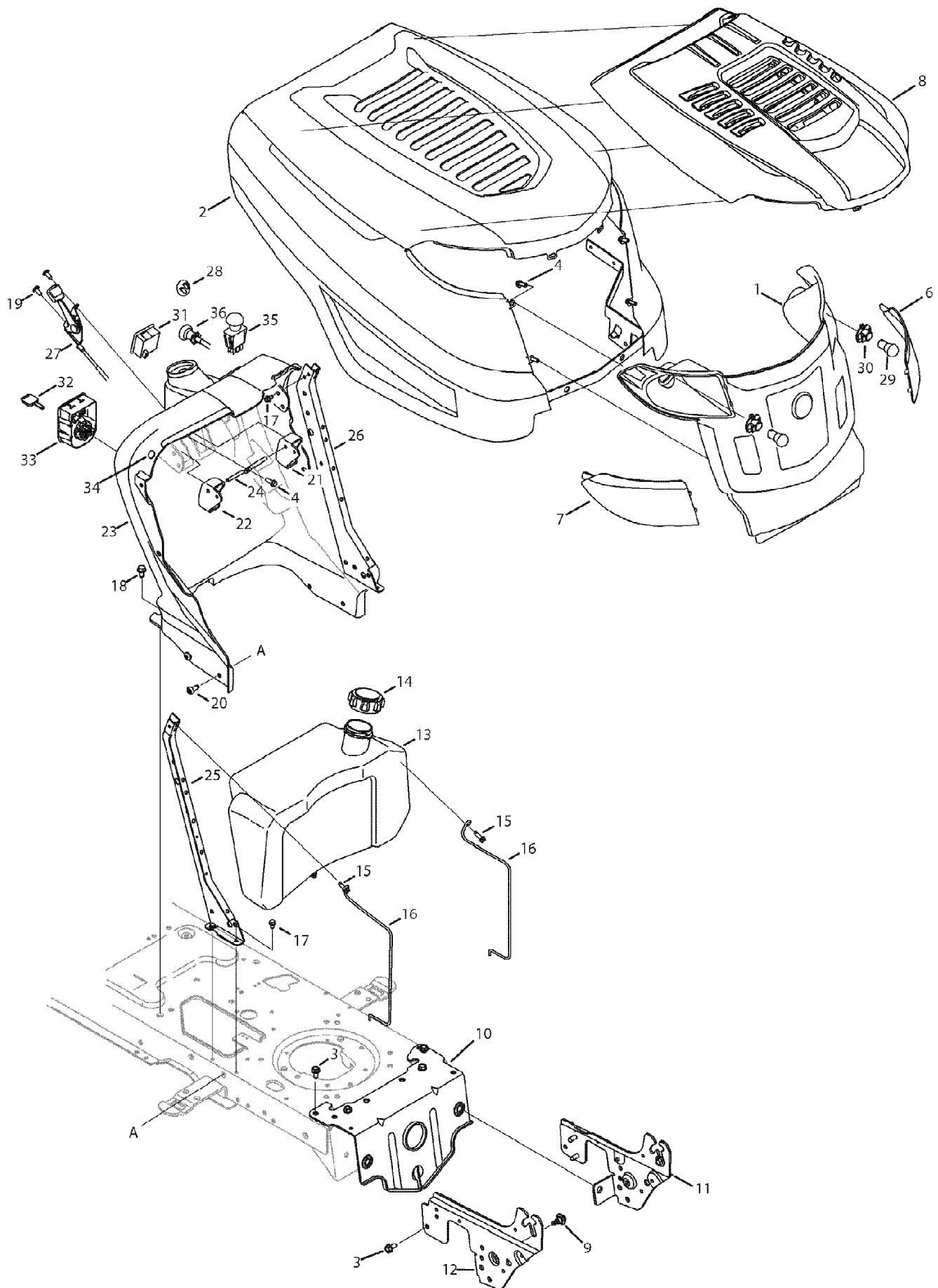


13AP61KP011 Horse (2009)
Frame & Electric PTO

Page 9 of 20

Ref #	Part Number	Qty	S/P/F	Description
1	683-04173B-0637	1	/P	Frame Assembly, Lower
2	710-04484	1		Screw, 5/16-18 x 0.75
3	710-0607	1	/P	Screw, 5/16-18, 0.500
4	710-0642	1	/P	Screw, 1/4-20, 0.750
5	710-3005	1	/P	Screw, 3/8-16, 1.25, Gr5
6	712-04064	1	/P	Nut, Flange Lock, 1/4-20
7	712-04065	1	/P	Nut, Flange Lock, 3/8-16
8	732-04035	1		Spring, Compress., 1.28 x 3.125
9	936-0222	1	/P	Washer, Lock, 1/4, External
10	738-04058	1		Spacer, Shoulder,.38 x 1.0 x.70
11	747-04121A	1		Hold Rod, Battery
12	783-0349-0637	1		Battery Tray
13	783-06089-0637	1		Seat Bracket, Frame
14	783-04809C-0637	1	/P	Frame, Upper
15	710-04379A	1		Screw, 7/16-20, 3.50, Gr5, Lock
16	710-3011	1	/P	Screw, 3/8-16, 2.25, Gr5
17	936-0171	1	/P	Lock Washer, 7/16
18	736-0277	1		Washer, Flat, 1.031 x 1.620 x.095
19	748-0415B	1	/P	Spacer,.385 ID x.635 OD x 1.54
20	756-0978B	1	/P	Pulley, Engine, 3.56 Diameter
21	917-04174A	1	/P	PTO Clutch, Electric (50" Deck Units)
22	783-04419B-0637	1	/P	Clutch Bracket
23	738-1132	1		Screw, Shoulder,.250 x.15, 1/4-20
24	783-04467-0637	1	/P	Deck Bracket, Up-Stop (50" Deck)
25	17962	1		Switch Plate
26	910-0224	1	/P	AB Screw, #10-16 x.500
27	925-04039	1	/P	Switch
28	710-0599	1	/P	Screw, 1/4-20, 0.50
29	725-04439	1		Solenoid, 12V, 100 Amp
30	710-04666	1		Hex Flange Bolt, 1/4-20,.75
31	712-0271	1	/P	Nut, Sems, 1/4-20
32	712-3087	1	/P	Nut, Wing, 1/4-20
33	925-1707D	1	/P	Battery, 245 CCA

13AP61KP011 Horse (2009)
Hood & Dash Assembly

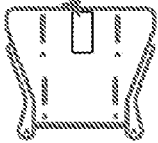


13AP61KP011 Horse (2009)
Hood & Dash Assembly

Page 11 of 20

Ref #	Part Number	Qty	S/P/F	Description
1	631-04272	1	/P	Grill Assembly
2	683-04441-0638	1		Hood, K-Style
3	710-04484	1		Screw, 5/16-18, 0.625
4	710-0895	1		Self-tapping Screw, 1/4-15 x.75
6	731-06095	1		Headlight Lens (LH)
7	731-06096	1		Headlight Lens (RH)
8	731-06194A	1	/P	TB Hood Scoop
9	738-04091A	1	/P	Shoulder Screw, .43 x.29
10	783-05326-0637	1	/P	Pivot Bar Bracket
11	783-05327B-0637	1	/P	Pivot Support Bracket, LH (42" Dk.) Range Rider
11	783-05417-0637	1		Pivot Support Bracket, LH (50" Dk.) Horse
12	783-05328A-0637	1	/P	Pivot Support Bracket, RH (42" Dk.) Range Rider
12	783-05418-0637	1		Pivot Support Bracket, RH (50" Dk.) Horse
13	751-10609	1		Fuel Tank, 2.5 gal.
14	751-0603A	1	/P	Fuel Tank Cap
15	710-0642	1	/P	Screw, 1/4-20, 0.750
16	747-04161	1		Gas Tank Support Rod, RH
16	747-04946	1		Gas Tank Support Rod, LH
17	710-0599	1	/P	Screw, 1/4-20, 0.500
18	710-0607	1	/P	Screw, 5/16-18 x 0.500
19	710-1017	1	/P	Screw, 1/4-14 x.625
20	710-1611B	1	/P	Screw, 5/16-18 x.75
21	731-04728	1		Parking Brake Button
22	731-04729	1		Cruise Control Button
23	731-06166	1		Dash Panel w/ Manual PTO Range Rider
23	731-06168	1		Dash Panel w/ Electric PTO Horse
24	747-1196	1		Brake/Cruise Pivot Rod
25	783-04285F-0637	1	/P	RH Dash Support Plate
26	783-04323F-0637	1	/P	LH Dash Support Plate
27	746-04364	1		Throttle/Choke Cntrl. Cable (Single) Range Rider
27	746-04417	1	S	Throttle Cable (Twin Cyl.) Horse
28	731-1999	1		Choke Plug
29	925-0963	1	/P	Headlamp, 12V
30	925-1649	1	/P	Lamp Socket
31	925-04156	1	/P	Systems Ind. Monitor w/ Amtr.
31	925-04036C	1	/P	Service Reminder / Hour Indicator
32	925-1745A	1	/P	Ignition Key w/ plastic cover
33	925-04227B	1	/P	Module, Ignition Switch
34	735-0271A	1	/P	Rubber Bumper, .62 dia. x .3
35	925-04174	1	/P	Electric PTO Switch
36	746-1085A	1	S	Choke Control Cable (Twin Cyl.) Horse
	725-04864	1		Wire Harness (Manual PTO) Not Shown - Range Rider
	725-04862	1		Wire Harness (Electric PTO) Not Shown - Horse
	777X43039	1		Headlight Lens Reflector RH Not Shown
	777X43038	1		Headlight Lens Reflector LH Not Shown
	725-0157	1	/P	Cable Tie, 3/16 x .05 x 7.4 Not Shown

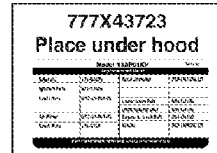
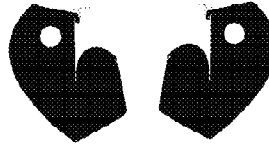
(MODEL PLATE)



777S32539



877S010009
Place Into Correct Light Ports With Shiny
Mylar Surface Facing Out. Assemble
Lenses Correctly and Crease Edges Firmly
Drivers RIGHT Drivers LEFT
(777X43039) (777X43038)

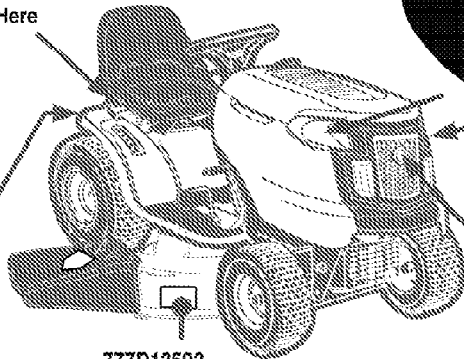


If BJ label Has
Important Em-
issions Informa-
tion Place
Label Here

777120801



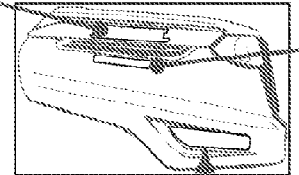
777D12005
Center REAR Fender



777D12014 x 2
Align To Top Side Of Hood On Both Sides -
Center Over Intake



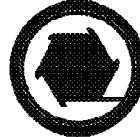
777D12599 x 2
Center under the intake



777122679
Top Of Engine in Position
Shown On Correct Engine



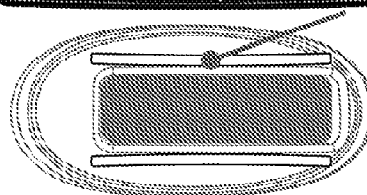
777D12592



777X43688
On Engine Placed Near
Gas Tank Opening



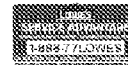
777123171



777D13263
Align to Right LOWER Side Panel



777X43244
Line up behind battery
MUST BE VISIBLE



777D13264
Align to Left LOWER Side Panel



877S30036

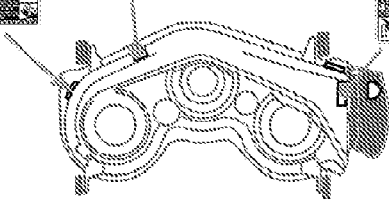
777S30015
Place On Deck
Vertically



777122265



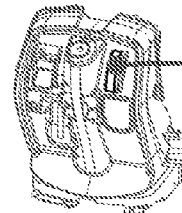
777S30503



777D06673
(Qty 2) On Left And
Right Side Of Deck
Next To Deck Nozzle



777122223



13AP61KP011 Horse (2009)
Label Map Horse

Page 13 of 20

Ref #	Part Number	Qty	S/P/F	Description
777S32539	777S32539	1		LABEL:RIDER:SAFETY
777I20801	777I20801	1		LABEL-HITCHPLATE
777D12005	777D12005	1		LABEL-RIDER REAR FENDER TROY
777D12592	777D12592	1		LABEL-RIDER DECK TROY 50"
777I22679	777I22679	1		LABEL-CHECK ENG OIL
777X43688	777X43688	1		LABEL-ETHANOL
777S30015	777S30015	1		LBL.RIDER DNGR.STRAIGHT
777I22265	777I22265	1		LABEL-BELT ROUTE
777S30503	777S30503	1	/P	LABEL-DANGER CHUTE
777I23171	777I23171	1		LABEL-RIDER DECK HT RT99
777D06873	777D06873	1		LABEL-DECK
777I22223	777I22223	1		LABEL-DASH RH
777X43244	777X43244	1		LABEL-LOWE'S SERVICE ADVANTAGE
777D13264	777D13264	1		LABEL-RIDER HOOD HORSE LH
777D13263	777D13263	1		LABEL-RIDER HOOD HORSE RH
777D13024	777D13024	1		LABEL-TROYBILT/GEAR
777D12589	777D12589	1		LABEL-RIDER K-STYLE HOOD HYDRO
777D12014	777D12014	1		LABEL-RIDER HOOD K STYLE TROY
777X43038	777X43038	1		LABEL-RIDER K STYLE LH
777X43039	777X43039	1		LABEL-RIDER K STYLE RH
777X43723	777X43723	1		LABEL-RIDER PARTSLIST:13AP61KP/09

13AP61KP011 Horse (2009)
Mowing Deck 50 Inch

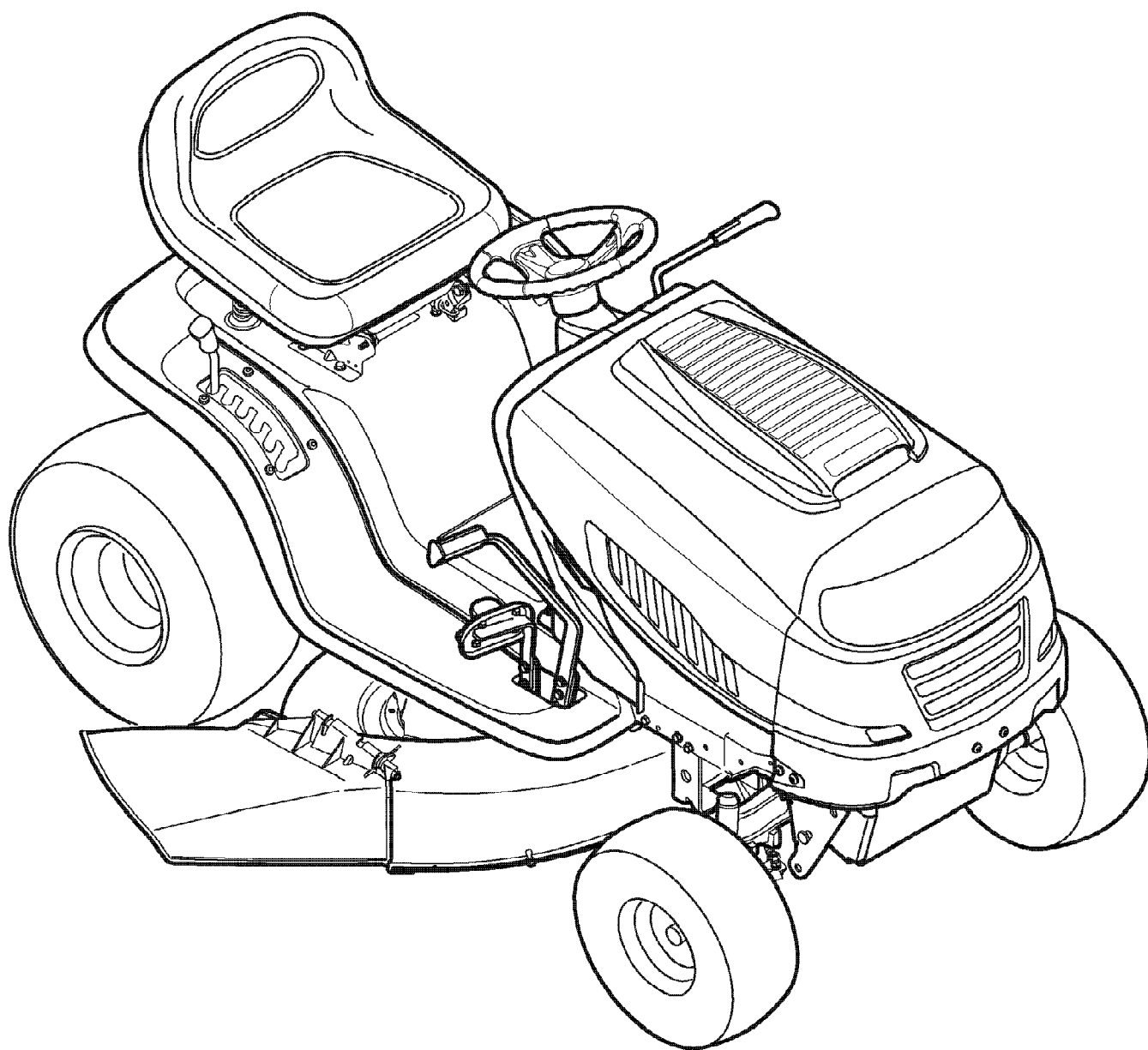
Page 15 of 20

Ref #	Part Number	Qty	S/P/F	Description
1	96606	1	/P	Hook, Retainer
2	918-04126A	1	S	Spindle Assembly
2	712-0417A	1	/P	Flange Nut:5/8-18 Not shown
2	736-0315	1	/P	Flat Washer:.760 x 1.50 X .120 Not shown
2	937-3000	1	/P	Grease Fitting:3/16:LNC #70:DRIVE Not shown
2	738-1010A	1	/P	Spindle Shaft:5.75 LG. Not shown
2	941-0919	1	/P	Ball Bearing:20x47x14:62 Not shown
2	748-0160A	1		Spacer:.790 ID x 1.25 OD X .175 Not shown
2	750-1000	1		Spacer:.80 x 1.10 x 1.322 Not shown
2	750-1349A	1	/P	Spacer:.79 x 1.82 x .55 Not shown
2	756-04216	1		Deck Pulley Not shown
3	683-0254B-0637	1	/P	Hanger Bracket Assembly
4	983-04075B-0637	1	/P	Weldment, 50-inch Deck
5	703-3279-0637	1		Chute Stop
6	710-0347	1	/P	Screw, 3/8-16, 1.75
7	710-04095	1		Screw, 3/8-16 x 1.0
8	710-0528	1	/P	Screw, 5/16-18, 1.25, Gr5
9	710-0599	1	/P	Screw, 1/4-20 x 0.5
10	710-0607	1	/P	Screw, 5/16-18, .500
11	731-04651	1		Mulch Plug
12	710-1260A	1	/P	Screw, 5/16-18, .750
13	710-3005	1	/P	Screw, 3/8-16, 1.25
14	710-3103	1	/P	Screw, 5/16-18 x 2.00
15	710-3178	1	/P	Screw, Carriage, 3/8-16 x .75
16	912-0206	1	/P	Hex Nut, 1/2-13
17	712-0229	1		Push Nut Retainer
18	712-04063	1	/P	Nut, Nylon Lock, 5/16-18
19	712-04065	1	/P	Nut, Nylon Lock, 3/8-16
20	712-0417A	1	/P	Nut, Hex, Flange, 5/8-18
21	912-0431	1	/P	Nut, Nylon Lock, 3/8-16, Top Lock
22	912-0641	1	/P	Nut, Hex, M16-1.5
23	912-3010	1	/P	Nut, Hex, 5/16-18, Gr5
24	712-3083	1	/P	Hex Lock Nut, 1/2-13
25	914-0470	1	/P	Pin, Cotter, 1/8 x 1.25
26	917-04074	1	/P	Deck Adjustment Gear
27	932-0306A	1	/P	Spring, Compression, .531 x 1.75
28	732-0459C	1	/P	Spring, Extension, .94 x 6.74
29	732-0934	1		Spring, Lift Assist
30	734-04155	1		Deck Wheel, 5.0
31	734-0973	1	/P	Deck Wheel, 5.0
32	936-0119	1	/P	Washer, Lock, 5/16
33	736-0225	1	/P	Lock Washer, 5/8"
34	936-0300	1	/P	Washer, Flat, .406 x .875 x .059
35	938-0373	1	/P	Shoulder Screw
36	738-04146	1		Bolt Plug
37	738-04162A	1	/P	Spacer, Shoulder, .884 x .190
38	738-3056	1	S	Shoulder Screw
39	942-04053C	1	/P	Blade, 17.90
40	747-1116	1	/P	Rod, Deck Release .375 Dia.
41	747-1324	1		Rod, Deck Adjust
42	954-04164	1	/P	Belt, V-Type
43	756-04129B	1	/P	Pulley, Idler, 3.5"

13AP61KP011 Horse (2009)
Mowing Deck 50 Inch

Page 16 of 20

Ref #	Part Number	Qty	S/P/F	Description
44	631-04070A	1	/P	Chute Assembly, Side Discharge
45	783-04414A-0637	1	/P	Deck Skirt, Center
46	783-04415-0637	1	/P	Deck Skirt, RH
47	783-05280-0637	1		LH Belt Cover
48	783-05281-0637	1		RH Belt Cover
49	783-05474-0637	1		Idler Bracket
50	737-04003D	1	/P	Port, Water
51	736-0187	1	/P	Flat Washer, .64 x 1.24 x .06
52	921-04041	1	/P	Water Nozzle Adapter
53	783-0720C-0637	1	/P	Front Deck Rod Adjustment Bracket
54	914-04023	1	/P	Cotter Pin
55	911-0332	1	/P	Clevis Pin, .50 dia. x .78 lg.

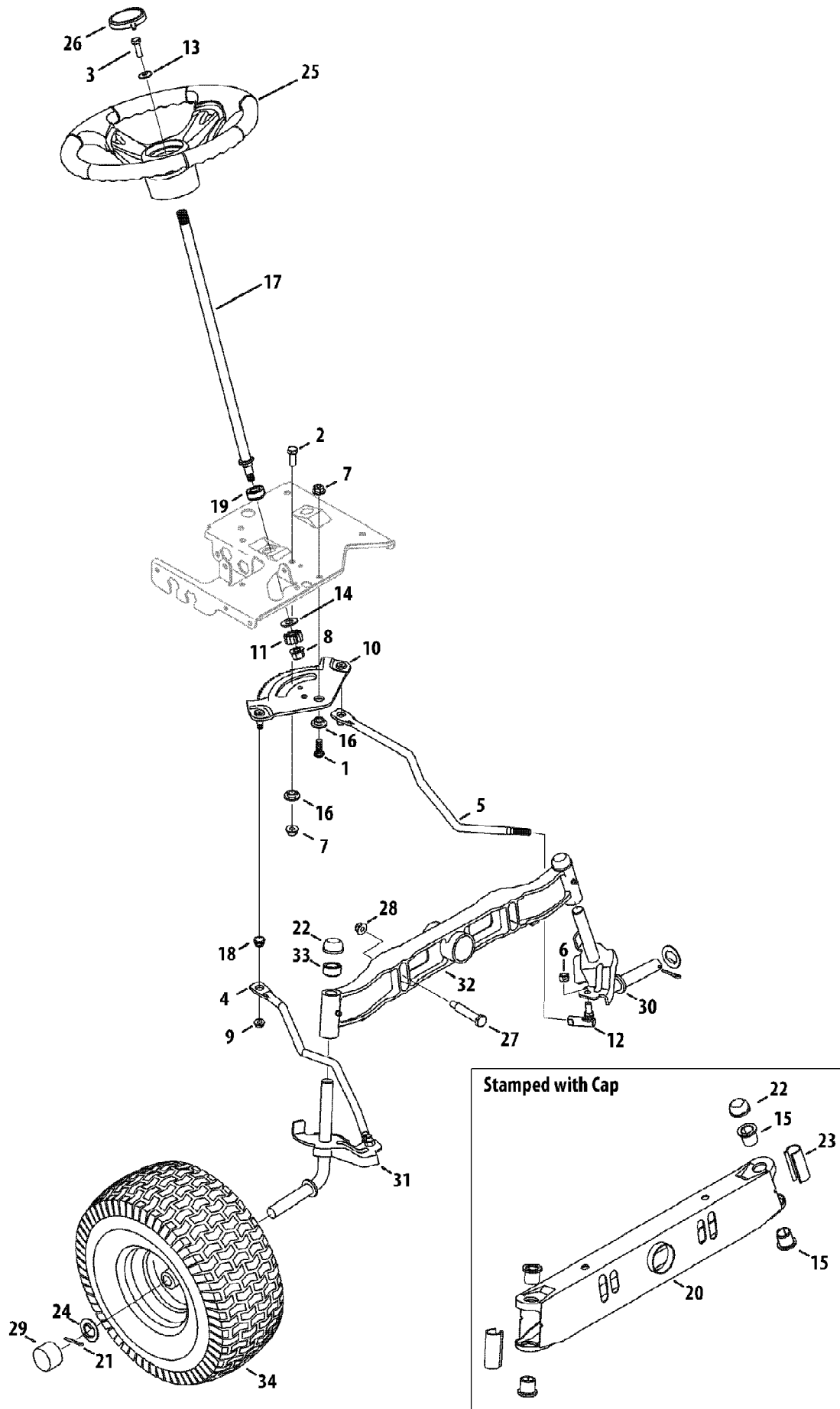


13AP61KP011 Horse (2009)
Quick Reference Horse

Page 18 of 20

Ref #	Part Number	Qty	S/P/F	Description
	NA	1		OIL FILTER
	KH-32-883-03-S1	1	/P	AIR FILTER
	NA	1		PRE-CLEANER ELEMENT
	759-3336	1	/P	SPARK PLUG
	KH-25-050-22-S1	1	/P	FUEL FILTER
	942-04053C	1	/P	BLADES
	712-0417A	1	/P	BLADE NUT
	N/A	1		UPPER DRIVE BELT
	954-04165	1	/P	LOWER DRIVE BELT
	954-04164	1	/P	DECK SPINDLE BELT
	NA	1		ENGINE TO DECK BELT
	918-04125A	1	S	DECK SPINDLES
	925-1745A	1	/P	IGNITION KEYS
	725-04439	1		SOLENOID
	951-3111	1	S	FUEL CAP
	734-04155	1		DECK WHEELS - FRONT
	734-0973	1	/P	DECK WHEELS - REAR
	923-0448A	1	/P	BALL JOINTS
	741-0516B	1	/P	WHEEL BUSHINGS
	741-0990B	1	/P	WHEEL BUSHINGS IN BOARD
	925-04039	1	/P	SAFETY SWITCH-DECK
	925-04039	1	/P	SAFETY SWITCH-BRAKE/CLUTCH
	NA	1		WATER NOZZLE ADAPTER
	OEM-190-193	1		MULCH KIT Attachment
	19A40002OEM	1	/P	BAGGER Attachment
	OEM-190-679	1	/P	BUMPER KIT Attachment

13AP61KP011 Horse (2009)
Steering & Front Axle Assembly



13AP61KP011 Horse (2009)
Steering & Front Axle Assembly

Page 20 of 20

Ref #	Part Number	Qty	S/P/F	Description
1	710-04095	1		Hex Screw, 3/8-16, 1.00, Gr5
2	710-0514	1	/P	Hex Screw, 3/8-16, 1.00, Gr5
3	710-0643	1	/P	Hex Screw, 5/16-18, 1.00, Gr5
4	711-1408	1		Link, Drag, RH
5	711-1409A	1	/P	Link, Drag, LH
6	912-0214	1	/P	Nut, Hex Lock, 3/8-24
7	712-04065	1	/P	Nut, Flange Lock, 3/8-16, Grf
8	712-0459	1	/P	Nut, Flange Lock, 7/16-20
9	712-3004A	1	/P	Nut, Flange Lock, 5/16-18, Gr5
10	917-1550E	1	S	Gear, Steering, 11/90 Ratio
11	717-1554	1		Gear, Pinion, Steering
12	923-0448A	1	/P	Ball Joint, 7/16-20, Lock
13	936-3004	1	/P	Washer, Flat, .406 x .875 x .105
14	736-3084	1	/P	Washer, Flat, .51 x 1.12 x .06
15	741-0660A	1	/P	Flange Bearing
16	738-04154	1		Spacer, Shoulder, .38 x 1.00 x .31
17	738-04263	1		Shaft, Steering, .625 OD x 24.25
18	941-0475	1	/P	Plastic Bushing .380 ID
19	741-04237A	1	S	Hex Flange Bearing
20	683-0128B-0637	1	/P	Pivot Bar Axle Assembly
21	714-0162	1	/P	Cotter Pin, 5/32 x 1.25 (Cast Axle)
22	726-0341	1	/P	Push Cap, 3/4
23	931-1291A	1	/P	Pivot Bar End Cap w/ fitting
24	736-04228A	1		Flat Washer, .781 x 1.59
25	631-04008A	1	/P	Steering Wheel
26	731-04681	1		Steering Wheel Cap, TB Logo
27	738-04128	1		Shoulder Bolt, .5 x 2.38, 3/8-16
28	712-04065	1	/P	Flange Lock Nut, 3/8-16
29	731-05674	1		Hub Cap, Standard
30	938-04006A-0637	1	/P	LH Axle Assembly, .750 (42" Deck) Range Rider
30	638-04003AP	1	/P	LH Axle Assembly, .750 (50" Deck) Horse
31	938-04005A-0637	1	/P	RH Axle Assembly, .750 (42" Deck) Range Rider
31	938-04004A	1	/P	RH Axle Assembly, .750 (50" Deck) Horse
32	719-04177A	1		Pivot Bar End, Cast
33	748-04068	1		Spacer, Shoulder, .71 x .125 x .56
34	634-04086-0911	1	/P	Wheel Assembly Complete, 15x6
34	734-1731-0901	1	/P	Tire Only 15 x 6 x 6 Not shown
34	934-04081-0662	1	/P	Rim Only w/ Valve Stem Not shown