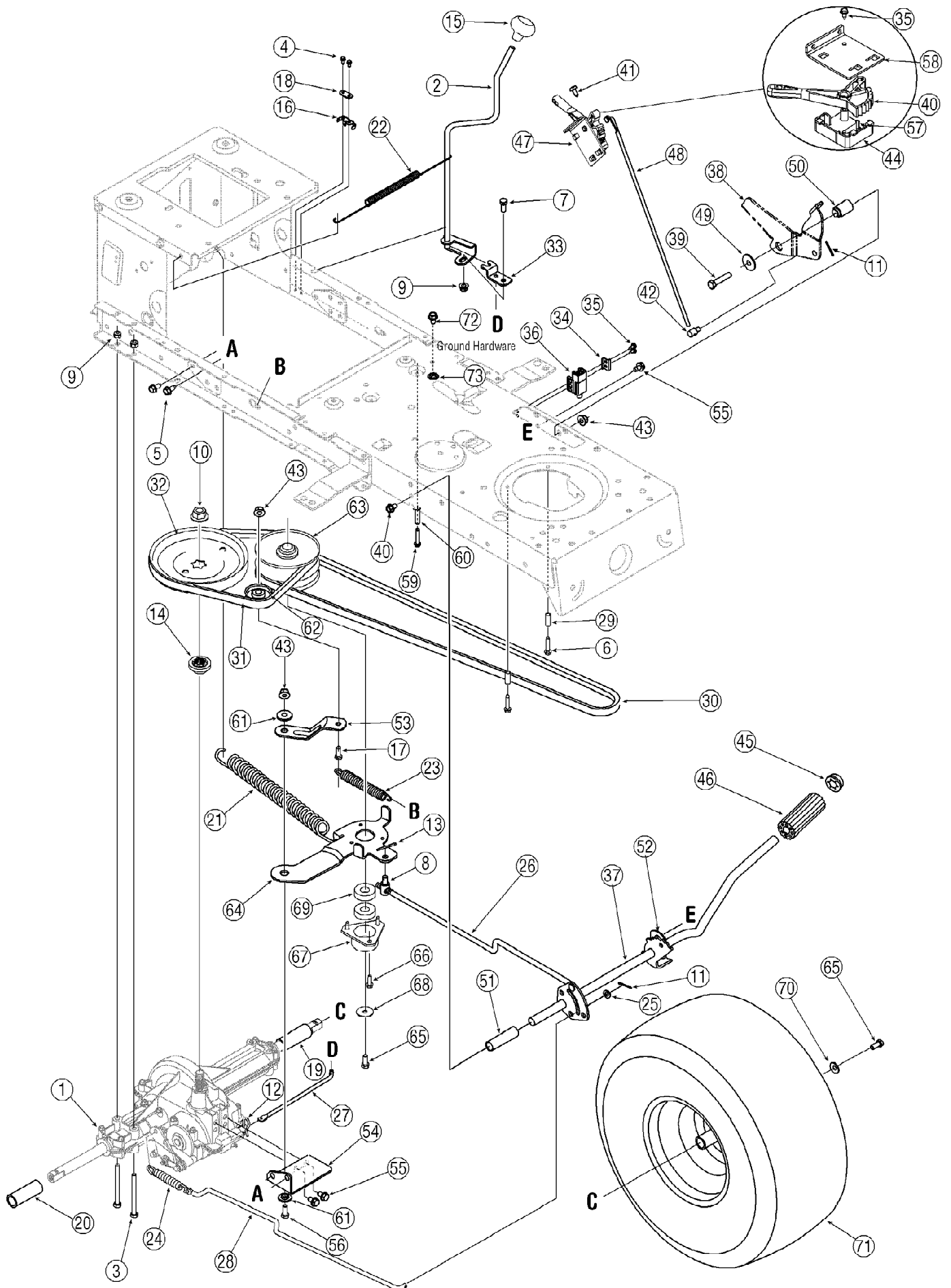


13AN77TG766 Pony (2006)
Deck Assembly

Page 2 of 19

Ref #	Part Number	Qty	S/P/F	Description
1	918-0624	1	S	Spindle Assembly, Pulley, 6.23"
1	712-0417A	1	/P	Flange Nut:5/8-18 Not shown
1	738-1010A	1	/P	Spindle Shaft:5.75 LG. Not shown
1	941-0919	1	/P	Ball Bearing:20x47x14:62 Not shown
1	748-0433	1		Spacer:.820 x 1.150 x .730 Not shown
1	750-1000	1		Spacer:.80 x 1.10 x 1.322 Not shown
1	956-1227	1	/P	Deck Pulley:6.3 Dia Not shown
2	683-04138A	1	S	Brake Assembly, Deck
3	683-04165A	1	S	Deck Shell, 42" (w/o Wheel Brkt)
4	683-04167	1	S	Brake Assembly, Deck
5	683-04228	1		Brkt. Ass'y, Deck, Hanger LH
6	710-3015	1	/P	Screw, 1/4-20, .75, Gr5
7	710-1260A	1	/P	Screw, 5/16-18, 0.750
8	710-0528	1	/P	Screw, 5/16-18, 1.250
9	710-0604A	1	/P	Screw, 5/16-18, 0.625
10	710-3085	1	/P	Screw, 3/8-16, 3.50, Gr5
11	710-0778	1	/P	Screw, 1/4-20, 1.500
12	710-3008	1	/P	Screw, 5/16-18, .75, Gr5
13	710-0134	1	/P	Carriage Screw, , 1/4-20 x .62
14	N/A	1		Chute Stop
15	712-3006	1	/P	Nut, Hex, 1/4-20, Gr5
16	712-0417A	1	/P	Nut, Flange, 5/8-18
17	731-1032B	1	S	Chute Assembly, Discharge
18	712-04063	1	/P	Nut, Flange Lock, 5/16-18, GrF
19	712-04065	1	/P	Nut, Flange Lock, 3/8-16
20	712-0641	1	S	Nut, Hex, M16-1.5
21	712-3083	1	/P	Nut, Hex Lock, 1/2-13, Gr8
22	712-0206	1	S	Nut, Hex, 1/2-13, Gr5
23	714-0104	1	S	Pin, Cot, .072 Dia. x 1.13
24	717-04074	1	S	Gear, Deck Adjustment
25	726-0233	1	/P	Nut, Push, .25 ID x .50 OD
26	732-04280A	1	S	Spring, Exten. , .75 Dia. x 6.375
27	732-04287	1		Spring, Exten. , .50 Dia. x 6.375
28	710-0347	1	/P	Screw, 3/8-16 x 1.75
29	736-0119	1	S	Washer, Lock, 5/16
30	736-0270	1	/P	Washer, Bell, .265 x.75 x.062
31	783-04740	1		Deck Engagement Cable Bracket
32	736-0267	1	S	Washer, Flat, .385 x .87 x .06
33	736-0225	1	/P	Washer, Lock, 5/8, Internal Tooth
34	736-0187	1	/P	Washer, Flat, .64 x 1.24 x .06
35	738-04166	1		Spacer, Shoulder, .5000 x .1475
36	738-04146	1		Plug, Screw, M16 x 1.5
37	738-04162A	1	/P	Spacer, Shoulder, .8840 x .190
38	742-0616A	1	S	Blade, 21.23", Star 3-in-1
39	731-2363	1	/P	Mulch Plug
40	747-04379A	1	/P	Control Rod, Brake
41	747-04269A	1	/P	Deck Rod, Front Adjustable
42	748-04069	1		Pivot Cup, Deck Lift
43	750-0566A	1	/P	Spacer, .260 x .372 x 1.030
44	754-04060B	1	S	Belt, V-Type
45	756-04129	1	S	Idler Pulley, 4.25" Dia.
46	712-3087	1	/P	Wing Nut, 1/4-20
47	783-04327A	1		Cover, Belt, 6.00 Dia.

13AN77TG766 Pony (2006)
Drive



13AN77TG766 Pony (2006)
Drive

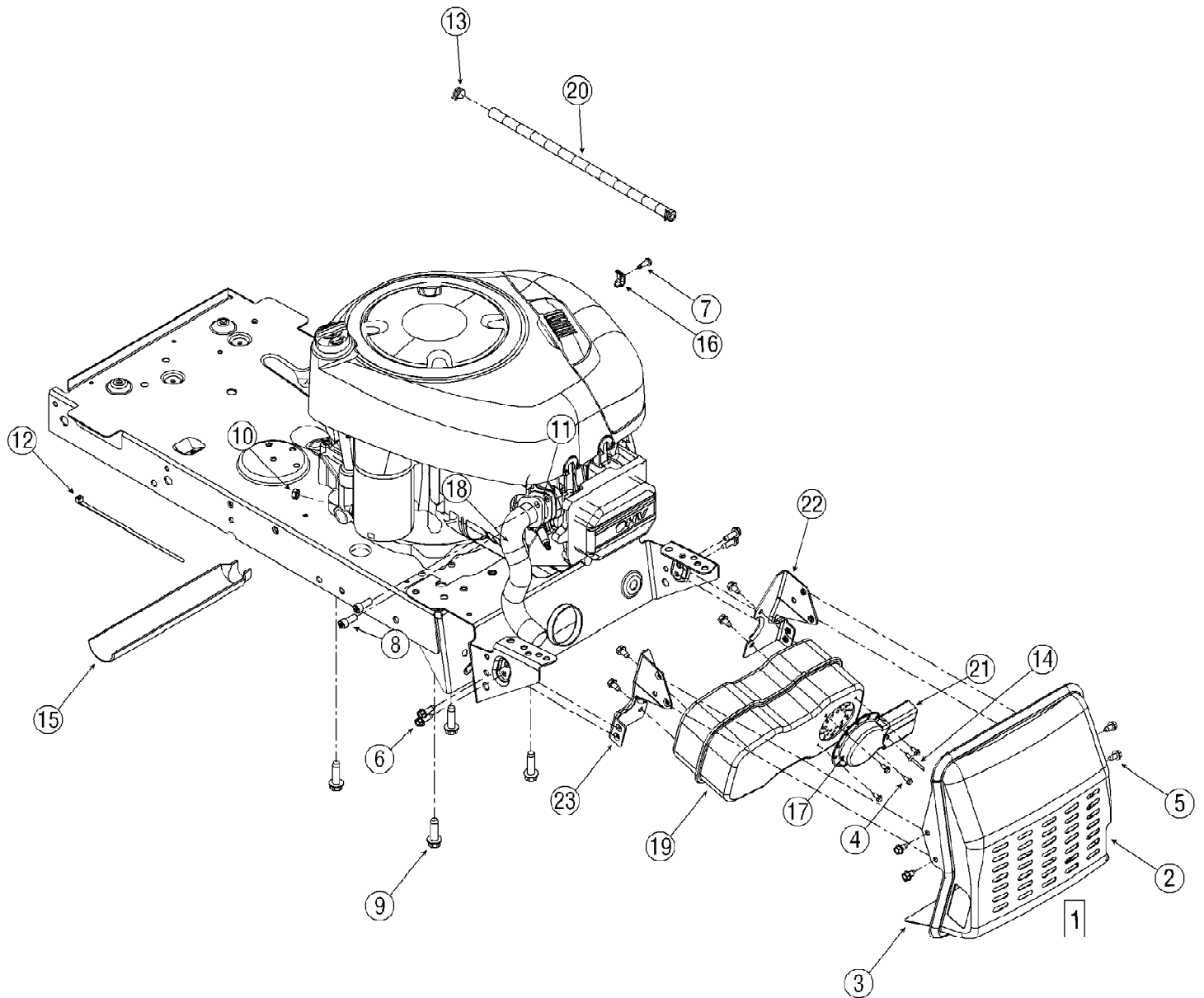
Page 4 of 19

Ref #	Part Number	Qty	S/P/F	Description
1	618-04034	1	S	Transmission Assembly
2	647-04035	1		Lever Assembly, Shift
3	710-0176	1	/P	Screw, 5/16-18, 2.75, Gr5
4	710-0227	1	/P	Screw, #8-18, 0.500
5	710-0726	1	/P	Screw, 5/16-12, 0.750
6	710-0809	1		Screw, 1/4-20, 1.250
7	710-3008	1	/P	Screw, 5/16-18, .75, Gr5
8	711-04075A	1	S	Ferrule, 3/8-24 x .375 Dia.
9	712-04063	1	/P	Nut, Flange Lock, 5/16-18, GrF
10	712-0700	1	/P	Nut, Flange, 9/16-18, Gr2
11	714-0111	1	S	Pin, Cotter, 3/32, 1.0
12	714-0209	1	S	Cotter Pin, Internal .125 Dia
13	714-0470	1	S	Pin, Cotter, 1/8 x 1.25
14	718-0758A	1	S	Hub, Pulley, 5/8 Spline
15	720-04028	1		Knob, Shift
16	725-1644	1		Spring Switch, Short
17	710-0520	1	/P	Screw, 3/8-16 x 1.50
18	726-0320	1	S	Plate, Insulator Nut
19	731-04602	1		Sleeve, .758 x .821 x 3.3125
20	731-04604	1		Sleeve, .758 x .821 x 2.4375
21	732-04076A	1	/P	Spring, Extension, 1.15 OD x 7.90
22	732-04237	1		Spring, Extension, .50 OD x 12.0
23	732-04306	1		Spring, Extension, .80 OD x 3.28
24	732-0716C	1	S	Spring, Extension, .59 OD x 4.00
25	736-0264	1	S	Washer, Flat, .330 x .630 x .0635
26	747-04265	1		Control Rod, Variable Speed
27	747-04277	1		Rod, Shift
28	747-04287	1		Rod, Brake
29	750-0566A	1	/P	Spacer, .260 x .372 x 1.030
30	754-04001A	1	S	Belt
31	754-0241A	1	S	Belt
32	756-04002	1	S	Pulley, V-Type, 7.25 Dia
33	783-04595	1		Shift Bracket, Adjustable
34	17962	1		Plate, Switch
35	710-0224	1	S	Screw, #10-16, 0.500
36	725-04039	1	S	Switch, Interlock
37	647-04034C	1		Pedal Assembly, Drive
38	783-04903	1		Latch Bracket (No RMC)
39	710-1008	1		Screw, 3/8-16, 1.875, Gr5
40	731-05362	1	S	7 Speed Shift Lever
41	710-04483	1		Screw, 1/4-20, 0.500
42	711-0736	1	/P	Adjustment Ferrule 1/4-20
43	712-04065	1	/P	Nut, Flange Lock, 3/8-16, GrF
44	731-05361	1		Control Cover
45	726-0214	1	/P	Push Cap, 5/8
46	735-0239	1	/P	Pad, Foot, 4.0
47	683-04216	1	S	Shift Cont. Assembly, 7-Speed
48	747-04430	1		Control Rod, Speed Selector
49	736-0247	1	/P	Washer, Flat, .406 x 1.25 x .157
50	750-04465	1		Spacer, Flge, .390 x .671 x 1.095
51	750-0802	1		Spacer, .640 ID x .76 OD x 2.63
52	783-04536	1		Support Bracket, Pedal
53	683-04207	1		Bracket, Idler

13AN77TG766 Pony (2006)
Drive

Page 5 of 19

Ref #	Part Number	Qty	S/P/F	Description
54	683-04176A	1	/P	Torque Bracket, Transmission
55	710-0604A	1	/P	Screw, 5/16-18, 0.625
56	710-0520	1	/P	Screw, 3/8-16, 1.50, Gr5
57	732-0627	1		Shift Lever Spring
58	783-04830	1		Control Bracket
59	710-1325	1	/P	Screw, 1/4-20 x 1.625
60	750-04456	1		Spacer, .260 x .372 x 1.420
61	738-0347	1	S	Spacer, Shoulder, .625 ID x .169
62	756-04213	1	/P	Pulley, Flat Idler
63	656-04015	1	S	Pulley Ass'y, Variable Speed
64	683-04206	1		Bracket Ass'y, Variable Speed
65	710-0627	1	/P	Screw, 5/16-24, .750, Gr5
66	710-1652	1	/P	Screw, 1/4-20, 0.625
67	718-04012	1	/P	Cup, Bearing
68	736-0362	1	/P	Washer, Flat, .330 x 1.25 x .06
69	741-0600	1	S	Bearing, Ball, 17 x 40 x 12
70	736-0242	1	/P	Bell Washer, .34 x .872
71	634-0104	1		Wheel Ass'y, Square Shoulder
	734-1730	1		Tire Only, 20 x 8 x 8, Square Shld
	734-0603A	1	S	Rim Assembly (Inc. bearings & stem)
72	710-0599	1	/P	Screw, 1/4-20 x .500
73	736-0222	1	S	Lock Washer, 1/4

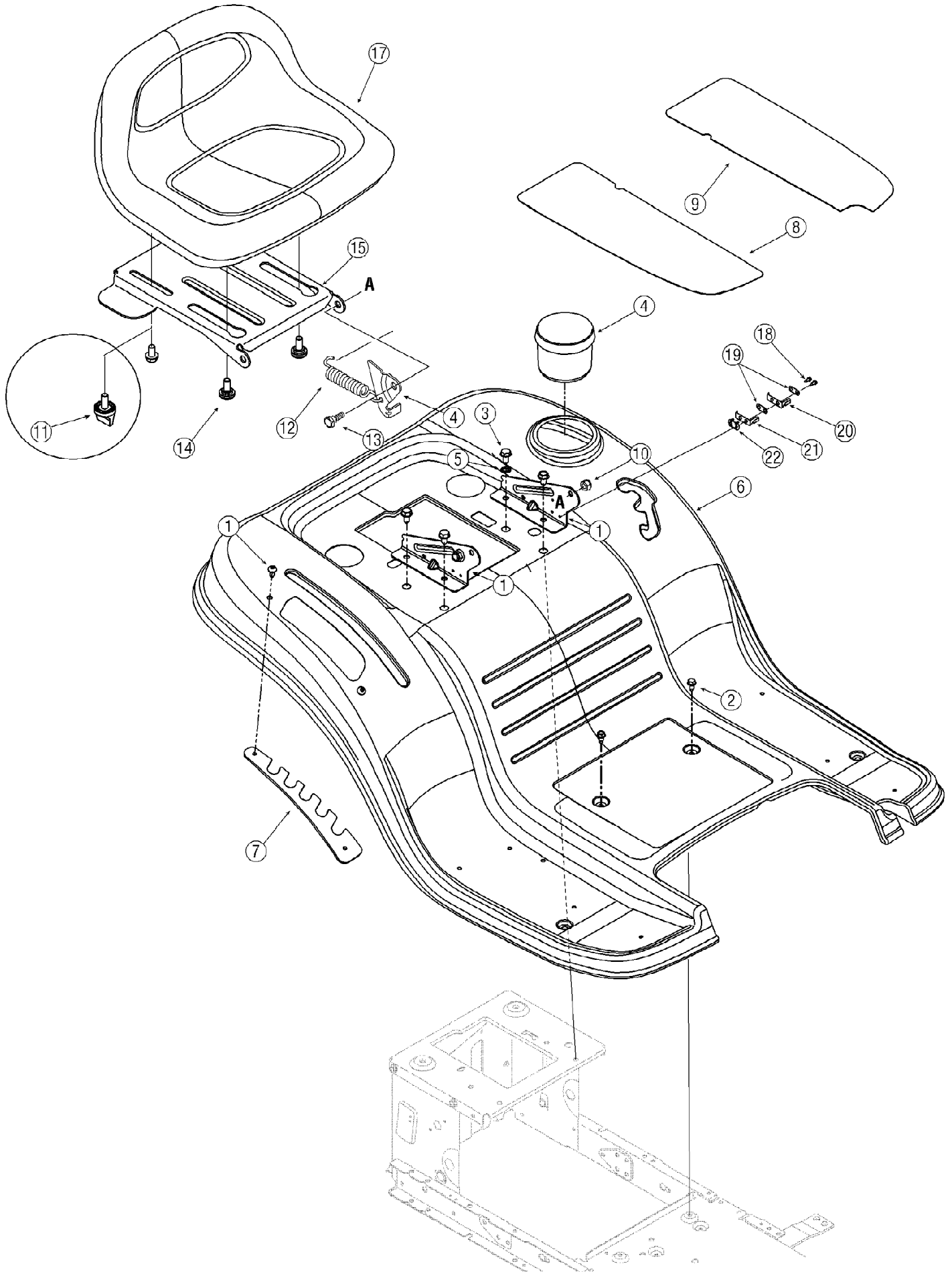


13AN77TG766 Pony (2006)
Engine Accessories

Page 7 of 19

Ref #	Part Number	Qty	S/P/F	Description
1	683-04256	1	S	Muffler Shield Assembly
2	783-04576	1		Muffler Shield
3	783-05006	1	S	Lower Heat Shield
4	710-0227	1	/P	Screw, #8-18 x .50
5	710-0599	1	/P	Screw, 1/4-20, 0.500
6	710-0642	1	/P	Screw, 1/4-20, 0.750
7	710-1237	1		Screw, #10-32, .625
8	710-1314A	1	/P	Socket Cap Screw, 5/16-18, .625
9	710-1315	1	/P	Self-tapping Screw, 3/8-16, 1.25
10	712-0271	1	/P	Hex Sems Nut, 1/4-20
11	721-0208	1	S	Exhaust Gasket
12	725-0157	1	/P	Cable Tie, 7.4"
13	726-0205	1	/P	Hose Clamp, .490
14	728-04000	1		Pop Rivet .188 x .325
15	731-1682A	1	/P	Oil Drain Sleeve
16	751B221535	1	/P	Casing Clamp
17	751-0564B	1	/P	Muffler Deflector
18	751-10013	1		Exhaust Pipe
19	751-10162	1		Muffler, Single Inlet
20	751-10349	1		Fuel Line Hose
21	751-10353	1		Long Muffler Deflector
22	783-04573	1		LH Muffler Bracket
23	783-04574	1		RH Muffler Bracket

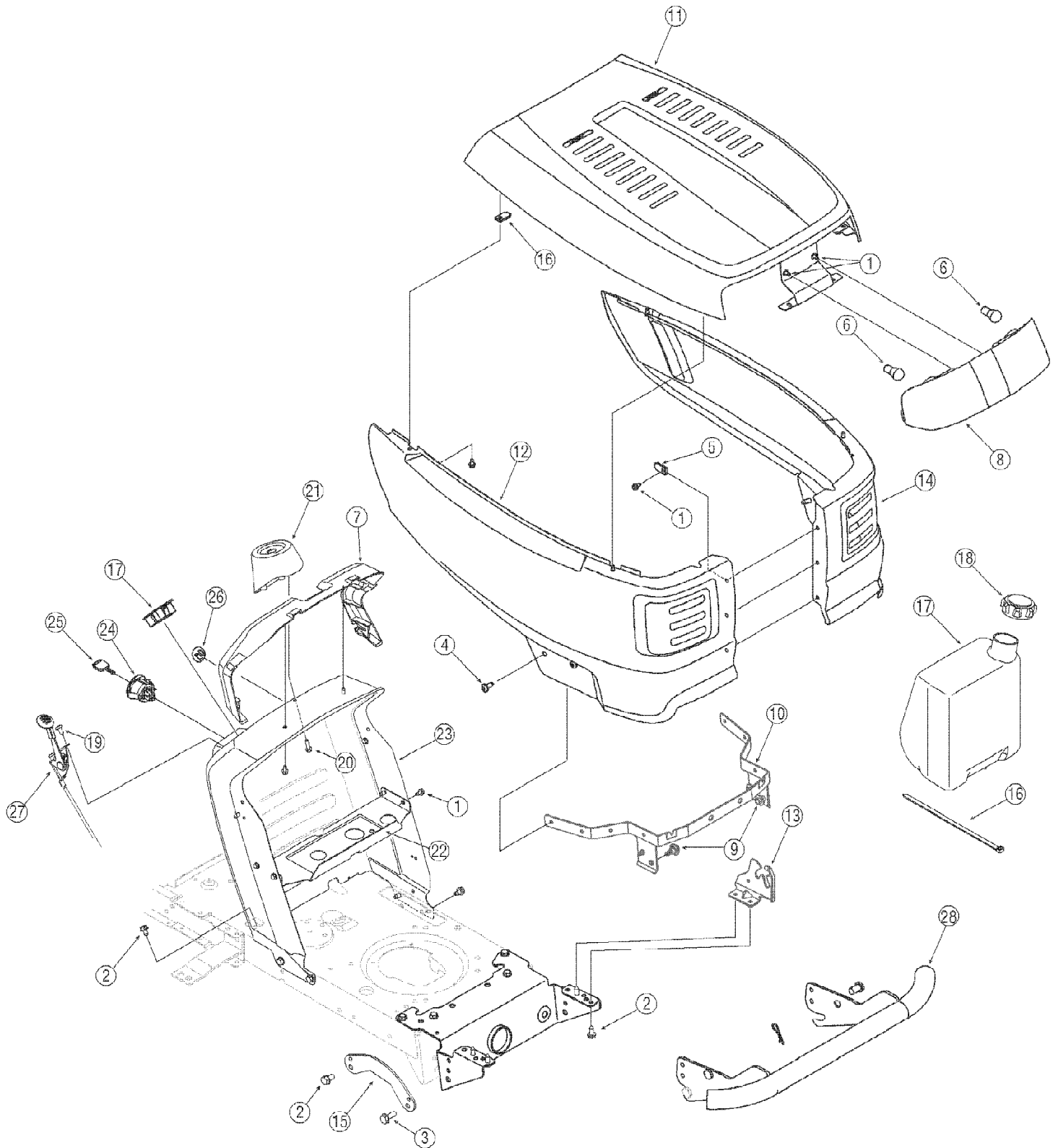
13AN77TG766 Pony (2006)
Fender and Seat Assembly



13AN77TG766 Pony (2006)
Fender and Seat Assembly

Page 9 of 19

Ref #	Part Number	Qty	S/P/F	Description
1	710-04483	1		Screw, 1/4-20 x .500
2	710-0599	1	/P	Screw, 1/4-20, 0.500
3	710-0604A	1	/P	Screw, 5/16-18, 0.625
4	731-04591A	1	/P	Cup Holder
5	736-0607	1	/P	Lock Washer, 5/16
6	783-04587A	1		Fender
7	783-1489B	1	/P	Mounting Bracket, Seat
8	723-04025	1		Foot Pad, Abrasive, RH
9	723-04026	1		Foot Pad, Abrasive, LH
10	712-04063	1	/P	Nut, Flange Lock, 5/16-18, GrF
11	720-04061	1		Knob, 3/8-16, .875
12	732-1184	1	/P	Spring, Exten., .84 Dia x 4.6 Lg
13	738-0296	1	S	Scr., Shlder, .437 x .268, 5/16-18
14	738-04012A	1	/P	Screw, Shlder, .625 x .175, 3/8-16
15	783-04081A	1		Pivot Bracket, Seat
16	783-0209D	1	/P	Lift Bracket, Seat
17	757-04021A	1	S	Seat, Low, Black
18	710-0227	1	/P	Screw, #8-18 x .50
19	726-0279	1		Plate, Insulator
20	725-1303	1	S	Spring Switch, Outer
21	725-1439	1		Spring Switch, Inner
22	726-0278	1		Plate, Insulator Boss

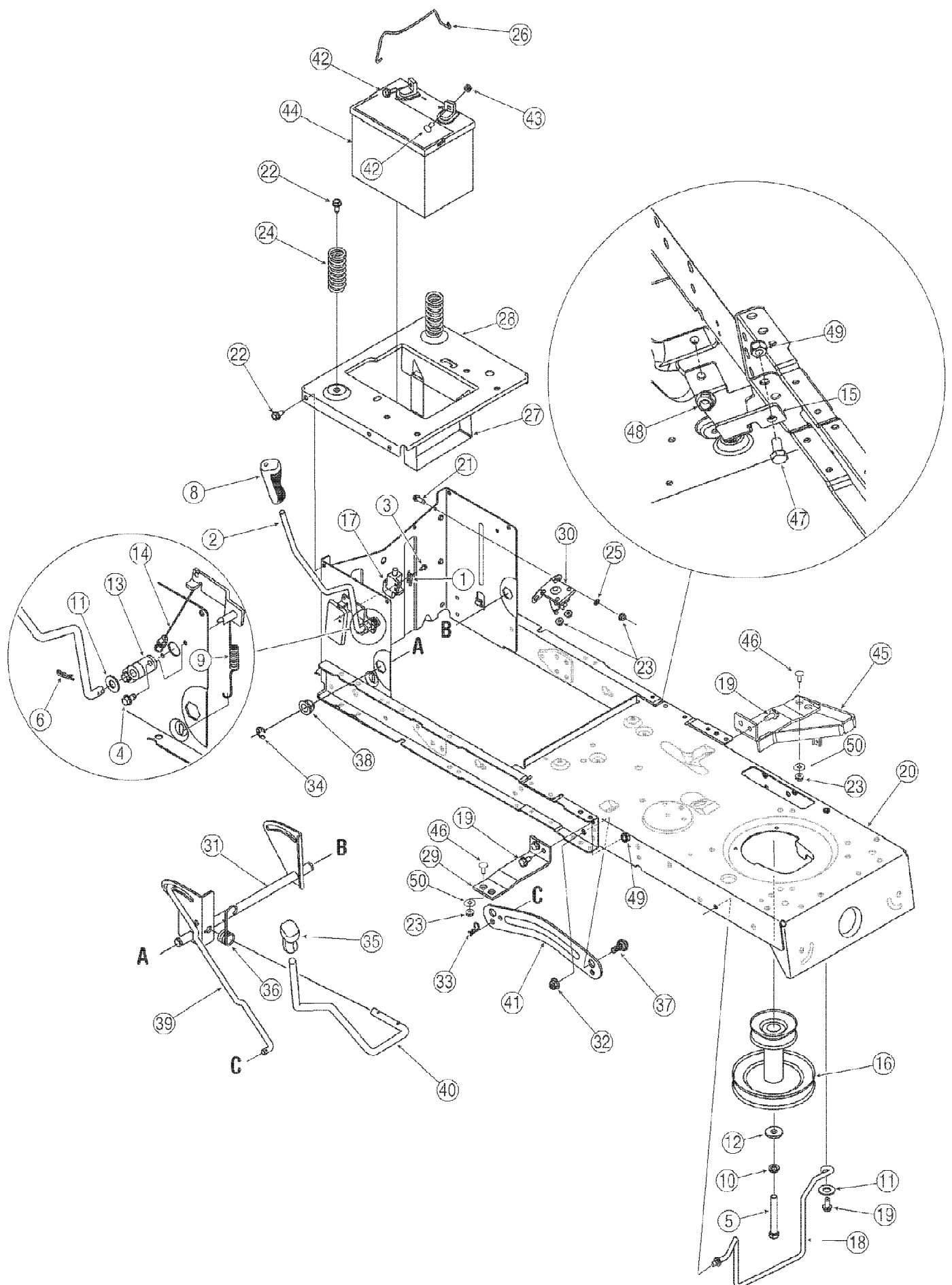


13AN77TG766 Pony (2006)
Hood Assembly

Page 11 of 19

Ref #	Part Number	Qty	S/P/F	Description
1	710-0599	1	/P	Screw, 1/4-20, 0.500
2	710-0604A	1	/P	Screw, 5/16-18, 0.625
3	710-1260A	1	/P	Screw, 5/16-18, 0.750
4	710-1611B	1	/P	Screw, 5/16-18, 0.750
5	712-0185	1		Nut, 1/4-20, Speed U-type
6	725-0963	1	S	Headlamp, 12V
7	731-05078A	1	S	Collar, Dash, 3-Style
8	731-05357	1	S	Troy-Bilt Lens
9	738-04091	1	S	Screw, Shldr, .43 x .29, 5/16-18
10	783-04606A	1		Pivot Bracket
11	783-04827	1		Troy-Bilt Hood
12	783-04828	1		Troy-Bilt Side Panel, RH
13	783-04841	1		Hood Pivot Bracket, LH
13	783-04840	1		Hood Pivot Bracket, RH
14	783-04967	1		Troy-Bilt Side Panel, LH
15	783-05027	1		Front Pivot Support Bracket
16	726-0230	1	/P	Cable Tie, 34.75
17	751-0555B	1	/P	Fuel Tank, 1.5 gal.
18	751-0603	1	S	Fuel Tank Cap
19	710-04483	1		Screw, 1/4-14, .500
20	710-0895	1		Screw, 1/4-15, .750
21	731-04945	1		Support, Steering
22	783-04584	1	S	Gas Tank Support Bracket
23	783-04873	1		Dash Assembly
24	725-1741	1	S	Module, Ignition Switch
25	725-1744	1	S	Key
26	731-05265	1		Choke Plug
27	746-04258	1		Throttle/Choke Control, 25.0
28	OEM-190-672	1	S	Bumper Kit (if equipped)
	725-04361	1	S	Wire Harness (No RMC)

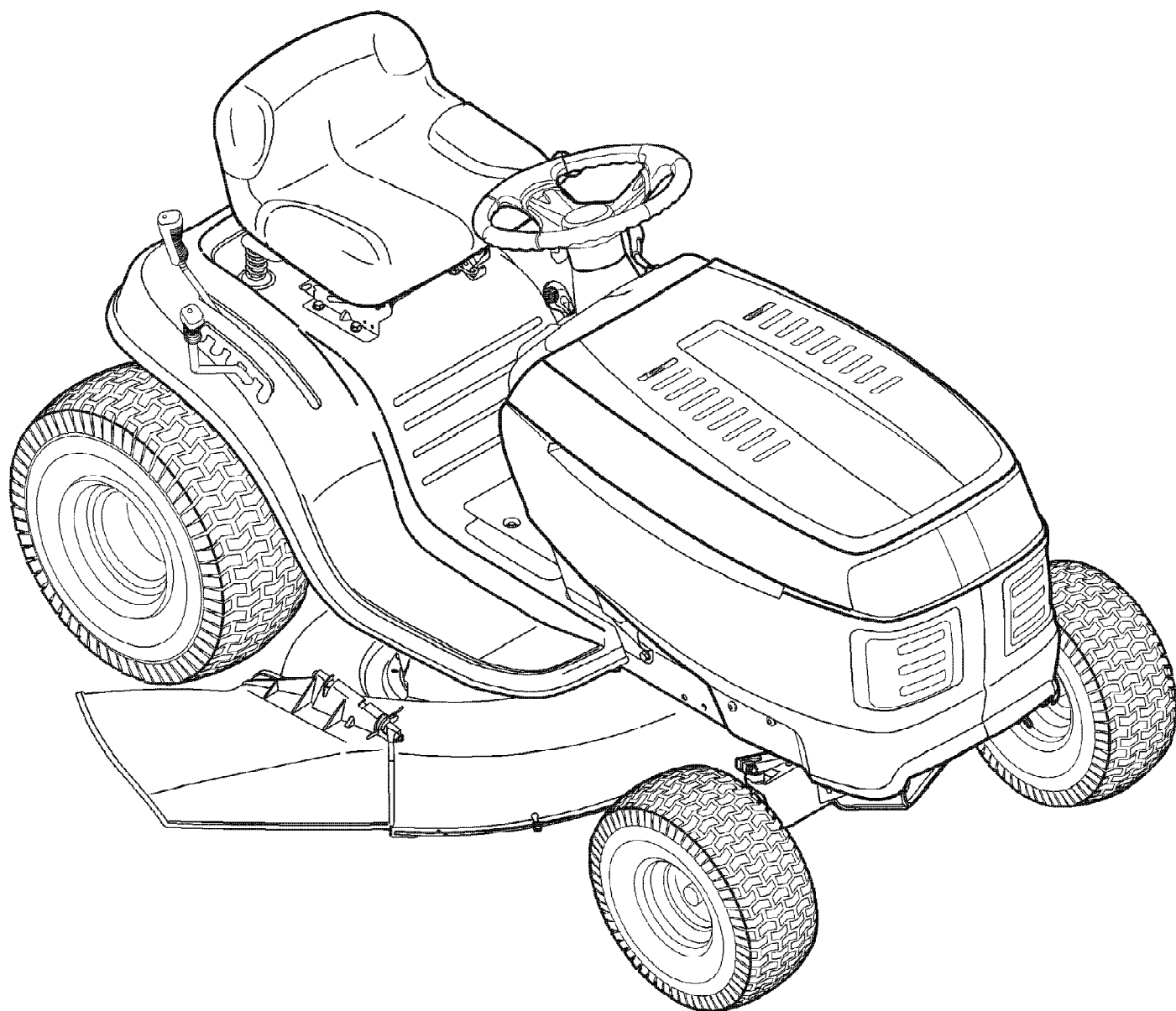
13AN77TG766 Pony (2006)
PTO



13AN77TG766 Pony (2006)
PTO

Page 13 of 19

Ref #	Part Number	Qty	S/P/F	Description
1	17962	1		Plate, Switch
2	647-04040	1		Handle Asswmbly, PTO
3	710-0224	1	S	Screw, #10-16, 0.500
4	710-0599	1	/P	Screw, 1/4-20, 0.500
5	710-3157	1	S	Screw, 7/16-20, 3.25, Gr5
6	714-0104	1	S	Pin, Cotter, .072 Dia. x 1.13
7	714-0145	1	S	Pin, Click, .092 x 1.64
8	720-04049	1	S	Grip, Handle, 3/8
9	732-04276	1	S	Spring, Extension
10	736-0171	1	S	Washer, Lock, 7/16
11	736-0300	1	S	Washer, Flat, .406 x .875 x .059
12	736-0322	1	/P	Washer, Flat, .450 x 1.250 x .164
13	741-04119	1	S	Bearing, PTO
14	746-04173A	1	S	Cable, Deck Engagement
15	783-04753	1		Frame Support Bracket
16	756-04196	1	S	Engine Pulley, 3.39 x 6.12 Dia.
17	725-04039	1	S	Switch, Interlock
18	747-04307	1	S	Rod, Belt Keeper (42-inch Deck)
19	710-1260A	1	/P	Screw, 5/16-18, .750
20	683-04163A	1		Frame Assembly
21	710-0642	1	/P	Screw, 1/4-20, 0.750
22	710-0604A	1	/P	Screw, 5/16-18, 0.625
23	712-04064	1	/P	Nut, Flange Lock, 1/4-20, GrF
24	732-04035	1		Spring, Compr. , 1.28 OD x 3.125
25	736-0222	1	S	Washer, Lock, 1/4
26	747-04385	1	S	Hold Down Rod, Battery
27	783-04869	1		Bracket, Battery
28	783-04548A	1	S	Seat Bracket, Frame
29	783-04637	1	S	Bracket, Runing Board
30	725-1426A	1	S	Solenoid
31	683-04155	1	S	Shaft Assembly, Lift
32	712-04065	1	/P	Nut, Flange Lock, 3/8-16, GrF
33	714-04043	1		Pin, Cotter, .080 x 1.5625 Internal
34	716-0106A	1		Ring, E-Type, .625 Dia.
35	720-0311	1		Grip, Handle, 1/2
36	732-04225	1		Spring, Torsion
37	738-04130	1		Screw, Shldr. , .625 x .175, 3/8-16
38	741-0225	1	S	Bearing, Hex Flange
39	747-04393	1		Rod, Lift
40	747-04282	1		Deck Handle, Lift
41	783-04494	1		Lift Arm, Deck - RH
41	783-04711	1		Lift Arm, Deck - LH
42	710-0703	1	/P	Screw, Carriage, 1/4-20, .75, Gr5
43	712-0271	1	/P	Nut, Sems, 1/4-20
44	725-1737A	1	S	Battery, 190 CCA
45	683-04195	1		Support Bracket Assembly
46	710-0134	1	/P	Carriage Screw, 1/4-20 x .62
47	710-3025	1	/P	Screw, 5/16-18 x .625
48	712-04063	1	/P	Flange Lock Nut, 5/16-18
49	712-0429	1	S	Hex Lock Nut, 5/16-18
50	736-0173	1	/P	Flat Washer, .28 x .74 x .063



13AN77TG766 Pony (2006)
Quick Reference

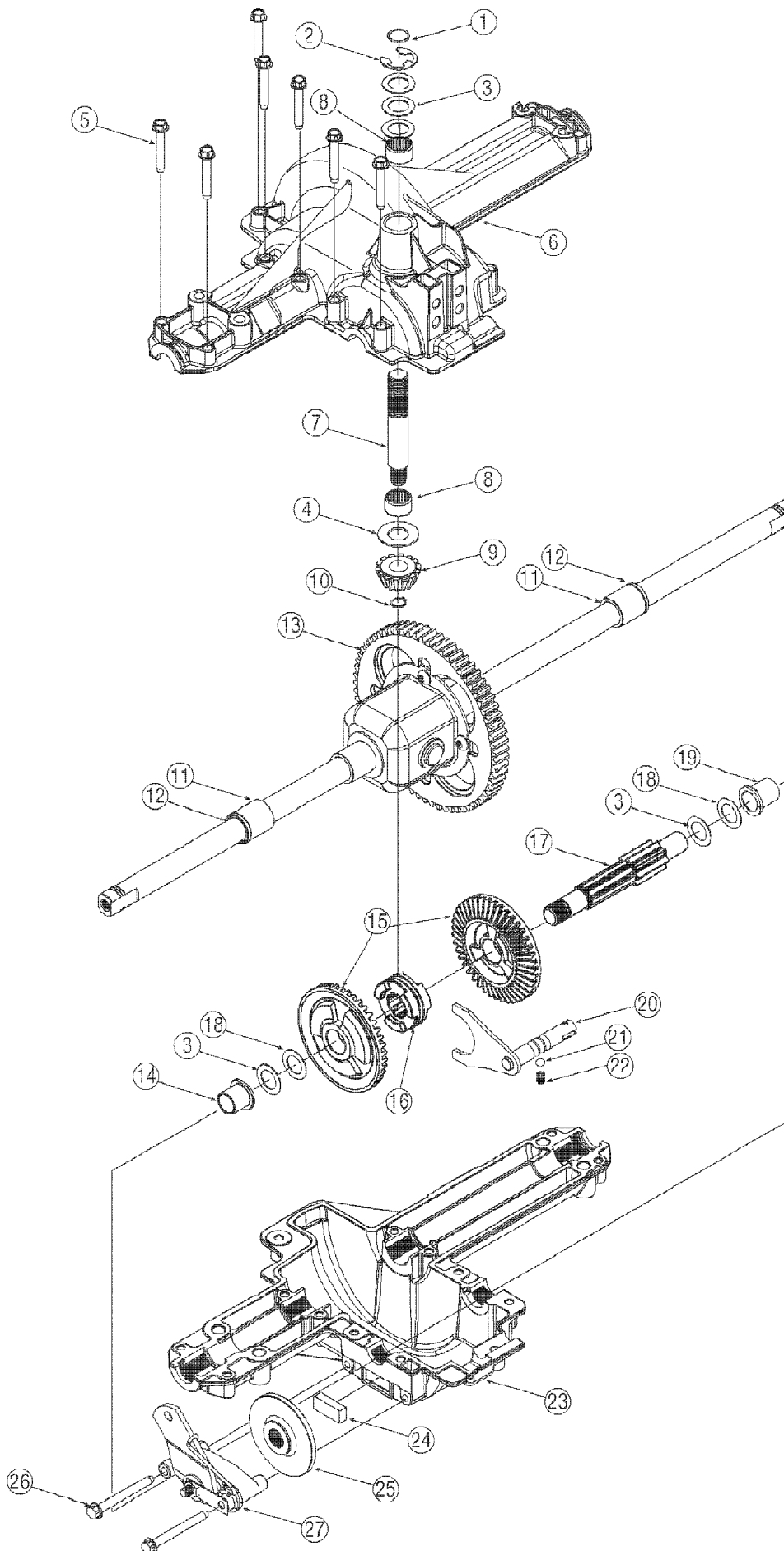
Page 15 of 19

Ref #	Part Number	Qty	S/P/F	Description
	759-3336	1	/P	Spark Plug
	BS-492932S	1	/P	Oil Filter
	BS-697015	1	/P	Pre Filter
	BS-698083	1	S	Air Filter
	BS-394358S	1	/P	Fuel Filter 13AN77TG model only
	751-0603	1	S	Fuel Cap
	725-1426A	1	S	Solenoid
	618-0624	1	S	Deck Spindles
	742-0616A	1	S	Blades
	712-0417A	1	/P	Blade Nut
	N/A	1		Deck Wheels
	713-0448A	1		Ball Joints
	725-1744	1	S	Ignition Keys
	746-04258	1		Control Cable
	746-04173B	1	S	Deck Engagement Cable
	754-0241A	1	S	Upper Drive Belt
	754-04001A	1	S	Lower Drive Belt
	754-04060B	1	S	Deck Spindle Belt
	N/A	1		PTO Belt
	725-04039	1	S	Saftey Switch - Brake
	725-04039	1	S	Saftey Switch - Deck
	731-1032B	1	S	Discharge Chute
	731-2363	1	/P	Mulch Plug
	725-1737A	1	S	Battery

13AN77TG766 Pony (2006)
Steering

Page 17 of 19

Ref #	Part Number	Qty	S/P/F	Description
1	617-04024	1	S	Gear Assembly, Steering
2	710-0376	1	/P	Screw, 5/16-18, 1.00, Gr5
3	710-0643	1	/P	Screw, 5/16-18, 1.00, Gr5, Lock
4	710-1309	1	/P	Screw, Mach, 5/16-18, 0.750
5	710-3180	1	/P	Screw, 5/16-18, 1.75, Gr5
6	712-0240	1	S	Nut, Jam, 7/16-20, Gr2
7	712-0262	1	/P	Nut, Jam Lock, 3/8-24, Gr2
8	712-04063	1	/P	Nut, Flange Lock, 5/16-18, Grf
9	731-0484A	1	S	Hub Cap
10	723-0448A	1	S	Ball Joint, 7/16-20, Lock
11	736-0242	1	/P	Washer, Bell, .340 x .872 x .060
12	783-04568	1		Front Hanger Bracket, Deck
13	738-04141	1		Scr., Shlder, .435 x .3485, 5/16-18
14	738-0919	1	S	Steering Shaft, 5/8 Spline x 21.86
15	741-04124	1	S	Bearing, Flange, Hex 5/8
16	741-0475	1	S	Plastic Bushing .380 ID
17	747-04298	1		Drag Link, Steering
18	748-0389	1	S	Cap, 1.25 x .16
19	748-04065	1	S	Steering, Block
20	748-04068	1		Spacer, .710 ID x .125 OD x .56
21	750-04418	1		Spacer, .322 ID x .625 OD x 21
22	783-04644	1	S	Stabilizer Plate, Gear Segment
23	638-04007	1	S	Axle Assembly, LH
24	638-04008	1	S	Axle Assembly, RH
25	683-0128B	1	/P	Pivot Bar
26	710-0726	1	/P	Screw, 5/16-12, 0.750
27	712-04065	1	/P	Nut, Flange Lock, 3/8-16, GrF
28	714-04039	1		Pin, Cotter, 5/32, 1.25
29	714-0470	1	S	Pin, Cotter, 1/8 x 1.25
30	726-0341	1	/P	Push Cap, 3/4
31	731-04057A	1		End Cap, Pivot Bar (w/Fitting)
32	736-0316	1	S	Washer, Flat, .78 x 1.59 x .060
33	738-04128	1		Scr., Shlder, .500 x 2.380, 3/8-16
34	741-0660A	1	/P	Bearing, Flange, .760 x .941 x 1.0
35	747-04299A	1	/P	Tie Rod
36	783-04601B	1		Bracket, Pivot
37	731-04681	1		Cap, Steering Wheel (tine logo)
38	631-04028	1		Steering Wheel, Standard Grip
39	634-04086	1		Wheel Ass'y, Square Shoulder
	734-1731	1		Tire Only, 15 x 6 x 6, Square Shld.
	634-04081	1	S	Rim Assembly (Incl. bearings & stem)
40	719-04105	1	/P	Pivot Bar, Cast Iron
41	731-04693	1		Push Cap
42	726-04035	1		Push Nut, 3/4"
43	736-0316	1	S	Flat Washer, .78 x 1.59 x .060



13AN77TG766 Pony (2006)
Transmission

Page 19 of 19

Ref #	Part Number	Qty	S/P/F	Description
1	732-0614	1		Ring, Wire
2	716-0231	1	S	Ring, E Type,.750
3	736-0336	1	S	Flat Washer, 5/8 x 1.0 x.030 Use applicable flat washer (ref. #'s 3 or 18) in this application allowing .0150/.0020 in. end-play.
3	736-0337	1	S	Flat Washer, 5/8 x 1.0 x. .040 Use applicable flat washer (ref. #'s 3 or 18) in this application allowing .0150/.0020 in. end-play.
3	736-0349	1	S	Flat Washer, 5/8 x 1.0 x. .020 Use applicable flat washer (ref. #'s 3 or 18) in this application allowing .0150/.0020 in. end-play.
4	736-0335	1	S	Washer, Thrust.635 x 1.26 x .06
5	710-1325	1	/P	Self-tapping Screw, 1/4-20 x 1.625
6	719-04017	1	S	Upper Housing
7	711-1109	1		Input Shaft
8	741-0335	1	S	Needle Bearing,.625 x.813 x. .495
9	717-1464	1		14-tooth Bevel Pinion
10	716-0108	1	S	Retaining Ring,.437
11	741-0340	1	S	Sleeve Bearing,.75 x 1.0 x 1.0
12	721-0338	1	S	Seal,.75 x 1.0 x.125
13	618-04041	1	S	Differential Assembly
14	741-0336	1	S	Flange Bearing, 5/8 x 3/4 x 3/4
15	717-04056	1	S	42-tooth Bevel Gear
16	718-04045	1	S	Clutch Collar
17	711-04134	1	S	Drive Shaft
18	736-0495	1	S	Thrust Washer, 1.0 x.632 x .0 Use applicable flat washer (ref. #'s 3 or 18) in this application allowing .0150/.0020 in. end-play.
18	736-0494	1		Flat Washer,.632 x 1.00 x. .035 Use applicable flat washer (ref. #'s 3 or 18) in this application allowing .0150/.0020 in. end-play.
19	741-0337	1	S	Flange Bearing, 5/8 x 3/4 x 15/16
20	611-0011	1	S	Detent Shaft Assembly
21	741-0862	1	/P	Detent Ball
22	732-0863	1	S	Compression Spring
23	719-04018	1	S	Lower Housing
24	717-0678	1	S	Brake Puck
25	761-0202	1		Brake Disc
26	710-1206	1	/P	Self-tapping Screw, 1/4-20 x 2.375
27	661-0001	1	S	Brake Assembly
	737-0148	1	S	Grease (19 oz.)