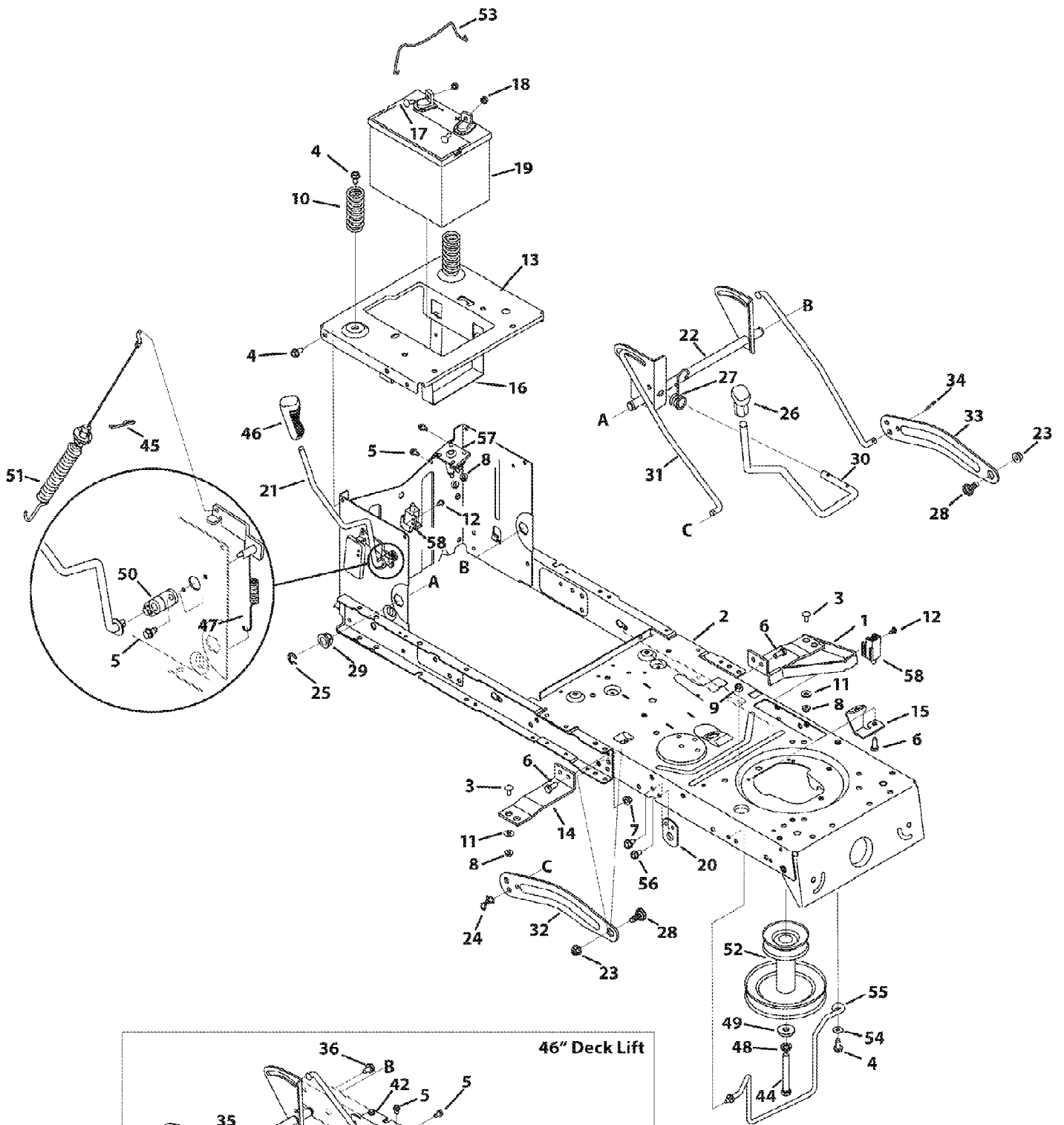


13AN77KG211 Pony (2009)
Engine Accessories

Page 2 of 21

Ref #	Part Number	Qty	S/P/F	Description
1	683-04549-0637	1	/P	Muffler Shield Assembly with Weld
2	710-0227	1	/P	Screw, 8-18 x .500
3	710-04683	1		Screw, 3/8-16 x 1.0
4	710-0642	1	/P	Screw, 1/4-20 x .750
5	710-1314A	1	/P	Socket Screw, 5/16-18 x .750
6	712-0271	1	/P	Sems Nut, 1/4-20
7	BS-692236	1	/P	Exhaust Gasket, 10 HP Briggs
8	725-0157	1	/P	Cable Tie
9	726-0205	1	/P	Clamp Hose, .490 diameter
10	728-04000	1		Rivet, .188 x .300
11	731-05628	1		Oil Drain Sleeve
12	751-10448A	1	S	Muffler, Single Inlet
13	751-0564B	1	/P	Muffler Deflector
14	751-10349-28	1	/P	Fuel Hose, Low Permeation
15	751-10353	1		Muffler Deflector Long

13AN77KG211 Pony (2009)
Frame and PTO Lift



13AN77KG211 Pony (2009)
Frame and PTO Lift

Page 4 of 21

Ref #	Part Number	Qty	S/P/F	Description
1	683-04195-0637	1		Support Bracket
2	683-04450-0638	1		Frame Assembly - Red
3	710-0134	1	/P	Screw Carriage, 1/4-20 x .62
4	710-04484	1		Screw 5/16-18 x .750
5	710-0599	1	/P	Screw, 1/4-20 x .500
6	710-3008	1	/P	Hex Screw, 5/16-18 x .75
7	712-04063	1	/P	Flangelock Nut, 5/16-18
8	712-04064	1	/P	Flangelock Nut, 1/4-20
9	912-0429	1	/P	Hexlock Nut, 5/16-18
10	732-04035	1		Compression Spacer, 1.28 x 3.125
11	736-0173	1	/P	Flat Washer, .28 x .74 x .063
12	738-04237A	1		Shoulder Spacer, 10-32 x .500
13	783-04548C-0637	1	/P	Seat Frame Bracket
14	783-04637-0637	1	/P	Runningboard Bracket
15	783-04753-0637	1		Support Frame Bracket
16	783-04869A-0637	1	/P	Battery Bracket
17	710-04666	1		Hex Head Flange, 1/4-20 x .75
18	712-0271	1	/P	Sems Nut, 1/4-20
19	925-1707D	1	/P	245 CCA Battery
20	783-04536B-0637	1	/P	Support Bracket
21	647-04096-0637	1	/P	PTO Handle Assembly
22	683-04155A-0637	1	/P	Lift Assembly, 38/42"
23	712-04065	1	/P	Flangelock Nut, 3/8-16
24	714-04043	1		Bow-tie Cotter Pin
25	716-0106A	1		E Ring
26	720-0311	1		Handle Grip, 1/2
27	732-04225	1		Torsion Spring
28	738-04130	1		Shoulder Bolt, 3/8-16 x .625 x .175
29	941-0225	1	/P	Hex Flange Bearing
30	747-04282	1		Deck Lift Handle
31	747-04393	1		Lift Rod
32	783-04494B-0637	1	S	38/42" Lift Arm, RH
33	783-04711B-0637	1	S	38/42" Lift Arm, LH
34	914-0115	1	/P	Cotter Pin, 1/8 x 1.0
35	683-04334-0637	1	/P	Lift Assembly, 46"
36	710-0604A	1	/P	Screw, 5/16-18 x .625
37	720-0298	1		Handle Grip, 5/8
38	732-04438	1		Torsion Spring Handle, 46"
39	936-0140	1	/P	Flat Washer, .385 x .62 x .063
40	938-0380	1	/P	Shoulder Bolt, 3/8-16 x .500 x .270
41	747-04653	1		46" Lift Handle Not used in this application
42	783-05389-0637	1	/P	Frame Brace Bracket
43	783-0678C-0637	1	/P	Lift Deck Link
44	710-04608	1		Hex Screw, 7/16-20 x 3.25, 38/42"
45	914-0145	1	/P	Click Pin, .092 x 1.64
46	720-04049A	1	/P	Handle Grip, 3/8
47	732-04276A	1	/P	PTO Spring Extension
48	936-0171	1	/P	Regular Duty Washer Lock, 7/16
49	736-0322	1	/P	Flat Washer, .450 x 1.250 x .164
50	741-04119	1	S	PTO Bearing
51	746-04173B	1	S	Deck Engage Cable
52	756-04196A	1	/P	Engine Pulley, 3.39 x 6.12, 38/42"
53	747-04744	1	S	Battery Hold Down Rod

13AN77KG211 Pony (2009)
Frame and PTO Lift

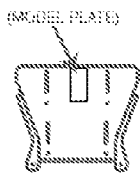
Page 5 of 21

Ref #	Part Number	Qty	S/P/F	Description
54	936-0300	1	/P	Flat Washer, .406 x .875 x .059
55	747-04857	1	/P	42" Belt Keeper
56	710-0604A	1	/P	Screw, 5/16-18.0 x .625
57	725-04439	1		12V Solenoid
58	725-04363	1		Switch Interlock

13AN77KG211 Pony (2009)
Hood Assembly

Page 7 of 21

Ref #	Part Number	Qty	S/P/F	Description
1	631-04272	1	/P	Grill Assembly, Troy-Bilt
2	731-05078C	1	/P	Dash Assembly
2	731-06404	1		Bumper, Rubber Dash Not shown
2	710-04261	1		Screw, #12-16x.50 Not shown
3	683-04441-0638	1		Hood Assembly - Red
4	710-04484	1		Screw, 5/16-18 x .750
5	710-0895	1		Screw, 1/4-15 x .750
6	725-0157	1	/P	Cable Tie
7	925-0963	1	/P	Lamp
8	731-06095	1		Left Lens
9	731-06096	1		Right Lens
10	738-04091A	1	/P	Shoulder Screw, 5/16-18 x .43 x .29
11	783-05327B-0637	1	/P	Left Support Pivot Bracket
12	783-05328A-0637	1	/P	Right Support Pivot Bracket
13	710-04483	1		Screw, 1/4-20 x .500
14	710-0599	1	/P	Hex Washer Screw, 1/4-20 x .500
15	710-0604A	1	/P	Screw, 5/16-18 x .625
16	712-04063	1	/P	Flangelock Nut, 5/16-18
17	731-04945	1		Steering Support
18	783-04584A-0637	1	/P	Gas Tank Support Bracket
19	783-04873A-0638	1	S	Dash, No RMC - Red
20	731-05265	1		Choke Plug
21	983-04216	1	/P	7-Speed Control Assembly
22	710-3144	1	/P	Hex Screw, 3/8-16 x 2.0
23	711-0736	1	/P	Ferrule, 1/4-20 x 1.00
24	710-04065	1	/P	Flangelock Nut, 3/8-16
25	914-0111	1	/P	Cotter Pin, 3/32 x 1.0
26	936-0133	1	/P	Flat Washer, .411 x 1.25 x .100
27	747-04430	1		Speed Selector
28	750-04465	1		Flange Spacer, .390 x .671 x 1.095
29	746-04364	1		Throttle/Choke Cable
30	783-04903	1		Speed Latch - No RMC
31	683-04448-0637	1	/P	Battery Assembly Rod
32	726-0230	1	/P	Cable Tie
33	751-0555B	1	/P	1.5 Gallon Fuel Tank 49 states
34	751-0603A	1	/P	Fuel Cap
35	751-10782	1	S	1.36 Gallon Fuel Tank California
36	925-1745A	1	/P	Key
37	725-0157	1	/P	Cable Tie
38	936-3008	1	/P	Flat Washer, .344 x .750 x .120
39	951-10589	1	/P	5 Gallon Carbon Canister
40	951-10590	1	/P	Vent Filter Canister
41	951-10610	1	/P	Canister Adapter Bracket
42	751-10749-30	1		Fuel Hose, White
43	751-10750-28	1		Fuel Hose, Yellow
44	925-04659	1	/P	3 Position Key Switch
45	951-10947	1	/P	Fuel Cap, 2.25"
46	751-10441	1		Rollover Valve
47	735-04081	1		Rubber Grommet, 23 x 3.55



777X43244
Line up behind battery
MUST BE VISIBLE

777I22773
Place Centered On Steering
Wheel With Only Half Of The
Split Backing Removed For
Easy Removal



777X43688
Place on Engine
Near Gas Cap



877S010805
Place into Correct Light Ports With Shiny
Mylar Surface Facing Out. Assemble
Lenses Correctly and Crease Edges Firmly

Drivers RIGHT (777X43039)
Drivers LEFT (777X43038)



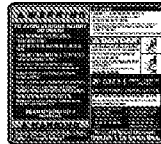
777I22453
Place On Fender With The
Pto Side Next To The Pto
And The Deck Height Next
To The Deck Height

If BJ label Has
Important Em-
issions Infor-
mation Place
Label Here

777I22454



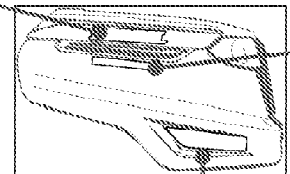
777S33017



777D12014 x 2
Align to top side of hood on both sides -
center over intake



777D12110 x 2
Center under the intake



777D13164
Align to LOWER Side Panel



777D13165
Align to LOWER Side Panel



777D12005
Center REAR fender



777X43704
Place under hood

Model				Serial			
Model	Serial	Part Name	Part No.	Model	Serial	Part Name	Part No.
13AN77KG211	13AN77KG211	Label	777X43704	13AN77KG211	13AN77KG211	Label	777X43704

777D12223

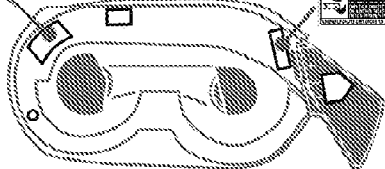


Ret.- 777D13024



877S30000

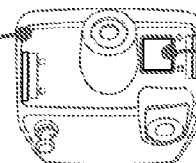
777S30018



777S30503



777I22455



777I22479

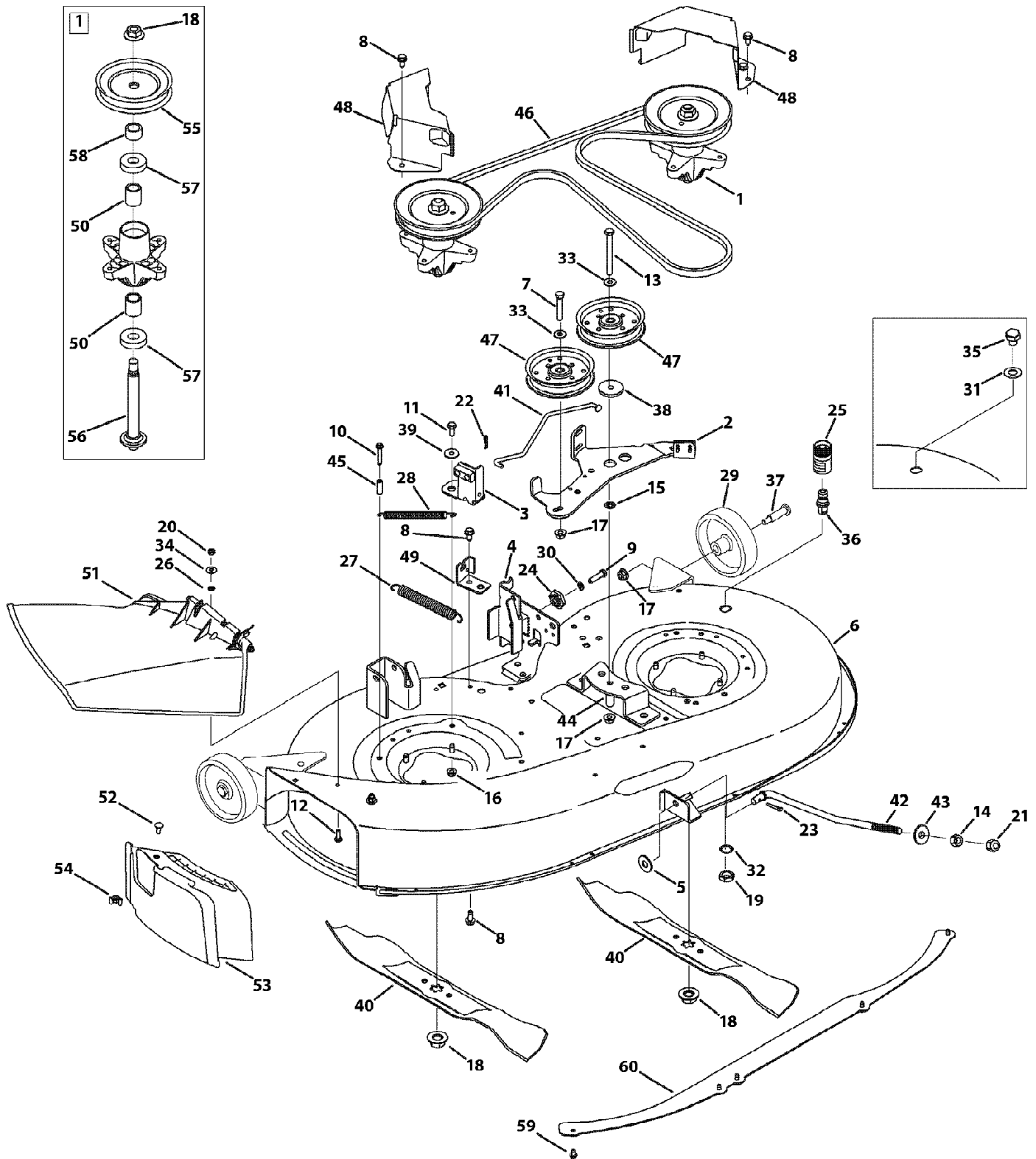


13AN77KG211 Pony (2009)
Label Map

Page 9 of 21

Ref #	Part Number	Qty	S/P/F	Description
777X43244	777X43244	1		LABEL-LOWE'S SERVICE ADVANTAGE
777I22453	777I22453	1		LABEL:RIDER LT-5 F
777D12005	777D12005	1		LABEL-RIDER REAR FENDER TROY
777X43704	777X43704	1		LABEL-RIDER PARTSLIST:13AN77KG
777S30018	777S30018	1	/P	LABEL-DECK SAFETY
777S30503	777S30503	1	/P	LABEL-DANGER CHUTE
777I22455	777I22455	1		LABEL:RIDER LT-5 D
777I22479	777I22479	1		LABEL: RIDER LT-5 THRT/CHK
777D12223	777D12223	1		LABEL-RIDER /DK/RED:TBILT:42
777D13024	777D13024	1		LABEL-TROYBILT/GEAR
777D13165	777D13165	1		LABEL-RIDER HOOD PONY LH
777D13164	777D13164	1		LABEL-RIDER HOOD PONY RH
777D12110	777D12110	1		LABEL-RIDER K STYLE HOOD 7SPD TRAN
777D12014	777D12014	1		LABEL-RIDER HOOD K STYLE TROY
777X43038	777X43038	1		LABEL-RIDER K STYLE LH
777X43039	777X43039	1		LABEL-RIDER K STYLE RH
777X43688	777X43688	1		LABEL-ETHANOL
777S33017	777S33017	1		LABEL-LT 5 TRANS COVER NO OCR
777I22454	777I22454	1		LABEL:RIDER LT-5 FENDER
777I22773	777I22773	1		LABEL-RIDER:SECURE WHEEL

13AN77KG211 Pony (2009)
Mower Deck 42 Inch



13AN77KG211 Pony (2009)
Mower Deck 42 Inch

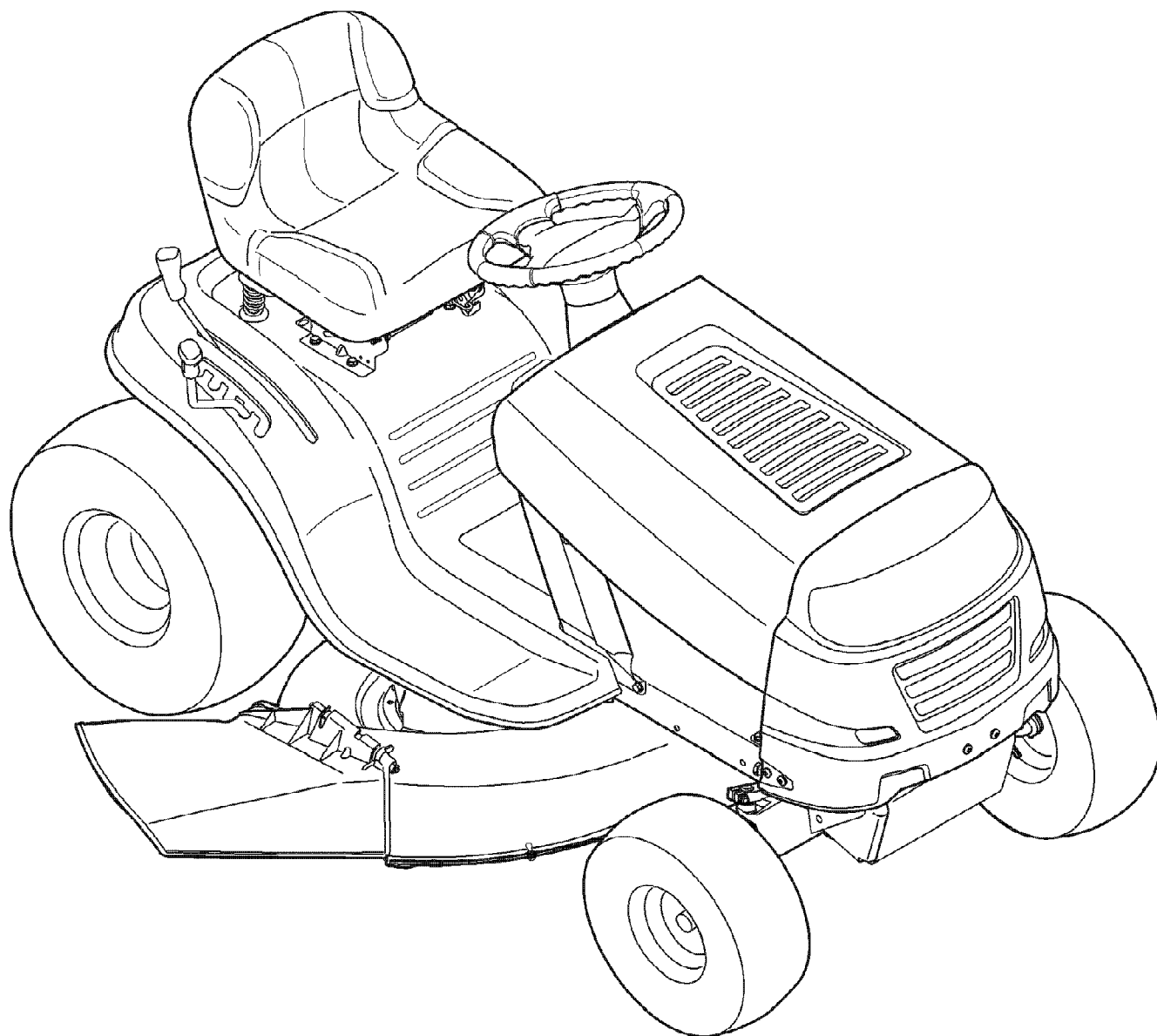
Page 11 of 21

Ref #	Part Number	Qty	S/P/F	Description
1	918-04456	1	S	Pulley Spindle Assembly, 6.3 DIA
2	683-04138B-0637	1	/P	Deck Brake Assembly
3	983-04167	1	/P	Deck Brake Assembly
4	683-04228-0637	1		Deck Hanger Bracket LH
5	936-0179	1	/P	Flat Washer, .531 x 1.25 x .100
6	983-04546-0638	1	/P	Deck Assembly, 42" w/o Wheel - Red
7	710-0347	1	/P	Hex Screw, 3/8-16 x 1.75
8	710-04484	1		Screw, 5/16-18 x .750
9	710-0528	1	/P	Hex Screw, 5/16-18 x 1.25
10	710-0778	1	/P	Screw, 1/4-20 x 1.500
11	710-3008	1	/P	Hex Screw, 5/16-18 x .75
12	710-3015	1	/P	Hex Screw, 1/4-20 x .75
13	710-3085	1	/P	Hex Screw, 3/8-16 x 3.50
14	712-0206	1	S	Hex Nut, 1/2-13:GR5
15	712-0229	1		Push Nut, 3/8
16	712-04063	1	/P	Flanglock Nut, 5/16-18
17	712-04065	1	/P	Flanglock Nut, 3/8-16
18	712-0417A	1	/P	Flang Nut, 5/8-18
19	912-0641	1	/P	Hex Nut, M16-1.5
20	712-3006	1	/P	Hex Nut, 1/4-20
21	712-3083	1	/P	Hex Locknut, 1/2-13
22	914-0104	1	/P	Cotter Pin, .072 DIA. x 1.13 LG
23	714-3002	1		Cotter Pin, 3/16 x 1.00
24	917-04074	1	/P	Deck Gear Adjuster
25	921-04041	1	/P	Water Nozzle Adaptor
26	726-0233	1	/P	Push Nut, .25 ID X .50 OD
27	732-04280B	1	/P	Extension Spring, 0.75 OD x 6.375
28	732-04287	1		Extension Spring, .500 DIA x 6.375
29	734-0973	1	/P	Deck Wheel, 5.0 x 1.38
30	936-0119	1	/P	Lock Washer, 5/16
31	736-0187	1	/P	Flat Washer, 1/2 x 1.25 x .10
32	736-0225	1	/P	Lock Washer, 5/8
33	936-0267	1	/P	Flat Washer, .385 x .87 x .06
33	736-3000	1		Flat Washer, .406 x .875 x .059
34	736-0270	1	/P	Bell Washer, .265 X.75 x .062
35	738-04146	1		Bolt Plug, M16 x 1.5
36	737-04003D	1	/P	Water Nozzle
37	938-0373	1	/P	Shoulder Bolt. .496 x 1.525:3/8-16
38	738-04162A	1	/P	Shoulder Spacer, .8840 x .190
39	738-04166	1		Shoulder Spacer, .5000 x .1475
40	942-0616A	1	/P	3 in 1 Blade
41	747-04379A	1	/P	Brake Control Rod
42	747-04944A	1	S	Deck Lift Rod
43	748-04069	1		Deck Lift Pivot
44	750-04446	1		Spacer, 3/8 ID x .68 OD x 1.46 LG
45	750-0566A	1	/P	Spacer, .260 x .375 x 1.030 LG
46	954-04060B	1	/P	V-Type Belt
47	756-04129B	1	/P	Idler Pulley
48	783-04327B-0638	1	/P	Belt Cover - Red
49	783-04740-0637	1		Deck Engage Cable Bracket
50	750-1000	1		Spacer, .80 x 1.10 x 1.322
51	931-1032B	1	/P	Chute Assembly
52	710-0134	1	/P	Carriage Screw, 1/4-20 x .62

13AN77KG211 Pony (2009)
Mower Deck 42 Inch

Page 12 of 21

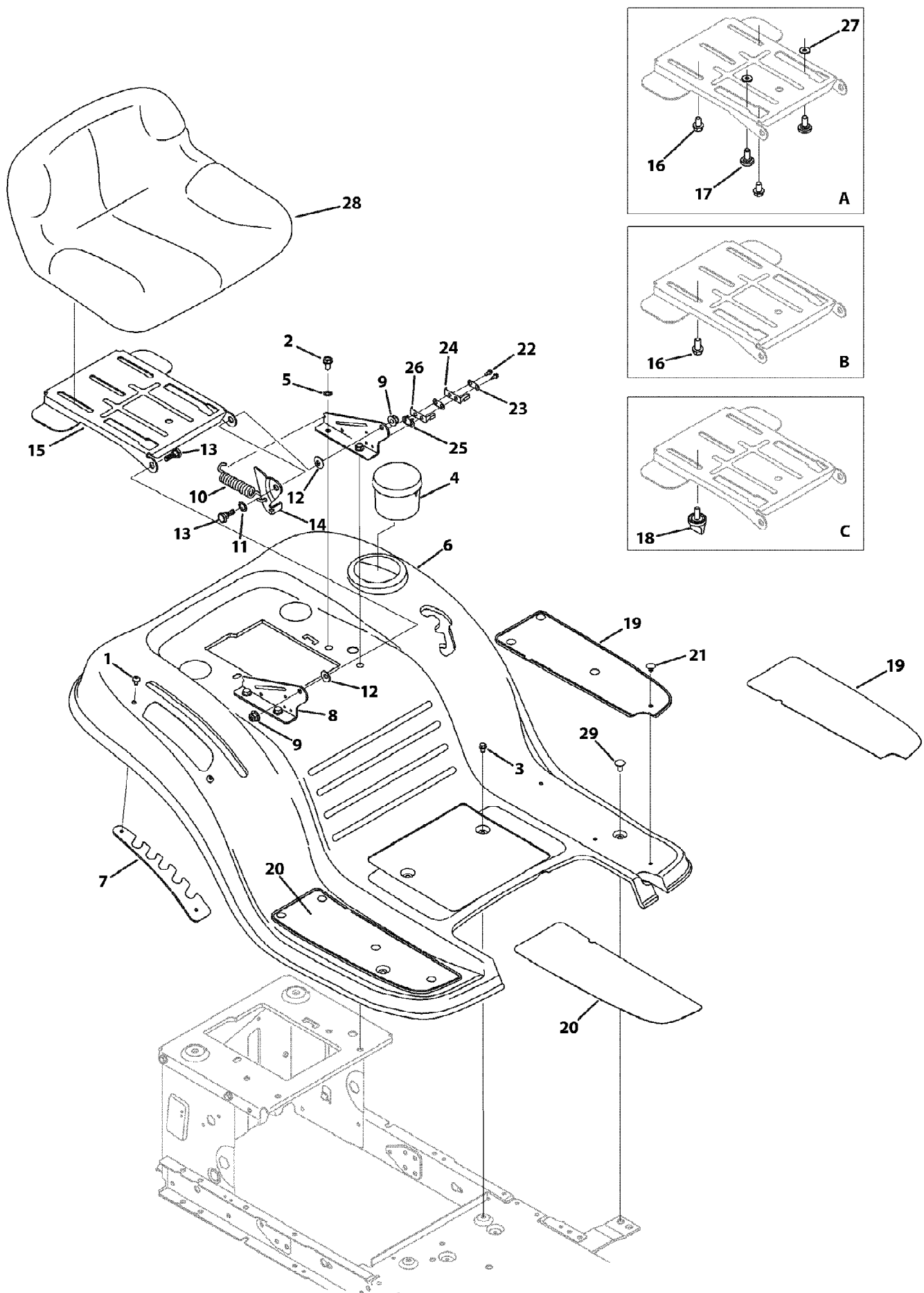
Ref #	Part Number	Qty	S/P/F	Description
53	731-2363	1	/P	Mulch Plug
54	712-3087	1	/P	Wing Nut, 1/4-20
55	956-1227	1	/P	Deck Pulley, 6.3 Diameter
56	938-04241	1	/P	Spindle Shaft, 5.50 LG
57	941-0919	1	/P	Ball Bearing, .787ID x 1.85OD x .551
58	750-04739	1		Spacer, .820 x 1.150 x .480
59	710-0599	1	/P	Screw, 1/4-20 x .500
60	753-0884	1	/P	42" Deck Skirt



13AN77KG211 Pony (2009)
Quick Reference

Page 14 of 21

Ref #	Part Number	Qty	S/P/F	Description
	NA	1		OIL FILTER
	BS-698083	1	S	AIR FILTER
	BS-697015	1	/P	PRE-CLEANER ELEMENT
	759-3336	1	/P	SPARK PLUG
	951-3013	1	S	FUEL FILTER
	942-0616A	1	/P	BLADES
	712-0417A	1	/P	BLADE NUT
	954-0241A	1	/P	UPPER DRIVE BELT
	954-04001A	1	/P	LOWER DRIVE BELT
	954-04060B	1	/P	DECK SPINDLE BELT
	NA	1		ENGINE TO DECK BELT
	918-04456	1	S	DECK SPINDLES
	925-1745A	1	/P	IGNITION KEYS
	725-04439	1		SOLENOID
	951-3111	1	S	FUEL CAP
	NA	1		DECK WHEELS
	923-0448A	1	/P	BALL JOINTS
	741-0516B	1	/P	WHEEL BUSHINGS
	741-0990B	1	/P	WHEEL BUSHINGS IN BOARD
	725-04363	1		SAFETY SWITCH-DECK
	725-04363	1		SAFETY SWITCH-BRAKE/CLUTCH
	NA	1		WATER NOZZLE ADAPTER
	OEM-190-116	1	/P	MULCH KIT Attachment
	OEM-190-180A	1	/P	BAGGER Attachment
	OEM-190-679	1	/P	BUMPER KIT Attachment
	OEM-190-183	1		DECK WHEEL KIT Attachment
	OEM-190-607	1		DELUXE TRACTOR SUNSHADE Attachment
	490-900-0025	1		DECK WASH KIT Attachment

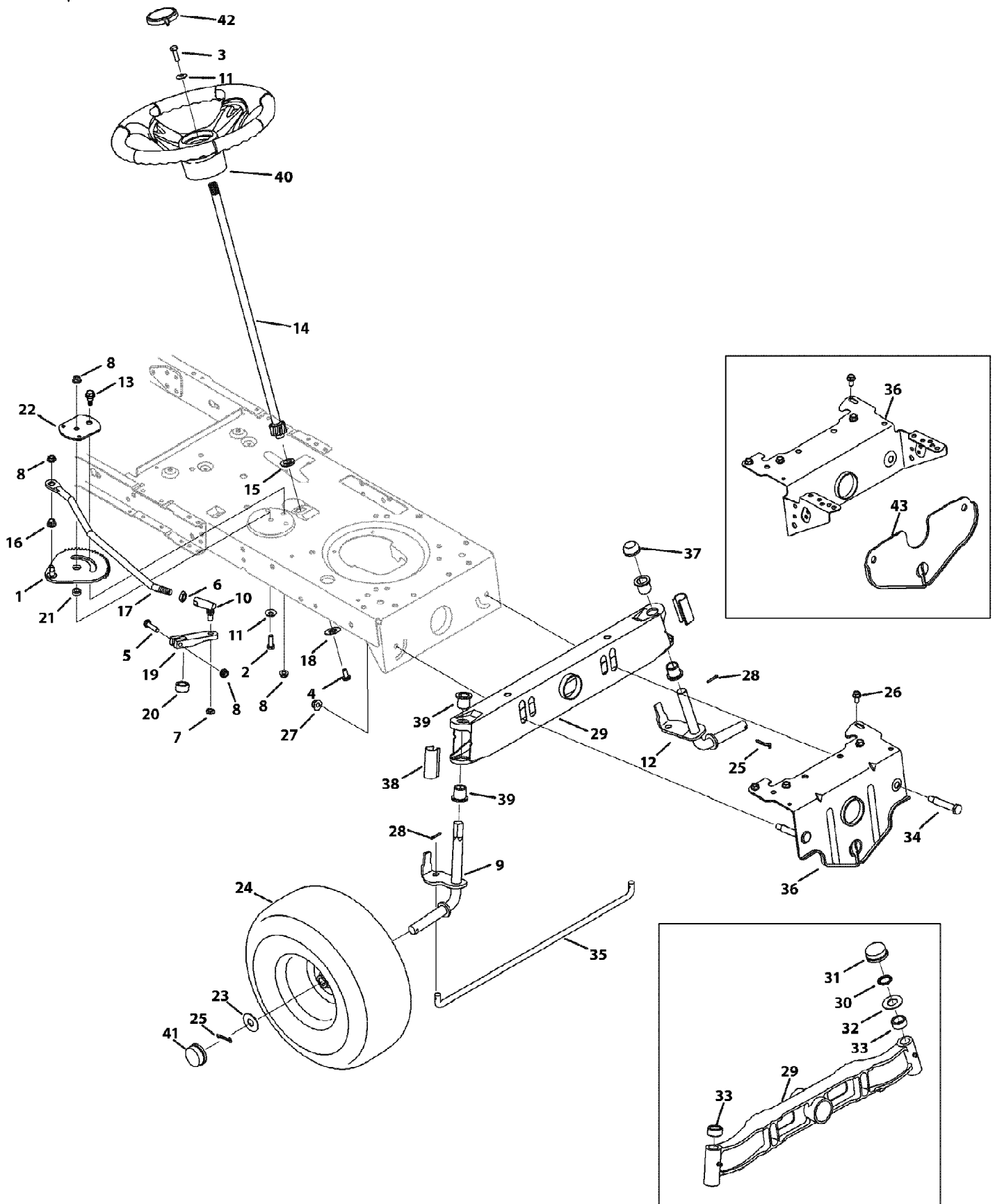


13AN77KG211 Pony (2009)
Seat and Fender

Page 16 of 21

Ref #	Part Number	Qty	S/P/F	Description
1	710-04483	1		Screw, 1/4-20 x .500
2	710-04484	1		Screw, 5/16-18 x .750
3	710-0599	1	/P	Screw Pan Torx Head, 1/4-20 x .500
4	731-04591A	1	/P	Cup Holder
5	736-0607	1	/P	Loack Washer, 5/16
6	783-04587A-0638	1	/P	Fender - Red
7	783-04843-0638	1		Lift Adjuster Bracket - Red
8	783-1489C-0638	1	/P	Seat Mount Bracket - Red
9	712-04063	1	/P	Flangelock Nut, 5/16-18
10	732-1184	1	/P	Extension Spring
11	936-0108	1	/P	Flat Washer, .510x .750 x .033
12	736-0242	1	/P	Bell Washer, .340 x .872 x .060
13	938-0296	1	/P	Shoulder Screw, 5/16-18 x .437 x .268
14	783-0209D	1	/P	Lift Seat Bracket
15	783-04081C-0637	1	/P	Pivot Seat Manual Adjust Bracket
16	710-04482	1		Hex Head Flange, 3/8-16 x .875
17	738-04012A	1	/P	Shoulder Screw, 3/8-16 x .625 x .145
18	720-04061	1		Knob, 3/8-16 x .875
19	735-04047	1		Foot Pad, LH
19	723-04026	1		Foot Pad, Abrasive, LH
20	735-04048	1		Foot Pad, RH
20	723-04025	1		Foot Pad, Abrasive, RH
21	726-04072A	1	/P	Ratchet Clip, .250 x .500
22	710-0227	1	/P	Screw, 8-18 x .500
23	726-0279	1		Insulator Plate
24	925-1303	1	/P	Outer Seat Spring
25	726-0278	1		Insulator Boss Plate
26	725-1439	1		Inner Seat Spring
27	936-0140	1	/P	Flat Washer, .385 x .62 x .063
28	757-04099	1		Low Back Seat, Black Seat hardware - Figure B or C
29	710-0134	1	/P	Screw Carriage, 1/4-20 x .62

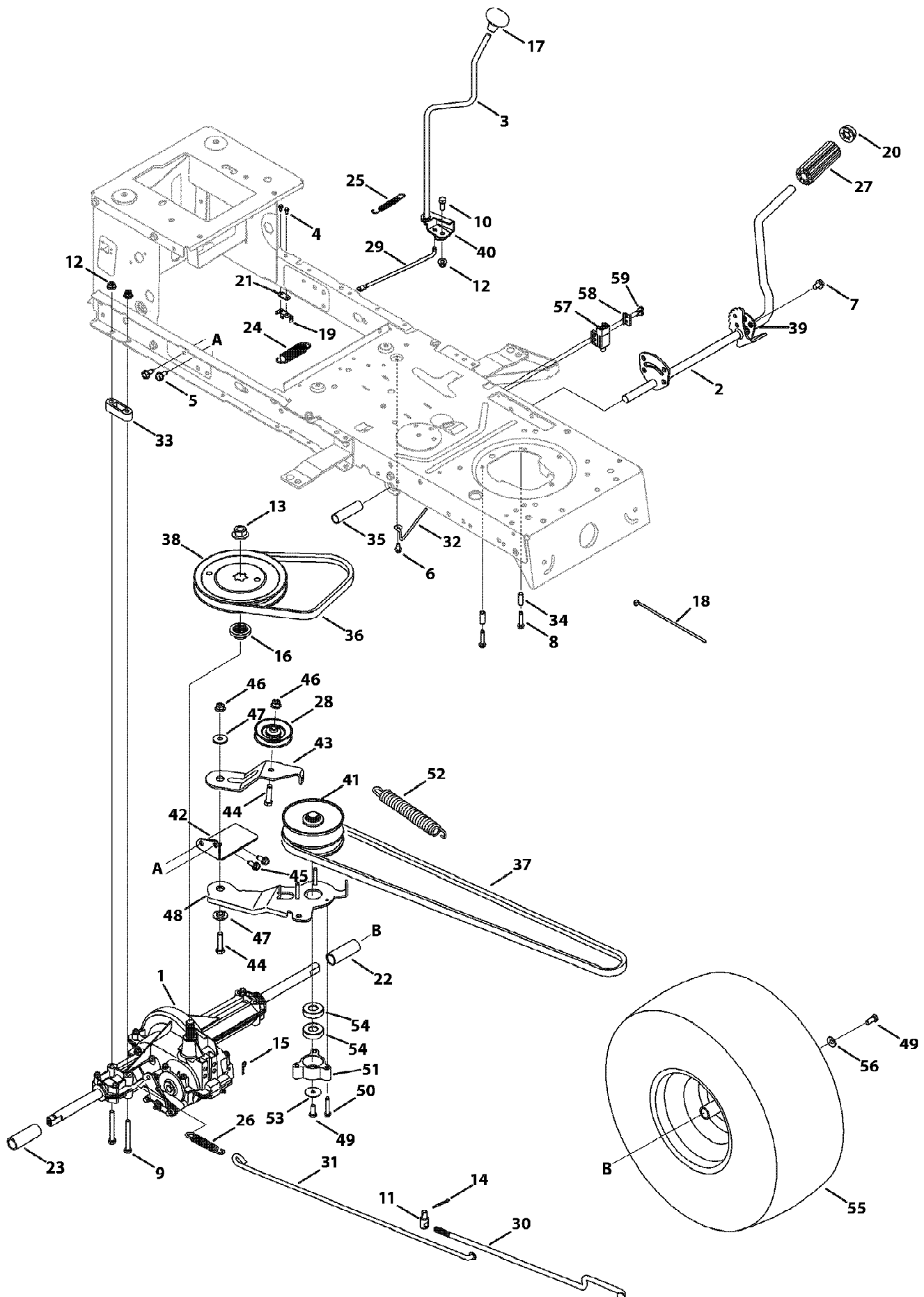
13AN77KG211 Pony (2009)
Steering



13AN77KG211 Pony (2009)
Steering

Page 18 of 21

Ref #	Part Number	Qty	S/P/F	Description
1	617-04024	1	S	Front Steering Gear Assembly
2	710-0376	1	/P	Hex Screw, 5/16-18 x 1.00, Standard
3	710-0643	1	/P	Hex Screw, 5/16-18 x 1.00, Lock
4	710-1309	1	/P	Machine Screw, 5/16-18 x .750
5	710-3180	1	/P	Hex Screw, 5/16-18 x 1.75
6	912-0240	1	/P	Jam Nut, 7/16-20
7	712-0262	1	/P	Jamlock Nut, 3/8-24
8	712-04063	1	/P	Flangelock Nut, 5/16-18
9	638-04008P	1	/P	Front RH Axle
10	923-0448A	1	/P	Ball Joint, 7/16-20
11	736-0242	1	/P	Bell Washer, .340 x .872 x .060
12	938-04007A-0637	1	/P	Front LH Axle
13	738-04141	1		Shoulder Bolt, 5/16-18 x .435 x .350
14	738-0919A	1	/P	Steering Shaft, 5/8 x 22.08
15	941-04124	1	/P	Flange Bearing, 5/8
16	941-0475	1	/P	Plastic Bushing, .380 ID
17	747-04298	1		Steering Link
18	948-0389	1	/P	Cap, 1.25 x .16
19	748-04065-0637	1	/P	Steering Block
20	748-04068	1		Spacer, .71 x .125 x .56
21	750-04418	1		Spacer, .322 x .625 .21
22	783-04644	1	S	Gear Segment Stabilizer Plater
23	736-04228A	1		Flat Washer, .781 x 1.590
24	634-04325-0911	1		Wheel Assembly, 42" and 38" - Gray
25	714-04039	1		Cotter Pin, 5/32 x 1.25
26	710-04484	1		Screw, 5/16-18 x .750
27	712-04065	1	/P	Flangelock Nut, 3/8-16
28	914-0474	1	/P	Cotter Pin, .125 x .75
29	683-0128B-0637	1	/P	Pivot Axle
30	726-04035	1		Push Nut, 3/4
31	731-04693	1		Hub Cap
32	936-0316	1	/P	Flat Washer, .78 x 1.59 x .060
33	748-04068	1		Spacer, .71 x .125 x .56
34	738-04128	1		Shoulder Bolt, 3/8-16 x .500 x 2.38
35	747-04299A	1	/P	Fixed Rod
36	783-05326-0637	1	/P	Pivot Bar Bracket
37	726-0341	1	/P	Push Cap, 3/4
38	731-04057A	1		Standard Axle Cap
39	741-0660A	1	/P	Flange Bearing, .760 x .941 x 1.0
40	631-04028	1		Steering Wheel
41	931-0484A	1	/P	Hub Cap
42	731-04681	1		Cap, Troy-Bilt
43	783-04568-0637	1		Front Deck Hanger Bracket



Ref #	Part Number	Qty	S/P/F	Description
1	918-04566	1	/P	Transmission Drive Assembly, Raised
2	647-04034C-0637	1		Pedal Assembly
3	647-04035	1		Shaft Lever Assembly
4	710-0227	1	/P	Screw, 8-18:0.500
5	710-04484	1		Screw, 5/16-18 x .750
6	710-0599	1	/P	Screw, 1/4-20 x 0.500
7	710-0604A	1	/P	Screw, 5/16-18 x 0.625
8	710-0809	1		Screw, 1/4-20 x 1.250
9	710-1266	1	/P	Hex Screw, 5/16-18 x .625
9	710-0176	1	/P	Hex Screw, 5/16-18 x 2.75
10	710-3008	1	/P	Hex Screw, 5/16-18 x .75
11	911-04075A	1	/P	Ferrule, 3/8-24 X .375 DIA.
12	712-04063	1	/P	Flangelock Nut, 5/16-18
13	712-0700	1	/P	Flange Nut, 9/16-18
14	914-0115	1	/P	Cotter Pin, 1/8 x 1.0
15	914-0209	1	/P	Cotter Pin INT- .125 DIA
16	718-04407	1		Pulley Hub, 5/8 SPLINE
17	720-04028	1		Shift Knob
18	725-0157	1	/P	Cable Tie
19	725-1644	1		Short Spring Switch
20	726-0214	1	/P	Push Cap, 5/8
21	926-0320	1	/P	Plate Insulator Nut
22	731-04602	1		Sleeve, .758 x .821 x 3.3125
23	731-04604	1		Sleeve, .758 x .821 x 2.4375
24	732-04306	1		Spring Extension, .80 OD x 3.28 LG
25	732-04488	1		Spring Extension, .38 OD x 3.25 LG
26	732-0716D	1	/P	Spring Extension, .59 OD x 4.00 LG
27	735-0239	1	/P	Foot Pad, 4.0 LONG
28	756-04325	1	/P	Idler Pulley
29	747-04277	1		Shift Rod. 38/42"
30	747-04265	1		Variable Speed Control Rod
31	747-04733A	1		Brake Rod
32	747-04969	1		Belt Keeper Rod
33	948-0334	1	/P	Spacer, T-Axle, 46" Only Not used in this application
34	750-0566A	1	/P	Spacer, .260 x .375 x 1.030 LG
35	750-0802	1		Spacer, .640 ID x .76 OD x 2.63
36	954-0241A	1	/P	V Belt, 5L:35.25:POLY
37	954-04001A	1	/P	V Belt, 5L:68.90:POLY
38	956-04002	1	/P	V Pulley:7.25 DIA SPUN
39	783-04536B-0637	1	/P	Pedal Support Bracket
40	783-04595A	1		Shaft Adjust Bracket
41	956-04015A	1	/P	Variable Speed Pulley Assembly
42	683-04176A	1	/P	Transmission Bracket Assembly
43	753-05147	1	/P	Idler Bracket Assembly
44	710-0347	1	/P	Hex Screw, 3/8-16 x 1.75
45	710-1260A	1	/P	Screw, 5/16-18 x 0.750
46	712-04065	1	/P	Flangelock Nut, 3/8-16
47	938-0347	1	/P	Shoulder Spacer, .625 ID x .169
48	753-05147	1	/P	Bracket Assembly
49	710-0627	1	/P	Hex Screw, 5/16-24 x .750
50	710-0778	1	/P	Screw, 1/4-20 x 1.500
51	718-04261	1		Bearing Cup

13AN77KG211 Pony (2009)
Transmission Drive Assembly

Page 21 of 21

Ref #	Part Number	Qty	S/P/F	Description
52	732-04076A	1	/P	Extension Spring, 1.15 OD x 7.90 LG
53	736-0362	1	/P	Flat Washer, .330 x 1.25 x .06:HT
54	941-0124	1	S	Ball Bearing, 17 x 40 x 12
55	634-0104-0911	1	/P	Wheel, 20 x 8 x 8, 42" - Gray
56	736-0242	1	/P	Bell Washer, .340 x .872 x .060
57	725-04363	1		Switch Interlock
58	17962	1		Plate Switch
59	738-04237A	1		Shoulder Screw, #10-32 x .500