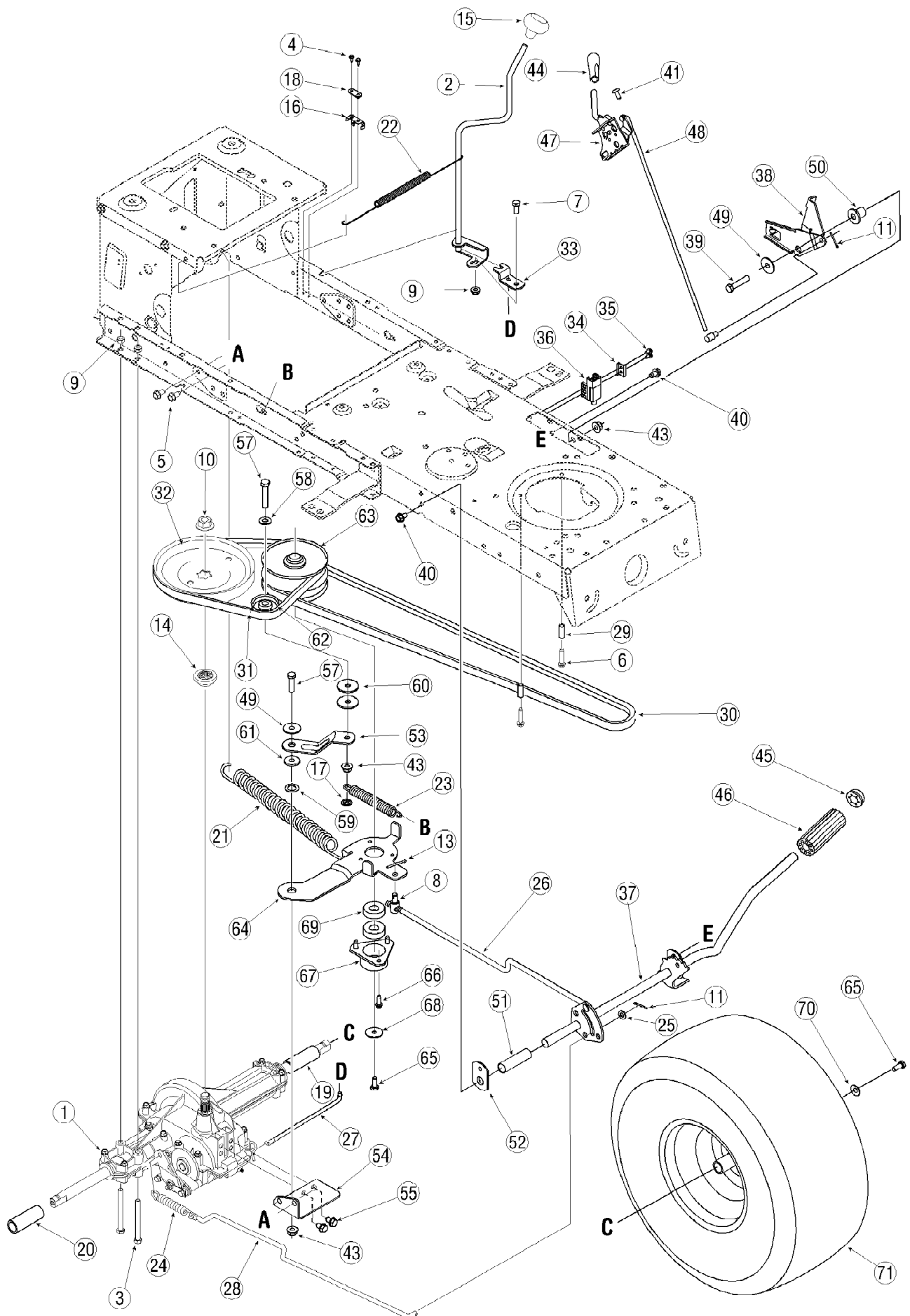


13AN779G766 Pony (2005)
Deck Assembly

Page 2 of 18

Ref #	Part Number	Qty	S/P/F	Description
1	618-0624	1	S	Spindle Assembly, Pul, 6.23" Dia
2	683-04138	1	S	Brake Assembly, Deck
3	683-04165	1	S	Deck Shell, 42" (w/o Wheel Brackets)
4	683-04167	1	S	Brake Assembly, Deck
5	683-0254B	1	/P	Bracket Assembly, Deck, Hanger LH
6	710-0751	1	/P	Screw, 1/4-20, .620, Gr5
7	710-0650	1	/P	Screw, 5/16-18, 0.875
8	710-0817	1		Screw, 5/16-18, 1.250
9	710-0726	1	/P	Screw, 5/16-12, 0.750
10	710-3144	1	/P	Screw, 3/8-16, 2.00, Gr5
11	710-0778	1	/P	Screw, 1/4-20, 1.500
12	710-3008	1	/P	Screw, 5/16-18, .75, Gr5
13	710-0134	1	/P	Carriage Screw, , 1/4-20 x .62
14	711-04069	1	S	Pin, Grasscatcher, 1/4-20
15	712-3006	1	/P	Nut, Hex, 1/4-20, Gr5
16	712-0417A	1	/P	Nut, Flange, 5/8-18
17	712-04064	1	/P	Nut, Flange Lock, 1/4-20, Gr F, Nylon
18	712-04063	1	/P	Nut, Flange Lock, 5/16-18, Gr F, Nylon
19	712-04065	1	/P	Nut, Flange Lock, 3/8-16, Gr F, Nylon
20	712-0641	1	S	Nut, Hex, M16-1.5
21	712-3083	1	/P	Nut, Hex Lock, 1/2-13, Gr8, Nylon
22	712-0206	1	S	Nut, Hex, 1/2-13, Gr5
23	714-0104	1	S	Pin, Cot, .072 Dia. x 1.13 Lg
24	717-04074	1	S	Gear, Deck Adjustment
25	726-0233	1	/P	Nut, Push, .25 ID x .50 OD
26	732-04280A	1	S	Spring, Extension, .75 Dia. x 6.37
27	732-04287	1		Spring, Extension, .50 Dia. x 6.375
28	734-0973	1	/P	Wheel, Deck 5.0 x 1.38 Not Used
29	736-0119	1	S	Washer, Lock, 5/16
30	736-0270	1	/P	Washer, Bell, .265 x .75 x .062
31	736-0289	1	S	Bushing, Shoulder, .320 ID x .135
32	736-0267	1	S	Washer, Flat, .385 x .87 x .06
33	736-0225	1	/P	Washer, Lock, 5/8, Internal Tooth
34	736-0187	1	/P	Washer, Flat, .64 x 1.24 x .06
35	738-0373	1	S	Screw, Shoulder, .498 x 1.53, 3/8-16 Not Used
36	738-04146	1		Plug, Screw, M16 x 1.5
37	738-04162	1	S	Spacer, Shoulder, .8540 x .190
38	742-0616A	1	S	Blade, 21.23", Star 3-in-1
39	731-2363	1	/P	Mulch Plug
40	747-04379	1	S	Control Rod, Brake
41	747-04269A	1	/P	Deck Rod, Front Adjustable
42	748-04069	1		Pivot Cup, Deck Lift
43	750-0566A	1	/P	Spacer, .260 x .372 x 1.030
44	754-04060B	1	S	Belt, V-Type
45	756-04129	1	S	Idler Pulley, 4.25" Dia.
46	712-3087	1	/P	Wing Nut, 1/4-20
47	783-04327	1		Cover, Belt, 6.00 Dia.
48	783-1146A	1	S	Deck Skirt
49	710-0599	1	/P	Screw, 1/4-20, .500
50	731-1032B	1	S	Chute Assembly, Discharge



13AN779G766 Pony (2005)
Drive

Page 4 of 18

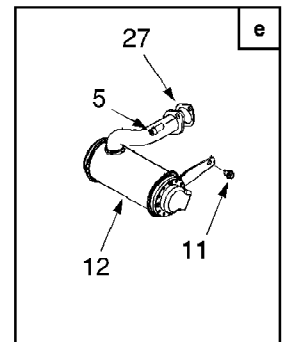
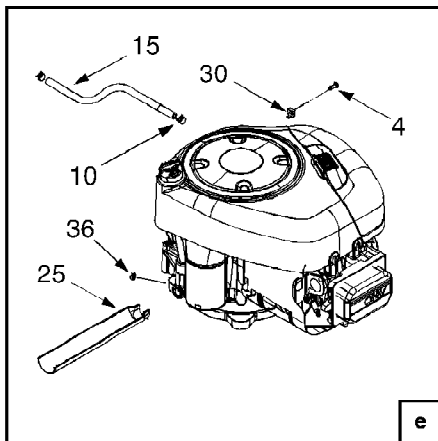
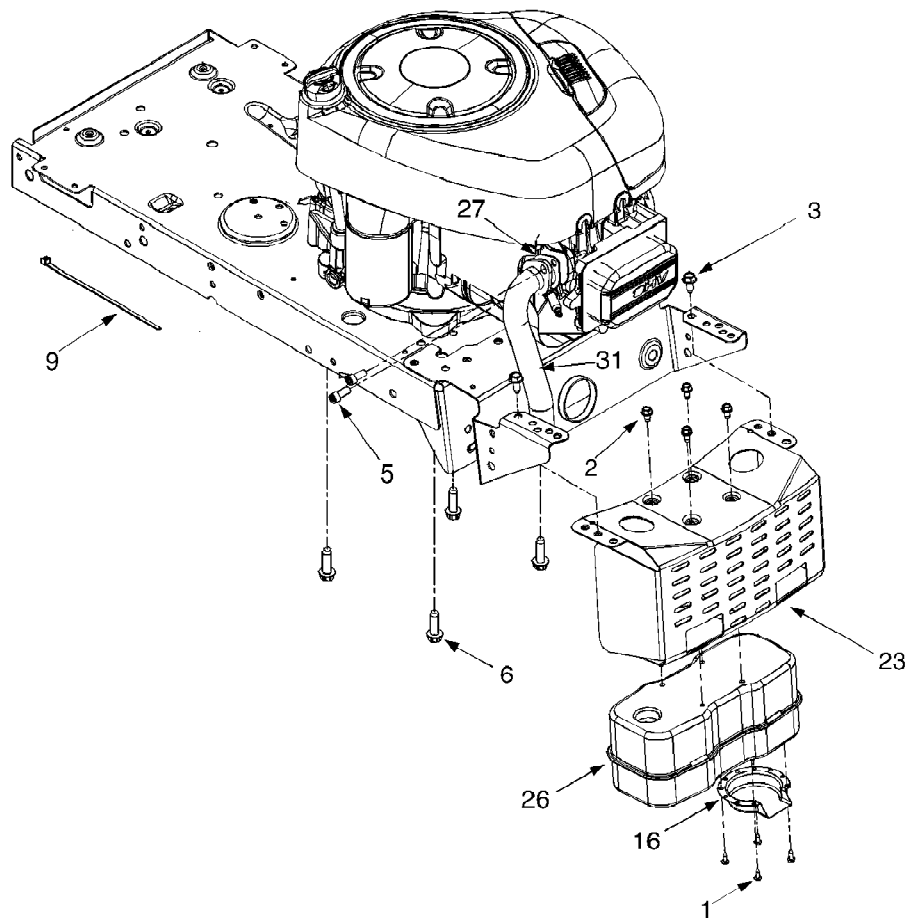
Ref #	Part Number	Qty	S/P/F	Description
1	618-04034	1	S	Transmission Assembly
2	647-04035	1		Lever Assembly, Shift
3	710-0176	1	/P	Screw, 5/16-18, 2.75, Gr5
4	710-0227	1	/P	Screw, #8-18, 0.500
5	710-0726	1	/P	Screw, 5/16-12, 0.750
6	710-0809	1		Screw, 1/4-20, 1.250
7	710-3008	1	/P	Screw, 5/16-18, .75, Gr5
8	711-04075A	1	S	Ferrule, 3/8-24 x .375 Dia.
9	712-04063	1	/P	Nut, Flange Lock, 5/16-18, Gr F, Nylon
10	712-0700	1	/P	Nut, Flange, 9/16-18, Gr2
11	714-0111	1	S	Pin, Cotter, 3/32, 1.0
12	714-0209	1	S	Cotter Pin, Internal .125 Dia
13	714-0470	1	S	Pin, Cotter, 1/8 x 1.25
14	718-0758A	1	S	Hub, Pulley, 5/8 Spline
15	720-04028	1		Knob, Shift
16	725-1644	1		Spring Switch, Short
17	726-0269	1		Speed Nut, 3/8 (Push-on)
18	726-0320	1	S	Plate, Insulator Nut
19	731-04602	1		Sleeve, .758 x .821 x 3.3125
20	731-04604	1		Sleeve, .758 x .821 x 2.4375
21	732-04076A	1	/P	Spring, Extension, 1.15 OD x 7.90
22	732-04237	1		Spring, Extension, .50 OD x 12.0
23	732-04259	1	S	Spring, Extension, .78 OD x 3.5
24	732-0716	1	S	Spring, Extension, .59 OD x 4.00
25	736-0264	1	S	Washer, Flat, .330 x .630 x .0635
26	747-04265	1		Control Rod, Variable Speed
27	747-04277	1		Rod, Shift
28	747-04287	1		Rod, Brake
29	750-0566A	1	/P	Spacer, .260 x .372 x 1.030
30	754-04001A	1	S	Belt
31	754-0241A	1	S	Belt
32	756-04002	1	S	Pulley, V-Type, 7.25 Dia
33	783-04595	1		Shift Bracket, Adjustable
34	17962	1		Plate, Switch
35	710-0224	1	S	Screw, #10-16, 0.500
36	725-04039	1	S	Switch, Interlock
37	647-04034	1	S	Pedal Assembly, Drive
38	683-04188	1	S	Latch Assembly, Engagement
39	710-0347	1	/P	Screw, 3/8-16, 1.75, Gr5
40	710-0607	1	/P	Screw, 5/16-18, 0.500
41	710-1017	1	/P	Screw, 1/4-20, 0.625
42	711-0736	1	/P	Adjustment Ferrule 1/4-20
43	712-04065	1	/P	Nut, Flange Lock, 3/8-16, Gr F, Nylon
44	720-04050	1		Knob, Speed Control
45	726-0214	1	/P	Push Cap, 5/8
46	735-0239	1	/P	Pad, Foot, 4.0
47	746-04158	1	S	Shift Lever, 7-Speed
	746-04174	1	S	Shift Lever, 6-Speed
48	747-04289	1		Control Rod, Speed Selector
49	750-04294	1		Spacer, Shoulder, .38 ID x 50 OD x .15
50	750-04381	1		Spacer, Flange, .390 x .671 x .95
51	750-0802	1		Spacer, .640 ID x .76 OD x 2.63
52	783-04536	1		Support Bracket, Pedal

13AN779G766 Pony (2005)
Drive

Page 5 of 18

Ref #	Part Number	Qty	S/P/F	Description
53	683-04175	1	S	Bracket, Idler
54	683-04176	1	S	Torque Bracket, Transmission
55	710-0604A	1	/P	Screw, 5/16-18, 0.625
56	710-3005	1	/P	Screw, 3/8-16, 1.25, Gr5
57	710-3144	1	/P	Screw, 3/8-16, 2.00, Gr5
58	736-0300	1	S	Washer, Flat, .406 x .875 x .059
59	736-04188	1	S	Washer, Flat, .63 x 1.00 x .015
60	736-3039	1	S	Washer, Flat, .406 x 1.5 x .105
61	738-0347	1	S	Spacer, Shoulder, .625 ID x .169
62	756-0199	1	/P	Pulley, Flat Idler, 2.0 OD
63	656-04015	1	S	Pulley Ass'y, Variable Speed, 4.75 OD
64	683-04174	1	S	Bracket Ass'y, Variable Speed
65	710-0627	1	/P	Screw, 5/16-24, .750, Gr5
66	710-0642	1	/P	Screw, 1/4-20, 0.750
67	718-04012	1	/P	Cup, Bearing
68	736-0362	1	/P	Washer, Flat, .330 x 1.25 x .06
69	741-0600	1	S	Bearing, Ball, 17 x 40 x 12
70	736-0242	1	/P	Bell Washer, .34 x .872 x .060
71	634-0104	1		Wheel Assembly
	734-1730	1		Tire Only, 20 x 8 x 8
	634-0070	1	/P	Rim Assembly (Inc. bearings, valve stem)

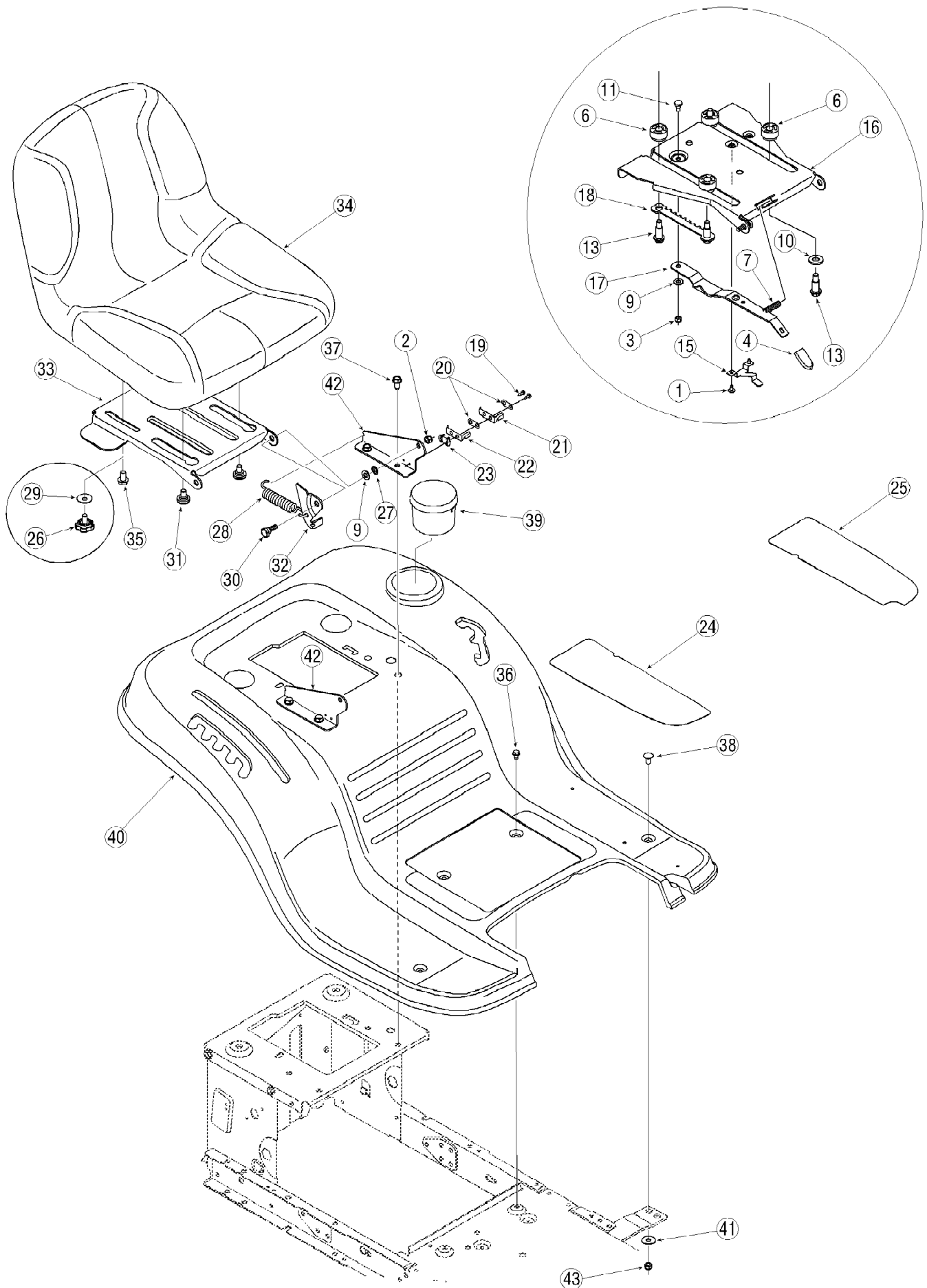
13AN779G766 Pony (2005)
Engine Assembly



13AN779G766 Pony (2005)
Engine Assembly

Page 7 of 18

Ref #	Part Number	Qty	S/P/F	Description
1	710-0148	1	/P	Screw, #8-32, .375
2	710-0896	1	/P	Self-tapping Screw, 1/4-14, .625
3	710-0726	1	/P	Self-tapping Screw, 5/16-12, .75
4	710-1237	1		Screw, #10-32, .625
5	710-1314A	1	/P	Socket Cap Screw, 5/16-18, .625
6	710-1315	1	/P	Self-tapping Screw, 3/8-16, 1.25
9	725-0157	1	/P	Cable Tie, 7.4"
10	726-0205	1	/P	Hose Clamp, .490
11	710-0599	1	/P	Screw, 1/4-20, 0.500
12	N/A	1		Muffler, Exhaust
15	751-0535	1		Fuel Line Hose
16	751-0564A	1	S	Muffler Deflector
23	783-0615D	1	S	Muffler Heat Shield
25	731-1682A	1	/P	Oil Drain Sleeve
26	751-0617A	1	S	Muffer, Single Inlet
26	751-10448	1	S	Muffer w/welded Exhaust Pipe, Single Inlet
27	721-0208	1	S	Exhaust Gasket
30	751B213146	1	/P	Casing Clamp
31	751-0619B	1	S	Exhaust Pipe
36	712-0271	1	/P	Hex Sems Nut, 1/4-20



13AN779G766 Pony (2005)
Fender Assembly

Page 9 of 18

Ref #	Part Number	Qty	S/P/F	Description
1	710-1268	1	/P	Screw, #10-16, .375
2	712-04063	1	/P	Nut, Flange Lock, 5/16-18, Gr F, Nylon
3	712-3027	1	S	Nut, Flange Lock, 1/4-20
4	720-0309A	1	/P	Seat Adjuster Grip
5	726-0201	1		Nut, Speed, .3125 ID
6	731-04074	1		Spacer
7	732-0499	1		Compression Spring, .41 x 1.5
8	732-1184	1	/P	Spring, Extension, .84 Dia. x 4.6
9	736-0275	1	S	Wash, Flat, .344 x .688 x .065
10	736-3019	1		Wash, Flat, .531x 1.062 x .134
11	738-0137A	1	S	Screw, Shoulder, .340 x .285, 1/4-20
12	738-0296	1	S	Screw, Shoulder, .437 x .268, 5/16-18
13	738-0966	1	S	Screw, Shoulder, .50 x .925, 3/8-16
14	783-0209C	1	S	Seat Bracket, Lift
15	783-0611	1		Seat Stop
16	783-0738B	1	S	Seat Pivot Bracket
17	783-0739A	1	S	Seat Adjustment Lever
18	783-0753	1		Seat Adjustment Selector
19	710-0227	1	/P	Screw, #8-18 x .50
20	726-0279	1		Plate, Insulator
21	725-1303	1	S	Spring Switch, Inner
22	725-1439	1		Spring Switch, Outer
23	726-0278	1		Plate, Insulator Boss
24	723-04025	1		Foot Pad, Abrasive, RH
25	723-04026	1		Foot Pad, Abrasive, LH
26	720-04009	1	S	Knob, 3/8-16, .625
27	726-0201	1		Nut, Speed, .3125 Id
28	732-1184	1	/P	Spring, Extension, .84 Dia x 4.6 Lg.
29	736-0101	1	S	Washer, Flat, .406 x 1.00 x .030
30	738-0296	1	S	Screw, Shoulder, .437 x .268, 5/16-18
31	738-04012	1	S	Screw, Shoulder, .625 x .175, 3/8-16
32	783-0209C	1	S	Lift Bracket, Seat
33	783-04081A	1		Pivot Bracket, Seat
34	757-04021A	1	S	Seat, Low Back
	757-04020A	1	S	Seat, Medium Back
35	710-0870	1	/P	Screw, 3/8-16, .625
36	710-0599	1	/P	Screw, 1/4-20, 0.500
37	710-0726	1	/P	Screw, 5/16-12, 0.750
38	710-0134	1	/P	Screw, Carriage, 1/4-20, .62 Gr2
39	731-04591A	1	/P	Cup Holder
40	783-04587	1		Fender
41	736-0173	1	/P	Washer, Flat, .28 x .74 x .063
42	783-1489A	1	/P	Mounting Bracket, Seat
43	712-04064	1	/P	Nut, Flange Lock, 1/4-20, Gr F, Nylon

13AN779G766 Pony (2005)
Hood Assembly

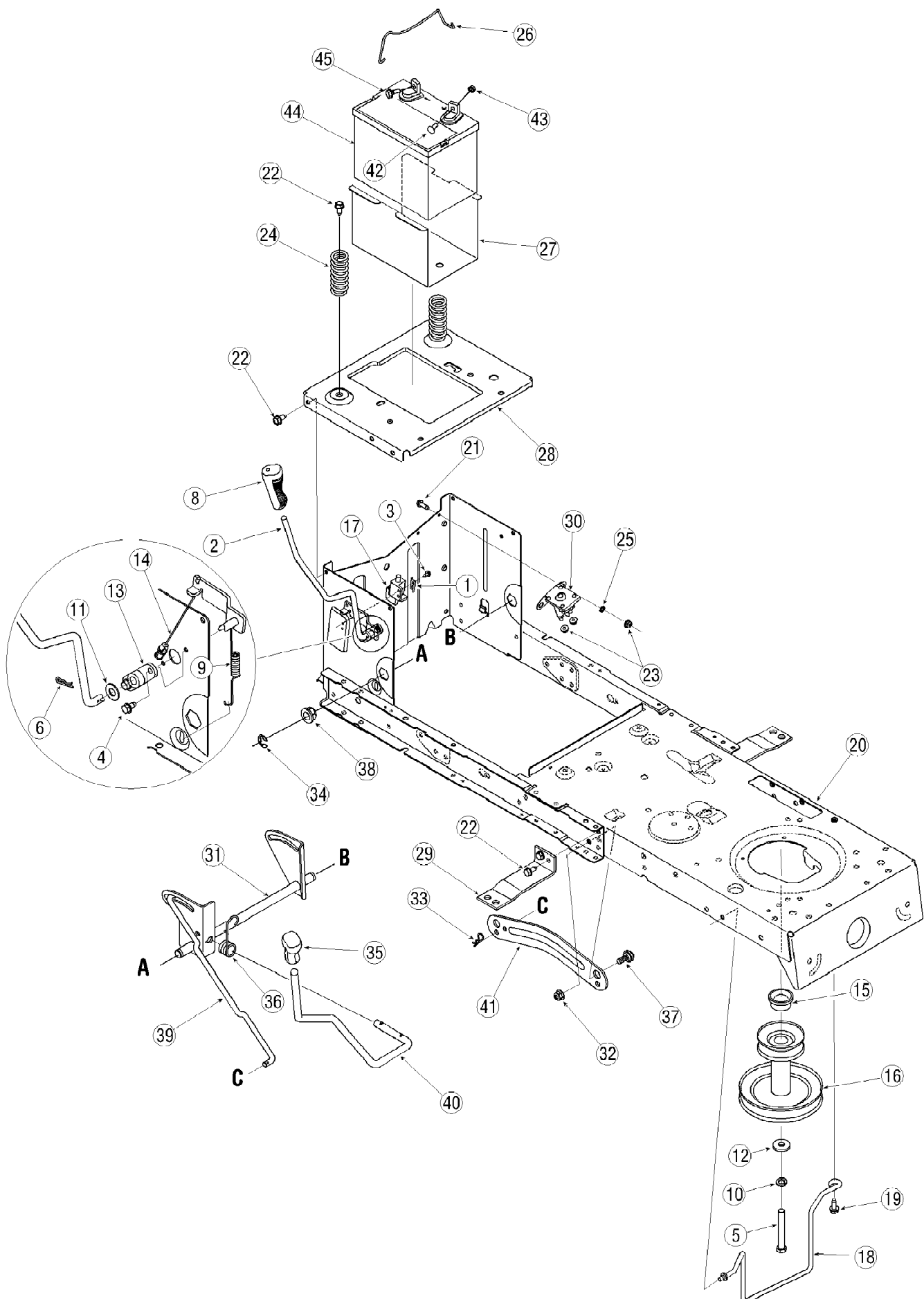
Page 11 of 18

Ref #	Part Number	Qty	S/P/F	Description
1	710-0528	1	/P	Screw, 5/16-18, 1.25, Gr5
2	710-0599	1	/P	Screw, 1/4-20, 0.500
3	710-0895	1		Screw, 1/4-15, 0.750
4	710-0924	1	/P	Screw, Machine, 1/4-20, 0.750
5	710-1017	1	/P	Screw, 1/4-14, 0.625
6	712-0185	1		Speed Nut, U-type, 1/4-20
7	712-0292	1	/P	Nut, Tinn Clip, 1/4-20
8	712-04063	1	/P	Nut, Flange Lock, 5/16-18, Gr F, Nylon
9	725-0963	1	S	Miniature Lamp 12V
10	725-1649	1	S	Lamp Socket, Nylon 1/4-Turn
11	726-0201	1		Nut, Speed, .3125 ID
12	731-04960	1	S	Grill, 9 Style,
12	753-0895	1	/P	Grill, 9 Style, Service Kit Replaces 731-04960
12	731- 2119A	1		GRILLE, 9 STYLE Not Shown, use with 753-0895
12	783-1346A	1	S	GRILLE, SUPPORT BRACKET Not Shown, use with 753-0895
12	777X40317	1		LABEL, REFLECTIVE, HEADLIGHT Not Shown, use with 753-0895
12	731-2118A	1	/P	LENS Not Shown, use with 753-0895
12	710-0895	2		SCREW:HL:1/4-15 X .75 Not Shown, use with 753-0895
12	710-0642	2	/P	SCREW: TAPPING:1/4-20 X .75 Not Shown, use with 753-0895
12	710-0528	2	/P	SCREW:5/16-18 X 1.25": GR5 Not Shown, use with 753-0895
12	736-3078	4	/P	WASHER:FLAT:.344 X 1.0 X .063:HT Not Shown, use with 753-0895
12	736-0119	2	S	WASHER: SPLIT LOCK: 5/16 Not Shown, use with 753-0895
12	712-3010	2	S	NUT:HEX: 5/16-18: GR5 Not Shown, use with 753-0895
12	712-0292	2	/P	NUT: TINN CLIP:1/4-20 Not Shown, use with 753-0895
13	731-05078	1	S	Collar, Dash
14	731-05224	1		Plug, 0.285 Dia.
15	731-2637	1	S	Lens use with 731-04960
16	736-0119	1	S	Washer, Lock, 5/16
17	736-3078	1	/P	Washer, Flat, .344 x 1.0 x .063
18	747-2138	1	/P	Rod, Hinge
19	783-0783	1	S	Hood
20	783-0784A	1		Side Panel, RH
21	783-0785	1		Side Panel, LH
22	783-1346	1	S	Support Bracket, Grille use with 731-04960
23	731-2269A	1		Plenum (Single Cylinder Engine)
23	731-2270A	1	/P	Plenum (Twin Cylinder Engine)
24	726-0230	1	/P	Cable Tie, 34.75

13AN779G766 Pony (2005)
Hood Assembly

Page 12 of 18

Ref #	Part Number	Qty	S/P/F	Description
25	751-0555B	1	/P	Fuel Tank, 1.5 gal.
26	751-0603	1	S	Fuel Tank Cap
27	710-3217	1	/P	Screw, Machine, #8-32, 0.375
28	712-0142	1	/P	Nut, Hex, #8-32, Gr A
29	710-1017	1	/P	Screw, 1/4-14, .625
30	746-1084	1	S	Throttle/Choke Control, 25" (Single Cylinder Engine)
30	746-1086	1	S	Throttle Control, 39" (Twin Cylinder Engine)
31	746-1085A	1	S	Choke Control, 37.5"
32	731-1857	1		Knob, Control
33	731-1999	1		Plug
34	725-04227	1	S	Module, Ignition Switch
35	725-1744	1	S	Key
36	710-0607	1	/P	Screw, 5/16-18, 0.500
37	683-04189	1	S	Dash Assembly
37	783-04584	1	S	Bracket Support, Gas Tank Not shown
38	731-04945	1		Support, Steering

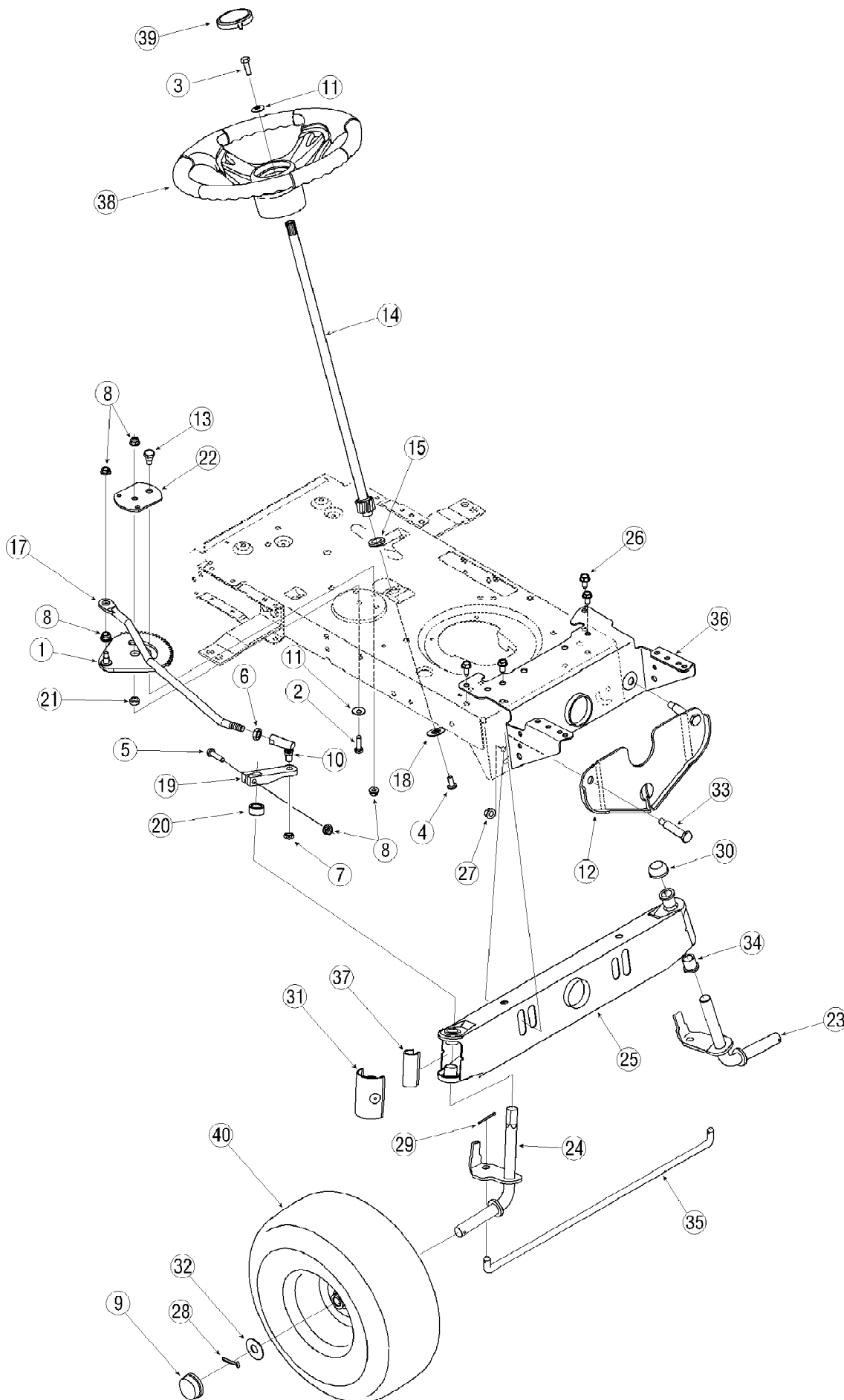


13AN779G766 Pony (2005)
PTO

Page 14 of 18

Ref #	Part Number	Qty	S/P/F	Description
1	17962	1		Plate, Switch
2	647-04040	1		Handle Assembly, PTO
3	710-0224	1	S	Screw, #10-16, 0.500
4	710-0599	1	/P	Screw, 1/4-20, 0.500
5	710-3157A	1	/P	Screw, 7/16-20, 3.25, Gr5
6	714-0104	1	S	Pin, Cotter, .072 Dia. x 1.13
7	714-0145	1	S	Pin, Click, .092 x 1.64
8	720-04049	1	S	Grip, Handle, 3/8
9	732-04276	1	S	Spring, Extension
10	736-0171	1	S	Washer, Lock, 7/16
11	736-0300	1	S	Washer, Flat, .406 x .875 x .059
12	736-0322	1	/P	Washer, Flat, .450 x 1.250 x .164
13	741-04119	1	S	Bearing, PTO
14	746-04173	1	S	Cable, Deck Engagement
15	750-0956	1		Spacer, 1.010 x 1.400 x .825
16	756-04064A	1	S	Engine Pulley, 3.39 x 6.12 Dia.
17	725-04039	1	S	Switch, Interlock
18	747-04307	1	S	Rod, Belt Keeper (42-inch Deck)
19	710-1260A	1	/P	Screw, 5/16-18, .750
20	683-04163	1		Frame Assembly
21	710-0642	1	/P	Screw, 1/4-20, 0.750
22	710-0726	1	/P	Screw, 5/16-12, 0.750
23	712-04064	1	/P	Nut, Flange Lock, 1/4-20, Gr F, Nylon
24	732-04035	1		Spring, Compression, 1.28 OD x 3.125
25	736-0222	1	S	Washer, Lock, 1/4
26	747-04121A	1		Hold Down Rod, Battery
27	783-0349	1		Tray, Battery
28	783-04548	1	S	Seat Bracket, Frame
29	783-04637	1	S	Bracket, Runing Board
30	725-1426	1	S	Solenoid
31	683-04155	1	S	Shaft Assembly, Lift
32	712-04065	1	/P	Nut, Flange Lock, 3/8-16, Gr F, Nylon
33	714-04023	1	S	Pin, Cotter, .080 x 1.5625 Internal
34	716-0106A	1		Ring, E-Type, .625 Dia.
35	720-0311	1		Grip, Handle, 1/2
36	732-04225	1		Spring, Torsion
37	738-04130	1		Screw, Shoulder, .625 x .175, 3/8-16
38	741-0225	1	S	Bearing, Hex Flange
39	747-04272	1		Rod, Lift
40	747-04282	1		Deck Handle, Lift
41	783-04494	1		Lift Arm, Deck
42	710-0703	1	/P	Screw, Carriage, 1/4-20, .75, Gr5
43	712-0271	1	/P	Nut, Sems, 1/4-20
44	725-1737A	1	S	Battery, 190 CCA (Single Cylinder Engine)
45	738-1132	1		Screw, Shoulder, .250 x .150, 1/4-20

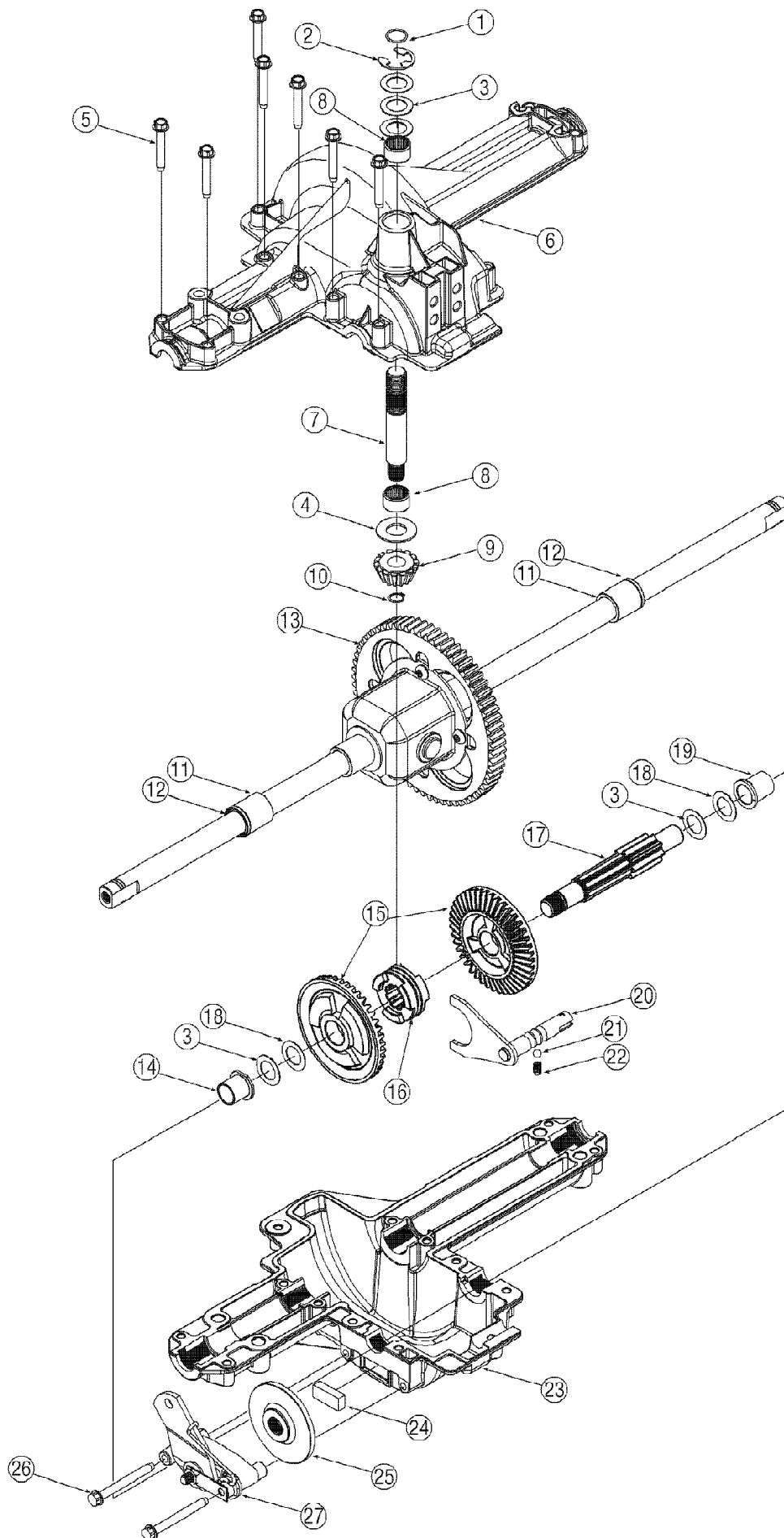
13AN779G766 Pony (2005)
Steering



13AN779G766 Pony (2005)
Steering

Page 16 of 18

Ref #	Part Number	Qty	S/P/F	Description
1	617-04024	1	S	Gear Assembly, Steering
2	710-0376	1	/P	Screw, 5/16-18, 1.00, Gr5
3	710-0643	1	/P	Screw, 5/16-18, 1.00, Gr5, Lock
4	710-1309	1	/P	Screw, Mach, 5/16-18, 0.750
5	710-3180	1	/P	Screw, 5/16-18, 1.75, Gr5
6	712-0240	1	S	Nut, Jam, 7/16-20, Gr2
7	712-0262	1	/P	Nut, Jam Lock, 3/8-24, Gr2
8	712-04063	1	/P	Nut, Flange Lock, 5/16-18, Grf, Nylon
9	731-0484A	1	S	Hub Cap
10	723-0448A	1	S	Ball Joint, 7/16-20, Lock
11	736-0242	1	/P	Washer, Bell, .340 x .872 x .060
12	783-04568	1		Front Hanger Bracket, Deck
13	738-04141	1		Screw, Shoulder, .435 x .3485, 5/16-18
14	738-0919	1	S	Steering Shaft, 5/8 Spline x 21.86
15	741-04124	1	S	Bearing, Flange, Hex 5/8
16	741-0475	1	S	Plastic Bushing .380 ID
17	747-04298	1		Drag Link, Steering
18	748-0389	1	S	Cap, 1.25 x .16
19	748-04065	1	S	Steering, Block
20	748-04068	1		Spacer, .710 ID x .125 OD x .56
21	750-04418	1		Spacer, .322 ID x .625 OD x .21
22	783-04644	1	S	Stabilizer Plate, Gear Segment
23	638-04007	1	S	Axle Assembly, LH
24	638-04008	1	S	Axle Assembly, RH
25	683-0128B	1	/P	Pivot Bar
26	710-0726	1	/P	Screw, 5/16-12, 0.750
27	712-04065	1	/P	Nut, Flange Lock, 3/8-16, Gr F, Nylon
28	714-04039	1		Pin, Cotter, 5/32, 1.25
29	714-0470	1	S	Pin, Cotter, 1/8 x 1.25
30	726-0341	1	/P	Push Cap, 3/4
31	731-1291A	1	S	End Cap, Pivot Bar (w/ Fitting)
32	736-0316	1	S	Washer, Flat, .78 x 1.59 x .060
33	738-04128	1		Screw, Shoulder, .500 x 2.380, 3/8-16
34	741-0660A	1	/P	Bearing, Flange, .760 x .941 x 1.0
35	747-04299	1	S	Tie Rod
36	783-04601	1	S	Bracket, Pivot
37	731-04057A	1		Axle End Cap, Standard
38	631-04028	1		Steering Wheel, Standard Grip
	631-04008	1	S	Steering Wheel, Soft Grip
39	731-04039	1		Cap, Steering Wheel (no logo)
	731-04040	1		Cap, Steering Wheel (sprig logo)
	731-04681	1		Cap, Steering Wheel (tine logo)
40	634-04086	1		Wheel Assembly
	734-1731	1		Tire Only, 15 x 6 x 6
	634-04081	1	S	Rim Assembly (Incl. bearings and valve stem)



13AN779G766 Pony (2005)
Transmission Assembly

Page 18 of 18

Ref #	Part Number	Qty	S/P/F	Description
1	732-0614	1		Ring, Wire
2	716-0231	1	S	Ring, E Type,.750
3	736-0336	1	S	Flat Washer, 5/8 x 1.0 x.030 Use applicable flat washer (ref. #'s 3 or 18) in this application allowing .0150/.0020 in. end-play
3	736-0337	1	S	Flat Washer, 5/8 x 1.0 x.040 Use applicable flat washer (ref. #'s 3 or 18) in this application allowing .0150/.0020 in. end-play
3	736-0349	1	S	Flat Washer, 5/8 x 1.0 x.020 Use applicable flat washer (ref. #'s 3 or 18) in this application allowing .0150/.0020 in. end-play
4	736-0335	1	S	Washer, Thrust.635 x 1.26 x.06
5	710-1325	1	/P	Self-tapping Screw, 1/4-20 x 1.625
6	719-04017	1	S	Upper Housing
7	711-1109	1		Input Shaft
8	741-0335	1	S	Needle Bearing,.625 x.813 x.495
9	717-1464	1		14-tooth Bevel Pinion
10	716-0108	1	S	Retaining Ring,.437
11	741-0340	1	S	Sleeve Bearing,.75 x 1.0 x 1.0
12	721-0338	1	S	Seal,.75 x 1.0 x.125
13	618-04041A	1	S	Differential Assembly
14	741-0336	1	S	Flange Bearing, 5/8 x 3/4 x 3/4
15	717-04056	1	S	42-tooth Bevel Gear
16	718-04045	1	S	Clutch Collar
17	711-04134	1	S	Drive Shaft
18	736-0495	1	S	Thrust Washer, 1.0 x.632 x.0 Use applicable flat washer (ref. #'s 3 or 18) in this application allowing .0150/.0020 in. end-play
18	736-0494	1		Flat Washer,.632 x 1.00 x.035 Use applicable flat washer (ref. #'s 3 or 18) in this application allowing .0150/.0020 in. end-play
19	741-0337	1	S	Flange Bearing, 5/8 x 3/4 x 15/16
20	611-0011	1	S	Detent Shaft Assembly
21	741-0862	1	/P	Detent Ball
22	732-0863	1	S	Compression Spring
23	719-04018	1	S	Lower Housing
24	717-0678	1	S	Brake Puck
25	761-0202	1		Brake Disc
26	710-1206	1	/P	Self-tapping Screw, 1/4-20 x 2.375
27	661-0001	1	S	Brake Assembly
	737-0148	1	S	Grease (19 oz.)
	918-04034	1	S	Transmission, Single-speed