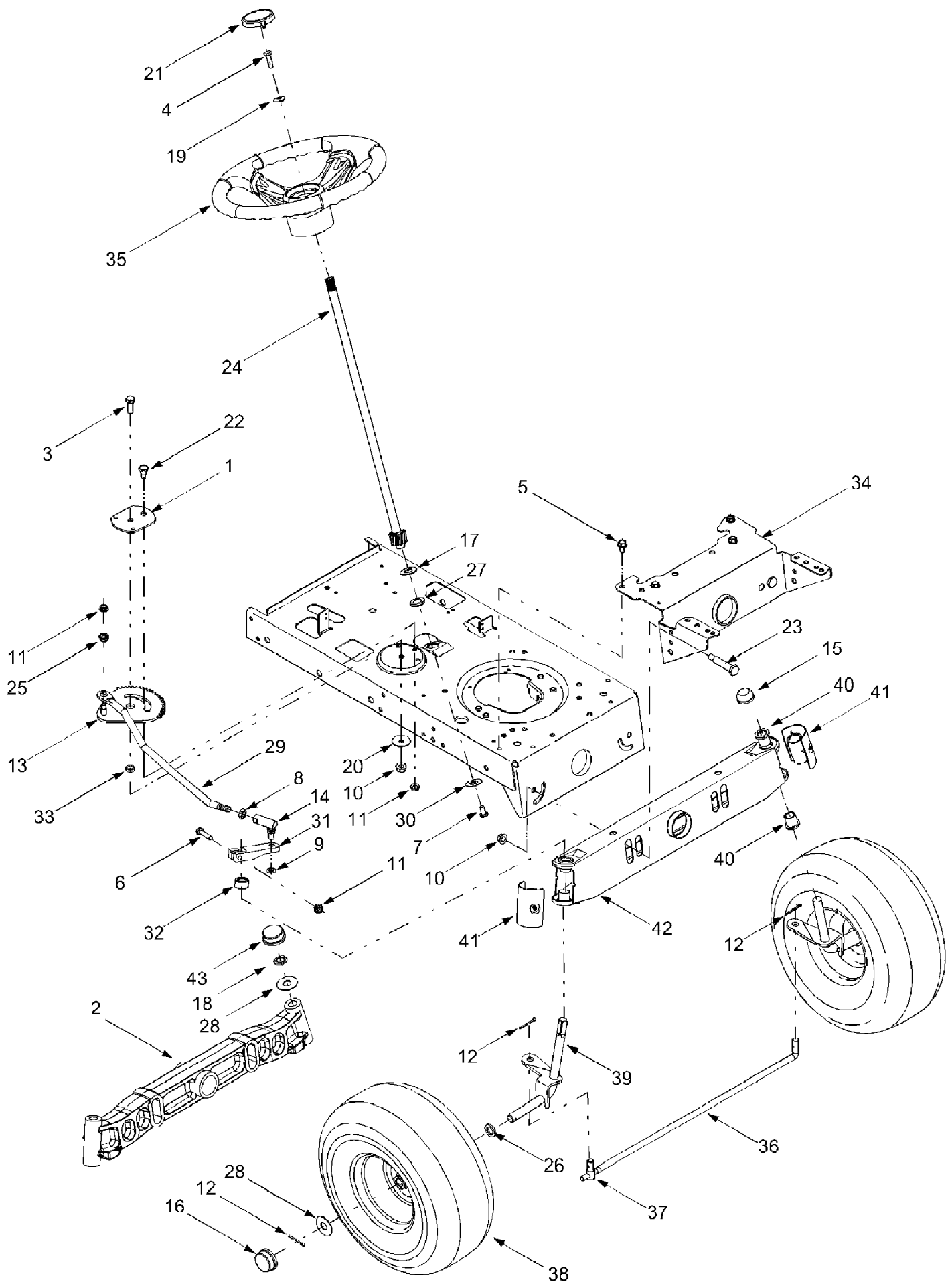


13AN689G766 Pony (2004)
Axle, Front Wheels, Steering

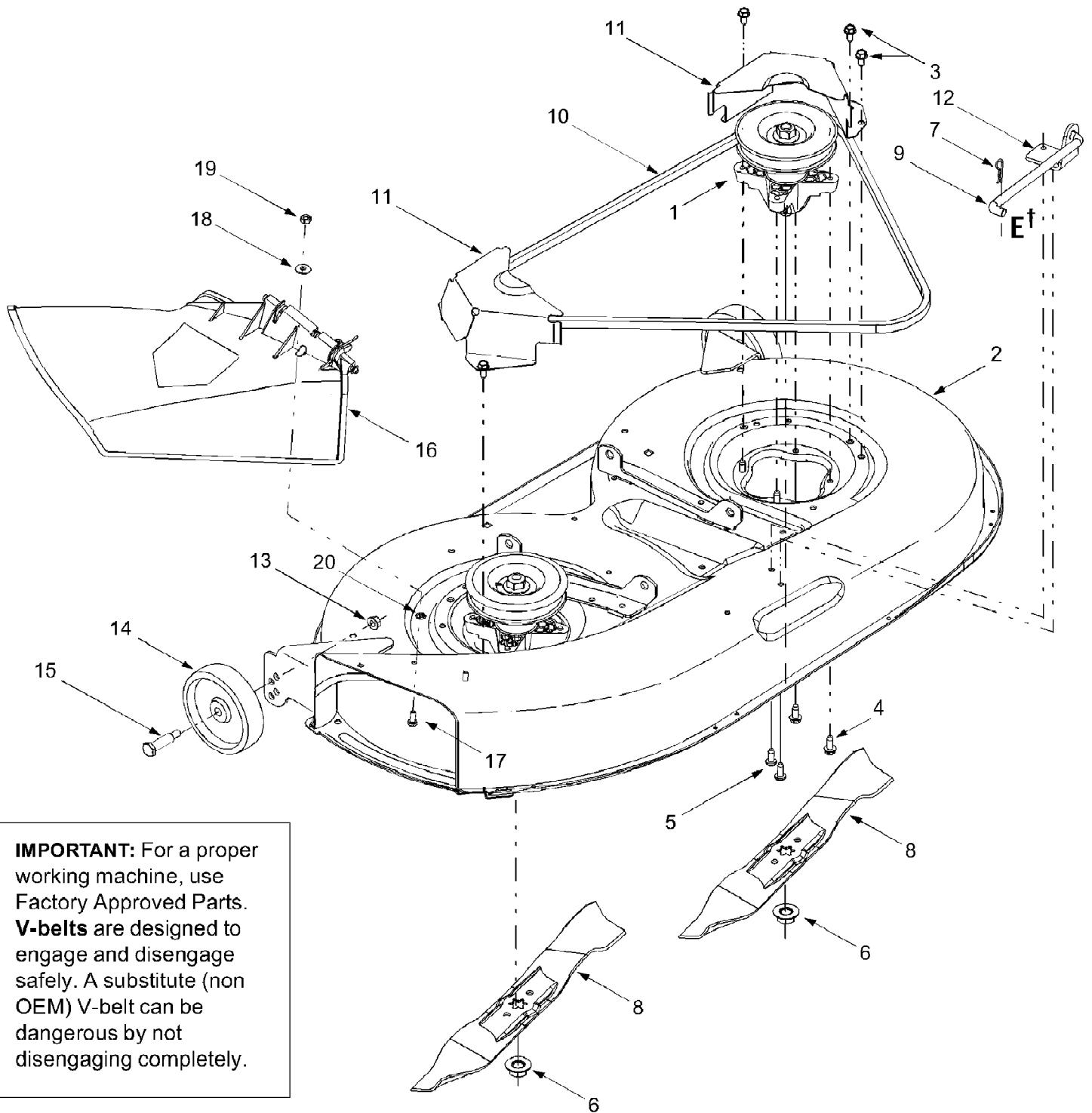


13AN689G766 Pony (2004)
Axle, Front Wheels, Steering

Page 2 of 18

Ref #	Part Number	Qty	S/P/F	Description
1	17198A	1	S	Retainer Gear Segment Plate
2	719-0399B	1	/P	Cast Iron Pivot Bar, .625
3	710-0514	1	/P	Hex Cap Screw, 3/8-16 x 1.0
4	710-0643	1	/P	Hex Cap Screw, 5/16-18 x 1.0
5	710-0726	1	/P	Self-tapping Screw, 5/16-12 x .75
6	710-0805	1	/P	Hex Cap Screw, 5/16-18 x 1.5
7	710-1309	1	/P	Machine Screw, 5/16-18 x .75
8	712-0240	1	S	Jam Nut, 7/16-20 (Grade 2)
9	712-0262	1	/P	Jam Nut, 3/8-24
10	712-0431	1	S	Flange Lock Nut, 3/8-16
11	712-3004A	1	/P	Flange Lock Nut, 5/16-18
12	714-0470	1	S	Cotter Pin, 1/8 x 1.25
13	717-1757A	1	/P	Steering Segment Gear
14	723-0448A	1	S	Ball Joint, 7/16 -20
15	726-0214	1	/P	Push Cap, .625
16	731-0484A	1	S	Hub Cap
17	736-0187	1	/P	Flat Washer, .64 x 1.24 x .060
18	726-04028	1		Push Nut, 5/8
19	736-0242	1	/P	Bell Washer, .34 x .872 x .060
20	736-0356	1	S	Bell Washer, .391 x .380 x .062
21	731-04681	1		Steering Wheel Cap, Small, Troy-Bilt
22	738-0141	1	S	Shoulder Screw, .435 x .350, 5/16-18
23	738-0527	1	S	Shoulder Screw, .498 x 2.045
24	738-0919	1	S	Steering Shaft, 21.86
25	741-0475	1	S	Plastic Bushing, .38 ID
26	736-0162	1	/P	Flat Washer, .64 x 1.0 x .12
27	741-0656	1	S	Hex Flange Bearing, 5/8
28	736-0285	1	/P	Flat Washer, .635 x 1.589 x .06
29	747-1268B	1	/P	Steering Drag Link, 7/16-20
30	748-0389	1	S	Cap, 1.25 x .16
31	748-04014B	1	S	Steering Arm
32	748-04020	1	S	Spacer, 1.0 x .645 x .56
33	750-0535	1	S	Spacer, .380 x .625 x .21
34	783-0041D	1		Pivot Bar Bracket
35	631-04028	1		Steering Wheel, Three Spoke
36	747-04057	1		Tie Rod, Adjustable
37	711-04059	1	S	Ferrule, 3/8-24 x .437 Dia
38	634-0105A	1	S	Wheel Assembly Complete
	634-0172	1		Rim Assembly
	741-0706	1	S	Inner Bearing (Flange w/ Fitting)
	741-0487A	1	S	Outer Bearing (Plastic Flange)
	734-1731	1		Tire Only (15 x 6 x 6)
	734-0255	1	S	Air Valve
39	683-04016	1	S	RH Axle Assembly (N698)
	683-04015	1	S	LH Axle Assembly (N698)
	683-04132	1		RH Axle Assembly (J698)
	683-04131	1	S	LH Axle Assembly (J698)
40	741-0487A	1	S	Flange Bearing
41	731-04058	1		End Cap w/ Fitting
42	683-0002A	1	S	Steel Pivot Bar, .625
43	731-04693	1		Cap

13AN689G766 Pony (2004)
Deck Assembly

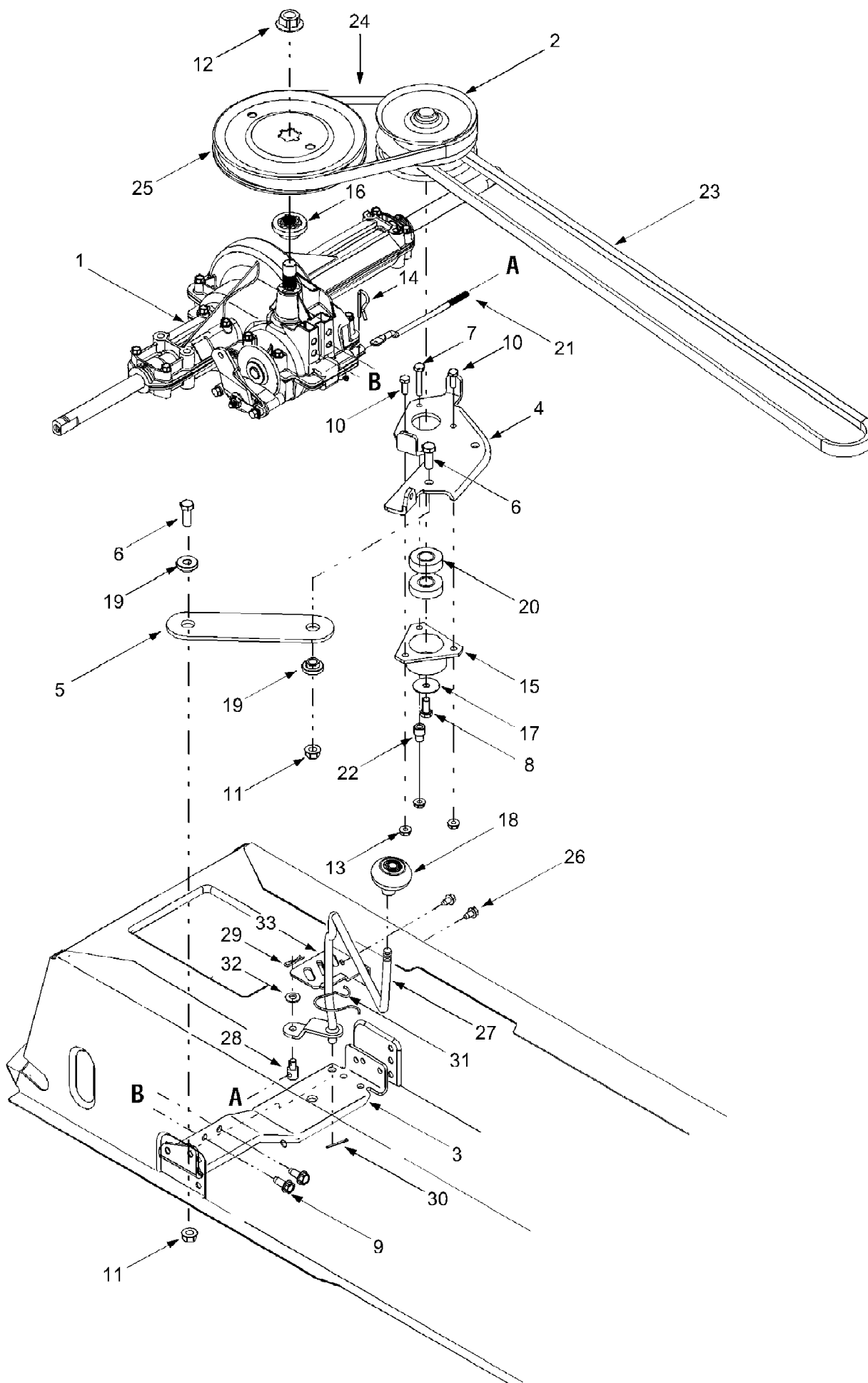


13AN689G766 Pony (2004)
Deck Assembly

Page 4 of 18

Ref #	Part Number	Qty	S/P/F	Description
1	618-0142A	1	S	Spindle Assembly
2	683-04035A	1	S	Deck Shell (Models w/ Deck Wheels)
	683-04004A	1	S	Deck Shell (Models w/o Deck Wheels)
3	710-0726	1	/P	Self-tapping Screw, 5/16-12 x .75
4	710-1260A	1	/P	Screw, 5/16-18 x .75
5	710-1611B	1	/P	Self-tapping Screw, 5/16-18 x .75
6	712-0417A	1	/P	Hex Flange Nut, 5/8-18
7	714-04023	1	S	Internal Cotter Pin, .080 x 1.56
8	742-0616B	1		Blade, 21.23" Star
9	747-04018	1	S	Deck Hanger Link/Anti-sway Rod
10	754-0371A	1	S	Deck Belt
11	783-04149B	1		Belt Cover
12	783-04211	1	S	Anti-sway Stabilizer Bracket
13	712-0431	1	S	Flange Lock Nut, 3/8-16
14	734-0973	1	/P	Deck Wheel, 5 x 1.38
15	738-0373	1	S	Shoulder Screw, .498 x 1.53
16	731-1032B	1	S	Discharge Chute Assembly
17	710-0751	1	/P	Hex Cap Screw:1/4-20 x .620
18	736-0270	1	/P	Bell Washer, .265 x .75 x .062
19	712-3006	1	/P	Hex Nut, 1/4-20
20	726-0233	1	/P	Push Nut, 1/4

13AN689G766 Pony (2004)
Drive

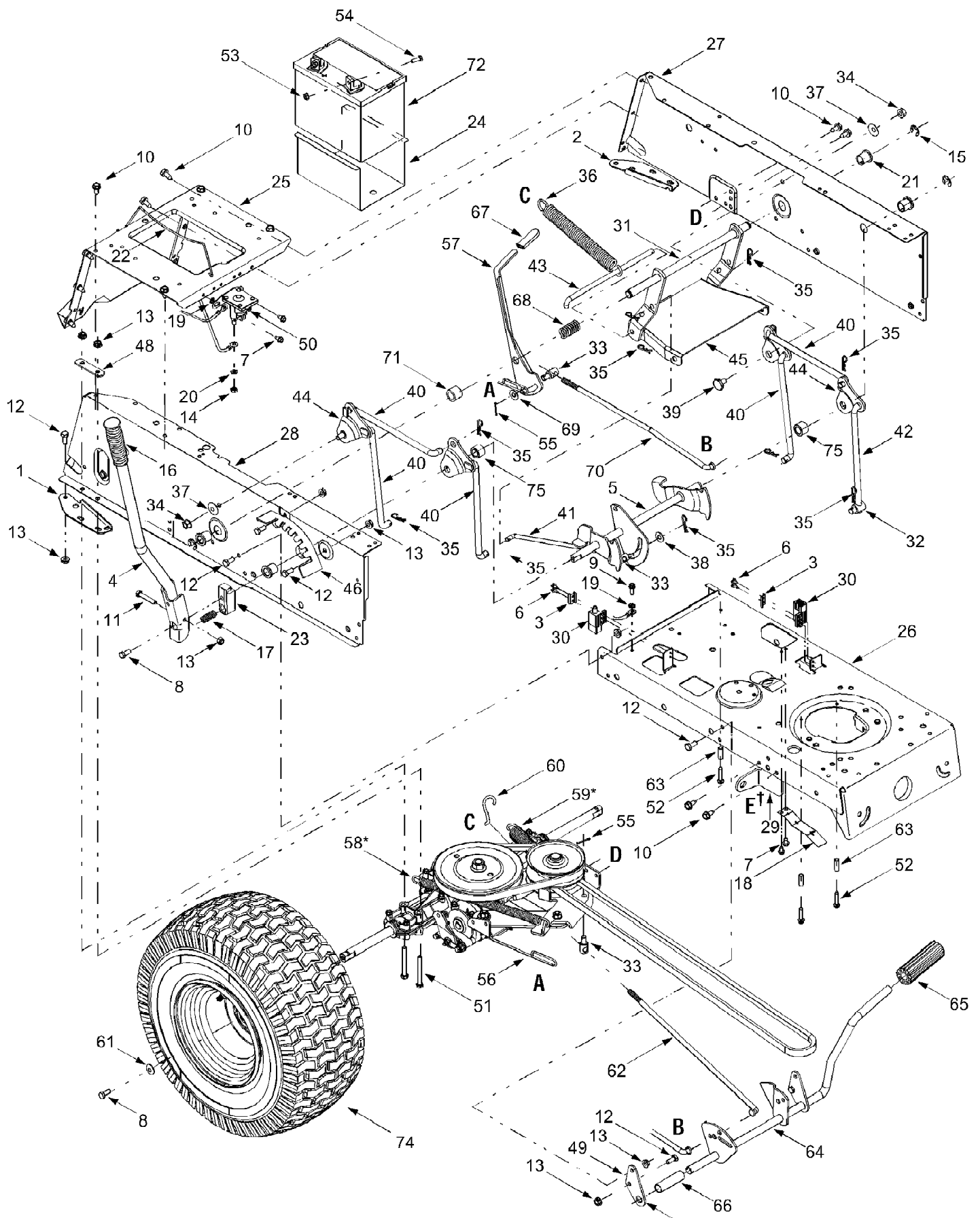


13AN689G766 Pony (2004)
Drive

Page 6 of 18

Ref #	Part Number	Qty	S/P/F	Description
1	618-04034	1	S	Transmission, Single-speed
2	656-0059A	1	S	Variable-speed Pulley, 4.75
3	683-04055	1	S	Torque Bracket
4	683-04056	1		Variable-speed Bracket
5	683-04057	1		Variable-speed Bracket
6	710-0514	1	/P	Hex Cap Screw, 3/8-16 x 1.0
7	710-0606	1	/P	Hex Cap Screw, 1/4-20 x 1.5
8	710-0627	1	/P	Hex Cap Screw, 5/16-24 x .75
9	710-1260A	1	/P	Screw, 5/16-18 x .75
10	710-3015	1	/P	Hex Screw, 1/4-20 x .75
11	712-0431	1	S	Flange Lock Nut, 3/8-16
12	712-0700	1	/P	Flange Nut, 9/16-18
13	712-3027	1	S	Flange Lock Nut, 1/4-20
14	714-0209	1	S	Internal Cotter Pin, .125
15	718-04012	1	/P	Bearing Cup
16	718-0758A	1	S	Pulley Hub, 5/8 Spline
17	736-0362	1	/P	Flat Washer, .320 x 1.25 x .06
18	720-04028	1		Shift Knob
19	738-0372B	1	/P	Shoulder Spacer, 1.0 x .38 x .38
20	741-0600	1	S	Ball Bearing, 17 x 40 x 12
21	747-04072	1		Shift Rod
22	750-04099	1	S	Stepped Spacer
23	754-04001A	1	S	Lower Drive Belt
24	754-04002	1	S	Upper Drive Belt
25	756-04002	1	S	Transmission Pulley, 7.25
26	710-0599	1	/P	Self-tapping Screw, 1/4-20 x .5
27	647-04019	1		Shift Lever Assembly
28	711-0736	1	/P	Ferrule, 1/4-20 x 1.0
29	714-0104	1	S	Cotter Pin, 1.13
30	714-0470	1	S	Cotter Pin, 1.25
31	732-04067	1	S	Spring Compression Clip
32	736-0275	1	S	Flat Washer, .344 x .688 x .065
33	17630A	1	S	Shift Lever Retainer

13AN689G766 Pony (2004)
Drive, Controls, Rear Wheels



* Attach the ends of springs (Ref. 58 & Ref.59) to the notch openings in the rear of Ref. 25.

13AN689G766 Pony (2004)
Drive, Controls, Rear Wheels

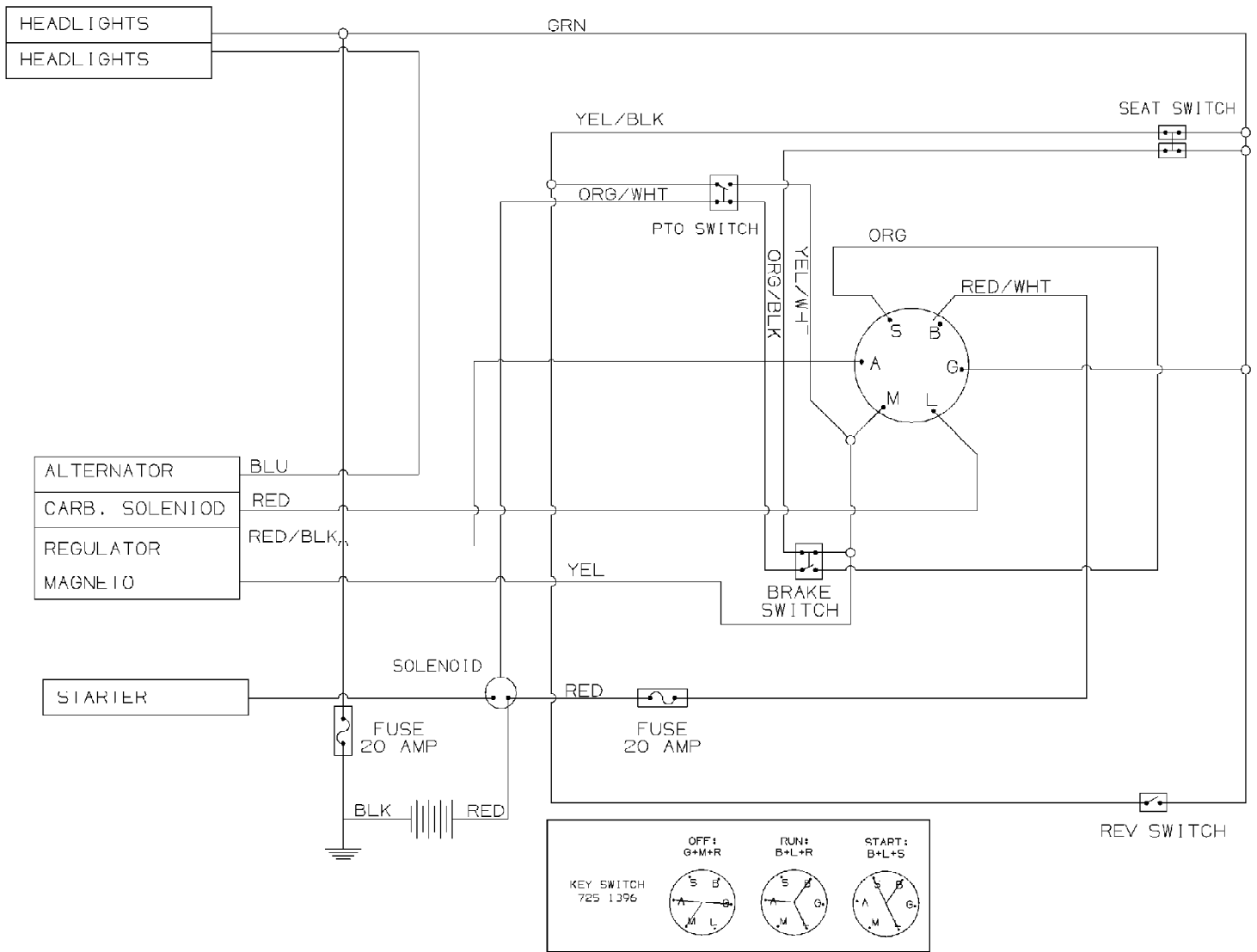
Page 8 of 18

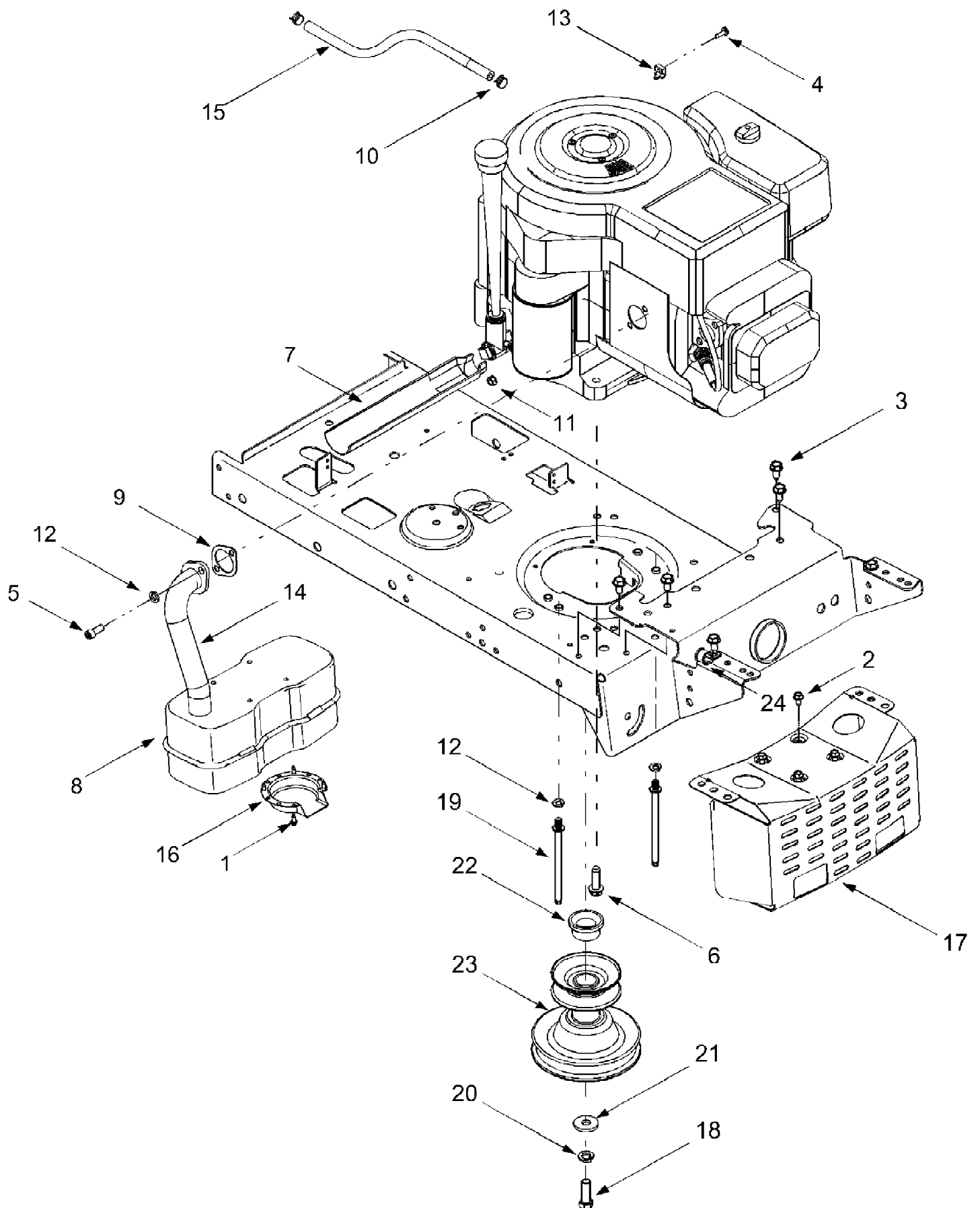
Ref #	Part Number	Qty	S/P/F	Description
1	17668A	1	S	RH Axle Support Bracket
2	17669A	1	S	LH Axle Support Bracket
3	17962	1		Switch Plate
4	683-04025	1		Lift Handle Assembly
5	683-04049	1	S	Lift Shaft Assembly
6	710-0224	1	S	Self-tapping Screw, #10-16 x .5
7	710-0599	1	/P	Self-tapping Screw, 1/4-20 x .5
8	710-0627	1	/P	Hex Cap Screw, 5/16-24 x .75
9	710-0642	1	/P	Self-tapping Screw, 1/4-20 x .75
10	710-0726	1	/P	Self-tapping Screw, 5/16-12 x .75
11	710-3180	1	/P	Hex Cap Screw, 5/16-18 x 1.75
12	710-3008	1	/P	Hex Screw, 5/16-18 x .75
13	712-0429	1	S	Hex Lock Nut, 5/16-18
14	712-3006	1	/P	Hex Nut, 1/4-20
15	716-0106	1	/P	E-Ring, .625 Dia Shaft
16	720-0233	1	S	Handle Grip
17	732-0369	1	S	Compression Spring, .55 x 1.37
18	732-0750A	1	S	Switch Actuator Spring
19	736-0222	1	S	External Lock Washer, 1/4
20	736-0329	1	S	Lock Washer, 1/4
21	741-0487A	1	S	Flange Bearing, .632 ID
22	747-04031	1		Battery Hold-down Rod
23	748-04011A	1	S	Lift Shaft Connector
24	783-0345	1	S	Battery Tray
25	783-0355D	1		Hitch Plate
26	783-04011A	1		Lower Frame
27	783-04031	1	S	LH Upper Frame Side Panel
28	783-04032	1		RH Upper Frame Side Panel
29	783-04213	1	S	Deck Anti-sway Bracket
30	725-04039	1	S	Screw-mount Interlock Switch
31	683-04048	1	S	Stabilizer Shaft Assembly
32	711-04036	1	S	Ferrule, 1/2-20 x .50
33	711-04075A	1	S	Ferrule, 3/8-24 x .375
34	712-0130	1	/P	Hex Lock Nut, 3/8-16
35	714-04023	1	S	Internal Cotter Pin, .080 x 1.56
36	732-04050A	1	S	Extension Spring, 1.07 x 9.52
37	736-0219	1	S	Bell Washer, .389 x 1.12 x .030
38	736-0267	1	S	Flat Washer, .385 x .87 x .060
39	738-0322	1	S	Shoulder Bolt, .625 x .217
40	747-04018A	1	S	Deck Hanger Link
41	747-04040A	1		Deck Disengagement Rod
42	747-04069A	1	/P	Deck Hanger Link
43	747-04157	1		Rear Stabilizer Rod
44	783-04307-0637	1	/P	Lift Link
45	783-04294	1	S	Deck Stabilizer Bracket
46	783-04113	1	S	Deck Lift Index Bracket
47	17630A	1	S	Shift Lever Retainer
48	17840	1	S	Transaxle Mounting Bracket
49	17860	1	S	Pedal Mounting Bracket
50	725-1426	1	S	Solenoid
51	710-0176	1	/P	Hex Cap Screw, 5/16-18 x 2.75
52	710-0809	1		Self-tapping Screw, 1/4-20 x 1.25
53	712-0271	1	/P	Hex Sems Nut, 1/4-20

13AN689G766 Pony (2004)
Drive, Controls, Rear Wheels

Page 9 of 18

Ref #	Part Number	Qty	S/P/F	Description
54	710-3015	1	/P	Hex Screw, 1/4-20 x .75
55	714-0470	1	S	Cotter Pin
56	732-04029	1	S	Extension Spring, .59 x 12.38
57	783-04059	1		Speed Select Lever
58	732-04075A	1	S	Extension Spring, .73 x 12.54
59	732-04076	1	S	Extension Spring, 1.15 x 7.90
60	732-0722A	1	S	Brake Return Spring
61	736-0242	1	/P	Bell Washer, .34 x .872 x .060
62	747-04043	1		Variable Speed Control Rod
63	750-0566A	1	/P	Spacer, .260 x .372 x 1.030
64	683-04005A	1		Clutch / Brake Pedal Assembly
65	735-0196	1	S	Foot Pad, 4.6
66	750-0802	1		Spacer, .640 x .76 x 2.63
67	720-04008	1		Shift Handle Grip
68	732-04017	1	S	Compression Spring, .89 x 1.
69	736-0300	1	S	Flat Washer, .406 x .875 x .059
70	747-04039	1		Speed Control Rod
71	750-04080	1	S	Spacer, .640 x 1.0 x .78
72	725-1737A	1	S	Battery, 190 CCA
73	712-3027	1	S	Flange Lock Nut, 1/4-20
74	634-0104	1		Wheel Assembly Complete
74	634-0070	1	/P	Rim Assembly Not shown
74	734-1730	1		Tire Only (20 x 8 x 8) Not shown
74	734-0255	1	S	Air Valve Not shown
75	748-04037	1	S	Spacer, .635 x 1.0 x .696



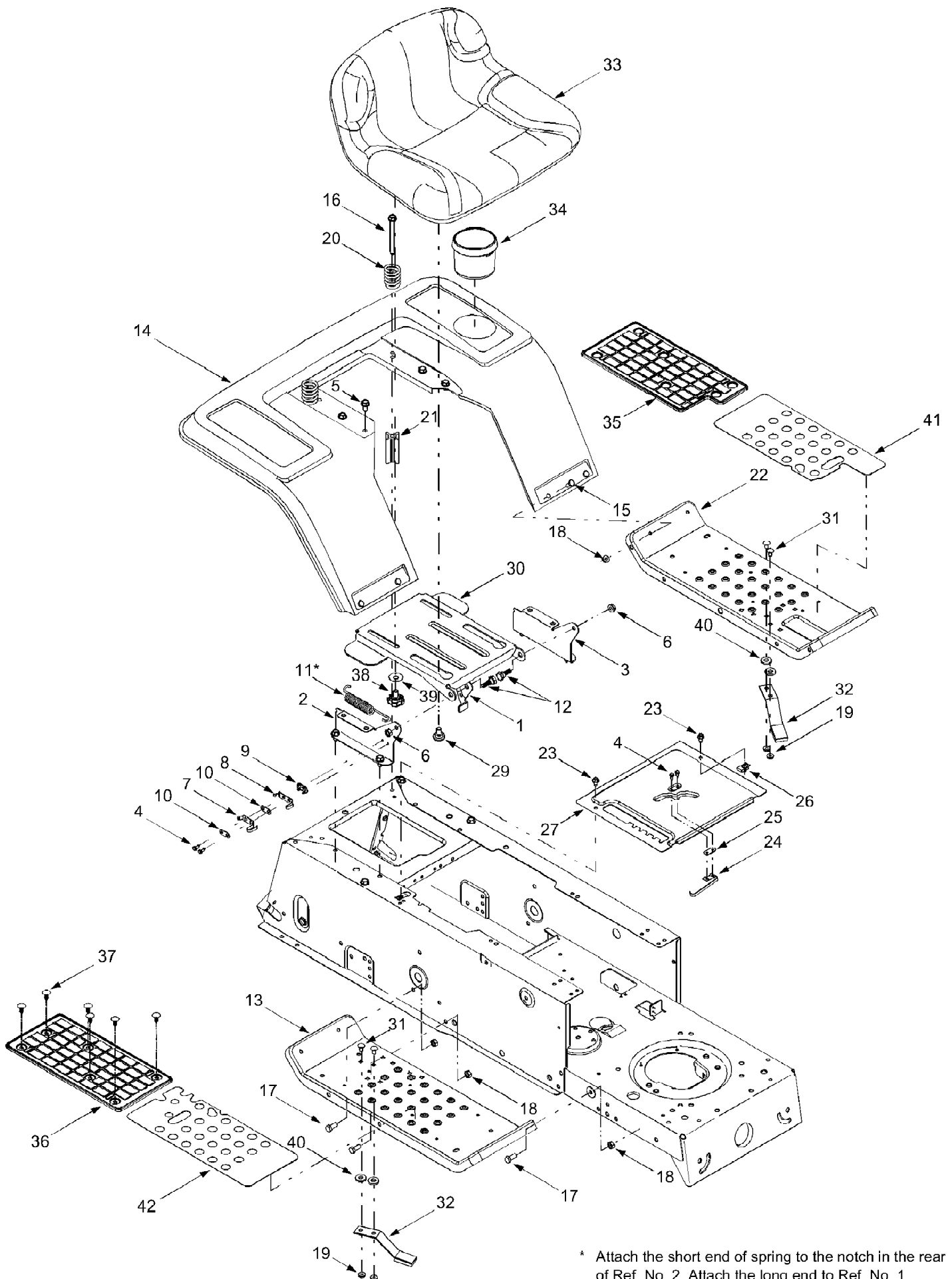


13AN689G766 Pony (2004)
Engine Accessories

Page 12 of 18

Ref #	Part Number	Qty	S/P/F	Description
1	710-0148	1	/P	Screw, #8-32 x .375
2	710-0599	1	/P	Self-tapping Screw, 1/4-20 x .5
3	710-0726	1	/P	Self-tapping Screw, 5/16-12 x .75
4	710-1237	1		Screw, #10-32 x .625
5	710-1314A	1	/P	Socket Cap Screw, 5/16-18 x .625
6	710-1315	1	/P	Self-tapping Screw, 3/8-16 x 1.25
7	731-1682A	1	/P	Oil Drain Sleeve
8	751-0617A	1	S	Muffler, Single Inlet
9	721-0208	1	S	Exhaust Gasket
10	726-0205	1	/P	Hose Clamp, .490
11	712-0271	1	/P	Hex Sems Nut, 1/4-20
12	736-0119	1	S	Lock Washer, 5/16
13	751B213146	1	/P	Casing Clamp
14	751-0619A	1	/P	Exhaust Pipe
15	751-0535	1		Fuel Line Hose
16	751-0564A	1	S	Muffler Deflector
17	783-0615C	1	S	Muffler Heat Shield
18	710-3029	1	/P	Hex Screw, 7/16-20 x 1.25
19	711-1044	1	S	Belt Keeper Pin, 5/16 x 4.75
20	736-0171	1	S	Lock Washer, 7/16
21	736-0322	1	/P	Flat Washer, .450 x 1.25 x .164
22	750-0956	1		Spacer, 1.0 x 1.4 x .825
23	756-04023	1	S	Engine Pulley, 3.12 x 5.56
24	726-0272	1	/P	Clamp

13AN689G766 Pony (2004)
Fender & Seat

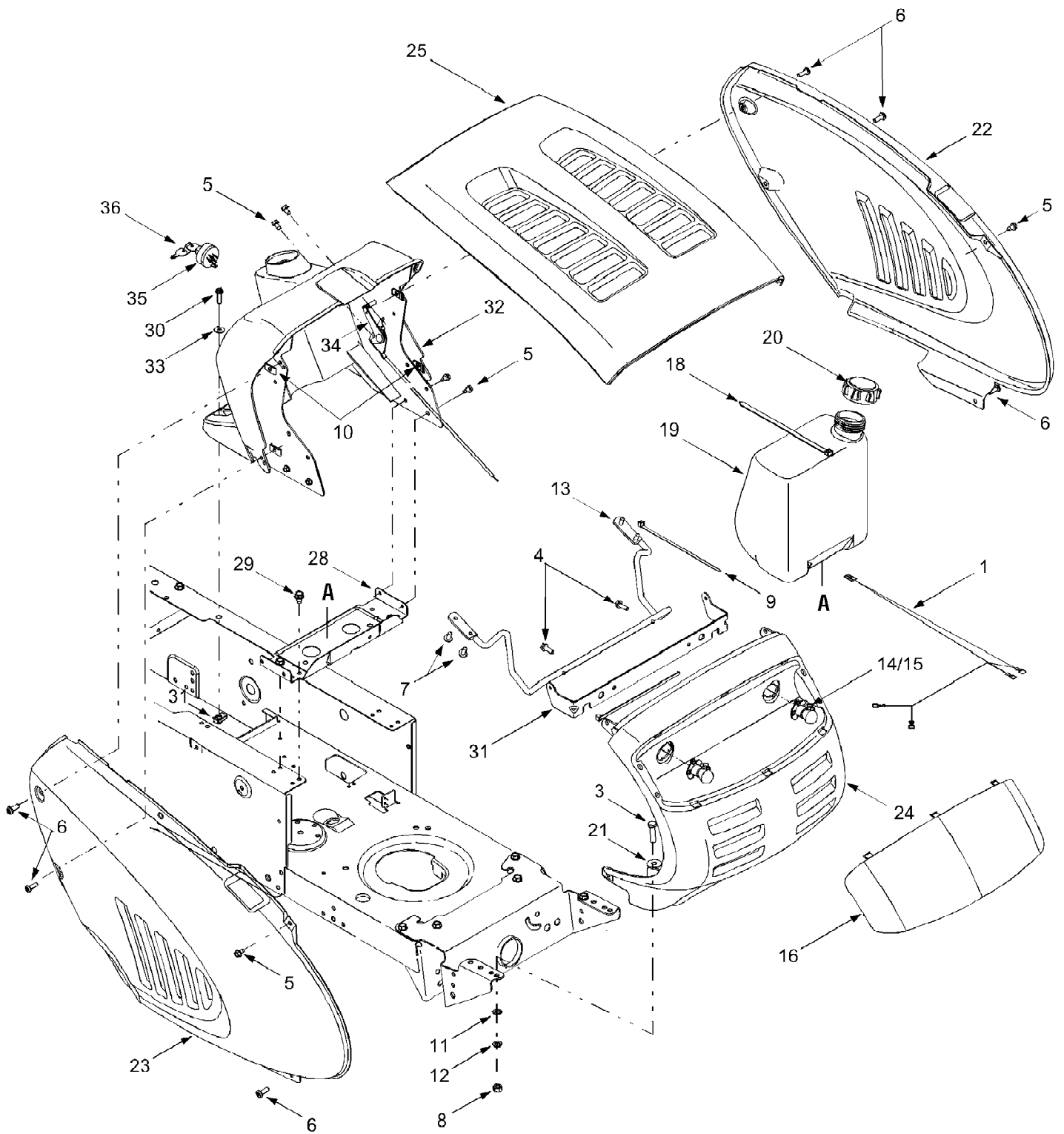


* Attach the short end of spring to the notch in the rear of Ref. No. 2. Attach the long end to Ref. No. 1.

13AN689G766 Pony (2004)
Fender & Seat

Page 14 of 18

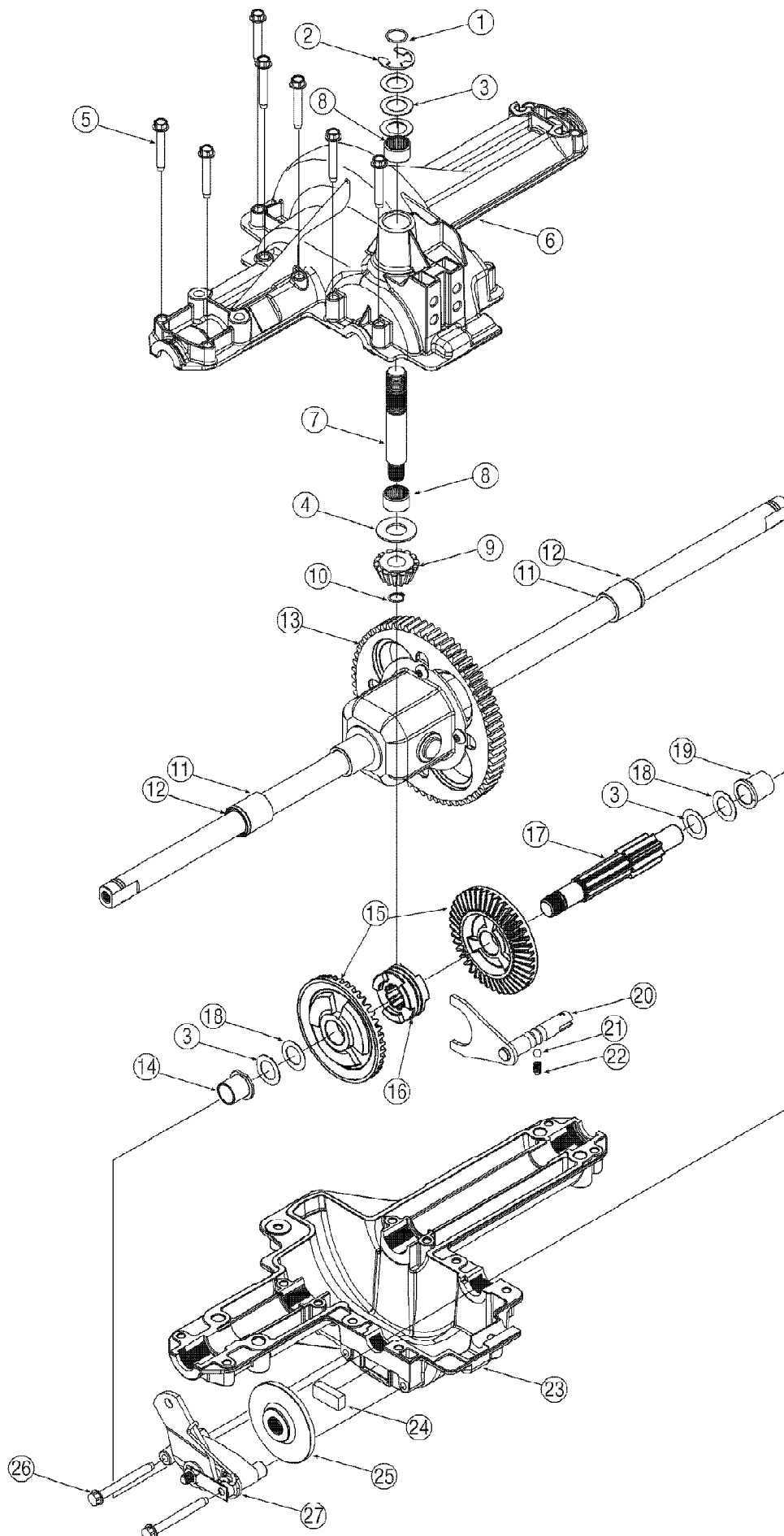
Ref #	Part Number	Qty	S/P/F	Description
1	17239C	1	/P	Seat Lift Bracket
2	17950A	1	S	RH Pivot Support Bracket, Seat
3	17951A	1	S	LH Pivot Support Bracket, Seat
4	710-0227	1	/P	Self-tapping Screw, #8-18 x .50
5	710-0726	1	/P	Self-tapping Screw, 5/16-12 x .75
6	712-0429	1	S	Hex Lock Nut, 5/16-18
7	725-1303	1	S	Outer Seat Spring Switch
8	725-1439	1		Inner Seat Spring Switch
9	726-0278	1		Insulator Plate Boss
10	726-0279	1		Insulator Plate
11	732-0581B	1	S	Extension Spring, .75 x 5.31
12	738-0296	1	S	Shoulder Screw, .437 x .286
13	17770G	1	S	Running Board
14	17870C	1	/P	Fender (models w/o cupholder)
	783-04474	1		Fender (models w/ cupholder)
15	710-0751	1	/P	Hex Screw, 1/4-20 x .620
16	710-1208	1	/P	Self-tapping Screw, 5/16-18 x 3.5
17	710-3008	1	/P	Hex Screw, 5/16-18 x .75
18	712-0429	1	S	Nylon Lock Nut, 5/16-18
19	712-3027	1	S	Flange Lock Nut, 1/4-20
20	732-04038	1	S	Compression Spring, 1.314 x 1.8
21	750-04212	1		Spacer
22	783-04139	1		LH Running Board
23	710-0599	1	/P	Self-tapping Screw, 1/4-20 x .5
24	725-1643	1		Spring Switch, Long
25	726-0320	1	S	Insulator Nut Plate
26	726-3054	1		U-Clip Nut, 1/4-20
27	783-04050A	1	S	Shift Cover Panel, 8-speed
28	710-0870	1	/P	Screw, 3/8-16 x .625
29	738-04012	1	S	Shoulder Screw, .625 x .175, 3/8-16
30	783-04081A	1		Seat Pivot Bracket, Manual Adjust
31	710-0703	1	/P	Carriage Screw, 1/4-20 x .75
32	761-0168B	1	S	Blade Spindle Brake Assembly
33	757-04021	1	S	Low Back Seat, Black
34	731-04591	1	S	Cup Holder
35	735-04009	1	/P	LH Rubber Foot Pad
36	735-0196	1	S	RH Rubber Foot Pad
37	726-3046	1	/P	Ratchet Clip, .250 Dia
38	720-04009	1	S	Knob, 3/8-16 X .625
39	736-0219	1	S	Bell Washer, .389 x 1.120 x .030
40	736-3008	1	S	Flat Washer, .344 x .750 x .120
41	723-04012	1		LH Abrasive Foot Pad
42	723-0422C	1		RH Abrasive Foot Pad



13AN689G766 Pony (2004)
Hood & Electrical

Page 16 of 18

Ref #	Part Number	Qty	S/P/F	Description
1	629-0469B	1	S	Headlamp Harness Assembly
2	683-0195	1		Bracket Assembly
3	710-0528	1	/P	Hex Screw, 5/16-18 x 1.50
4	710-0895	1		Self-tapping Screw, 1/4-15 x .75
5	710-0599	1	/P	Self-tapping Screw, 1/4-20 x .5
6	710-0924	1	/P	Machine Screw, 1/4-20 x .75
7	710-1017	1	/P	Screw, 1/4-20 x .625
8	712-3010	1	S	Hex Nut, 5/16-18
9	725-0157	1	/P	Cable Tie, 7.4"
10	712-0292	1	/P	U-type Speed Nut
11	726-0201	1		Speed Nut, 5/16
12	736-0119	1	S	Lock Washer, 5/16
13	747-2138	1	/P	Hinge Rod
14	725-0963	1	S	Headlamp, 12V
15	725-1649	1	S	Headlamp Socket
16	731-2637	1	S	Headlight Lens
17	735-0126	1	S	Rubber Washer, .87 x .33
18	726-0230	1	/P	Cable Tie, 30.66
19	751-0555B	1	/P	Fuel Tank, 1.5 gal.
20	751-0603	1	S	Fuel Tank Cap
21	736-3078	1	/P	Flat Washer, .344 x 1.0 x .063
22	783-0785	1		LH Side Panel
23	783-0784	1		RH Side Panel
24	731-2119A	1	S	Grille
25	783-0783	1	S	Hood
26	783-0553A	1	S	Hood Support Bracket
27	783-1495	1	S	Hood Side Bracket
28	17632D	1	S	Battery Support Bracket
29	710-0607	1	/P	Self-tapping Screw, 5/16-18 x .5
30	710-0788	1	/P	Self-tapping Screw, 1/4-20 x 1.0
31	783-1346	1	S	Grille Support Bracket
32	731-04180	1	S	Dash Panel
33	736-3090	1	/P	Flat Washer, .260 x .720 x .060
34	746-04020A	1		Throttle / Choke Control, 18.5"
35	725-1396	1	S	Ignition Switch, 6-pin
36	725-0201	1	S	Keys (pair)
	777X40137	1		Headlight Lens Reflector (not shown)



13AN689G766 Pony (2004)
Transmission Assembly

Page 18 of 18

Ref #	Part Number	Qty	S/P/F	Description
1	732-0614	1		Ring, Wire
2	716-0231	1	S	Ring, E Type,.750
3	736-0336	1	S	Flat Washer, 5/8 x 1.0 x.030 Use applicable flat washer (ref. #'s 3 or 18) in this application allowing .0150/.0020 in. end-play
3	736-0337	1	S	Flat Washer, 5/8 x 1.0 x.040 Use applicable flat washer (ref. #'s 3 or 18) in this application allowing .0150/.0020 in. end-play
3	736-0349	1	S	Flat Washer, 5/8 x 1.0 x.020 Use applicable flat washer (ref. #'s 3 or 18) in this application allowing .0150/.0020 in. end-play
4	736-0335	1	S	Washer, Thrust.635 x 1.26 x.06
5	710-1325	1	/P	Self-tapping Screw, 1/4-20 x 1.625
6	719-04017	1	S	Upper Housing
7	711-1109	1		Input Shaft
8	741-0335	1	S	Needle Bearing,.625 x.813 x.495
9	717-1464	1		14-tooth Bevel Pinion
10	716-0108	1	S	Retaining Ring,.437
11	741-0340	1	S	Sleeve Bearing,.75 x 1.0 x 1.0
12	721-0338	1	S	Seal,.75 x 1.0 x.125
13	618-04041A	1	S	Differential Assembly
14	741-0336	1	S	Flange Bearing, 5/8 x 3/4 x 3/4
15	717-04056	1	S	42-tooth Bevel Gear
16	718-04045	1	S	Clutch Collar
17	711-04134	1	S	Drive Shaft
18	736-0495	1	S	Thrust Washer, 1.0 x.632 x.0 Use applicable flat washer (ref. #'s 3 or 18) in this application allowing .0150/.0020 in. end-play
18	736-0494	1		Flat Washer,.632 x 1.00 x.035 Use applicable flat washer (ref. #'s 3 or 18) in this application allowing .0150/.0020 in. end-play
19	741-0337	1	S	Flange Bearing, 5/8 x 3/4 x 15/16
20	611-0011	1	S	Detent Shaft Assembly
21	741-0862	1	/P	Detent Ball
22	732-0863	1	S	Compression Spring
23	719-04018	1	S	Lower Housing
24	717-0678	1	S	Brake Puck
25	761-0202	1		Brake Disc
26	710-1206	1	/P	Self-tapping Screw, 1/4-20 x 2.375
27	661-0001	1	S	Brake Assembly
	737-0148	1	S	Grease (19 oz.)
	918-04034	1	S	Transmission, Single-speed