

13AJ609G766 Bronco (2005)
Deck Assembly

Page 2 of 19

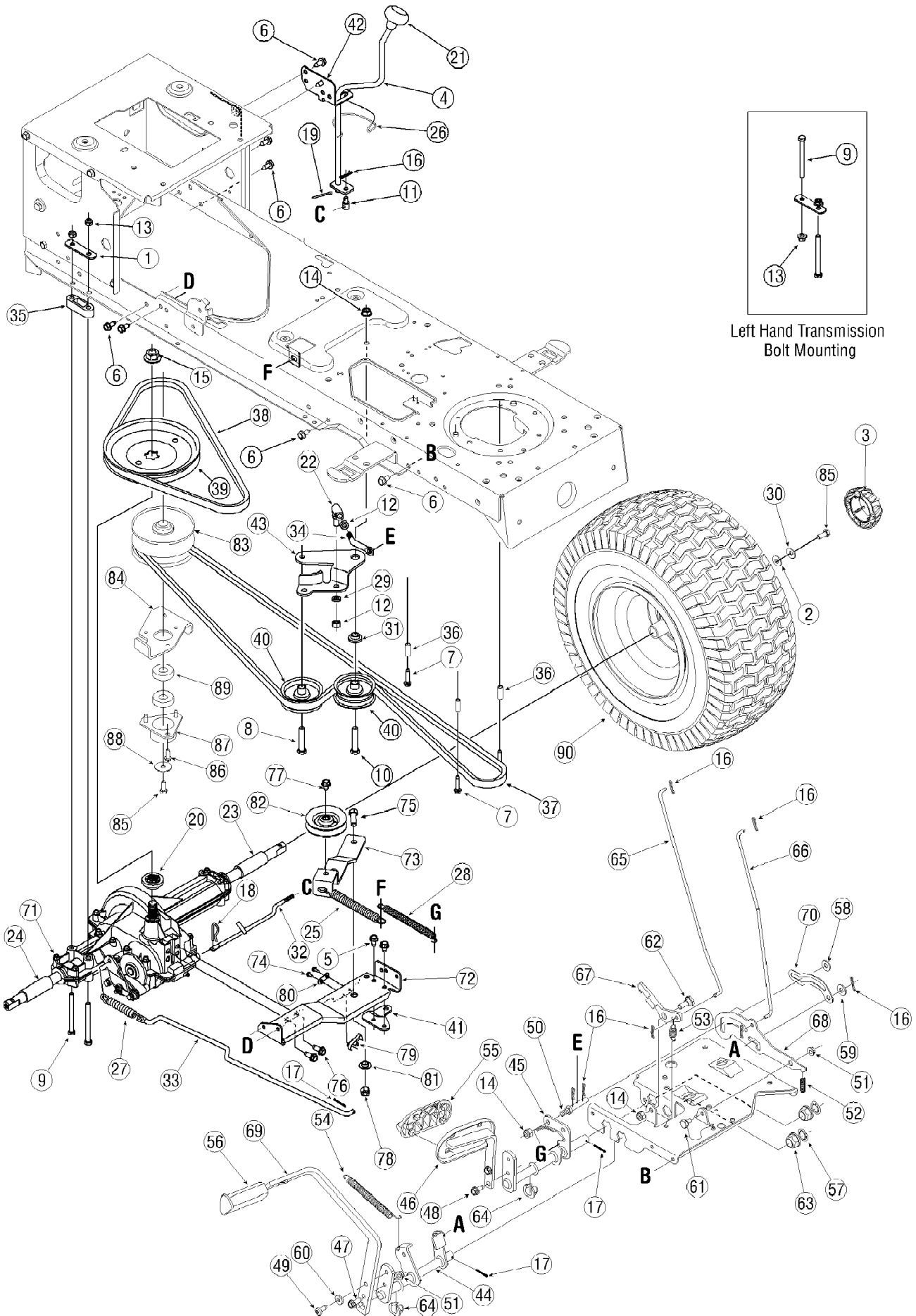
Ref #	Part Number	Qty	S/P/F	Description
1	618-0624	1	S	Pulley/ Spindle Assembly
2	683-04138	1	S	Deck Brake Assembly
3	683-04162	1	S	42" Deck Assembly
4	683-04167	1	S	Deck Brake Assembly
5	683-0254B	1	/P	Deck Hanger Bracket Assembly
6	710-0751	1	/P	Screw, 1/4-20 x.620
7	710-0650	1	/P	Screw, 5/16-18 x.875
8	710-0528	1	/P	Screw, 5/16-18 x 1.25
9	710-0726	1	/P	Screw, 5/16-12 x.750
10	710-1260A	1	/P	Screw, 5/16-18 x.750
11	710-0778	1	/P	Screw, 1/4-20 x 1.500
12	710-3085	1	/P	Screw, 3/8-16 x 3.50
13	711-04069	1	S	Grass catcher Pin
14	712-3006	1	/P	Hex Nut, 1/4-20
15	712-0417A	1	/P	Flange Nut, 5/8-18
16	712-04064	1	/P	Flange Lock Nut, 1/4-20
17	712-04063	1	/P	Flange Lock Nut, 5/16-18
18	712-04065	1	/P	Flange Lock Nut, 3/8-16
19	712-0641	1	S	Hex Nut, M16-1.5
20	712-3083	1	/P	Hex Lock Nut, 1/2-13
21	712-0206	1	S	Hex Nut, 1/2-13
22	714-0470	1	S	Cotter Pin, 1/8 x 1.25
23	714-0104	1	S	Cotter Pin,.072 Dia. x 1.13 Lg.
24	717-04074	1	S	Deck Adjustment Gear
25	726-0233	1	/P	Push Nut,.25 ID x.50 OD
26	732-0306A	1	S	Compression Spring,.531 OD x 1.75 Lg.
27	732-0308A	1	/P	Extension Spring,.50 Dia. x 6.37 Lg.
28	734-0973	1	/P	Deck Wheel
29	736-0119	1	S	Lock Washer, 5/16
30	736-0270	1	/P	Bell Washer,.265 x.75 x.062
31	736-0289	1	S	Shoulder Bushing,.320 ID x.135 Lg.
32	736-0267	1	S	Flat Washer,.385 x.87 x.06
33	736-0225	1	/P	Lock Washer, 5/8
34	750-04446	1		Spacer, 3/8 ID x .68 OD x 1.46 Lg
35	738-0373	1	S	Shoulder Screw,.498 x 1.53 x 3/8-16
36	738-04162	1	S	Shoulder Spacer,.8540 x.200
37	738-04146	1		Plug
38	742-0616A	1	S	Blade, 21.23", Star 3-in-One
39	747-1116	1	/P	Deck Release Handle Rod
40	747-04269A	1	/P	Front Deck Adjustment Rod
41	747-04379	1	S	Brake Control Rod
42	748-04069	1		Deck Lift Pivot Cup
43	750-0566A	1	/P	Spacer,.260 x.372 x 1.030 Lg.
44	754-04060B	1	S	V-Belt, 96.3 Lg.
45	756-04129	1	S	Idler Pulley, 4.25" Dia.
46	783-04327	1		Belt Cover
47	N/A	1		Chute Stop
48	710-0134	1	/P	Carriage Screw, 1/4-20 x.62
49	710-0599	1	/P	Screw, 1/4-20 x.500
50	712-3087	1	/P	Wing Nut, 1/4-20
51	731-2363	1	/P	Mulch Plug
52	783-1146A	1	S	Deck Skirt
53	731-1032B	1	S	Discharge Chute

13AJ609G766 Bronco (2005)
Deck Assembly

Page 3 of 19

Ref #	Part Number	Qty	S/P/F	Description
54	732-04287	1		Extension Spring, .500 Dia. x 6.375 Lg
55	710-3144	1	/P	Screw, 3/8-16 x 2.00
56	712-0431	1	S	Flange Lock Nut, 3/8-16
57	712-0229	1		Push Nut, 3/8
58	736-0187	1	/P	Flat Washer, .64 x 1.24 x .06

13AJ609G766 Bronco (2005)
Drive



13AJ609G766 Bronco (2005)
Drive

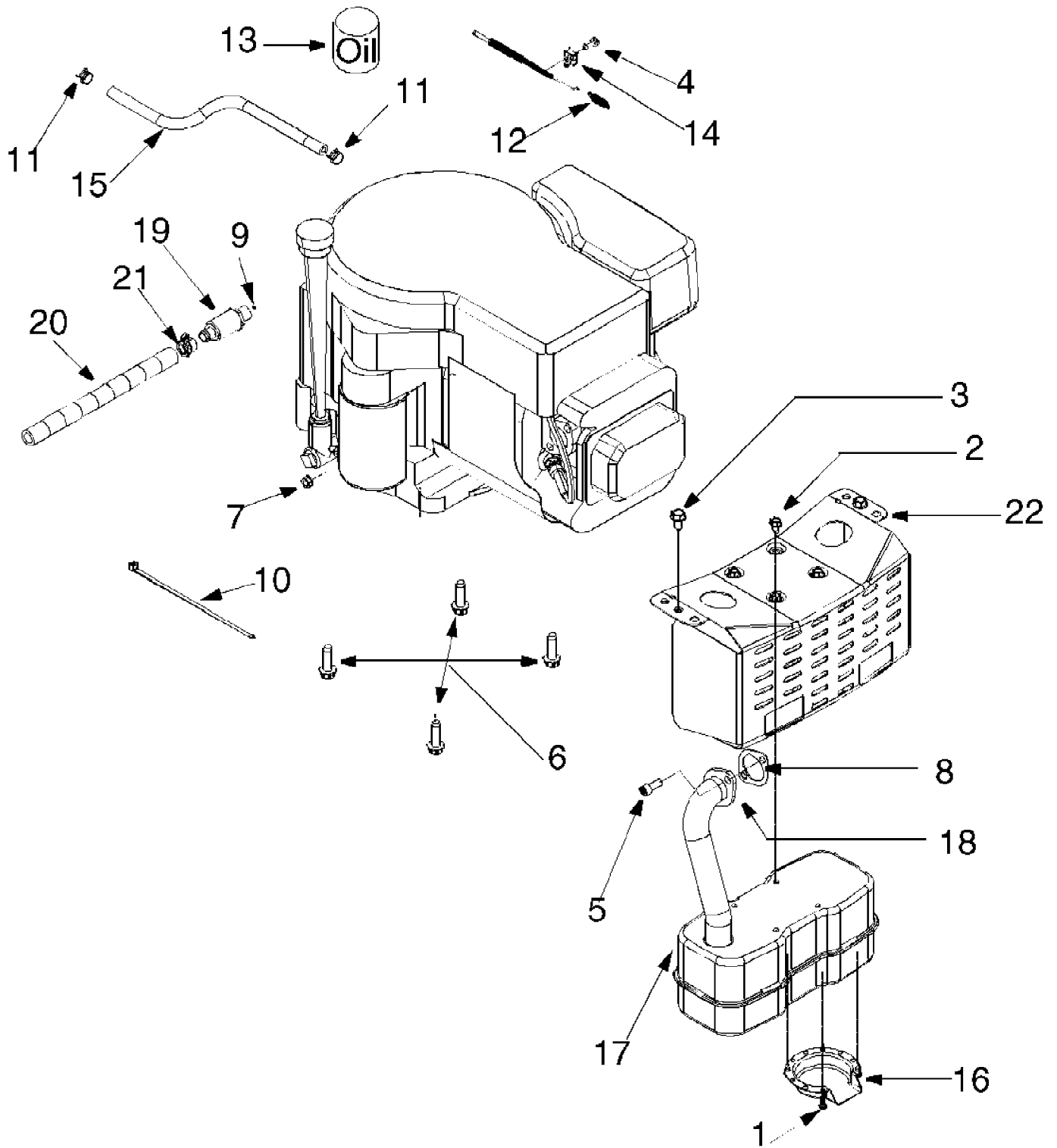
Page 5 of 19

Ref #	Part Number	Qty	S/P/F	Description
1	17840	1	S	Mounting Bracket, Transaxle
2	736-0430	1	/P	Flat Washer,.350 x 1.59 x.062
3	731-2290A	1	/P	Hub Cap
4	647-04020	1		Lever Assembly, Shift
5	710-0607	1	/P	Screw, 5/16-18, 0.500
6	710-0726	1	/P	Screw, 5/16-12, 0.750
7	710-0809	1		Screw, 1/4-20, 1.250
8	710-1007	1	/P	Screw, Sems, 3/8-16, 1.500
9	710-1266	1	/P	Screw, 5/16-18, 3.50, Gr5
10	710-3144	1	/P	Screw, 3/8-16, 2.00, Gr5
11	711-0736	1	/P	Adjustment Ferrule 1/4-20 x 1.
12	712-0241	1	/P	Nut, Hex, 3/8-24, Gr5
13	712-04063	1	/P	Nut, Flange Lock, 5/16-18, Gr F, Nylon
14	712-04065	1	/P	Nut, Flange Lock, 3/8-16, Gr F, Nylon
15	712-0700	1	/P	Nut, Flange, 9/16-18, Gr2
16	714-0104	1	S	Pin, Cotter,.072 Dia. x 1.13
17	714-0111	1	S	Pin, Cotter, 3/32, 1.0
18	714-0209	1	S	Cotter Pin, Internal,.125 Dia.
19	714-0470	1	S	Pin, Cotter, 1/8 x 1.25
20	718-0758A	1	S	Pulley Hub, 5/8 Spline
21	720-04028	1		Knob, Shift
22	723-3018	1	S	Ball Joint
23	731-04602	1		Sleeve,.758 x.821 x 3.3125
24	731-04604	1		Sleeve,.758 x.821 x 2.4375
25	732-0384	1	S	Spring, Extension,.62 Dia x 6.12
26	732-0525	1		Spring Clip, Shifter
27	732-0716	1	S	Spring, Extension,.59 OD x 4.00
28	732-0963	1		Spring, Extension,.50 Dia x 6.37
29	736-0169	1	S	Washer, Lock, 3/8
30	736-0242	1	/P	Washer, Bell,.340 x.872 x.060
31	738-0372B	1	/P	Spacer, Shoulder, 1.00 x.38 x.38
32	747-04146	1	S	Rod, Shift
33	747-04164	1		Rod, Brake
34	747-1127	1		Idler Rod, Adjustable, 3/8
35	748-0334	1	S	Spacer,.68
36	750-0566A	1	/P	Spacer,.260 x.372 x 1.030
37	754-0467	1	S	Belt, V-Type
38	754-0468	1	S	Belt, V-Type
39	756-04002	1	S	Pulley, V-Type, 7.25 Dia.
40	756-0981B	1	S	Idler Pulley, Flat 2.75 OD
41	783-04283	1		Bracket, Shift
42	783-04360	1		Bracket, Shift, F-N-R
43	783-04442	1		Idler Bracket, Center Double
44	647-0031B	1	S	Control Assembly, Brake
45	647-0032A	1	S	Control Assembly, Speed
46	683-0266	1		Pedal Assembly
47	710-0650	1	/P	Screw, 5/16-18, 0.875
48	710-1260A	1	/P	Screw,5/16-18, 0.750
49	710-1611B	1	/P	Screw, 5/16-18, 0.750
50	711-04159B	1		Pin, 3/8-16 x 2.68
51	712-3004A	1	/P	Nut, Flange Lock, 5/16-18, Gr5
52	732-0335	1		Spring, Compression,.405 x 1.17
53	732-0955	1		Spring, Extension,.50 OD x 1.41

13AJ609G766 Bronco (2005)
Drive

Page 6 of 19

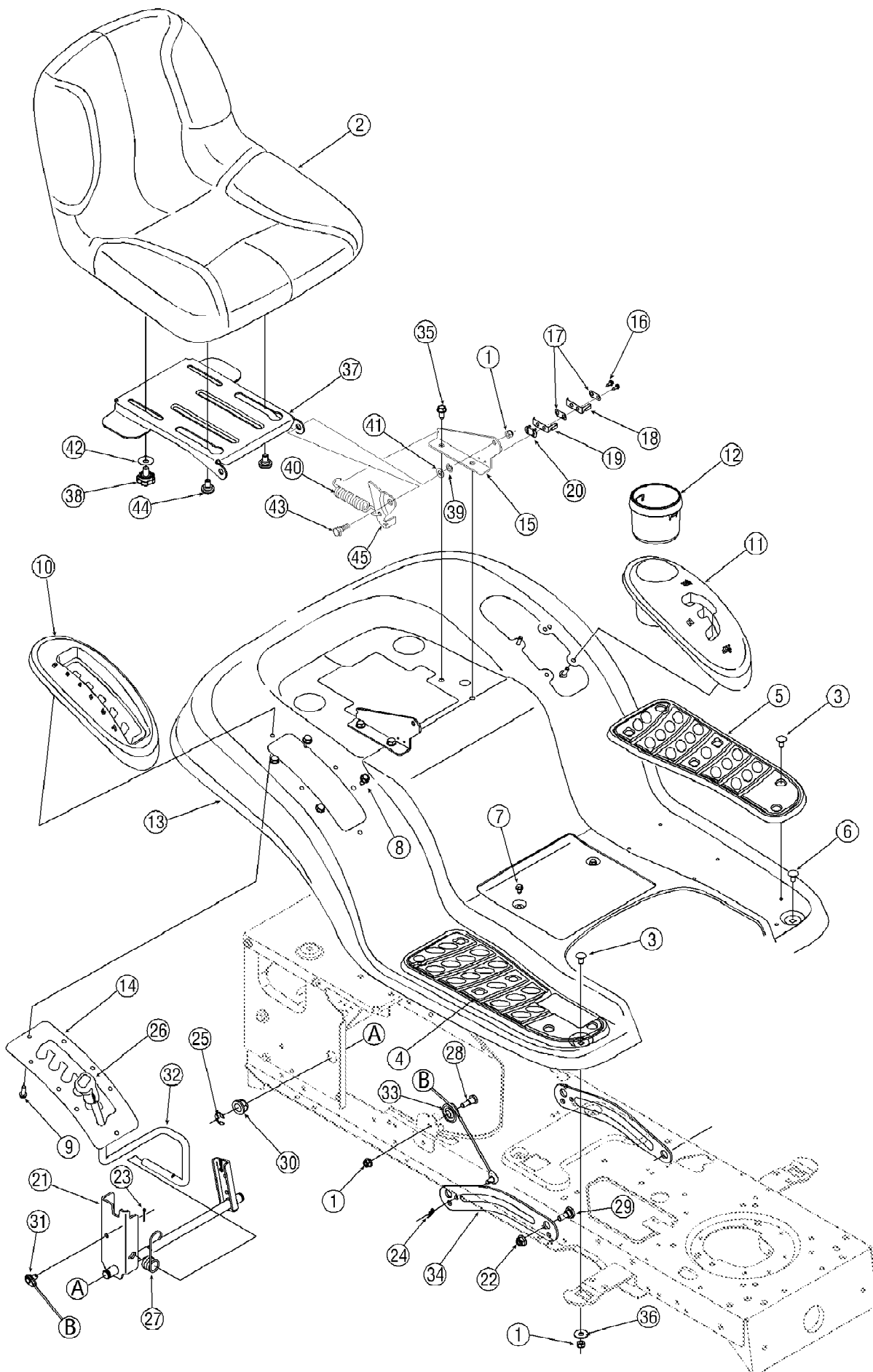
Ref #	Part Number	Qty	S/P/F	Description
54	732-0963	1		Spring, Extension,.50 OD x 6.37
55	735-0662	1		Pad
56	735-3049	1	S	Pad, Brake
57	736-0187	1	/P	Washer, Flat,.64 x 1.24 x.06, Ht
58	736-0262	1	/P	Washer, Flat,.385 x.870 x.092
59	736-0300	1	S	Washer, Flat,.406 x.875 x.059
60	736-3008	1	S	Washer, Flat,.344 x.750 x.120
61	738-0155	1	S	Screw, Shoulder.437 Dia x.162
62	738-0380	1	S	Screw, Shoulder,.50 x.27 Lg, 3/8-16
63	741-0225	1	S	Bearing, Hex Flange
64	741-3065B	1	/P	Split Bearing, Hex Flange
65	747-04093	1		Rod, Brake Lock
66	747-04096	1		Rod, Cruise Control
67	748-04039B	1	/P	Latch, Cruise Control
68	683-04186	1	S	Bracket, Lockout
69	783-0773A	1		Ped, Brake
70	783-0780B	1	/P	Bracket, Neutral Return
71	618-04034	1	S	Transmission, Single Speed
72	683-04055A	1	S	Bracket Assembly, Torque
73	683-04130	1	S	Bracket, Idler
74	710-0227	1	/P	Screw, #8-18 x.50
75	710-0514	1	/P	Screw, 3/8-16, 1.00
76	710-0604A	1	/P	Screw, 5/16-18,.625
77	710-1315	1	/P	Screw, 3/8-16, 1.250
78	712-0130	1	/P	Nut, Lock, 3/8-16, Nylon
79	725-1644	1		Switch Spring, Short
80	726-0320	1	S	Plate, Insulator
81	750-04294	1		Spacer, Shoulder
82	756-0116A	1	S	Pulley, V-Type, 3.06
83	656-04015	1	S	Pulley Assembly, Variable Speed
84	683-04129	1	S	Bracket, Pulley
85	710-0627	1	/P	Screw, 5/16-24,.750
86	710-0642	1	/P	Screw, 1/4-20,.750
87	718-04012	1	/P	Cup, Bearing
88	736-0362	1	/P	Washer, Flat
89	741-0600	1	S	Ball Bearing
90	634-0104	1		Wheel Assembly Complete, 20 x 8 x 8
	734-1730	1		Tire Only 20 x 8 x 8
	634-0070	1	/P	Rim Only w/ Valve Stem



13AJ609G766 Bronco (2005)
Engine Accessories

Page 8 of 19

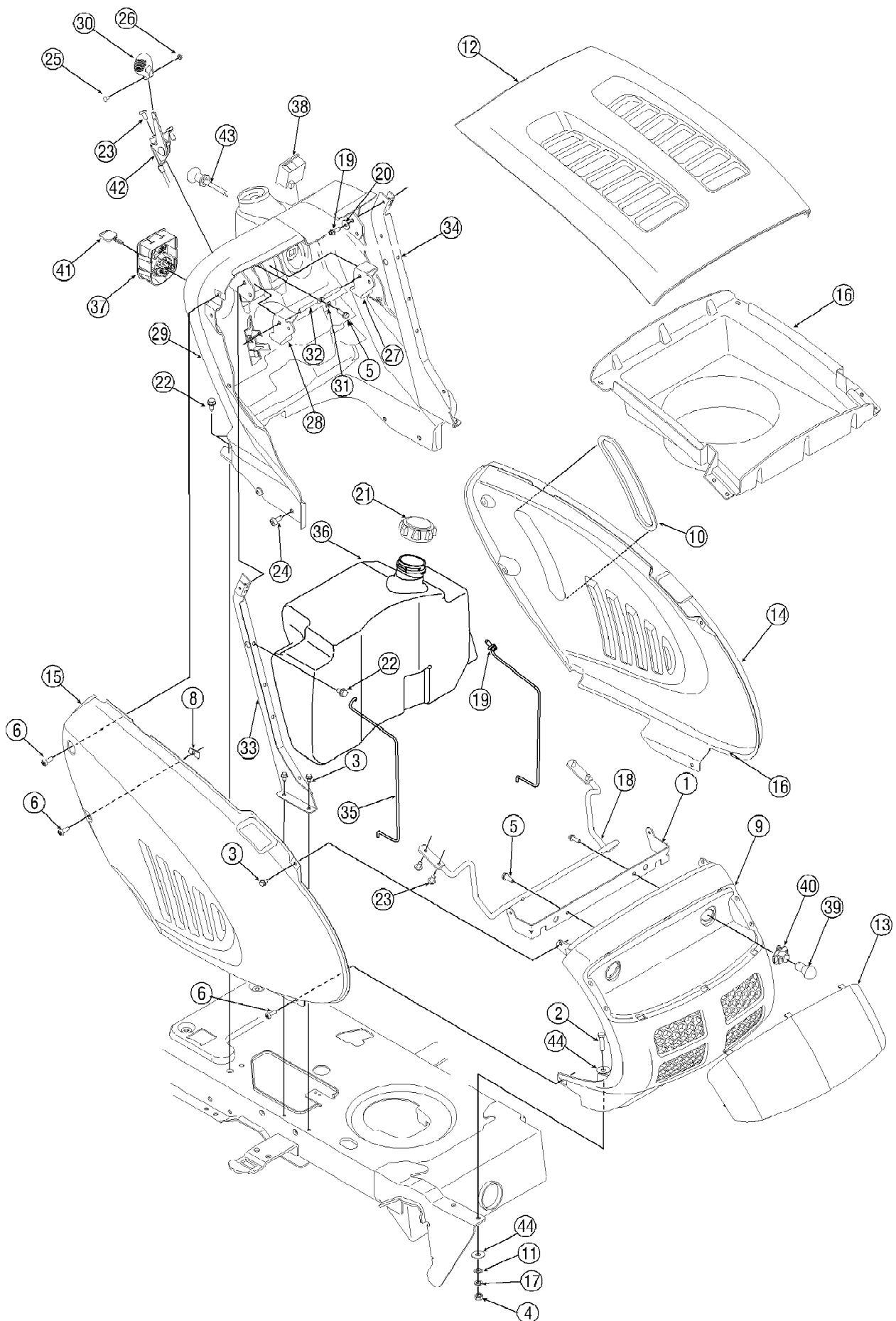
Ref #	Part Number	Qty	S/P/F	Description
1	710-0227	1	/P	AB Screw #8-18 x 0.5
2	710-0599	1	/P	TT Screw 1/4-20 x 0.5
3	710-0726	1	/P	AB Screw 5/16-12 x 0.5
4	710-1237	1		T screw #10-32 x 0.625
5	710-1314A	1	/P	Socket Hd Scr. 5/16-18 x.750
6	710-1315	1	/P	TT Screw 3/8-16 x 1.25
7	712-0271	1	/P	Sems Nut
8	721-0208	1	S	Exhaust Gasket
9	721-0331	1		Sealant: Loctite(TM)
10	725-0157	1	/P	Cable Tie
11	726-0205	1	/P	Hose Clamp
12	732-0966	1		Extension Spring
13	737-0169	1		SAE 30W Oil
14	751B213146	1	/P	Throttle Clamp
15	751-0535	1		Fuel Line Hose
16	751-0564A	1	S	Muffler Deflector
17	751-0617A	1	S	Muffler
18	751-0619A	1	/P	Exhaust Pipe
19	751-3140	1	S	Oil Drain
20	751-3141	1	S	Oil Drain Extension Hose
21	751-3142	1		Oil Drain Cap
22	783-0615D	1	S	Muffler Bracket



13AJ609G766 Bronco (2005)
Fender Assembly

Page 10 of 19

Ref #	Part Number	Qty	S/P/F	Description
1	712-04063	1	/P	Nut, Flange Lock, 5/16-18, GrF, Nylon
2	757-04009A	1	S	Medium Back Seat, Super Bronco
2	757-04001	1	S	Low Back Seat, Bronco
3	726-3046	1	/P	Ratchet Clip
4	735-0656	1		RH Foot Pad, Rubber, Super Bronco
4	735-0672	1		RH Foot Pad, Bronco
5	735-0657	1		LH Foot Pad, Rubber, Super Bronco
5	735-0673	1		LH Foot Pad, Bronco
6	710-0260A	1	/P	Bolt, Carriage, 5/16-18,.62, Gr1
7	710-0599	1	/P	Screw, 1/4-20, 0.500
8	710-0726	1	/P	Screw, 5/16-12, 0.750, Super Bronco
8	710-1611B	1	/P	Screw, 5/16-18 x.750, Bronco
9	710-0895	1		Screw, 1/4-15, 0.750, Super Bronco Only
10	731-1990	1		Cover, Lift Lever, Super Bronco Only
11	731-2104C	1	S	Cover, w/ Cup Holder, Super Bronco Only
12	731-04591A	1	/P	Cup Holder, Bronco Only
13	783-04333A	1		Fender, Super Bronco
13	783-04314A	1	/P	Fender, Bronco
14	783-0677	1	S	Deck Lift Plate, Super Bronco
14	783-1010A	1	S	Deck Lift Plate, Bronco
15	783-1489A	1	/P	Mounting Bracket, Seat
16	710-0227	1	/P	Screw, #8-18 x.50
17	726-0279	1		Plate, Insulator
18	725-1303	1	S	Spring Switch, Outer
19	725-1439	1		Spring Switch, Inner
20	726-0278	1		Plate, Insulator Boss
21	753-06260	1	/P	Shaft Assembly, Lift Replaces 683-04079
22	712-04065	1	/P	Nut, Flange Lock, 3/8-16, Gr F, Nylon
23	714-0104	1	S	Pin, Cotter,.072 Dia. X. 1.13
24	714-0111	1	S	Pin, Cotter, 3/32, 1.0
25	716-0106A	1		Ring, E Type,.625 Dia.
26	720-0311	1		Grip, Handle, 1/2
27	732-0874	1	/P	Spring, Torsion
28	738-0138A	1	/P	Screw, 5/16-18 x.620 Gr2
29	738-04130	1		Screw, Shoulder,.625 x.165, 3/8-16
30	741-0225	1	S	Bearing, Hex Flange
31	746-0968	1		Cable, Lift, 16.16
32	747-04155	1		Handle, Lift
33	756-1154	1		Pulley, Roller
34	783-04494	1		Arm, Lift - RH
34	783-04711	1		Arm, Lift - LH
35	710-0726	1	/P	Screw, 5/16-12, 0.750
36	736-3078	1	/P	Washer, Flat,.344 x 1.0 x.063
37	783-04081A	1		Seat Pivot Bracket
38	720-04009	1	S	Knob, 3/8-16
39	726-0201	1		Nut, Speed,.3125 ID
40	732-1184	1	/P	Spring, Extension,.84 Dia. x 4.6
41	736-0275	1	S	Washer, Flat,.344 x.688 x.065
42	736-0101	1	S	Washer, Flat,.406 x 1.00 x.030
43	738-0296	1	S	Screw, Shoulder,.437 x.268, 5/16-18
44	738-04012	1	S	Shoulder Screw
45	783-0209C	1	S	Seat Bracket, Lift

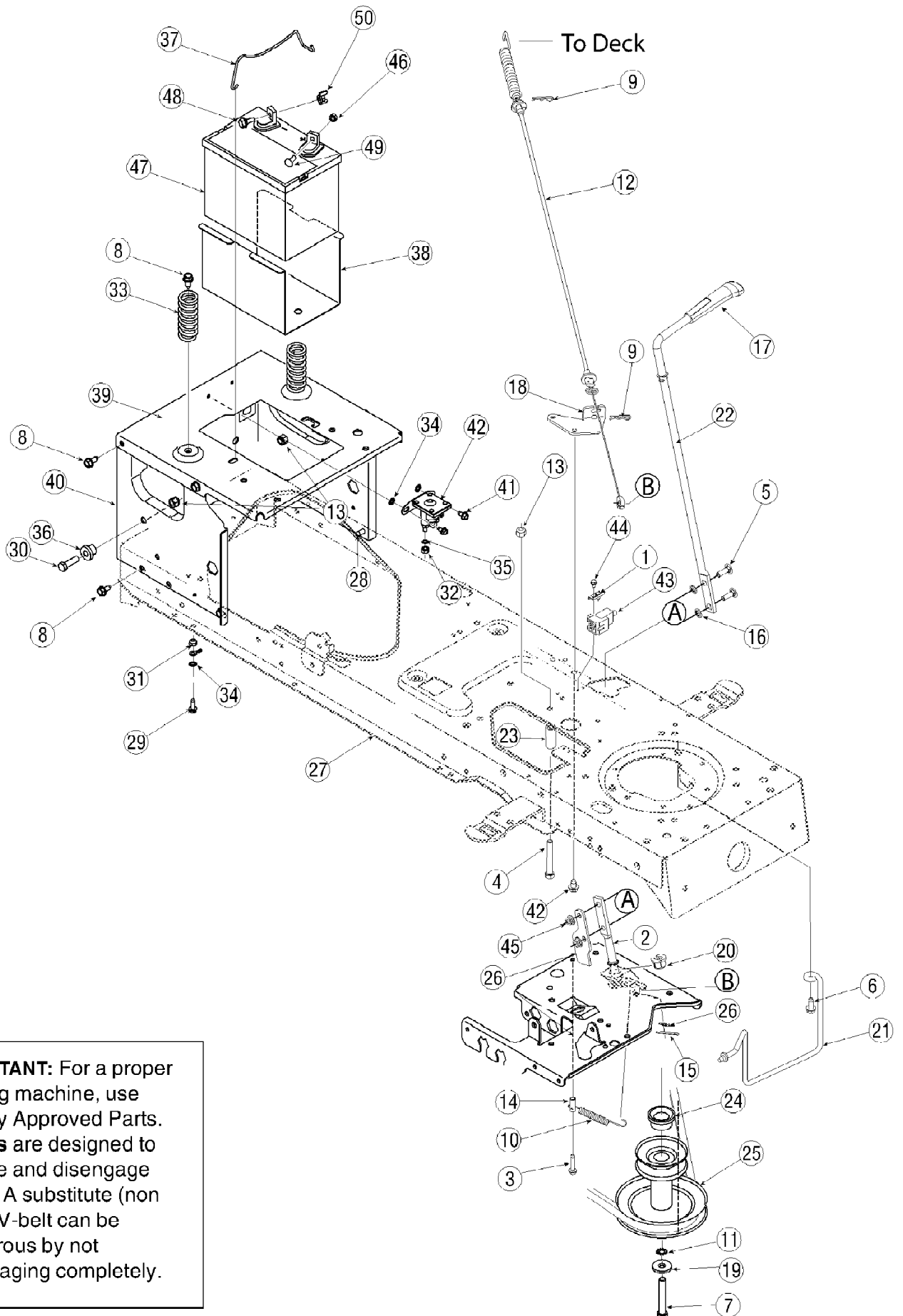


Ref #	Part Number	Qty	S/P/F	Description
1	783-1346	1	S	Bracket, Grill Support use with 731-04960
2	710-0528	1	/P	Screw, 5/16-18 x 1.25
3	710-0599	1	/P	Screw, 1/4-20, 0.500
4	712-3010	1	S	Hex Nut, 5/16-18
5	710-0895	1		Screw, 1/4-15, 0.750
6	710-0924	1	/P	Screw, Machine, 1/4-20, 0.750
7	725-0157	1	/P	Cable Tie
8	712-0292	1	/P	Nut, Clip, 1/4-20
9	731-04960	1	S	Grill, 9 Style
9	753-0895	1	/P	Grill, 9 Style, Service Kit Replaces 731-04960
9	731- 2119A	1		GRILLE, 9 STYLE Not Shown, use with 753-0895
9	783-1346A	1	S	GRILLE, SUPPORT BRACKET Not Shown, use with 753-0895
9	777X40317	1		LABEL, REFLECTIVE, HEADLIGHT Not Shown, use with 753-0895
9	731-2118A	1	/P	LENS Not Shown, use with 753-0895
9	710-0895	2		SCREW:HL:1/4-15 X .75 Not Shown, use with 753-0895
9	710-0642	2	/P	SCREW: TAPPING:1/4-20 X .75 Not Shown, use with 753-0895
9	710-0528	2	/P	SCREW:5/16-18 X 1.25": GR5 Not Shown, use with 753-0895
9	736-3078	4	/P	WASHER:FLAT: .344 X 1.0 X .063:HT Not Shown, use with 753-0895
9	736-0119	2	S	WASHER: SPLIT LOCK: 5/16 Not Shown, use with 753-0895
9	712-3010	2	S	NUT:HEX: 5/16-18: GR5 Not Shown, use with 753-0895
9	712-0292	2	/P	NUT: TINN CLIP:1/4-20 Not Shown, use with 753-0895
10	735-04019	1	S	Panel Seal
11	726-0201	1		Nut, Speed,.3125 ID
12	783-0783	1	S	Hood
13	731-2637	1	S	Lens use with 731-04960
14	783-04200	1		Side Panel, LH
15	783-0784A	1		Side Panel, RH
16	731-2269A	1		Plenum, Bronco (Model J609)
16	731-2270A	1	/P	Plenum, Super Bronco (Model T609)
17	736-0119	1	S	Washer, Lock, 5/16
18	747-2138	1	/P	Hinge Rod
19	710-0642	1	/P	Screw, 1/4-20 x.75
20	736-0270	1	/P	Washer, Bell,.265 x.75 x.062
21	751-0603	1	S	Fuel Cap
22	710-0726	1	/P	Screw, 5/16-12, 0.750
23	710-1017	1	/P	Screw, 1/4-14, 0.625
24	710-1611B	1	/P	Screw, 5/16-18, 0.750

13AJ609G766 Bronco (2005)
Hood Assembly

Page 13 of 19

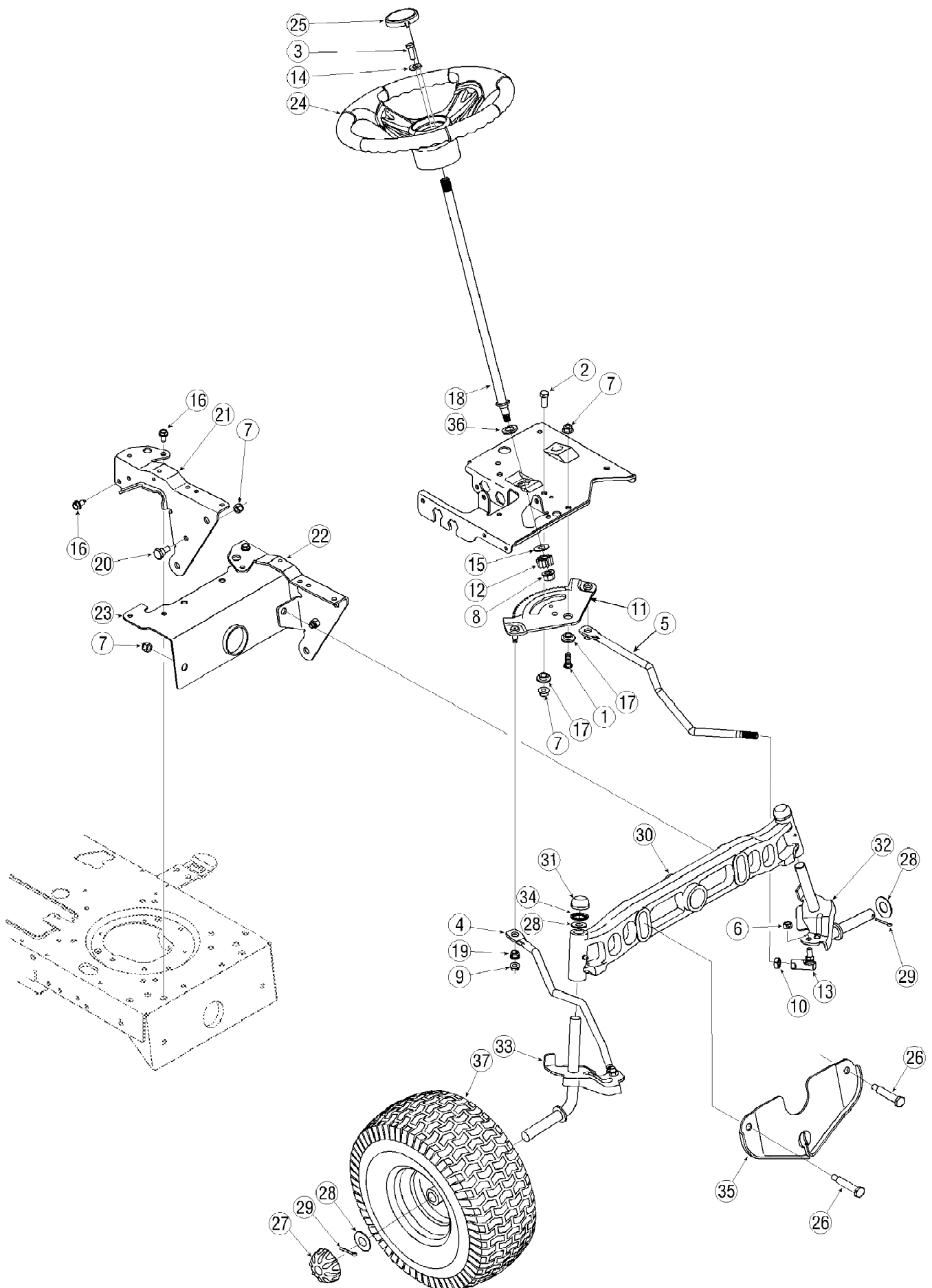
Ref #	Part Number	Qty	S/P/F	Description
25	710-3217	1	/P	Screw, Machine, #8-32, 0.375
26	712-0142	1	/P	Nut, Hex, #8-32
27	731-04728	1		Brake Lever
28	731-04729	1		Cruise Control Lever
29	731-05001	1	S	Dash Panel
30	731-1857	1		Control Knob
31	736-0142	1	S	Washer, Flat, .281 x.50 x.063
32	747-1196	1		Rod, Brake / Cruise Pivot
33	783-04285A	1	S	Support Plate, Dash, RH
34	783-04323A	1	S	Support Plate, Dash, LH
35	747-04158	1		Fuel Tank Support - RH
35	747-04161	1		Fuel Tank Support - LH
36	751-3213A	1	S	Fuel Tank, 3 Gal.
37	725-04227	1	S	Ignition Switch Module
38	725-04156	1	S	Ammeter
39	725-0963	1	S	Miniature Lamp, 12V
40	725-1649	1	S	Socket, Lamp
41	725-1744	1	S	Key, Ignition
41	725-1745	1	S	Key w/ Plastic Cover, Ignition
42	746-1086	1	S	Throttle Cable, 39", Super Bronco
42	746-1084	1	S	Throttle/Choke Cable, Bronco
43	746-04132	1	S	Choke Knob w/ Cable, 37.5" Super Bronco
44	736-3078	1	/P	Washer, Flat, .344 x 1.0 x.063
	731-1999	1		Choke Plug, Bronco Not Shown
	629-04083	1	S	Headlight Wire Harness Not Shown
	629-04103	1		Tractor Wire Harness Not Shown
	629-04144	1		Jumper Wire Harness Not Shown



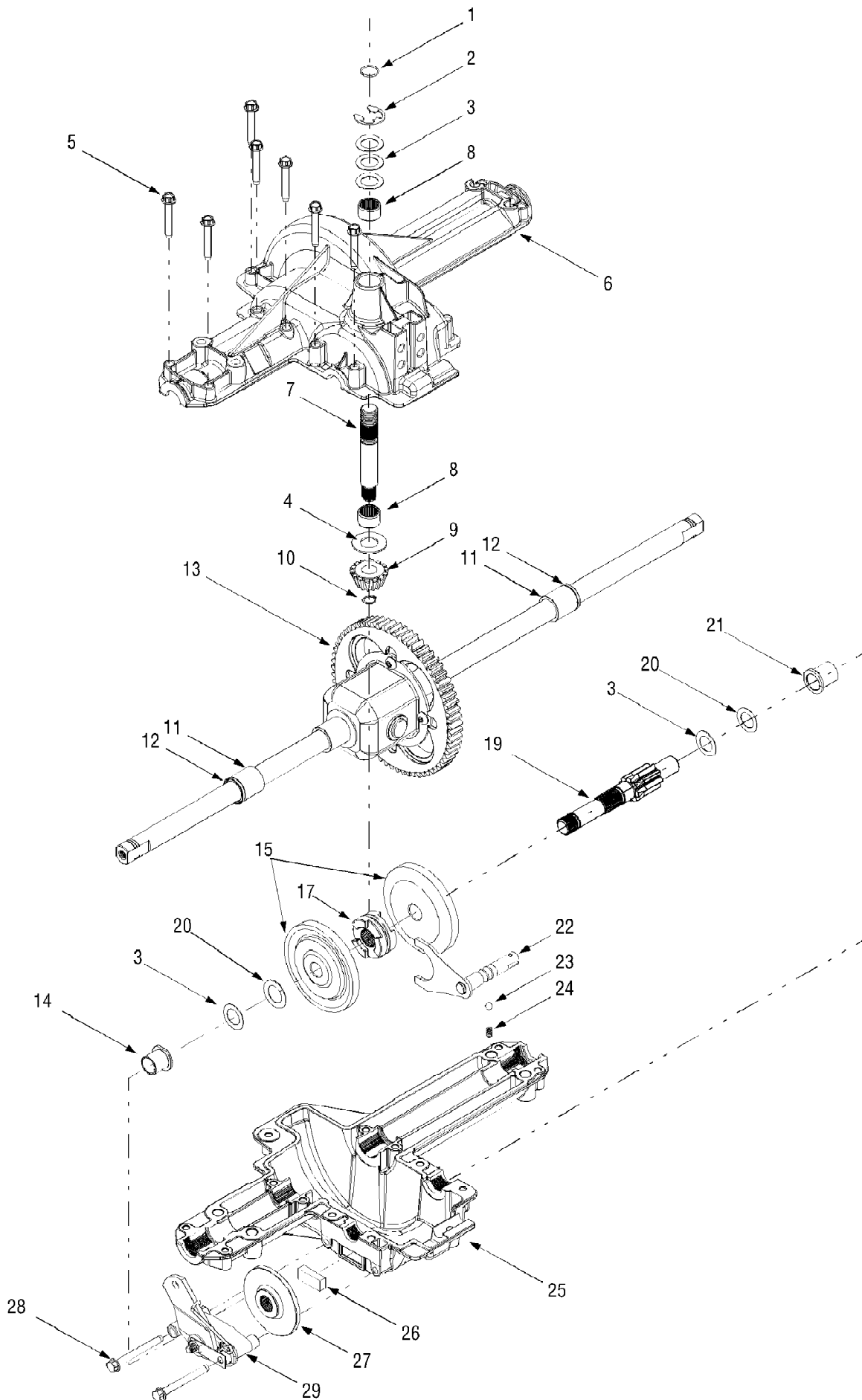
IMPORTANT: For a proper working machine, use Factory Approved Parts. **V-belts** are designed to engage and disengage safely. A substitute (non OEM) V-belt can be dangerous by not disengaging completely.

Ref #	Part Number	Qty	S/P/F	Description
1	17962	1		Plate, Switch
2	647-04036	1	S	Lever Assembly, Engagement
3	710-0809	1		Screw, 1/4-20 x 1.250
4	710-0859	1	/P	Screw, 3/8-16, 2.50
5	710-0276	1	/P	Screw, Carriage, 5/16-18, 1.00
6	710-1260A	1	/P	Screw, 5/16-18 x.750
7	710-3157A	1	/P	Screw, 7/16-20, 3.25, Gr5
8	710-0726	1	/P	Screw, 5/16-12, 0.750
9	714-0145	1	S	Click Pin
10	732-04248	1		Extension Spring,.38OD x 3.9LG
11	736-0171	1	S	Lock Washer, 7/16
12	746-04092	1	S	Deck Engagement Cable
13	712-04065	1	/P	Nut, Flange Lock, 3/8-16, Gr F, Nylon
14	750-0566A	1	/P	Spacer,.260 x.372 x 1.030LG
15	714-0470	1	S	Pin, Cotter, 1/8 x 1.25
16	726-0201	1		Nut, Speed,.3125 ID
17	731-2111A	1	S	Knob, PTO
18	783-04590	1	S	Cable Bracket
19	736-0322	1	/P	Washer, Flat,.450 x1.250 x.164
20	741-0708	1		Bearing, Flange, Hex Split.500 ID
21	747-04307	1	S	Keeper Rod, Belt
22	747-1112D	1	S	Engagement Handle, Deck
23	748-0415B	1	/P	Spacer,.385 ID x.635 OD x 1.54
24	750-0956	1		Spacer, 1.010 x 1.400 x.825
25	756-04064A	1	S	Pulley, Engine, 3.39 x 6.12 Diameter
26	783-0744A	1		Stop Bracket, Engagement
27	683-04173	1	S	Frame Assembly, Lower
28	710-0607	1	/P	Screw, 5/16-18, 0.500
29	710-0642	1	/P	Screw, 1/4-20, 0.750
30	710-3005	1	/P	Screw, 3/8-16, 1.25, Gr5
31	712-04064	1	/P	Nut, Flange Lock, 1/4-20, Gr F, Nylon
32	712-3006	1	/P	Nut, Hex, 1/4-20, Gr5
33	732-04035	1		Spring, Compression, 1.28 OD x 3.125
34	736-0222	1	S	Washer, Lock, 1/4, External
35	736-0329	1	S	Washer, Lock, 1/4
36	738-04058	1		Spacer, Shoulder,.38 x 1.0 x.70
37	747-04121A	1		Hold Rod, Battery
38	783-0349	1		Battery Tray
39	783-04329A	1		Seat Bracket, Frame
40	783-04375A	1	S	Frame, Upper
41	710-0599	1	/P	Screw, 1/4-20, 0.50
42	725-1426	1	S	Solenoid, 12V, 100 Amp
43	725-04039	1	S	Switch, Interlock
44	710-0224	1	S	Screw, #10-16,.50
45	712-04063	1	/P	Nut, Flange, Lock Nut, 5/16-18
46	712-0271	1	/P	Nut, Sems, 1/4-20
47	725-1750A	1	S	Battery, 235 CCA, Super Bronco
	725-1737A	1	S	Battery, 190 CCA, Bronco
48	738-1132	1		Screw, Shoulder,.250 x.15, 1/4-20
49	710-0703	1	/P	Screw, Carriage, 1/4-20,.75
50	712-3087	1	/P	Nut, Wing, 1/4-20

13AJ609G766 Bronco (2005)
Steering



Ref #	Part Number	Qty	S/P/F	Description
1	710-04095	1		Hex Screw, 3/8-16, 1.00, Gr5
2	710-0514	1	/P	Hex Screw, 3/8-16, 1.00, Gr5
3	710-0643	1	/P	Hex Screw, 5/16-18, 1.00, Gr5
4	711-1408	1		Link, Drag, RH
5	711-1409A	1	/P	Link, Drag, LH
6	712-0214	1	S	Nut, Hex Lock, 3/8-24
7	712-04065	1	/P	Nut, Flange Lock, 3/8-16, Grf, Nylon
8	712-0459	1	/P	Nut, Flange Lock, 7/16-20
9	712-3004A	1	/P	Nut, Flange Lock, 5/16-18, Gr5
10	712-0240	1	S	Nut, Jam, 7/16-20, Gr2
11	717-1550E	1	S	Gear, Steering, 11/90 Ratio
12	717-1554	1		Gear, Pinion, Steering
13	723-0448A	1	S	Ball Joint, 7/16-20, Lock
14	736-3004	1	S	Washer, Flat,.406 x.875 x.105
15	736-3084	1	/P	Washer, Flat,.51 x 1.12 x.06
16	710-0726	1	/P	Screw, 5/16-12, 0.750
17	738-04154	1		Spacer, Shoulder,.38 x 1.00 x.31
18	738-1001A	1	/P	Shaft, Steering,.625 OD x 24.25 Lg
19	741-0475	1	S	Plastic Bushing.380 ID
20	738-0143	1	/P	Screw, Shoulder,.498 x.340, 3/8-16
21	783-0726D	1	/P	Pivot Bracket, Support RH
22	783-0727C	1	/P	Pivot Bracket, Support LH
23	783-0728	1		Pivot Bracket, Bar
24	631-04008	1	S	Steering Wheel, 3 Spoke, Soft Grip
24	631-04028	1		Steering Wheel, 3 Spoke, Standard Grip
25	731-04681	1		Steering Wheel Cap
26	738-04128	1		Shoulder Screw,.5 x 2.380, 3/8-16
27	731-2290A	1	/P	Deluxe Hub Cap
28	736-0316	1	S	Flat Washer,.78 x 1.589 x.06
29	714-04039	1		Cotter Pin, 5/32 x 1.25
30	719-04105	1	/P	Cast Iron Pivot Bar
31	731-04693	1		Hub Cap
32	638-04006	1	S	LH Axle Assembly,.750
33	638-04005	1	S	RH Axle Assembly,.750
34	726-04035	1		Push Nut
35	783-04568	1		Deck Hanger Bracket, Front
36	741-0656A	1	S	Hex Flange Bearing
37	634-04086	1		Wheel Assembly Complete, 15 x 6
	734-1731	1		Tire Only 15 x 6 x 6
	634-04081	1	S	Rim Only w/ Valve Stem



13AJ609G766 Bronco (2005)
Transmission Assembly

Page 19 of 19

Ref #	Part Number	Qty	S/P/F	Description
1	732-0614	1		Ring, Wire
2	716-0231	1	S	Ring, E Type,.750
3	736-0336	1	S	Flat Washer, 5/8 x 1.0 x.030 Use applicable washers (ref. no.'s 3 or 20) in this application allowing.0150/.0020 in. end-play.
	736-0337	1	S	Flat Washer, 5/8 x 1.0 x.040 Use applicable washers (ref. no.'s 3 or 20) in this application allowing.0150/.0020 in. end-play.
	736-0349	1	S	Flat Washer, 5/8 x 1.0 x.020 Use applicable washers (ref. no.'s 3 or 20) in this application allowing.0150/.0020 in. end-play.
4	736-0335	1	S	Washer, Thrust.635 x 1.26 x.06
5	710-1325	1	/P	Self-tapping Screw, 1/4-20 x 1.625
6	719-04017	1	S	Upper Housing
7	711-1109	1		Input Shaft
8	741-0335	1	S	Needle Bearing,.625 x.813 x.495
9	717-1464	1		14-tooth Bevel Pinion
10	716-0108	1	S	Retaining Ring,.437
11	741-0340	1	S	Sleeve Bearing,.75 x 1.0 x 1.0
12	721-0338	1	S	Seal,.75 x 1.0 x.125
13	618-04041	1	S	Differential Assembly
14	741-0336	1	S	Flange Bearing, 5/8 x 3/4 x 3/4
15	717-04056	1	S	42-tooth Bevel Gear
17	718-04045	1	S	Clutch Collar
19	711-04134	1	S	Drive Shaft
20	736-0495	1	S	Thrust Washer, 1.0 x.632 x.0 Use applicable washers (ref. no.'s 3 or 20) in this application allowing.0150/.0020 in. end-play.
	736-0494	1		Flat Washer,.632 x 1.00 x.035 Use applicable washers (ref. no.'s 3 or 20) in this application allowing.0150/.0020 in. end-play.
21	741-0337	1	S	Flange Bearing, 5/8 x 3/4 x 15/16
22	611-0011	1	S	Detent Shaft Assembly
23	741-0862	1	/P	Detent Ball
24	732-0863	1	S	Compression Spring
25	719-04018	1	S	Lower Housing
26	717-0678	1	S	Brake Puck
27	761-0202	1		Brake Disc
28	710-1206	1	/P	Self-tapping Screw, 1/4-20 x 2.375
29	661-0001	1	S	Brake Assembly
	737-0148	1	S	Grease (19 oz.)