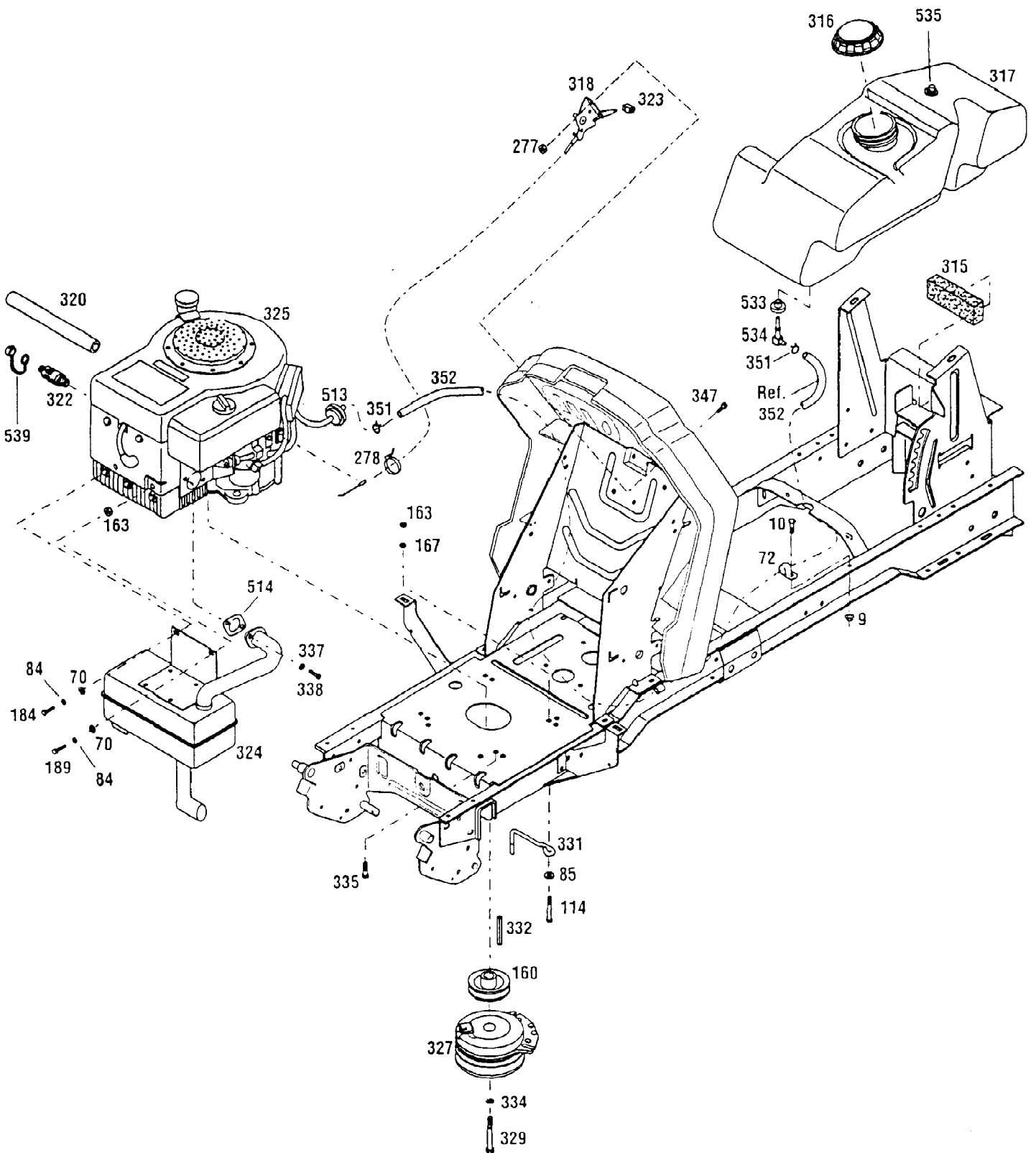


13A-130F063 13HP Gear Drive LTX Tractor
13 HP Engine Assembly

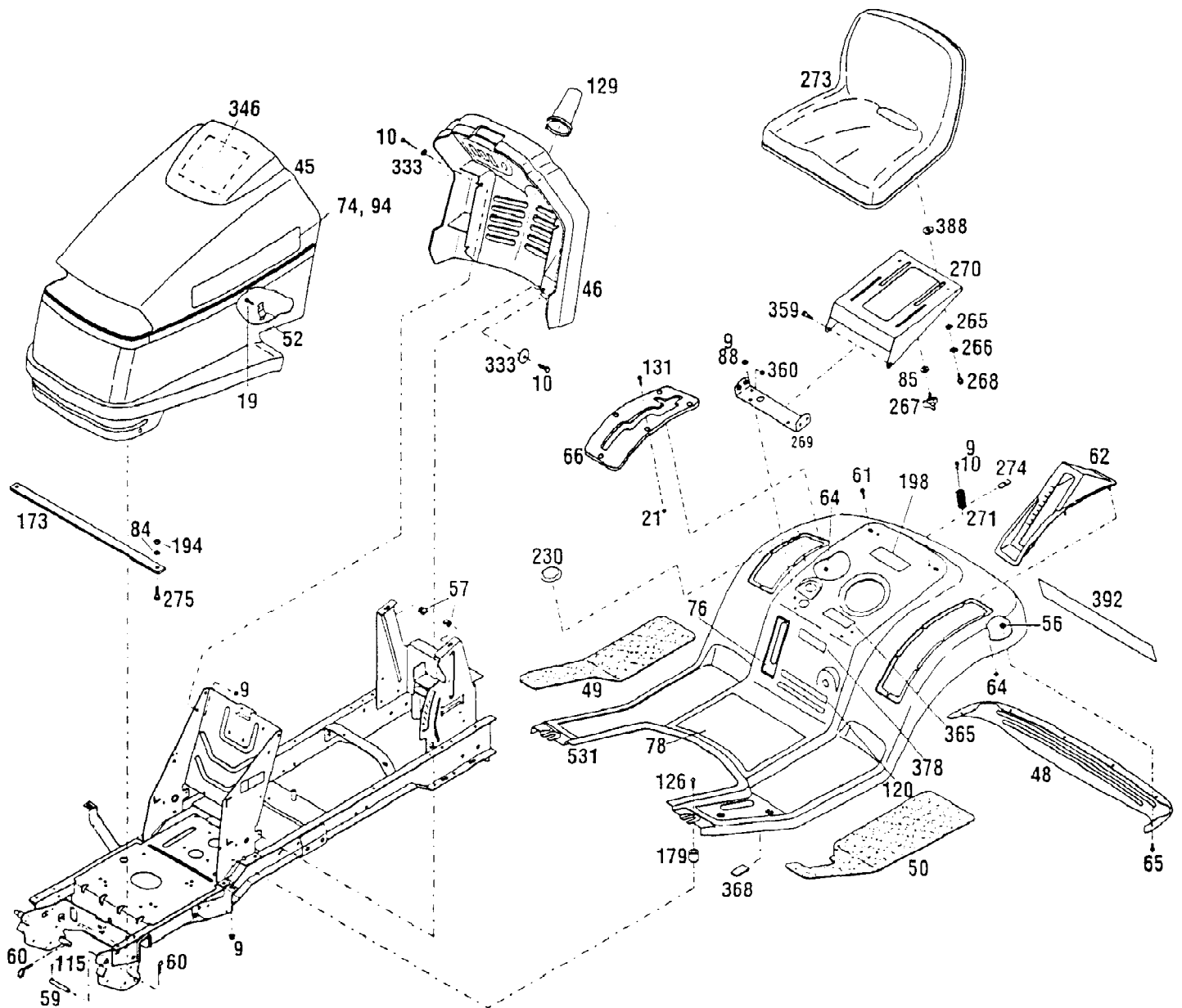


13A-130F063 13HP Gear Drive LTX Tractor
13 HP Engine Assembly

Page 2 of 20

| Ref # | Part Number | Qty | S/P/F | Description |
|-------|-------------|-----|-------|--|
| 9 | 1186391 | 1 | S | Flange Nut, 5/16-18 |
| 10 | 1100044 | 1 | S | Hex Head Screw, 5/16-18 x 3/4 |
| 70 | 1107381 | 2 | S | Flat Washer, 1/4 |
| 72 | 1807450 | 1 | | Clip |
| 84 | 1100241 | 2 | S | Lock Washer, 1/4 SAE |
| 85 | 1107383 | 1 | S | Flat Washer, 3/8 |
| 114 | 1768194 | 2 | S | Hex Head Screw, 3/8-16 x 1-1/2 |
| 160 | 1766200 | 1 | /P | Engine Sheave |
| 163 | 1186231 | 2 | S | Nut, 3/8-16 |
| 167 | 1100243 | 1 | S | Lock Washer, 3/8 |
| 184 | 1111600 | 1 | S | Hex Head Screw, 1/4-20 x 7/8 |
| 189 | 1100806 | 1 | S | Hex Head Screw, 1/4-20 x 1-1/4 |
| 277 | 1185985 | 2 | S | Keps Nut, 10-24 |
| 278 | 1735531 | 1 | S | Cable Tie |
| 315 | 1766341 | 1 | | Fuel Tank Pad |
| 316 | 1766188 | 1 | /P | Fuel Cap |
| 317 | 1772814 | 1 | /P | Fuel Tank (Incl. Refs. 533, 534 & 535) |
| 318 | 1772884 | 1 | | Throttle Control |
| 320 | 1769006 | 1 | S | Oil Drain Hose |
| 322 | 1768865 | 1 | S | Oil Valve Assembly (Incl. Ref. 539) |
| 323 | 1766121 | 1 | /P | Control Knob |
| 324 | 1772810 | 1 | /P | Muffler |
| 325 | | 1 | | Engine, 13 HP (engine part) |
| 327 | 1772388 | 1 | S | Electric Clutch |
| 328 | 1744455 | 1 | /P | Special Washer |
| 329 | 1744454 | 1 | S | Hex Head Cap screw, 7/16-20 x 3 |
| 331 | 1772385 | 1 | /P | Clutch Retainer |
| 332 | 1104337 | 1 | S | Square Key, 1/4 x 1-1/2 |
| 334 | 1100244 | 1 | S | Spring Lock Washer, 7/16 |
| 335 | 1762042 | 2 | | Screw, 3/8-16 x 1 |
| 337 | 1185140 | 2 | S | Special Lock Washer, 5/16 |
| 338 | 1747993 | 2 | S | Screw, 5/16-18 x 3/4 |
| 347 | 1773576 | 2 | | Machine Screw, 10-24 x 3/4 |
| 351 | 1750687 | 2 | S | Hose Clamp |
| 352 | 1767879 | 1 | | Fuel Line |
| 513 | 1727491 | 1 | S | Fuel Filter |
| 514 | 721-0208 | 1 | S | Muffler Gasket |
| 533 | 1738433 | 1 | S | Bushing |
| 534 | 1751477 | 1 | S | Fuel Tank Elbow |
| 535 | 1768804 | 1 | S | Fuel Tank Vent |
| 539 | 1766326 | 1 | | Oil Drain Cap |

13A-130F063 13HP Gear Drive LTX Tractor
Body & Trim Assembly



13A-130F063 13HP Gear Drive LTX Tractor
Body & Trim Assembly

Page 4 of 20

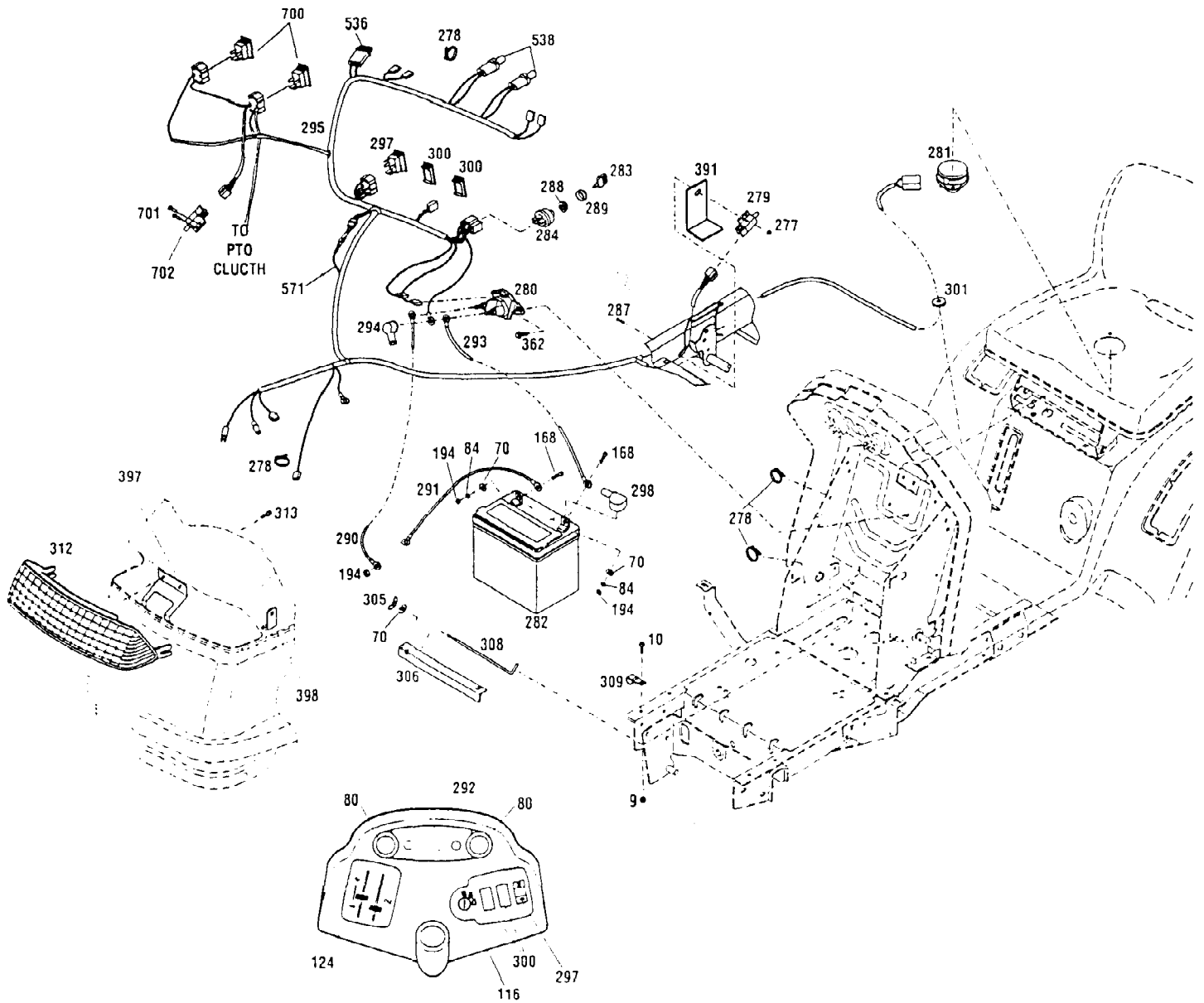
| Ref # | Part Number | Qty | S/P/F | Description |
|-------|-------------|-----|-------|----------------------------------|
| ?1 | 1771825001 | 1 | S | Frame |
| 9 | 1186391 | 12 | S | Flange Nut, 5/16-18 |
| 10 | 1100044 | 6 | S | Hex Head Capscrew, 5/16-18 x 3/4 |
| 19 | 1772878 | 4 | | Self Threading Screw, #10 |
| 21 | 1817146 | 5 | S | Nylon Locknut 1/4-20 |
| 45 | 1765382 | 1 | | Hood |
| 46 | 1772896 | 1 | | Console |
| 48 | 1765331010 | 1 | | Rear Fender Trim |
| 49 | 1772846 | 1 | | Right Foot Pad 1 |
| 50 | 1772845 | 1 | /P | Left Foot Pad |
| 52 | 1773591 | 2 | | Latch |
| 56 | 1186389 | 6 | /P | Flange Nut, 1/4-20 |
| 57 | 1761680 | 2 | S | Self-Retaining Nut, 5/16-18 |
| 59 | 1773226 | 1 | /P | Hood Pivot Pin 1 |
| 60 | 1723478 | 3 | /P | Cotter Spring, 1/8 |
| 61 | 1186330 | 2 | S | Screw, 5/16-18 x 7/8 |
| 62 | 1772979 | 1 | /P | Lift Handle Cover |
| ?63 | 1901900 | 1 | /P | Decal, American Legend 1 |
| 64 | 1750532 | 7 | S | Self-Threading Nut, 1/4 |
| 65 | 1186309 | 6 | /P | Flange Screw, 1/4-20 x 1/2 |
| 66 | 1772881 | 1 | | Quadrant |
| 74 | 1773163 | 2 | | Decal, Logo |
| 76 | 1773205 | 1 | | Decal, Fuel Level |
| 78 | 1772965 | 1 | | Decal, Tunnel |
| 84 | 1100241 | 2 | S | Lock Washer, 1/4 |
| 85 | 1107383 | 2 | S | Flat Washer, 3/8 |
| 88 | 1186097 | 4 | S | Carriage Bolt, 5/16-18 x 5/8 |
| 94 | 1773162 | 1 | | Decal, Logo, Right |
| 115 | 1120210 | 1 | | Drive Pin, 3/16 x 1 |
| 120 | 1773223 | 1 | | Decal, Height Indicator |
| 126 | 1186469 | 2 | S | Carriage Bolt, 5/16-18 x 3/4 |
| 129 | 1773236 | 1 | | Steering Cover |
| 131 | 1772882 | 5 | S | Screw, 1/4-20 x 5/8 |
| 173 | 1773623001 | 1 | | Hood Strap |
| 179 | 1730681 | 2 | /P | Spacer |
| 194 | 1186229 | 2 | S | Nut, 1/4-20 |
| 198 | 1767876 | 1 | | Decal, Fuel |
| 230 | 1768787 | 1 | | Plug |
| 265 | 1705793 | 2 | | Nylon Washer, 3/8 |
| 266 | 1706782 | 2 | /P | Bowed Washer, 3/8 |
| 267 | 1734269 | 2 | | Adjusting Knob |
| 268 | 1754125 | 2 | /P | Shoulder Bolt, 3/8-16 |
| 269 | 1766075001 | 1 | | Seat Bracket |
| 270 | 1766074001 | 1 | /P | Seat Support |
| 271 | 1766077 | 1 | /P | Compression Spring 2 |
| 273 | 1770235 | 1 | | Seat |
| 274 | 1766347 | 2 | /P | Spring Hold-Down Bracket |
| 275 | 1111599 | 2 | S | Screw, 1/4-20 x 5/8 |
| 333 | 1723384 | 4 | S | Flat Washer 5/16 x 1-1/2 |
| 346 | 1773105 | 1 | | Decal, Service |
| 359 | 1100913 | 2 | S | Hex Head Cap screw, 3/8-16 x 7/8 |
| 360 | 1110108 | 2 | S | Locknut, 3/8-16 |
| 365 | | 1 | | UNKNOWN |

13A-130F063 13HP Gear Drive LTX Tractor
Body & Trim Assembly

Page 5 of 20

| Ref # | Part Number | Qty | S/P/F | Description |
|-------|-------------|-----|-------|--|
| 368 | 1767995 | 1 | | Pad |
| 378 | | 1 | | UNKNOWN |
| 392 | 1772261 | 1 | | Decal, Model |
| 388 | 1893445 | 2 | S | Flat Washer |
| 531 | 1772963010 | 1 | | Rear Fender (Incl. Refs. 63, 78 & 198) |
| 600 | 1735222 | 1 | /P | Black Spray Touch-up Paint, 13 oz. Not included with unit; order separately. |
| 601 | 1900706 | 1 | S | Red Spray Touch-up Paint, 13 oz. Not included with unit; order separately. |

13A-130F063 13HP Gear Drive LTX Tractor
Electrical Assembly

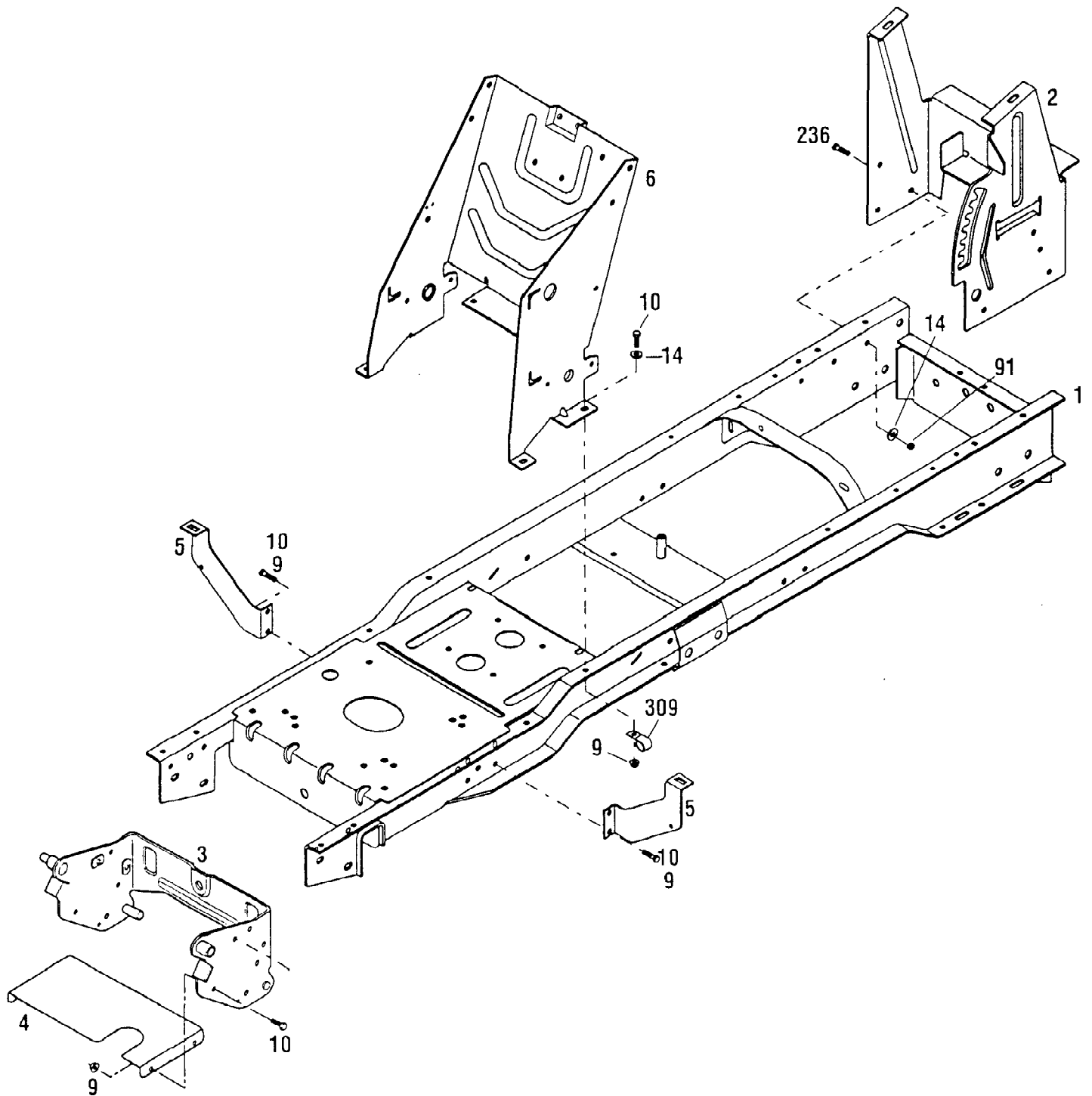


13A-130F063 13HP Gear Drive LTX Tractor
Electrical Assembly

Page 7 of 20

| Ref # | Part Number | Qty | S/P/F | Description |
|-------|-------------|-----|-------|-------------------------------|
| 9 | 1186391 | 1 | S | Flange Nut, 5/16-18 |
| 10 | 1100044 | 1 | S | Hex Head Screw, 5/16-18 x 3/4 |
| 70 | 1107381 | 6 | S | Flat Washer, 1/4 |
| 80 | 1772950 | 2 | | Cap |
| 84 | 1100241 | 2 | S | Lock Washer, 1/4 SAE |
| 116 | 1772916 | 1 | | Ignition Decal |
| 124 | 1772915 | 1 | | Control Decal |
| 168 | 1100805 | 2 | S | Screw, 1/4-20 x 3/4 |
| 194 | 1186229 | 3 | S | Nut, 1/4-20 |
| 277 | 1185985 | 2 | S | Keps Nut, #10-24 |
| 278 | 1735531 | 4 | S | Cable Tie |
| 279 | 1751328 | 1 | S | Clutch/Brake Interlock Switch |
| 280 | 1752137 | 1 | S | Solenoid |
| 281 | 1768882 | 1 | /P | Seat Switch |
| 282 | 725-1737 | 1 | S | Battery (Service only) |
| 283 | 1753986 | 1 | /P | Key |
| 284 | 1754250 | 1 | S | Ignition Switch |
| 287 | 1758070 | 2 | S | Sems Screw, #10-24 x 5/8 |
| 288 | 1758146 | 1 | S | Ignition Switch Mounting Nut |
| 289 | 1758147 | 1 | S | Cap |
| 290 | 1764898 | 1 | S | Starter Cable |
| 291 | 1764886 | 1 | | Negative Battery Cable |
| 292 | 1772917 | 1 | | Warning Lens |
| 293 | 1764888 | 1 | | Positive Battery Cable |
| 294 | 1764890 | 1 | | Solenoid Boot |
| 295 | 1773041 | 1 | | Main Harness |
| 297 | 1771865 | 1 | /P | PTO Switch |
| 298 | 1764899 | 1 | | Terminal Boot |
| 300 | 1766184 | 2 | | Switch Cover |
| 301 | 1772922 | 1 | | Grommet |
| 305 | 1709652 | 1 | | Wing Locknut, 1/4-20 |
| 306 | 1765258001 | 1 | S | Battery Clamp |
| 308 | 1766163 | 1 | S | Hook Bolt |
| 309 | 1747738 | 1 | /P | J-Clamp |
| 312 | 1765400 | 1 | /P | Lens |
| 313 | 1185712 | 2 | | Self-Threading Screw |
| 362 | 1724492 | 2 | | Screw, 1/4-20 x 1/2 |
| 391 | 1772387 | 1 | | Switch Bracket |
| 397 | 1772889 | 1 | /P | Lens Retainer |
| 398 | 1772906 | 2 | | Retaining Clip |
| 536 | 1768969 | 1 | S | Fuse, 20 Amp |
| 538 | 1764897 | 2 | S | Panel Light Bulb |
| 571 | 1755738 | 1 | /P | Diode |
| 700 | 725-1648 | 2 | S | Relay |
| 701 | 710-1003 | 2 | /P | Screw |
| 702 | 725-1657A | 1 | S | Safety switch |
| 703 | 721-0342 | 2 | S | Relay Gasket (Not Shown) |

13A-130F063 13HP Gear Drive LTX Tractor
Frame Assembly

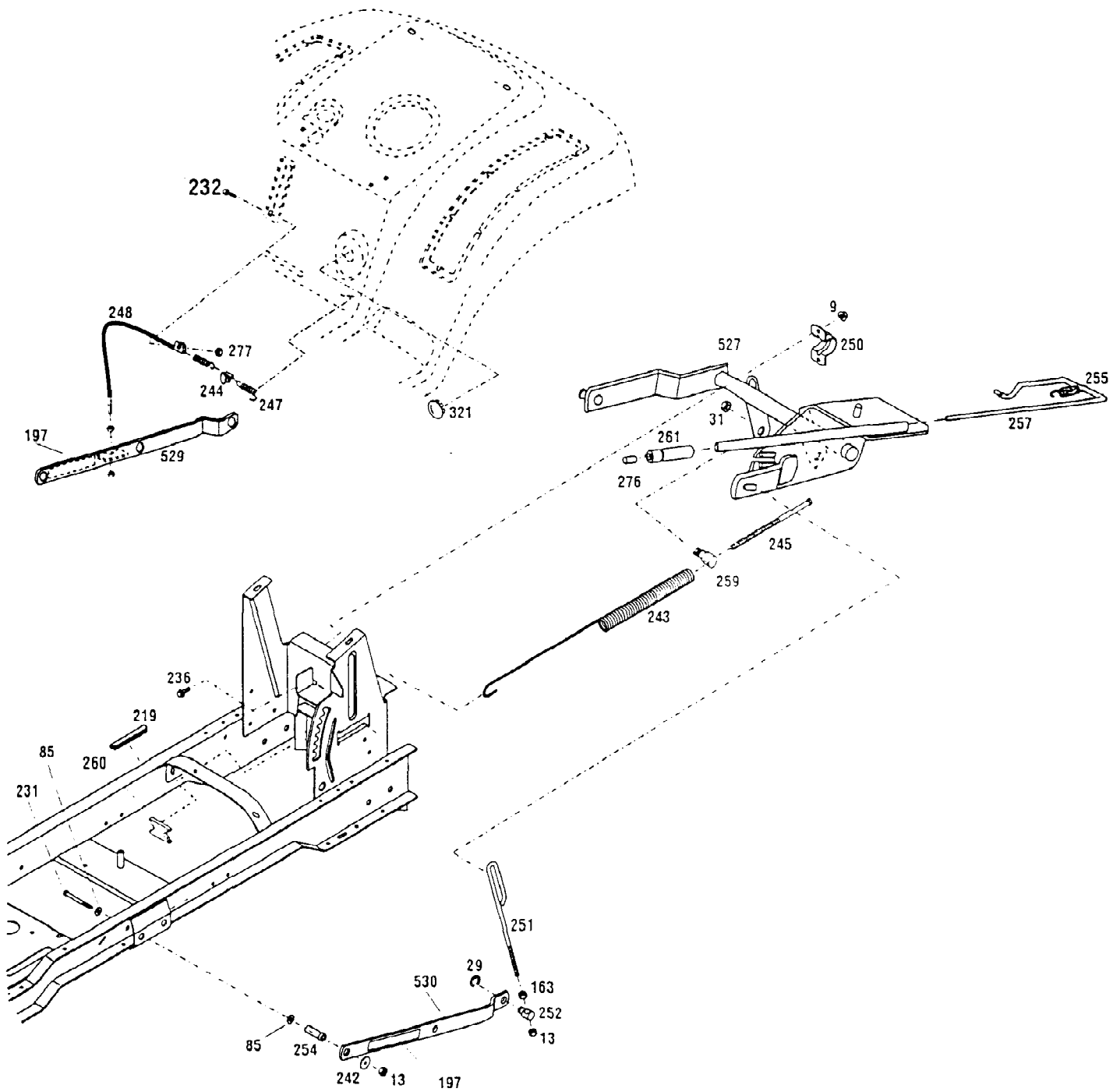


13A-130F063 13HP Gear Drive LTX Tractor
Frame Assembly

Page 9 of 20

| Ref # | Part Number | Qty | S/P/F | Description |
|-------|-------------|-----|-------|----------------------------------|
| 1 | 1772924001 | 1 | /P | Frame |
| 2 | 703-3308 | 1 | | Rear Tank Support |
| 3 | 1772809001 | 1 | | Attachment Bracket Assembly |
| 4 | 1772807001 | 1 | | Heat Shield |
| 5 | 1765431001 | 2 | | Fender Support |
| 6 | 703-3293 | 1 | | Console Support |
| 9 | 1186391 | 12 | S | Flange Nut, 5/16-18 |
| 10 | 1100044 | 12 | S | Hex Head Capscrew, 5/16-18 x 3/4 |
| ?11 | 1185798 | 4 | | Hex Head Capscrew, 3/8-16 x 1/2 |
| 14 | 1107382 | 8 | /P | Flat Washer, 5/16 |
| 91 | 1732499 | 4 | /P | Locknut, 5/16-18 |
| 236 | 1186329 | 4 | S | Flange Screw, 5/16-18 x 3/4 |
| 309 | 1747738 | 1 | /P | J-Clamp |

13A-130F063 13HP Gear Drive LTX Tractor
Lift Assembly

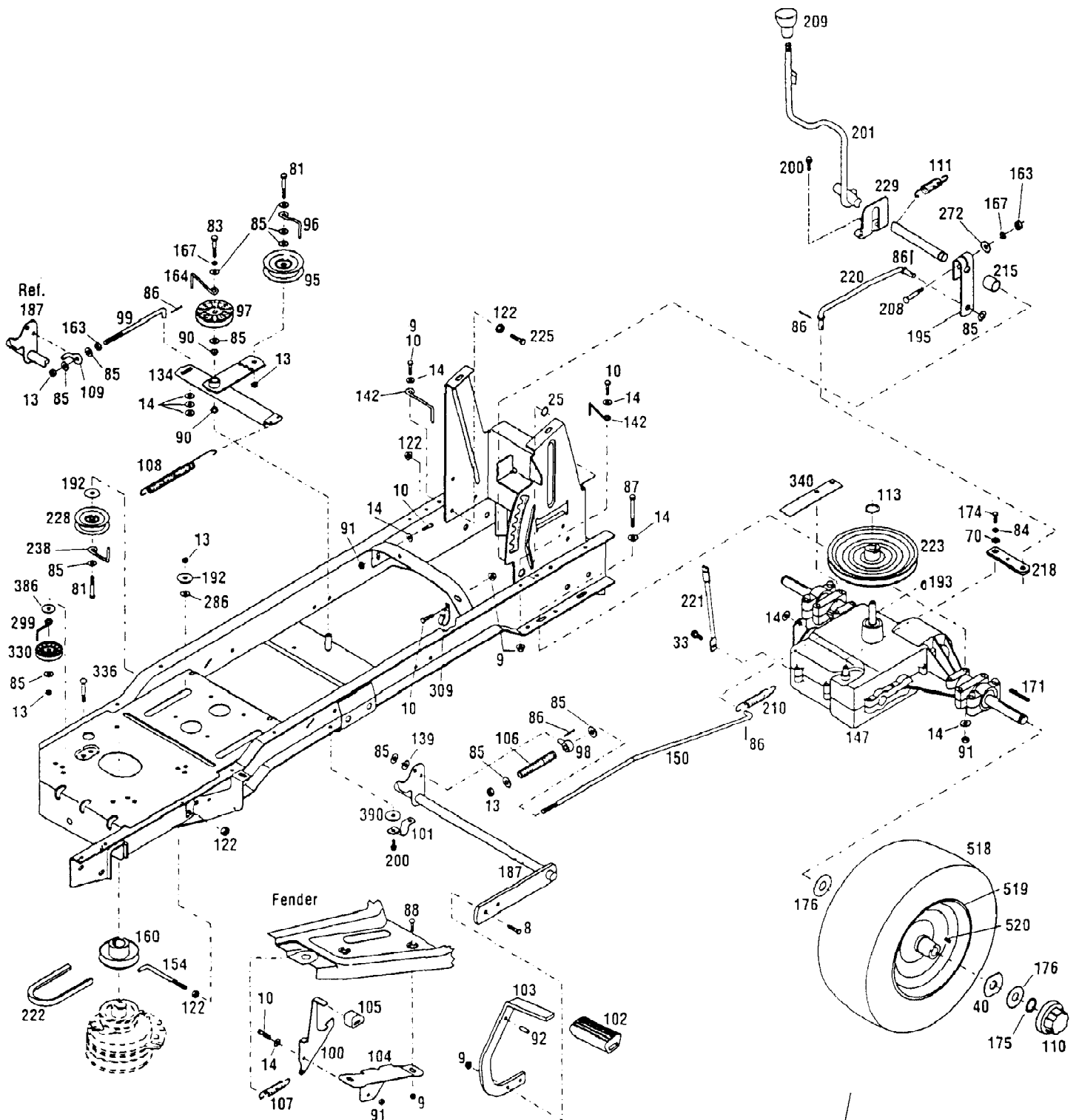


13A-130F063 13HP Gear Drive LTX Tractor
Lift Assembly

Page 11 of 20

| Ref # | Part Number | Qty | S/P/F | Description |
|-------|-------------|-----|-------|--|
| 9 | 1186391 | 4 | S | Flange Nut, 5/16-18 |
| 13 | 1733398 | 4 | S | Top Locknut, 3/8-16 |
| 29 | 1177567 | 2 | S | E Retaining Ring, 5/8 |
| 31 | 1758231 | 1 | S | Top Locknut, 5/8-11 |
| 85 | 1107383 | 4 | S | Flat Washer, 3/8 |
| 163 | 1186231 | 2 | S | Hex Nut, 3/8-16 |
| 197 | 1773104 | 2 | | Warning Decal |
| 219 | 1752694 | 1 | | Trim |
| 231 | 1111614 | 2 | S | Hex Head Screw, 3/8-16 x 3 |
| 232 | 1773610 | 1 | S | Screw, 10-24 x 5/16 |
| 236 | 1186329 | 4 | S | Flange Screw, 5/16-18 x 3/4 |
| 242 | 1763355 | 2 | S | Flat Washer, 3/8 x 1-1/2 |
| 243 | 1773138 | 1 | | Lift Assist Spring |
| 244 | 1773201 | 1 | /P | Height Indicator |
| 245 | 1773139 | 1 | | Hex Head Screw, 3/8-16 x 5 |
| 247 | 1773206 | 1 | | Extension Spring |
| 248 | 1773183 | 1 | | Cable Assembly |
| 250 | 1772806 | 2 | | Lift Clamp |
| 251 | 1772868 | 2 | | Lift Rod |
| 252 | 1772438 | 2 | /P | Rear Lift Swivel |
| 254 | 1766080 | 2 | | Spacer |
| 255 | 1772973 | 1 | | Extension Spring |
| 257 | 1772870 | 1 | /P | Rod |
| 259 | 1772871 | 1 | | Pivot Block |
| 260 | 1772872 | 1 | | Spring Anchor |
| 261 | 1766340 | 1 | | Lift Grip |
| 276 | 1772865 | 1 | /P | Lift Button |
| 277 | | 1 | | UNKNOWN |
| 321 | 1772165 | 1 | | Dome Cap |
| 527 | 1772960001 | 1 | | Lift Assembly |
| 529 | 1772961 | 1 | | Right Lift Link Assy. (Incl. Ref. 197) |
| 530 | 1772962 | 1 | | Left Lift Link Assy. (Incl. Ref. 197) |

13A-130F063 13HP Gear Drive LTX Tractor
Peerless 930 5-Speed Transmission Assembly



Note: Rim, Tire and Valve Stem
sold separately. See Refs. 518,
519 and 520.

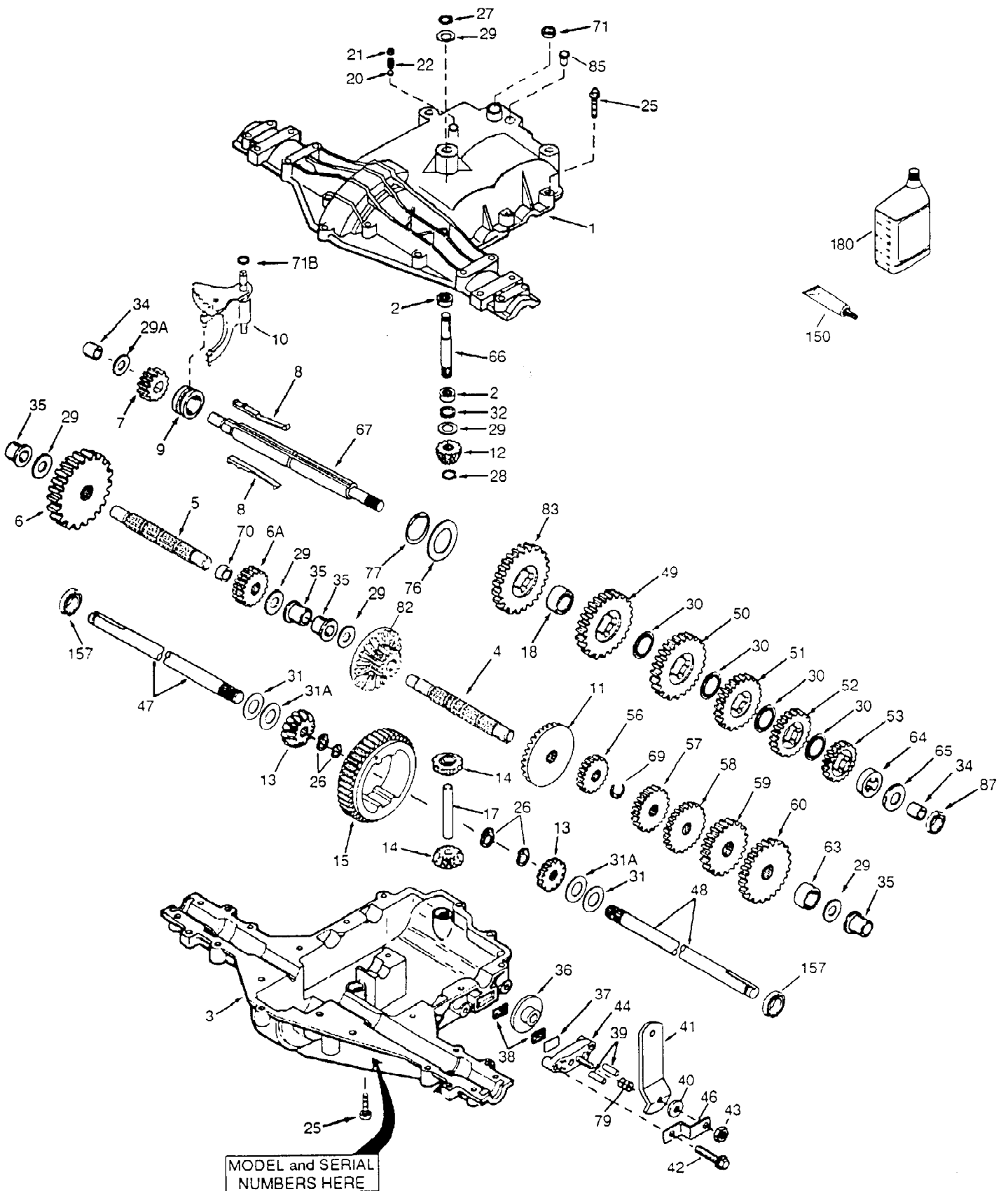
| Ref # | Part Number | Qty | S/P/F | Description |
|-------|-------------|-----|-------|---|
| 8 | 1100045 | 2 | S | Hex Head Capscrew, 5/16-18 x 1 |
| 9 | 1186391 | 7 | S | Flange Nut, 5/16-18 |
| 10 | 1100044 | 5 | S | Hex Head Capscrew, 5/16-18 x 3/4 |
| 13 | 1733398 | 5 | S | Top Locknut, 3/8-16 |
| 14 | 1107382 | 16 | /P | Flat Washer, 5/16 |
| 25 | 1113527 | 1 | S | Retaining Ring, 3/4 |
| 33 | 1766984 | 1 | /P | Flange Lock screw, 5/16-18 x 3/4 |
| 40 | 1766241 | 2 | /P | Special Washer, 3/4 x 2-1/2 |
| 70 | 1107381 | 1 | S | Flat Washer, 1/4 |
| 81 | 1100048 | 2 | S | Hex Capscrew, 3/8-16 x 2 |
| 83 | 1100086 | 1 | S | Hex Capscrew, 3/8-16 x 1-3/4 |
| 84 | 1100241 | 1 | S | Lock Washer, 1/4 SAE |
| 85 | 1107383 | 13 | S | Flat Washer, 3/8 |
| 86 | 1100346 | 5 | S | Cotter Pin, 3/32 x 3/4 |
| 87 | 1111609 | 4 | S | Hex Screw, 5/16-18 x 2-3/4 |
| 88 | 1186097 | 2 | S | Carriage Bolt, 5/16-18 x 5/8 |
| 90 | 1715538 | 2 | /P | Nyliner Bushing |
| 91 | 1732499 | 6 | /P | Locknut, 5/16-18 |
| 92 | 1770205 | 1 | | Drive Pin, 5/16 x 1 |
| 95 | 1756151 | 1 | /P | Idler Pulley |
| 96 | 1760096 | 1 | /P | Belt Guide |
| 97 | 1760097 | 1 | /P | Idler Pulley |
| 98 | 1751848 | 1 | | Swivel |
| 99 | 1772460 | 1 | | Clutch Rod |
| 100 | 1771514 | 1 | | Brake Lock Latch |
| 101 | 1765156 | 2 | | Clip, 3/4 |
| 102 | 1765167 | 1 | | Brake Pedal Pad |
| 103 | 1772741 | 1 | | Brake Pedal |
| 104 | 1765257 | 1 | | Brake Lock Bracket |
| 105 | 1765297 | 1 | | Parking Brake Pedal Pad |
| 106 | 1765305 | 1 | | Compression Spring |
| 107 | 1985140 | 1 | | Extension Spring |
| 108 | 1765402 | 1 | /P | Extension Spring |
| 109 | 1765461 | 1 | | Pivot Rod |
| 110 | 1766215 | 2 | | Hub Cap |
| 111 | 1773176 | 1 | | Spring |
| 113 | 1118808 | 1 | /P | Retaining Ring, 5/8 |
| 122 | 1186393 | 4 | /P | Flange Nut, 3/8-16 |
| 134 | 1765064 | 1 | /P | Idler Arm Assembly |
| 139 | 1890945 | 2 | S | Flat Washer, 3/8 |
| 142 | 1767808 | 2 | | Belt Guide |
| 147 | | 1 | | Transaxle, Peerless MST-205 5-Speed (See "Peerless MST 205 Transaxle Assembly" ill. and parts list); Purchase transaxle parts from your Tecumseh/Peerless dealer. Refer to transaxle for type and code. |
| 150 | 1767895 | 1 | | Brake Rod |
| 154 | 1766025 | 1 | /P | Clutch Retainer |
| 160 | 1766200 | 1 | /P | Engine Sheave |
| 163 | 1186231 | 2 | S | Hex Nut, 3/8-16 |
| 164 | 1767900 | 1 | | Belt Guide |
| 167 | 1100243 | 2 | S | Lock Washer, 3/8 |
| 171 | 1104335 | 2 | S | Square Key, 3/16 |

13A-130F063 13HP Gear Drive LTX Tractor
Peerless 930 5-Speed Transmission Assembly

Page 14 of 20

| Ref # | Part Number | Qty | S/P/F | Description |
|-------|-------------|-----|-------|----------------------------------|
| 174 | 1111683 | 1 | S | Hex Screw, 1/4-28 x 1/2 |
| 175 | 1185388 | 2 | S | Retaining E-Ring, 5/8 |
| 176 | 1747998 | 8 | | Flat Washer, 3/4 x 1-7/8 |
| 187 | 1772728 | 1 | | Brake Pedal Assembly |
| 192 | 1891733 | 2 | S | Flat Washer |
| 193 | 1104436 | 1 | S | Woodruff Key, 3/16 x 3/4 |
| 195 | 1770294 | 1 | | Shift Shaft Arm |
| 200 | 1724491 | 6 | S | Flange Lock screw, 5/16-18 x 3/4 |
| 201 | 1772830 | 1 | | Gear Shift Arm |
| 208 | 1770298 | 1 | | Carriage Bolt, 3/8-16 x 2-1/4 |
| 209 | 1766115 | 1 | | Knob |
| 210 | 1767884 | 1 | /P | Extension Spring |
| 215 | 1766345 | 1 | | Spacer |
| 218 | 1766186 | 1 | | Transmission Arm |
| 220 | 1770602 | 1 | | Adjusting Rod |
| 221 | 1767894 | 1 | | Transmission Support |
| 222 | 1765300 | 1 | /P | V-Belt |
| 223 | 1770629 | 1 | | Transmission Sheave |
| 225 | 1100047 | 1 | S | Screw, 3/8-16 x 1-1/4 |
| 228 | 1713803 | 1 | S | Idler Pulley |
| 229 | 1772829 | 1 | | Shaft Guide |
| 238 | 1767892 | 1 | | Belt Guide |
| 272 | 1701055 | 1 | /P | Special Washer, 3/8 |
| 286 | 1768818 | 1 | S | Flat Washer |
| 299 | 1729780 | 1 | /P | Belt Guide |
| 309 | 1747738 | 1 | /P | J-Clamp |
| 330 | 1756164 | 1 | | Idler Sheave |
| 336 | 1186132 | 1 | S | Carriage Bolt, 3/8-16 x 1-3/4 |
| 340 | 1767899 | 1 | | Stop |
| 386 | 1107385 | 1 | S | Flat Washer, 1/2 |
| 390 | 1705108 | 4 | S | Flat Washer, 3/8 |
| 518 | 1772455 | 2 | S | Tire, 20 x 8.00-8 |
| 519 | 1772454 | 2 | | Rim |
| 520 | 1718086 | 2 | S | Valve Stem |

13A-130F063 13HP Gear Drive LTX Tractor
Peerless MST 205 Transaxle Assembly



NOTE: Purchase transaxle parts from your Tecumseh/Peerless dealer.
Refer to transaxle for type and code.

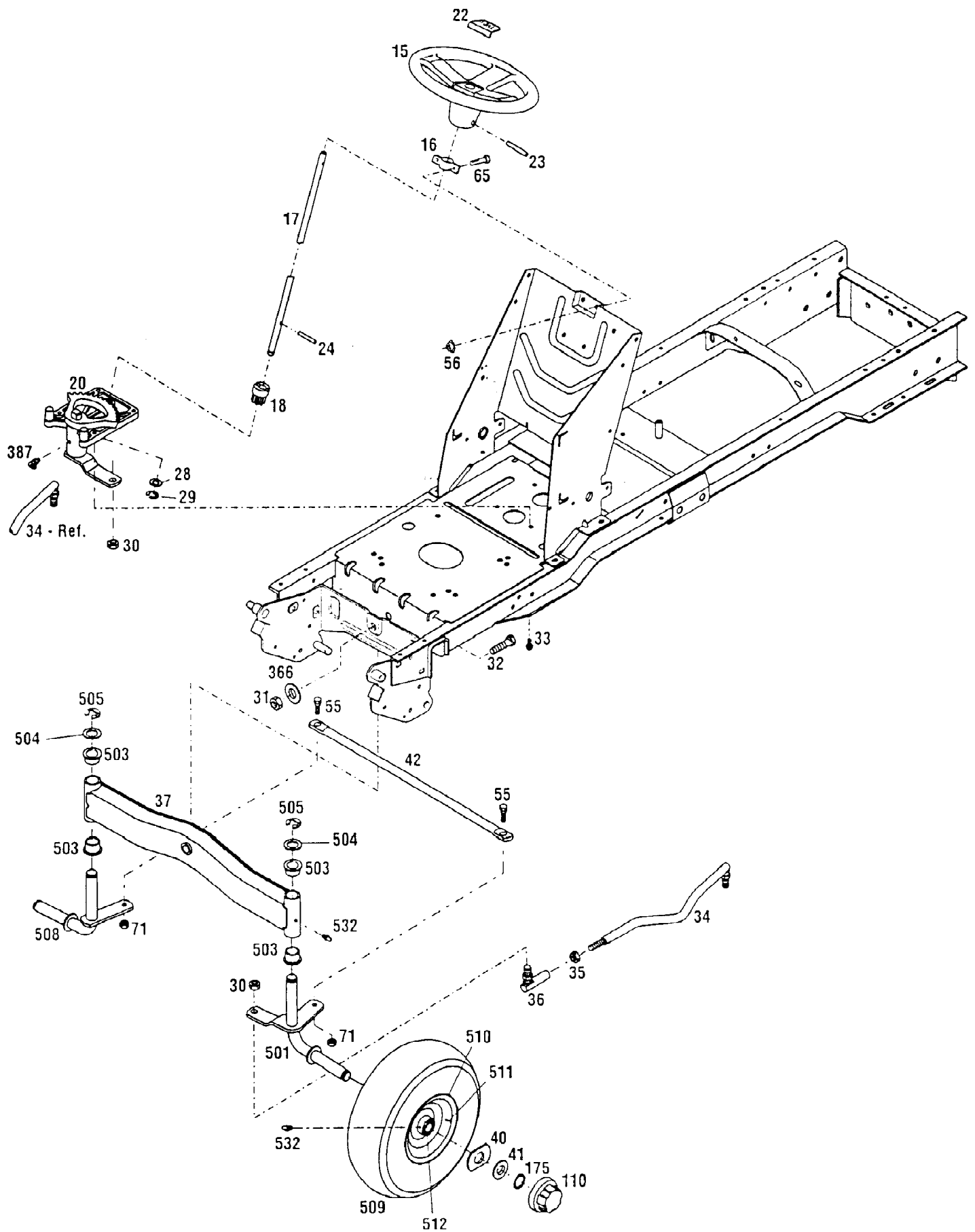
| Ref # | Part Number | Qty | S/P/F | Description |
|-------|-------------|-----|-------|------------------------------------|
| 1 | 772137 | 1 | | Transaxle Cover |
| 2 | 780086A | 2 | S | Needle Bearing |
| 3 | 770123 | 1 | | Transaxle Case |
| 4 | 776395 | 1 | | Countershaft |
| 5 | 776397 | 1 | | Output Shaft |
| 6 | 778331 | 1 | | Spur Gear (38 teeth) |
| 6A | 778332 | 1 | | Spur Gear (15 teeth-steel) |
| 7 | 778330 | 1 | | Spur Gear (11 teeth-steel) |
| 8 | 792136A | 2 | | Shift Key |
| 9 | 784352 | 1 | | Shift Collar |
| 10 | 784378 | 1 | | Shift Rod & Fork |
| 11 | 778334 | 1 | | Bevel Gear (30 teeth) |
| 12 | 778309 | 1 | | Input Bevel Pinion (13 teeth) |
| 13 | 778221 | 2 | | Bevel Gear (16 teeth) |
| 14 | 778068 | 2 | | Bevel Pinion (16 teeth) |
| 15 | 778312A | 1 | | Ring Gear (43 teeth) |
| 17 | 786139 | 1 | | Drive Pin |
| 18 | 786102 | 1 | | Spacer |
| 20 | 792077 | 1 | | Ball 5/16 diameter |
| 21 | 792078 | 1 | | Set Screw 3/8-16 x 3/8 |
| 22 | 792079 | 1 | S | Spring |
| 25 | 792073 | 18 | | Screw 1/4-20 x 1-1/4 |
| 26 | 792125 | 4 | | Retaining Ring (pkg of 2) |
| 27 | 792035 | 1 | S | Retaining Ring |
| 28 | 788040 | 1 | | Retaining Ring |
| 29 | 780072 | 6 | S | Washer |
| 29A | 780160 | 1 | | Washer |
| 30 | 780108 | 4 | S | Washer |
| 31 | 780001 | 2 | | Washer (.056 wide) (USE AS NEEDED) |
| 31A | 780195 | 2 | | Flat Washer(.062 wide) |
| 32 | 788083 | 1 | | Oil Seal 5/8 |
| 34 | 780194 | 2 | | Bushing |
| 35 | 780193 | 4 | | Flanged Bushing |
| 36 | 790075 | 1 | | Brake Disk |
| 37 | 790007 | 1 | S | Brake Pad Plate |
| 38 | 799021 | 2 | | Brake Pad (pkg of 2) |
| 39 | 786026 | 2 | S | Dowel Pin |
| 40 | 792076A | 1 | | Washer |
| 41 | 790031 | 1 | | Brake Lever |
| 42 | 792073 | 2 | | Screw 1/4-20 x 1-1/4 |
| 43 | 792075 | 1 | | Locknut 5/16-24 |
| 44 | 790025 | 1 | | Brake Pad Holder |
| 46 | 786086 | 1 | | Brake Lever Bracket |
| 47 | 774697 | 1 | | Axle (11-13/16) |
| 48 | 774738 | 1 | | Axle (16-7/16) |
| 49 | 778356 | 1 | | Spur Gear (29 teeth-steel) |
| 50 | 778354 | 1 | | Spur Gear (23 teeth-steel) |
| 51 | 778352 | 1 | | Spur Gear (19 teeth-steel) |
| 52 | 778350 | 1 | | Spur Gear (16 teeth-steel) |
| 53 | 778346 | 1 | | Spur Gear (15 teeth-steel) |
| 56 | 778355 | 1 | | Spur Gear (11 teeth-steel) |
| 57 | 778353 | 1 | | Spur Gear (17 teeth-steel) |
| 58 | 778351 | 1 | | Spur Gear (21 teeth-steel) |

13A-130F063 13HP Gear Drive LTX Tractor
Peerless MST 205 Transaxle Assembly

Page 17 of 20

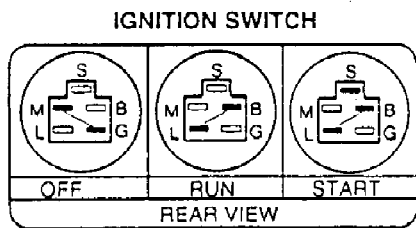
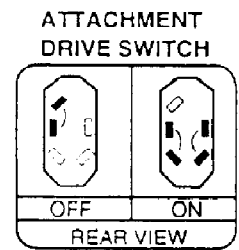
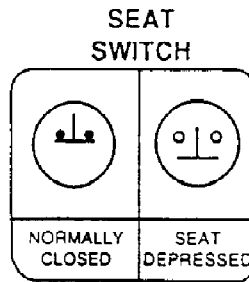
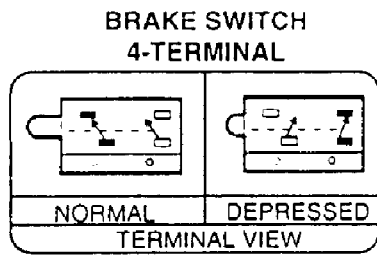
| Ref # | Part Number | Qty | S/P/F | Description |
|-------|-------------|-----|-------|-----------------------------------|
| 59 | 778349 | 1 | | Spur Gear (24 teeth-steel) |
| 60 | 778345 | 1 | | Spur Gear (25 teeth) |
| 63 | 786071 | 1 | | Countershaft Spacer 1-1/8 x 3/8 |
| 64 | 786072 | 1 | | Brake Shaft Spacer 1-3/8 x 3/8 |
| 65 | 780189 | 1 | | Washer |
| 66 | 776394 | 1 | | Input Shaft |
| 67 | 776396 | 1 | | Shifter & Brake Shaft |
| 69 | 792170 | 1 | | Retaining Ring |
| 70 | 786172 | 1 | | Spacer |
| 71 | 788069 | 1 | | Square Cut Ring |
| 71B | 788092 | 1 | | "O" Ring |
| 76 | 780090 | 1 | | Washer |
| 77 | 788078A | 1 | | Inverted Retaining Ring |
| 79 | 792144 | 1 | | Spring |
| 82 | 778333 | 1 | | Bevel & Spur Gear (30 & 13 teeth) |
| 83 | 778338 | 1 | | Spur Gear (27 teeth) |
| 85 | 792154 | 1 | | Pipe Plug |
| 87 | 788089 | 1 | | Oil Seal 9/16 |
| 150 | 788093 | 1 | | Liquid Gasket RTV Silicone |
| 157 | 788088 | 2 | | Oil Seal 3/4 |
| 180 | 730229A | 1 | | Gear Oil 80W90 |

13A-130F063 13HP Gear Drive LTX Tractor
Steering Assembly



| Ref # | Part Number | Qty | S/P/F | Description |
|-------|-------------|-----|-------|----------------------------------|
| 15 | 1766027 | 1 | /P | Premium Steering Wheel |
| 16 | 1772929 | 1 | | Bearing |
| 17 | 1765010 | 1 | /P | Steering Shaft |
| 18 | 1771039 | 1 | | Pinion Gear |
| 20 | 1771320 | 1 | /P | Steering Gear Assembly |
| 22 | 1766221 | 1 | | Steering Wheel Cap |
| 23 | 1185284 | 1 | S | Roll Pin, 1/4 x 2 |
| 24 | 1185348 | 1 | S | Drive Pin, 1/4 x 1-1/4 |
| 28 | 1705092 | 1 | S | Special Washer, 5/8 x 1 |
| 29 | 1177567 | 1 | S | Retaining Ring, 5/8 |
| 30 | 1768796 | 2 | S | Locking Jam Nut, 1/2-20 |
| 31 | 1758231 | 1 | S | Top Locknut, 5/8-11 |
| 32 | 1767953 | 1 | | Hex Head Screw, 5/8-11 x 2 3/4 |
| 33 | 1766984 | 4 | /P | Flange Lock Screw, 5/16-18 x 3/4 |
| 34 | 1765315 | 1 | | Drag Link |
| 35 | 1186247 | 1 | S | Hex Jam Nut, 1/4-20 |
| 36 | 1716180 | 1 | | Ball Joint |
| 37 | 1765169001 | 1 | | Front Axle |
| 40 | 1766241 | 2 | /P | Special Washer, 3/4 x 2-1/2 |
| 41 | 1185830 | 4 | S | Special Washer, 3/4 x 1-3/8 |
| 42 | 1768883001 | 1 | /P | Tie Rod |
| 55 | 1894062 | 2 | /P | Shoulder Bolt, 3/8-24 |
| 56 | 1186389 | 2 | /P | Flange Nut, 1/4-20 |
| 65 | 1186309 | 2 | /P | Flange Screw 1/4-20 x 5/8 |
| 71 | 1110150 | 2 | S | Self-Locking Nut, 3/8-24 |
| 110 | 1766215 | 2 | | Hub Cap |
| 175 | 1185388 | 2 | S | Retaining Ring |
| 366 | 1100266 | 1 | S | Flat Washer, 5/8 |
| 387 | 1731504 | 1 | S | Grease Fitting, 90°. |
| 501 | 1765263001 | 1 | | Left Spindle Assembly |
| 503 | 1764140 | 4 | /P | Axle Bushing |
| 504 | 1701447 | 4 | /P | Special Washer, 3/4 |
| 505 | 1185689 | 2 | | Retaining Ring, External |
| 508 | 1765004001 | 1 | | Right Spindle Assembly |
| 509 | 1762254 | 2 | S | Tire, 15 x 6.00, 6 RS |
| 510 | 1767276 | 2 | /P | Rim Assembly |
| 511 | 1718086 | 2 | S | Valve Stem |
| 512 | 1185616 | 4 | S | Wheel Bearing |
| 532 | 1185976 | 4 | S | Grease Fitting |

13A-130F063 13HP Gear Drive LTX Tractor
Wiring Diagram



| ITEM CODE | |
|-----------|-----------------------|
| 1 | Magneto |
| 2 | Alternator |
| 5 | Attachment Clutch |
| 6 | Diode Assembly |
| 8 | Seat Plug with Switch |
| 10 | Connector |
| 11 | Battery |
| 12 | Fuse |
| 13 | Start Solenoid |
| 14 | Seat Switch |
| 15 | Brake Switch |
| 17 | Key Switch |
| 19 | Attachment Switch |
| 20 | Attachment Light |
| 21 | Start Light |
| 30 | Accessory Plug |

| WIRE COLOR CODE | |
|-----------------|--------------|
| BK | Black |
| BL | Blue |
| P | Purple |
| R | Red |
| Y | Yellow |
| R/W | Red/White |
| R/B | Red/Black |
| R/Y | Red/Yellow |
| Y/R | Yellow/Red |
| Y/B | Yellow/Black |

