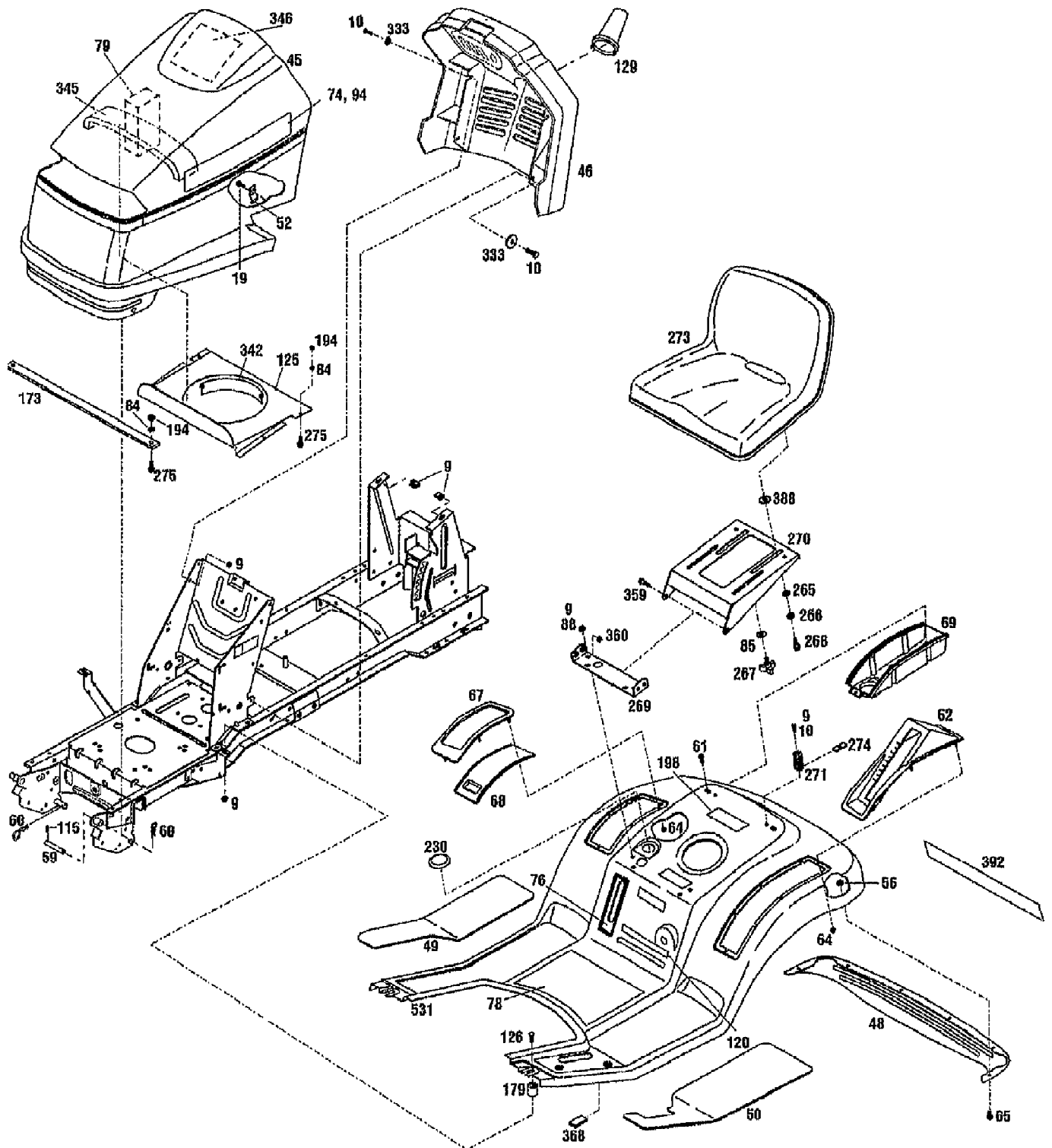


13105 LTX HYDRO-LAWN TRACTOR (S/N 131050100101)
BODYWORK & TRIM ASSEMBLY



13105 LTX HYDRO-LAWN TRACTOR (S/N 131050100101)
BODYWORK & TRIM ASSEMBLY

Page 2 of 23

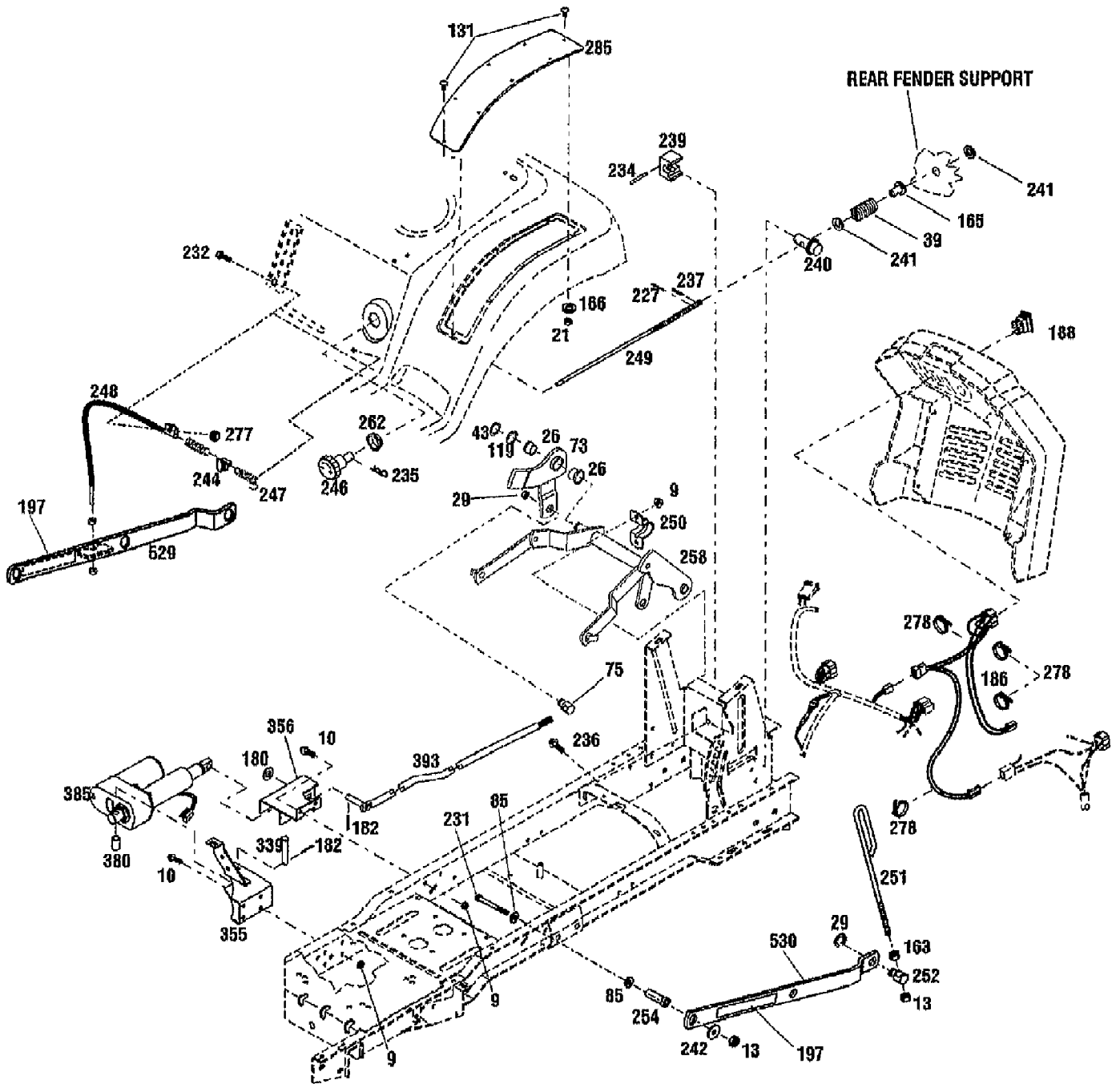
Ref #	Part Number	Qty	S/P/F	Description
9	1186391	0	S	NUT-HFLK 5/16-18 ZP
10	1100044	0	S	SCR-HHC 5/16-18X.75 GR 5 ZP
19	1772878	0		SCR-SPECIAL #10
45	1765382	0		HOOD-TRACTOR
46	1772896	0		CONSOLE
48	1765331010	0		TRIM-FENDER REAR
49	1772846	0		PAD-FOOT RH
50	1772845	0	/P	PAD-FOOT LH
52	1773591	0		LATCH
56	1186389	0	/P	NUT-HF/LK 1/4-20 ZP
?57	1761680	0	S	NUT-SELF RETAIN 5/16-18
59	1773226	0	/P	PIN-HOOD PIVOT
60	1723478	0	/P	PIN-HITCH .125X2.56 ZP
61	1186330	0	S	SCR-LOCK
62	1772979	0	/P	COVER-LIFT HANDLE {13103,13104}
?63	1901900	0	/P	DECAL-AMERICAN LEGEND-LRG
64	1750532	0	S	NUT-SELF THREADING
65	1186309	0	/P	SCR-HH 1/4-20X.625
67	1765493	0		TOP-STORAGE COVER
68	1765492	0		COVER-CONTAINER
69	1765494	0		CONTAINER-STORAGE
74	1773163	0		DECAL-LOGO LH
76	1773205	0		DECAL-FUEL LEVEL
78	1772965	0		TUNNEL {13103,13104}
78	1772966	0		DECAL-TUNNEL {13105}
79	1768829	0		BLOCK-SEALING {13105}
84	1100241	0	S	WASHER-LK .25 ZP {13103,13104}
84	1100241	0	S	WASHER-LK .25 ZP {13105}
85	1107383	0	S	WASHER-FLAT 3/8 SAE
88	1186097	0	S	SCR-CARR 5/16-18X.62 G2 ZP
94	1773162	0		DECAL-LOGO RH
115	1120210	0		PIN-ROLL .188X1.0
120	1773223	0		DECAL-HGT INDICATOR
125	1773622001	0		SHIELD-HEAT UPPER {13105}
126	1186469	0	S	SCR-CARR 5/16-18X.75
129	1773236	0		COVER-STEERING
?133	1723384	0	S	WASHER-1.5X.343X.104
173	1773623001	0		STRAP-HOOD {13103,13104}
179	1730681	0	/P	SPACER-TUBULAR
194	1186229	0	S	NUT-HEX 1/4-20 ZP {13103,13104}
194	1186229	0	S	NUT-HEX 1/4-20 ZP {13105}
198	1767876	0		DECAL-FUEL
230	1768787	0		PLUG 2.50
265	1705793	0		WASHER-1.06X.51X.09 NYLON
266	1706782	0	/P	WASHER-BOW .74X.52X.01
267	1734269	0		KNOB
268	1754125	0	/P	SCR-SHLDR 3/8-16X.25 G5ZP
269	1766075001	0		BRKT-SUPPORT SEAT
270	1766074001	0	/P	SUPPORT-SEAT
271	1766077	0	/P	SPRING-COMPRESSION
273	1774127	0		SEAT-HIGH BACK
274	1766347	0	/P	BRKT-SPRING HOLD DOWN
275	1111599	0	S	SCR-HH 1/4-20X.625 G5 ZP {13103,13104}

13105 LTX HYDRO-LAWN TRACTOR (S/N 131050100101)
BODYWORK & TRIM ASSEMBLY

Page 3 of 23

Ref #	Part Number	Qty	S/P/F	Description
275	1111599	0	S	SCR-HH 1/4-20X.625 G5 ZP {13105}
333	1723384	0	S	WASHER-1.5X.343X.104
342	1767897	0		GASKET-HEAT SHIELD {13105}
345	1767898	0		STRIP-SEALING {13105}
346	1773105	0		DECAL-SERVICE
359	1100913	0	S	SCR-HH 3/8-16X.88 G5 ZP
360	1110108	0	S	NUT-H/LK 3/8-16
368	1767995	0		PAD
388	1893445	0	S	WASHER-FLAT
392	1772803	0		DECAL-MODEL {13103}
392	1772804	0		DECAL-MODEL {13104}
392	1772805	0		DECAL-MODEL {13105}
531	1772963	0		FENDER-REAR {13103,13104}
531	1772964	0		FENDER-RED W/DECALS {13105}
?600	1735222	0	/P/F	PAINT-BLACK SPRAY
?601	1900706	0	S/F	PAINT-RED SPRAYCAN POWDER

13105 LTX HYDRO-LAWN TRACTOR (S/N 131050100101)
ELECTRIC LIFT ASSEMBLY



13105 LTX HYDRO-LAWN TRACTOR (S/N 131050100101)
ELECTRIC LIFT ASSEMBLY

Page 5 of 23

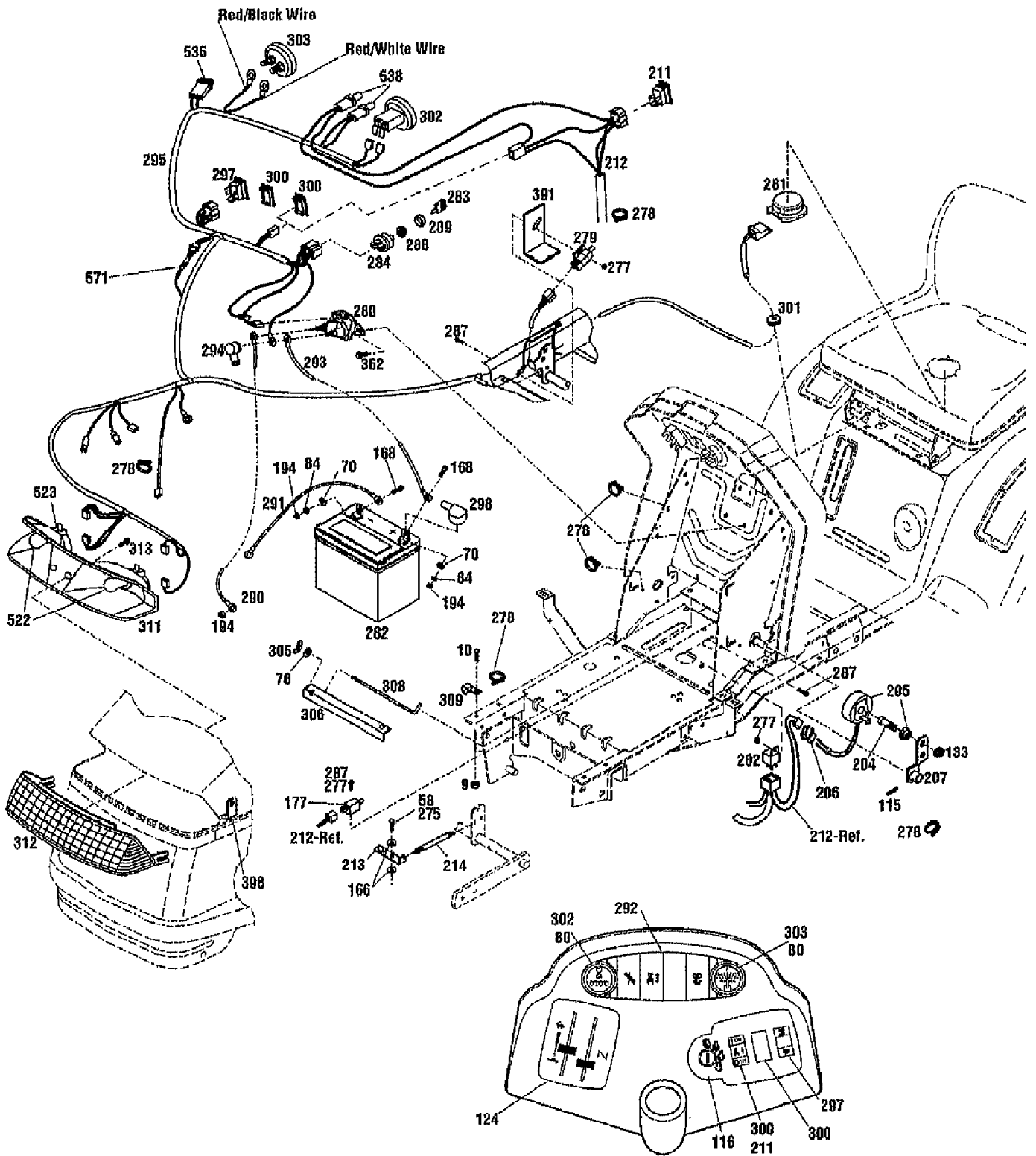
Ref #	Part Number	Qty	S/P/F	Description
9	1186391	0	S	NUT-HFLK 5/16-18 ZP
10	1100044	0	S	SCR-HHC 5/16-18X.75 GR 5 ZP
13	1733398	0	S	NUT-LOCK 3/8-16
21	1817146	0	S	NUT-LK 1/4-20
26	1752556	0		BEARING-FLANGE
29	1177567	0	S	RING-RETAINING
39	1721492	0	/P	SPRING-COMPRESSION
43	1185689	0		RING-HEAVY EXT HD 1.0 ID
73	1773025	0		ASSM-PIVOT ARM
75	1770696	0		BLOCK-PIVOT
85	1107383	0	S	WASHER-FLAT 3/8 SAE
119	1185816	0	/P	WASHER-SPEC
131	1772882	0	S	SCR-MACH .25-20X.62
163	1186231	0	S	NUT-HEX 3/8-16 ZP
165	1715716	0	/P	BUSHING-.5X.21 NYLON FLNG
166	1720883	0	/P	WASHER-FLAT 1.25X.28X.062 ZP
180	1107385	0	S	WASHER-1.06X.531X.1 ZP
182	1100350	0	S	PIN-COTTER .120X1.00 ZP
186	1771681	0		HARNES-ACTUATOR
188	1771668	0		SWITCH-ROCKER
197	1773104	0		DECAL-WARNING
227	1100349	0	S	PIN-COTTER .125 X .75 ZP
231	1111614	0	S	SCR-HH 3/8-16X3.0 G5 ZP
232	1773610	0	S	SCR 10-24 X 5/8
234	1185376	0	/P	PIN-DRIVE
235	1817091	0		PIN-HITCH
236	1186329	0	S	SCR-HFLK 5/16-18X.75 ZP
237	1187961	0	/P	PIN-ROLL .156X1.0
239	1766259	0		COLLAR-HEIGHT ADJUST
240	1766257	0		BLOCK-HEIGHT ADJUST
241	1738490	0	/P	SPACER
242	1763355	0	S	WASHER-1.5X.375X.18 ZP
244	1773201	0	/P	INDICATOR-HEIGHT
246	1765485	0	/P	KNOB-HEIGHT ADJUST
247	1773206	0		SPRING-EXTENSION
248	1773183	0		ASSM-CABLE
249	1773133	0	/P	SCR-HEIGHT ADJUST
250	1772806	0		CLAMP-LIFT
251	1772866	0		ROD-LIFT
252	1772438	0	/P	SWIVEL-REAR LIFT
254	1766080	0		SPACER
258	1772970001	0		ASSM-LIFT
262	1766346	0		GROMMET-SNAP BUSHING
277	1185958	0		NUT-KEPS 10-24
278	1735531	0	S	TIE-CABLE NYLON BLACK
285	1773064	0		COVER
339	1706621	0		PIN-CLEVIS .5X2.75
355	1770688001	0		SUPPORT-FRONT
356	1771799001	0		SUPPORT-REAR
380	1770694	0		SPACER
385	1771678	0		ACTUATOR
393	1772978	0		ROD-LIFT
529	1773524	0		ASSM-LIFT LINK RH

13105 LTX HYDRO-LAWN TRACTOR (S/N 131050100101)
ELECTRIC LIFT ASSEMBLY

Page 6 of 23

Ref #	Part Number	Qty	S/P/F	Description
530	1772962	0		ASSM-LT LIFT LINK

13105 LTX HYDRO-LAWN TRACTOR (S/N 131050100101)
ELECTRICAL ASSEMBLY



13105 LTX HYDRO-LAWN TRACTOR (S/N 131050100101)
ELECTRICAL ASSEMBLY

Page 8 of 23

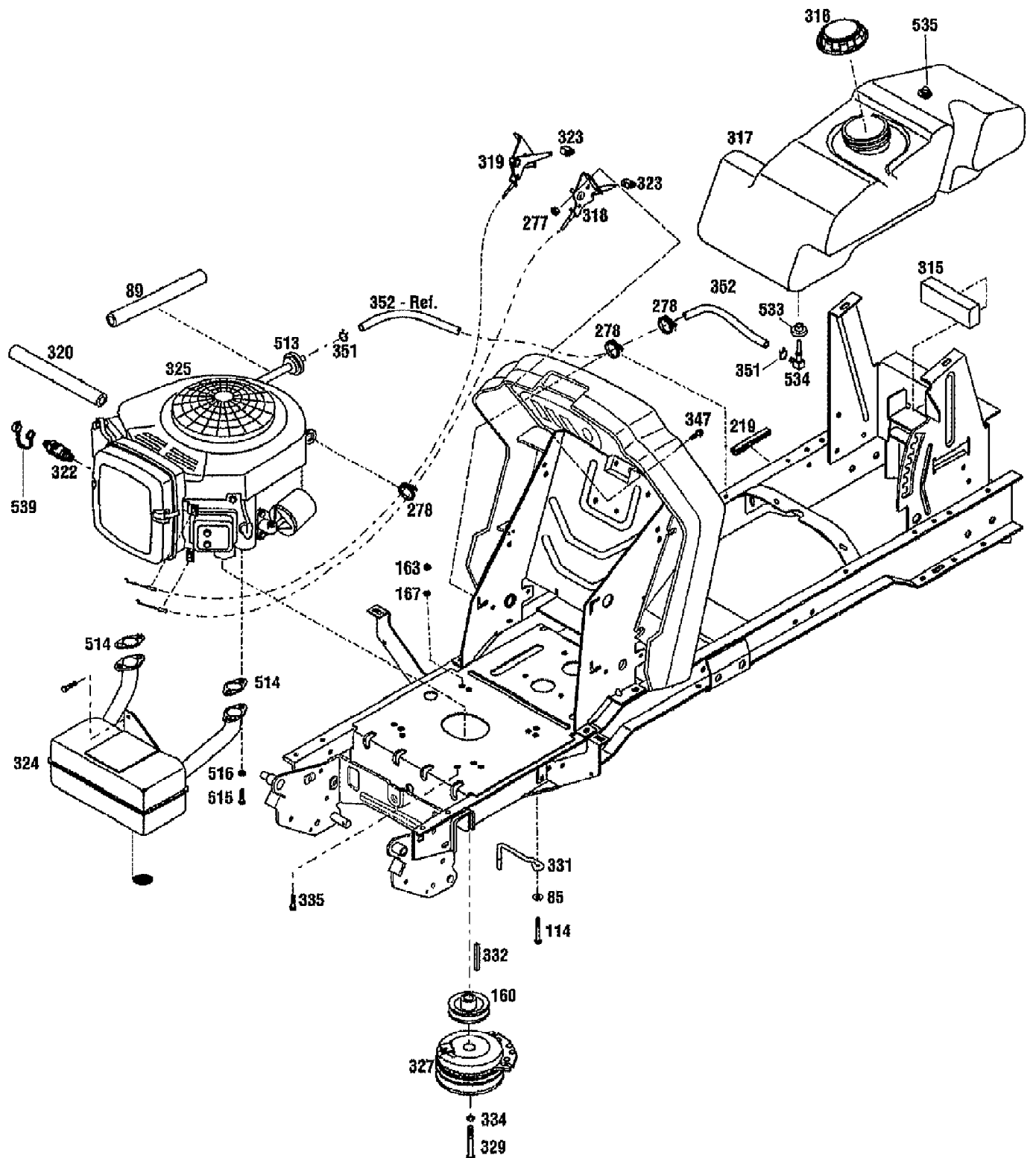
Ref #	Part Number	Qty	S/P/F	Description
?	1186391	0	S	NUT-HFLK 5/16-18 ZP {13103,13104}
10	1100044	0	S	SCR-HHC 5/16-18X.75 GR 5 ZP
58	1734398	0	S	NUT-HT LK 1/4-20 {13105}
70	1107381	0	S	WASHER-FLAT 1/4 SAE
80	1772950	0		CAP {13103,13104}
84	1100241	0	S	WASHER-LK .25 ZP
115	1120210	0		PIN-ROLL .188X1.0 {13105}
116	1772916	0		DECAL-IGNITION
124	1772915	0		DECAL-CONTROL {13103}
124	1772914	0		DECAL-CONTROL {13104,13105}
133	1186396	0		NUT-WHIZ LOCK {13105}
166	1720883	0	/P	WASHER-FLAT 1.25X.28X.062 ZP {13105}
168	1100805	0	S	SCR-HH 1/4-20X.75 G5 ZP
177	1748723	0	/P	SWITCH {13105}
194	1186229	0	S	NUT-HEX 1/4-20 ZP
202	1749907	0	/P	RELAY-SPEED CONTROL {13105}
204	1750736	0	/P	SCR-SPECIAL {13105}
205	1768971	0	/P	ASSM-MAGNET {13105}
206	1767852	0		PIN-TERM HOUSING {13105}
207	1773617	0		ARM-CRUISE {13105}
211	1766350	0	/P	SWITCH-CRUISE {13105}
212	1766351	0		HARNES-CRUISE {13105}
213	1767803	0		ARM-CRUISE {13105}
214	1767822	0		SPRING {13105}
275	1111599	0	S	SCR-HH 1/4-20X.625 G5 ZP
277	1185985	0	S	NUT W/LKWASHER 10-24 ZP
278	1735531	0	S	TIE-CABLE NYLON BLACK
279	1751328	0	S	SWITCH
280	1752137	0	S	SOLENOID
281	1768882	0	/P	SWITCH-SEAT
282	1752840	0		BATTERY
283	1753986	0	/P	KEY-IGNITION
284	1754250	0	S	SWITCH-IGNITION
287	1758070	0	S	SCR-HHS 10-24X.625 ZP
288	1758146	0	S	NUT-SWITCH
289	1758147	0	S	CAP-SWITCH
290	1764898	0	S	CABLE-STARTER
291	1764886	0		CABLE-BATTERY (-)
292		0		UNKNOWN
293	1764888	0		CABLE-BATTERY
294	1764890	0		BOOT-SOLENOID
295	1773042	0		HARNES-MAIN {13103,13104}
295	1773043	0		HARNES-MAIN {13105}
297	1771865	0	/P	SWITCH-PTO
298	1764899	0		BOOT-TERMINAL
300	1766184	0		COVER-SWITCH {13103,13104}
301	1772922	0		GROMMET
302	1757364	0	S	METER-HOUR {13105}
303	1725031	0	S	AMMETER {13105}
305	1709652	0		NUT-WING
306	1765258001	0	S	CLAMP-BATTERY
308	1766163	0	S	SCR-HOOK
309	1747738	0	/P	CLIP-J

13105 LTX HYDRO-LAWN TRACTOR (S/N 131050100101)
ELECTRICAL ASSEMBLY

Page 9 of 23

Ref #	Part Number	Qty	S/P/F	Description
311	1772002	0	/P	ASSM-HEADLIGHT
312	1765400	0	/P	LENSE-HEADLIGHT
313	1185712	0		SCR
362	1724492	0		SCR 1/4-20X.5 FL SELF TAP
391	1772387	0		BRACKET-SWITCH
398	1772906	0		CLIP-RETAINING
522	1772001	0	S	LIGHTBULB
523	1752875	0		SOCKET
536	1768969	0	S	FUSE
538	1764897	0	S	LIGHTBULB
571	1755616	0		ASSM-DIODE

13105 LTX HYDRO-LAWN TRACTOR (S/N 131050100101)
ENGINE ASSEMBLY



13105 LTX HYDRO-LAWN TRACTOR (S/N 131050100101)
ENGINE ASSEMBLY

Page 11 of 23

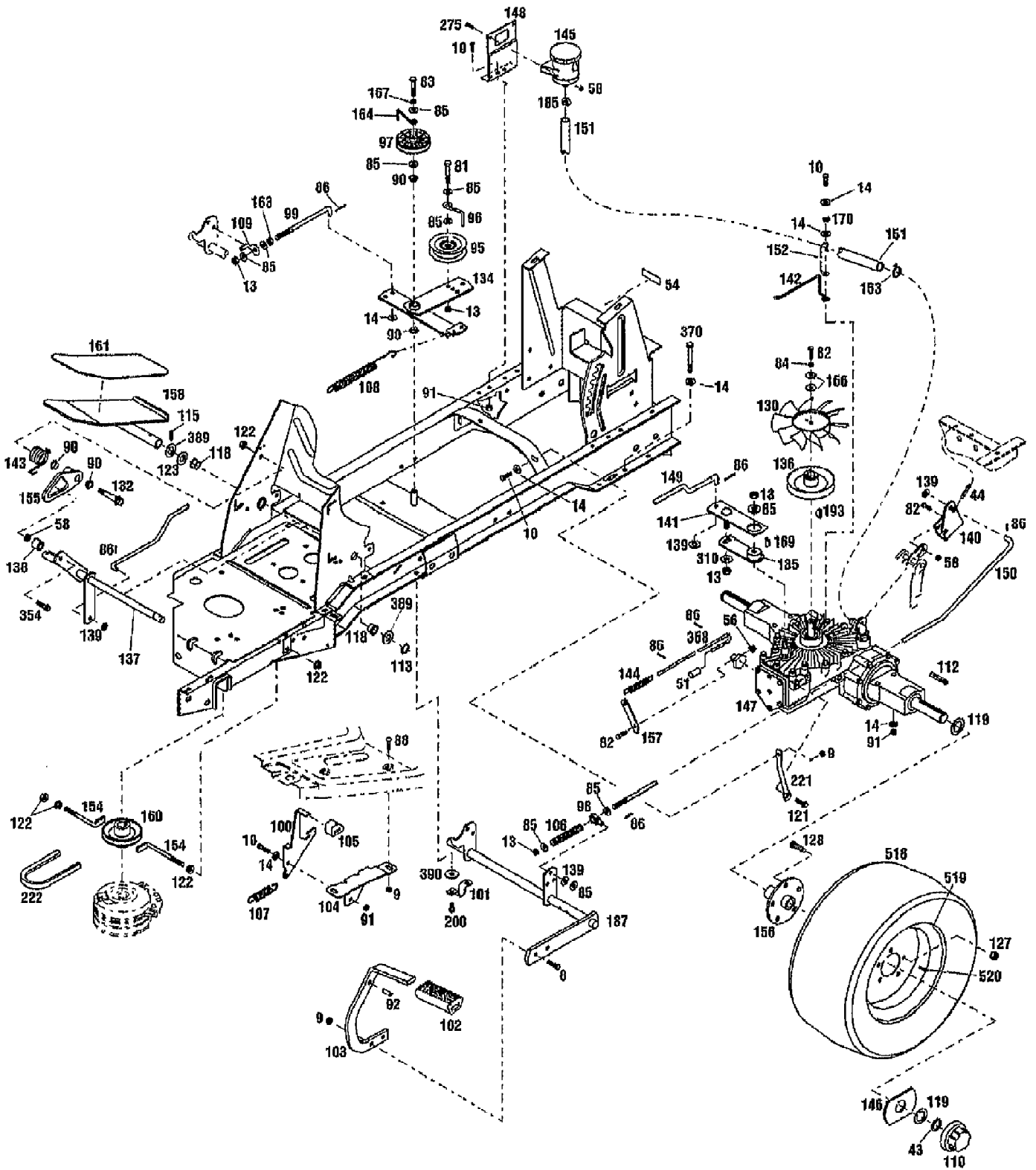
Ref #	Part Number	Qty	S/P/F	Description
85	1107383	0	S	WASHER-FLAT 3/8 SAE
89	1768830	0		INSULATION-FUEL LINE
114	1768194	0	S	SCR-THRD FRM 3/8-16X1.50
160	1766201	0		PULLEY-ENGINE
163	1186231	0	S	NUT-HEX 3/8-16 ZP
167	1100243	0	S	WASHER-LK .375 @ DEPL
219	1752694	0		TRIM
277	1185985	0	S	NUT W/LKWASHER 10-24 ZP
278	1735531	0	S	TIE-CABLE NYLON BLACK
315	1766341	0		PAD-FUEL TANK
316	1766188	0	/P	CAP-FUEL
317	1772814	0	/P	TANK-FUEL
318	1773575	0		CONTROL-THROTTLE
319	1773574	0		CONTROL-CHOKE
320	1769006	0	S	HOSE-OIL DRAIN
322	1768865	0	S	ASSM-OIL VALVE
323	1766121	0	/P	KNOB
324	1772816	0		MUFFLER
325	0	0	F	ENGINE, 16HP BRIGGS & STRATTON
327	1772388	0	S	CLUTCH-ELECTRIC
329	1744454	0	S	SCR-HH 7/16-20X3 G5 ZP
331	1772385	0	/P	CLUTCH-RETAINER
332	1104337	0	S	KEY-.25 SQ X 1.5
334	1100244	0	S	WASHER-LK .438 ZP
335	1762042	0		SCR-HH 3/8-16X1.0 THDFM
347	1773576	0		SCR-MACH 10-24X3/4
351	1750687	0	S	CLAMP-HOSE
352	1767879	0		LINE-FUEL
513	1727491	0	S	FILTER-FUEL
514	0	0	F	MUFFLER GASKET
515	1100069	0	S	SCR-HH 1/4-20X1.0
516	1100241	0	S	WASHER-LK .25 ZP
533	1738433	0	S	BUSHING-RUBBER
534	1751477	0	S	ELBOW-90 DEG (FUEL LINE)
535	1768804	0	S	VENT-FUEL TANK
539	1766326	0		CAP-OIL DRAIN

13105 LTX HYDRO-LAWN TRACTOR (S/N 131050100101)
FRAME ASSEMBLY

Page 13 of 23

Ref #	Part Number	Qty	S/P/F	Description
1	1772924001	0	/P	FRAME
2	1772850001	0		SUPPORT-REAR TANK
3	1772809001	0		ASSM-ATTACH BRACKET
4	1772807001	0		SHIELD-HEAT
5	1765431001	0		SUPPORT-FENDER {13103,13104}
5	1765431001	0		SUPPORT-FENDER {13105}
6	1772907001	0		SUPPORT-CONSOLE
7	1766086001	0		STOP-MOWER DECK {13105}
9	1186391	0	S	NUT-HFLK 5/16-18 ZP
10	1100044	0	S	SCR-HHC 5/16-18X.75 GR 5 ZP
?11	1185798	0		SCR-HH 3/8-16X.50
14	1107382	0	/P	WASHER-FLAT 5/16 SAE
27	1768826001	0		SHIELD-HEAT {13105}
56	1186389	0	/P	NUT-HF/LK 1/4-20 ZP
65	1186309	0	/P	SCR-HH 1/4-20X.625
91	1732499	0	/P	NUT-TOP/LK 5/16-18 ZP
93	1768834	0		GASKET-HEAT SHIELD {13105}
162	1767874001	0		SHIELD-HEAT UPPER {13105}
216	1768835	0		TRIM {13105}
217	1745366	0		HANGER-CABLE {13105}
219	1752694	0		TRIM {13105}
224	1768840	0		TRIM-HEAT SHIELD {13105}
236	1186329	0	S	SCR-HFLK 5/16-18X.75 ZP
309	1747738	0	/P	CLIP-J
333	1723384	0	S	WASHER-1.5X.343X.104
353	1772982001	0		SHIELD-HEAT {13105}

13105 LTX HYDRO-LAWN TRACTOR (S/N 131050100101)
HYDROSTATIC TRANSMISSION ASSEMBLY



13105 LTX HYDRO-LAWN TRACTOR (S/N 131050100101)
HYDROSTATIC TRANSMISSION ASSEMBLY

Page 15 of 23

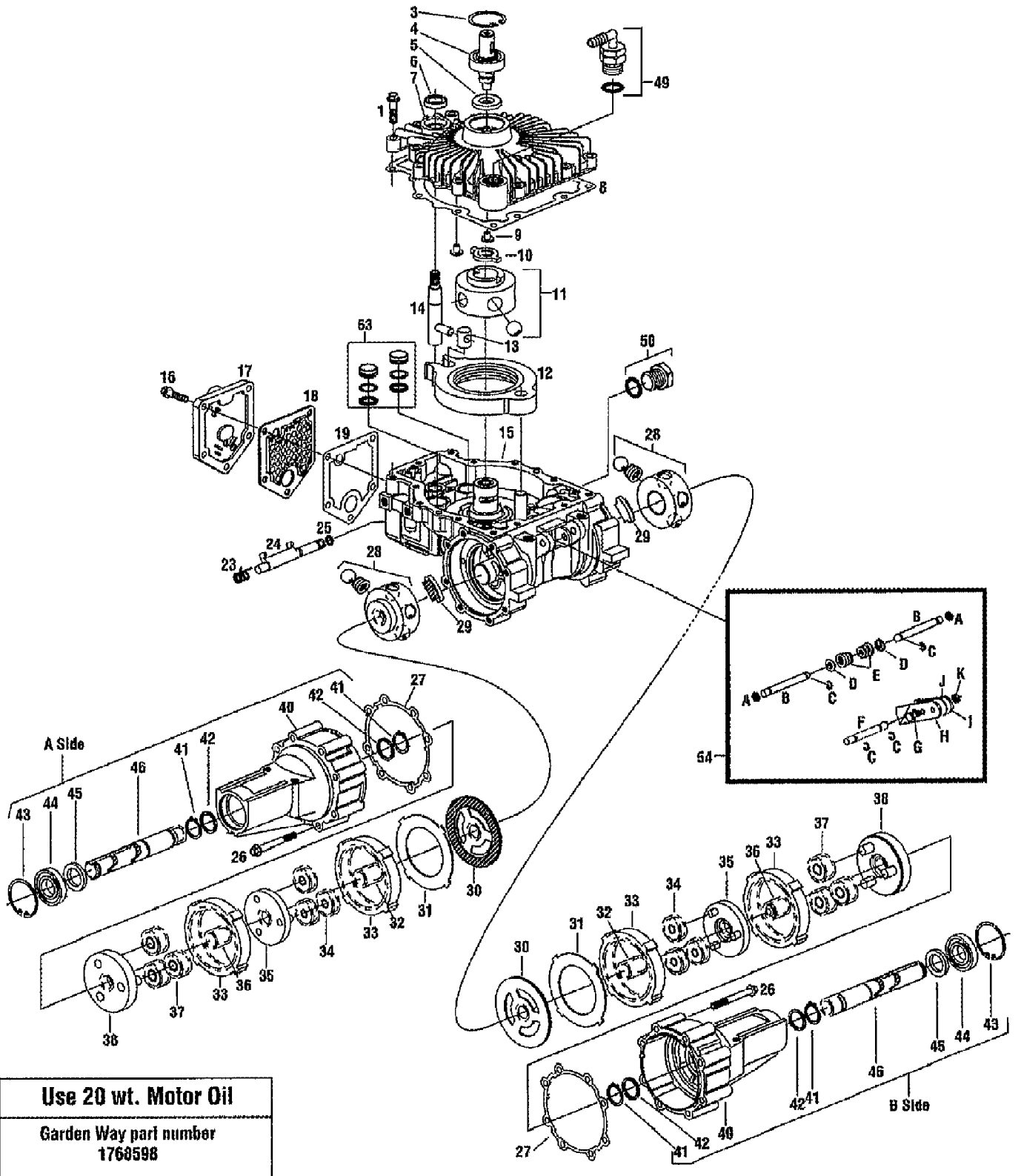
Ref #	Part Number	Qty	S/P/F	Description
8	1100045	0	S	SCR-HH 5/16-18X1.0 G5 ZP
9	1186391	0	S	NUT-HFLK 5/16-18 ZP
10	1100044	0	S	SCR-HHC 5/16-18X.75 GR 5 ZP
13	1733398	0	S	NUT-LOCK 3/8-16
14	1107382	0	/P	WASHER-FLAT 5/16 SAE
43	1185689	0		RING-HEAVY EXT HD 1.0 ID
44	1765307	0		SPRING-EXTENSION
51	1767984	0		GRIP-HANDLE
54	1767967	0		DECAL-TRANS RELEASE
56	1186389	0	/P	NUT-HF/LK 1/4-20 ZP
58	1734398	0	S	NUT-HT LK 1/4-20
81	1100048	0	S	SCR-HH 3/8-16X2.0 G5 ZP
82	1100069	0	S	SCR-HH 1/4-20X1.0
83	1100086	0	S	SCR-HH 3/8-16X1.75 G5 ZP
84	1100241	0	S	WASHER-LK .25 ZP
85	1107383	0	S	WASHER-FLAT 3/8 SAE
86	1100346	0	S	PIN-COTTER .09X.75 ZP
88	1186097	0	S	SCR-CARR 5/16-18X.62 G2 ZP
90	1715538	0	/P	BUSHING-.5X.5 NYLON FLNG
91	1732499	0	/P	NUT-TOP/LK 5/16-18 ZP
92	1770205	0		PIN-DRIVE .312X.75
95	1756151	0	/P	IDLER
96	1760096	0	/P	GUIDE-BELT
97	1760097	0	/P	PULLEY-IDLER
98	1751848	0		SWIVEL
99	1772460	0		ROD-CLUTCH
100	1771514	0		LATCH-BRAKE LOCK
101	1765156	0		CLIP-CLAMP .75 ID
102	1765167	0		PAD-FOOT PEDAL
103	1772741001	0		PEDAL-BRAKE
104	1765257	0		BRKT-BRAKE LOCK
105	1765297	0		PAD-BRAKE
106	1765305	0		SPRING-COMPRESSION
107	1985140	0		SPRING-EXTENSION
108	1765402	0	/P	SPRING-EXTENSION
109	1765461	0		ROD-PIVOT
110	1766215	0		CAP-HUB
112	1104338	0	S	KEY-.25 SQ X 2.0
113	1118808	0	/P	RING-RETAIN .625 ID
115	1120210	0		PIN-ROLL .188X1.0
118	1185802	0		BEARING-FLANGE
119	1185816	0	/P	WASHER-SPEC
121	1186327	0	/P	SCR-HFLK 5/16-18X.50 ZP
122	1186393	0	/P	NUT-HFLK 3/8-16 ZP
123	1715301	0	/P	WASHER-1.115X.637X.06
127	1753025	0	/P	NUT-LUG 7/16-20
128	1770283	0	/P	BOLT-WHEEL
130	1760370	0	/P	FAN-HYDRO TRANSMISSION
132	1763219	0	/P	SCR-SHLDR 3/8-16
134	1765064	0	/P	ARM-IDLER
135	1765067	0		ARM-HYDRO
136	1765072	0		PULLEY-HYDRO
137	1765079	0		SHAFT-HYDRO PIVOT

13105 LTX HYDRO-LAWN TRACTOR (S/N 131050100101)
HYDROSTATIC TRANSMISSION ASSEMBLY

Page 16 of 23

Ref #	Part Number	Qty	S/P/F	Description
138	1767807	0	/P	BEARING-BALL
139	1890945	0	S	WASHER-FLAT .375DIA
140	1765253	0		BRKT-BRAKE HYDRO
141	1765289	0		ARM-CONTROL HYDRO
142	1768836	0		GUIDE-BELT
143	1765306	0		SPRING-TORSION
144	1720928	0		SPRING
145	1772331	0		TANK-EXPANSION
146	1766242	0	/P	WASHER-SPECIAL .75X2.5
147	1772032	0		TRANSMISSION
148	1772378001	0		SUPT-EXPANSION TANK
149	1765353	0		ROD-CONTROL HYDRO
150	1772921	0		ROD-BRAKE
151	1772386	0		HOSE-5/8
152	1772375	0		SUPPORT-HOSE
153	1765478	0		CLAMP-HOSE 5/8
154	1765482	0	/P	RETAINER-CLUTCH
155	1766015	0		ARM-RETURN NEUTRAL HYDRO
156	1766019	0		HUB-WHEEL
157	1767909	0		VALVE-DUMP
158	1773231001	0		ASSM-PEDAL HYDRO
160	1766201	0		PULLEY-ENGINE
161	1772844	0		PAD-FOOT PEDAL
163	1186231	0	S	NUT-HEX 3/8-16 ZP
164	1767900	0		GUIDE-BELT
166	1720883	0	/P	WASHER-FLAT 1.25X.28X.062 ZP
167	1100243	0	S	WASHER-LK .375 @ DEPL
169	1100905	0		KEY-WOODRUFF .125X.5
170	1100242	0	S	WASHER-LK .312 ZP
185	1984024	0		CLAMP-HOSE
187	1772727	0		ASSM-BRAKE PEDAL
193	1185885	0	/P	KEY-WOODRUFF
200	1724491	0	S	SCR-HFLK 5/16-18X.75
221	1765165	0		SUPPORT-TRANSMISSION
222	1765349	0		BELT-V
275	1111599	0	S	SCR-HH 1/4-20X.625 G5 ZP
310	1185715	0	/P	WASHER-LK .375 PYRAMIDAL
354	1186313	0		SCR-HFLK 1/4-20X1.25 G5ZP
358	1767907	0	/P	ROD-DUMP VALVE
370	1111610	0	S	SCR-HH 5/16-18X3.0
389	1730375	0		WASHER-SHIM
390	1705108	0	S	WASHER-.632X.39X.0329
518	1768795	0		TIRE
519	1766131	0	/P	RIM-WHEEL REAR
520	1718086	0	S	STEM-VALVE

13105 LTX HYDRO-LAWN TRACTOR (S/N 131050100101)
HYDROSTATIC TRANSMISSION BREAKDOWN



13105 LTX HYDRO-LAWN TRACTOR (S/N 131050100101)
HYDROSTATIC TRANSMISSION BREAKDOWN

Page 18 of 23

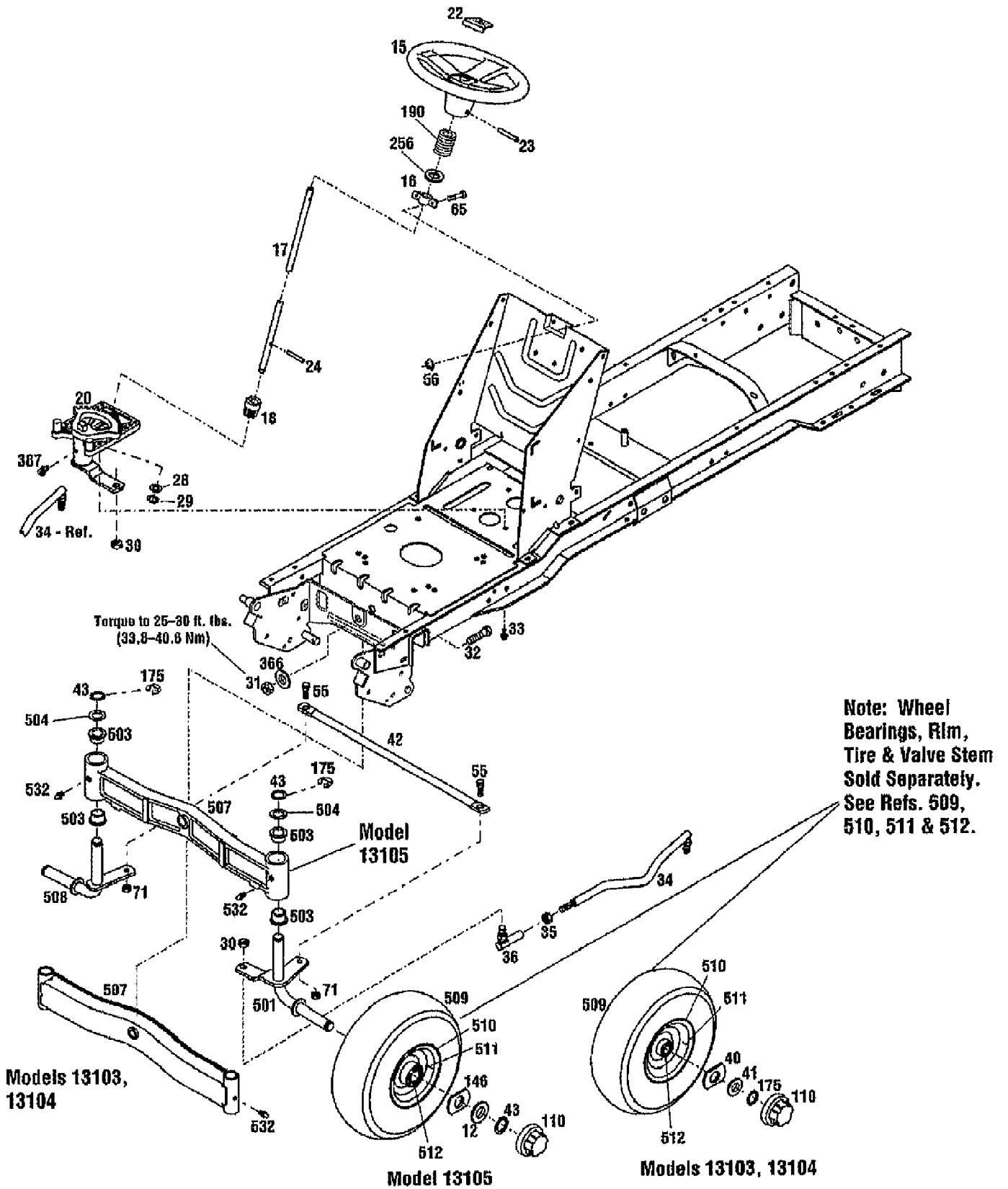
Ref #	Part Number	Qty	S/P/F	Description
1	1769200	0		SCR
3	1769201	0		RING-RETAINING
4	1760892	0		SHAFT-INPUT
5	1760893	0	S	SEAL-OIL
6	1757374	0		SEAL-CONTROL SHAFT
7	1769202	0		COVER
8	1769203	0	/P	COVER-GASKET
9	1769204	0		BUTTON
10	1769205	0		DRIVE
11	0	0		PUMP ROTOR/BALL/PIN (S/A)
12	0	0		CAM RING
13	1769208	0		INSERT
14	1769209	0		SHAFT-CONTROL EXT THREAD
15	1769211	0		HOUSING
16	1769212	0	F	SCR
17	0	0		FILTER BASE "L"
18	0	0		FILTER
19	0	0		GASKET
23	1769217	0		VALVE-SPRING DUMP
24	1757376	0	/P	BRACKET
25	1757377	0		RING-O
26	1769218	0		SCR
27	1769219	0		GASKET-AXLE HSG
28	1769220	0		15T MOTOR ROTOR/BALL
29	1769221	0		PAD-FRICTION
30	1769222	0	/P	PLATE-REACTION
31	1769223	0		PLATE-BACKUP
32	1769224	0		15T SUN GEAR, FIRST
33	1769225	0		GEAR-RING 57T
34	1769226	0		GEAR-PLANET
35	1769227	0		PRIMARY CARRIER
36	0	0		15T SUN GEAR, SECOND (STEEL)
37	0	0		21T PINT. GEAR (S/A) SECOND STEEL
38	1769230	0		SECOND CARRIER
40	1769231	0		AXLE-HOUSING
41	1769232	0		RING-RETAIN EXT
42	1769233	0		WASHER-THRUST
43	1769234	0		RING-RETAIN INT
44	1757700	0		BEARING
45	1769235	0	/P	SEAL-RADIAL LIP
46	1769236	0		AXLE-SHAFT
49	0	0		90 DEGREE FITTING/O-RING (S/A)
50	0	0		PLUG O-RING (S/A)
53	1769242	0		PISTON
54	0	0		BRAKE LEVER PARTS
54A	1769243	0		SEAL-QUAD
54B	1769244	0		ROD-PUSH
54C	1769245	0	S	RING-RETAIN "E"
54D	1769246	0		BASE-SPRING
54E	1769247	0		SPRING-CONICAL
54F	1769248	0		BRAKE-SHAFT
54G	1769249	0		SCR-HH
54H	1769250	0		LEVER-BRAKE RH

13105 LTX HYDRO-LAWN TRACTOR (S/N 131050100101)
HYDROSTATIC TRANSMISSION BREAKDOWN

Page 19 of 23

Ref #	Part Number	Qty	S/P/F	Description
54I	1769251	0		LEVER-BRAKE LH
54J	1769252	0	F	SHIM
54K	1769253	0		NUT-HEX LOCK
	1768598	0		OIL-SAE 20 HYDROSTATIC

13105 LTX HYDRO-LAWN TRACTOR (S/N 131050100101)
STEERING ASSEMBLY

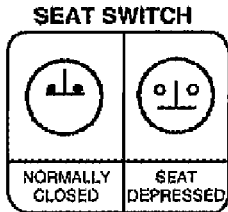
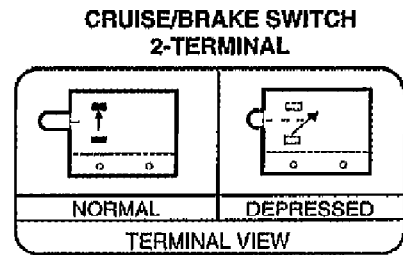
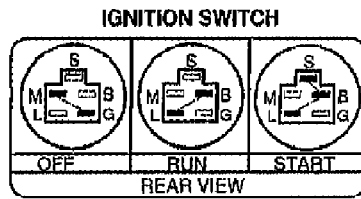
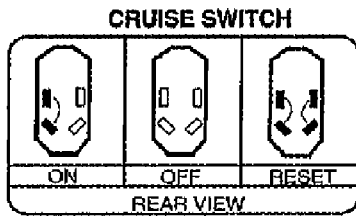


13105 LTX HYDRO-LAWN TRACTOR (S/N 131050100101)
STEERING ASSEMBLY

Page 21 of 23

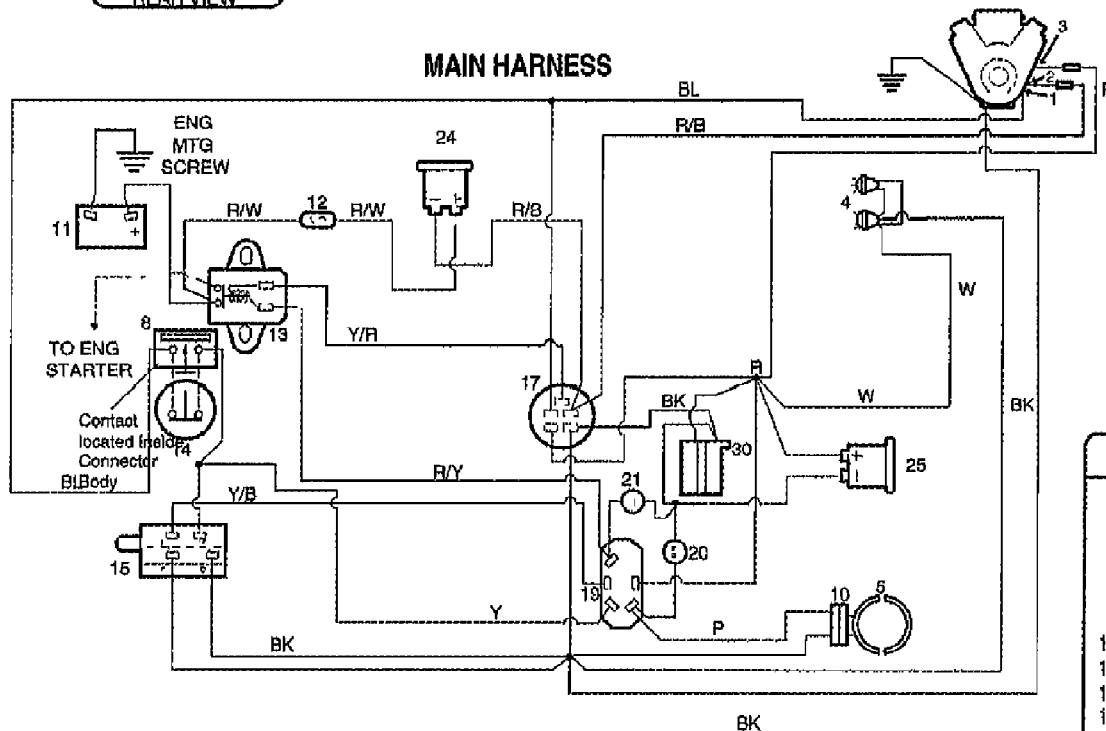
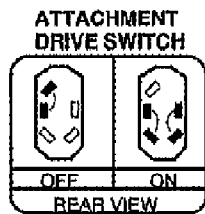
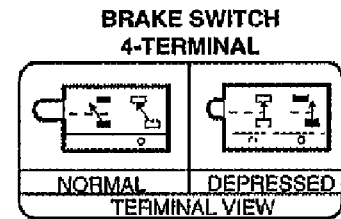
Ref #	Part Number	Qty	S/P/F	Description
12		0		UNKNOWN
15	1766027	0	/P	WHEEL-STEERING
16	1772929	0		BEARING
17	1765010	0	/P	SHAFT-STEERING
18	1771039	0		GEAR-PINION
?20	1771320	0	/P	ASSM-STEERING GEAR
22	1766221	0		CAP-STEERING
23	1185284	0	S	PIN-ROLL .25X2.25
24	1185348	0	S	PIN-ROLL 1/4 X 1-1/4
28	1705092	0	S	WASHER-1.0X.64X.09
29	1177567	0	S	RING-RETAINING
30	1768796	0	S	NUT-HEX/JAM 1/2-20
31	1758231	0	S	NUT-H/LK 5/8-11
32	1767953	0		SCR-HH
33	1766984	0	/P	SCR-HFLK 5/16-18X.75
34	1765315	0		LINK-DRAG
35	1186247	0	S	NUT-JAM
36	1716180	0		JOINT-BALL
40	1766241	0	/P	WASHER-SPEC .75X2.50 {13103,13104}
41	1185830	0	S	WASHER-1.38 X.765X .06 ZP {13103,13104}
42	1768883001	0	/P	ROD-TIE
43	1185689	0		RING-HEAVY EXT HD 1.0 ID {13105}
55	1894062	0	/P	SCR-SHOULDER
56	1186389	0	/P	NUT-HF/LK 1/4-20 ZP
65	1186309	0	/P	SCR-HH 1/4-20X.625
71	1110150	0	S	NUT-LOCK
110	1766215	0		CAP-HUB
146	1766242	0	/P	WASHER-SPECIAL .75X2.5 {13105}
175	1185388	0	S	RING-RET."E".577 ID {13103,13104}
190	1748415	0		SPRING-COMPRESSION
256	1705093	0	S	WASHER-1.0X.64X.029
366	1100266	0	S	WASHER-1.75X.687X.134 ZP
387	1731504	0	S	FITTING-GREASE 90 DEGREE
501	1765263001	0		ASSM-SPINDLE LH {13103,13104}
501	1765316001	0		SPINDLE-WHEEL LH {13105}
503	1764140	0	/P	BUSHING {13103,13104}
503	1752556	0		BEARING-FLANGE {13105}
504	1701447	0	/P	WASHER-1.25X.765X.049 {13103,13104}
504	1703073	0	/P	WASHER-THRUST {13105}
507	1765169001	0		AXLE-FRONT {13103,13104}
507	1772154001	0		AXLE-FRONT {13105}
508	1765004001	0		ASSM-SPINDLE WHEEL RH {13103,13104}
508	1765317001	0		SPINDLE-WHEEL RH {13105}
509	1762254	0	S/F	TIRE 15X6.00-6RS {13103,13104}
509	1768792	0	S/F	TIRE-16X6.50-8 {13105}
510	1767276	0	/P/F	DISC WHEEL {13103,13104}
510	1766073	0	F	RIM-WHEEL {13105}
511	1718086	0	S/F	STEM-VALVE
512	1185616	0	S/F	BEARING-BALL W/SEAL {13103,13104}
512	1756524	0	/P/F	BEARING-BALL {13105}
532	1185976	0	S/F	FITTING-GREASE 1/4-28X2.00

WIRING DIAGRAM



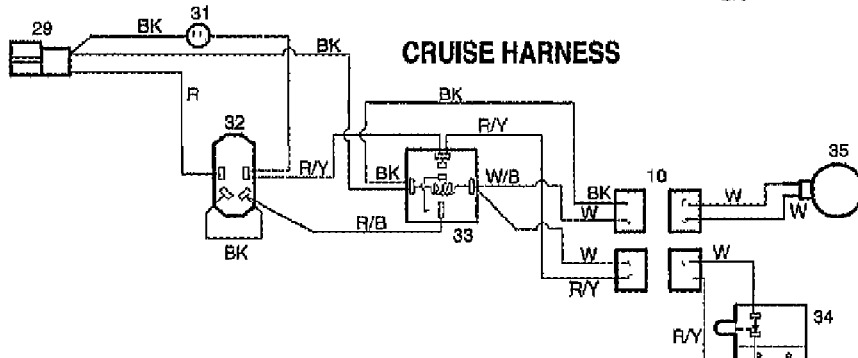
WIRE COLOR CODE

BK	Black
BL	Blue
P	Purple
R	Red
W	White
Y	Yellow
R/W	Red/White
R/B	Red/Black
R/Y	Red/Yellow
Y/R	Yellow/Red
W/B	White/Black
Y/B	Yellow/Black



ITEM CODE

1	Magneto
2	Alternator
3	Fuel Solenoid
4	Headlights
5	Attachment Clutch
8	Seat Plug with Switch
10	Connector
11	Battery
12	Fuse
13	Start Solenoid
15	Brake Switch
17	Key Switch
19	Attachment Switch
20	Attachment Light
21	Start Light
24	Ammeter
25	Hourmeter
29	Cruise Socket
30	Cruise Plug
31	Cruise Light
32	Cruise Switch
33	Cruise Relay
34	Cruise/Brake Switch
35	Cruise Magnet



13105 LTX HYDRO-LAWN TRACTOR (S/N 131050100101)
WIRING DIAGRAM

Page 23 of 23

Ref #	Part Number	Qty	S/P/F	Description
	0	0		ILLUSTRATION ONLY