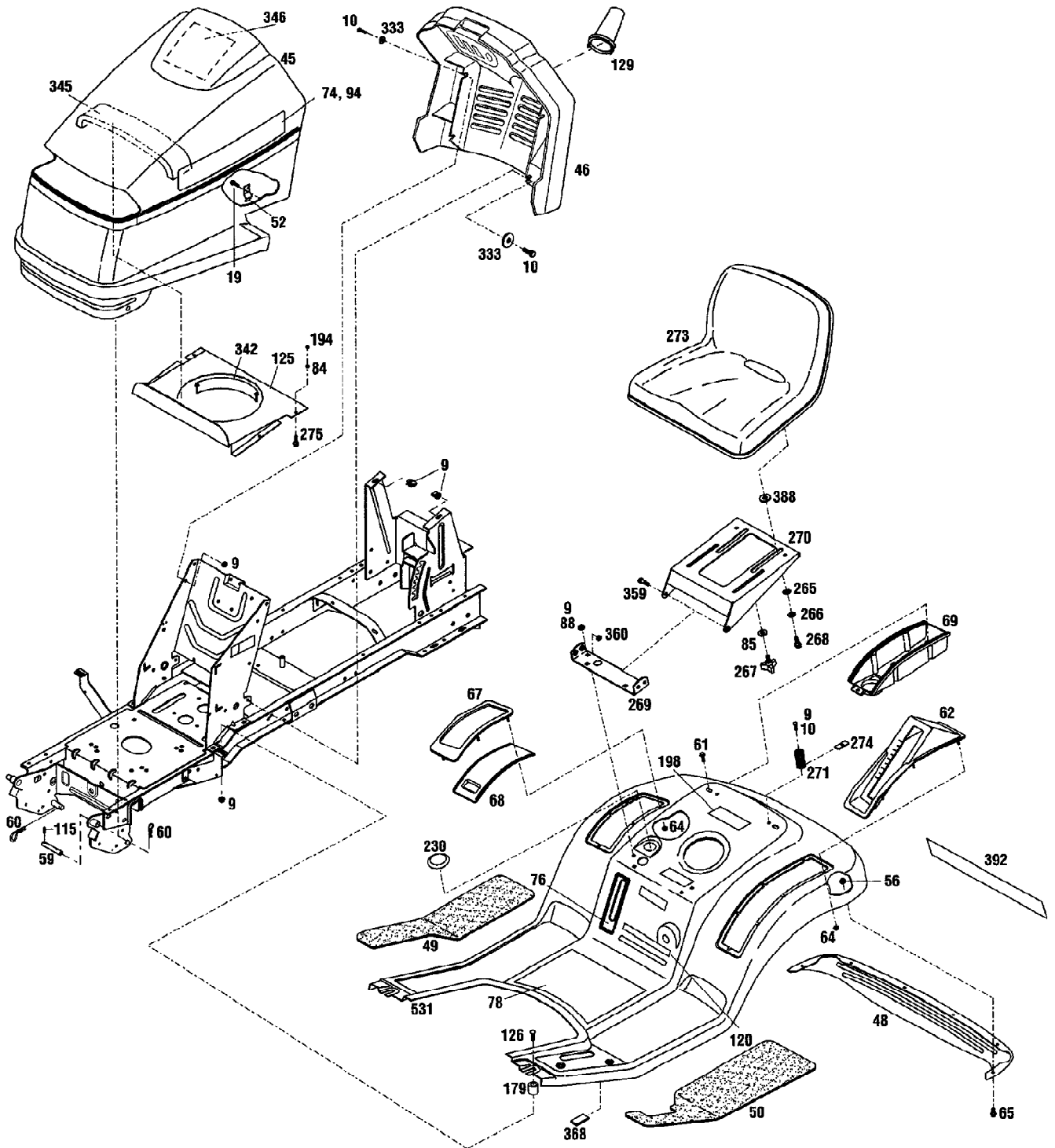


13105 16HP HydroStatic LTX Tractor (S/N 131051200101 - 131051299999) Page 2 of 24
16 HP Engine Assembly

Ref #	Part Number	Qty	S/P/F	Description
85	1107383	1	S	Flat Washer, 318
89	1768830	1		Fuel Line Insulation
114	1768194	2	S	Thread-Forming Screw, 318 x 1-1/2
160	1766201	1		Engine Sheave
163	1186231	1	S	Hex Nut, 3/8-16
167	1100243	1	S	Lockwasher, 3/8
219	1752694	1		Trim
277	1185985	4	S	Keps Locknut,10-24
278	1735531	3	S	Cable Tie
315	1766341	1		Fuel Tank Pad
316	1766188	1	/P	Fuel Cap
317	1772814	1	/P	Fuel Tank (Incl. Refs. 533, 534 & 535)
318	1773575	1		Throttle Control
319	1773574	1		Choke Control
320	1769006	1	S	Oil Drain Hose
322	1768865	1	S	Oil Valve Assembly (Incl. Ref. 539)
323	1766121	2	/P	Control Knob
324	1772816A	1		Muffler (Twin Inlet)
327	1772388	1	S	Electric Clutch
329	1744454	1	S	Hex Head Screw, 7/16-20 x 3-1/4
331	1772385	1	/P	Clutch Retainer
332	1104337	1	S	Square Key, 1/4 x 1-1/2
334	1100244	1	S	Spring Lock Washer, 7/18
335	1762042	2		Hex Head Screw, 3/8-18 x 1
347	1773576	4		Machine Screw, 10-24 x 3/4
351	1750687	2	S	Hose Clamp
352	1767879	1		Fuel Line
513	1727491	1	S	Fuel Filter
515	1100069	4	S	Hex Head Screw, 1/4-20 x 1
516	1100241	4	S	Lockwasher, 1/4
533	1738433	1	S	Bushing
534	1751477	1	S	Fuel Tank Show
535	1768804	1	S	Fuel Tank Vent
539	1766326	1		Oil Drain Cap
998	710-0148	4	/P	Self Tapping Screw, #8-32 x 3/8
999	751-0564	1	S	Muffler Deflector



Ref #	Part Number	Qty	S/P/F	Description
9	1186391	12	S	Flange Nut, 5/16-18
10	1100044	8	S	Hex Head Screw, 5/16-18 x 3/4
19	1772878	4		Self Threading Screw, #10
45	1765382	1		Hood
46	1772896	1		Console
48	1765331010	1		Rear Fender Trim
49	1772846	1		Right Foot Pad
50	1772845	1	/P	Left Foot Pad
52	1773591	2		Latch
56	1186389	8	/P	Flange Nut, 1/4-20
?57	1761680	2	S	Self Threading Nut, 5/16-18
59	1773226	1	/P	Hood Pivot Pin
60	1723478	3	/P	Cotter Spring, 1/8
61	1186330	2	S	Screw, 5/16-18 x 7/8
62	1772979	1	/P	Lift Handle Cover Model 13123, Model 13104
?63	1901900	1	/P	American Legend Decal
64	1750532	12	S	Self-Threading Nut, 1/4
65	1186309	4	/P	Flange Screw, 1/4-20 x 1/2
67	1765493	1		Storage Top
68	1765492	1		Container Cover
69	1765494	1		Storage Container
74	191-5781	1		Logo Decal, L.H.
76	1773205	1		Fuel Level Decal
78	1772965	1		Tunnel Decal Model 13123, Model 13104
	1772966	1		Tunnel Decal Model 13105
84	1100241	2	S	Lockwasher, 1/4 SAE Model 13123, Model 13104
	1100241	4	S	Lockwasher, 1/4 SAE Model 13105
85	1107383	2	S	Flat washer, 3/8
88	1186097	4	S	Carriage Bolt, 5/16-18 x 5/8
94	191-5780	1		Logo Decal, R.H.
115	1120210	1		Drive Pin, 3/16 x 1
120	1773223	1		Height Indicator Decal
125	1773622001	1		Upper Heat Shield Model 13105
126	1186469	2	S	Carriage Bolt, 5/16-18 x 3/4
129	1773236	1		Steering Cover
?133	1723384	4	S	Washer
179	1730681	2	/P	Spacer
194	1186229	2	S	Hex Nut, 1/4-20 Model 13123, Model 13104
	1186229	4	S	Hex Nut, 1/4-20 Model 13105
198	1767876	1		Fuel Decal
230	1768787	1		Cap
265	1705793	2		Nylon Washer, 3/8
266	1706782	2	/P	Bowed Washer, 3/8
267	1734269	2		Adjusting Knob
268	1754125	2	/P	Shoulder Bolt, 3/8-18 x 1/2
269	1766075001	1		Seat Bracket
270	1766074001	1	/P	Seat Support
271	1766077	2	/P	Compression Spring
273	1774127	1		High Back Seat
274	1766347	2	/P	Spring Hold-Down Bracket

13105 16HP HydroStatic LTX Tractor (S/N 131051200101 - 131051299999) Page 5 of 24
Body & Trim Assembly

Ref #	Part Number	Qty	S/P/F	Description
275	1111599	2	S	Screw, 1/4-20 x 5/8 Model 13123, Model 13104
	1111599	4	S	Screw, 1/4-20 x 5/8 Model 13105
333	1723384	4	S	Flat Washer, 5/16 x 1-1/2
342	1767897	1		Heat Shield Gasket Model 13105
345	1767898	1		Sealing Strip Model 13105
346	1773105	1		Service Decal
359	1100913	2	S	Hex Head Screw, 3/8-18 x 7/8
360	1110108	2	S	Locknut, 3/8-16
368	1767995	1		Pad
388	1893445	2	S	Flat Washer, 3/8
392	1915505	1		Decal, Model Model 13123
	1772804	1		Decal, Model Model 13104
	1772805	1		Decal, Model Model 13105
531	1772963	1		Rear Fender (Incl. Refs. 78 & 198); Model 13123, Model 13104
	1772964	1		Rear Fender (Incl. Refs. 78 & 198); Model 13105
?600	1735222	1	/P	Black Spray Paint, 13 oz. Not included with unit-order separately.
?601	1900706	1	S	Red Spray Paint, 13 oz. Not included with unit-order separately.

13105 16HP HydroStatic LTX Tractor (S/N 131051200101 - 131051299999) Page 7 of 24
Eaton 751 Hydro Transmission Assembly (Part 1)

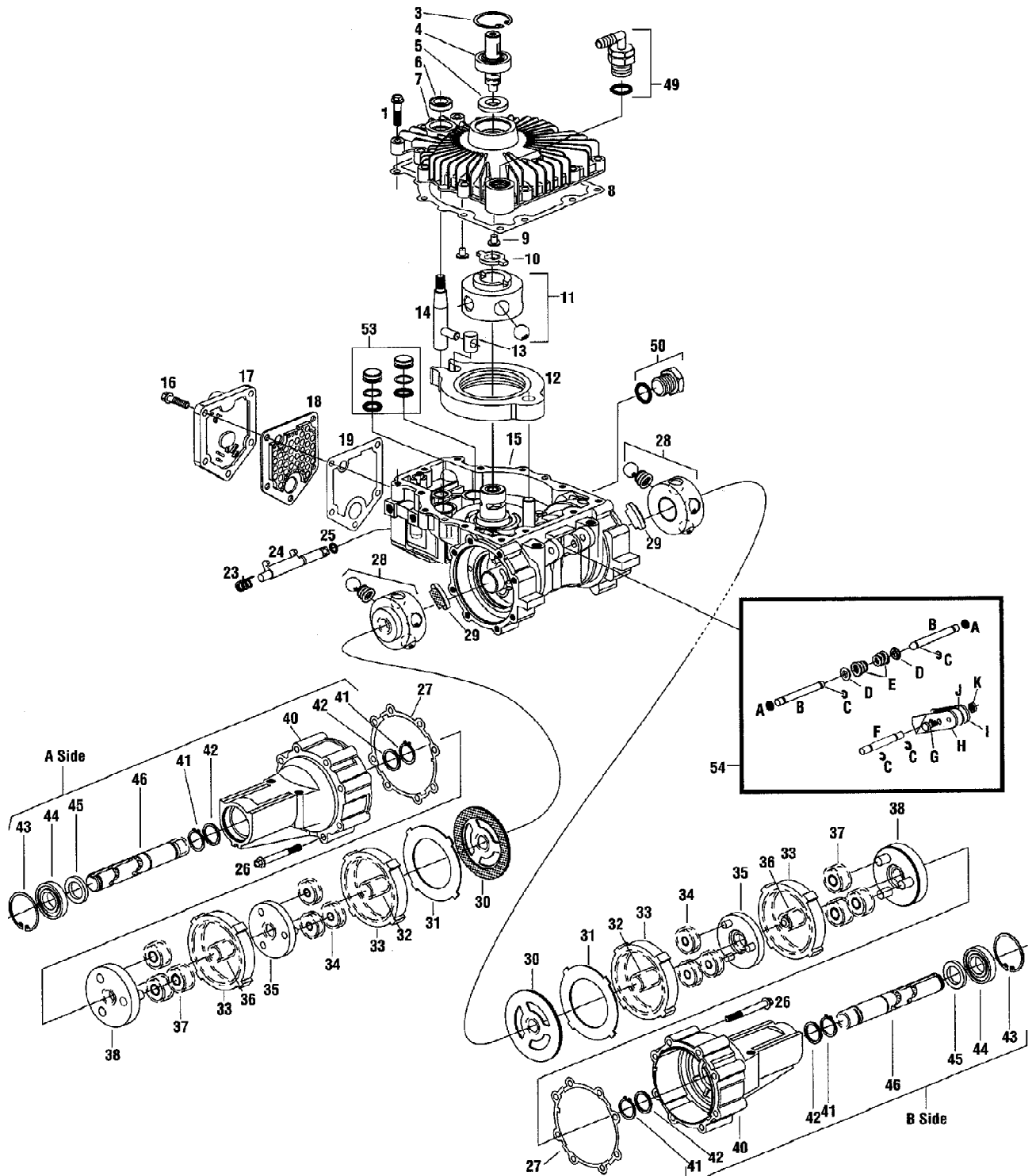
Ref #	Part Number	Qty	S/P/F	Description
8	1100045	2	S	Hex Head Screw, 5/16-18 x 1
9	1186391	3	S	Flange Nut, 5/16-18
10	1100044	5	S	Hex Head Screw, 5/16-18 x 3/4
13	1733398	5	S	Hex Top Locknut, 3/8-16
14	1107382	15	/P	Flat Washer, 5/16
43	1185689	2		Retaining Ring, 3/4
44	1765307	1		Extension Spring
51	1767984	1		Handle Grip
54	1767967	1		Decal, Transmission Release
56	1186389	1	/P	Flange Nut, 1/4-20
58	1734398	5	S	Top Lock Nut, 1/4-20
81	1100048	1	S	Hex Capscrew, 3/8-18 x 2
82	1100069	4	S	Hex Capscrew, 1/4-20 x 1
83	1100088	1		Hex Capscrew, 3/8-16 x 1-3/4
84	1100241	1	S	Lockwasher, 1/4 SAE
85	1107383	11	S	Flat Washer, 3/8
86	1100346	8	S	Cotter Pin, 3/32 x 3/4
88	1186097	2	S	Carriage Bolt, 5/16-18 x 5/8
90	1715538	4	/P	Nyliner Bushing
91	1732499	7	/P	Locknut, 5/16-18
92	1770205	1		Drive Pin, 5/16 x 3/4
95	1756151	1	/P	Idler Pulley
96	1760096	1	/P	Belt Guide
97	1760097	1	/P	Idler Pulley
98	1751848	1		Swivel
99	1772460	1		Clutch Rod
100	1771514	1		Brake Lock Latch
101	1765156	2		Clip, 3/4
102	1765167	1		Foot Pedal Pad
103	1772741001	1		Brake Pedal
104	1765257	1		Brake Lock Bracket
105	1765297	1		Parking Brake Pedal Pad
106	1765305	1		Compression Spring
107	1985140	1		Extension Spring
108	1765402	t	/P	Extension Spring
109	1765461	1		Pivot Rod
110	1766215	2		Hub Cap
112	1104338	2	S	Square Key, 1/4 x 2
113	1118808	1	/P	Retaining Ring, 5/8
?115	1120210	1		Drive Pin, 3/16 x 1
118	1185802	2		Flange Bearing, 5/8
119	1185816	6	/P	Washer, 1-1/64
121	1186327	1	/P	Lock Screw, 5/16-18 x 1/2
122	1186393	5	/P	Flange Nut, 3/8-16
?123	1715301	1	/P	Thrust Washer, 5/8 x 1/1/8
127	1753025	10	/P	Lug Nut, 7/16-20
128	1770283	10	/P	Wheel Stud
130	1760370	1	/P	Fan
132	1763219	1	/P	Shoulder Screw
134	1765064	1	/P	Idler Arm Assembly
135	1765067	1		Hydro Arm
136	1765072	1		Eaton Hydro Sheave
137	603-0640	1		Hydro Pivot Shaft

13105 16HP HydroStatic LTX Tractor (S/N 131051200101 - 131051299999) Page 8 of 24
Eaton 751 Hydro Transmission Assembly (Part 1)

Ref #	Part Number	Qty	S/P/F	Description
138	1767807	1	/P	Ball Bearing
139	1890945	5	S	Flat Washer, 3/8
140	1765253	1		Hydro Brake Bracket
141	1765289	1		Hydro Control Arm
142	1768836	1		Belt Guide
143	1765306	1		Torsion Spring
144	1720928	1		Extension Spring
145	1772331	1		Expansion Tank
146	1766242	2	/P	Special Washer, 1 x 2 1/2
147	1772032	1		Transmission, Eaton 751 (See breakdown, "Eaton 751 Hydro Transmission Assembly" illustration and parts list.)
148	1772378001	1		Expansion Tank Support
149	1765353	1		Hydro Control Rod
150	1772921	1		Brake Rod
151	1772386	1		Hose, 5/8
152	1772375	1		Hose Support
153	1765478	1		Hose Clamp, 5/8
154	1765482	2	/P	Belt Guide
155	1766015	1		Hydro Neutral Return
156	1766019	2		Wheel Hub
157	1767909	1		Dump Valve
?158	1773231001	1		Hydro Pedal
160	1766201	1		Engine Sheave
161	1772844	1		Foot Pedal Pad
163	1188231	1		Hex Nut, 3/8-16
164	1767900	1		Belt Guide
166	1720883	2	/P	Washer, 1/4 x 1-1/4
167	1100243	1	S	Lockwasher, 3/8
169	1100905	1		Woodruff Key, 1/8 x 1/2
170	1100242	1	S	Lockwasher, 5/16
185	1984024	1		Hose Clamp
187	1772727	1		Brake Pedal Assembly
193	1185885	1	/P	Woodruff Key, 3/16 x 5/8
200	1724491	4	S	Flange Screw, 5/16-18 x 3/4
221	1765165	1		Transmission Support
222	1765349	1		V-Belt
275	1111599	2	S	Hex Head Screw, 1/4-20 x 5/8
310	1185715	1	/P	Lockwasher, 3/8
354	1186313	1		Flange Screw, 1/4-20 x 1-1/4
358	1767907	1	/P	Dump Valve Rod
370	1111610	4	S	Capscrew, 5/16-18 x 3
389	1730375	2		Flat Washer, 5/8
390	1705108	4	S	Flat Washer, 3/8
400	738-0322	1	S	Shoulder Screw, 5/8 x 2
401	736-0349	1	S	Flat Washer, 5/8
402	736-0349	1	S	Flat Washer, 5/8
403	741-0495	2	/P	Flange Bearing
404	603-0641	1		Hydrostatic Foot Pedal
405	732-0395	1	S	Extension Spring
406	1120210	1		Roll Pin
407	603-0637	1		Cam Assembly
518	1768795	2		Tire, 23 x 10.5-12, Multi Trac CS

13105 16HP HydroStatic LTX Tractor (S/N 131051200101 - 131051299999) Page 9 of 24
Eaton 751 Hydro Transmission Assembly (Part 1)

Ref #	Part Number	Qty	S/P/F	Description
519	1766131	2	/P	Rim
520	1718086	2	S	Valve Stem

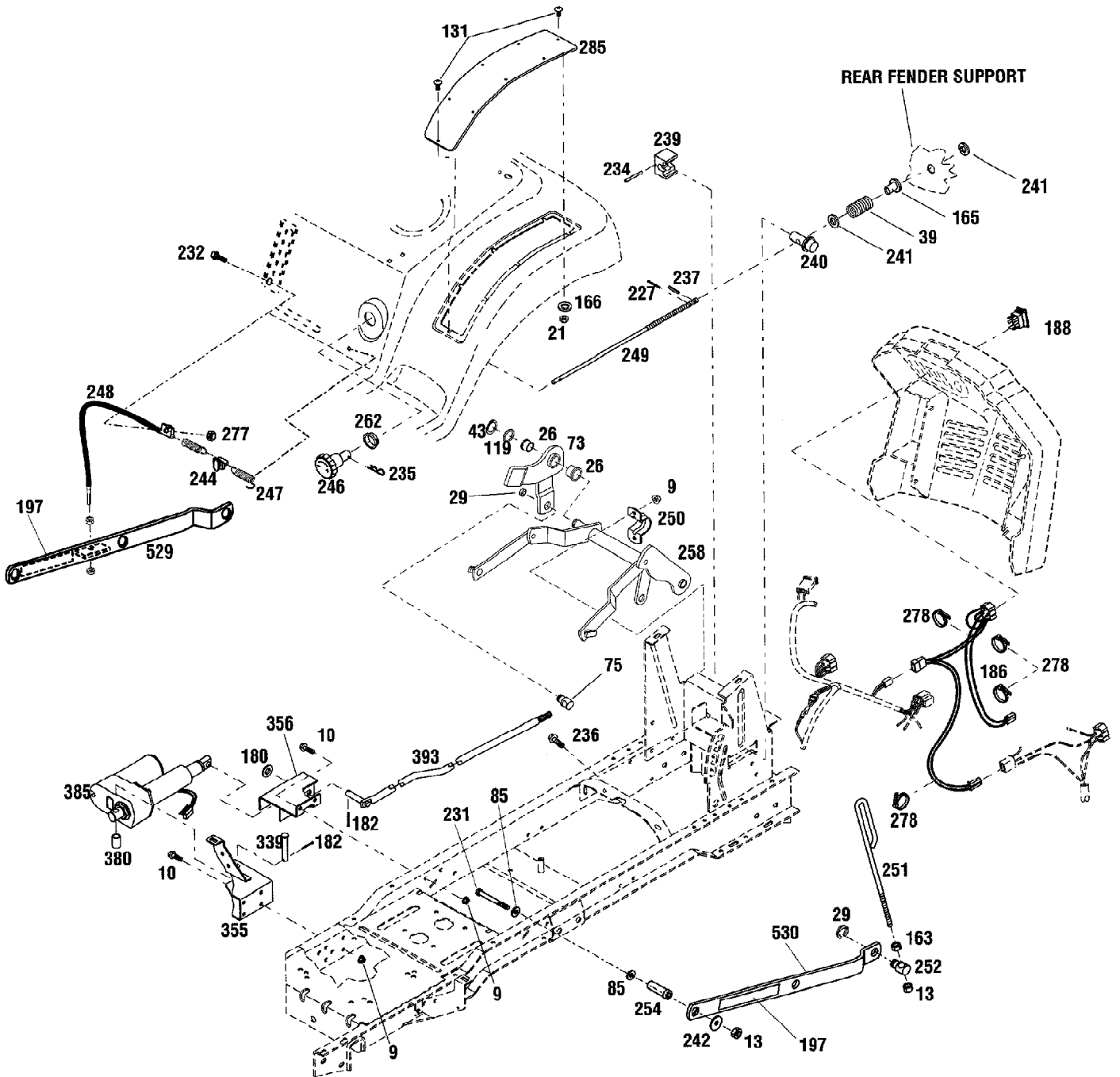


13105 16HP HydroStatic LTX Tractor (S/N 131051200101 - 131051299999) Page 11 of 24
Eaton 751 Hydro Transmission Assembly (Part 2)

Ref #	Part Number	Qty	S/P/F	Description
1	1769200	13		Self Tapping Screw, 1/4-20
3	1769201	1		Ring, Retaining, Internal
4	1760892	1		Shaft, Input (S/A)
5	1760893	1	S	Seal Input Shaft
6	1757374	1		Seal, Control Shaft
7	1769202	1		Cover
8	1769203	1	/P	Gasket, Cover
9	1769204	2		Button
10	1769205	1		Drive
11		1		Pump Rotor/Ball/Pin (S/A)
12		1		Cam Ring
13	1769208	1		Insert
14	1769200	1		Control Shaft, External Thread
15	1769211	1		Housing (S/A)
16	1769212	A/R		Screw, 1/4-20 Hex Range
17		1		Filter Base "L"
18		1		Filter
19		1		Gasket
23	1769217	1		Spring, Dump Valve
24	1757376	1	/P	Bracket, Dump Valve
25	1757377	1		Seal, O-ring
26	1769218	16		Screw, 5/16 Hex Range
27	1769219	2		Gasket, Axle Housing
28	1769220	2		15T Motor Rotor/Ball (S/A)
29	1769221	2		Pad, Friction (S/A)
30	1769222	2	/P	Reaction, Plate
31	1769223	2		Plate, Backup
32	1769224	2		15T Sun Gear, First
33	1769225	4		Gear, Ring 57T
34	1769226	8		21T Planet Gear (S/A) First
35	1769227	2		15T Primary Carrier (S/A)
36		2		15T Sun Gear, Second (Steel)
37		8		21T Pint. Gear (S/A) Second (Steel)
38	1769230	2		Secondary Carrier (S/A)
40	1769231	1		Axle Housing (S/A) A-Side & B-Side
41	1769232	4		Ring, Retaining, External
42	1769233	4		Thrust Washer
43	1769234	2		Ring, Retaining, Internal
44	1757700	2		Bearing, Ball
45	1769235	2	/P	Seal, Radial Lip
46	1769236	1		Shaft, Axle-A-Side
49		1		90° Fitting/O-ring (S/A)
50		1		Plug/O-ring (S/A)
53	1769242	1		Piston, (S/A)
54		1		Brake Lever Parts
A	1769243	2		Quad Seal
B	1769244	2		Rod, Push
C	1769245	4	S	E-Ring
D	1769246	2		Spring Base (S/A)
E	1769247	2		Spring Conical
F	1769248	1		Shaft, Brake
G	1769249	1		Screw, Cap, Hex
H	1769250	1		Lever, Brace, R.H.

13105 16HP HydroStatic LTX Tractor (S/N 131051200101 - 131051299999) Page 12 of 24
Eaton 751 Hydro Transmission Assembly (Part 2)

Ref #	Part Number	Qty	S/P/F	Description
I	1769251	1		Lever, Brake, L.H.
J	1769252	A/R		Shim
K	1769253	1		Nut, Hex, Lock

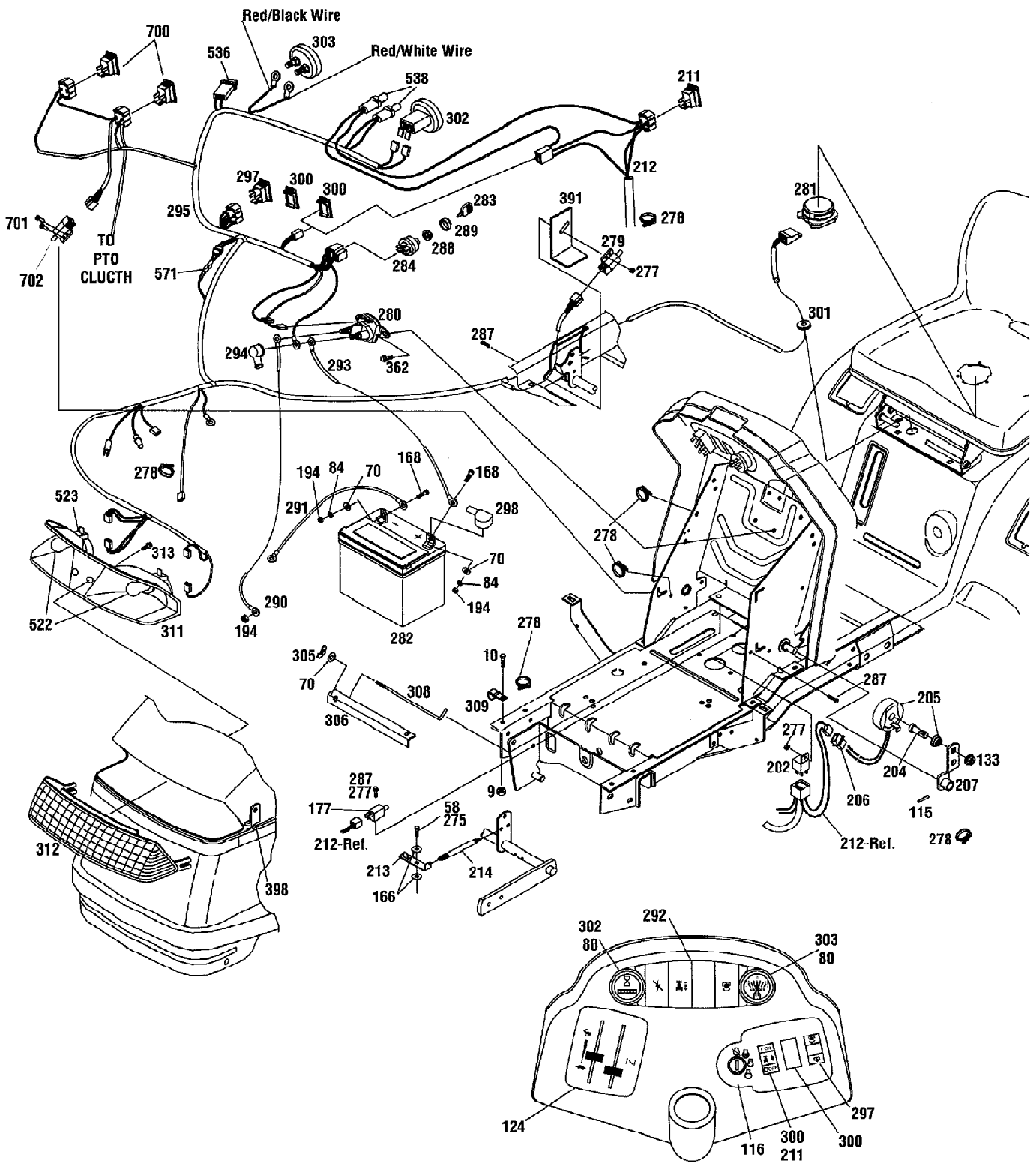


13105 16HP HydroStatic LTX Tractor (S/N 131051200101 - 131051299999) Page 14 of 24
Electric Lift Assembly

Ref #	Part Number	Qty	S/P/F	Description
9	1186391	10	S	Flange Nut, 5/16-18
10	1100044	8	S	Hex Head Screw, 5/16-18 x 3/4
13	1733398	4	S	Hex Top Locknut 3/8-16
21	1817146	8	S	Nylon Locknut, 1/4-20
26	1752556	2		Flange Bushing
29	1177567	3	S	E-Ring, 5/8
39	1721492	1	/P	Compression spring
43	1185689	1		Retaining Ring
73	1773025	1		Pivot Arm Assembly
75	1770696	1		Pivot Block
85	1107383	4	S	Flat Washer, 3/8
119	1185816	1	/P	Flat Washer 1-1/64
131	1772882	8	S	Screw, 1/4-20 x 5/8
163	1186231	2	S	Hex Nut, 3/8-18
165	1715716	1	/P	Nyliner Bushing
166	1720883	1	/P	Flat Washer, 1/4
180	1107385	1	S	Flat Washer, 1/2
182	1100350	2	S	Cotter Pin, 1/4 x 1
186	1771081	1	/P	Actuator Harness
188	1771668	1		Rocker Switch
197	1773104	2		Warning Decal
227	1100349	1	S	Cotter Pin, 1/8 x 3/4
231	1111614	2	S	Hex Head Screw, 3/8-16 x 3
232	1773610	1	S	Screw, 10-24 x 5/16
234	1185376	1	/P	Drive Pin
235	1817091	1		Hitch Pin
236	1186329	4	S	Flange Screw 5/16-18 x 3/4
237	1187961	1	/P	Drive Pin
239	1766259	1		Height Adjust Collar
240	1766257	1		Height Adjust Block
241	1738490	2	/P	Flat Washer, 1/2 x 1
242	1763355	2	S	Flat Washer, 3/8 x 1-1/2
244	1773201	1	/P	Height Indicator
246	1765485	1	/P	Height Adjust Knob
247	1773206	1		Extension Spring
248	1773183	1		Cable Assembly
249	1773133	1	/P	Height Adjust Screw
250	1772806	2		Lift Clamp
251	1772866	2		Lift Rod
252	1772438	2	/P	Rear Lift Swivel
254	1766080	2		Spacer
258	1772970001	1		Lift Assembly
262	1766346	1		Snap Bushing Grommet
277	1185958	1		Keps Nut,10-24
278	1735531	2	S	Cable Tie
285	1773064	1		Cover
339	1706621	1		Clevis Pin, 1/2
355	1770688001	1		Front Support
356	1771799001	1		Rear Support
380	1770694	1		Spacer
385	1771678	1		Actuator
393	1772978	1		Lift Rod
529	1773524	1		Lift Link Assembly RH (Incl. 197)

13105 16HP HydroStatic LTX Tractor (S/N 131051200101 - 131051299999) Page 15 of 24
Electric Lift Assembly

Ref #	Part Number	Qty	S/P/F	Description
530	1772962	1		Lift Link Assembly LH (Incl. 197)

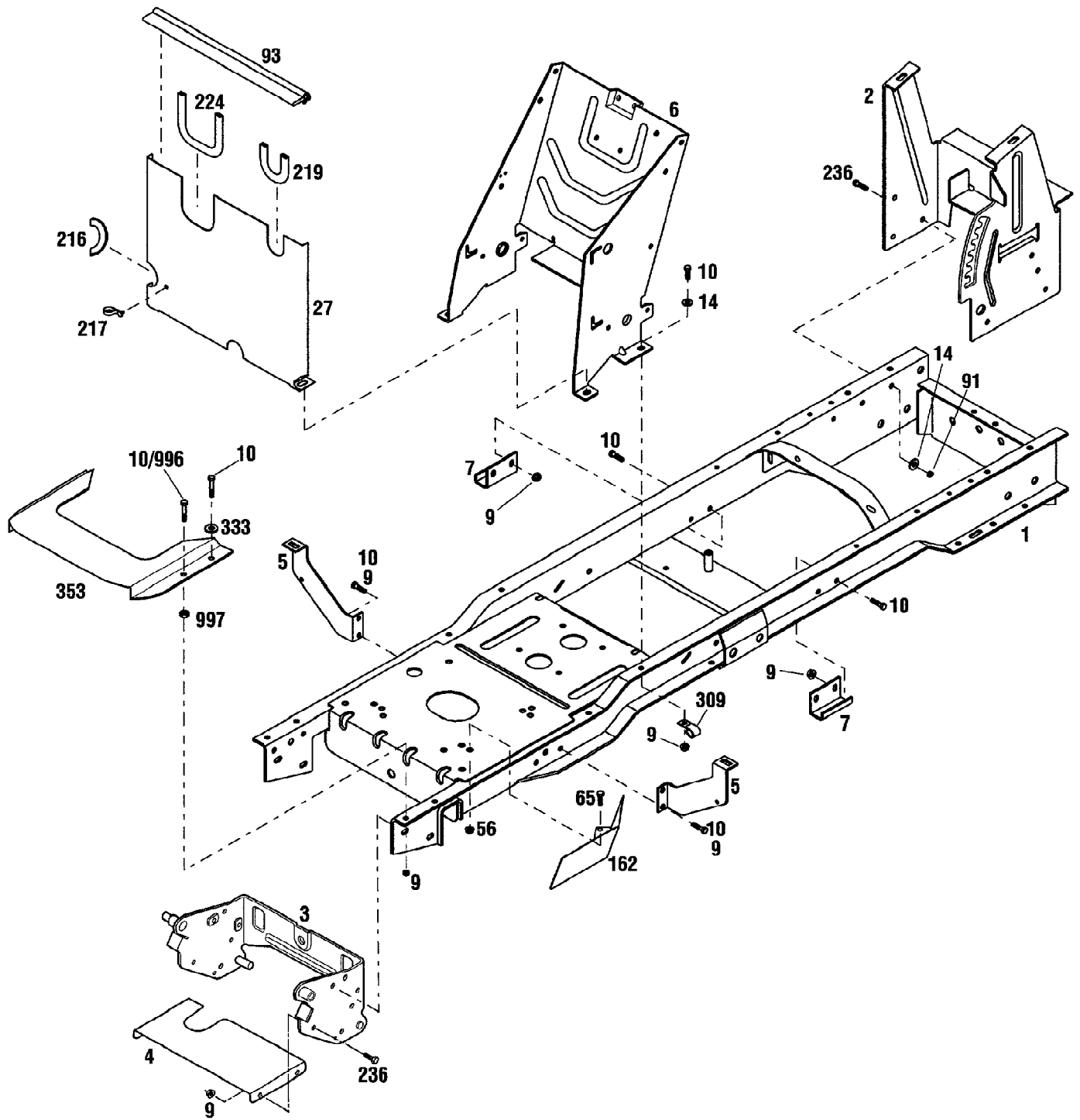


13105 16HP HydroStatic LTX Tractor (S/N 131051200101 - 131051299999) Page 17 of 24
Electrical Assembly

Ref #	Part Number	Qty	S/P/F	Description
9	1186391	1	S	Flange Nut, 5/16-18 Model 13123, Model 13104
10	1100044	1	S	Hex Head Screw, 5/16-18 x 3/4 Model 13123, Model 13104
58	1734398	1	S	Top Locknut, 1/4-20 Model 13105
70	1107381	3	S	Flat Washer, 1/4
80	1772950	2		Cap Model 13123, Model 13104
84	1100241	2	S	Lockwasher, 1/4 SAE
115	1120210	1		Drive Pin, 3/16 x 1 Model 13105
116	1772916	1		Ignition Decal
124	1772915	1		Control Decal Model 13123
	1772914	1		Control Decal Model 13104, 13105
133	1186396	1		Flange Nut, 7/16-20 Model 13105
166	1720883	2	/P	Washer, 1/4 x 1-1/4 Model 13105
168	1100805	2	S	Hex Head Screw, 1/4-20 x 3/4
177	1748723	1	/P	Push-Button Switch Model 13105
194	1186229	3	S	Hex Nut, 1/4-20
202	1749907	1	/P	Relay Model 13105
204	1750736	1	/P	Special Screw Model 13105
205	1768971	1	/P	Magnet Model 13105
206	1767852	1		Housing Pin Terminal Model 13105
207	1773617	1		Cruise Arm Model 13105
211	1766350	1	/P	Cruise Switch Model 13105
212	1766351	1		Cruise Harness Model 13105
213	1767803	1		Cruise Arm Model 13105
214	1767822	1		Spring Model 13105
275	1111599	1	S	Hex Head Screw, 1/4-20 x 5/8
277	1185985	5	S	Keps Nut, #10-24
278	1735531	5	S	Cable Tie
279	1751328	1	S	Push-Button Switch
280	1752137	1	S	Solenoid
281	1768882	1	/P	Seat Switch
282	725-1737	1	S	Battery
283	1753986	1	/P	Key
284	1754250	1	S	Ignition Switch
287	1758070	5	S	Sems Screw, #10-24 x 5/8
288	1758146	1	S	Ignition Switch Mounting Nut
289	1758147	1	S	Cap
290	1764898	1	S	Starter Cable
291	1764886	1		Negative Battery Cable
292		1		UNKNOWN
293	1764888	1		Battery Cable
294	1764890	1		Solenoid Boot
295	629-3051	1	/P	Main Harness Model 13123, Model 13104
	629-3052	1		Main Harness Model 13105
297	1771865	1	/P	PTO Switch
298	1764888	1		Terminal Boot
300	1766184	1		Switch Cover Model 13123, Model 13104
301	1772922	1		Grommet
302	1757364	1	S	Hour Meter Model 13105
303	1725031	1	S	Ammeter Model 13105
305	1709652	1		Wing Locknut, 1/4-20

13105 16HP HydroStatic LTX Tractor (S/N 131051200101 - 131051299999) Page 18 of 24
Electrical Assembly

Ref #	Part Number	Qty	S/P/F	Description
306	1765258001	1	S	Battery Clamp
308	1766163	1	S	Hook Bolt
309	1747738	1	/P	J-Clamp
311	1772002	1	/P	Headlight Reflector
312	1765400	1	/P	Lens
313	1185712	2		Self-Threading Screw
362	1724492	2		Self-Tapping Screw, 1/4-20 x 1/2
391	1772387	1		Switch Bracket
398	1772906	2		Clip
522	1772001	2	S	Headlight Bulb
523	1752875	2		Socket
536	1768969	1	S	Fuse
538	1764897	2	S	Panel Light Bulb
571	1755616	1		Diode
700	725-1648	2	S	Relay
701	710-1003	1	/P	Tap Screw, #10-16 x 5/8
702	725-1657A	1	S	Safety Switch
703	721-0342	1	S	Relay Gasket (Not Shown)



13105 16HP HydroStatic LTX Tractor (S/N 131051200101 - 131051299999) Page 20 of 24
Frame Assembly

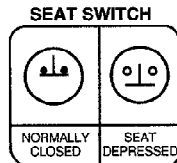
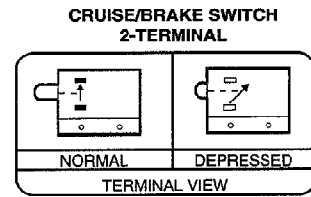
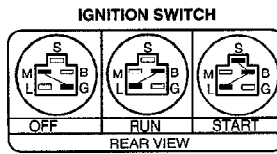
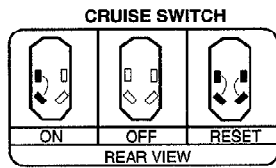
Ref #	Part Number	Qty	S/P/F	Description
1	1772924001	1	/P	Frame
2	703-3308	1		Rear Tank Support
3	1772809001	1		Attachment Bracket
4	1772807001	1		Heat Shield
5	1765431001	2		Fender Support Model 13123, Model 13104
	1765431001	1		Fender Support Model 13105
6	703-3293	1		Console Support
7	1766086001	2		Mower Stop Model 13105
9	1186391	20	S	Flange Nut, 5/16-18
10	1100044	18	S	Hex Head Screw, 5/16-18 x 3/4
?11	1185798	4		Hex Head Screw, 3/8-18 x 1/2
14	1107382	8	/P	Flat Washer, 5/16
27	1768826001	1		Heat Shield Model 13105
56	1186389	1	/P	Flange Nut, 1/4-20
65	1186309	1	/P	Flange Screw, 1/4-20 x 1/2
91	1732499	4	/P	Locknut, 5/16-18
93	1768834	1		Heat Shield Gasket Model 13105
162	1767874001	1		Upper Heat Shield Model 13105
216	1768835	1		Trim Model 13105
217	1745366	1		Cable Hanger Model 13105
219	1752694	1		Trim Model 13105
224	1768840	1		Trim Model 13105
236	1186329	8	S	Flange Screw, 5/16-18 x 3/4
309	1747738	1	/P	J-Clamp
333	1723384	1	S	Flat Washer, 5/16 x 1-1/2
353	1772982001	1		Heat Shield Model 13105
996	710-0376	2	/P	Hex Head Screw, 5/16-18 x 1 Model 13123, Model 13104
997	750-1032	1	/P	Spacer Model 13123, Model 13104

13105 16HP HydroStatic LTX Tractor (S/N 131051200101 - 131051299999) Page 22 of 24
Steering Assembly

Ref #	Part Number	Qty	S/P/F	Description
12		1		UNKNOWN
15	1766027	1	/P	Premium Steering Wheel
16	1772929	1		Steering Support Bearing
17	1765010	1	/P	Steering Shaft
18	1771039	1		Pinion Gear
20	1771320	1	/P	Steering Gear Assembly
22	1766221	1		Steering Wheel Cap
23	1185284	1	S	Roll Pin, 1/4 x 2
24	1185348	1	S	Drive Pin, 1/4 x 1 1/4
28	1705092	1	S	Special Washer, 5/8 x 1
29	1177567	1	S	Retaining Ring, 5/8
30	1768796	2	S	Locking Jam Nut, 1/2-20
31	1758231	1	S	Top Locknut, 5/8-11
32	1767953	1		Hex Head Screw, 5/8-11 x 2 3/4
33	1766984	4	/P	Flange Lock Screw, 5/16-18 x 3/4
34	1765315	1		Drag Link
35	1186247	1	S	Hex Jam Nut, 1/4-20
36	1716180	1		Ball Joint
40	1766241	2	/P	Special Washer, 3/4 x 2 1/2 Model 13123, Model 13104
41	1185830	2	S	Special Washer, 3/4 x 1-3/8 Model 13123, Model 13104
42	1768883001	1	/P	Tie Rod
43	1185689	4		Retaining Ring Model 13105
55	1894062	2	/P	Shoulder Bolt, 3/4-24
56	1186389	2	/P	Flange Nut, 1/4-20
65	1186309	2	/P	Flange Screw, 1/4-20 x 5/8
71	1110150	2	S	Self Lock Nut, 3/4-24
110	1766215	2		Hub Cap
146	1766242	2	/P	Special Washer, 1 x 2-1/2 Model 13105
175	1185388	4	S	Retaining Ring Model 13123, Model 13104
190	1748415	1		Compression Spring
256	1705093	1	S	Flat Washer, 5/8 x 1"
366	1100266	1	S	Flat Washer, 5/8
387	1731504	1	S	90° Grease Fitting
501	1765263001	1		Left-Hand Spindle Model 13123, Model 13104
	1765316001	1		Left-Hand Spindle Model 13105
503	1764140	4	/P	Axle Bushing, Model 13123, Model 13104
	1752556	4		Axle Bushing Model 13105
504	1701447	2	/P	Special Washer, 3/4 Model 13123, Model 13104
	1703073	4	/P	Special Washer, 1" Model 13105
507	1765169001	1		Front Axle Model 13123, Model 13104
	1772154001	1		Front Axle Model 13105
508	1765004001	1		Right-Hand Spindle Model 13123, Model 13104
	1765317001	1		Right-Hand Spindle Model 13105
509	1762254	2	S	Tire, 15 x 6.00 BRS Model 13123, Model 13104

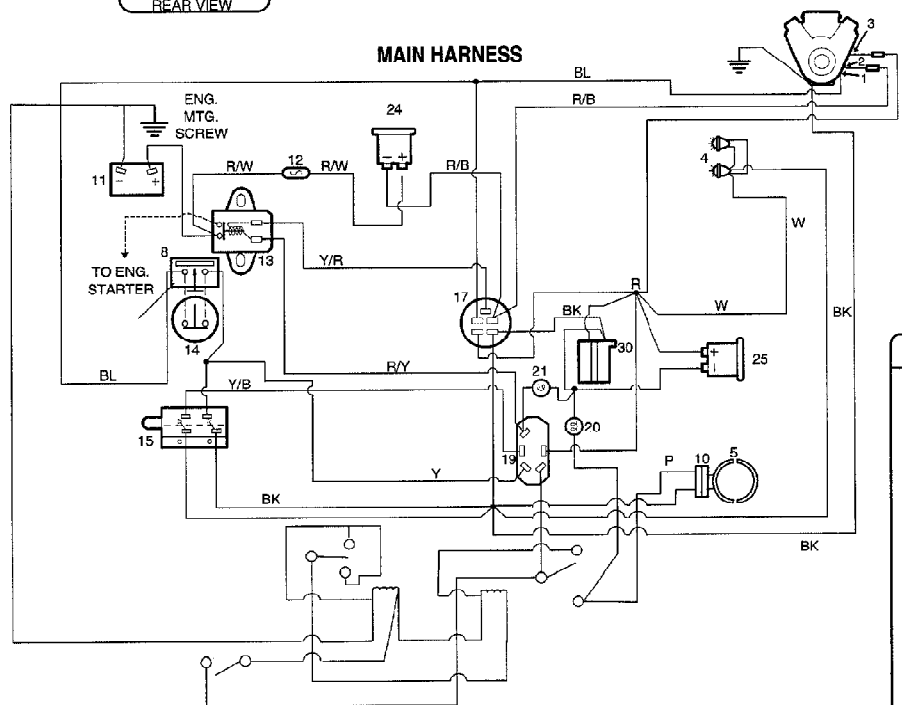
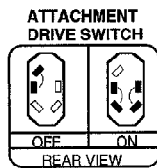
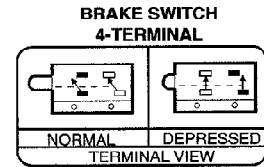
13105 16HP HydroStatic LTX Tractor (S/N 131051200101 - 131051299999) Page 23 of 24
Steering Assembly

Ref #	Part Number	Qty	S/P/F	Description
	1768792	2	S	Tire, 16 X Model 13105
510	1767276	2	/P	15" Rim Assembly Model 13123, Model 13104
	1766073	2		16" Rim Assembly Model 13105
511	1718086	2	S	Valve Stem
512	1185816	4	/P	Wheel Bearings Model 13123, Model 13104
	1756524	4	/P	Wheel Bearings Model 13105
532	1185976	4	S	Grease Fitting



WIRE COLOR CODE

BK	Black
BL	Blue
P	Purple
R	Red
W	White
Y	Yellow
R/W	Red/White
R/B	Red/Black
R/Y	Red/Yellow
Y/R	Yellow/Red
W/B	White/Black
Y/B	Yellow/Black



Contact located inside Connector Body

ITEM CODE

1	Magneto
2	Alternator
3	Fuel Solenoid
4	Headlights
5	Attachment Clutch
8	Seat Plug with Switch
10	Connector
11	Battery
12	Fuse
13	Start Solenoid
15	Brake Switch
17	Key Switch
19	Attachment Switch
20	Attachment Light
21	Start Light
24	Ammeter
25	Hourmeter
29	Cruise Socket
30	Cruise Plug
31	Cruise Light
32	Cruise Switch
33	Cruise Relay
34	Cruise/Brake Switch
35	Cruise Magnet

