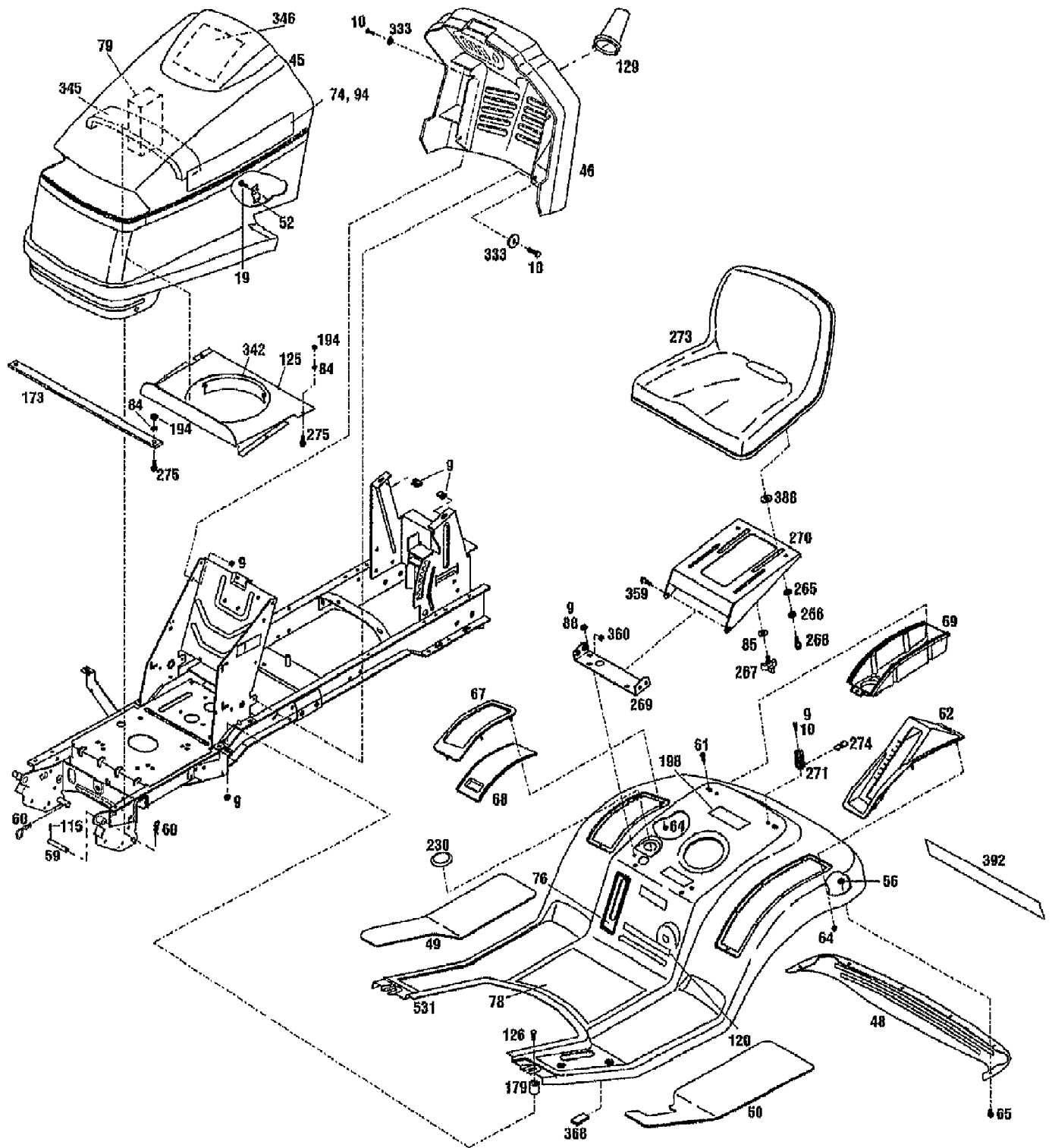


13104 15.5HP LTX HYDRO-LAWN TRACTOR (S/N 131040100101)  
BODYWORK & TRIM ASSEMBLY



13104 15.5HP LTX HYDRO-LAWN TRACTOR (S/N 131040100101)  
BODYWORK & TRIM ASSEMBLY

Page 2 of 21

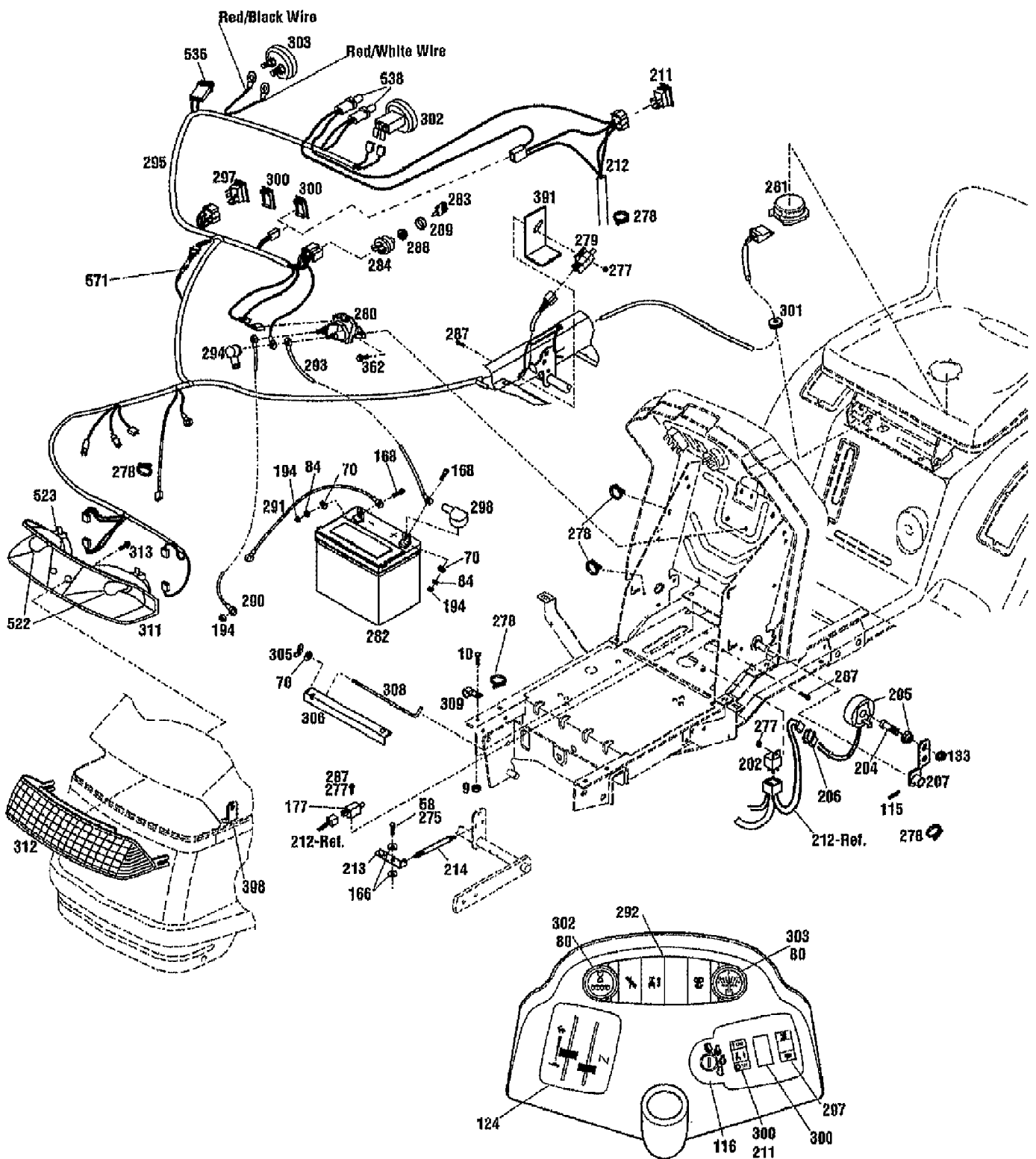
Ref #	Part Number	Qty	S/P/F	Description
9	1186391	0	S	NUT-HFLK 5/16-18 ZP
10	1100044	0	S	SCR-HHC 5/16-18X.75 GR 5 ZP
19	1772878	0		SCR-SPECIAL #10
45	1765382	0		HOOD-TRACTOR
46	1772896	0		CONSOLE
48	1765331010	0		TRIM-FENDER REAR
49	1772846	0		PAD-FOOT RH
50	1772845	0	/P	PAD-FOOT LH
52	1773591	0		LATCH
56	1186389	0	/P	NUT-HF/LK 1/4-20 ZP
?57	1761680	0	S	NUT-SELF RETAIN 5/16-18
59	1773226	0	/P	PIN-HOOD PIVOT
60	1723478	0	/P	PIN-HITCH .125X2.56 ZP
61	1186330	0	S	SCR-LOCK
62	1772979	0	/P	COVER-LIFT HANDLE {13103,13104}
?63	1901900	0	/P	DECAL-AMERICAN LEGEND-LRG
64	1750532	0	S	NUT-SELF THREADING
65	1186309	0	/P	SCR-HH 1/4-20X.625
67	1765493	0		TOP-STORAGE COVER
68	1765492	0		COVER-CONTAINER
69	1765494	0		CONTAINER-STORAGE
74	1773163	0		DECAL-LOGO LH
76	1773205	0		DECAL-FUEL LEVEL
78	1772965	0		TUNNEL {13103,13104}
78	1772966	0		DECAL-TUNNEL {13105}
79	1768829	0		BLOCK-SEALING {13105}
84	1100241	0	S	WASHER-LK .25 ZP {13103,13104}
84	1100241	0	S	WASHER-LK .25 ZP {13105}
85	1107383	0	S	WASHER-FLAT 3/8 SAE
88	1186097	0	S	SCR-CARR 5/16-18X.62 G2 ZP
94	1773162	0		DECAL-LOGO RH
115	1120210	0		PIN-ROLL .188X1.0
120	1773223	0		DECAL-HGT INDICATOR
125	1773622001	0		SHIELD-HEAT UPPER {13105}
126	1186469	0	S	SCR-CARR 5/16-18X.75
129	1773236	0		COVER-STEERING
?133	1723384	0	S	WASHER-1.5X.343X.104
173	1773623001	0		STRAP-HOOD {13103,13104}
179	1730681	0	/P	SPACER-TUBULAR
194	1186229	0	S	NUT-HEX 1/4-20 ZP {13103,13104}
194	1186229	0	S	NUT-HEX 1/4-20 ZP {13105}
198	1767876	0		DECAL-FUEL
230	1768787	0		PLUG 2.50
265	1705793	0		WASHER-1.06X.51X.09 NYLON
266	1706782	0	/P	WASHER-BOW .74X.52X.01
267	1734269	0		KNOB
268	1754125	0	/P	SCR-SHLDR 3/8-16X.25 G5ZP
269	1766075001	0		BRKT-SUPPORT SEAT
270	1766074001	0	/P	SUPPORT-SEAT
271	1766077	0	/P	SPRING-COMPRESSION
273	1774127	0		SEAT-HIGH BACK
274	1766347	0	/P	BRKT-SPRING HOLD DOWN
275	1111599	0	S	SCR-HH 1/4-20X.625 G5 ZP {13103,13104}

13104 15.5HP LTX HYDRO-LAWN TRACTOR (S/N 131040100101)  
BODYWORK & TRIM ASSEMBLY

Page 3 of 21

Ref #	Part Number	Qty	S/P/F	Description
275	1111599	0	S	SCR-HH 1/4-20X.625 G5 ZP {13105}
333	1723384	0	S	WASHER-1.5X.343X.104
342	1767897	0		GASKET-HEAT SHIELD {13105}
345	1767898	0		STRIP-SEALING {13105}
346	1773105	0		DECAL-SERVICE
359	1100913	0	S	SCR-HH 3/8-16X.88 G5 ZP
360	1110108	0	S	NUT-H/LK 3/8-16
368	1767995	0		PAD
388	1893445	0	S	WASHER-FLAT
392	1772803	0		DECAL-MODEL {13103}
392	1772804	0		DECAL-MODEL {13104}
392	1772805	0		DECAL-MODEL {13105}
531	1772963	0		FENDER-REAR {13103,13104}
531	1772964	0		FENDER-RED W/DECALS {13105}
?600	1735222	0	/P/F	PAINT-BLACK SPRAY
?601	1900706	0	S/F	PAINT-RED SPRAYCAN POWDER

13104 15.5HP LTX HYDRO-LAWN TRACTOR (S/N 131040100101)  
ELECTRICAL ASSEMBLY



13104 15.5HP LTX HYDRO-LAWN TRACTOR (S/N 131040100101)  
ELECTRICAL ASSEMBLY

Page 5 of 21

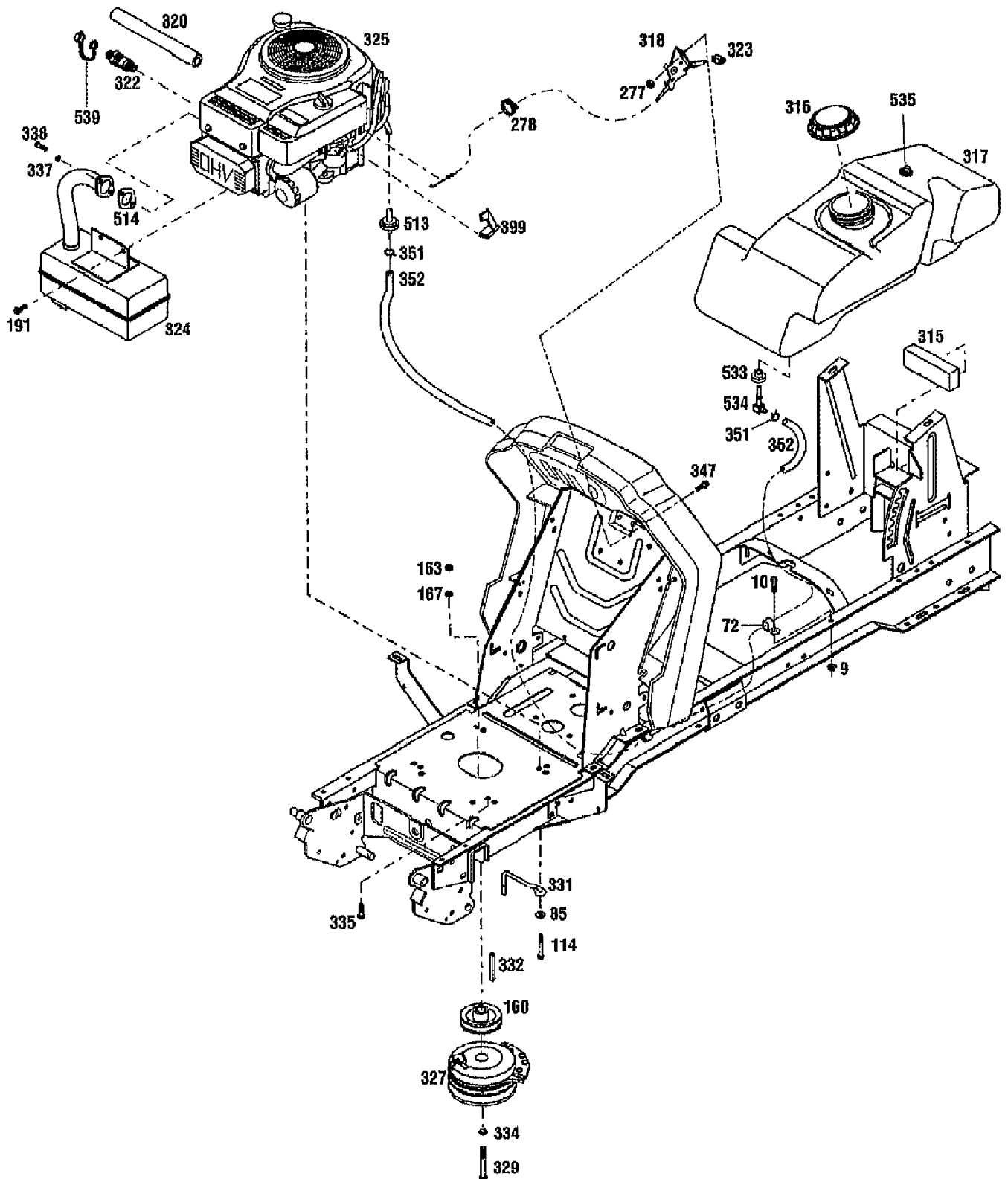
Ref #	Part Number	Qty	S/P/F	Description
9	1186391	0	S	NUT-HFLK 5/16-18 ZP {13103,13104}
10	1100044	0	S	SCR-HHC 5/16-18X.75 GR 5 ZP
58	1734398	0	S	NUT-HT LK 1/4-20 {13105}
70	1107381	0	S	WASHER-FLAT 1/4 SAE
80	1772950	0		CAP {13103,13104}
84	1100241	0	S	WASHER-LK .25 ZP
115	1120210	0		PIN-ROLL .188X1.0 {13105}
116	1772916	0		DECAL-IGNITION
124	1772915	0		DECAL-CONTROL {13103}
124	1772914	0		DECAL-CONTROL {13104,13105}
133	1186396	0		NUT-WHIZ LOCK {13105}
166	1720883	0	/P	WASHER-FLAT 1.25X.28X.062 ZP {13105}
168	1100805	0	S	SCR-HH 1/4-20X.75 G5 ZP
177	1748723	0	/P	SWITCH {13105}
194	1186229	0	S	NUT-HEX 1/4-20 ZP
202	1749907	0	/P	RELAY-SPEED CONTROL {13105}
204	1750736	0	/P	SCR-SPECIAL {13105}
205	1768971	0	/P	ASSM-MAGNET {13105}
206	1767852	0		PIN-TERM HOUSING {13105}
207	1773617	0		ARM-CRUISE {13105}
211	1766350	0	/P	SWITCH-CRUISE {13105}
212	1766351	0		HARNES-CRUISE {13105}
213	1767803	0		ARM-CRUISE {13105}
214	1767822	0		SPRING {13105}
275	1111599	0	S	SCR-HH 1/4-20X.625 G5 ZP
277	1185985	0	S	NUT W/LKWASHER 10-24 ZP
278	1735531	0	S	TIE-CABLE NYLON BLACK
279	1751328	0	S	SWITCH
280	1752137	0	S	SOLENOID
281	1768882	0	/P	SWITCH-SEAT
282	1752840	0		BATTERY
283	1753986	0	/P	KEY-IGNITION
284	1754250	0	S	SWITCH-IGNITION
287	1758070	0	S	SCR-HHS 10-24X.625 ZP
288	1758146	0	S	NUT-SWITCH
?289	1758147	0	S	CAP-SWITCH
290	1764898	0	S	CABLE-STARTER
291	1764886	0		CABLE-BATTERY (-)
293	1764888	0		CABLE-BATTERY
294	1764890	0		BOOT-SOLENOID
295	1773042	0		HARNES-MAIN {13103,13104}
295	1773043	0		HARNES-MAIN {13105}
297	1771865	0	/P	SWITCH-PTO
298	1764899	0		BOOT-TERMINAL
300	1766184	0		COVER-SWITCH {13103,13104}
301	1772922	0		GROMMET
302	1757364	0	S	METER-HOUR {13105}
303	1725031	0	S	AMMETER {13105}
305	1709652	0		NUT-WING
306	1765258001	0	S	CLAMP-BATTERY
308	1766163	0	S	SCR-HOOK
309	1747738	0	/P	CLIP-J
311	1772002	0	/P	ASSM-HEADLIGHT

13104 15.5HP LTX HYDRO-LAWN TRACTOR (S/N 131040100101)  
ELECTRICAL ASSEMBLY

Page 6 of 21

Ref #	Part Number	Qty	S/P/F	Description
312	1765400	0	/P	LENSE-HEADLIGHT
313	1185712	0		SCR
362	1724492	0		SCR 1/4-20X.5 FL SELF TAP
391	1772387	0		BRACKET-SWITCH
398	1772906	0		CLIP-RETAINING
522	1772001	0	S	LIGHTBULB
523	1752875	0		SOCKET
536	1768969	0	S	FUSE
538	1764897	0	S	LIGHTBULB
571	1755616	0		ASSM-DIODE

13.5 & 15.5 HP ENGINE ASSEMBLY



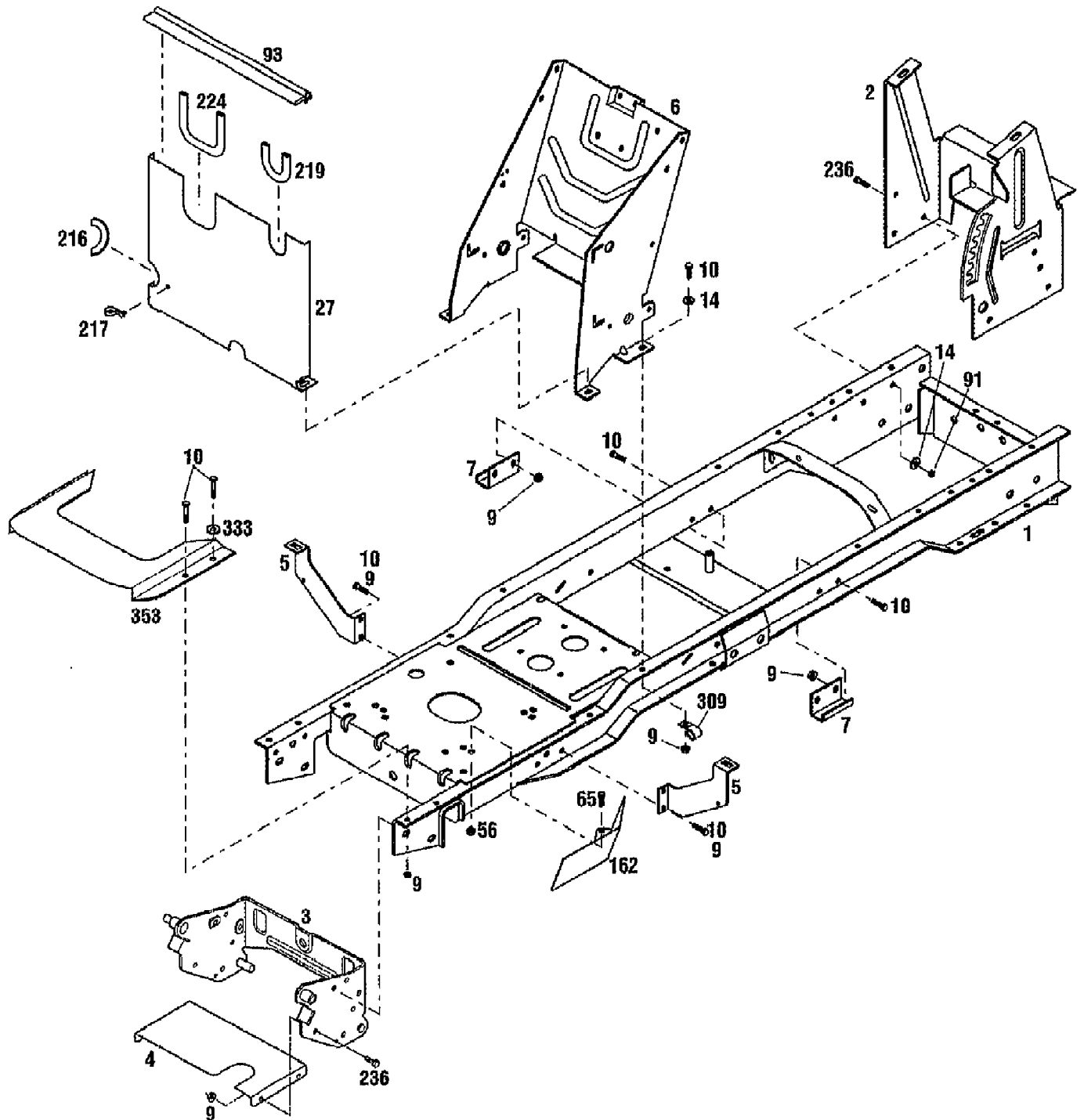
13104 15.5HP LTX HYDRO-LAWN TRACTOR (S/N 131040100101)  
ENGINE ASSEMBLY

Page 8 of 21

Ref #	Part Number	Qty	S/P/F	Description
9	1186391	0	S	NUT-HFLK 5/16-18 ZP
10	1100044	0	S	SCR-HHC 5/16-18X.75 GR 5 ZP
72	1807450	0		CLAMP-WIRE
85	1107383	0	S	WASHER-FLAT 3/8 SAE
114	1768194	0	S	SCR-THRD FRM 3/8-16X1.50
160	1772330	0	/P	PULLEY-ENGINE
163	1186231	0	S	NUT-HEX 3/8-16 ZP
167	1100243	0	S	WASHER-LK .375 @ DEPL
191	1754128	0	/P	SCR-FLANGE 1/4-20X3/4 GR5
277	1185985	0	S	NUT W/LKWASHER 10-24 ZP
278	1735531	0	S	TIE-CABLE NYLON BLACK
315	1766341	0		PAD-FUEL TANK
316	1766188	0	/P	CAP-FUEL
317	1772814	0	/P	TANK-FUEL
318	1772884	0		CONTROL-THROTTLE
320	1769006	0	S	HOSE-OIL DRAIN
322	1768865	0	S	ASSM-OIL VALVE
323	1766121	0	/P	KNOB
324	1772810	0	/P	MUFFLER
325	0	0	F	ENGINE, 13.5HP BRIGGS & STRATTON {13103}
325	0	0	F	ENGINE, 15.5HP BRIGGS & STRATTON {13104}
327	1772388	0	S	CLUTCH-ELECTRIC
329	1744454	0	S	SCR-HH 7/16-20X3 G5 ZP
331	1772385	0	/P	CLUTCH-RETAINER
332	1104337	0	S	KEY-.25 SQ X 1.5
334	1100244	0	S	WASHER-LK .438 ZP
335	1762042	0		SCR-HH 3/8-16X1.0 THDFM
337	1185140	0	S	WASHER-LOCK
338	1747993	0	S	SCR-HXSKT 5/16-18X.75 BO
347	1773576	0		SCR-MACH 10-24X3/4
351	1750687	0	S	CLAMP-HOSE
352	1767879	0		LINE-FUEL
399	1764005	0		CLIP-ENGINE
513	1727491	0	S	FILTER-FUEL
514	0	0	F	MUFFLER GASKET
533	1738433	0	S	BUSHING-RUBBER
534	1751477	0	S	ELBOW-90 DEG (FUEL LINE)
535	1768804	0	S	VENT-FUEL TANK
539	1766326	0		CAP-OIL DRAIN



13104 15.5HP LTX HYDRO-LAWN TRACTOR (S/N 131040100101)  
FRAME ASSEMBLY

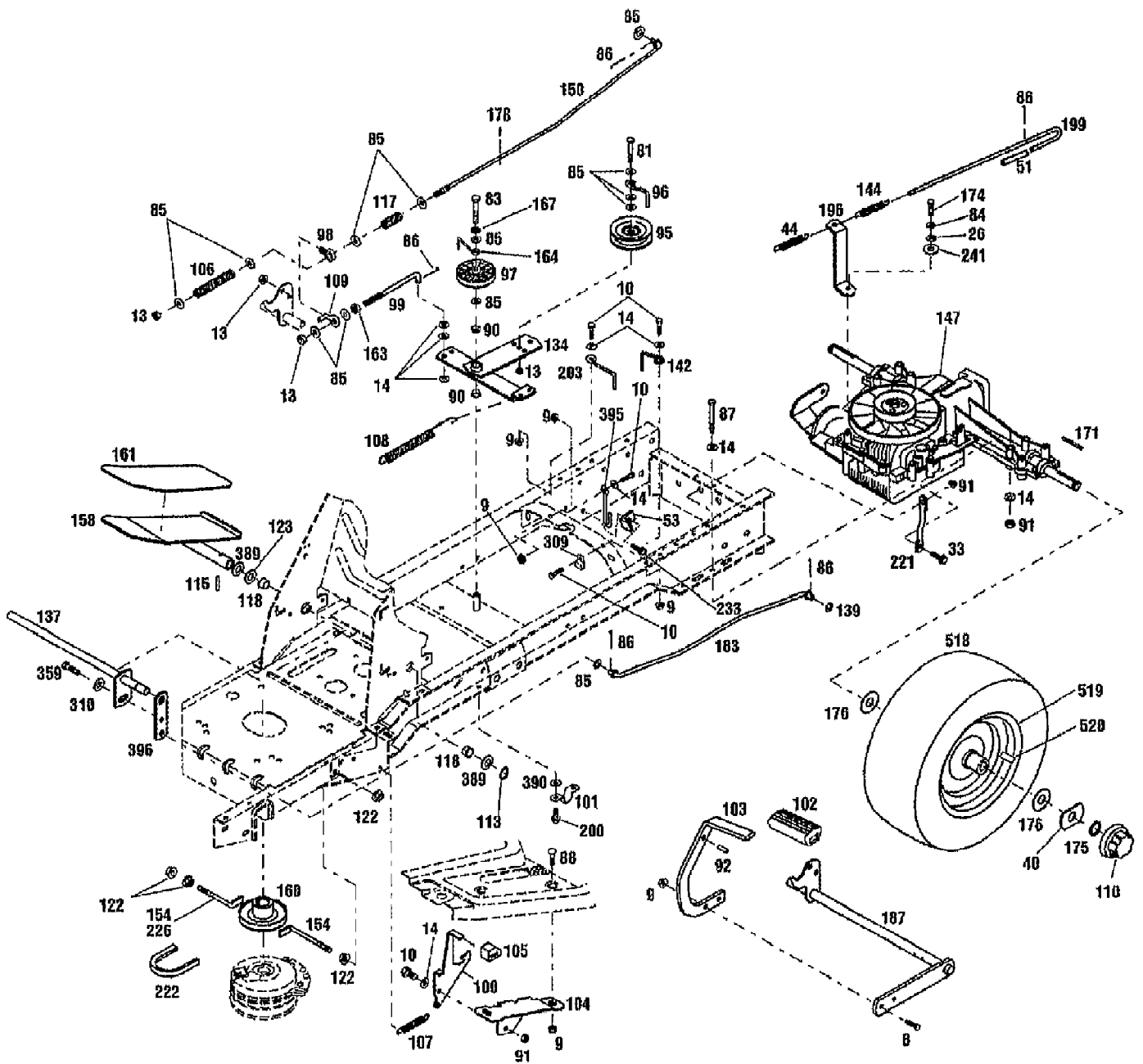


13104 15.5HP LTX HYDRO-LAWN TRACTOR (S/N 131040100101)  
FRAME ASSEMBLY

Page 10 of 21

Ref #	Part Number	Qty	S/P/F	Description
1	1772924001	0	/P	FRAME
2	1772850001	0		SUPPORT-REAR TANK
3	1772809001	0		ASSM-ATTACH BRACKET
4	1772807001	0		SHIELD-HEAT
5	1765431001	0		SUPPORT-FENDER {13103,13104}
5	1765431001	0		SUPPORT-FENDER {13105}
6	1772907001	0		SUPPORT-CONSOLE
7	1766086001	0		STOP-MOWER DECK {13105}
9	1186391	0	S	NUT-HFLK 5/16-18 ZP
10	1100044	0	S	SCR-HHC 5/16-18X.75 GR 5 ZP
?11	1185798	0		SCR-HH 3/8-16X.50
14	1107382	0	/P	WASHER-FLAT 5/16 SAE
27	1768826001	0		SHIELD-HEAT {13105}
56	1186389	0	/P	NUT-HF/LK 1/4-20 ZP
65	1186309	0	/P	SCR-HH 1/4-20X.625
91	1732499	0	/P	NUT-TOP/LK 5/16-18 ZP
93	1768834	0		GASKET-HEAT SHIELD {13105}
162	1767874001	0		SHIELD-HEAT UPPER {13105}
216	1768835	0		TRIM {13105}
217	1745366	0		HANGER-CABLE {13105}
219	1752694	0		TRIM {13105}
224	1768840	0		TRIM-HEAT SHIELD {13105}
236	1186329	0	S	SCR-HFLK 5/16-18X.75 ZP
309	1747738	0	/P	CLIP-J
333	1723384	0	S	WASHER-1.5X.343X.104
353	1772982001	0		SHIELD-HEAT {13105}

13104 15.5HP LTX HYDRO-LAWN TRACTOR (S/N 131040100101)  
HYDROSTATIC TRANSMISSION ASSEMBLY



13104 15.5HP LTX HYDRO-LAWN TRACTOR (S/N 131040100101)  
HYDROSTATIC TRANSMISSION ASSEMBLY

Page 12 of 21

Ref #	Part Number	Qty	S/P/F	Description
8	1100045	0	S	SCR-HH 5/16-18X1.0 G5 ZP
9	1186391	0	S	NUT-HFLK 5/16-18 ZP
10	1100044	0	S	SCR-HHC 5/16-18X.75 GR 5 ZP
13	1733398	0	S	NUT-LOCK 3/8-16
14	1107382	0	/P	WASHER-FLAT 5/16 SAE
26	1100254	0	S/F	WASHER-.75X.312X.065 ZP
33	1766984	0	/P	SCR-HFLK 5/16-18X.75
40	1766241	0	/P	WASHER-SPEC .75X2.50
44	1765307	0	F	SPRING-EXTENSION
51	1767984	0	F	GRIP-HANDLE
53	1772776	0		BRACKET-STOP
81	1100048	0	S	SCR-HH 3/8-16X2.0 G5 ZP
83	1100086	0	S	SCR-HH 3/8-16X1.75 G5 ZP
84	1100241	0	S/F	WASHER-LK .25 ZP
85	1107383	0	S	WASHER-FLAT 3/8 SAE
86	1100346	0	S	PIN-COTTER .09X.75 ZP
87	1111609	0	S	SCR-HH 5/16-18X2.75 G5 ZP
88	1186097	0	S	SCR-CARR 5/16-18X.62 G2 ZP
90	1715538	0	/P	BUSHING-.5X.5 NYLON FLNG
91	1732499	0	/P	NUT-TOP/LK 5/16-18 ZP
92	1770205	0		PIN-DRIVE .312X.75
95	1756151	0	/P	IDLER
96	1760096	0	/P	GUIDE-BELT
97	1760097	0	/P	PULLEY-IDLER
98	1769038	0		BOLT-EYE
99	1772460	0		ROD-CLUTCH
100	1771514	0		LATCH-BRAKE LOCK
101	1765156	0		CLIP-CLAMP .75 ID
102	1765167	0		PAD-FOOT PEDAL
103	1772741	0		PEDAL-BRAKE
104	1765257	0		BRKT-BRAKE LOCK
105	1765297	0		PAD-BRAKE
106	1765305	0		SPRING-COMPRESSION
107	1985140	0		SPRING-EXTENSION
108	1765402	0	/P	SPRING-EXTENSION
109	1765461	0		ROD-PIVOT
110	1766215	0		CAP-HUB
113	1118808	0	/P	RING-RETAIN .625 ID
115	1120210	0		PIN-ROLL .188X1.0
117	1755319	0		SPRING
118	1185802	0		BEARING-FLANGE
122	1186393	0	/P	NUT-HFLK 3/8-16 ZP
123	1715301	0	/P	WASHER-1.115X.637X.06
134	1765064	0	/P	ARM-IDLER
137	1772225	0		SHAFT-HYDRO PIVOT
139	1890945	0	S	WASHER-FLAT .375DIA
142	1772191	0		GUIDE-BELT
144	1720928	0	F	SPRING
147	1772033	0		TRANSAXLE-HYDRO
150	1772208	0		ROD-BRAKE
154	1766025	0	/P	RETAINER-CLUTCH
158	1773231001	0		ASSM-PEDAL HYDRO
160	1772330	0	/P	PULLEY-ENGINE

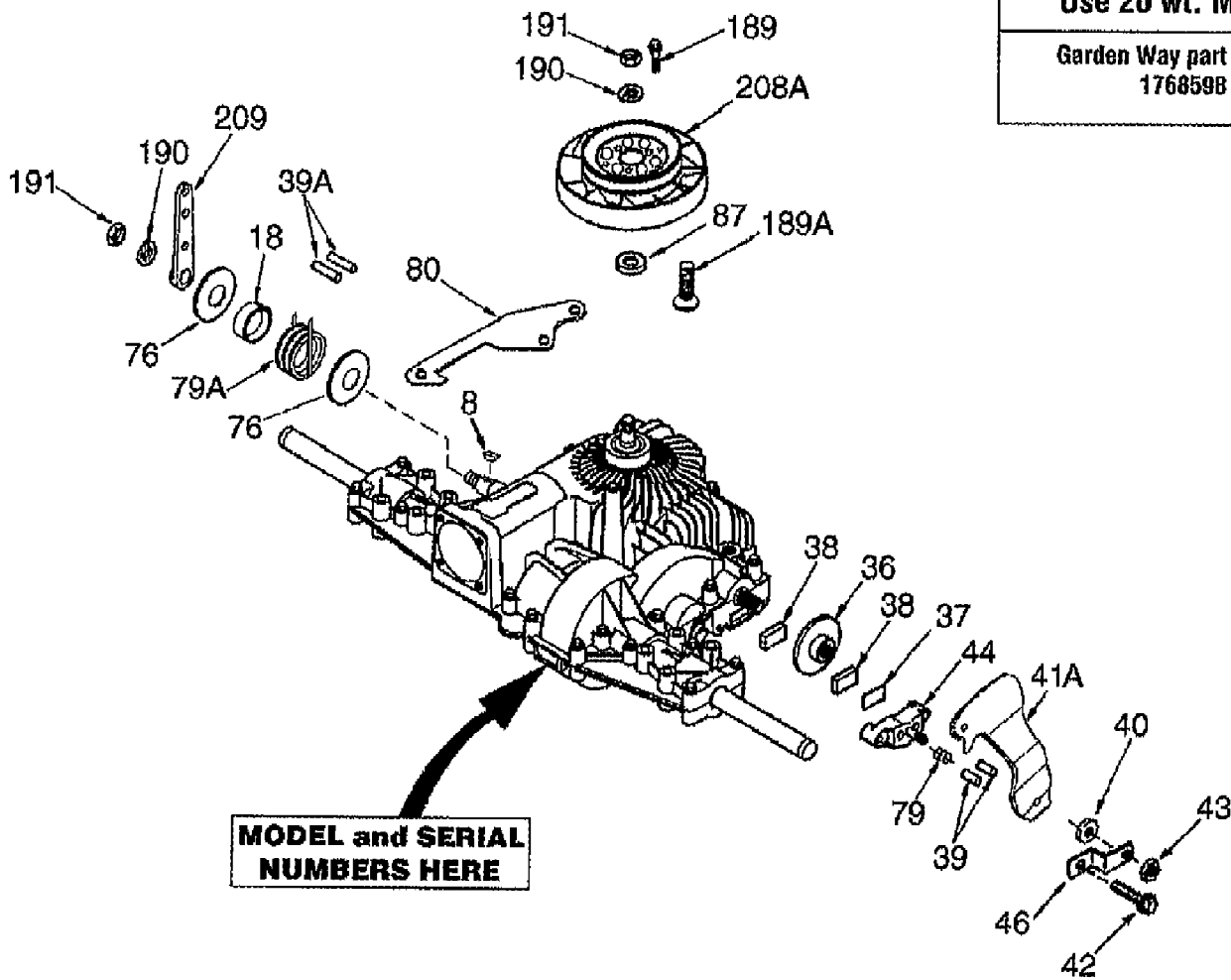
13104 15.5HP LTX HYDRO-LAWN TRACTOR (S/N 131040100101)  
HYDROSTATIC TRANSMISSION ASSEMBLY

Page 13 of 21

Ref #	Part Number	Qty	S/P/F	Description
161	1772844	0		PAD-FOOT PEDAL
163	1186231	0	S	NUT-HEX 3/8-16 ZP
164	1767900	0		GUIDE-BELT
167	1100243	0	S	WASHER-LK .375 @ DEPL
171	1983110	0	/P	KEY-3/16X3/16X1 3/4
174	1111683	0	S/F	SCR-HHC 1.4-28 X .50
175	1185388	0	S	RING-RET."E".577 ID
176	1747998	0		WASHER-1.87X.765X.06 SPECIAL
178	1724885	0	/P	PIN-DRIVE .09X.75
183	1772222	0		ROD-HYDRO CONTROL
187	1772728	0		ASSM-BRAKE PEDAL
200	1724491	0	S	SCR-HFLK 5/16-18X.75
196	1773676	0	F	ARM-DUMP VALVE
199	1773659	0	F	ROD-DUMP VALVE
203	1773156	0		GUIDE-BELT
221	1772207	0		SUPT-TRANSMISSION
222	1772253	0	/P	BELT-V
226	1773624	0		GUIDE-BELT
233	1186328	0	S	SCR-HFLK 5/16-18X.62 G5ZP
241	1738490	0	/P/F	SPACER
309	1747738	0	/P	CLIP-J
310	1185715	0	/P	WASHER-LK .375 PYRAMIDAL
359	1100913	0	S	SCR-HH 3/8-16X.88 G5 ZP
389	1730375	0		WASHER-SHIM
390	1705108	0	S	WASHER-.632X.39X.0329
395	1772206	0		GUIDE-BRAKE ROD
396	1772223	0		ARM-CONTROL
518	1766275	0		TIRE-20X8.00-10
519	1765607	0	/P	WHEEL-REAR
520	1718086	0	S	STEM-VALVE

13104 15.5HP LTX HYDRO-LAWN TRACTOR (S/N 131040100101)  
HYDROSTATIC TRANSMISSION BREAKDOWN

<b>Use 20 wt. Motor Oil</b>
Garden Way part number 1768598

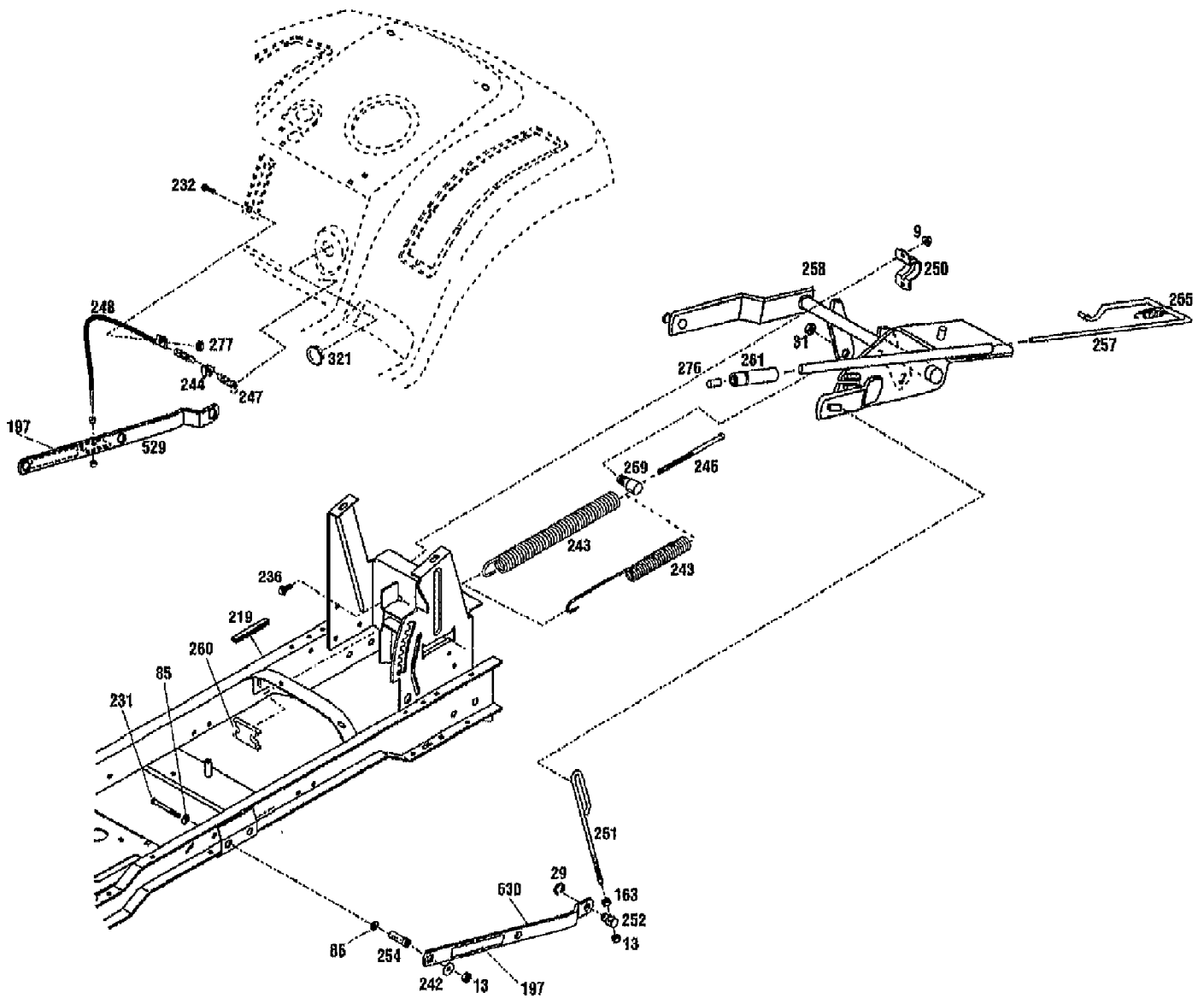


13104 15.5HP LTX HYDRO-LAWN TRACTOR (S/N 131040100101)  
HYDROSTATIC TRANSMISSION BREAKDOWN

Page 15 of 21

Ref #	Part Number	Qty	S/P/F	Description
8	792175	0		WOODRUFF KEY
18	786173	0		SPACER
36	790075	0		BRAKE DISK
37	790007	0	S	BRAKE PAD PLATE
38	799021	0		BRAKE PAD
39	786026	0	S	DOWEL PIN
39A	786174	0		DOWEL PIN
40	792076A	0		WASHER
41A	790081	0		BRAKE LEVER
42	792073	0		SCREW
43	792075	0		NUT
44	790025	0		HOLDER
46	786086	0		BRACKET
76	792174	0		WASHER
79	792144	0		SPRING
79A	798027	0		SPRING
80	798030	0		CONTROL STOP
87	788035	0		OIL SEAL
189	792168	0		SCREW
189A	792171	0		SCREW
190	792150	0		WASHER
191	792151	0		NUT
208A	798031	0		FAN & COUPLING
209	798024	0		CONTROL LEVER
	1768598	0		OIL-SAE 20 HYDROSTATIC

13104 15.5HP LTX HYDRO-LAWN TRACTOR (S/N 131040100101)  
LIFT ASSEMBLY



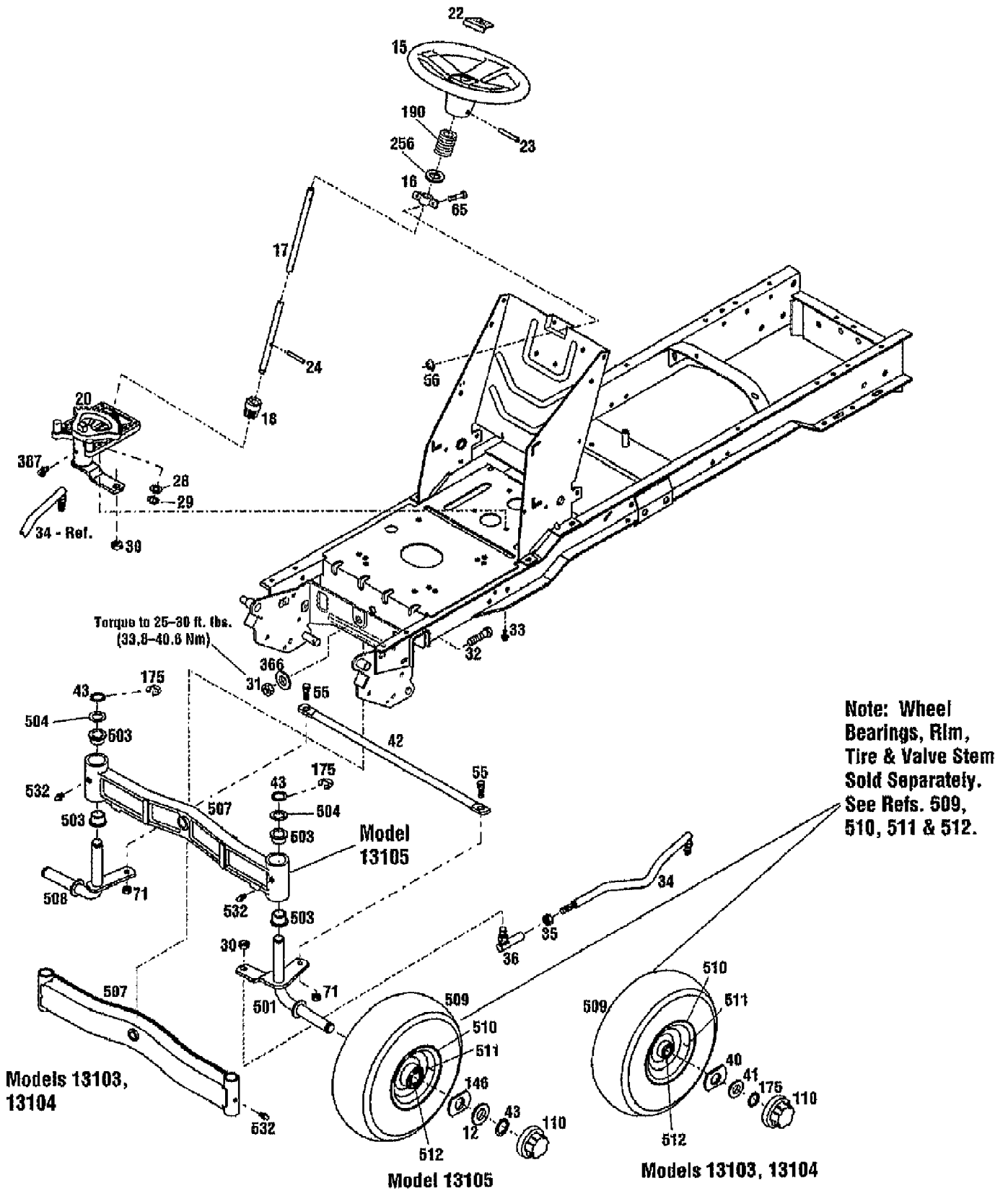


13104 15.5HP LTX HYDRO-LAWN TRACTOR (S/N 131040100101)  
LIFT ASSEMBLY

Page 17 of 21

Ref #	Part Number	Qty	S/P/F	Description
9	1186391	0	S	NUT-HFLK 5/16-18 ZP
13	1733398	0	S	NUT-LOCK 3/8-16
29	1177567	0	S	RING-RETAINING
31	1758231	0	S	NUT-H/LK 5/8-11
85	1107383	0	S	WASHER-FLAT 3/8 SAE
163	1186231	0	S	NUT-HEX 3/8-16 ZP
197	1773104	0		DECAL-WARNING
219	1752694	0		TRIM
231	1111614	0	S	SCR-HH 3/8-16X3.0 G5 ZP
232	1773610	0	S	SCR 10-24 X 5/8
236	1186329	0	S	SCR-HFLK 5/16-18X.75 ZP
242	1763355	0	S	WASHER-1.5X.375X.18 ZP
243	1773138	0		SPRING-LIFT ASSIST {13103}
243	1772867	0		SPRING-LIFT ASSIST {13104}
244	1773201	0	/P	INDICATOR-HEIGHT
245	1773139	0		SCR-HH 3/8-16X5
247	1773206	0		SPRING-EXTENSION
248	1773183	0		ASSM-CABLE
250	1772806	0		CLAMP-LIFT
251	1772868	0		ROD-LIFT
252	1772438	0	/P	SWIVEL-REAR LIFT
254	1766080	0		SPACER
255	1772873	0		SPRING-EXTENSION
257	1772870	0	/P	ROD
258	1772851001	0		ASSM-LIFT
259	1772871	0		BLOCK-PIVOT
260	1772872	0		SPRING-ANCHOR
261	1766340	0		GRIP-LIFT
276	1772865	0	/P	BUTTON-LIFT
277	1185958	0		NUT-KEPS 10-24
321	1772165	0		PLUG-DOME
529	1772961	0		ASSM-RT LIFT LINK
530	1772962	0		ASSM-LT LIFT LINK

13104 15.5HP LTX HYDRO-LAWN TRACTOR (S/N 131040100101)  
STEERING ASSEMBLY



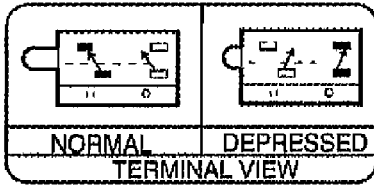
13104 15.5HP LTX HYDRO-LAWN TRACTOR (S/N 131040100101)  
STEERING ASSEMBLY

Page 19 of 21

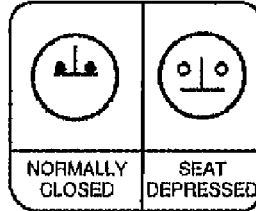
Ref #	Part Number	Qty	S/P/F	Description
12		1		UNKNOWN
15	1766027	0	/P	WHEEL-STEERING
16	1772929	0		BEARING
17	1765010	0	/P	SHAFT-STEERING
18	1771039	0		GEAR-PINION
20	1771320	0	/P	ASSM-STEERING GEAR
22	1766221	0		CAP-STEERING
23	1185284	0	S	PIN-ROLL .25X2.25
24	1185348	0	S	PIN-ROLL 1/4 X 1-1/4
28	1705092	0	S	WASHER-1.0X.64X.09
29	1177567	0	S	RING-RETAINING
30	1768796	0	S	NUT-HEX/JAM 1/2-20
31	1758231	0	S	NUT-H/LK 5/8-11
32	1767953	0		SCR-HH
33	1766984	0	/P	SCR-HFLK 5/16-18X.75
34	1765315	0		LINK-DRAG
35	1186247	0	S	NUT-JAM
36	1716180	0		JOINT-BALL
40	1766241	0	/P	WASHER-SPEC .75X2.50 {13103,13104}
41	1185830	0	S	WASHER-1.38 X.765X .06 ZP {13103,13104}
42	1768883001	0	/P	ROD-TIE
43	1185689	0		RING-HEAVY EXT HD 1.0 ID {13105}
55	1894062	0	/P	SCR-SHOULDER
56	1186389	0	/P	NUT-HF/LK 1/4-20 ZP
65	1186309	0	/P	SCR-HH 1/4-20X.625
71	1110150	0	S	NUT-LOCK
110	1766215	0		CAP-HUB
146	1766242	0	/P	WASHER-SPECIAL .75X2.5 {13105}
175	1185388	0	S	RING-RET."E".577 ID {13103,13104}
190	1748415	0		SPRING-COMPRESSION
256	1705093	0	S	WASHER-1.0X.64X.029
366	1100266	0	S	WASHER-1.75X.687X.134 ZP
387	1731504	0	S	FITTING-GREASE 90 DEGREE
501	1765263001	0		ASSM-SPINDLE LH {13103,13104}
501	1765316001	0		SPINDLE-WHEEL LH {13105}
503	1764140	0	/P	BUSHING {13103,13104}
503	1752556	0		BEARING-FLANGE {13105}
504	1701447	0	/P	WASHER-1.25X.765X.049 {13103,13104}
504	1703073	0	/P	WASHER-THRUST {13105}
507	1765169001	0		AXLE-FRONT {13103,13104}
507	1772154001	0		AXLE-FRONT {13105}
508	1765004001	0		ASSM-SPINDLE WHEEL RH {13103,13104}
508	1765317001	0		SPINDLE-WHEEL RH {13105}
509	1762254	0	S/F	TIRE 15X6.00-6RS {13103,13104}
509	1768792	0	S/F	TIRE-16X6.50-8 {13105}
510	1767276	0	/P/F	DISC WHEEL {13103,13104}
510	1766073	0	F	RIM-WHEEL {13105}
511	1718086	0	S/F	STEM-VALVE
512	1185616	0	S/F	BEARING-BALL W/SEAL {13103,13104}
512	1756524	0	/P/F	BEARING-BALL {13105}
532	1185976	0	S/F	FITTING-GREASE 1/4-28X2.00

### WIRING DIAGRAM

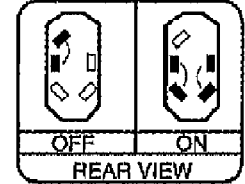
**BRAKE SWITCH  
4-TERMINAL**



**SEAT  
SWITCH**



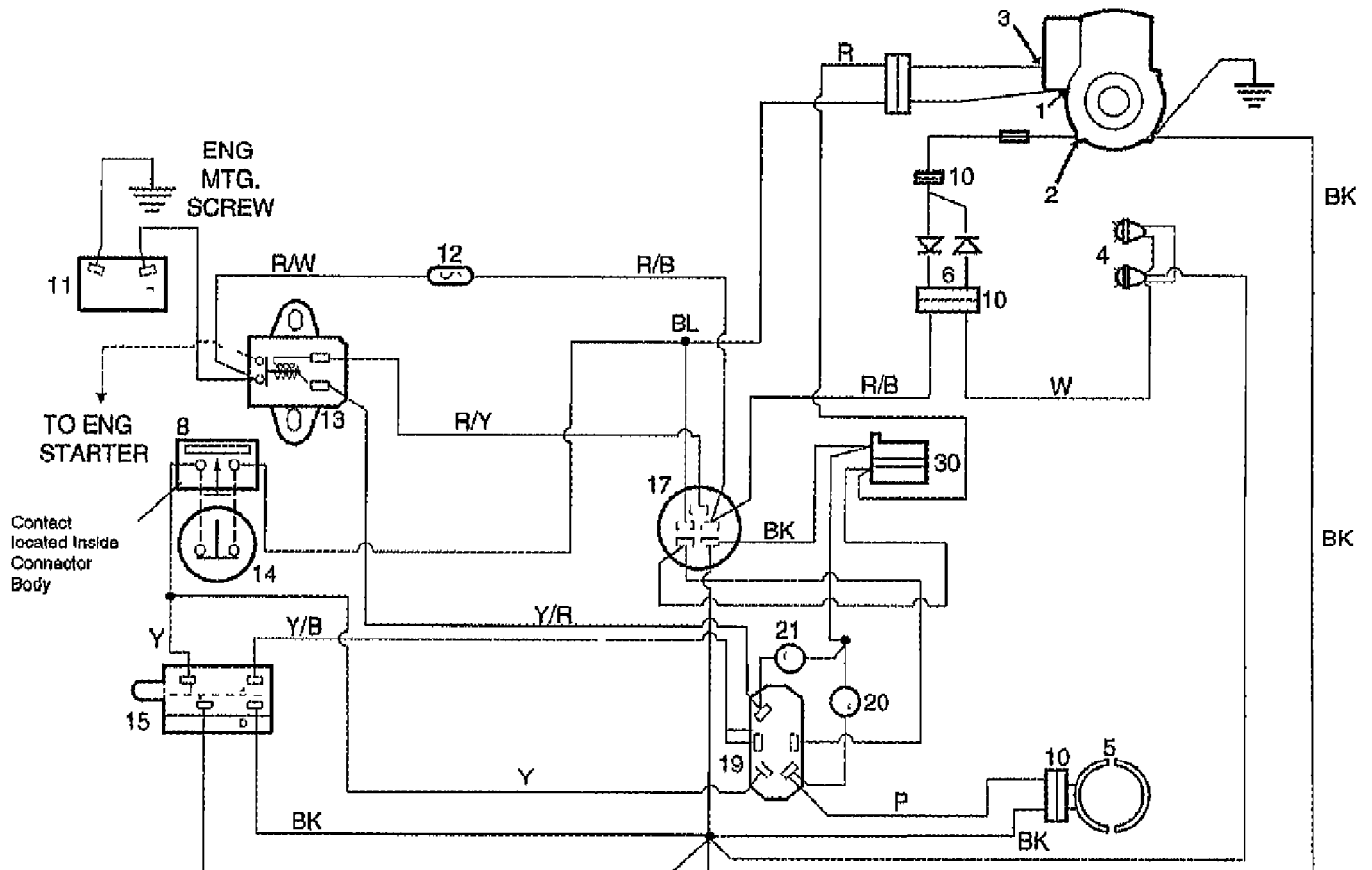
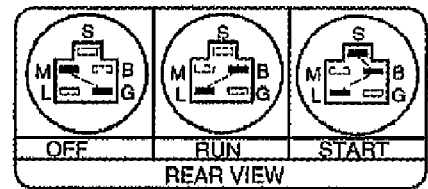
**ATTACHMENT  
DRIVE SWITCH**



ITEM CODE	
1	Magneto
2	Alternator
3	Fuel Solenoid
4	Headlights
5	Attachment Clutch
6	Diode Assembly
7	Starter
8	Seat Plug with Switch
10	Connector
11	Battery
12	Fuse
13	Start Solenoid
15	Brake Switch
17	Key Switch
19	Attachment Switch
20	Attachment Light
21	Start Light
30	Accessory Plug

WIRE COLOR CODE	
BK	Black
BL	Blue
P	Purple
R	Red
W	White
Y	Yellow
R/W	Red/White
R/B	Red/Black
R/Y	Red/Yellow
Y/R	Yellow/Red
W/B	White/Black
Y/B	Yellow/Black

**IGNITION SWITCH**



Ref #	Part Number	Qty	S/P/F	Description
1		1		UNKNOWN
2		1		UNKNOWN
3		1		UNKNOWN
4		1		UNKNOWN
5		1		UNKNOWN
6		1		UNKNOWN
8		1		UNKNOWN
10		1		UNKNOWN
11		1		UNKNOWN
12		1		UNKNOWN
13		1		UNKNOWN
14		1		UNKNOWN
15		1		UNKNOWN
17		1		UNKNOWN
19		1		UNKNOWN
20		1		UNKNOWN
21		1		UNKNOWN
30		1		UNKNOWN
	0	0		ILLUSTRATION ONLY