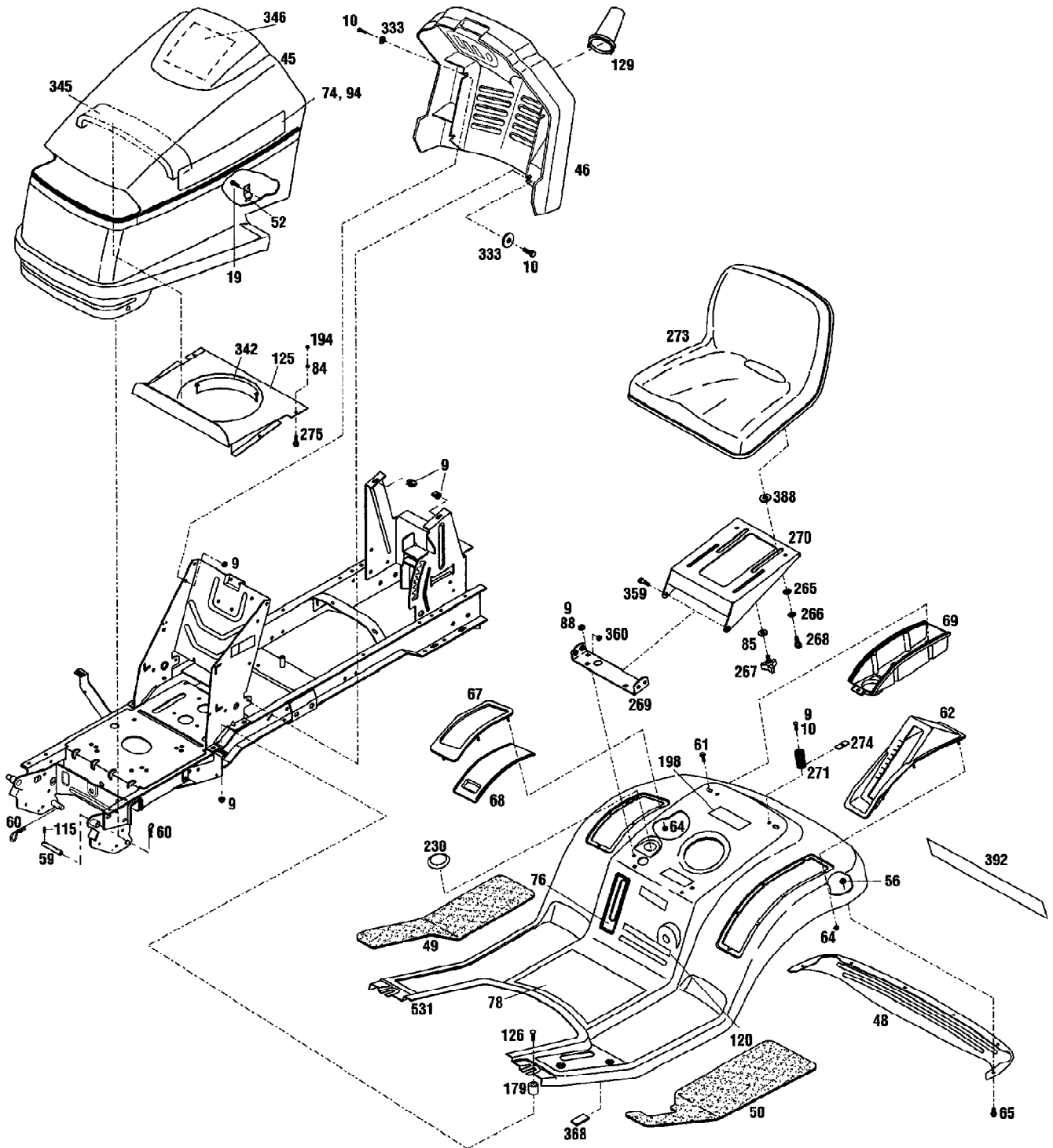


13104 15.5HP HydroStatic LTX Tractor (S/N 131041200101 - 131041299999) Page 2 of 21
14 & 15.5 HP Engine Assembly

Ref #	Part Number	Qty	S/P/F	Description
9	1186391	1	S	Flange Nut, 5/16-18
10	1100044	1	S	Hex Head Screw, 5/16-18 x 3/4
72	1807450	1		Clip
85	1107383	1	S	Flat Washer, 3/8
114	1768194	2	S	Hex Head Screw, 3/8-16 x 1-1/2
160	1772330	1	/P	Engine Sheave
163	1186231	1	S	Hex Nut, 3/8-16
167	1100243	1	S	Lockwasher 3/8
191	1754128	2	/P	Flange Screw, 1/4-20 x 3/4
277	1185985	2	S	Keps Locknut, 10-24
278	1735531	1	S	Cable Tie
315	1766341	1		Fuel Tank Pad
316	1766188	1	/P	Fuel Cap
317	1772814	1	/P	Fuel Tank (Incl. Refs. 533, 534 & 535)
318	1772884	1		Throttle Choke Control
320	1769006	1	S	Oil Drain Hose
322	1768865	1	S	Oil Valve Assembly (Incl. Ref. 539)
323	1766121	1	/P	Control Knob
324	1772810A	1		Muffler (Single Inlet)
327	1772388	1	S	Electric Clutch
329	1744454	1	S	Hex Head Screw, 7/16-20 x 3-1/4
331	1772385	1	/P	Clutch Retainer
332	1104337	1	S	Square Key, 1/4 x 1-1/2
334	1100244	1	S	Spring Lock Washer, 7/16
335	1762042	2		Hex Head Screw, 3/8-16 x 1
337	736-0119	2	S	Lock Washer, 5/16
338	710-1314	2	S	Socket Cap Screw, 5/16-18 x 5/8
347	1773576	4		Machine Screw, 10-24 x 3/4
351	1750687	2	S	Hose Clamp
352	1767879	1		Fuel Line
513	1727491	1	S	Fuel Filter
514	721-0208	1	S	Exhaust Gasket
533	1738433	1	S	Bushing
534	1751477	1	S	Fuel Tank Elbow
535	1768804	1	S	Fuel Tank Vent
539	1766326	1		Oil Drain Cap
998	710-0148	4	/P	Self Tapping Screw, #8-32 x 3/8
999	751-0564	1	S	Muffler Deflector



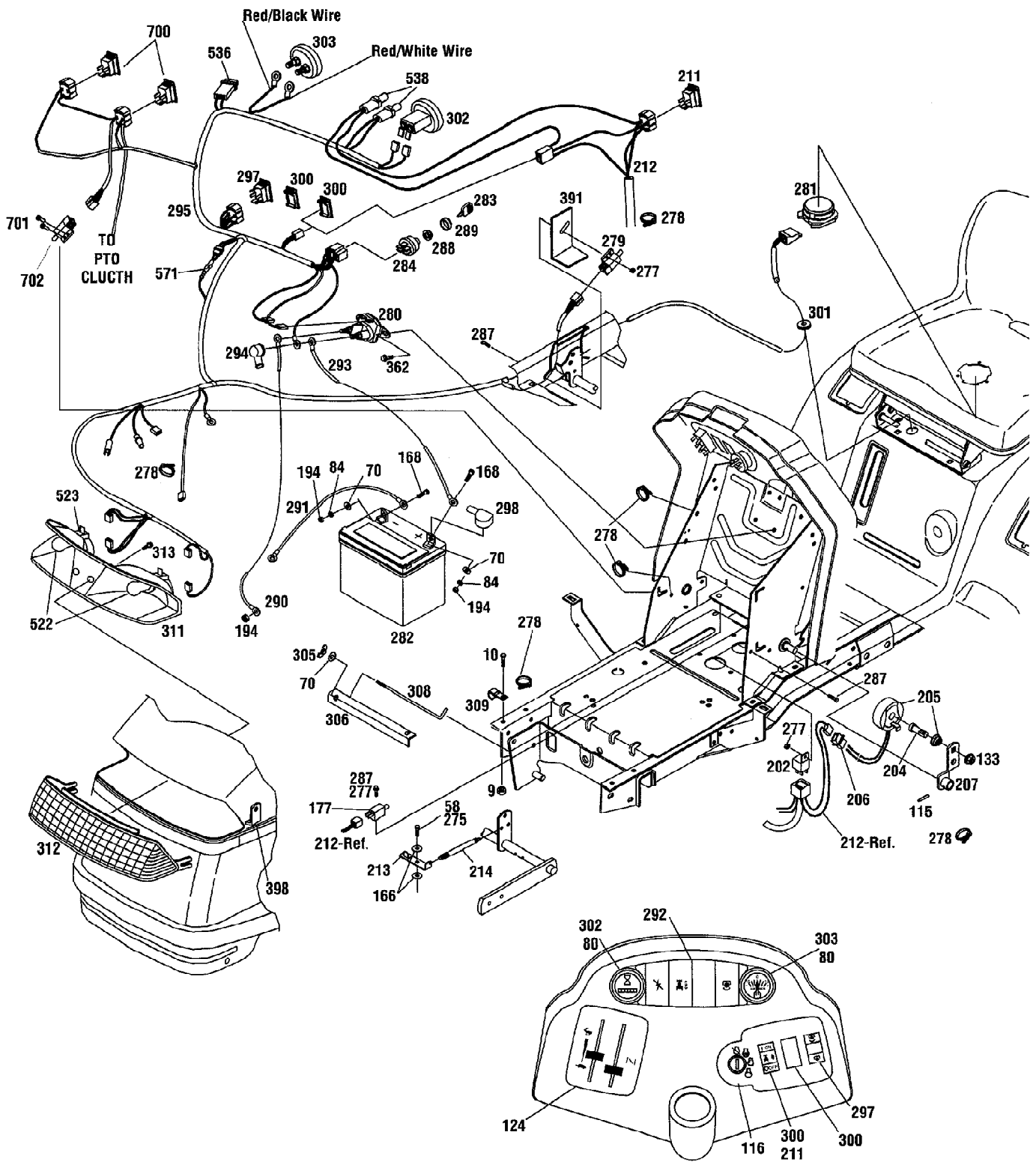
13104 15.5HP HydroStatic LTX Tractor (S/N 131041200101 - 131041299999) Page 4 of 21
Body & Trim Assembly

Ref #	Part Number	Qty	S/P/F	Description
9	1186391	12	S	Flange Nut, 5/16-18
10	1100044	8	S	Hex Head Screw, 5/16-18 x 3/4
19	1772878	4		Self Threading Screw, #10
45	1765382	1		Hood
46	1772896	1		Console
48	1765331010	1		Rear Fender Trim
49	1772846	1		Right Foot Pad
50	1772845	1	/P	Left Foot Pad
52	1773591	2		Latch
56	1186389	8	/P	Flange Nut, 1/4-20
?57	1761680	2	S	Self Threading Nut, 5/16-18
59	1773226	1	/P	Hood Pivot Pin
60	1723478	3	/P	Cotter Spring, 1/8
61	1186330	2	S	Screw, 5/16-18 x 7/8
62	1772979	1	/P	Lift Handle Cover Model 13123, Model 13104
?63	1901900	1	/P	American Legend Decal
64	1750532	12	S	Self-Threading Nut, 1/4
65	1186309	4	/P	Flange Screw, 1/4-20 x 1/2
67	1765493	1		Storage Top
68	1765492	1		Container Cover
69	1765494	1		Storage Container
74	191-5781	1		Logo Decal, L.H.
76	1773205	1		Fuel Level Decal
78	1772965	1		Tunnel Decal Model 13123, Model 13104
	1772966	1		Tunnel Decal Model 13105
84	1100241	2	S	Lockwasher, 1/4 SAE Model 13123, Model 13104
	1100241	4	S	Lockwasher, 1/4 SAE Model 13105
85	1107383	2	S	Flat washer, 3/8
88	1186097	4	S	Carriage Bolt, 5/16-18 x 5/8
94	191-5780	1		Logo Decal, R.H.
115	1120210	1		Drive Pin, 3/16 x 1
120	1773223	1		Height Indicator Decal
125	1773622001	1		Upper Heat Shield Model 13105
126	1186469	2	S	Carriage Bolt, 5/16-18 x 3/4
129	1773236	1		Steering Cover
?133	1723384	4	S	Washer
179	1730681	2	/P	Spacer
194	1186229	2	S	Hex Nut, 1/4-20 Model 13123, Model 13104
	1186229	4	S	Hex Nut, 1/4-20 Model 13105
198	1767876	1		Fuel Decal
230	1768787	1		Cap
265	1705793	2		Nylon Washer, 3/8
266	1706782	2	/P	Bowed Washer, 3/8
267	1734269	2		Adjusting Knob
268	1754125	2	/P	Shoulder Bolt, 3/8-18 x 1/2
269	1766075001	1		Seat Bracket
270	1766074001	1	/P	Seat Support
271	1766077	2	/P	Compression Spring
273	1774127	1		High Back Seat
274	1766347	2	/P	Spring Hold-Down Bracket

13104 15.5HP HydroStatic LTX Tractor (S/N 131041200101 - 131041299999) Page 5 of 21
Body & Trim Assembly

Ref #	Part Number	Qty	S/P/F	Description
275	1111599	2	S	Screw, 1/4-20 x 5/8 Model 13123, Model 13104
	1111599	4	S	Screw, 1/4-20 x 5/8 Model 13105
333	1723384	4	S	Flat Washer, 5/16 x 1-1/2
342	1767897	1		Heat Shield Gasket Model 13105
345	1767898	1		Sealing Strip Model 13105
346	1773105	1		Service Decal
359	1100913	2	S	Hex Head Screw, 3/8-18 x 7/8
360	1110108	2	S	Locknut, 3/8-16
368	1767995	1		Pad
388	1893445	2	S	Flat Washer, 3/8
392	1915505	1		Decal, Model Model 13123
	1772804	1		Decal, Model Model 13104
	1772805	1		Decal, Model Model 13105
531	1772963	1		Rear Fender (Incl. Refs. 78 & 198); Model 13123, Model 13104
	1772964	1		Rear Fender (Incl. Refs. 78 & 198); Model 13105
?600	1735222	1	/P	Black Spray Paint, 13 oz. Not included with unit-order separately.
?601	1900706	1	S	Red Spray Paint, 13 oz. Not included with unit-order separately.

13104 15.5HP HydroStatic LTX Tractor (S/N 131041200101 - 131041299999) Page 6 of 21
Electrical Assembly

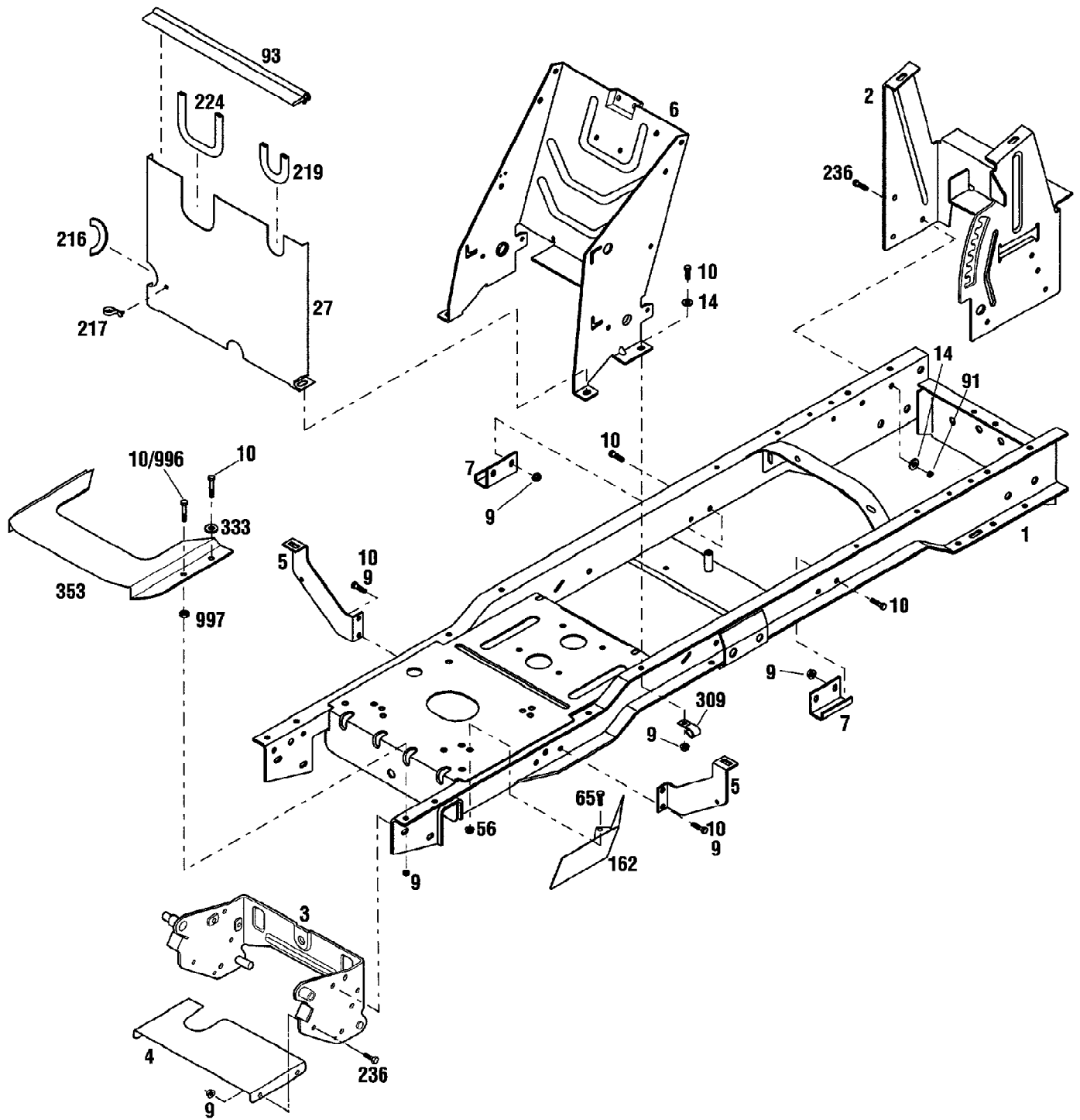


13104 15.5HP HydroStatic LTX Tractor (S/N 131041200101 - 131041299999) Page 7 of 21
Electrical Assembly

Ref #	Part Number	Qty	S/P/F	Description
9	1186391	1	S	Flange Nut, 5/16-18 Model 13123, Model 13104
10	1100044	1	S	Hex Head Screw, 5/16-18 x 3/4 Model 13123, Model 13104
58	1734398	1	S	Top Locknut, 1/4-20 Model 13105
70	1107381	3	S	Flat Washer, 1/4
80	1772950	2		Cap Model 13123, Model 13104
84	1100241	2	S	Lockwasher, 1/4 SAE
115	1120210	1		Drive Pin, 3/16 x 1 Model 13105
116	1772916	1		Ignition Decal
124	1772915	1		Control Decal Model 13123
	1772914	1		Control Decal Model 13104, 13105
133	1186396	1		Flange Nut, 7/16-20 Model 13105
166	1720883	2	/P	Washer, 1/4 x 1-1/4 Model 13105
168	1100805	2	S	Hex Head Screw, 1/4-20 x 3/4
177	1748723	1	/P	Push-Button Switch Model 13105
194	1186229	3	S	Hex Nut, 1/4-20
202	1749907	1	/P	Relay Model 13105
204	1750736	1	/P	Special Screw Model 13105
205	1768971	1	/P	Magnet Model 13105
206	1767852	1		Housing Pin Terminal Model 13105
207	1773617	1		Cruise Arm Model 13105
211	1766350	1	/P	Cruise Switch Model 13105
212	1766351	1		Cruise Harness Model 13105
213	1767803	1		Cruise Arm Model 13105
214	1767822	1		Spring Model 13105
275	1111599	1	S	Hex Head Screw, 1/4-20 x 5/8
277	1185985	5	S	Keps Nut, #10-24
278	1735531	5	S	Cable Tie
279	1751328	1	S	Push-Button Switch
280	1752137	1	S	Solenoid
281	1768882	1	/P	Seat Switch
282	725-1737	1	S	Battery
283	1753986	1	/P	Key
284	1754250	1	S	Ignition Switch
287	1758070	5	S	Sems Screw, #10-24 x 5/8
288	1758146	1	S	Ignition Switch Mounting Nut
289	1758147	1	S	Cap
290	1764898	1	S	Starter Cable
291	1764886	1		Negative Battery Cable
292		1		UNKNOWN
293	1764888	1		Battery Cable
294	1764890	1		Solenoid Boot
295	629-3051	1	/P	Main Harness Model 13123, Model 13104
	629-3052	1		Main Harness Model 13105
297	1771865	1	/P	PTO Switch
298	1764888	1		Terminal Boot
300	1766184	1		Switch Cover Model 13123, Model 13104
301	1772922	1		Grommet
302	1757364	1	S	Hour Meter Model 13105
303	1725031	1	S	Ammeter Model 13105
305	1709652	1		Wing Locknut, 1/4-20

13104 15.5HP HydroStatic LTX Tractor (S/N 131041200101 - 131041299999) Page 8 of 21
Electrical Assembly

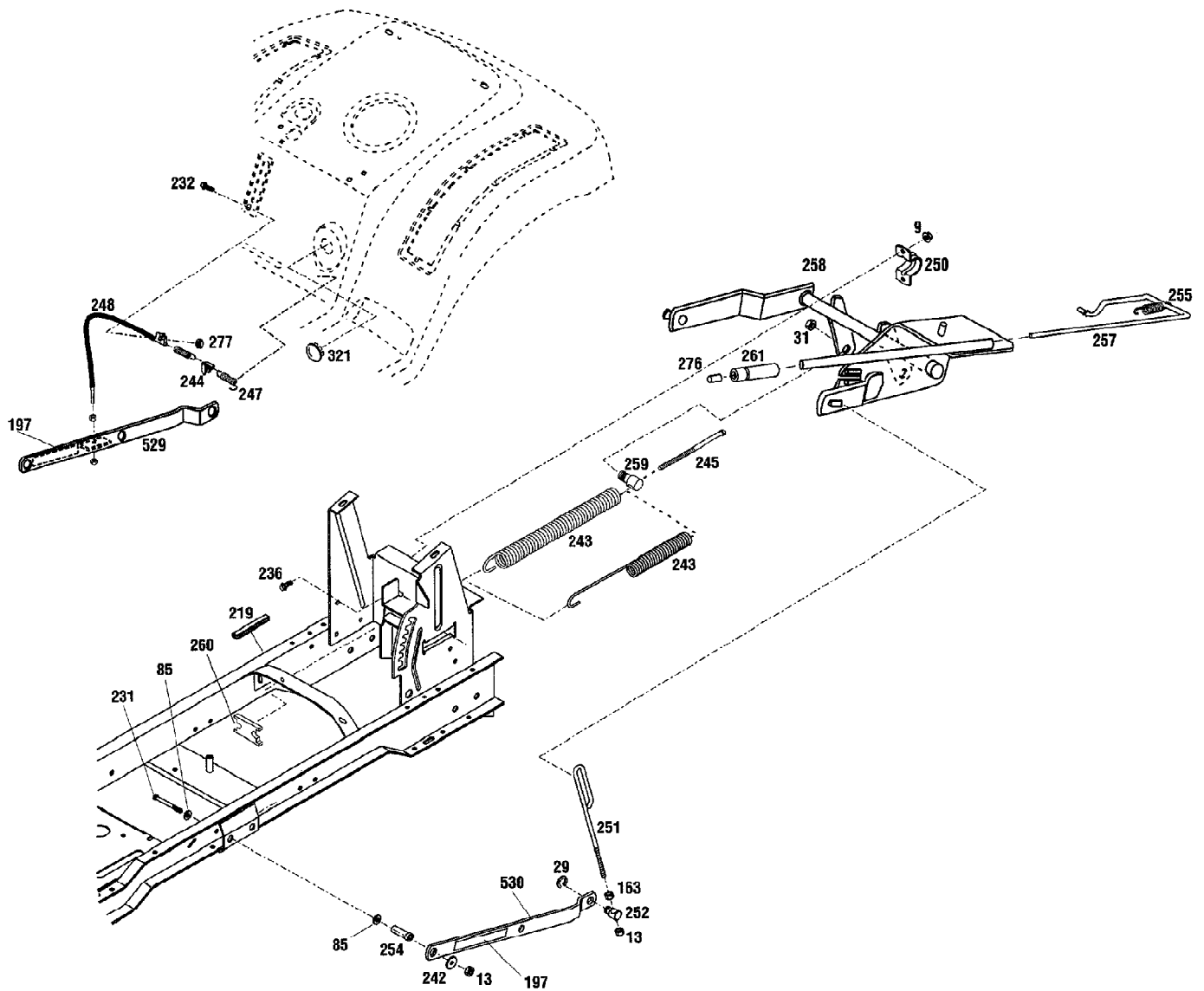
Ref #	Part Number	Qty	S/P/F	Description
306	1765258001	1	S	Battery Clamp
308	1766163	1	S	Hook Bolt
309	1747738	1	/P	J-Clamp
311	1772002	1	/P	Headlight Reflector
312	1765400	1	/P	Lens
313	1185712	2		Self-Threading Screw
362	1724492	2		Self-Tapping Screw, 1/4-20 x 1/2
391	1772387	1		Switch Bracket
398	1772906	2		Clip
522	1772001	2	S	Headlight Bulb
523	1752875	2		Socket
536	1768969	1	S	Fuse
538	1764897	2	S	Panel Light Bulb
571	1755616	1		Diode
700	725-1648	2	S	Relay
701	710-1003	1	/P	Tap Screw, #10-16 x 5/8
702	725-1657A	1	S	Safety Switch
703	721-0342	1	S	Relay Gasket (Not Shown)



13104 15.5HP HydroStatic LTX Tractor (S/N 131041200101 - 131041299999) Page 10 of 21
Frame Assembly

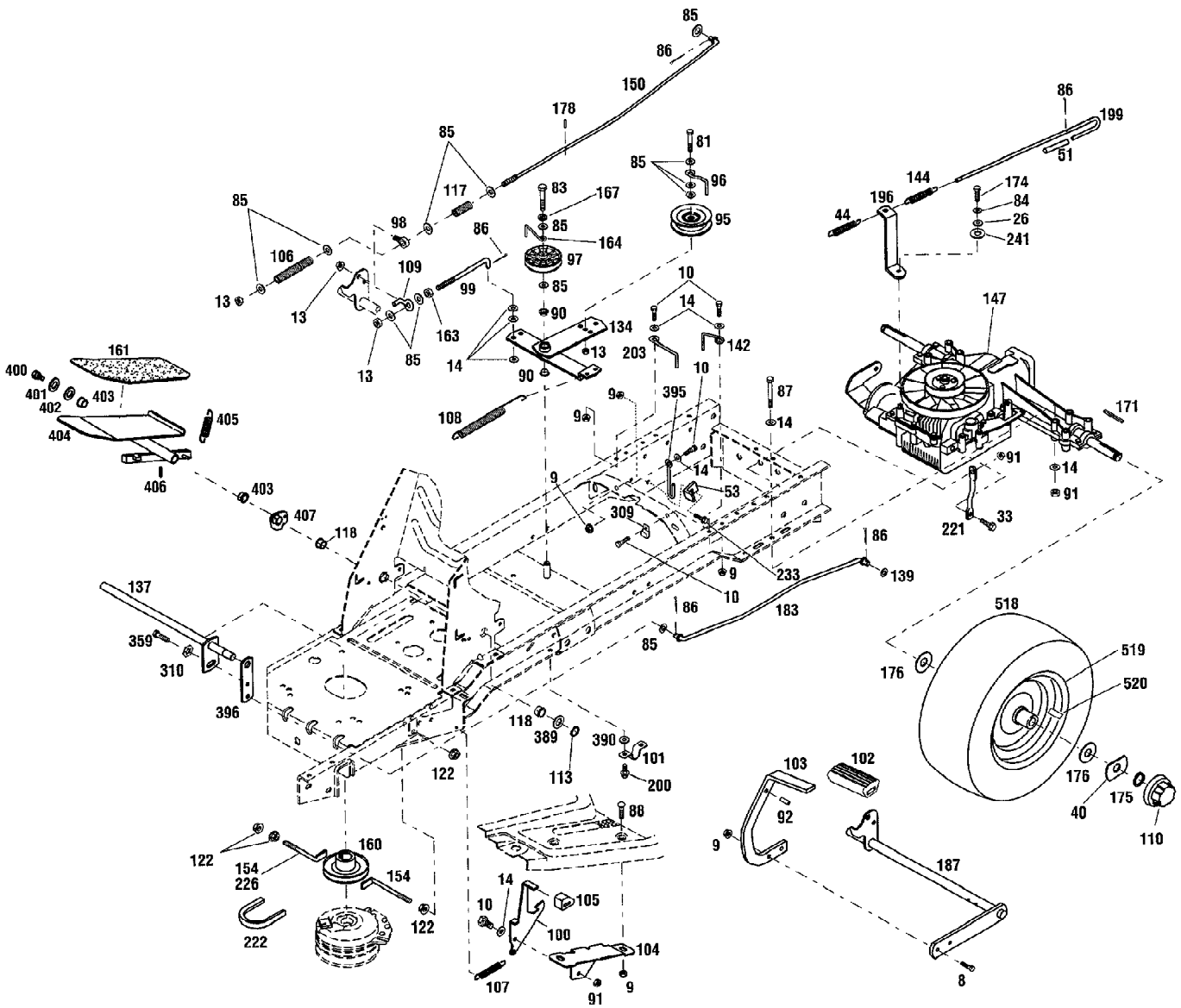
Ref #	Part Number	Qty	S/P/F	Description
1	1772924001	1	/P	Frame
2	703-3308	1		Rear Tank Support
3	1772809001	1		Attachment Bracket
4	1772807001	1		Heat Shield
5	1765431001	2		Fender Support Model 13123, Model 13104
	1765431001	1		Fender Support Model 13105
6	703-3293	1		Console Support
7	1766086001	2		Mower Stop Model 13105
9	1186391	20	S	Flange Nut, 5/16-18
10	1100044	18	S	Hex Head Screw, 5/16-18 x 3/4
?11	1185798	4		Hex Head Screw, 3/8-18 x 1/2
14	1107382	8	/P	Flat Washer, 5/16
27	1768826001	1		Heat Shield Model 13105
56	1186389	1	/P	Flange Nut, 1/4-20
65	1186309	1	/P	Flange Screw, 1/4-20 x 1/2
91	1732499	4	/P	Locknut, 5/16-18
93	1768834	1		Heat Shield Gasket Model 13105
162	1767874001	1		Upper Heat Shield Model 13105
216	1768835	1		Trim Model 13105
217	1745366	1		Cable Hanger Model 13105
219	1752694	1		Trim Model 13105
224	1768840	1		Trim Model 13105
236	1186329	8	S	Flange Screw, 5/16-18 x 3/4
309	1747738	1	/P	J-Clamp
333	1723384	1	S	Flat Washer, 5/16 x 1-1/2
353	1772982001	1		Heat Shield Model 13105
996	710-0376	2	/P	Hex Head Screw, 5/16-18 x 1 Model 13123, Model 13104
997	750-1032	1	/P	Spacer Model 13123, Model 13104

13104 15.5HP HydroStatic LTX Tractor (S/N 131041200101 - 131041299999) Page 11 of 21
Lift Assembly



13104 15.5HP HydroStatic LTX Tractor (S/N 131041200101 - 131041299999) Page 12 of 21
Lift Assembly

Ref #	Part Number	Qty	S/P/F	Description
9	1186391	4	S	Flange Nut, 5/16-18
13	1733398	4	S	Hex Top Locknut, 3/8-16
29	1177567	2	S	Retaining Ring, 5/8
31	1758231	1	S	Hex Top Locknut, 5/8-11
85	1107383	4	S	Flat Washer, 3/8
163	1186231	2	S	Hex Nut, 3/8-16
197	1773104	2		Warning Decal
219	1752694	1		Trim
231	1111614	2	S	Hex Head Screw, 3/8-16 x 3
232	1773610	1	S	Screw, 10-24 x 5/16
236	1186329	4	S	Flange Screw, 5/16-18 x 3/4
242	1763355	2	S	Flat Washer, 3/8 x 1-1/2
243	1773138	1		Lift Assist Spring Model 13123
	1772867	1		Lift Assist Spring Model 13104
244	1773201	1	/P	Height Indicator
245	1773138	1		Lift Assist Screw
247	1773206	1		Extension Spring
248	1773183	1		Cable Assembly
250	1772806	2		Lift Clamp
251	1772868	2		Lift Rod
252	1772438	2	/P	Rear Lift Swivel
254	1766080	2		Spacer
255	1772873	1		Extension Spring
257	1772870	1	/P	Rod
258	1772851001	1		Lift Assembly
259	1772871	1		Pivot Block
260	1772872	1		Spring Anchor
261	1768340	1		Lift Grip
276	1772885	1		Lift Button
277	1185958	1		Keps Nut, 10-24
321	1772165	1		Dome Cap
529	1772961	1		Right Lift Link Assembly (Incl. Ref. 197)
530	1772962	1		Left Lift Link Assembly (Incl. Ref. 197)



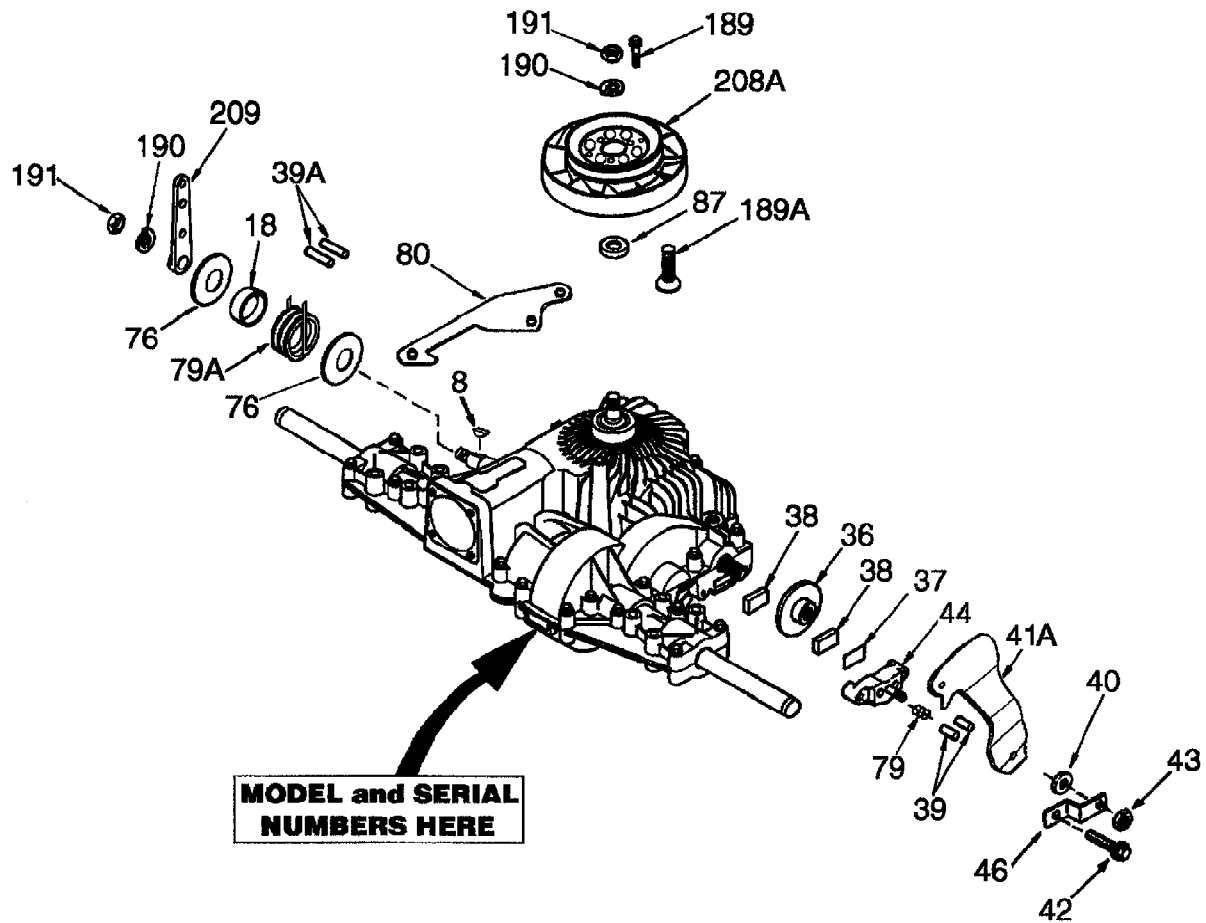
13104 15.5HP HydroStatic LTX Tractor (S/N 131041200101 - 131041299999) Page 14 of 21
Peerless VST 205 Hydro Transmission Assembly

Ref #	Part Number	Qty	S/P/F	Description
8	1100045	2	S	Hex Head Screw, 5/16-18 x 1
9	1186391	9	S	Flange Nut, 5/16-18
10	1100044	4	S	Hex Head Screw, 5/16-18 x 3/4
13	1733398	4	S	Locknut, 3/8-16
14	1107382	15	/P	Flat Washer, 5/16
26	1100254	1	S	Flat Washer, 1/4
33	1766984	1	/P	Flange Lock Screw, 5/16-18 x 3/4
40	1766241	2	/P	Special Washer, 3/4 x 2-1 /2
44	1765307	1		Extension Spring Later Models
51	1767984	1		Grip Later Models
53	1772776	1		Stop Bracket
81	1100048	1	S	Hex Screw, 3/8-16 x 2
83	1100086	1	S	Hex Screw, 3/8-16 x 1-3/4
84	1100241	1	S	Locknut, 1/4
85	1107383	14	S	Flat Washer, 3/8
86	1100346	5	S	Cotter Pin, 3/32 x 3/4
87	1111609	4	S	Hex Screw, 5/16-16 x 2-3/4
88	1186097	2	S	Carriage Bolt, 5/16-18 x 5/8
90	1715538	2	/P	Nyliner Bushing
91	1732499	5	/P	Locknut, 5/16-18
92	1770205	1		Drive Pin, 5/16 x 3/4
95	1756151	1	/P	Idler Pulley
96	1760096	1	/P	Belt Guide
97	1760097	1	/P	Idler Pulley
98	1769038	1		Swivel
99	1772460	1		Clutch Rod
100	1771514	1		Brake Lock Latch
101	1765156	2		Clip, 3/4
102	1765167	1		Foot Pedal Pad
103	1772741	1		Brake Pedal
104	1765257	1		Brake Lock Bracket
105	1765297	1		Brake Pad
106	1765305	1		Compression Spring
107	1985140	1		Extension Spring
108	1765402	1	/P	Extension Spring
109	1765461	1		Pivot Rod
110	1766215	2		Hub Cap
113	1118808	1	/P	Retaining Ring
?115	1120210	1		Drive Pin, 3/16 x 1
117	1755319	1		Compression Spring
118	1185802	2		Flange Bearing, 5/8
122	1186393	4	/P	Flange Nut, 3/8-16
?123	1715301	1	/P	Thrust Washer, 5/8 x 1 1/8
134	1765064	1	/P	Idler Arm
137	603-0644	1		Hydro Pivot Shaft
139	1890945	1	S	Flat Washer, 3/8
142	1772191	1		Belt Guide
144	1720928	1		Extension Spring
147	1772033	1		Transmission, Peerless Model VST 205 (See "Peerless VST 205 Hydro Transmission Breakdown" illustration and parts list for breakdown.)
150	1772208	1		Brake Rod

13104 15.5HP HydroStatic LTX Tractor (S/N 131041200101 - 131041299999) Page 15 of 21
Peerless VST 205 Hydro Transmission Assembly

Ref #	Part Number	Qty	S/P/F	Description
154	1766025	1	/P	Clutch Retainer
?158	1773231001	1		Hydro Pedal
160	1772330	1	/P	Engine Pulley
161	1772844	1		Foot Pedal Pad
163	1186231	1	S	Hex Nut, 3/8-18
164	1767900	1		Belt Guide
167	1100243	1	S	Lockwasher, 3/8
171	1983110	2	/P	Key
174	1111683	1	S	Hex Head Screw, 1/4-28 x 1 Later Models
175	1185388	2	S	Retaining E-ring, 5/8
176	1747998	4		Flat Washer, 3/4 x 1-7/8
178	1724885	1	/P	Roll Pin
183	1772222	1		Hydro Control Rod
187	1772728	1		Brake Pedal
200	1724491	4	S	Flange Lock Screw, 5/16-18 x 3/4
196	1773676	1		Dump Valve Arm Later Models
199	1773659	1		Dump Valve Rod Later Models
203	1773156	1		Belt Guide
221	1772207	1		Transmission Support
222	1772253	1	/P	V-Belt
226	1773624	1		Belt Guide
233	1186328	1	S	Flange Screw, 5/16-18 x 5/8
241	1738490	1	/P	Special Flat Washer Later Models
309	1747738	1	/P	J Clamp
310	1185715	1	/P	Special Lockwasher
359	1100913	1	S	Hex Head Screw, 3/8-18 x 7/8
389	1730375	2		Flat Washer, 5/8
390	1705108	4	S	Flat Washer, 3/8
395	1772208	1		Brake Rod Guide
396	1772223	1		Control Arm
400	738-0322	1	S	Shoulder Screw, 5/8 x 2
401	736-0349	1	S	Flat Washer, 5/8
402	736-0349	1	S	Flat Washer, 5/8
403	741-0495	2	/P	Flange Bearing
404	603-0641	1		Hydrostatic Foot Pedal
405	732-0395	1	S	Extension Spring
406	1120210	1		Roll Pin
407	603-0637	1		Cam Assembly
518	1766275	2		Tire, 20 x 8.00-10
519	1765607	2	/P	Rim
520	1718086	2	S	Valve Stem

**Purchase transmission parts from your Tecumseh/Peerless dealer.
Refer to illustration for model/serial number location.**



13104 15.5HP HydroStatic LTX Tractor (S/N 131041200101 - 131041299999) Page 17 of 21
Peerless VST 205 Hydro Transmission Breakdown

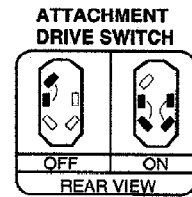
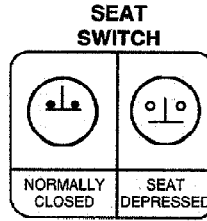
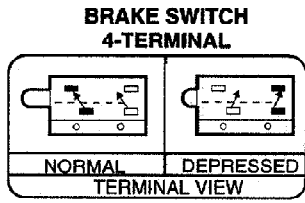
Ref #	Part Number	Qty	S/P/F	Description
8	792175	1		Woodruff Key
18	786173	1		Spacer
36	790075	1		Brake Disk
37	790007	1	S	Brake Pad Plate
38	799021	2		Brake Pad (pkg of 2)
39	786026	2	S	Dowel Pin
39A	786174	2		Dowel Pin
40	792076A	1		Flat Washer
41A	790081	1		Brake Lever
42	792073	2		Screw 1/4-20 x 1-1/4
43	792075	1		Locknut 5/16-24
44	790025	1		Brake Pad Holder
46	786086	1		Brake Lever Bracket
76	792174	2		Flat Washer
79	792144	1		Spring
79A	798027	1		Neutral Return Spring
80	798030	1		Control Lever Stop
87	788035	1		Oil Seal 5/8
189	792168	3		Drive Screw #6 x 1/2
189A	792171	3		Screw 10-24 x 1/2
190	792150	2		Lock washer
191	792151	2		Nut 7/16-20
208A	798031	1		Fan/Coupling Assy 2WS (Incl. Ref. 189 & 189A)
209	798024	1		Control lever

13104 15.5HP HydroStatic LTX Tractor (S/N 131041200101 - 131041299999) Page 19 of 21
Steering Assembly

Ref #	Part Number	Qty	S/P/F	Description
12		1		UNKNOWN
15	1766027	1	/P	Premium Steering Wheel
16	1772929	1		Steering Support Bearing
17	1765010	1	/P	Steering Shaft
18	1771039	1		Pinion Gear
20	1771320	1	/P	Steering Gear Assembly
22	1766221	1		Steering Wheel Cap
23	1185284	1	S	Roll Pin, 1/4 x 2
24	1185348	1	S	Drive Pin, 1/4 x 1 1/4
28	1705092	1	S	Special Washer, 5/8 x 1
29	1177567	1	S	Retaining Ring, 5/8
30	1768796	2	S	Locking Jam Nut, 1/2-20
31	1758231	1	S	Top Locknut, 5/8-11
32	1767953	1		Hex Head Screw, 5/8-11 x 2 3/4
33	1766984	4	/P	Flange Lock Screw, 5/16-18 x 3/4
34	1765315	1		Drag Link
35	1186247	1	S	Hex Jam Nut, 1/4-20
36	1716180	1		Ball Joint
40	1766241	2	/P	Special Washer, 3/4 x 2 1/2 Model 13123, Model 13104
41	1185830	2	S	Special Washer, 3/4 x 1-3/8 Model 13123, Model 13104
42	1768883001	1	/P	Tie Rod
43	1185689	4		Retaining Ring Model 13105
55	1894062	2	/P	Shoulder Bolt, 3/4-24
56	1186389	2	/P	Flange Nut, 1/4-20
65	1186309	2	/P	Flange Screw, 1/4-20 x 5/8
71	1110150	2	S	Self Lock Nut, 3/4-24
110	1766215	2		Hub Cap
146	1766242	2	/P	Special Washer, 1 x 2-1/2 Model 13105
175	1185388	4	S	Retaining Ring Model 13123, Model 13104
190	1748415	1		Compression Spring
256	1705093	1	S	Flat Washer, 5/8 x 1"
366	1100266	1	S	Flat Washer, 5/8
387	1731504	1	S	90° Grease Fitting
501	1765263001	1		Left-Hand Spindle Model 13123, Model 13104
	1765316001	1		Left-Hand Spindle Model 13105
503	1764140	4	/P	Axle Bushing, Model 13123, Model 13104
	1752556	4		Axle Bushing Model 13105
504	1701447	2	/P	Special Washer, 3/4 Model 13123, Model 13104
	1703073	4	/P	Special Washer, 1" Model 13105
507	1765169001	1		Front Axle Model 13123, Model 13104
	1772154001	1		Front Axle Model 13105
508	1765004001	1		Right-Hand Spindle Model 13123, Model 13104
	1765317001	1		Right-Hand Spindle Model 13105
509	1762254	2	S	Tire, 15 x 6.00 BRS Model 13123, Model 13104

13104 15.5HP HydroStatic LTX Tractor (S/N 131041200101 - 131041299999) Page 20 of 21
Steering Assembly

Ref #	Part Number	Qty	S/P/F	Description
	1768792	2	S	Tire, 16 X Model 13105
510	1767276	2	/P	15" Rim Assembly Model 13123, Model 13104
	1766073	2		16" Rim Assembly Model 13105
511	1718086	2	S	Valve Stem
512	1185816	4	/P	Wheel Bearings Model 13123, Model 13104
	1756524	4	/P	Wheel Bearings Model 13105
532	1185976	4	S	Grease Fitting



ITEM CODE	
1	Magneto
2	Alternator
3	Fuel Solenoid
4	Headlights
5	Attachment Clutch
6	Diode Assembly
7	Starter
8	Seat Plug with Switch
10	Connector
11	Battery
12	Fuse
13	Start Solenoid
15	Brake Switch
17	Key Switch
19	Attachment Switch
20	Attachment Light
21	Start Light
30	Accessory Plug

WIRE COLOR CODE	
BK	Black
BL	Blue
P	Purple
R	Red
W	White
Y	Yellow
R/W	Red/White
R/B	Red/Black
R/Y	Red/Yellow
Y/R	Yellow/Red
W/B	White/Black
Y/B	Yellow/Black

