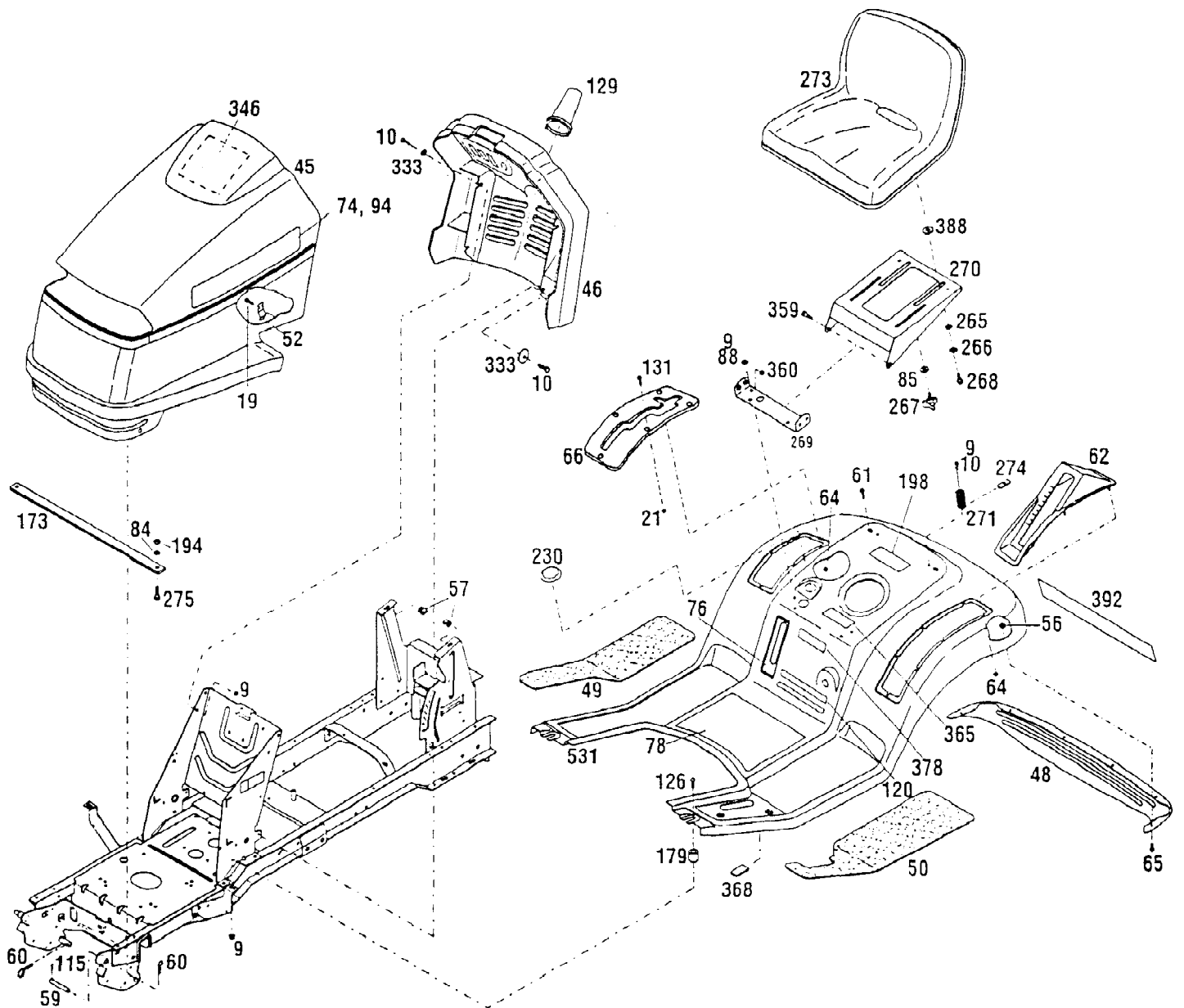
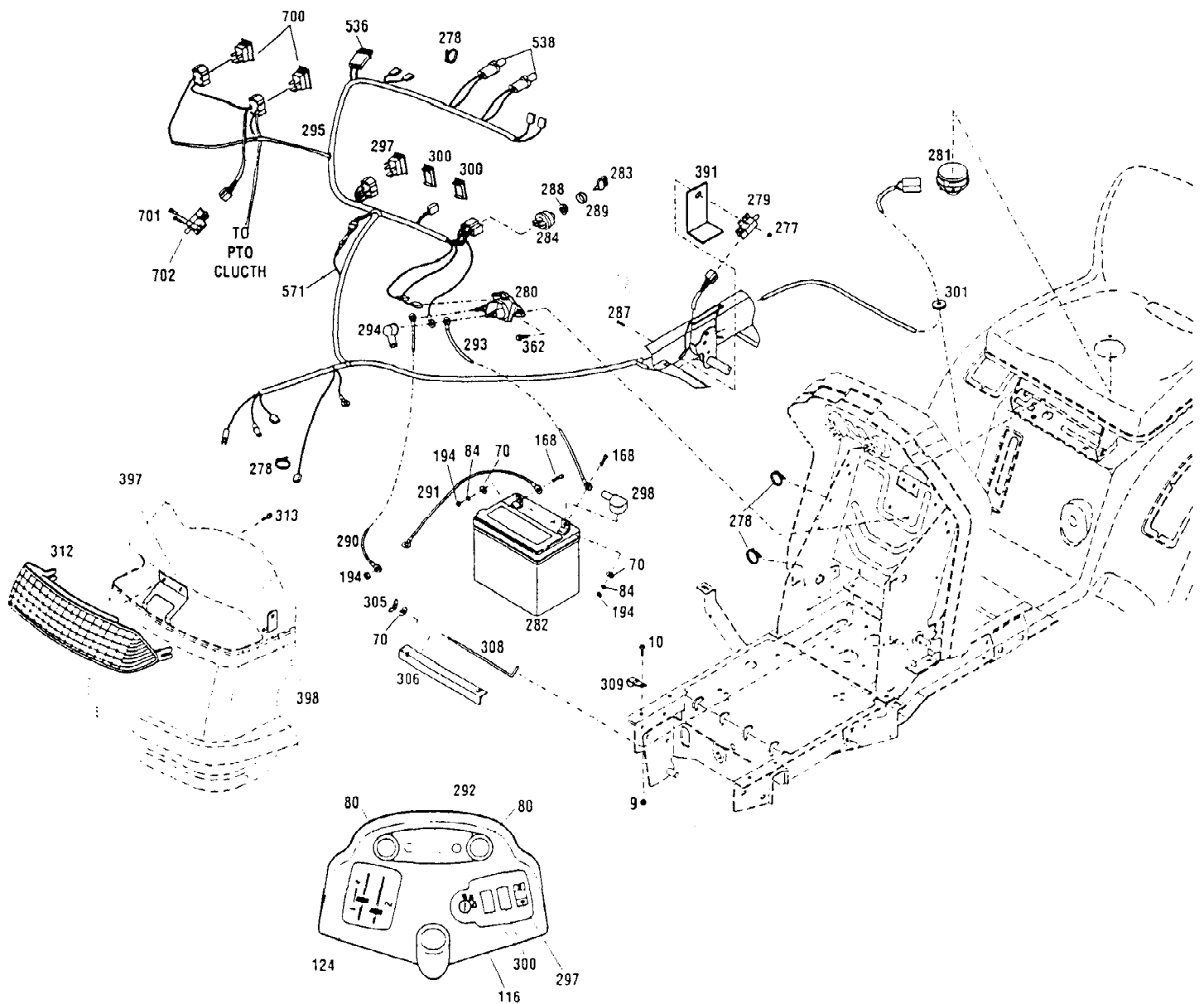


Ref #	Part Number	Qty	S/P/F	Description
9	1186391	1	S	Flange Nut, 5/16-18
10	1100044	1	S	Hex Head Screw, 5/16-18 x 3/4
70	1107381	2	S	Flat Washer, 1/4
72	1807450	1		Clip
84	1100241	2	S	Lock Washer, 1/4 SAE
85	1107383	1	S	Flat Washer, 3/8
114	1768194	2	S	Hex Head Screw, 3/8-16 x 1-1/2
160	1766200	1	/P	Engine Sheave
163	1186231	2	S	Nut, 3/8-16
167	1100243	1	S	Lock Washer, 3/8
184	1111600	1	S	Hex Head Screw, 1/4-20 x 7/8
189	1100806	1	S	Hex Head Screw, 1/4-20 x 1-1/4
277	1185985	2	S	Keps Nut, 10-24
278	1735531	1	S	Cable Tie
315	1766341	1		Fuel Tank Pad
316	1766188	1	/P	Fuel Cap
317	1772814	1	/P	Fuel Tank (Incl. Refs. 533, 534 & 535)
318	1772884	1		Throttle Control
320	1769006	1	S	Oil Drain Hose
322	1768865	1	S	Oil Valve Assembly (Incl. Ref. 539)
323	1766121	1	/P	Control Knob
324	1772815	1		Muffler
325		1		Engine, 13 HP Purchase engine parts from you Briggs & Stratton dealer. Refer to engine for type and code.
327	1772388	1	S	Electric Clutch
?328	1744455	1	/P	Special Washer
329	1744454	1	S	Hex Head Cap screw, 7/16-20 x 3
331	1772385	1	/P	Clutch Retainer
332	1104337	1	S	Square Key, 1/4 x 1-1/2
334	1100244	1	S	Spring Lock Washer, 7/16
335	1762042	2		Screw, 3/8-16 x 1
337	1185140	2	S	Special Lock Washer, 5/16
338	1747993	2	S	Screw, 5/16-18 x 3/4
347	1773576	2		Machine Screw, 10-24 x 3/4
351	1750687	2	S	Hose Clamp
352	1767879	1		Fuel Line
513	1727491	1	S	Fuel Filter
514		1		Muffler Gasket Purchase engine parts from you Briggs & Stratton dealer. Refer to engine for type and code.
533	1738433	1	S	Bushing
534	1751477	1	S	Fuel Tank Elbow
535	1768804	1	S	Fuel Tank Vent
539	1766326	1		Oil Drain Cap

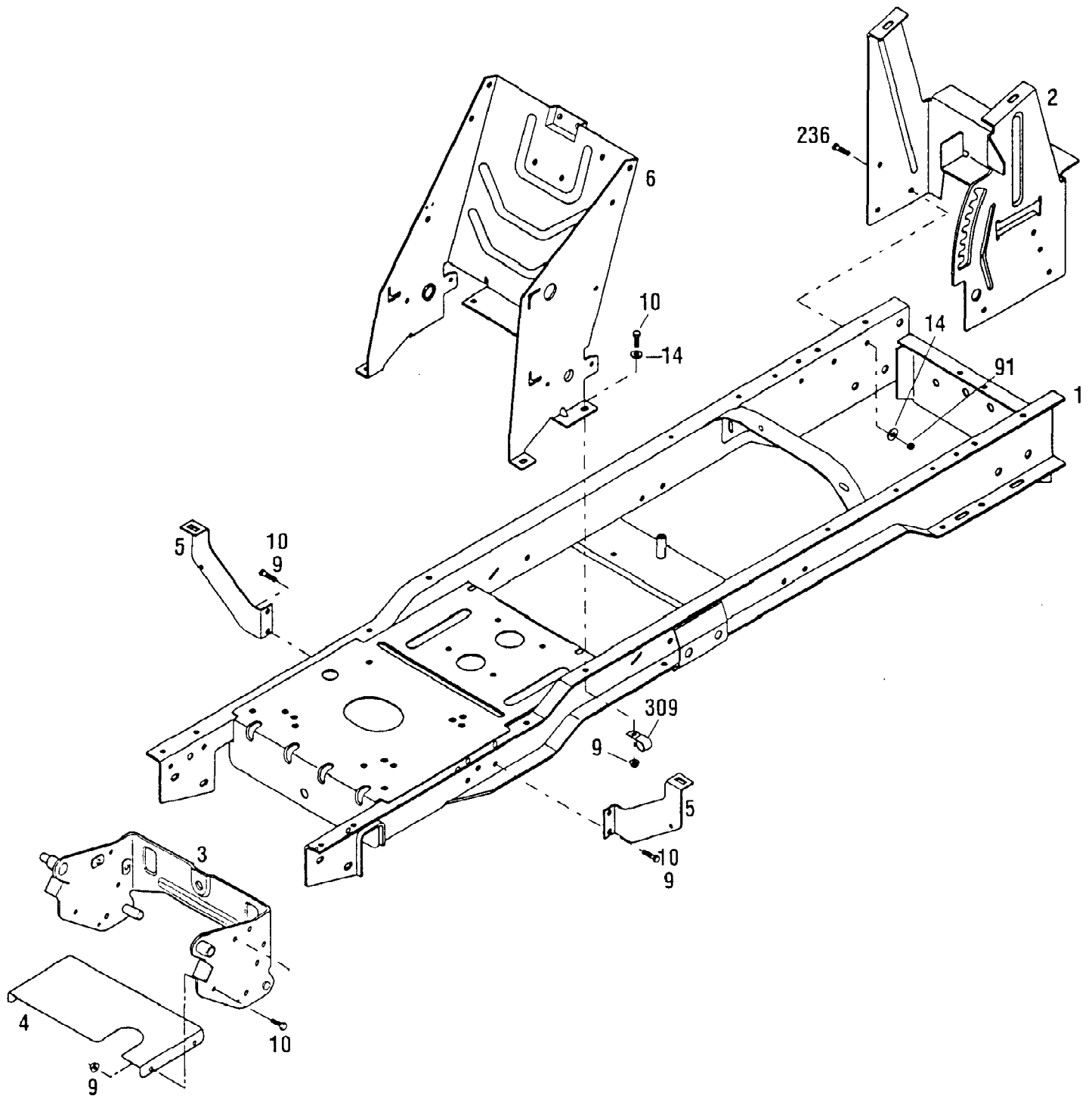


Ref #	Part Number	Qty	S/P/F	Description
?1	1771825001	1	S	Frame
9	1186391	12	S	Flange Nut, 5/16-18
10	1100044	6	S	Hex Head Capscrew, 5/16-18 x 3/4
19	1772878	4		Self Threading Screw, #10
21	1817146	5	S	Nylon Locknut 1/4-20
45	1765382	1		Hood
46	1772896	1		Console
48	1765331010	1		Rear Fender Trim
49	1772846	1		Right Foot Pad 1
50	1772845	1	/P	Left Foot Pad
52	1773591	2		Latch
56	1186389	6	/P	Flange Nut, 1/4-20
57	1761680	2	S	Self-Retaining Nut, 5/16-18
59	1773226	1	/P	Hood Pivot Pin 1
60	1723478	3	/P	Cotter Spring, 1/8
61	1186330	2	S	Screw, 5/16-18 x 7/8
62	1772979	1	/P	Lift Handle Cover
?63	1901900	1	/P	Decal, American Legend 1
64	1750532	7	S	Self-Threading Nut, 1/4
65	1186309	6	/P	Flange Screw, 1/4-20 x 1/2
66	1772881	1		Quadrant
74	1773163	2		Decal, Logo
76	1773205	1		Decal, Fuel Level
78	1772965	1		Decal, Tunnel
84	1100241	2	S	Lock Washer, 1/4
85	1107383	2	S	Flat Washer, 3/8
88	1186097	4	S	Carriage Bolt, 5/16-18 x 5/8
94	1773162	1		Decal, Logo, Right
115	1120210	1		Drive Pin, 3/16 x 1
120	1773223	1		Decal, Height Indicator
126	1186469	2	S	Carriage Bolt, 5/16-18 x 3/4
129	1773236	1		Steering Cover
131	1772882	5	S	Screw, 1/4-20 x 5/8
173	1773623001	1		Hood Strap
179	1730681	2	/P	Spacer
194	1186229	2	S	Nut, 1/4-20
198	1767876	1		Decal, Fuel
230	1768787	1		Plug
265	1705793	2		Nylon Washer, 3/8
266	1706782	2	/P	Bowed Washer, 3/8
267	1734269	2		Adjusting Knob
268	1754125	2	/P	Shoulder Bolt, 3/8-16
269	1766075001	1		Seat Bracket
270	1766074001	1	/P	Seat Support
271	1766077	1	/P	Compression Spring 2
273	1770235	1		Seat
274	1766347	2	/P	Spring Hold-Down Bracket
275	1111599	2	S	Screw, 1/4-20 x 5/8
333	1723384	4	S	Flat Washer 5/16 x 1-1/2
346	1773105	1		Decal, Service
359	1100913	2	S	Hex Head Cap screw, 3/8-16 x 7/8
360	1110108	2	S	Locknut, 3/8-16
365		1		UNKNOWN

Ref #	Part Number	Qty	S/P/F	Description
368	1767995	1		Pad
378		1		UNKNOWN
392	1772261	1		Decal, Model
388	1893445	2	S	Flat Washer
531	1772963010	1		Rear Fender (Incl. Refs. 63, 78 & 198)
600	1735222	1	/P	Black Spray Touch-up Paint, 13 oz. Not included with unit; order separately.
601	1900706	1	S	Red Spray Touch-up Paint, 13 oz. Not included with unit; order separately.

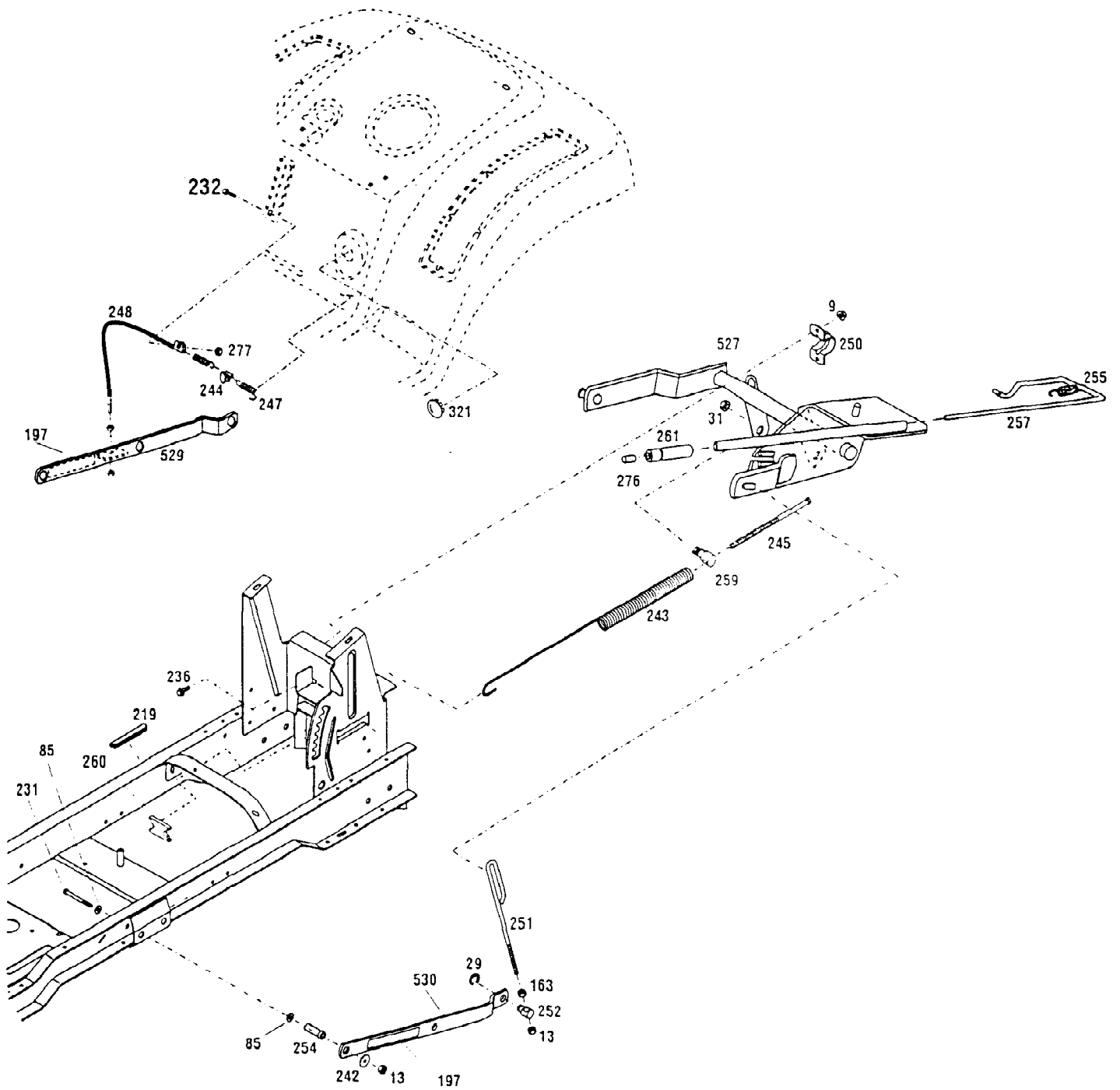


Ref #	Part Number	Qty	S/P/F	Description
9	1186391	1	S	Flange Nut, 5/16-18
10	1100044	1	S	Hex Head Screw, 5/16-18 x 3/4
70	1107381	6	S	Flat Washer, 1/4
80	1772950	2		Cap
84	1100241	2	S	Lock Washer, 1/4 SAE
116	1772916	1		Ignition Decal
124	1772915	1		Control Decal
168	1100805	2	S	Screw, 1/4-20 x 3/4
194	1186229	3	S	Nut, 1/4-20
277	1185985	2	S	Keps Nut, #10-24
278	1735531	4	S	Cable Tie
279	1751328	1	S	Clutch/Brake Interlock Switch
280	1752137	1	S	Solenoid
281	1768882	1	/P	Seat Switch
282	725-1737	1	S	Battery (Service only)
283	1753986	1	/P	Key
284	1754250	1	S	Ignition Switch
287	1758070	2	S	Sems Screw, #10-24 x 5/8
288	1758146	1	S	Ignition Switch Mounting Nut
289	1758147	1	S	Cap
290	1764898	1	S	Starter Cable
291	1764886	1		Negative Battery Cable
292	1772917	1		Warning Lens
293	1764888	1		Positive Battery Cable
294	1764890	1		Solenoid Boot
295	1773041	1		Main Harness
297	1771865	1	/P	PTO Switch
298	1764899	1		Terminal Boot
300	1766184	2		Switch Cover
301	1772922	1		Grommet
305	1709652	1		Wing Locknut, 1/4-20
306	1765258001	1	S	Battery Clamp
308	1766163	1	S	Hook Bolt
309	1747738	1	/P	J-Clamp
312	1765400	1	/P	Lens
313	1185712	2		Self-Threading Screw
362	1724492	2		Screw, 1/4-20 x 1/2
391	1772387	1		Switch Bracket
397	1772889	1	/P	Lens Retainer
398	1772906	2		Retaining Clip
536	1768969	1	S	Fuse, 20 Amp
538	1764897	2	S	Panel Light Bulb
571	1755738	1	/P	Diode
700	725-1648	2	S	Relay
701	710-1003	2	/P	Screw
702	725-1657A	1	S	Safety switch
703	721-0342	2	S	Relay Gasket (Not Shown)

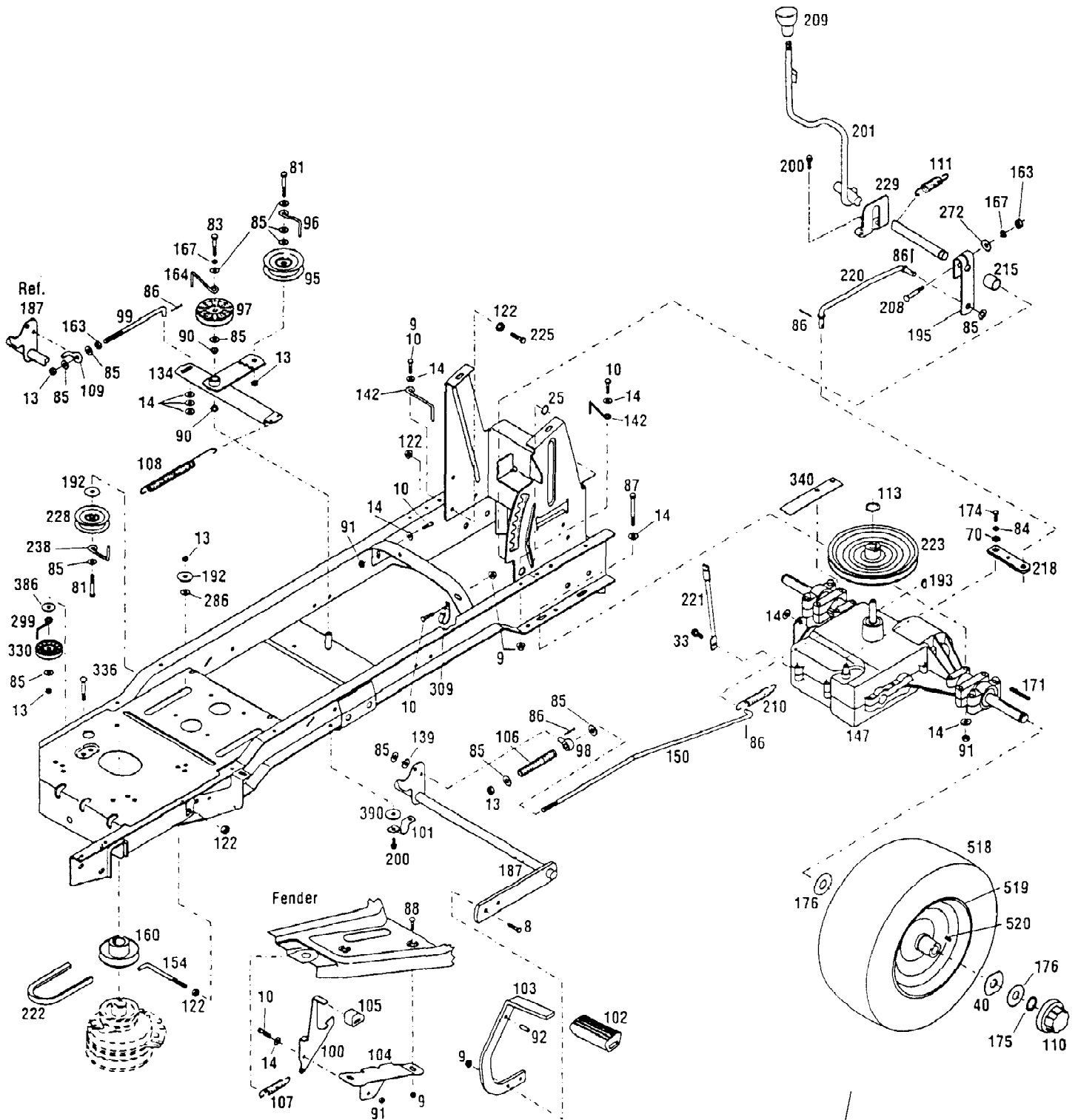


13102 13HP Gear Drive LTX Tractor (S/N 131021300101 - 131021399999) Page 9 of 20
Frame Assembly

Ref #	Part Number	Qty	S/P/F	Description
1	1772924001	1	/P	Frame
2	703-3308	1		Rear Tank Support
3	1772809001	1		Attachment Bracket Assembly
4	1772807001	1		Heat Shield
5	1765431001	2		Fender Support
6	703-3293	1		Console Support
9	1186391	12	S	Flange Nut, 5/16-18
10	1100044	12	S	Hex Head Capscrew, 5/16-18 x 3/4
?11	1185798	4		Hex Head Capscrew, 3/8-16 x 1/2
14	1107382	8	/P	Flat Washer, 5/16
91	1732499	4	/P	Locknut, 5/16-18
236	1186329	4	S	Flange Screw, 5/16-18 x 3/4
309	1747738	1	/P	J-Clamp



Ref #	Part Number	Qty	S/P/F	Description
9	1186391	4	S	Flange Nut, 5/16-18
13	1733398	4	S	Top Locknut, 3/8-16
29	1177567	2	S	E Retaining Ring, 5/8
31	1758231	1	S	Top Locknut, 5/8-11
85	1107383	4	S	Flat Washer, 3/8
163	1186231	2	S	Hex Nut, 3/8-16
197	1773104	2		Warning Decal
219	1752694	1		Trim
231	1111614	2	S	Hex Head Screw, 3/8-16 x 3
232	1773610	1	S	Screw, 10-24 x 5/16
236	1186329	4	S	Flange Screw, 5/16-18 x 3/4
242	1763355	2	S	Flat Washer, 3/8 x 1-1/2
243	1773138	1		Lift Assist Spring
244	1773201	1	/P	Height Indicator
245	1773139	1		Hex Head Screw, 3/8-16 x 5
247	1773206	1		Extension Spring
248	1773183	1		Cable Assembly
250	1772806	2		Lift Clamp
251	1772868	2		Lift Rod
252	1772438	2	/P	Rear Lift Swivel
254	1766080	2		Spacer
255	1772973	1		Extension Spring
257	1772870	1	/P	Rod
259	1772871	1		Pivot Block
260	1772872	1		Spring Anchor
261	1766340	1		Lift Grip
276	1772865	1	/P	Lift Button
277		1		UNKNOWN
321	1772165	1		Dome Cap
527	1772960001	1		Lift Assembly
529	1772961	1		Right Lift Link Assy. (Incl. Ref. 197)
530	1772962	1		Left Lift Link Assy. (Incl. Ref. 197)

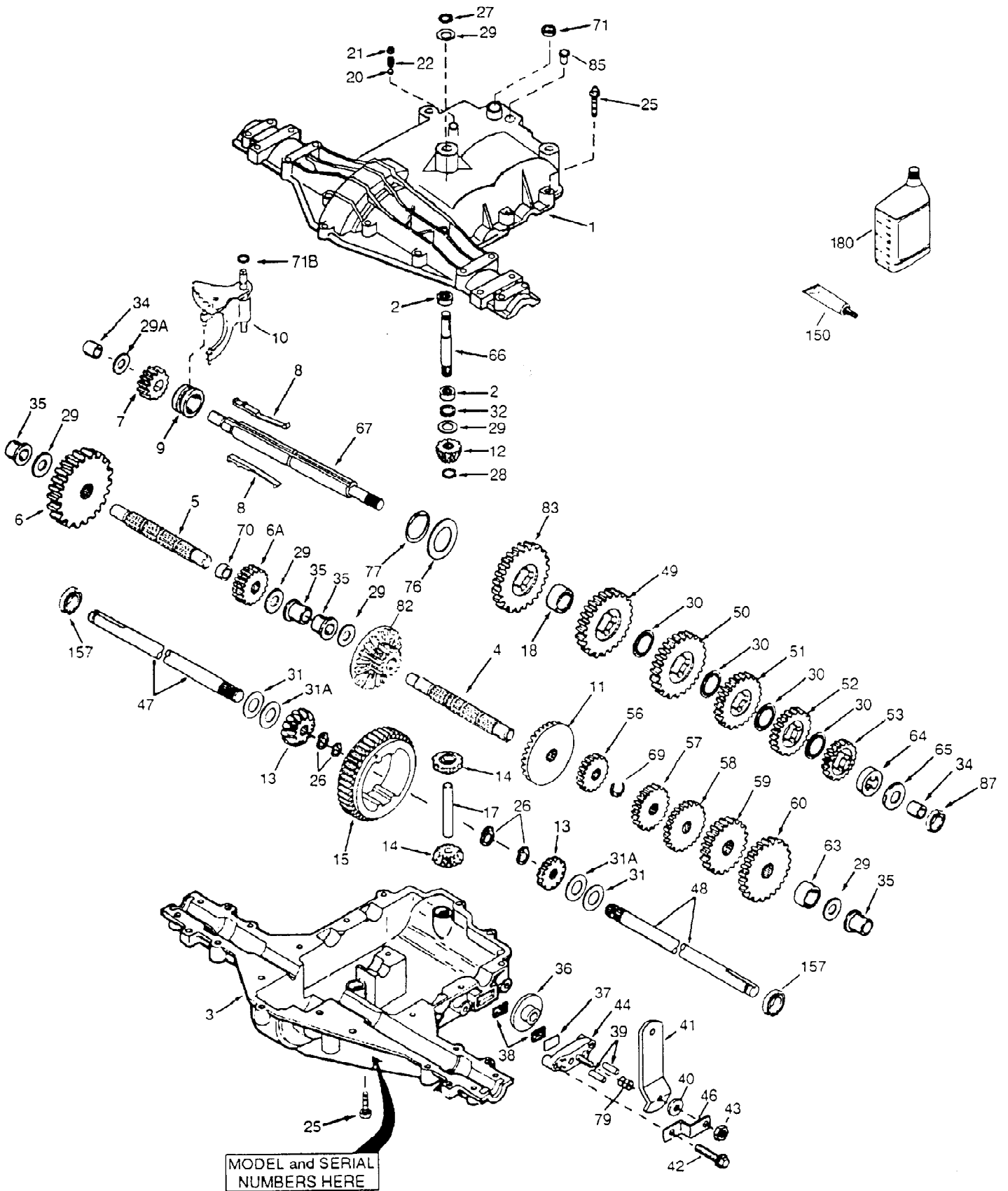


Note: Rim, Tire and Valve Stem
sold separately. See Refs. 518,
519 and 520.

Ref #	Part Number	Qty	S/P/F	Description
8	1100045	2	S	Hex Head Capscrew, 5/16-18 x 1
9	1186391	7	S	Flange Nut, 5/16-18
10	1100044	5	S	Hex Head Capscrew, 5/16-18 x 3/4
13	1733398	5	S	Top Locknut, 3/8-16
14	1107382	16	/P	Flat Washer, 5/16
25	1113527	1	S	Retaining Ring, 3/4
33	1766984	1	/P	Flange Lock screw, 5/16-18 x 3/4
40	1766241	2	/P	Special Washer, 3/4 x 2-1/2
70	1107381	1	S	Flat Washer, 1/4
81	1100048	2	S	Hex Capscrew, 3/8-16 x 2
83	1100086	1	S	Hex Capscrew, 3/8-16 x 1-3/4
84	1100241	1	S	Lock Washer, 1/4 SAE
85	1107383	13	S	Flat Washer, 3/8
86	1100346	5	S	Cotter Pin, 3/32 x 3/4
87	1111609	4	S	Hex Screw, 5/16-18 x 2-3/4
88	1186097	2	S	Carriage Bolt, 5/16-18 x 5/8
90	1715538	2	/P	Nyliner Bushing
91	1732499	6	/P	Locknut, 5/16-18
92	1770205	1		Drive Pin, 5/16 x 1
95	1756151	1	/P	Idler Pulley
96	1760096	1	/P	Belt Guide
97	1760097	1	/P	Idler Pulley
98	1751848	1		Swivel
99	1772460	1		Clutch Rod
100	1771514	1		Brake Lock Latch
101	1765156	2		Clip, 3/4
102	1765167	1		Brake Pedal Pad
103	1772741	1		Brake Pedal
104	1765257	1		Brake Lock Bracket
105	1765297	1		Parking Brake Pedal Pad
106	1765305	1		Compression Spring
107	1985140	1		Extension Spring
108	1765402	1	/P	Extension Spring
109	1765461	1		Pivot Rod
110	1766215	2		Hub Cap
111	1773176	1		Spring
113	1118808	1	/P	Retaining Ring, 5/8
122	1186393	4	/P	Flange Nut, 3/8-16
134	1765064	1	/P	Idler Arm Assembly
139	1890945	2	S	Flat Washer, 3/8
142	1767808	2		Belt Guide
147		1		Transaxle, Peerless MST-205 5-Speed (See "Peerless MST 205 Transaxle Assembly" ill. and parts list); Purchase transaxle parts from your Tecumseh/Peerless dealer. Refer to transaxle for type and code.
150	1767895	1		Brake Rod
154	1766025	1	/P	Clutch Retainer
160	1766200	1	/P	Engine Sheave
163	1186231	2	S	Hex Nut, 3/8-16
164	1767900	1		Belt Guide
167	1100243	2	S	Lock Washer, 3/8
171	1104335	2	S	Square Key, 3/16

13102 13HP Gear Drive LTX Tractor (S/N 131021300101 - 131021399999) Page 14 of 20
Peerless 930 5-Speed Transmission Assembly

Ref #	Part Number	Qty	S/P/F	Description
174	1111683	1	S	Hex Screw, 1/4-28 x 1/2
175	1185388	2	S	Retaining E-Ring, 5/8
176	1747998	8		Flat Washer, 3/4 x 1-7/8
187	1772728	1		Brake Pedal Assembly
192	1891733	2	S	Flat Washer
193	1104436	1	S	Woodruff Key, 3/16 x 3/4
195	1770294	1		Shift Shaft Arm
200	1724491	6	S	Flange Lock screw, 5/16-18 x 3/4
201	1772830	1		Gear Shift Arm
208	1770298	1		Carriage Bolt, 3/8-16 x 2-1/4
209	1766115	1		Knob
210	1767884	1	/P	Extension Spring
215	1766345	1		Spacer
218	1766186	1		Transmission Arm
220	1770602	1		Adjusting Rod
221	1767894	1		Transmission Support
222	1765300	1	/P	V-Belt
223	1770629	1		Transmission Sheave
225	1100047	1	S	Screw, 3/8-16 x 1-1/4
228	1713803	1	S	Idler Pulley
229	1772829	1		Shaft Guide
238	1767892	1		Belt Guide
272	1701055	1	/P	Special Washer, 3/8
286	1768818	1	S	Flat Washer
299	1729780	1	/P	Belt Guide
309	1747738	1	/P	J-Clamp
330	1756164	1		Idler Sheave
336	1186132	1	S	Carriage Bolt, 3/8-16 x 1-3/4
340	1767899	1		Stop
386	1107385	1	S	Flat Washer, 1/2
390	1705108	4	S	Flat Washer, 3/8
518	1772455	2	S	Tire, 20 x 8.00-8
519	1772454	2		Rim
520	1718086	2	S	Valve Stem



NOTE: Purchase transaxle parts from your Tecumseh/Peerless dealer.
Refer to transaxle for type and code.

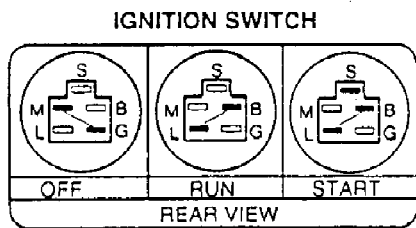
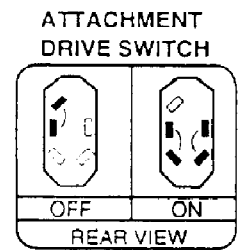
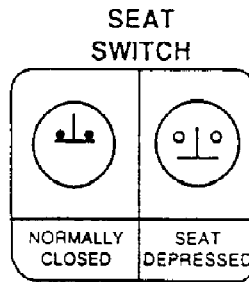
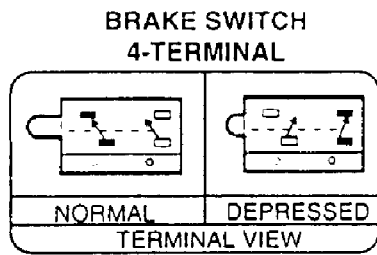
13102 13HP Gear Drive LTX Tractor (S/N 131021300101 - 131021399999) Page 16 of 20
Peerless MST 205 Transaxle Assembly

Ref #	Part Number	Qty	S/P/F	Description
1	772137	1		Transaxle Cover
2	780086A	2	S	Needle Bearing
3	770123	1		Transaxle Case
4	776395	1		Countershaft
5	776397	1		Output Shaft
6	778331	1		Spur Gear (38 teeth)
6A	778332	1		Spur Gear (15 teeth-steel)
7	778330	1		Spur Gear (11 teeth-steel)
8	792136A	2		Shift Key
9	784352	1		Shift Collar
10	784378	1		Shift Rod & Fork
11	778334	1		Bevel Gear (30 teeth)
12	778309	1		Input Bevel Pinion (13 teeth)
13	778221	2		Bevel Gear (16 teeth)
14	778068	2		Bevel Pinion (16 teeth)
15	778312A	1		Ring Gear (43 teeth)
17	786139	1		Drive Pin
18	786102	1		Spacer
20	792077	1		Ball 5/16 diameter
21	792078	1		Set Screw 3/8-16 x 3/8
22	792079	1	S	Spring
25	792073	18		Screw 1/4-20 x 1-1/4
26	792125	4		Retaining Ring (pkg of 2)
27	792035	1	S	Retaining Ring
28	788040	1		Retaining Ring
29	780072	6	S	Washer
29A	780160	1		Washer
30	780108	4	S	Washer
31	780001	2		Washer (.056 wide) (USE AS NEEDED)
31A	780195	2		Flat Washer(.062 wide)
32	788083	1		Oil Seal 5/8
34	780194	2		Bushing
35	780193	4		Flanged Bushing
36	790075	1		Brake Disk
37	790007	1	S	Brake Pad Plate
38	799021	2		Brake Pad (pkg of 2)
39	786026	2	S	Dowel Pin
40	792076A	1		Washer
41	790031	1		Brake Lever
42	792073	2		Screw 1/4-20 x 1-1/4
43	792075	1		Locknut 5/16-24
44	790025	1		Brake Pad Holder
46	786086	1		Brake Lever Bracket
47	774697	1		Axle (11-13/16)
48	774738	1		Axle (16-7/16)
49	778356	1		Spur Gear (29 teeth-steel)
50	778354	1		Spur Gear (23 teeth-steel)
51	778352	1		Spur Gear (19 teeth-steel)
52	778350	1		Spur Gear (16 teeth-steel)
53	778346	1		Spur Gear (15 teeth-steel)
56	778355	1		Spur Gear (11 teeth-steel)
57	778353	1		Spur Gear (17 teeth-steel)
58	778351	1		Spur Gear (21 teeth-steel)

13102 13HP Gear Drive LTX Tractor (S/N 131021300101 - 131021399999) Page 17 of 20
Peerless MST 205 Transaxle Assembly

Ref #	Part Number	Qty	S/P/F	Description
59	778349	1		Spur Gear (24 teeth-steel)
60	778345	1		Spur Gear (25 teeth)
63	786071	1		Countershaft Spacer 1-1/8 x 3/8
64	786072	1		Brake Shaft Spacer 1-3/8 x 3/8
65	780189	1		Washer
66	776394	1		Input Shaft
67	776396	1		Shifter & Brake Shaft
69	792170	1		Retaining Ring
70	786172	1		Spacer
71	788069	1		Square Cut Ring
71B	788092	1		"O" Ring
76	780090	1		Washer
77	788078A	1		Inverted Retaining Ring
79	792144	1		Spring
82	778333	1		Bevel & Spur Gear (30 & 13 teeth)
83	778338	1		Spur Gear (27 teeth)
85	792154	1		Pipe Plug
87	788089	1		Oil Seal 9/16
150	788093	1		Liquid Gasket RTV Silicone
157	788088	2		Oil Seal 3/4
180	730229A	1		Gear Oil 80W90

Ref #	Part Number	Qty	S/P/F	Description
15	1766027	1	/P	Premium Steering Wheel
16	1772929	1		Bearing
17	1765010	1	/P	Steering Shaft
18	1771039	1		Pinion Gear
20	1771320	1	/P	Steering Gear Assembly
22	1766221	1		Steering Wheel Cap
23	1185284	1	S	Roll Pin, 1/4 x 2
24	1185348	1	S	Drive Pin, 1/4 x 1-1/4
28	1705092	1	S	Special Washer, 5/8 x 1
29	1177567	1	S	Retaining Ring, 5/8
30	1768796	2	S	Locking Jam Nut, 1/2-20
31	1758231	1	S	Top Locknut, 5/8-11
32	1767953	1		Hex Head Screw, 5/8-11 x 2 3/4
33	1766984	4	/P	Flange Lock Screw, 5/16-18 x 3/4
34	1765315	1		Drag Link
35	1186247	1	S	Hex Jam Nut, 1/4-20
36	1716180	1		Ball Joint
37	1765169001	1		Front Axle
40	1766241	2	/P	Special Washer, 3/4 x 2-1/2
41	1185830	4	S	Special Washer, 3/4 x 1-3/8
42	1768883001	1	/P	Tie Rod
55	1894062	2	/P	Shoulder Bolt, 3/8-24
56	1186389	2	/P	Flange Nut, 1/4-20
65	1186309	2	/P	Flange Screw 1/4-20 x 5/8
71	1110150	2	S	Self-Locking Nut, 3/8-24
110	1766215	2		Hub Cap
175	1185388	2	S	Retaining Ring
366	1100266	1	S	Flat Washer, 5/8
387	1731504	1	S	Grease Fitting, 90°.
501	1765263001	1		Left Spindle Assembly
503	1764140	4	/P	Axle Bushing
504	1701447	4	/P	Special Washer, 3/4
505	1185689	2		Retaining Ring, External
508	1765004001	1		Right Spindle Assembly
509	1762254	2	S	Tire, 15 x 6.00, 6 RS
510	1767276	2	/P	Rim Assembly
511	1718086	2	S	Valve Stem
512	1185616	4	S	Wheel Bearing
532	1185976	4	S	Grease Fitting



ITEM CODE	
1	Magneto
2	Alternator
5	Attachment Clutch
6	Diode Assembly
8	Seat Plug with Switch
10	Connector
11	Battery
12	Fuse
13	Start Solenoid
14	Seat Switch
15	Brake Switch
17	Key Switch
19	Attachment Switch
20	Attachment Light
21	Start Light
30	Accessory Plug

WIRE COLOR CODE	
BK	Black
BL	Blue
P	Purple
R	Red
Y	Yellow
R/W	Red/White
R/B	Red/Black
R/Y	Red/Yellow
Y/R	Yellow/Red
Y/B	Yellow/Black

