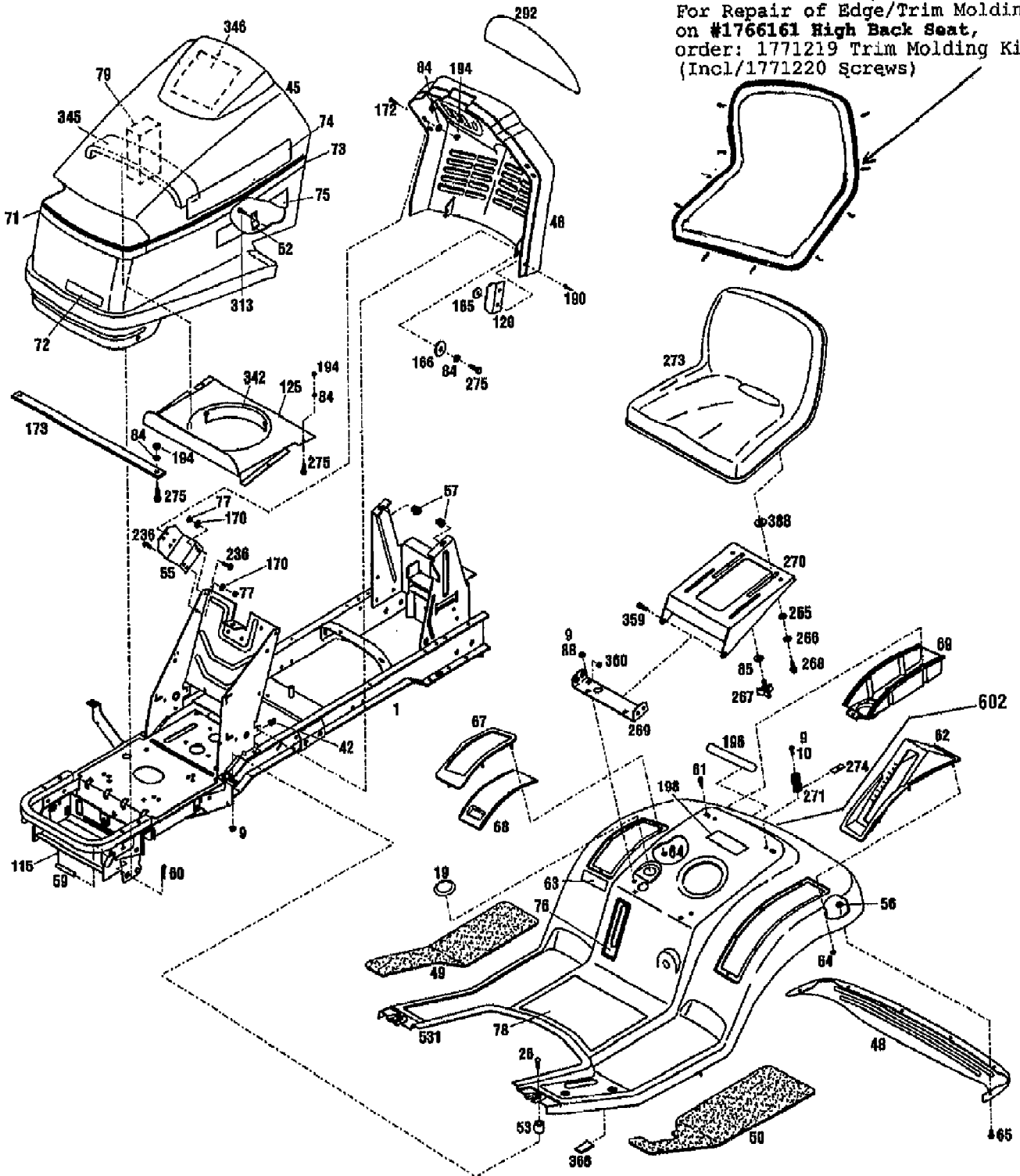


13099 16HP HYDROSTATIC LTX TRACTOR (S/N 130990100101)
BODYWORK & TRIM ASSEMBLY

BODY & TRIM ASSEMBLY

Models: 13097, 13099
For Repair of Edge/Trim Molding
on #1766161 High Back Seat,
order: 1771219 Trim Molding Kit
(Incl/1771220 Screws)



13099 16HP HYDROSTATIC LTX TRACTOR (S/N 130990100101)
BODYWORK & TRIM ASSEMBLY

Page 2 of 23

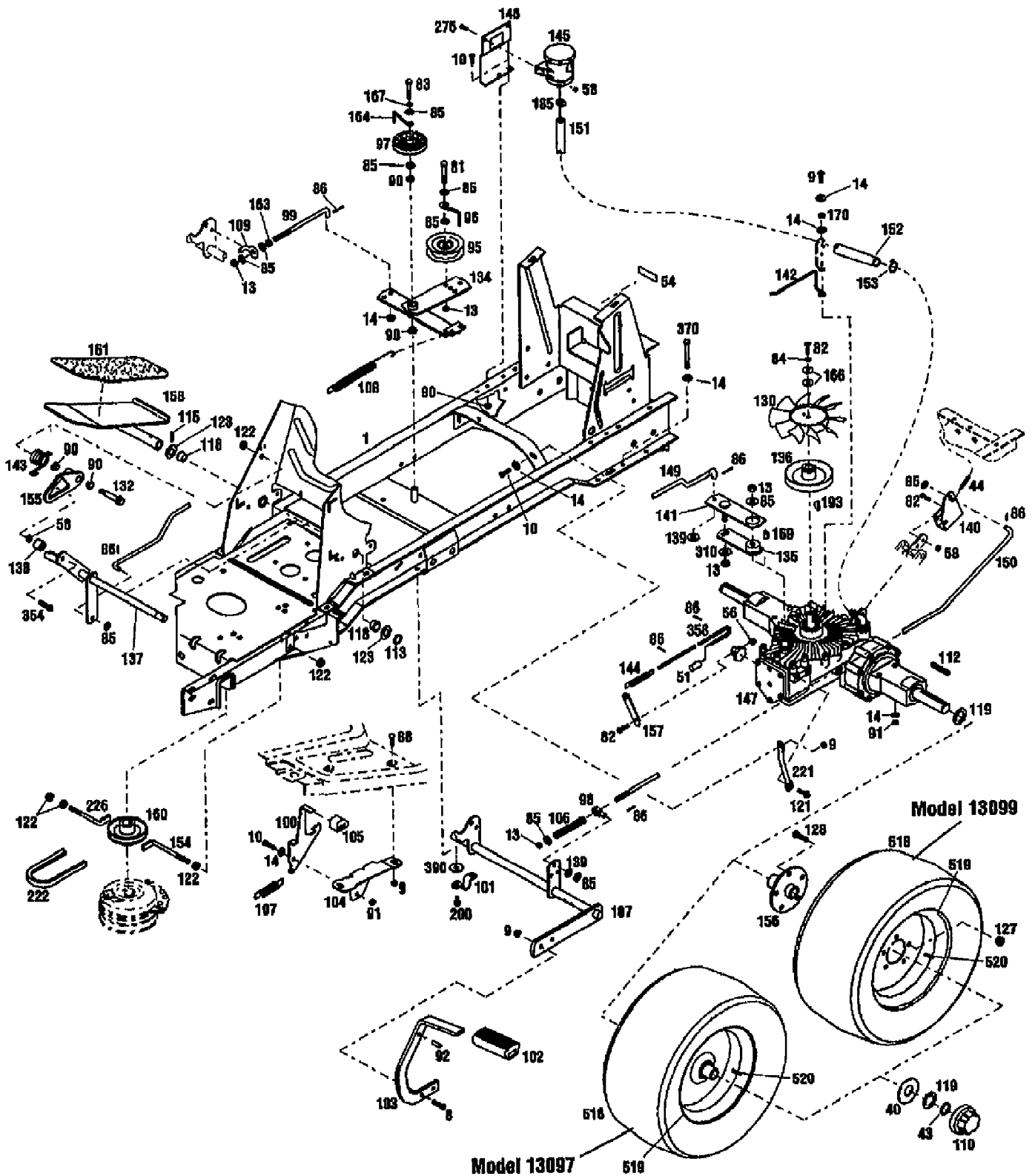
Ref #	Part Number	Qty	S/P/F	Description
1	1771825001	0	S	ASSM-FRAME LTX {13096/097}
1	1771828001	0		ASSM-FRAME {13099}
9	1186391	0	S	NUT-HFLK 5/16-18 ZP
10	1100044	0	S	SCR-HHC 5/16-18X.75 GR 5 ZP
19	1768787	0		PLUG 2.50
26	1186100	0	/P	SCR-CARR 5/16-18X1.0 G2 ZP
42	1185893	0	/P	NUT-SPEED
45	1765382	0		HOOD-TRACTOR
46	1765376	0		CONSOLE
48	1765331010	0		TRIM-FENDER REAR
49	1765370	0		PAD-FOOT RH
50	1765371	0	S	PAD-FOOT LH
52	1765384	0		LATCH
53	1730681	0	/P	SPACER-TUBULAR
55	1768775001	0		BRKT-MOUNTING
56	1186389	0	/P	NUT-HF/LK 1/4-20 ZP
57	1761680	0	S	NUT-SELF RETAIN 5/16-18
59	1765497	0		PIN-PIVOT HOOD
60	1723478	0	/P	PIN-HITCH .125X2.56 ZP
61	1186330	0	S	SCR-LOCK
62	1766139	0	S	COVER-LIFT HANDLE {13096/097}
63	1901900	0	/P	DECAL-AMERICAN LEGEND-LRG
64	1750532	0	S	NUT-SELF THREADING
65	1186309	0	/P	SCR-HH 1/4-20X.625
67	1765493	0		TOP-STORAGE COVER
68	1765492	0		COVER-CONTAINER
69	1765494	0		CONTAINER-STORAGE
71	1766383	0		DECAL-STRIPE HOOD FRONT
72	1759101	0		DECAL-LOGO
73	1766382	0		DECAL-STRIPE SIDE
74	1767886	0	/P	DECAL-LOGO TROY-BILT
75	1772260	0		DECAL-HYDRO
76	1766140	0		DECAL-FUEL LEVEL
77	1186230	0	S	NUT-HEX 5/16-18 ZP
78	1772487	0		DECAL-TUNNEL {13096}
78	1766142	0		DECAL-OPER INST {13097}
78	1772966	0		DECAL-TUNNEL {13099}
79	1768829	0		BLOCK-SEALING {13099}
84	1100241	0	S	WASHER-LK .25 ZP
85	1107383	0	S	WASHER-FLAT 3/8 SAE
88	1186097	0	S	SCR-CARR 5/16-18X.62 G2 ZP
115	1120210	0		PIN-ROLL .188X1.0
120	1768828001	0		BRKT-HOOD ALIGN
125	1767873001	0		SHIELD-HEAT UPPER {13099}
165	1736359	0	/P	WASHER-.88X.2X.059
166	1720883	0	/P	WASHER-FLAT 1.25X.28X.062 ZP
170	1100242	0	S	WASHER-LK .312 ZP
172	1816081	0		SCR
173	1770317001	0		STRAP-HOOD
190	1739918	0		RIVET-POP
194	1186229	0	S	NUT-HEX 1/4-20 ZP
196	1759102	0		DECAL-LOGO FENDER
198	1767876	0		DECAL-FUEL

13099 16HP HYDROSTATIC LTX TRACTOR (S/N 130990100101)
BODYWORK & TRIM ASSEMBLY

Page 3 of 23

Ref #	Part Number	Qty	S/P/F	Description
236	1186329	0	S	SCR-HFLK 5/16-18X.75 ZP
265	1705793	0		WASHER-1.06X.51X.09 NYLON
266	1706782	0	/P	WASHER-BOW .74X.52X.01
267	1734269	0		KNOB
268	1754125	0	/P	SCR-SHLDR 3/8-16X.25 G5ZP
269	1766075001	0		BRKT-SUPPORT SEAT
270	1766074001	0	/P	SUPPORT-SEAT
271	1766077	0	/P	SPRING-COMPRESSION
273	1772784	0		KIT-SEAT (TRACTOR) {13096}
273	1772785	0		KIT-SEAT (TRACTOR) {13097/099}
274	1766347	0	/P	BRKT-SPRING HOLD DOWN
275	1111599	0	S	SCR-HH 1/4-20X.625 G5 ZP
292	1772258	0		LENS-WARNING LIGHTS {13096/097}
292	1764887	0		LENS-INSTRMTS WARN LIGHTS {13099}
313	1185712	0		SCR
342	1767897	0		GASKET-HEAT SHIELD {13099}
345	1767898	0		STRIP-SEALING {13099}
346	1765397	0		DECAL-SERVICE
359	1100913	0	S	SCR-HH 3/8-16X.88 G5 ZP
360	1110108	0	S	NUT-H/LK 3/8-16
368	1767995	0		PAD
388	1893445	0	S	WASHER-FLAT
531	1773202010	0		FENDER-REAR
?600	1735222	0	/P/F	PAINT-BLACK SPRAY
?601	1900706	0	S/F	PAINT-RED SPRAYCAN POWDER
602	1772262	0		DECAL-LTX 13.5 RED {13096}
602	1772263	0		DECAL-LTX 15.5 RED {13097}
602	1772264	0		DECAL-LTX 16 RED {13099}

13099 16HP HYDROSTATIC LTX TRACTOR (S/N 130990100101)
DRIVE & HYDRO ASSEMBLY



13099 16HP HYDROSTATIC LTX TRACTOR (S/N 130990100101)
DRIVE & HYDRO ASSEMBLY

Page 5 of 23

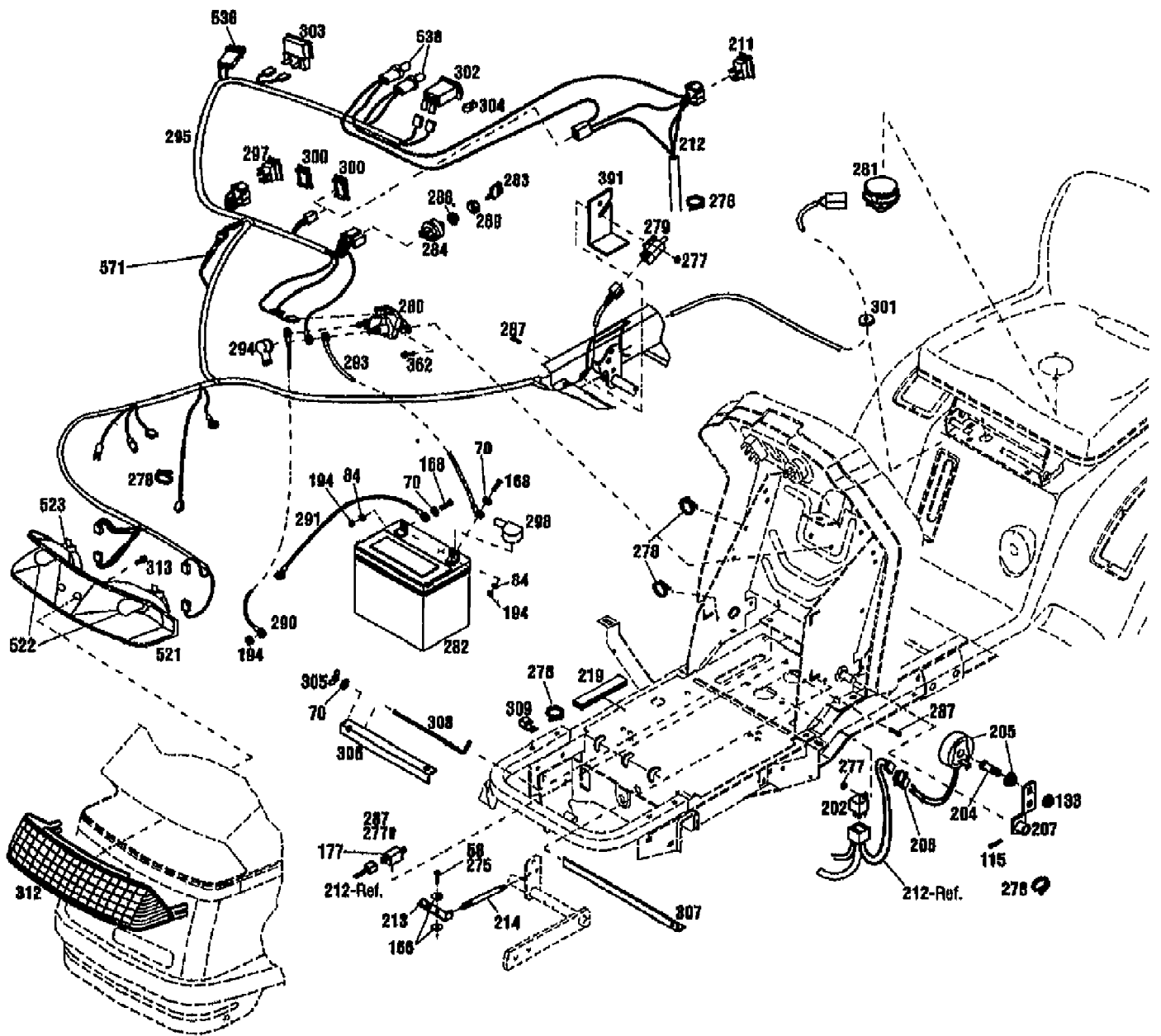
Ref #	Part Number	Qty	S/P/F	Description
1	1771825001	0	S	ASSM-FRAME LTX {13097}
1	1771828001	0		ASSM-FRAME {13099}
8	1100045	0	S	SCR-HH 5/16-18X1.0 G5 ZP
9	1186391	0	S	NUT-HFLK 5/16-18 ZP
10	1100044	0	S	SCR-HHC 5/16-18X.75 GR 5 ZP
13	1733398	0	S	NUT-LOCK 3/8-16
14	1107382	0	/P	WASHER-FLAT 5/16 SAE
40	1766241	0	/P	WASHER-SPEC .75X2.50
43	1185689	0		RING-HEAVY EXT HD 1.0 ID
44	1765307	0		SPRING-EXTENSION
51	1767984	0		GRIP-HANDLE
54	1767967	0		DECAL-TRANS RELEASE
56	1186389	0	/P	NUT-HF/LK 1/4-20 ZP
58	1734398	0	S	NUT-HT LK 1/4-20
81	1100048	0	S	SCR-HH 3/8-16X2.0 G5 ZP
82	1100069	0	S	SCR-HH 1/4-20X1.0
83	1100086	0	S	SCR-HH 3/8-16X1.75 G5 ZP
84	1100241	0	S	WASHER-LK .25 ZP
85	1107383	0	S	WASHER-FLAT 3/8 SAE
86	1100346	0	S	PIN-COTTER .09X.75 ZP
88	1186097	0	S	SCR-CARR 5/16-18X.62 G2 ZP
90	1715538	0	/P	BUSHING-.5X.5 NYLON FLNG
91	1732499	0	/P	NUT-TOP/LK 5/16-18 ZP
92	1770205	0		PIN-DRIVE .312X.75
95	1756151	0	/P	IDLER
96	1760096	0	/P	GUIDE-BELT
97	1760097	0	/P	PULLEY-IDLER
98	1751848	0		SWIVEL
99	1772460	0		ROD-CLUTCH
100	1771514	0		LATCH-BRAKE LOCK
101	1765156	0		CLIP-CLAMP .75 ID
102	1765167	0		PAD-FOOT PEDAL
103	1765252	0		PEDAL-BRAKE
104	1765257	0		BRKT-BRAKE LOCK
105	1765297	0		PAD-BRAKE
106	1765305	0		SPRING-COMPRESSION
107	1985140	0		SPRING-EXTENSION
108	1765402	0	/P	SPRING-EXTENSION
109	1765461	0		ROD-PIVOT
110	1766215	0		CAP-HUB
112	1104338	0	S	KEY-.25 SQ X 2.0
113	1118808	0	/P	RING-RETAIN .625 ID
115	1120210	0		PIN-ROLL .188X1.0
118	1185802	0		BEARING-FLANGE
119	1185816	0	/P	WASHER-SPEC
121	1186327	0	/P	SCR-HFLK 5/16-18X.50 ZP
122	1186393	0	/P	NUT-HFLK 3/8-16 ZP
123	1715301	0	/P	WASHER-1.115X.637X.06
127	1753025	0	/P	NUT-LUG 7/16-20 {13099}
128	1753026	0	S	BOLT-WHEEL {13099}
130	1760370	0	/P	FAN-HYDRO TRANSMISSION
132	1763219	0	/P	SCR-SHLDR 3/8-16
134	1765064	0	/P	ARM-IDLER

13099 16HP HYDROSTATIC LTX TRACTOR (S/N 130990100101)
DRIVE & HYDRO ASSEMBLY

Page 6 of 23

Ref #	Part Number	Qty	S/P/F	Description
135	1765067	0		ARM-HYDRO
136	1765072	0		PULLEY-HYDRO
137	1765079	0		SHAFT-HYDRO PIVOT
138	1767807	0	/P	BEARING-BALL
139	1890945	0	S	WASHER-FLAT .375DIA
140	1765253	0		BRKT-BRAKE HYDRO
141	1765289	0		ARM-CONTROL HYDRO
142	1768836	0		GUIDE-BELT
143	1765306	0		SPRING-TORSION
144	1720928	0		SPRING
145	1772331	0		TANK-EXPANSION
147	1772032	0		TRANSMISSION
148	1772378001	0		SUPT-EXPANSION TANK
149	1765353	0		ROD-CONTROL HYDRO
150	1772921	0		ROD-BRAKE
151	1772386	0		HOSE-5/8
152	1772375	0		SUPPORT-HOSE
153	1765478	0		CLAMP-HOSE 5/8
154	1766025	0	/P	RETAINER-CLUTCH
155	1766015	0		ARM-RETURN NEUTRAL HYDRO
156	1766019	0		HUB-WHEEL {13099}
157	1767909	0		VALVE-DUMP
158	1766085001	0		ASSM-PEDAL HYDRO
160	1766201	0		PULLEY-ENGINE
161	1766202	0	/P	PAD-FOOT PEDAL
163	1186231	0	S	NUT-HEX 3/8-16 ZP
164	1767900	0		GUIDE-BELT
166	1720883	0	/P	WASHER-FLAT 1.25X.28X.062 ZP
167	1100243	0	S	WASHER-LK .375 @ DEPL
169	1100905	0		KEY-WOODRUFF .125X.5
170	1100242	0	S	WASHER-LK .312 ZP
185	1984024	0		CLAMP-HOSE
187	1770312	0		ASSM-PEDAL
193	1185885	0	/P	KEY-WOODRUFF
200	1724491	0	S	SCR-HFLK 5/16-18X.75
221	1765165	0		SUPPORT-TRANSMISSION
222	1765349	0		BELT-V
226	1766153	0		GUIDE-BELT
275	1111599	0	S	SCR-HH 1/4-20X.625 G5 ZP
310	1185715	0	/P	WASHER-LK .375 PYRAMIDAL
354	1186313	0		SCR-HFLK 1/4-20X1.25 G5ZP
358	1767907	0	/P	ROD-DUMP VALVE
370	1111610	0	S	SCR-HH 5/16-18X3.0
390	1705108	0	S	WASHER-.632X.39X.0329
518	1766275	0		TIRE-20X8.00-10 {13097}
518	1768795	0		TIRE {13099}
519	1772256	0		RIM {13097}
519	1766131	0	/P	RIM-WHEEL REAR {13099}
520	1718086	0	S	STEM-VALVE

13099 16HP HYDROSTATIC LTX TRACTOR (S/N 130990100101)
ELECTRICAL ASSEMBLY



13099 16HP HYDROSTATIC LTX TRACTOR (S/N 130990100101)
ELECTRICAL ASSEMBLY

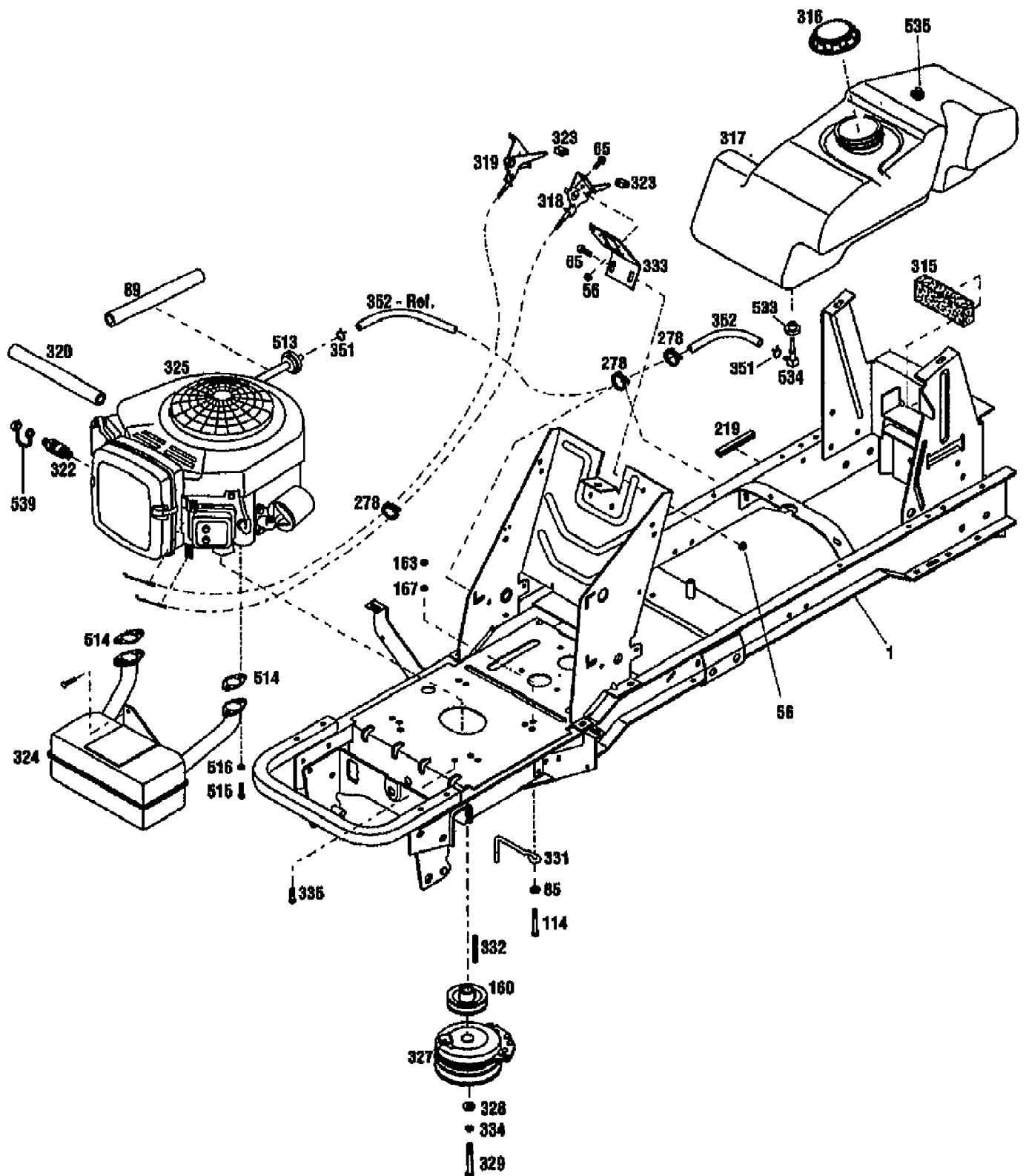
Page 8 of 23

Ref #	Part Number	Qty	S/P/F	Description
58	1734398	0	S	NUT-HT LK 1/4-20 {13099}
70	1107381	0	S	WASHER-FLAT 1/4 SAE
84	1100241	0	S	WASHER-LK .25 ZP
115	1120210	0		PIN-ROLL .188X1.0 {13099}
133	1186396	0		NUT-WHIZ LOCK {13099}
166	1720883	0	/P	WASHER-FLAT 1.25X.28X.062 ZP {13099}
168	1100805	0	S	SCR-HH 1/4-20X.75 G5 ZP
177	1748723	0	/P	SWITCH {13099}
194	1186229	0	S	NUT-HEX 1/4-20 ZP
202	1749907	0	/P	RELAY-SPEED CONTROL {13099}
204	1750736	0	/P	SCR-SPECIAL {13099}
205	1768971	0	/P	ASSM-MAGNET {13099}
206	1767852	0		PIN-TERM HOUSING {13099}
207	1766290	0		ARM-CRUISE {13099}
211	1766350	0	/P	SWITCH-CRUISE {13099}
212	1766351	0		HARNESS-CRUISE {13099}
213	1767803	0		ARM-CRUISE {13099}
214	1767822	0		SPRING {13099}
219	1752694	0		TRIM
275	1111599	0	S	SCR-HH 1/4-20X.625 G5 ZP
277	1185985	0	S	NUT W/LKWASHER 10-24 ZP
278	1735531	0	S	TIE-CABLE NYLON BLACK
279	1751328	0	S	SWITCH
280	1752137	0	S	SOLENOID
281	1768882	0	/P	SWITCH-SEAT
282	1772127	0		BATTERY {13096/097}
282	1772131	0		BATTERY {13099}
283	1753986	0	/P	KEY-IGNITION
284	1754250	0	S	SWITCH-IGNITION
287	1758070	0	S	SCR-HHS 10-24X.625 ZP
288	1758146	0	S	NUT-SWITCH
289	1758147	0	S	CAP-SWITCH
290	1764898	0	S	CABLE-STARTER
291	1764886	0		CABLE-BATTERY (-)
293	1764888	0		CABLE-BATTERY
294	1764890	0		BOOT-SOLENOID
295	1771660	0		HARNESS-WIRING {13096/097}
295	1771661	0		HARNESS-WIRING {13099}
297	1771865	0	/P	SWITCH-PTO
298	1764899	0		BOOT-TERMINAL
300	1766184	0		COVER-SWITCH {13096/097}
301	1766264	0		GROMMET
302	1771652	0		METER-HOUR
303	1764884	0		AMMETER {13099}
304	1766185	0		CLIP-TINNERMAN {13099}
305	1709652	0		NUT-WING
306	1765258001	0	S	CLAMP-BATTERY
307	1765444001	0		BRKT-BATTERY LOWER
308	1766163	0	S	SCR-HOOK
309	1747738	0	/P	CLIP-J
312	1765400	0	/P	LENSE-HEADLIGHT
313	1185712	0		SCR
362	1724492	0		SCR 1/4-20X.5 FL SELF TAP

13099 16HP HYDROSTATIC LTX TRACTOR (S/N 130990100101)
ELECTRICAL ASSEMBLY

Page 9 of 23

Ref #	Part Number	Qty	S/P/F	Description
391	1771758	0		BRACKET-SWITCH
521	1768803	0	S	HEADLGT-REFL (PART OF 1772002)
522	1772001	0	S	LIGHTBULB
523	1752875	0		SOCKET
536	1768969	0	S	FUSE
538	1764897	0	S	LIGHTBULB
571	1755616	0		ASSM-DIODE

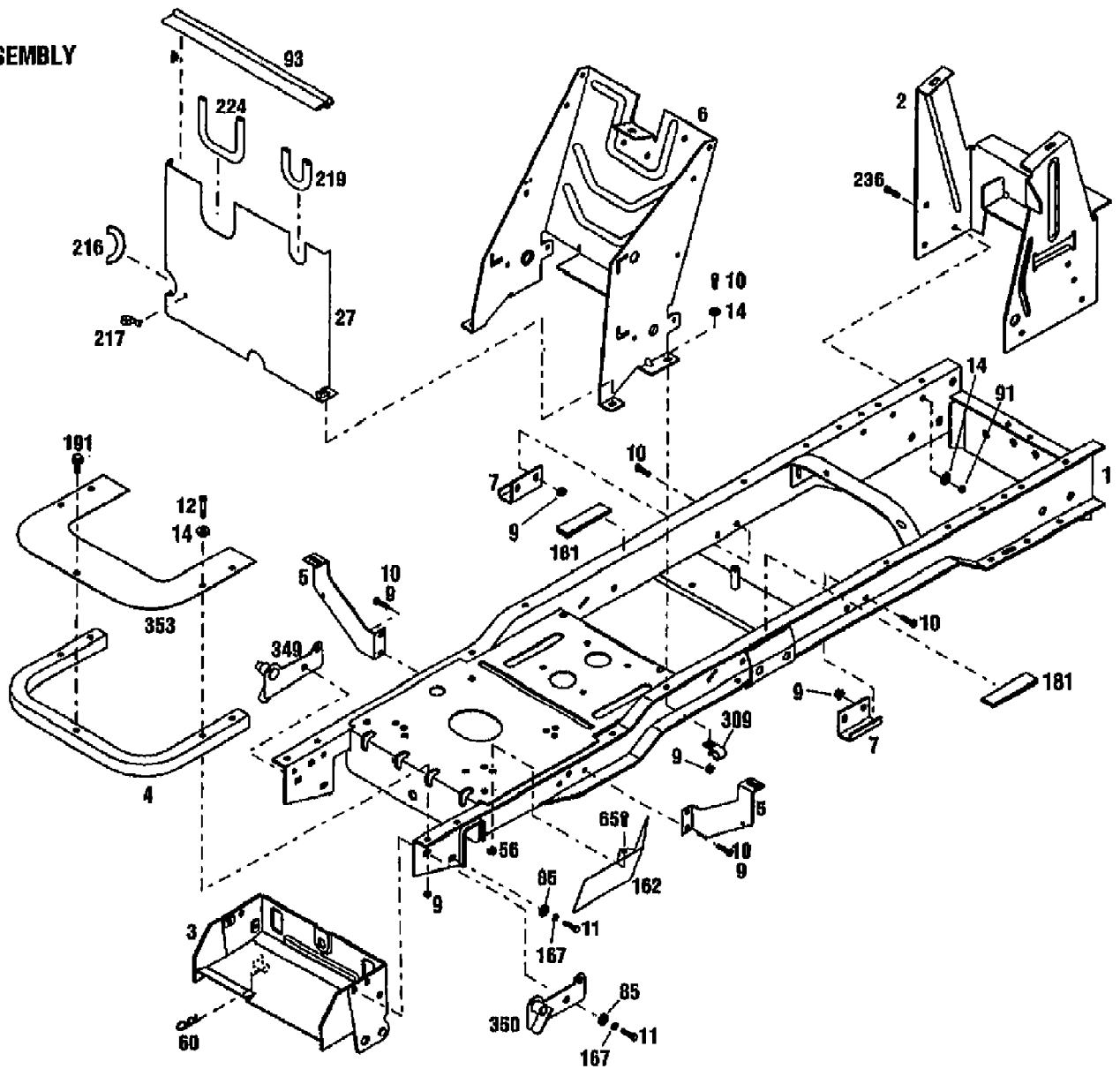


13099 16HP HYDROSTATIC LTX TRACTOR (S/N 130990100101)
ENGINE ASSEMBLY

Page 11 of 23

Ref #	Part Number	Qty	S/P/F	Description
1	1771828001	0		ASSM-FRAME
56	1186389	0	/P	NUT-HF/LK 1/4-20 ZP
65	1186309	0	/P	SCR-HH 1/4-20X.625
?84	1100241	0	S	WASHER-LK .25 ZP
85	1107383	0	S	WASHER-FLAT 3/8 SAE
89	1768830	0		INSULATION-FUEL LINE
114	1768194	0	S	SCR-THRD FRM 3/8-16X1.50
160	1766201	0		PULLEY-ENGINE
163	1186231	0	S	NUT-HEX 3/8-16 ZP
167	1100243	0	S	WASHER-LK .375 @ DEPL
219	1752694	0		TRIM
?275	1111599	0	S	SCR-HH 1/4-20X.625 G5 ZP
278	1735531	0	S	TIE-CABLE NYLON BLACK
315	1766341	0		PAD-FUEL TANK
316	1766188	0	/P	CAP-FUEL
317	1765404	0		TANK-FUEL
318	1758800	0	S	CONTROL-CHOKE
319	1755926	0	S	THROTTLE-CONTROL
320	1769006	0	S	HOSE-OIL DRAIN
322	1768865	0	S	ASSM-OIL VALVE
323	1766121	0	/P	KNOB
324	1770600	0		MUFFLER
325	0	0	F	ENGINE, 16HP BRIGGS & STRATTON MODEL 303777
327	1755341	0	S	CLUTCH-ELECTRIC
328	1744455	0	/P	WASHER-SPEC 1.42X.468X.25 ZP
329	1767165	0	S	SCR-HH 7/16-20X3.00
331	1754787	0	/P	CLUTCH-RETAINER
332	1748146	0		KEY-.25 SQ X 2.5
333	1766119001	0		BRKT-MOUNTING CONTROL
334	1100244	0	S	WASHER-LK .438 ZP
335	1762042	0		SCR-HH 3/8-16X1.0 THDFM
351	1750687	0	S	CLAMP-HOSE
352	1767879	0		LINE-FUEL
513	1727491	0	S	FILTER-FUEL
514	0	0	F	MUFFLER GASKET
515	1100069	0	S	SCR-HH 1/4-20X1.0
516	1100241	0	S	WASHER-LK .25 ZP
533	1738433	0	S	BUSHING-RUBBER
534	1751477	0	S	ELBOW-90 DEG (FUEL LINE)
535	1768804	0	S	VENT-FUEL TANK
539	1766326	0		CAP-OIL DRAIN

FRAME ASSEMBLY

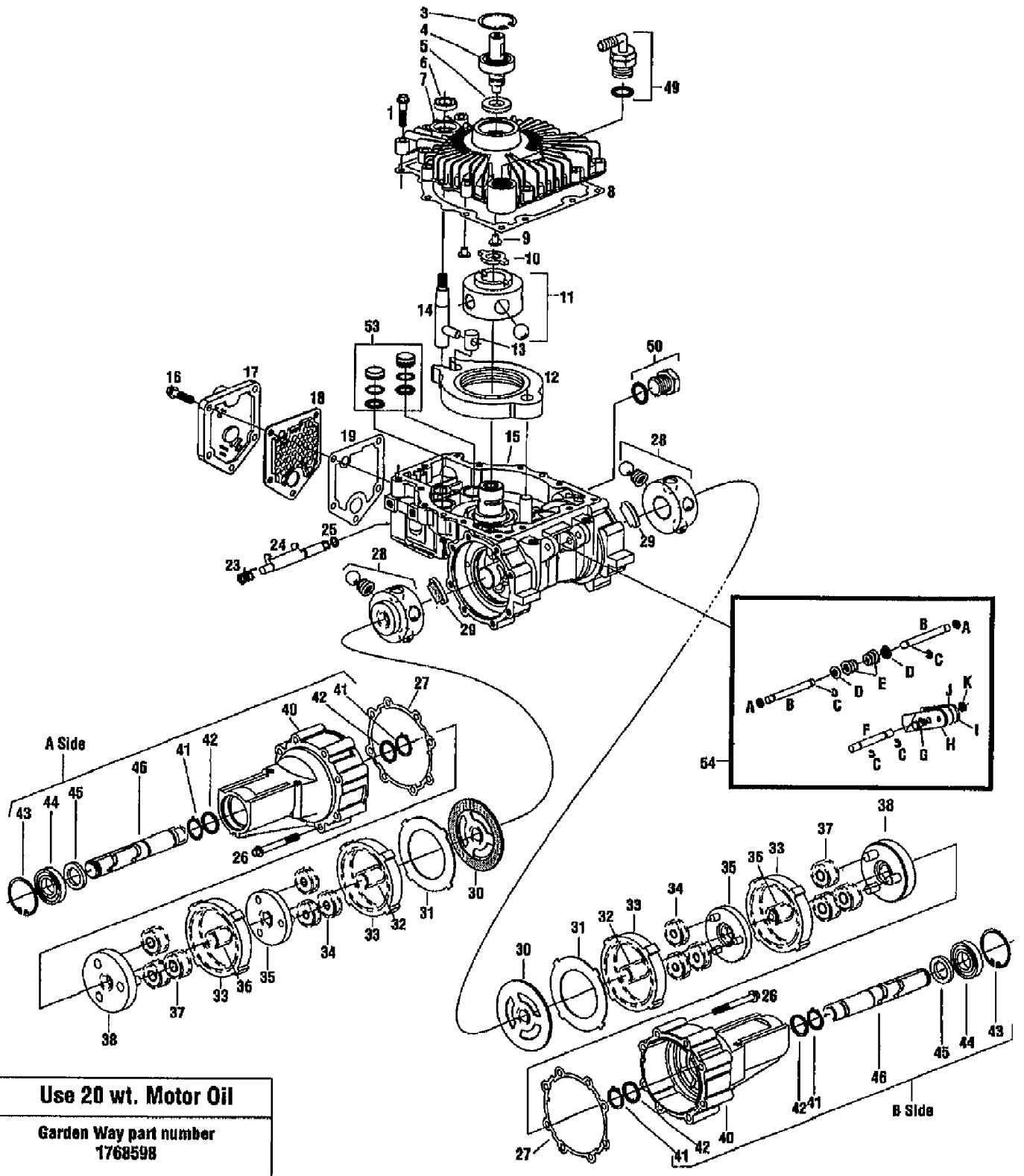


13099 16HP HYDROSTATIC LTX TRACTOR (S/N 130990100101)
FRAME ASSEMBLY

Page 13 of 23

Ref #	Part Number	Qty	S/P/F	Description
1	1771825001	0	S	ASSM-FRAME LTX {13096/097}
1	1771828001	0		ASSM-FRAME {13099}
2	1766050001	0		SUPPORT-REAR TANK
3	1772250001	0		ASSM-BRKT ATTACHMENT
4	1772390001	0		BUMPER-FRONT
5	1765431001	0		SUPPORT-FENDER
6	1772013001	0		SUPPORT-CONSOLE
7	1766086001	0		STOP-MOWER DECK
9	1186391	0	S	NUT-HFLK 5/16-18 ZP
10	1100044	0	S	SCR-HHC 5/16-18X.75 GR 5 ZP
11	1100046	0	S	SCR-HH 3/8-16X1.0 G5 ZP
12	1100779	0	S	SCR-HH 5/16-18X1.75
14	1107382	0	/P	WASHER-FLAT 5/16 SAE
27	1768826001	0		SHIELD-HEAT {13099}
56	1186389	0	/P	NUT-HF/LK 1/4-20 ZP
60	1723478	0	/P	PIN-HITCH .125X2.56 ZP
65	1186309	0	/P	SCR-HH 1/4-20X.625
85	1107383	0	S	WASHER-FLAT 3/8 SAE
91	1732499	0	/P	NUT-TOP/LK 5/16-18 ZP
93	1768834	0		GASKET-HEAT SHIELD {13099}
162	1767874001	0		SHIELD-HEAT UPPER {13099}
167	1100243	0	S	WASHER-LK .375 @ DEPL
181	1767883	0		PAD
191	1754128	0	/P	SCR-FLANGE 1/4-20X3/4 GR5
216	1768835	0		TRIM {13099}
217	1745366	0		HANGER-CABLE {13099}
219	1752694	0		TRIM {13099}
224	1768840	0		TRIM-HEAT SHIELD {13099}
236	1186329	0	S	SCR-HFLK 5/16-18X.75 ZP
309	1747738	0	/P	CLIP-J
349	1767867001	0		PLATE-PIVOT RH
350	1767868001	0		PLATE-PIVOT LH
353	1767963	0		SHIELD-HEAT {13099}

EATON 751 HYDRO TRANSMISSION ASSEMBLY



13099 16HP HYDROSTATIC LTX TRACTOR (S/N 130990100101)
HYDRO (EATON 751) BREAKDOWN

Page 15 of 23

Ref #	Part Number	Qty	S/P/F	Description
	1768598	0		OIL-SAE 20 HYDROSTATIC
1	1769200	0		SCR
3	1769201	0		RING-RETAINING
4	1760892	0		SHAFT-INPUT
5	1760893	0	S	SEAL-OIL
6	1757374	0		SEAL-CONTROL SHAFT
7	1769202	0		COVER
8	1769203	0	/P	COVER-GASKET
9	1769204	0		BUTTON
10	1769205	0		DRIVE
11	0	0		PUMP ROTOR/BALL/PIN
12	0	0		CAM RING
13	1769208	0		INSERT
14	1769209	0		SHAFT-CONTROL EXT THREAD
15	1769211	0		HOUSING
16	1769212	0	F	SCR
17	0	0		FILTER BASE "L"
18	0	0		FILTER
19	0	0		GASKET
23	1769217	0		VALVE-SPRING DUMP
24	1757376	0	/P	BRACKET
25	1757377	0		RING-O
26	1769218	0		SCR
27	1769219	0		GASKET-AXLE HSG
28	1769220	0		15T MOTOR ROTOR/BALL
29	1769221	0		PAD-FRICTION
30	1769222	0	/P	PLATE-REACTION
31	1769223	0		PLATE-BACKUP
32	1769224	0		15T SUN GEAR, FIRST
33	1769225	0		GEAR-RING 57T
34	1769226	0		GEAR-PLANET
35	1769227	0		PRIMARY CARRIER
36	0	0		15T, SUN GEAR
37	0	0		21T, PINT GEAR
38	1769230	0		SECOND CARRIER
40	1769231	0		AXLE-HOUSING
41	1769232	0		RING-RETAIN EXT
42	1769233	0		WASHER-THRUST
43	1769234	0		RING-RETAIN INT
44	1757700	0		BEARING
45	1769235	0	/P	SEAL-RADIAL LIP
46	1769236	0		AXLE-SHAFT
49	0	0		90 DEGREE FITTING/O-RING
50	0	0		PLUG/O-RING
53	1769242	0		PISTON
54	0	0		BRAKE LEVER PARTS
?54A	1769243	0		SEAL-QUAD
?54B	1769244	0		ROD-PUSH
?54C	1769245	0	S	RING-RETAIN "E"
?54D	1769246	0		BASE-SPRING
?54E	1769247	0		SPRING-CONICAL
?54F	1769248	0		BRAKE-SHAFT
?54G	1769249	0		SCR-HH

13099 16HP HYDROSTATIC LTX TRACTOR (S/N 130990100101)
HYDRO (EATON 751) BREAKDOWN

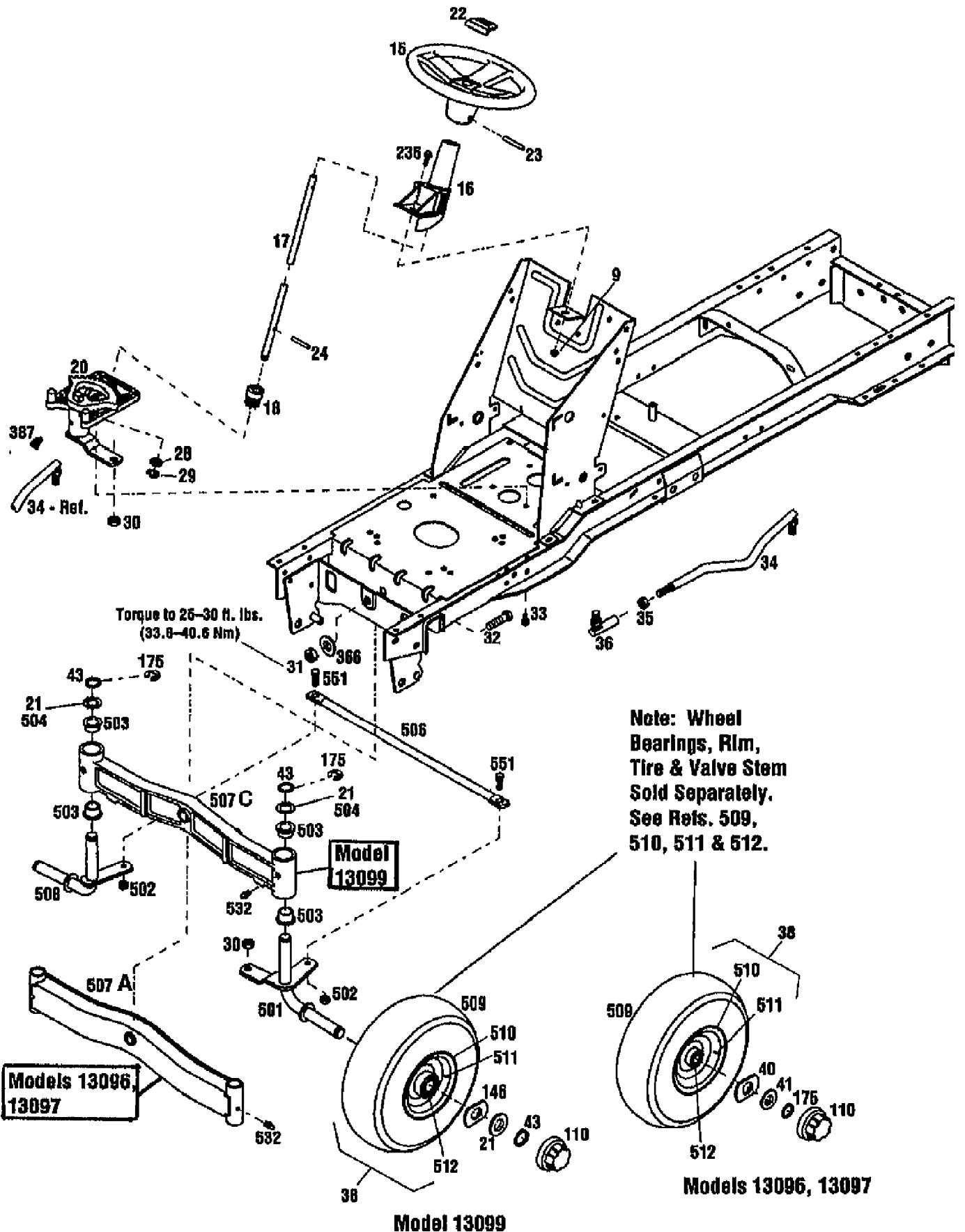
Page 16 of 23

Ref #	Part Number	Qty	S/P/F	Description
?54H	1769250	0		LEVER-BRAKE RH
?54I	1769251	0		LEVER-BRAKE LH
?54J	1769252	0		SHIM
?54K	1769253	0		NUT-HEX LOCK

13099 16HP HYDROSTATIC LTX TRACTOR (S/N 130990100101)
LIFT ASSEMBLY

Page 18 of 23

Ref #	Part Number	Qty	S/P/F	Description
9	1186391	0	S	NUT-HFLK 5/16-18 ZP
10	1100044	0	S	SCR-HHC 5/16-18X.75 GR 5 ZP
39	1772088	0		RETAINER-UTILITY BOX
80	1772156	0		RETAINER-UTILITY BOX
116	1772164	0		SCR-1/4-20X5/8
126	1772157	0		SPEED NUT-1/4-20
180	1107385	0	S	WASHER-1.06X.531X.1 ZP
182	1100350	0	S	PIN-COTTER .120X1.00 ZP
186	1771681	0		HARNES-ACTUATOR
188	1771668	0		SWITCH-ROCKER
227	1100349	0	S	PIN-COTTER .125 X .75 ZP
234	1185376	0	/P	PIN-DRIVE
235	1817091	0		PIN-HITCH
237	1187961	0	/P	PIN-ROLL .156X1.0
241	1738490	0	/P	SPACER
246	1765485	0	/P	KNOB-HEIGHT ADJUST
249	1766048	0		KIT-SVC SCR HGT ADJ
259	1766257	0		BLOCK-HEIGHT ADJUST
260	1766259	0		COLLAR-HEIGHT ADJUST
262	1766346	0		GROMMET-SNAP BUSHING
278	1735531	0	S	TIE-CABLE NYLON BLACK
285	1771873	0		UTILITY BOX
296	1185496	0		NUT
326	1771784	0		SCR-SPECIAL 1/2-13X1 1/2
339	1706621	0		PIN-CLEVIS .5X2.75
355	1770688	0		SUPPORT-FRONT
356	1771799001	0		SUPPORT-REAR
380	1770694	0		SPACER
385	1771678	0		ACTUATOR
393	1771802	0		ROD-LIFT
394	1771814	0		ROD-END
526	1764140	0	/P	BUSHING
527	1766068001	0		LIFT
528	1185649	0	/P	RING-RETAINING EXT .694 ID
537	1701447	0	/P/F	WASHER-1.25X.765X.049
538	1771674001	0		ARM-PIVOT



13099 16HP HYDROSTATIC LTX TRACTOR (S/N 130990100101)
STEERING ASSEMBLY

Page 20 of 23

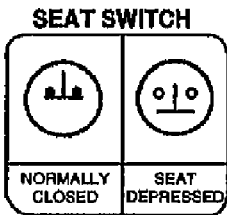
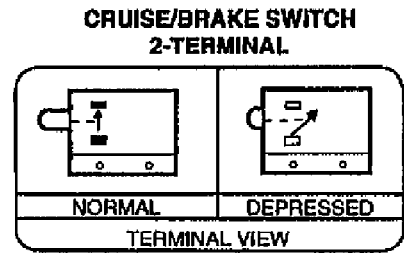
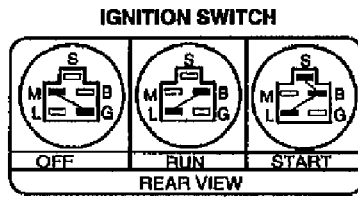
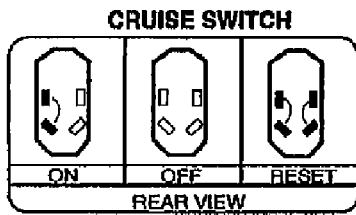
Ref #	Part Number	Qty	S/P/F	Description
?1	1771825001	0	S	ASSM-FRAME LTX {13096/097}
?1	1771828001	0		ASSM-FRAME {13099}
9	1186391	0	S	NUT-HFLK 5/16-18 ZP
15	1766027	0	/P	WHEEL-STEERING
16	1765443	0		SUPPORT-STEERING SHAFT
17	1765010	0	/P	SHAFT-STEERING
18	1771039	0		GEAR-PINION
20	1771320	0	/P	ASSM-STEERING GEAR
21	1703073	0	/P	WASHER-THRUST {13096,13097}
21	1703073	0	/P	WASHER-THRUST {13099}
22	1766221	0		CAP-STEERING
23	1185284	0	S	PIN-ROLL .25X2.25
24	1185348	0	S	PIN-ROLL 1/4 X 1-1/4
28	1705092	0	S	WASHER-1.0X.64X.09
29	1177567	0	S	RING-RETAINING
30	1768796	0	S	NUT-HEX/JAM 1/2-20
31	1758231	0	S/F	NUT-H/LK 5/8-11
32	1767953	0		SCR-HH
33	1766984	0	/P	SCR-HFLK 5/16-18X.75
34	1765315	0		LINK-DRAG
35	1186247	0	S	NUT-JAM
36	1716180	0		JOINT-BALL
38	1767277	0		ASSM-WHEEL & TIRE FRONT {13096,13097}
38	1768790	0		ASSM-WHEEL & TIRE FRONT {13099}
40	1766241	0	/P	WASHER-SPEC .75X2.50
41	1185830	0	S	WASHER-1.38 X.765X .06 ZP
43	1185689	0		RING-HEAVY EXT HD 1.0 ID {13099}
110	1766215	0		CAP-HUB
146	1766242	0	/P	WASHER-SPECIAL .75X2.5
175	1185388	0	S	RING-RET."E".577 ID
236	1186329	0	S	SCR-HFLK 5/16-18X.75 ZP
366	1100266	0	S	WASHER-1.75X.687X.134 ZP
387	1731504	0	S	FITTING-GREASE 90 DEGREE
501	1765263001	0		ASSM-SPINDLE LH {13096/097}
501	1765316001	0		SPINDLE-WHEEL LH {13099}
502	1110150	0	S	NUT-LOCK
503	1764140	0	/P	BUSHING {13096/097}
503	1752556	0		BEARING-FLANGE {13099}
504	1701447	0	/P	WASHER-1.25X.765X.049
506	1765009001	0	S	KIT-TIE ROD W/HDW
507	1765169001	0		AXLE-FRONT {13096/097}
507	1772154001	0		AXLE-FRONT {13099}
508	1765004001	0		ASSM-SPINDLE WHEEL RH {13096/097}
508	1765317001	0		SPINDLE-WHEEL RH {13099}
509	1762254	0	S	TIRE 15X6.00-6RS {13096/097}
509	1768792	0	S	TIRE-16X6.50-8 {13099}
510	1767276	0	/P	DISC WHEEL {13096/097}
510	1766073	0		RIM-WHEEL {13099}
511	1718086	0	S	STEM-VALVE
512	1767273	0	S	BEARINGS-WHEEL {13096/097}
512	1756524	0	/P	BEARING-BALL {13099}
532	1185976	0	S	FITTING-GREASE 1/4-28X2.00

13099 16HP HYDROSTATIC LTX TRACTOR (S/N 130990100101)
STEERING ASSEMBLY

Page 21 of 23

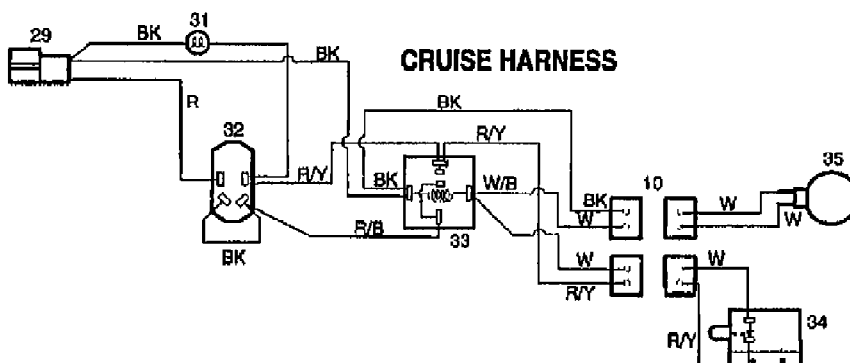
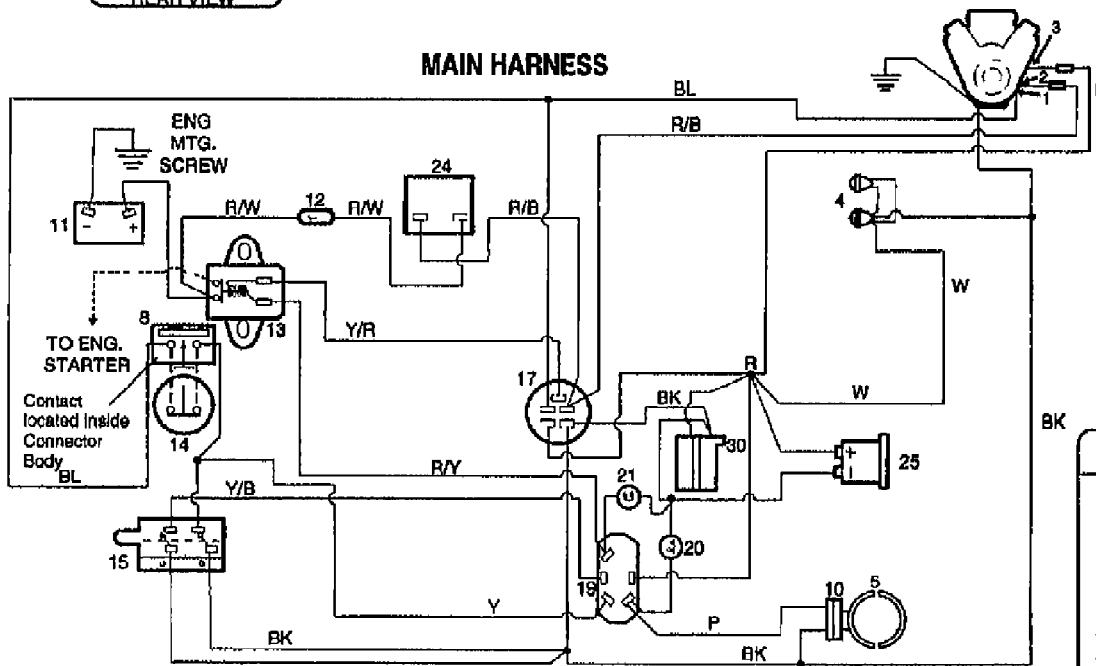
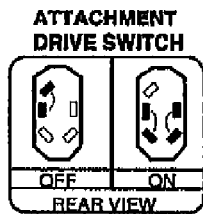
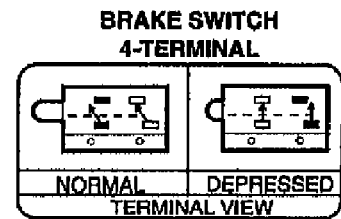
Ref #	Part Number	Qty	S/P/F	Description
?550	1747303	0		BEARING
551	1894062	0	/P	SCR-SHOULDER

WIRING DIAGRAM



WIRE COLOR CODE

BK	Black
BL	Blue
P	Purple
R	Red
W	White
Y	Yellow
R/W	Red/White
R/B	Red/Black
R/Y	Red/Yellow
Y/R	Yellow/Red
W/B	White/Black
Y/B	Yellow/Black



ITEM CODE

1	Magneto
2	Alternator
3	Fuel Solenoid
4	Headlights
5	Attachment Clutch
8	Seat Plug with Switch
10	Connector
11	Battery
12	Fuse
13	Start Solenoid
15	Brake Switch
17	Key Switch
19	Attachment Switch
20	Attachment Light
21	Start Light
24	Ammeter
25	Hourmeter
29	Cruise Socket
30	Cruise Plug
31	Cruise Light
32	Cruise Switch
33	Cruise Relay
34	Cruise/Brake Switch
35	Cruise Magnet

Ref #	Part Number	Qty	S/P/F	Description
1		1		UNKNOWN
2		1		UNKNOWN
3		1		UNKNOWN
4		1		UNKNOWN
5		1		UNKNOWN
8		1		UNKNOWN
10		1		UNKNOWN
11		1		UNKNOWN
12		1		UNKNOWN
13		1		UNKNOWN
14		1		UNKNOWN
15		1		UNKNOWN
17		1		UNKNOWN
20		1		UNKNOWN
21		1		UNKNOWN
24		1		UNKNOWN
25		1		UNKNOWN
29		1		UNKNOWN
30		1		UNKNOWN
31		1		UNKNOWN
32		1		UNKNOWN
33		1		UNKNOWN
34		1		UNKNOWN
35		1		UNKNOWN
	0	0		ILLUSTRATION ONLY