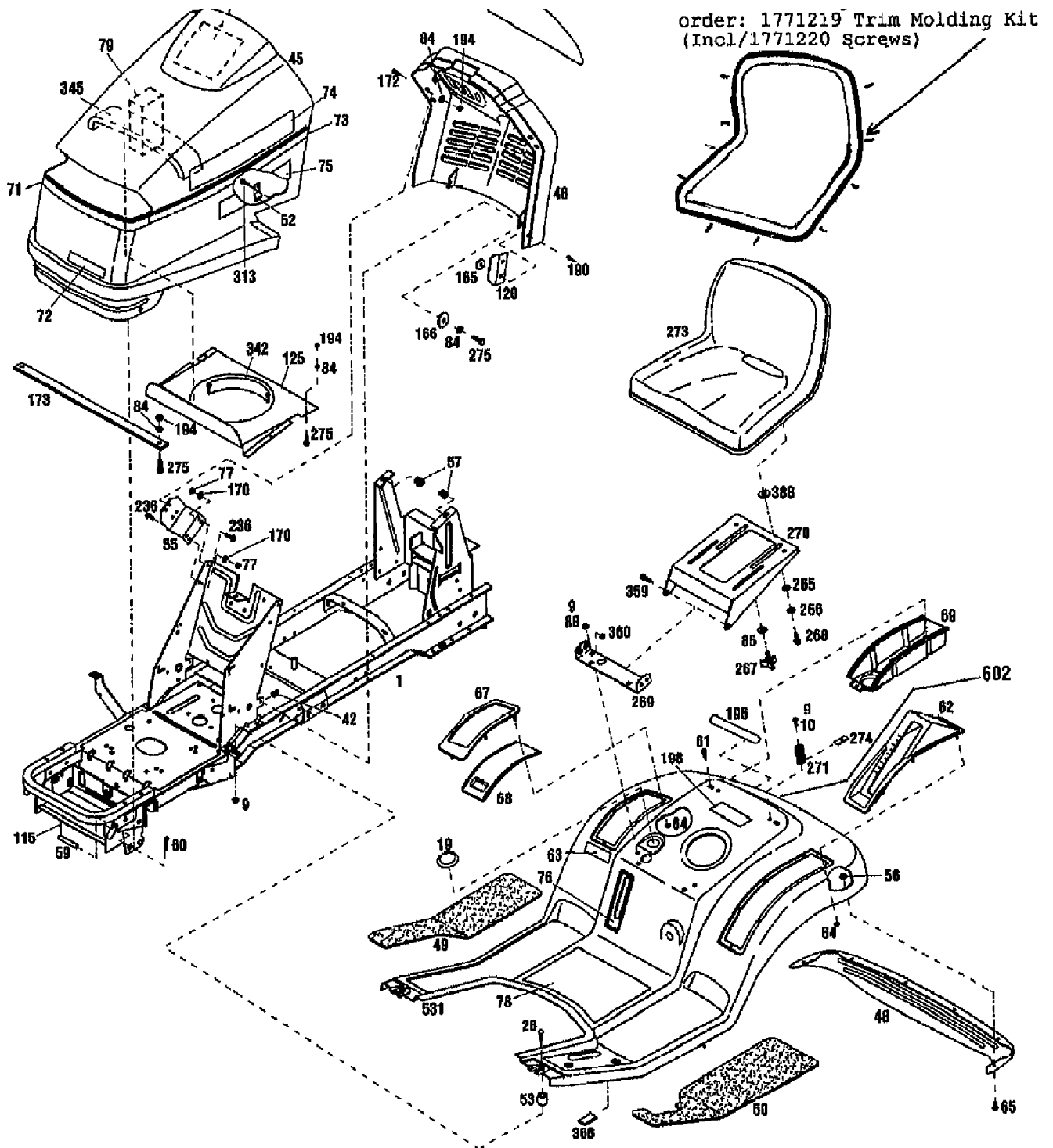


13097 15HP HYDROSTATIC LTX TRACTOR (S/N 130970100101)
BODYWORK & TRIM ASSEMBLY



13097 15HP HYDROSTATIC LTX TRACTOR (S/N 130970100101)
BODYWORK & TRIM ASSEMBLY

Page 2 of 23

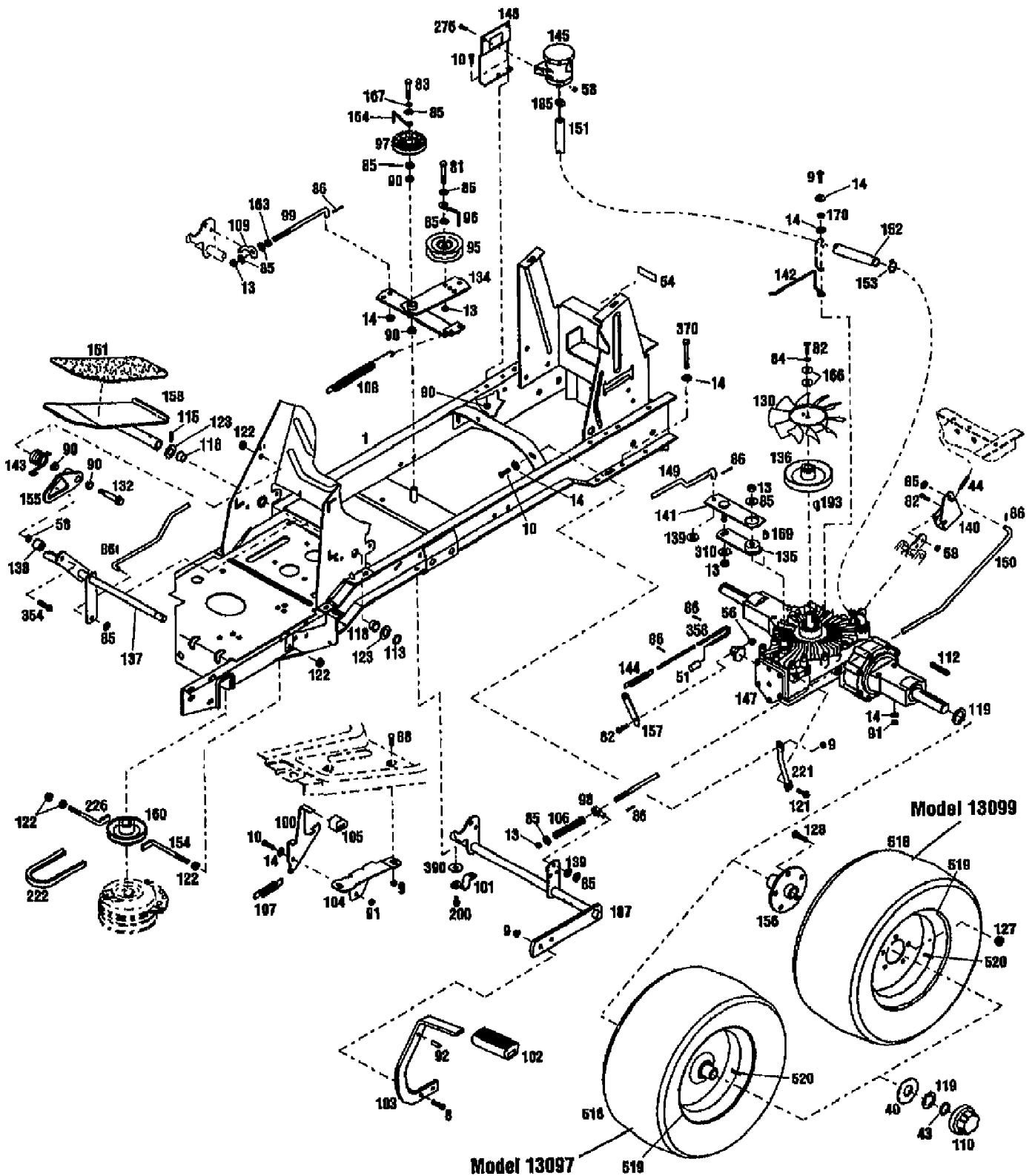
Ref #	Part Number	Qty	S/P/F	Description
1	1771825001	0	S	ASSM-FRAME LTX {13096/097}
1	1771828001	0		ASSM-FRAME {13099}
9	1186391	0	S	NUT-HFLK 5/16-18 ZP
10	1100044	0	S	SCR-HHC 5/16-18X.75 GR 5 ZP
19	1768787	0		PLUG 2.50
26	1186100	0	/P	SCR-CARR 5/16-18X1.0 G2 ZP
42	1185893	0	/P	NUT-SPEED
45	1765382	0		HOOD-TRACTOR
46	1765376	0		CONSOLE
48	1765331010	0		TRIM-FENDER REAR
49	1765370	0		PAD-FOOT RH
50	1765371	0	S	PAD-FOOT LH
52	1765384	0		LATCH
53	1730681	0	/P	SPACER-TUBULAR
55	1768775001	0		BRKT-MOUNTING
56	1186389	0	/P	NUT-HF/LK 1/4-20 ZP
57	1761680	0	S	NUT-SELF RETAIN 5/16-18
59	1765497	0		PIN-PIVOT HOOD
60	1723478	0	/P	PIN-HITCH .125X2.56 ZP
61	1186330	0	S	SCR-LOCK
62	1766139	0	S	COVER-LIFT HANDLE {13096/097}
63	1901900	0	/P	DECAL-AMERICAN LEGEND-LRG
64	1750532	0	S	NUT-SELF THREADING
65	1186309	0	/P	SCR-HH 1/4-20X.625
67	1765493	0		TOP-STORAGE COVER
68	1765492	0		COVER-CONTAINER
69	1765494	0		CONTAINER-STORAGE
71	1766383	0		DECAL-STRIPE HOOD FRONT
72	1759101	0		DECAL-LOGO
73	1766382	0		DECAL-STRIPE SIDE
74	1767886	0	/P	DECAL-LOGO TROY-BILT
75	1772260	0		DECAL-HYDRO
76	1766140	0		DECAL-FUEL LEVEL
77	1186230	0	S	NUT-HEX 5/16-18 ZP
78	1772487	0		DECAL-TUNNEL {13096}
78	1766142	0		DECAL-OPER INST {13097}
78	1772966	0		DECAL-TUNNEL {13099}
79	1768829	0		BLOCK-SEALING {13099}
84	1100241	0	S	WASHER-LK .25 ZP
85	1107383	0	S	WASHER-FLAT 3/8 SAE
88	1186097	0	S	SCR-CARR 5/16-18X.62 G2 ZP
115	1120210	0		PIN-ROLL .188X1.0
120	1768828001	0		BRKT-HOOD ALIGN
125	1767873001	0		SHIELD-HEAT UPPER {13099}
165	1736359	0	/P	WASHER-.88X.2X.059
166	1720883	0	/P	WASHER-FLAT 1.25X.28X.062 ZP
170	1100242	0	S	WASHER-LK .312 ZP
172	1816081	0		SCR
173	1770317001	0		STRAP-HOOD
190	1739918	0		RIVET-POP
194	1186229	0	S	NUT-HEX 1/4-20 ZP
196	1759102	0		DECAL-LOGO FENDER
198	1767876	0		DECAL-FUEL

13097 15HP HYDROSTATIC LTX TRACTOR (S/N 130970100101)
BODYWORK & TRIM ASSEMBLY

Page 3 of 23

Ref #	Part Number	Qty	S/P/F	Description
236	1186329	0	S	SCR-HFLK 5/16-18X.75 ZP
265	1705793	0		WASHER-1.06X.51X.09 NYLON
266	1706782	0	/P	WASHER-BOW .74X.52X.01
267	1734269	0		KNOB
268	1754125	0	/P	SCR-SHLDR 3/8-16X.25 G5ZP
269	1766075001	0		BRKT-SUPPORT SEAT
270	1766074001	0	/P	SUPPORT-SEAT
271	1766077	0	/P	SPRING-COMPRESSION
273	1772784	0		KIT-SEAT (TRACTOR) {13096}
273	1772785	0		KIT-SEAT (TRACTOR) {13097/099}
274	1766347	0	/P	BRKT-SPRING HOLD DOWN
275	1111599	0	S	SCR-HH 1/4-20X.625 G5 ZP
292	1772258	0		LENS-WARNING LIGHTS {13096/097}
292	1764887	0		LENS-INSTRMTS WARN LIGHTS {13099}
313	1185712	0		SCR
342	1767897	0		GASKET-HEAT SHIELD {13099}
345	1767898	0		STRIP-SEALING {13099}
346	1765397	0		DECAL-SERVICE
359	1100913	0	S	SCR-HH 3/8-16X.88 G5 ZP
360	1110108	0	S	NUT-H/LK 3/8-16
368	1767995	0		PAD
388	1893445	0	S	WASHER-FLAT
531	1773202010	0		FENDER-REAR
?600	1735222	0	/P/F	PAINT-BLACK SPRAY
?601	1900706	0	S/F	PAINT-RED SPRAYCAN POWDER
602	1772262	0		DECAL-LTX 13.5 RED {13096}
602	1772263	0		DECAL-LTX 15.5 RED {13097}
602	1772264	0		DECAL-LTX 16 RED {13099}

13097 15HP HYDROSTATIC LTX TRACTOR (S/N 130970100101)
DRIVE & HYDRO ASSEMBLY



13097 15HP HYDROSTATIC LTX TRACTOR (S/N 130970100101)
DRIVE & HYDRO ASSEMBLY

Page 5 of 23

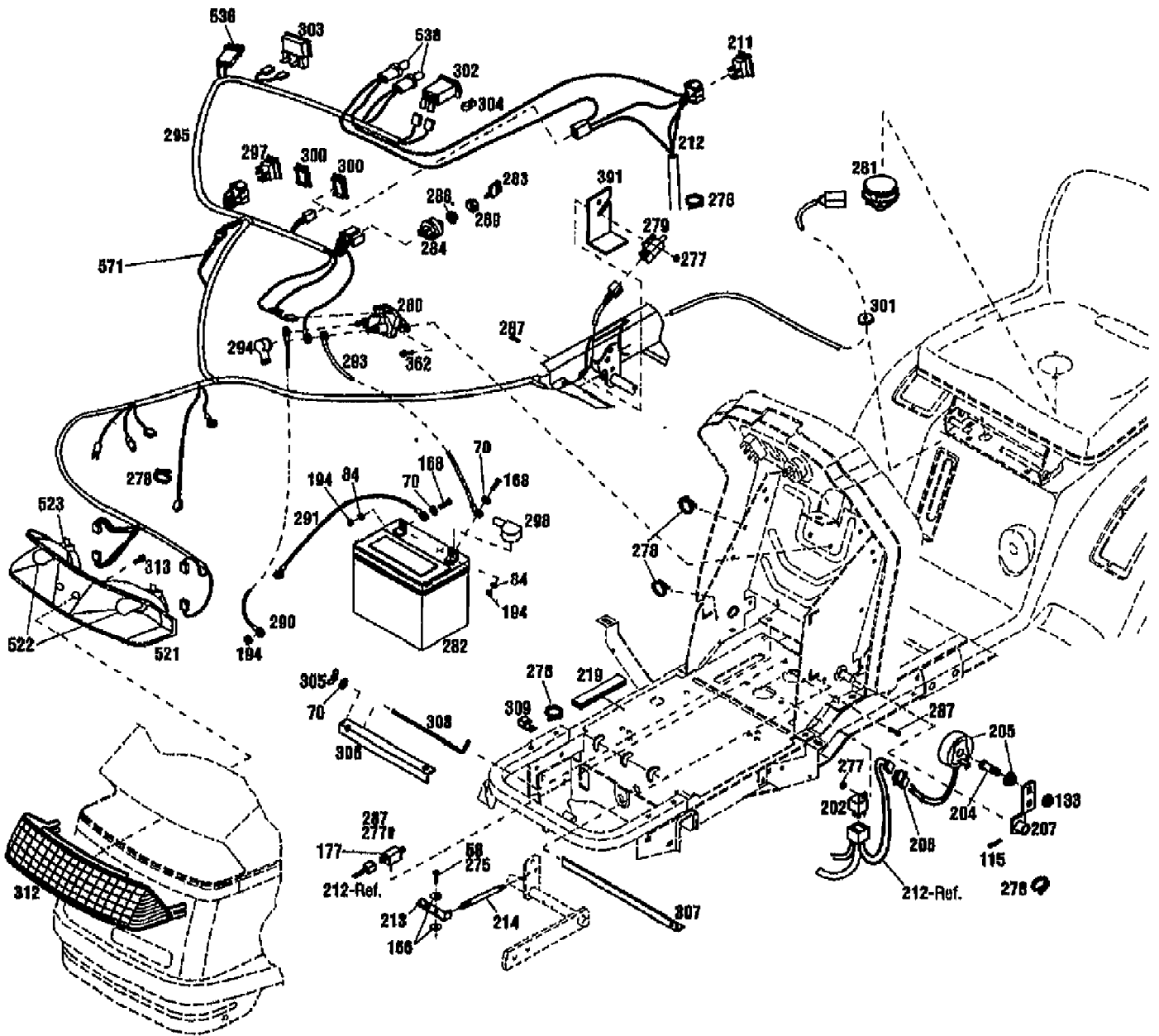
Ref #	Part Number	Qty	S/P/F	Description
1	1771825001	0	S	ASSM-FRAME LTX {13097}
1	1771828001	0		ASSM-FRAME {13099}
8	1100045	0	S	SCR-HH 5/16-18X1.0 G5 ZP
9	1186391	0	S	NUT-HFLK 5/16-18 ZP
10	1100044	0	S	SCR-HHC 5/16-18X.75 GR 5 ZP
13	1733398	0	S	NUT-LOCK 3/8-16
14	1107382	0	/P	WASHER-FLAT 5/16 SAE
40	1766241	0	/P	WASHER-SPEC .75X2.50
43	1185689	0		RING-HEAVY EXT HD 1.0 ID
44	1765307	0		SPRING-EXTENSION
51	1767984	0		GRIP-HANDLE
54	1767967	0		DECAL-TRANS RELEASE
56	1186389	0	/P	NUT-HF/LK 1/4-20 ZP
58	1734398	0	S	NUT-HT LK 1/4-20
81	1100048	0	S	SCR-HH 3/8-16X2.0 G5 ZP
82	1100069	0	S	SCR-HH 1/4-20X1.0
83	1100086	0	S	SCR-HH 3/8-16X1.75 G5 ZP
84	1100241	0	S	WASHER-LK .25 ZP
85	1107383	0	S	WASHER-FLAT 3/8 SAE
86	1100346	0	S	PIN-COTTER .09X.75 ZP
88	1186097	0	S	SCR-CARR 5/16-18X.62 G2 ZP
90	1715538	0	/P	BUSHING-.5X.5 NYLON FLNG
91	1732499	0	/P	NUT-TOP/LK 5/16-18 ZP
92	1770205	0		PIN-DRIVE .312X.75
95	1756151	0	/P	IDLER
96	1760096	0	/P	GUIDE-BELT
97	1760097	0	/P	PULLEY-IDLER
98	1751848	0		SWIVEL
99	1772460	0		ROD-CLUTCH
100	1771514	0		LATCH-BRAKE LOCK
101	1765156	0		CLIP-CLAMP .75 ID
102	1765167	0		PAD-FOOT PEDAL
103	1765252	0		PEDAL-BRAKE
104	1765257	0		BRKT-BRAKE LOCK
105	1765297	0		PAD-BRAKE
106	1765305	0		SPRING-COMPRESSION
107	1985140	0		SPRING-EXTENSION
108	1765402	0	/P	SPRING-EXTENSION
109	1765461	0		ROD-PIVOT
110	1766215	0		CAP-HUB
112	1104338	0	S	KEY-.25 SQ X 2.0
113	1118808	0	/P	RING-RETAIN .625 ID
115	1120210	0		PIN-ROLL .188X1.0
118	1185802	0		BEARING-FLANGE
119	1185816	0	/P	WASHER-SPEC
121	1186327	0	/P	SCR-HFLK 5/16-18X.50 ZP
122	1186393	0	/P	NUT-HFLK 3/8-16 ZP
123	1715301	0	/P	WASHER-1.115X.637X.06
127	1753025	0	/P	NUT-LUG 7/16-20 {13099}
128	1753026	0	S	BOLT-WHEEL {13099}
130	1760370	0	/P	FAN-HYDRO TRANSMISSION
132	1763219	0	/P	SCR-SHLDR 3/8-16
134	1765064	0	/P	ARM-IDLER

13097 15HP HYDROSTATIC LTX TRACTOR (S/N 130970100101)
DRIVE & HYDRO ASSEMBLY

Page 6 of 23

Ref #	Part Number	Qty	S/P/F	Description
135	1765067	0		ARM-HYDRO
136	1765072	0		PULLEY-HYDRO
137	1765079	0		SHAFT-HYDRO PIVOT
138	1767807	0	/P	BEARING-BALL
139	1890945	0	S	WASHER-FLAT .375DIA
140	1765253	0		BRKT-BRAKE HYDRO
141	1765289	0		ARM-CONTROL HYDRO
142	1768836	0		GUIDE-BELT
143	1765306	0		SPRING-TORSION
144	1720928	0		SPRING
145	1772331	0		TANK-EXPANSION
147	1772032	0		TRANSMISSION
148	1772378001	0		SUPT-EXPANSION TANK
149	1765353	0		ROD-CONTROL HYDRO
150	1772921	0		ROD-BRAKE
151	1772386	0		HOSE-5/8
152	1772375	0		SUPPORT-HOSE
153	1765478	0		CLAMP-HOSE 5/8
154	1766025	0	/P	RETAINER-CLUTCH
155	1766015	0		ARM-RETURN NEUTRAL HYDRO
156	1766019	0		HUB-WHEEL {13099}
157	1767909	0		VALVE-DUMP
158	1766085001	0		ASSM-PEDAL HYDRO
160	1766201	0		PULLEY-ENGINE
161	1766202	0	/P	PAD-FOOT PEDAL
163	1186231	0	S	NUT-HEX 3/8-16 ZP
164	1767900	0		GUIDE-BELT
166	1720883	0	/P	WASHER-FLAT 1.25X.28X.062 ZP
167	1100243	0	S	WASHER-LK .375 @ DEPL
169	1100905	0		KEY-WOODRUFF .125X.5
170	1100242	0	S	WASHER-LK .312 ZP
185	1984024	0		CLAMP-HOSE
187	1770312	0		ASSM-PEDAL
193	1185885	0	/P	KEY-WOODRUFF
200	1724491	0	S	SCR-HFLK 5/16-18X.75
221	1765165	0		SUPPORT-TRANSMISSION
222	1765349	0		BELT-V
226	1766153	0		GUIDE-BELT
275	1111599	0	S	SCR-HH 1/4-20X.625 G5 ZP
310	1185715	0	/P	WASHER-LK .375 PYRAMIDAL
354	1186313	0		SCR-HFLK 1/4-20X1.25 G5ZP
358	1767907	0	/P	ROD-DUMP VALVE
370	1111610	0	S	SCR-HH 5/16-18X3.0
390	1705108	0	S	WASHER-.632X.39X.0329
518	1766275	0		TIRE-20X8.00-10 {13097}
518	1768795	0		TIRE {13099}
519	1772256	0		RIM {13097}
519	1766131	0	/P	RIM-WHEEL REAR {13099}
520	1718086	0	S	STEM-VALVE

13097 15HP HYDROSTATIC LTX TRACTOR (S/N 130970100101)
ELECTRICAL ASSEMBLY



13097 15HP HYDROSTATIC LTX TRACTOR (S/N 130970100101)
ELECTRICAL ASSEMBLY

Page 8 of 23

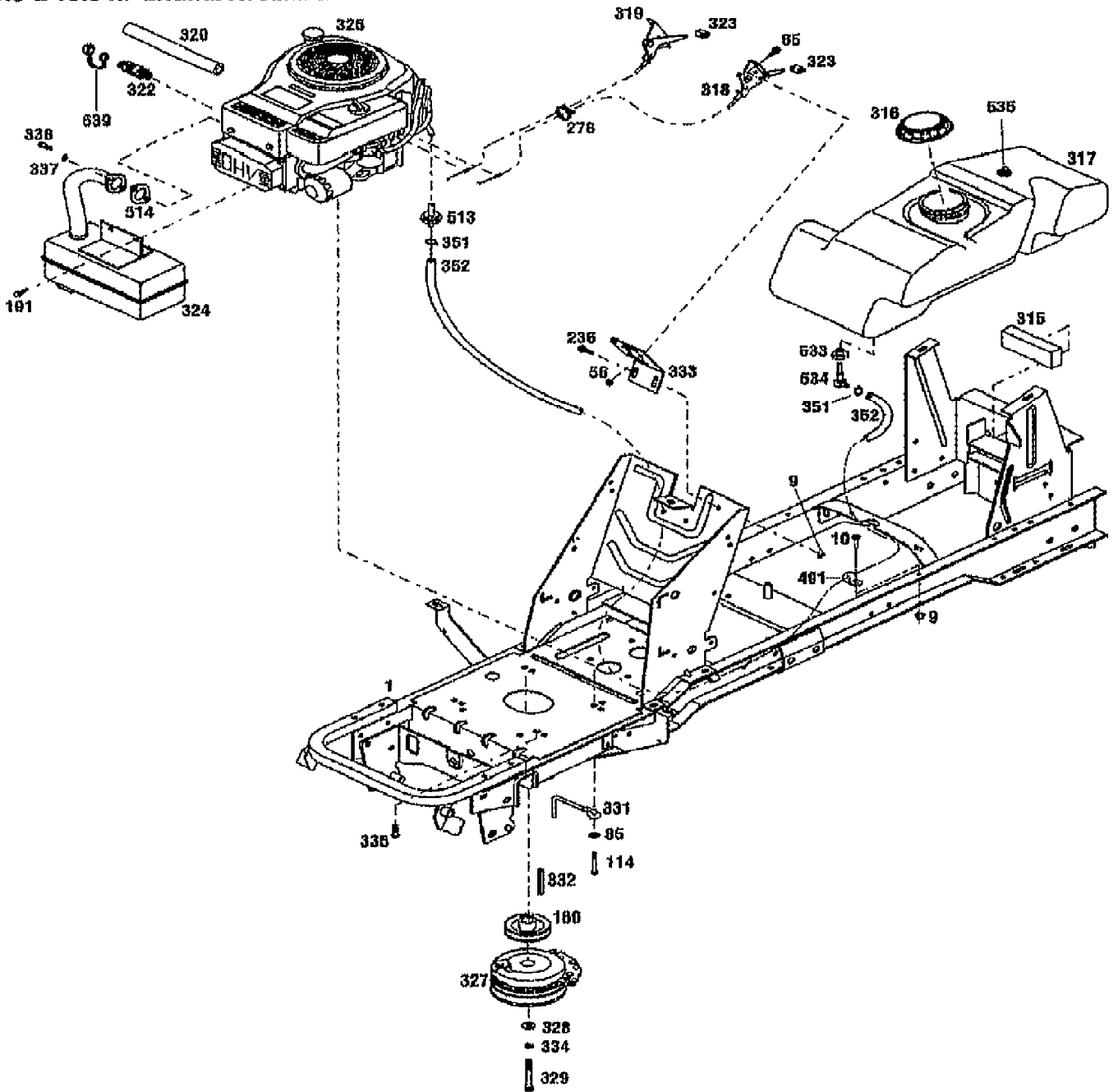
Ref #	Part Number	Qty	S/P/F	Description
58	1734398	0	S	NUT-HT LK 1/4-20 {13099}
70	1107381	0	S	WASHER-FLAT 1/4 SAE
84	1100241	0	S	WASHER-LK .25 ZP
115	1120210	0		PIN-ROLL .188X1.0 {13099}
133	1186396	0		NUT-WHIZ LOCK {13099}
166	1720883	0	/P	WASHER-FLAT 1.25X.28X.062 ZP {13099}
168	1100805	0	S	SCR-HH 1/4-20X.75 G5 ZP
177	1748723	0	/P	SWITCH {13099}
194	1186229	0	S	NUT-HEX 1/4-20 ZP
202	1749907	0	/P	RELAY-SPEED CONTROL {13099}
204	1750736	0	/P	SCR-SPECIAL {13099}
205	1768971	0	/P	ASSM-MAGNET {13099}
206	1767852	0		PIN-TERM HOUSING {13099}
207	1766290	0		ARM-CRUISE {13099}
211	1766350	0	/P	SWITCH-CRUISE {13099}
212	1766351	0		HARNESS-CRUISE {13099}
213	1767803	0		ARM-CRUISE {13099}
214	1767822	0		SPRING {13099}
219	1752694	0		TRIM
275	1111599	0	S	SCR-HH 1/4-20X.625 G5 ZP
277	1185985	0	S	NUT W/LKWASHER 10-24 ZP
278	1735531	0	S	TIE-CABLE NYLON BLACK
279	1751328	0	S	SWITCH
280	1752137	0	S	SOLENOID
281	1768882	0	/P	SWITCH-SEAT
282	1772127	0		BATTERY {13096/097}
282	1772131	0		BATTERY {13099}
283	1753986	0	/P	KEY-IGNITION
284	1754250	0	S	SWITCH-IGNITION
287	1758070	0	S	SCR-HHS 10-24X.625 ZP
288	1758146	0	S	NUT-SWITCH
289	1758147	0	S	CAP-SWITCH
290	1764898	0	S	CABLE-STARTER
291	1764886	0		CABLE-BATTERY (-)
293	1764888	0		CABLE-BATTERY
294	1764890	0		BOOT-SOLENOID
295	1771660	0		HARNESS-WIRING {13096/097}
295	1771661	0		HARNESS-WIRING {13099}
297	1771865	0	/P	SWITCH-PTO
298	1764899	0		BOOT-TERMINAL
300	1766184	0		COVER-SWITCH {13096/097}
301	1766264	0		GROMMET
302	1771652	0		METER-HOUR
303	1764884	0		AMMETER {13099}
304	1766185	0		CLIP-TINNERMAN {13099}
305	1709652	0		NUT-WING
306	1765258001	0	S	CLAMP-BATTERY
307	1765444001	0		BRKT-BATTERY LOWER
308	1766163	0	S	SCR-HOOK
309	1747738	0	/P	CLIP-J
312	1765400	0	/P	LENSE-HEADLIGHT
313	1185712	0		SCR
362	1724492	0		SCR 1/4-20X.5 FL SELF TAP

13097 15HP HYDROSTATIC LTX TRACTOR (S/N 130970100101)
ELECTRICAL ASSEMBLY

Page 9 of 23

Ref #	Part Number	Qty	S/P/F	Description
391	1771758	0		BRACKET-SWITCH
521	1768803	0	S	HEADLGT-REFL (PART OF 1772002)
522	1772001	0	S	LIGHTBULB
523	1752875	0		SOCKET
536	1768969	0	S	FUSE
538	1764897	0	S	LIGHTBULB
571	1755616	0		ASSM-DIODE

13.5 & 15.5 HP ENGINE ASSEMBLY

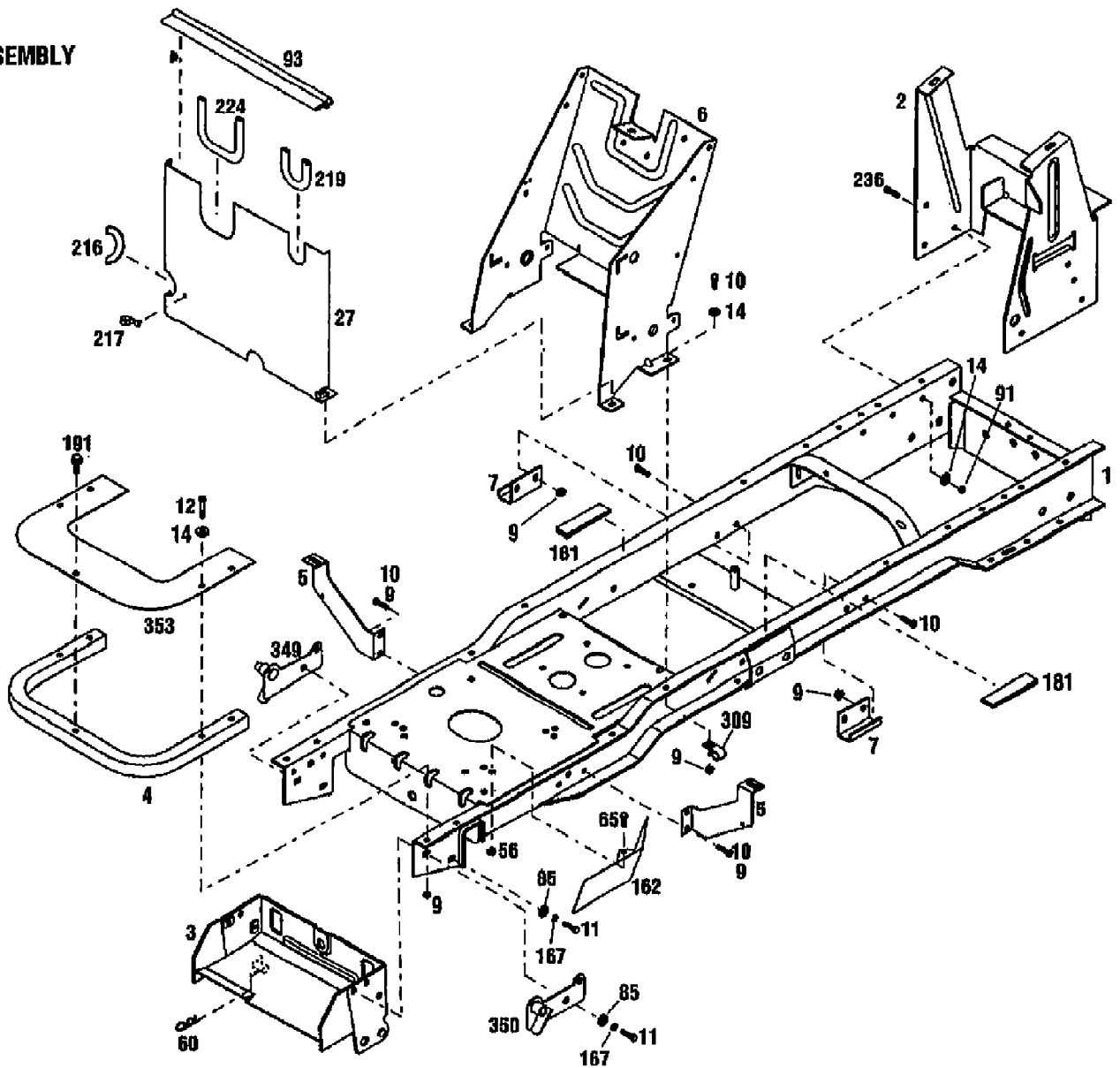


13097 15HP HYDROSTATIC LTX TRACTOR (S/N 130970100101)
ENGINE ASSEMBLY

Page 11 of 23

Ref #	Part Number	Qty	S/P/F	Description
1	1771825001	0	S	ASSM-FRAME LTX
9	1186391	0	S	NUT-HFLK 5/16-18 ZP
10	1100044	0	S	SCR-HHC 5/16-18X.75 GR 5 ZP
56	1186389	0	/P	NUT-HF/LK 1/4-20 ZP
?65	1186309	0	/P	SCR-HH 1/4-20X.625
85	1107383	0	S	WASHER-FLAT 3/8 SAE
114	1768194	0	S	SCR-THRD FRM 3/8-16X1.50
160	1766201	0		PULLEY-ENGINE
191	1754128	0	/P	SCR-FLANGE 1/4-20X3/4 GR5
?219	1752694	0		TRIM
236	1186329	0	S	SCR-HFLK 5/16-18X.75 ZP
278	1735531	0	S	TIE-CABLE NYLON BLACK
315	1766341	0		PAD-FUEL TANK
316	1766188	0	/P	CAP-FUEL
317	1765404	0		TANK-FUEL
318	1767983	0	S	CONTROL-THROTTLE
319	1767982	0		CONTROL-CHOKE
320	1769006	0	S	HOSE-OIL DRAIN
322	1768865	0	S	ASSM-OIL VALVE
323	1766121	0	/P	KNOB
324	1770569	0	S	MUFFLER
325	0	0	F	ENGINE, 13HP BRIGGS & STRATTON, MODEL 28M707
325	0	0	F	ENGINE, 15.5HP BRIGGS & STRATTON, MODEL 28N707
327	1755341	0	S	CLUTCH-ELECTRIC
328	1744455	0	/P	WASHER-SPEC 1.42X.468X.25 ZP
329	1767165	0	S	SCR-HH 7/16-20X3.00
331	1754787	0	/P	CLUTCH-RETAINER
332	1748146	0		KEY-.25 SQ X 2.5
333	1766119001	0		BRKT-MOUNTING CONTROL
334	1100244	0	S	WASHER-LK .438 ZP
335	1762042	0		SCR-HH 3/8-16X1.0 THDFM
337	1185140	0	S	WASHER-LOCK
338	1747993	0	S	SCR-HXSKT 5/16-18X.75 BO
351	1750687	0	S	CLAMP-HOSE
352	1767879	0		LINE-FUEL
401	1807450	0		CLAMP-WIRE
513	1727491	0	S	FILTER-FUEL
514	0	0	F	MUFFLER GASKET
533	1738433	0	S	BUSHING-RUBBER
534	1751477	0	S	ELBOW-90 DEG (FUEL LINE)
535	1768804	0	S	VENT-FUEL TANK
539	1766326	0		CAP-OIL DRAIN

FRAME ASSEMBLY

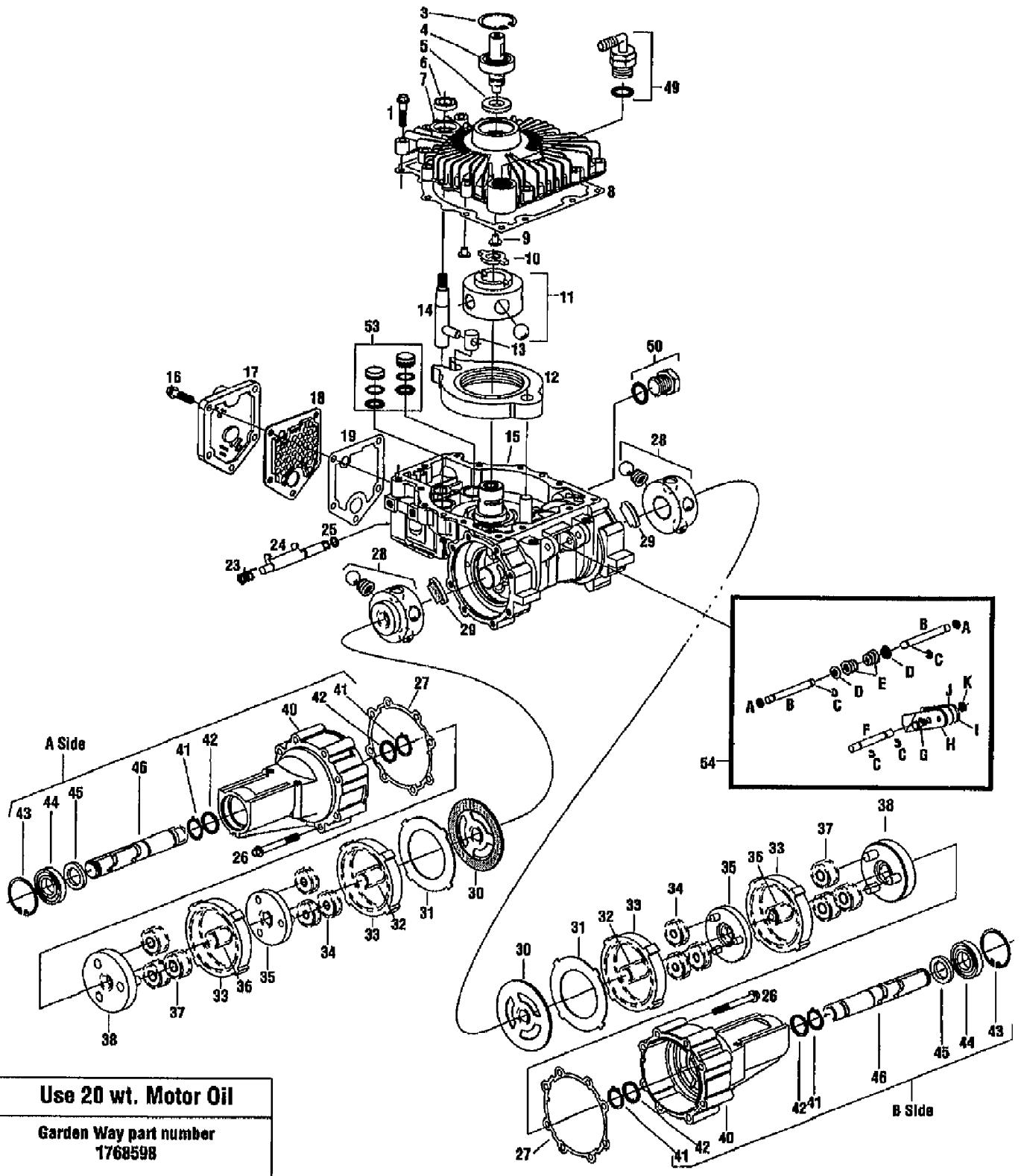


13097 15HP HYDROSTATIC LTX TRACTOR (S/N 130970100101)
FRAME ASSEMBLY

Page 13 of 23

Ref #	Part Number	Qty	S/P/F	Description
1	1771825001	0	S	ASSM-FRAME LTX {13096/097}
1	1771828001	0		ASSM-FRAME {13099}
2	1766050001	0		SUPPORT-REAR TANK
3	1772250001	0		ASSM-BRKT ATTACHMENT
4	1772390001	0		BUMPER-FRONT
5	1765431001	0		SUPPORT-FENDER
6	1772013001	0		SUPPORT-CONSOLE
7	1766086001	0		STOP-MOWER DECK
9	1186391	0	S	NUT-HFLK 5/16-18 ZP
10	1100044	0	S	SCR-HHC 5/16-18X.75 GR 5 ZP
11	1100046	0	S	SCR-HH 3/8-16X1.0 G5 ZP
12	1100779	0	S	SCR-HH 5/16-18X1.75
14	1107382	0	/P	WASHER-FLAT 5/16 SAE
27	1768826001	0		SHIELD-HEAT {13099}
56	1186389	0	/P	NUT-HF/LK 1/4-20 ZP
60	1723478	0	/P	PIN-HITCH .125X2.56 ZP
65	1186309	0	/P	SCR-HH 1/4-20X.625
85	1107383	0	S	WASHER-FLAT 3/8 SAE
91	1732499	0	/P	NUT-TOP/LK 5/16-18 ZP
93	1768834	0		GASKET-HEAT SHIELD {13099}
162	1767874001	0		SHIELD-HEAT UPPER {13099}
167	1100243	0	S	WASHER-LK .375 @ DEPL
181	1767883	0		PAD
191	1754128	0	/P	SCR-FLANGE 1/4-20X3/4 GR5
216	1768835	0		TRIM {13099}
217	1745366	0		HANGER-CABLE {13099}
219	1752694	0		TRIM {13099}
224	1768840	0		TRIM-HEAT SHIELD {13099}
236	1186329	0	S	SCR-HFLK 5/16-18X.75 ZP
309	1747738	0	/P	CLIP-J
349	1767867001	0		PLATE-PIVOT RH
350	1767868001	0		PLATE-PIVOT LH
353	1767963	0		SHIELD-HEAT {13099}

EATON 751 HYDRO TRANSMISSION ASSEMBLY



13097 15HP HYDROSTATIC LTX TRACTOR (S/N 130970100101)
HYDRO (EATON 751) BREAKDOWN

Page 15 of 23

Ref #	Part Number	Qty	S/P/F	Description
	1768598	0		OIL-SAE 20 HYDROSTATIC
1	1769200	0		SCR
3	1769201	0		RING-RETAINING
4	1760892	0		SHAFT-INPUT
5	1760893	0	S	SEAL-OIL
6	1757374	0		SEAL-CONTROL SHAFT
7	1769202	0		COVER
8	1769203	0	/P	COVER-GASKET
9	1769204	0		BUTTON
10	1769205	0		DRIVE
11	0	0		PUMP ROTOR/BALL/PIN
12	0	0		CAM RING
13	1769208	0		INSERT
14	1769209	0		SHAFT-CONTROL EXT THREAD
15	1769211	0		HOUSING
16	1769212	0	F	SCR
17	0	0		FILTER BASE "L"
18	0	0		FILTER
19	0	0		GASKET
23	1769217	0		VALVE-SPRING DUMP
24	1757376	0	/P	BRACKET
25	1757377	0		RING-O
26	1769218	0		SCR
27	1769219	0		GASKET-AXLE HSG
28	1769220	0		15T MOTOR ROTOR/BALL
29	1769221	0		PAD-FRICTION
30	1769222	0	/P	PLATE-REACTION
31	1769223	0		PLATE-BACKUP
32	1769224	0		15T SUN GEAR, FIRST
33	1769225	0		GEAR-RING 57T
34	1769226	0		GEAR-PLANET
35	1769227	0		PRIMARY CARRIER
36	0	0		15T, SUN GEAR
37	0	0		21T, PINT GEAR
38	1769230	0		SECOND CARRIER
40	1769231	0		AXLE-HOUSING
41	1769232	0		RING-RETAIN EXT
42	1769233	0		WASHER-THRUST
43	1769234	0		RING-RETAIN INT
44	1757700	0		BEARING
45	1769235	0	/P	SEAL-RADIAL LIP
46	1769236	0		AXLE-SHAFT
49	0	0		90 DEGREE FITTING/O-RING
50	0	0		PLUG/O-RING
53	1769242	0		PISTON
54	0	0		BRAKE LEVER PARTS
?54A	1769243	0		SEAL-QUAD
?54B	1769244	0		ROD-PUSH
?54C	1769245	0	S	RING-RETAIN "E"
?54D	1769246	0		BASE-SPRING
?54E	1769247	0		SPRING-CONICAL
?54F	1769248	0		BRAKE-SHAFT
?54G	1769249	0		SCR-HH

13097 15HP HYDROSTATIC LTX TRACTOR (S/N 130970100101)
HYDRO (EATON 751) BREAKDOWN

Page 16 of 23

Ref #	Part Number	Qty	S/P/F	Description
?54H	1769250	0		LEVER-BRAKE RH
?54I	1769251	0		LEVER-BRAKE LH
?54J	1769252	0		SHIM
?54K	1769253	0		NUT-HEX LOCK

13097 15HP HYDROSTATIC LTX TRACTOR (S/N 130970100101)
LIFT ASSEMBLY

Page 18 of 23

Ref #	Part Number	Qty	S/P/F	Description
1		1		UNKNOWN
9	1186391	0	S	NUT-HFLK 5/16-18 ZP
13	1733398	0	S	NUT-LOCK 3/8-16
29	1177567	0	S	RING-RETAINING
85	1107383	0	S	WASHER-FLAT 3/8 SAE
163	1186231	0	S	NUT-HEX 3/8-16 ZP
197	1767877	0		DECAL-WARNING
227	1100349	0	S	PIN-COTTER .125 X .75 ZP
231	1111614	0	S	SCR-HH 3/8-16X3.0 G5 ZP
232	1100799	0	S	SCR-HH 5/16-18X1.5 G5 ZP
234	1185376	0	/P	PIN-DRIVE {13097}
235	1817091	0		PIN-HITCH {13097}
236	1186329	0	S	SCR-HFLK 5/16-18X.75 ZP
237	1187961	0	/P	PIN-ROLL .156X1.0 {13097}
239	1714521	0		BEARING-SPHERICAL
240	1717942	0		NUT-SPECIAL 5/16-18
241	1738490	0	/P	SPACER {13097}
242	1763355	0	S	WASHER-1.5X.375X.18 ZP
243	1765445	0		SPRING-LIFT ASSIST
244	1765457	0		BRKT-LIFT ASSIST
245	1765458	0		SCR-LIFT ASSIST
246	1765485	0	/P	KNOB-HEIGHT ADJUST {13097}
247	1766028	0		BLOCK-DETENT
248	1766029001	0		LATCH
249	1766048	0		KIT-SVC SCR HGT ADJ {13097}
250	1766057	0		CLAMP-LIFT
251	1766058	0		ROD-LIFT
252	1772438	0	/P	SWIVEL-REAR LIFT
254	1766080	0		SPACER
255	1766174	0		SPRING-EXTENSION
256	1766175	0		SCR-SHOULDER
257	1766178	0		ROD
259	1766257	0		BLOCK-HEIGHT ADJUST {13097}
260	1766259	0		COLLAR-HEIGHT ADJUST {13097}
261	1766340	0		GRIP-LIFT
262	1766346	0		GROMMET-SNAP BUSHING {13097}
276	1767880	0	S	BUTTON-LIFT
525	1766032001	0		HANDLE-LIFT
526	1764140	0	/P	BUSHING
527	1766068001	0		LIFT
528	1185649	0	/P	RING-RETAINING EXT .694 ID
529	1768718	0		LINK-LIFT W/DECAL
530	1768717	0	/P	LINK-LIFT W/DECAL

13097 15HP HYDROSTATIC LTX TRACTOR (S/N 130970100101)
STEERING ASSEMBLY

Page 20 of 23

Ref #	Part Number	Qty	S/P/F	Description
1	1771825001	0	S	ASSM-FRAME LTX {13096/097}
1	1771828001	0		ASSM-FRAME {13099}
9	1186391	0	S	NUT-HFLK 5/16-18 ZP
15	1766027	0	/P	WHEEL-STEERING
16	1765443	0		SUPPORT-STEERING SHAFT
17	1765010	0	/P	SHAFT-STEERING
18	1771039	0		GEAR-PINION
20	1771320	0	/P	ASSM-STEERING GEAR
21	1703073	0	/P	WASHER-THRUST {13096,13097}
21	1703073	0	/P	WASHER-THRUST {13099}
22	1766221	0		CAP-STEERING
23	1185284	0	S	PIN-ROLL .25X2.25
24	1185348	0	S	PIN-ROLL 1/4 X 1-1/4
28	1705092	0	S	WASHER-1.0X.64X.09
29	1177567	0	S	RING-RETAINING
30	1768796	0	S	NUT-HEX/JAM 1/2-20
31	1758231	0	S/F	NUT-H/LK 5/8-11
32	1767953	0		SCR-HH
33	1766984	0	/P	SCR-HFLK 5/16-18X.75
34	1765315	0		LINK-DRAG
35	1186247	0	S	NUT-JAM
36	1716180	0		JOINT-BALL
38	1767277	0		ASSM-WHEEL & TIRE FRONT {13096,13097}
38	1768790	0		ASSM-WHEEL & TIRE FRONT {13099}
40	1766241	0	/P	WASHER-SPEC .75X2.50
41	1185830	0	S	WASHER-1.38 X.765X .06 ZP
43	1185689	0		RING-HEAVY EXT HD 1.0 ID {13099}
110	1766215	0		CAP-HUB
146	1766242	0	/P	WASHER-SPECIAL .75X2.5
175	1185388	0	S	RING-RET."E".577 ID
236	1186329	0	S	SCR-HFLK 5/16-18X.75 ZP
366	1100266	0	S	WASHER-1.75X.687X.134 ZP
387	1731504	0	S	FITTING-GREASE 90 DEGREE
501	1765263001	0		ASSM-SPINDLE LH {13096/097}
501	1765316001	0		SPINDLE-WHEEL LH {13099}
502	1110150	0	S	NUT-LOCK
503	1764140	0	/P	BUSHING {13096/097}
503	1752556	0		BEARING-FLANGE {13099}
504	1701447	0	/P	WASHER-1.25X.765X.049
506	1765009001	0	S	KIT-TIE ROD W/HDW
507	1765169001	0		AXLE-FRONT {13096/097}
507	1772154001	0		AXLE-FRONT {13099}
508	1765004001	0		ASSM-SPINDLE WHEEL RH {13096/097}
508	1765317001	0		SPINDLE-WHEEL RH {13099}
509	1762254	0	S	TIRE 15X6.00-6RS {13096/097}
509	1768792	0	S	TIRE-16X6.50-8 {13099}
510	1767276	0	/P	DISC WHEEL {13096/097}
510	1766073	0		RIM-WHEEL {13099}
511	1718086	0	S	STEM-VALVE
512	1767273	0	S	BEARINGS-WHEEL {13096/097}
512	1756524	0	/P	BEARING-BALL {13099}
532	1185976	0	S	FITTING-GREASE 1/4-28X2.00

13097 15HP HYDROSTATIC LTX TRACTOR (S/N 130970100101)
STEERING ASSEMBLY

Page 21 of 23

Ref #	Part Number	Qty	S/P/F	Description
?550	1747303	0		BEARING
551	1894062	0	/P	SCR-SHOULDER

Ref #	Part Number	Qty	S/P/F	Description
1		1		UNKNOWN
2		1		UNKNOWN
3		1		UNKNOWN
4		1		UNKNOWN
5		1		UNKNOWN
6		1		UNKNOWN
8		1		UNKNOWN
10		1		UNKNOWN
11		1		UNKNOWN
12		1		UNKNOWN
13		1		UNKNOWN
14		1		UNKNOWN
15		1		UNKNOWN
17		1		UNKNOWN
19		1		UNKNOWN
20		1		UNKNOWN
21		1		UNKNOWN
25		1		UNKNOWN
30		1		UNKNOWN
	0	0		ILLUSTRATION ONLY