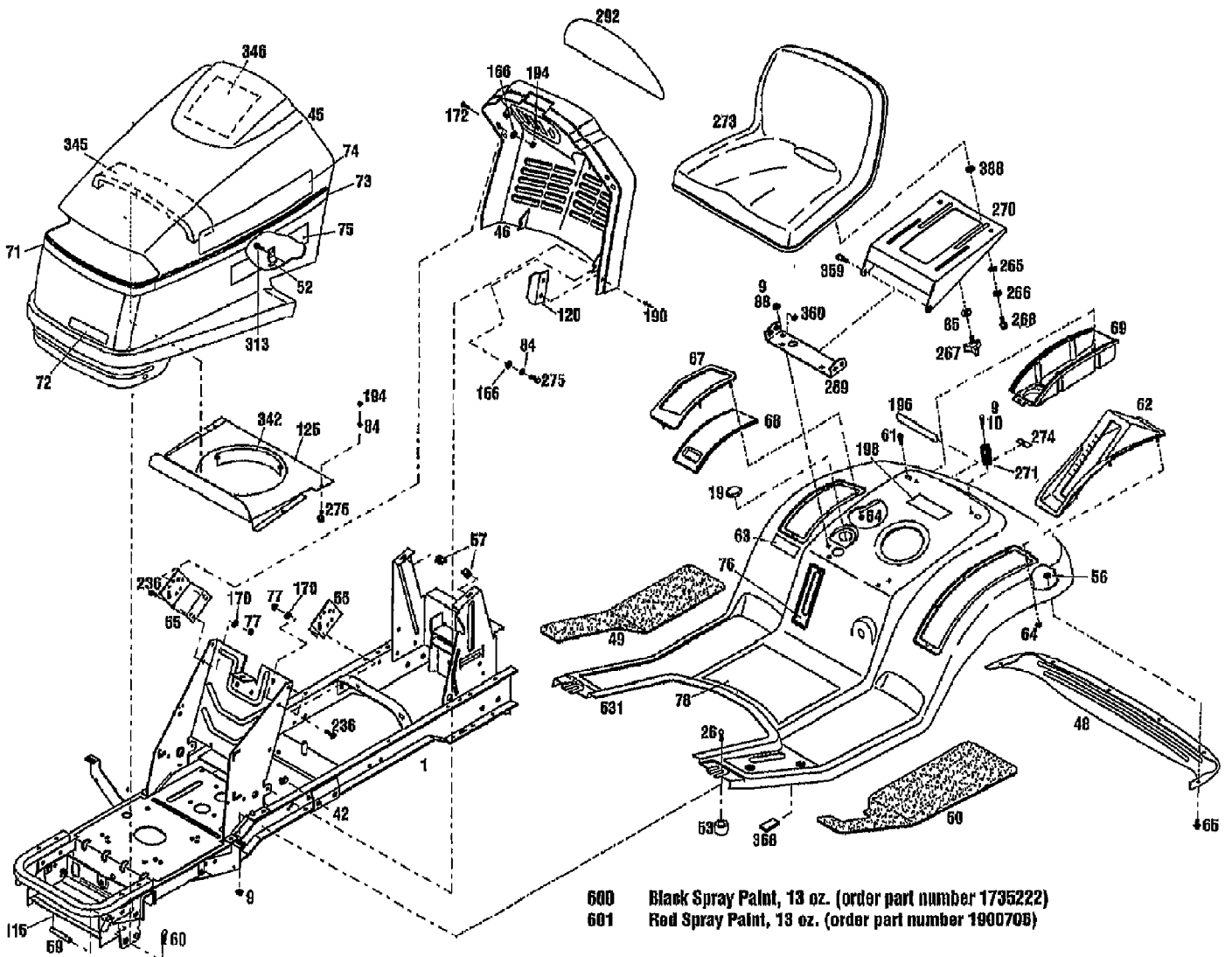


13085 13HP HYDROSTATIC LAWN TRACTOR (S/N 130850100101)
BODYWORK & TRIM ASSEMBLY



13085 13HP HYDROSTATIC LAWN TRACTOR (S/N 130850100101)
BODYWORK & TRIM ASSEMBLY

Page 2 of 21

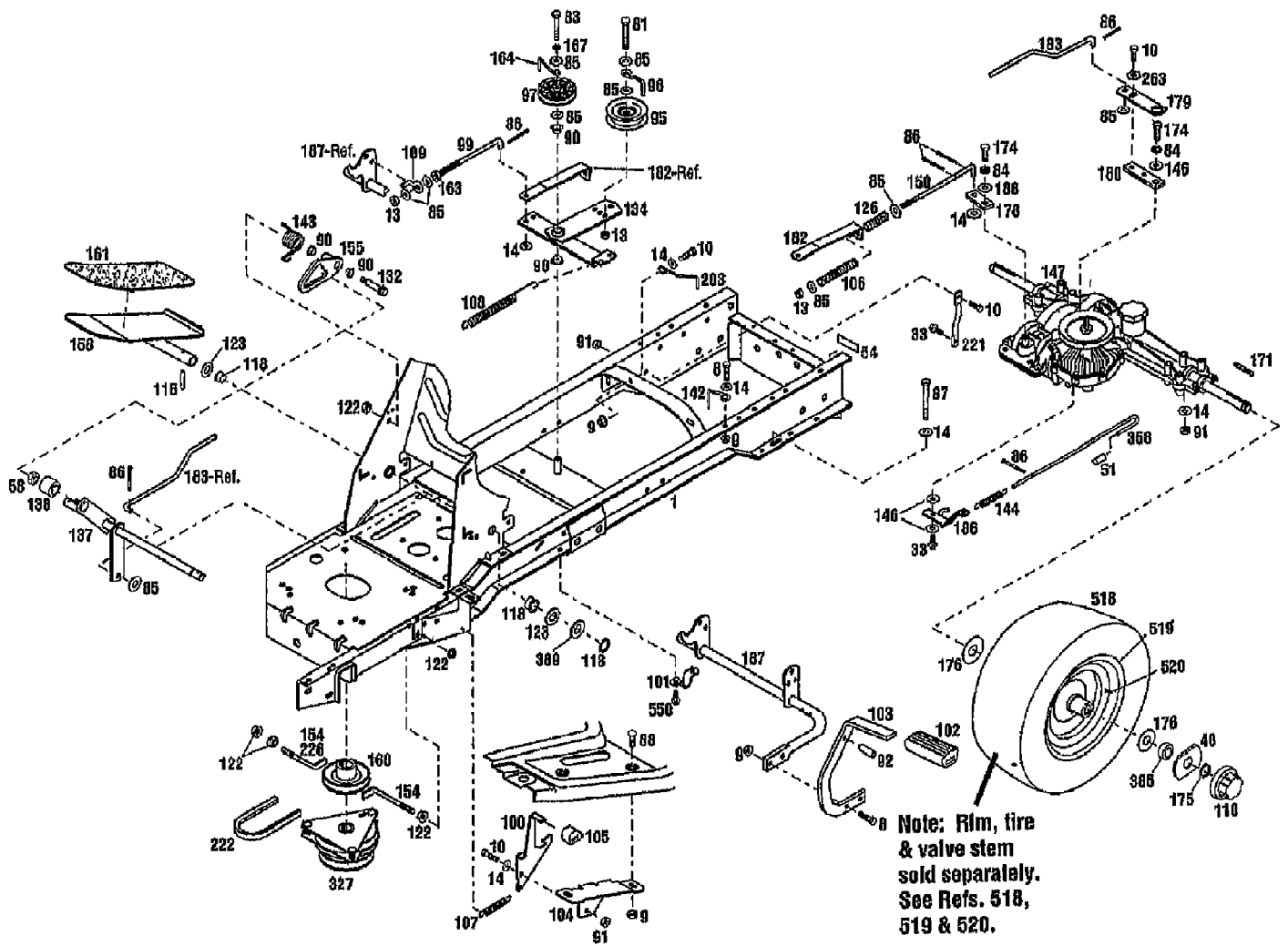
Ref #	Part Number	Qty	S/P/F	Description
1	1765435001	0	S	ASSM-FRAME LTX
9	1186391	0	S	NUT-HFLK 5/16-18 ZP
10	1100044	0	S	SCR-HHC 5/16-18X.75 GR 5 ZP
19	1768787	0		PLUG 2.50
26	1186100	0	/P	SCR-CARR 5/16-18X1.0 G2 ZP
42	1185893	0	/P	NUT-SPEED
45	1765382	0		HOOD-TRACTOR
46	1765376	0		CONSOLE
48	1765331010	0		TRIM-FENDER REAR
49	1765370	0		PAD-FOOT RH
50	1765371	0	S	PAD-FOOT LH
52	1765384	0		LATCH
?53	1730681	0	/P	SPACER-TUBULAR
55	1768775001	0		BRKT-MOUNTING
56	1186389	0	/P	NUT-HF/LK 1/4-20 ZP
57	1761680	0	S	NUT-SELF RETAIN 5/16-18
59	1765497	0		PIN-PIVOT HOOD
60	1723478	0	/P	PIN-HITCH .125X2.56 ZP
61	1186330	0	S	SCR-LOCK
62	1766139	0	S	COVER-LIFT HANDLE
63	1901900	0	/P	DECAL-AMERICAN LEGEND-LRG
64	1750532	0	S	NUT-SELF THREADING
65	1186309	0	/P	SCR-HH 1/4-20X.625
67	1765493	0		TOP-STORAGE COVER
68	1765492	0		COVER-CONTAINER
69	1765494	0		CONTAINER-STORAGE
71	1766383	0		DECAL-STRIPE HOOD FRONT
72	1759101	0		DECAL-LOGO
73	1766382	0		DECAL-STRIPE SIDE
74	1767886	0	/P	DECAL-LOGO TROY-BILT
75	1767813	0		DECAL-MODEL 13035 {13085}
75	1767814	0		DECAL-MODEL 13036 {13086}
76	1766140	0		DECAL-FUEL LEVEL
77	1186230	0	S	NUT-HEX 5/16-18 ZP
78	1766142	0		DECAL-OPER INST
84	1100241	0	S	WASHER-LK .25 ZP
85	1107383	0	S	WASHER-FLAT 3/8 SAE
88	1186097	0	S	SCR-CARR 5/16-18X.62 G2 ZP
115	1120210	0		PIN-ROLL .188X1.0
120	1768828001	0		BRKT-HOOD ALIGN
125	1767873001	0		SHIELD-HEAT UPPER
166	1720883	0	/P	WASHER-FLAT 1.25X.28X.062 ZP
170	1100242	0	S	WASHER-LK .312 ZP
172	1816081	0		SCR
190	1739918	0		RIVET-POP
194	1186229	0	S	NUT-HEX 1/4-20 ZP
196	1759102	0		DECAL-LOGO FENDER
198	1767876	0		DECAL-FUEL
236	1186329	0	S	SCR-HFLK 5/16-18X.75 ZP
265	1705793	0		WASHER-1.06X.51X.09 NYLON
266	1706782	0	/P	WASHER-BOW .74X.52X.01
267	1734269	0		KNOB
268	1754125	0	/P	SCR-SHLDR 3/8-16X.25 G5ZP

13085 13HP HYDROSTATIC LAWN TRACTOR (S/N 130850100101)
BODYWORK & TRIM ASSEMBLY

Page 3 of 21

Ref #	Part Number	Qty	S/P/F	Description
269	1766075001	0		BRKT-SUPPORT SEAT
270	1766074001	0	/P	SUPPORT-SEAT
271	1766077	0	/P	SPRING-COMPRESSION
273	1766160	0		KIT-SEAT (TRACTOR) {13085}
273	1766161	0		KIT-SEAT (TRACTOR) {1766461}{13086}
274	1766347	0	/P	BRKT-SPRING HOLD DOWN
275	1111599	0	S	SCR-HH 1/4-20X.625 G5 ZP
292	1766349	0		LENS-INSTRMNTS WARN LIGHTS(13085,13086)
313	1185712	0		SCR
342	1767897	0		GASKET-HEAT SHIELD
345	1767898	0		STRIP-SEALING
346	1765397	0		DECAL-SERVICE
359	1100913	0	S	SCR-HH 3/8-16X.88 G5 ZP
360	1110108	0	S	NUT-H/LK 3/8-16
368	1767995	0		PAD
388	1893445	0	S	WASHER-FLAT
531	1768715	0		FENDER-GREEN W/DECALS
600	1735222	0	/P/F	PAINT-BLACK SPRAY
601	1900706	0	S/F	PAINT-RED SPRAYCAN POWDER

13085 13HP HYDROSTATIC LAWN TRACTOR (S/N 130850100101)
DRIVE & HYDRO ASSEMBLY



13085 13HP HYDROSTATIC LAWN TRACTOR (S/N 130850100101)
DRIVE & HYDRO ASSEMBLY

Page 5 of 21

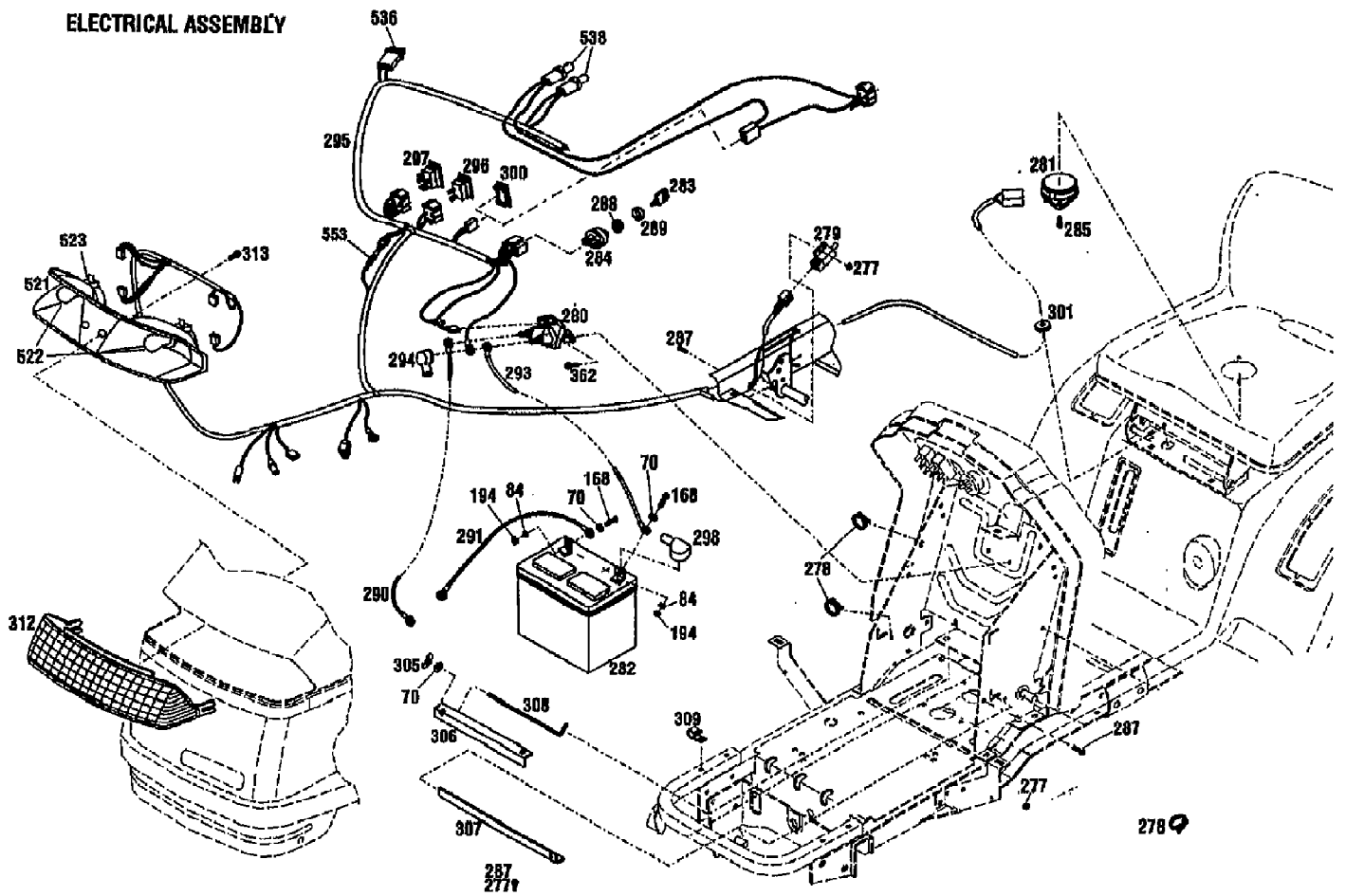
Ref #	Part Number	Qty	S/P/F	Description
1	1765435001	0	S	ASSM-FRAME LTX
8	1100045	0	S	SCR-HH 5/16-18X1.0 G5 ZP
9	1186391	0	S	NUT-HFLK 5/16-18 ZP
10	1100044	0	S	SCR-HHC 5/16-18X.75 GR 5 ZP
13	1733398	0	S	NUT-LOCK 3/8-16
14	1107382	0	/P	WASHER-FLAT 5/16 SAE
33	1766984	0	/P	SCR-HFLK 5/16-18X.75
40	1766241	0	/P	WASHER-SPEC .75X2.50
51	1767984	0		GRIP-HANDLE
54	1767967	0		DECAL-TRANS RELEASE
58	1734398	0	S	NUT-HT LK 1/4-20
81	1100048	0	S	SCR-HH 3/8-16X2.0 G5 ZP
83	1100086	0	S	SCR-HH 3/8-16X1.75 G5 ZP
84	1100241	0	S	WASHER-LK .25 ZP
85	1107383	0	S	WASHER-FLAT 3/8 SAE
86	1100346	0	S	PIN-COTTER .09X.75 ZP
87	1111609	0	S	SCR-HH 5/16-18X2.75 G5 ZP
88	1186097	0	S	SCR-CARR 5/16-18X.62 G2 ZP
90	1715538	0	/P	BUSHING-.5X.5 NYLON FLNG
91	1732499	0	/P	NUT-TOP/LK 5/16-18 ZP
92	1770205	0		PIN-DRIVE .312X.75
95	1756151	0	/P	IDLER
96	1760096	0	/P	GUIDE-BELT
97	1760097	0	/P	PULLEY-IDLER
99	1765044	0		ROD-CLUTCH
100	1765096	0		LATCH-BRAKE CLUTCH USE1771514
101	1765156	0		CLIP-CLAMP .75 ID
102	1765167	0		PAD-FOOT PEDAL
103	1765252	0		PEDAL-BRAKE
104	1765257	0		BRKT-BRAKE LOCK
105	1765297	0		PAD-BRAKE
106	1765305	0		SPRING-COMPRESSION
107	1985140	0		SPRING-EXTENSION
108	1765402	0	/P	SPRING-EXTENSION
109	1765461	0		ROD-PIVOT
110	1766215	0		CAP-HUB
113	1118808	0	/P	RING-RETAIN .625 ID
115	1120210	0		PIN-ROLL .188X1.0
118	1185802	0		BEARING-FLANGE
122	1186393	0	/P	NUT-HFLK 3/8-16 ZP
123	1715301	0	/P	WASHER-1.115X.637X.06
126	1713075	0		SPRING
132	1763219	0	/P	SCR-SHLDR 3/8-16
134	1765064	0	/P	ARM-IDLER
137	1765079	0		SHAFT-HYDRO PIVOT
138	1767807	0	/P	BEARING-BALL
142	1985919	0		GUIDE-BELT
143	1765306	0		SPRING-TORSION
144	1720928	0		SPRING
146	1100255	0	S	WASHER-FLAT 5/16 SAE
147	1766166	0	S	TRANSAXLE-HYDRO
150	1766162	0		ROD-BRAKE
154	1766025	0	/P	RETAINER-CLUTCH (13085,13086)

13085 13HP HYDROSTATIC LAWN TRACTOR (S/N 130850100101)
DRIVE & HYDRO ASSEMBLY

Page 6 of 21

Ref #	Part Number	Qty	S/P/F	Description
155	1766015	0		ARM-RETURN NEUTRAL HYDRO
158	1766085001	0		ASSM-PEDAL HYDRO
160	1766201	0		PULLEY-ENGINE
161	1766202	0	/P	PAD-FOOT PEDAL
163	1186231	0	S	NUT-HEX 3/8-16 ZP
164	1767900	0		GUIDE-BELT
167	1100243	0	S	WASHER-LK .375 @ DEPL
171	1983110	0	/P	KEY-3/16X3/16X1 3/4
174	1111683	0	S	SCR-HHC 1.4-28 X .50
175	1185388	0	S	RING-RET."E".577 ID
176	1747998	0		WASHER-1.87X.765X.06 SPECIAL
178	1766132	0		BRAKE-ARM
179	1766157	0		ARM-CONTROL
180	1766159	0		ARM-HYDRO
182	1766164	0		BRACKET-BRAKE
183	1766165	0		ROD-HYDRO CTRL
186	1767904	0		BRACKET-DUMP VALVE
187	1765061	0		ASSM-BRAKE PEDAL
188	1768866	0		WASHER-FLAT .25 DIA
203	1767966	0		GUIDE-BELT
221	1766172	0		SUPT-TRANSAXLE
222	1765339	0	/P	BELT-V
226	1766153	0		GUIDE-BELT (13085,13086)
263	1185714	0		WASHER-LK .312 PYRAMIDAL
327	1755341	0	S	CLUTCH-ELECTRIC
358	1767907	0	/P	ROD-DUMP VALVE
385	1745489	0		SPACER-1.0X.766X.413
389	1705093	0	S	WASHER-1.0X.64X.029
518	1766275	0		TIRE-20X8.00-10
519	1765607	0	/P	WHEEL-REAR
520	1718086	0	S	STEM-VALVE
550	1724491	0	S	SCR-HFLK 5/16-18X.75
600	1735222	0	/P/F	PAINT-BLACK SPRAY
601	1900706	0	S/F	PAINT-RED SPRAYCAN POWDER

13085 13HP HYDROSTATIC LAWN TRACTOR (S/N 130850100101)
ELECTRICAL ASSEMBLY

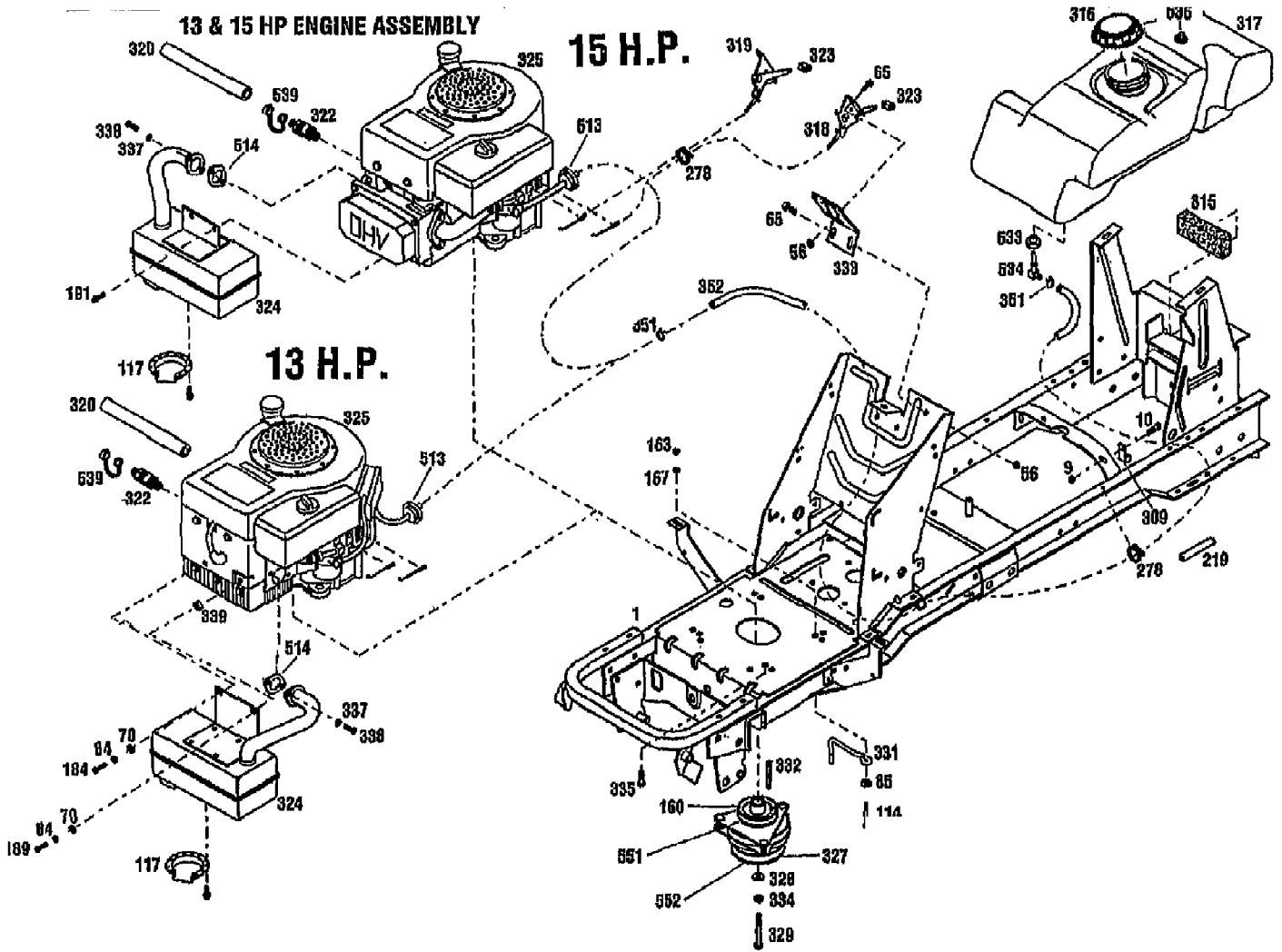


13085 13HP HYDROSTATIC LAWN TRACTOR (S/N 130850100101)
ELECTRICAL ASSEMBLY

Page 8 of 21

Ref #	Part Number	Qty	S/P/F	Description
70	1107381	0	S	WASHER-FLAT 1/4 SAE
84	1100241	0	S	WASHER-LK .25 ZP
168	1100805	0	S	SCR-HH 1/4-20X.75 G5 ZP
194	1186229	0	S	NUT-HEX 1/4-20 ZP
277	1185985	0	S	NUT W/LKWASHER 10-24 ZP
278	1735531	0	S	TIE-CABLE NYLON BLACK
279	1751328	0	S	SWITCH
280	1752137	0	S	SOLENOID
281	1752506	0	/P	SWITCH-SEAT
282	1751497	0	S	BATTERY (13085,13086)
283	1753986	0	/P	KEY-IGNITION
284	1754250	0	S	SWITCH-IGNITION
285	1755349	0		SCR-PHP 1/4-20X.50 ZP
287	1758070	0	S	SCR-HHS 10-24X.625 ZP
288	1758146	0	S	NUT-SWITCH
289	1758147	0	S	CAP-SWITCH
290	1764898	0	S	CABLE-STARTER
291	1764886	0		CABLE-BATTERY (-)
293	1764888	0		CABLE-BATTERY
294	1764890	0		BOOT-SOLENOID
295	1764892	0		HARNES-MAIN {13085}
295	1767842	0		HARNES-MAIN WIRING {13086}
296	1764894	0		SWITCH-LIGHT
297	1764895	0	S	SWITCH-PTO
298	1764899	0		BOOT-TERMINAL
300	1766184	0		COVER-SWITCH
301	1766264	0		GROMMET
305	1709652	0		NUT-WING
306	1765258001	0	S	CLAMP-BATTERY
307	1765444001	0		BRKT-BATTERY LOWER
308	1766163	0	S	SCR-HOOK
309	1747738	0	/P	CLIP-J
312	1765400	0	/P	LENSE-HEADLIGHT
313	1185712	0		SCR
362	1724492	0		SCR 1/4-20X.5 FL SELF TAP
521	1768803	0	S	HEADLGT-REFL (PART OF 1772002)
522	1752872	0	S	LIGHTBULB
523	1752875	0		SOCKET
536	1768969	0	S	FUSE
538	1764897	0	S	LIGHTBULB
553	1764896	0		ASSM-DIODE

13085 13HP HYDROSTATIC LAWN TRACTOR (S/N 130850100101)
ENGINE ASSEMBLY



13085 13HP HYDROSTATIC LAWN TRACTOR (S/N 130850100101)
ENGINE ASSEMBLY

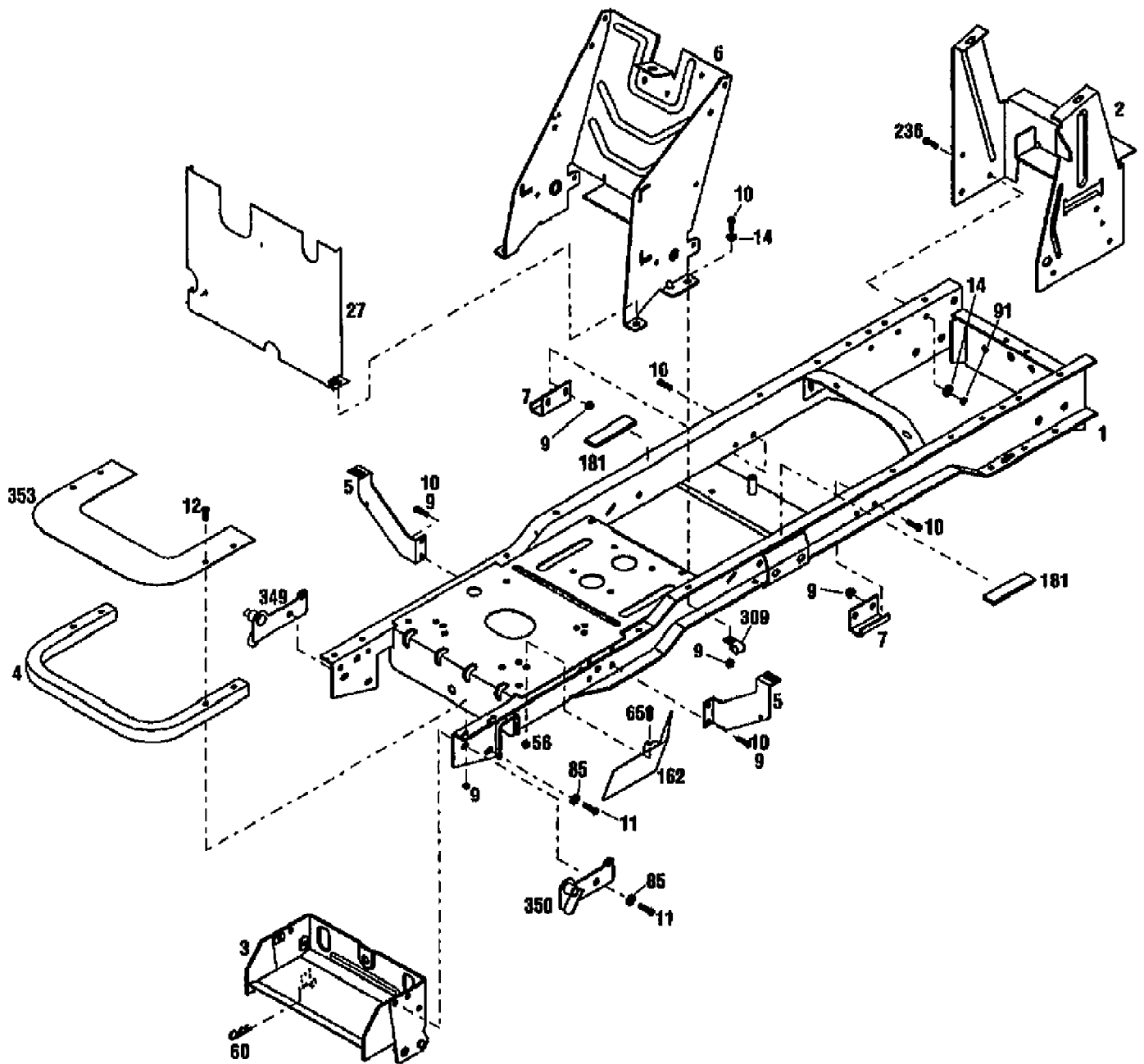
Page 10 of 21

Ref #	Part Number	Qty	S/P/F	Description
1	1765435001	0	S	ASSM-FRAME LTX
9	1186391	0	S	NUT-HFLK 5/16-18 ZP
10	1100044	0	S	SCR-HHC 5/16-18X.75 GR 5 ZP
56	1186389	0	/P	NUT-HF/LK 1/4-20 ZP
65	1186309	0	/P	SCR-HH 1/4-20X.625
70	1107381	0	S	WASHER-FLAT 1/4 SAE
84	1100241	0	S	WASHER-LK .25 ZP
85	1107383	0	S	WASHER-FLAT 3/8 SAE
114	1768194	0	S	SCR-THRD FRM 3/8-16X1.50
117	1758940	0	S	DEFLECTOR-MUFFLER
160	1766201	0		PULLEY-ENGINE
163	1186231	0	S	NUT-HEX 3/8-16 ZP
167	1100243	0	S	WASHER-LK .375 @ DEPL
184	1111600	0	S	SCR-HH 1/4-20 X .875
189	1100806	0	S	SCR-HH 1/4-20X1.25
191	1754128	0	/P	SCR-FLANGE 1/4-20X3/4 GR5 {13086}
219	1752694	0		TRIM
278	1735531	0	S	TIE-CABLE NYLON BLACK
309	1747738	0	/P	CLIP-J
315	1766341	0		PAD-FUEL TANK
316	1766188	0	/P	CAP-FUEL
317	1765404	0		TANK-FUEL
318	1767983	0	S	CONTROL-THROTTLE
319	1767982	0		CONTROL-CHOKE
320	1769006	0	S	HOSE-OIL DRAIN
322	1768865	0	S	ASSM-OIL VALVE
323	1766121	0	/P	KNOB
324	1766297	0		MUFFLER {13085}
324	1766298	0	S	MUFFLER {13086}
325	0	0	F	ENGINES, 13HP B&S 28M707-0615-A1 (13085)
325	0	0	F	ENGINES, 15HP B&S 28M707-0612-A1 (13086)
327	1755341	0	S	CLUTCH-ELECTRIC
328	1744455	0	/P	WASHER-SPEC 1.42X.468X.25 ZP
329	1767165	0	S	SCR-HH 7/16-20X3.00
331	1754787	0	/P	CLUTCH-RETAINER
332	1748146	0		KEY-.25 SQ X 2.5
333	1766119001	0		BRKT-MOUNTING CONTROL
324	1100244	0	S	WASHER-LK .438 ZP
334		1		UNKNOWN
335	1762042	0		SCR-HH 3/8-16X1.0 THDFM
337	1185140	0	S	WASHER-LOCK
338	1747993	0	S	SCR-HXSKT 5/16-18X.75 BO
339	1755340	0		SPACER-.625X.344X.34 {13085}
351	1750687	0	S	CLAMP-HOSE
352	1767879	0		LINE-FUEL
513	1727491	0	S	FILTER-FUEL
514	0	0	F	MUFFLER GASKET
533	1738433	0	S	BUSHING-RUBBER
534	1751477	0	S	ELBOW-90 DEG (FUEL LINE)
535	1768804	0	S	VENT-FUEL TANK

13085 13HP HYDROSTATIC LAWN TRACTOR (S/N 130850100101)
ENGINE ASSEMBLY

Page 11 of 21

Ref #	Part Number	Qty	S/P/F	Description
539	1766326	0		CAP-OIL DRAIN
551	1724194	0		BEARING-UPPER CLUTCH
552	1754156	0	/P	BEARING-CLUTCH LOWER
	1735222	0	/P/F	PAINT-BLACK SPRAY
	1900706	0	S/F	PAINT-RED SPRAYCAN POWDER

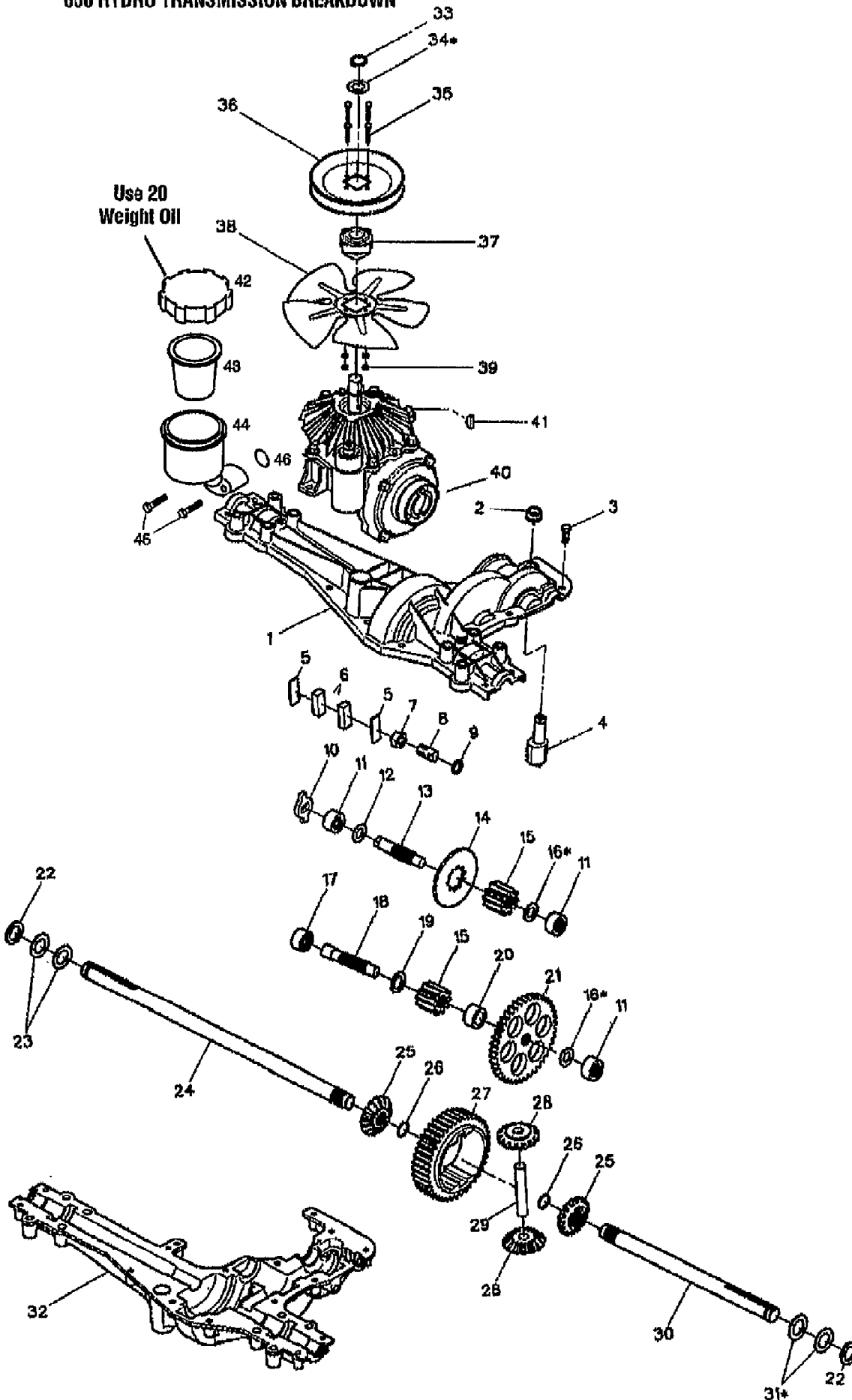


13085 13HP HYDROSTATIC LAWN TRACTOR (S/N 130850100101)
FRAME ASSEMBLY

Page 13 of 21

Ref #	Part Number	Qty	S/P/F	Description
1	1765435001	0	S	ASSM-FRAME LTX
2	1766050001	0		SUPPORT-REAR TANK
3	1766082001	0		ASSM-BRKT ATTACHMENT
4	1766336001	0		BUMPER-FRONT
5	1765431001	0		SUPPORT-FENDER
6	1765446001	0		SUPPORT-CONSOLE
7		1		UNKNOWN
9	1186391	0	S	NUT-HFLK 5/16-18 ZP
10	1100044	0	S	SCR-HHC 5/16-18X.75 GR 5 ZP
11	1100046	0	S	SCR-HH 3/8-16X1.0 G5 ZP
12	1100779	0	S	SCR-HH 5/16-18X1.75
14	1107382	0	/P	WASHER-FLAT 5/16 SAE
27	1768826001	0		SHIELD-HEAT
56	1186389	0	/P	NUT-HF/LK 1/4-20 ZP
60	1723478	0	/P	PIN-HITCH .125X2.56 ZP
65	1186309	0	/P	SCR-HH 1/4-20X.625
85	1107383	0	S	WASHER-FLAT 3/8 SAE
91	1732499	0	/P	NUT-TOP/LK 5/16-18 ZP
162	1767874001	0		SHIELD-HEAT UPPER
181	1767883	0		PAD
236	1186329	0	S	SCR-HFLK 5/16-18X.75 ZP
309	1747738	0	/P	CLIP-J
349	1767867001	0		PLATE-PIVOT RH
350	1767868001	0		PLATE-PIVOT LH
353	1767963	0		SHIELD-HEAT (13086)
?600	1735222	0	/P/F	PAINT-BLACK SPRAY
?601	1900706	0	S/F	PAINT-RED SPRAYCAN POWDER

650 HYDRO TRANSMISSION BREAKDOWN

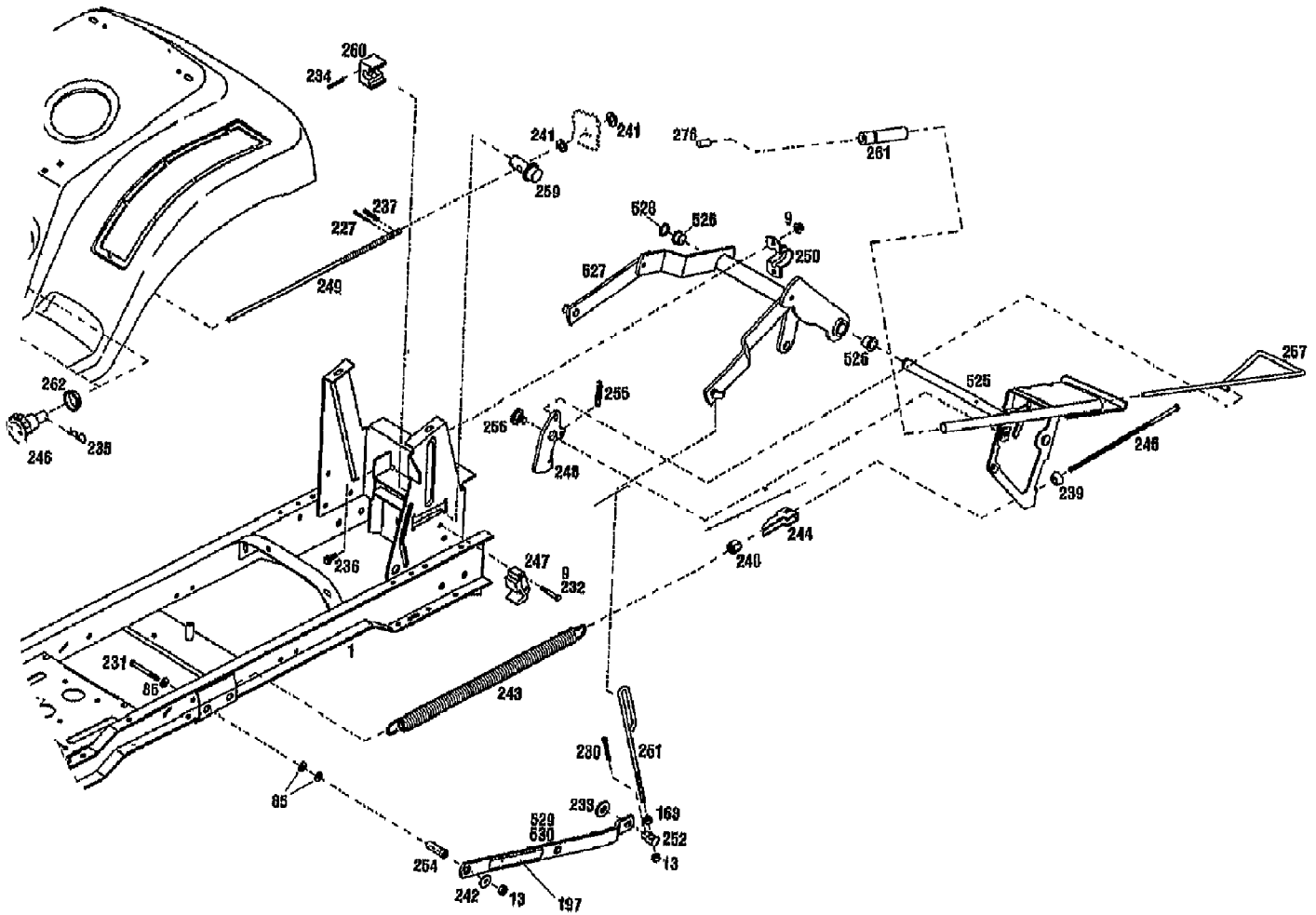


13085 13HP HYDROSTATIC LAWN TRACTOR (S/N 130850100101)
HYDROSTATIC (650) TRANSMISSION BREAKDOWN

Page 15 of 21

Ref #	Part Number	Qty	S/P/F	Description
1	1769260	0		HOUSING-UPPER
2	1769261	0		RING-V
3	1769262	0		SCR-SELF TAP 1/4-20X.734
4	1769263	0		ASSM-SHAFT & CAM
5	1769264	0		SPACER
6	1769265	0	/P	BLOCK FRICTION
7	1769266	0		NUT-HEX/JAM
8	1769267	0		ADJUSTMENT-STUD
9	1769268	0		RING-O
10	1769269	0		KEY-DRIVE
11	1769270	0		ASSM-BEARING
12	1769271	0		WASHER-.505 X .942 X .040
13	1769272	0		SHAFT-INPUT
14	1769273	0		BRAKE-DISC
15	1769274	0		SPUR-GEAR 10T
16	1769275	0		KIT-SHIM (.500 SHAFT)
17	1769276	0		ASSM-BEARING
18	1769277	0		SHAFT-IDLER
19	1769278	0		WASHER-.632 X 1.0 X .041
20	1769279	0		SPACER .630 X 1.00 X .549
21	1769280	0		SPUR-GEAR 41T
22	1769281	0	/P	WASHER-NEOPRENE
23	1769282	0		WASHER-.758X1.25X.031
24	1769283	0		AXLE-TRANSMISSION LH
25	1769284	0		MITER-GEAR 15T
26	1769285	0	/P	RING-RETAINING
27	1769286	0		SPUR-GEAR 41T
28	1769287	0		MITER-GEAR 15T
29	1769288	0		SHAFT-CROSS
30	1769289	0		AXLE-TRANSMISSION RH
31	1769290	0	/P/F	KIT-SHIM (.750 SHAFT)
32	1769291	0		HSG-TRANSMISSION LOWER
33	1769292	0		RING-RETAINING
34	1769293	0	/P/F	KIT-SHIM (.670 SHAFT)
35	1769294	0	/P	SCR-HHC #6-32X.88
36	1769295	0		PULLEY-4.50" DIA
37	1769296	0	/P	HUB-PULLEY
38	1769297	0	S	KIT-FAN
39	1769298	0	/P	NUT-H/LK #6-32
40	1769299	0	S	ASSM-HYDROSTATIC
41	1769300	0	/P	KEY-WOODRUFF
42	1770921	0		CAP
43	1770922	0	/P	DIAPHRAGM
44	1770924	0	/P	RESERVOIR
45	1186312	0		SCR-HFLK 1/4-20X1.00
46	1770923	0		RING-O

LIFT ASSEMBLY



13085 13HP HYDROSTATIC LAWN TRACTOR (S/N 130850100101)
LIFT ASSEMBLY

Page 17 of 21

Ref #	Part Number	Qty	S/P/F	Description
1	1765435001	0	S	ASSM-FRAME LTX
9	1186391	0	S	NUT-HFLK 5/16-18 ZP
13	1733398	0	S	NUT-LOCK 3/8-16
85	1107383	0	S	WASHER-FLAT 3/8 SAE
163	1186231	0	S	NUT-HEX 3/8-16 ZP
197	1767877	0		DECAL-WARNING
227	1100349	0	S	PIN-COTTER .125 X .75 ZP
230	1100351	0		PIN-COTTER .120X1.25 ZP
231	1111614	0	S	SCR-HH 3/8-16X3.0 G5 ZP
232	1100799	0	S	SCR-HH 5/16-18X1.5 G5 ZP
233	1107386	0	S	WASHER-1.305X.649X.098 ZP
234	1185376	0	/P	PIN-DRIVE
235	1817091	0		PIN-HITCH
236	1186329	0	S	SCR-HFLK 5/16-18X.75 ZP
237	1187961	0	/P	PIN-ROLL .156X1.0
239	1714521	0		BEARING-SPHERICAL
240	1717942	0		NUT-SPECIAL 5/16-18
241	1738490	0	/P	SPACER
242	1763355	0	S	WASHER-1.5X.375X.18 ZP
243	1765445	0		SPRING-LIFT ASSIST
244	1765457	0		BRKT-LIFT ASSIST
245	1765458	0		SCR-LIFT ASSIST
246	1765485	0	/P	KNOB-HEIGHT ADJUST
247	1766028	0		BLOCK-DETENT
248	1766029001	0		LATCH
249	1766048	0		KIT-SVC SCR HGT ADJ
250	1766057	0		CLAMP-LIFT
251	1766058	0		ROD-LIFT
252	1766059	0	/P	SWIVEL-LIFT REAR
254	1766080	0		SPACER
255	1766174	0		SPRING-EXTENSION
256	1766175	0		SCR-SHOULDER
257	1766178	0		ROD
259	1766257	0		BLOCK-HEIGHT ADJUST
260	1766259	0		COLLAR-HEIGHT ADJUST
261	1766340	0		GRIP-LIFT
262	1766346	0		GROMMET-SNAP BUSHING
276	1767880	0	S	BUTTON-LIFT
525	1766032001	0		HANDLE-LIFT
526	1764140	0	/P	BUSHING
527	1766068001	0		LIFT
528	1185649	0	/P	RING-RETAINING EXT .694 ID
529	1768718	0		LINK-LIFT W/DECAL
530	1768717	0	/P	LINK-LIFT W/DECAL
?600	1735222	0	/P/F	PAINT-BLACK SPRAY
?601	1900706	0	S/F	PAINT-RED SPRAYCAN POWDER

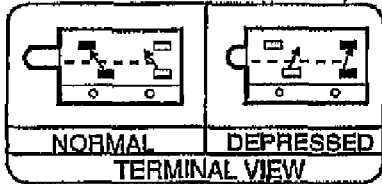
13085 13HP HYDROSTATIC LAWN TRACTOR (S/N 130850100101)
STEERING ASSEMBLY

Page 19 of 21

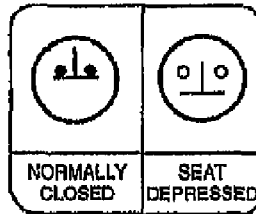
Ref #	Part Number	Qty	S/P/F	Description
1	1765435001	0	S	ASSM-FRAME LTX
9	1186391	0	S	NUT-HFLK 5/16-18 ZP
15	1766027	0	/P	WHEEL-STEERING
16	1765443	0		SUPPORT-STEERING SHAFT
17	1765010	0	/P	SHAFT-STEERING
18	1765243	0		GEAR-PINION
20	1768771	0	S	ASSM-STEERING GEAR
22	1766221	0		CAP-STEERING
23	1185284	0	S	PIN-ROLL .25X2.25
24	1185348	0	S	PIN-ROLL 1/4 X 1-1/4
28	1705092	0	S	WASHER-1.0X.64X.09
29	1177567	0	S	RING-RETAINING
30	1768796	0	S	NUT-HEX/JAM 1/2-20
31	1758231	0	S/F	NUT-H/LK 5/8-11
32	1767953	0		SCR-HH
33	1766984	0	/P	SCR-HFLK 5/16-18X.75
34	1765315	0		LINK-DRAG
35	1186247	0	S	NUT-JAM
36	1716180	0		JOINT-BALL
40	1766241	0	/P	WASHER-SPEC .75X2.50
41	1185830	0	S	WASHER-1.38 X.765X .06 ZP
110	1766215	0		CAP-HUB
175	1185388	0	S	RING-RET."E".577 ID
236	1186329	0	S	SCR-HFLK 5/16-18X.75 ZP
366	1100266	0	S	WASHER-1.75X.687X.134 ZP
387	1731504	0	S	FITTING-GREASE 90 DEGREE
501	1765263001	0		ASSM-SPINDLE LH
502	1110150	0	S	NUT-LOCK
503	1764140	0	/P	BUSHING
504	1701447	0	/P	WASHER-1.25X.765X.049
505	1185689	0		RING-HEAVY EXT HD 1.0 ID
506	1765009001	0	S	KIT-TIE ROD W/HDW
507	1765169001	0		AXLE-FRONT
508	1765004001	0		ASSM-SPINDLE WHEEL RH
509	1762254	0	S	TIRE 15X6.00-6RS
510	1767276	0	/P	DISC WHEEL
511	1718086	0	S	STEM-VALVE
512	1767273	0	S	BEARINGS-WHEEL
532	1185976	0	S	FITTING-GREASE 1/4-28X2.00
550	1747303	0		BEARING
?600	1735222	0	/P/F	PAINT-BLACK SPRAY
?601	1900706	0	S/F	PAINT-RED SPRAYCAN POWDER

WIRING DIAGRAM

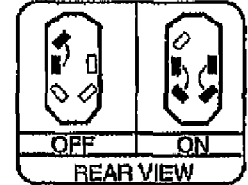
**BRAKE SWITCH
4-TERMINAL**



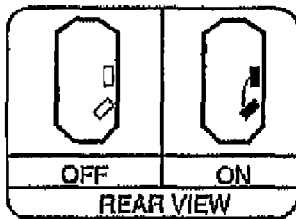
SEAT SWITCH



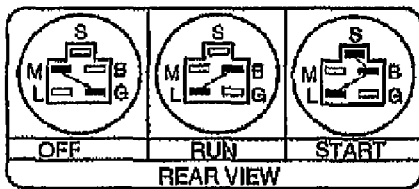
ATTACHMENT DRIVE SWITCH



LIGHT SWITCH



IGNITION SWITCH

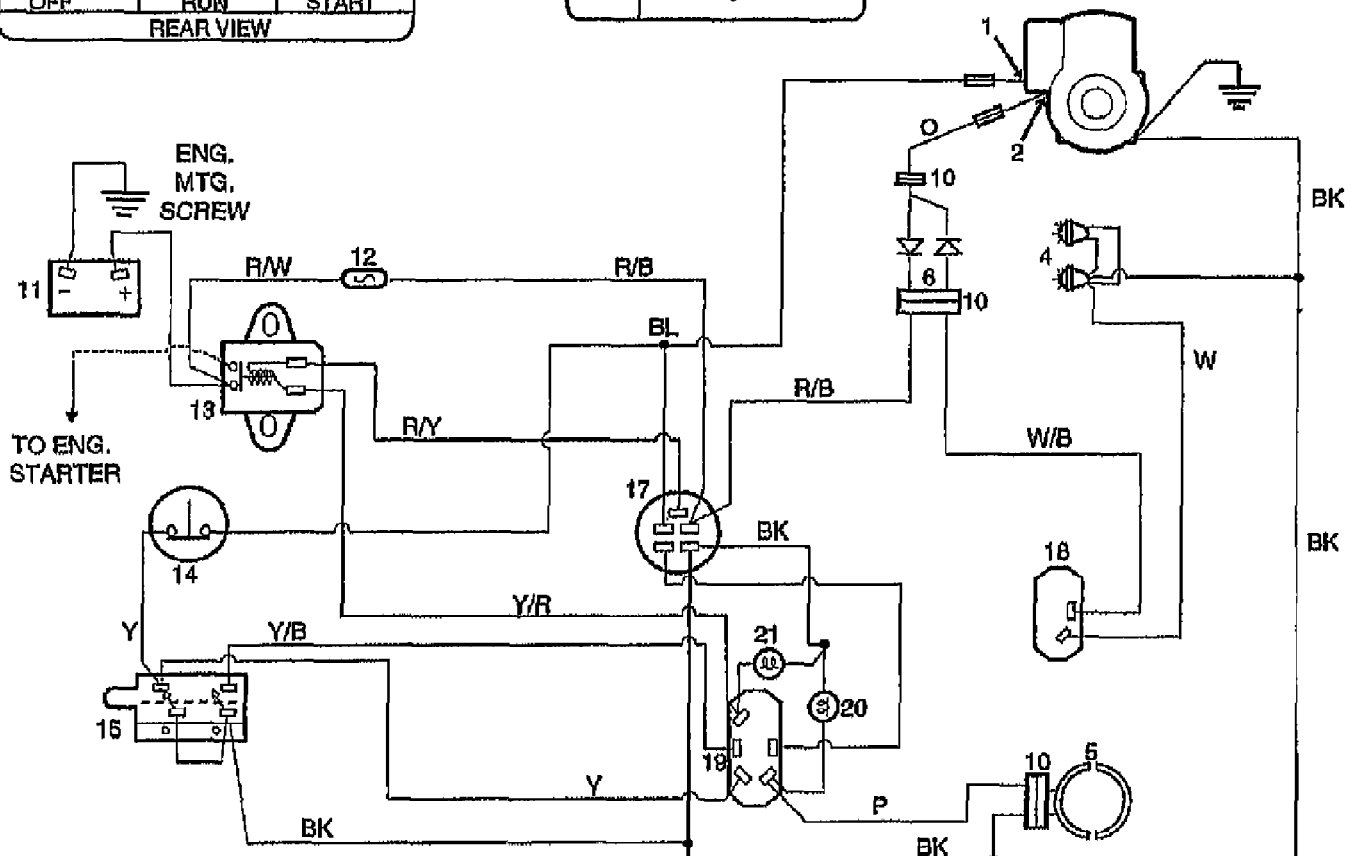


ITEM CODE

1	Magneto
2	Alternator
4	Headlights
6	Attachment Clutch
6	Diode Assembly
10	Connector
11	Battery
12	Fuse
13	Start Solenoid
14	Seat Switch
16	Brake Switch
17	Key Switch
18	Light Switch
19	Attachment Switch
20	Attachment Light
21	Start Light

WIRE COLOR CODE

BK	Black
BL	Blue
P	Purple
R	Red
W	White
Y	Yellow
R/W	Red/White
R/B	Red/Black
R/Y	Red/Yellow
Y/R	Yellow/Red
W/B	White/Black



Ref #	Part Number	Qty	S/P/F	Description
1		1		UNKNOWN
2		1		UNKNOWN
4		1		UNKNOWN
5		1		UNKNOWN
6		1		UNKNOWN
10		1		UNKNOWN
11		1		UNKNOWN
12		1		UNKNOWN
13		1		UNKNOWN
14		1		UNKNOWN
15		1		UNKNOWN
17		1		UNKNOWN
18		1		UNKNOWN
19		1		UNKNOWN
20		1		UNKNOWN
21		1		UNKNOWN
	0	0		ILLUSTRATION ONLY.