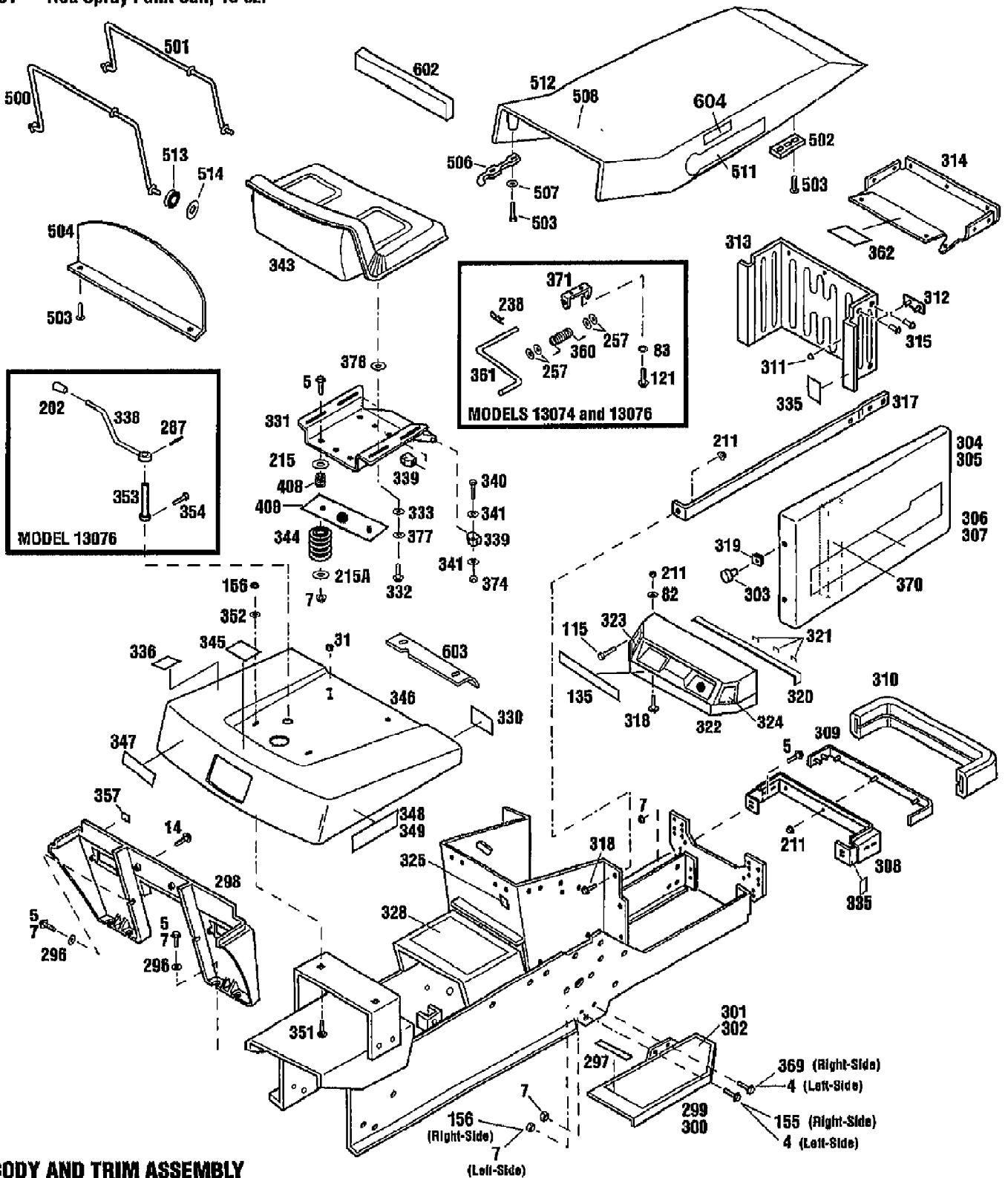


13074 18HP HYDRO GARDEN TRACTOR (S/N 130740100101)  
 BODYWORK & TRIM ASSEMBLY

- 600 Black Spray Paint Can, 13 oz.
- 601 Red Spray Paint Can, 13 oz.



**BODY AND TRIM ASSEMBLY**

13074 18HP HYDRO GARDEN TRACTOR (S/N 130740100101)  
BODYWORK & TRIM ASSEMBLY

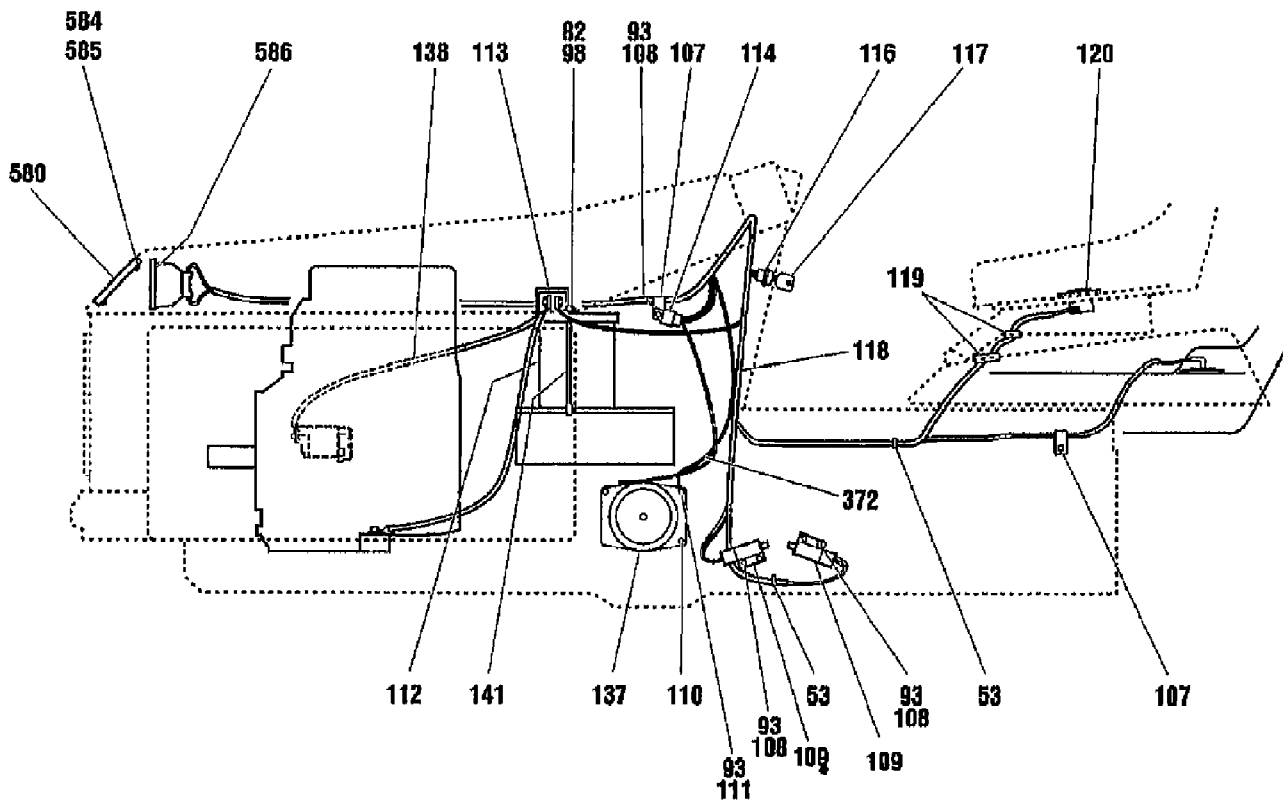
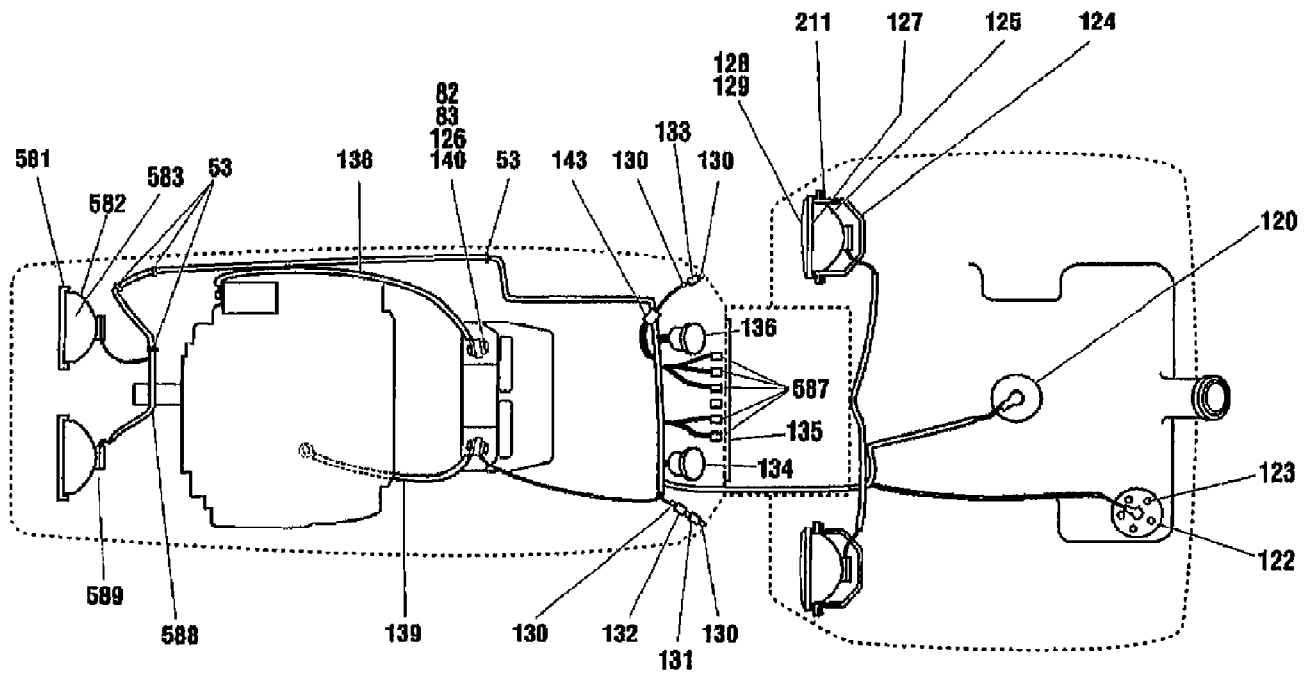
Page 2 of 27

Ref #	Part Number	Qty	S/P/F	Description
4	1186345	0	/P	SCR
5	1186347	0	S	SCR-HFLK 3/8-16X1.00 ZP
7	1186393	0	/P	NUT-HFLK 3/8-16 ZP
14	1186329	0	S	SCR-HFLK 5/16-18X.75 ZP
31	1766264	0		GROMMET
82	1107381	0	S	WASHER-FLAT 1/4 SAE
83	1100241	0	S/F	WASHER-LK .25 ZP
115	1186020	0		SCR-PHP M6-32X.38 ZP
121	1100804	0	S/F	SCR-HH 1/4-20X.5 GR5 YEL
135	1757357	0	F	LENSE
155	1185872	0		SCR-TRUSS HD 5/16-18X.62
156	1186391	0	S	NUT-HFLK 5/16-18 ZP
202	1755473	0	S/F	KNOB-SHIFT LEVER
211	1186389	0	/P	NUT-HF/LK 1/4-20 ZP
215	1701055	0	/P	WASHER-FLAT 1.25X.406X.179
215A		1		UNKNOWN
238	1100346	0	S/F	PIN-COTTER .09X.75 ZP
257	1107382	0	/P/F	WASHER-FLAT 5/16 SAE
287	1120210	0	F	PIN-ROLL .188X1.0
296	1100256	0	S	WASHER-.986X.437X.083 ZP
297	1755522	0		CUSHION
298	1757358	0	F	SUPT-RUNNING BOARD
299	1752250010	0		FOOTREST-LH
300	1752251010	0		FOOTREST-RH
301	1752893	0		PAD-FOOTREST LH
302	1752894	0		PAD-FOOTREST RH
303	1770239	0		KNOB
304	1769101010	0		COVER-LH
305	1769102010	0		COVER-RH
306	1767261	0		DECAL-SIDE COVER LH
307	1767262	0		DECAL-SIDE COVER RH
308	1752181010	0		ASSM-GRILLE SUPT
309	1755517	0		ASSM-BUMPER STRAP
310	1755518	0		BUMPER-EXTRUSION
311	1754126	0		NUT-PUSH
312	1770881	0		PLATE-LOGO
313	1755515001	0		GRILLE-TRACTOR
314	1772697	0		CAP-GRILL
315	1739918	0		RIVET-POP
317	1753783010	0		SUPPORT
318	1186309	0	/P	SCR-HH 1/4-20X.625
319	1185986	0	S	NUT-SPEED #10
320	1755516	0		PAD-HOOD
321	0	0	F	WIRE STAPLE
322	1772696	0	F	PANEL-INSTRUMENTS
323	1761578	0	F	DECAL-CHOKE
324	1755931	0		DECAL-THROTTLE
325	1756775	0		DECAL-IGNITION
328	1767130	0		DECAL-OPERATING INST
330	1901900	0	/P	DECAL-AMERICAN LEGEND-LRG
331	1769512001	0	S	ASSM-SEAT SUPPORT
332	1754125	0	/P	SCR-SHLDR 3/8-16X.25 G5ZP
333	1752069	0	S	WASHER-1.375X.523X.059

13074 18HP HYDRO GARDEN TRACTOR (S/N 130740100101)  
BODYWORK & TRIM ASSEMBLY

Page 3 of 27

Ref #	Part Number	Qty	S/P/F	Description
335	1756549	0	/P/F	PAD-BATTERY
336	1767131	0	F	DECAL-TWO SPEED
338	1756510	0	F	LEVER-SHIFT
339	1753911	0		BLOCK-PIVOT
340	1100799	0	S	SCR-HH 5/16-18X1.5 G5 ZP
341	1723384	0	S	WASHER-1.5X.343X.104
343	1769514	0		SEAT (TRACTOR)
344	1755449	0	/P	SPRING-COMPRESSION
345	1757366	0		DECAL-FUEL
346	1769535010	0		FENDER-REAR
347	1759102	0		DECAL-LOGO FENDER
348	1767259	0	F	DECAL-FENDER LH
348	1767263	0	F	DECAL-FENDER LH
349	1767260	0	F	DECAL-FENDER RH
349	1767264	0	F	DECAL-FENDER RH
351	1736098	0	S	BOLT-CARR 5/16-18X.63 ZP
352	1713233	0	S	WASHER-1.25X.343X.059
353	1756204	0	F	SHAFT-SHIFT LEVER
354	1738845	0	/P/F	SCR-SQHD 1/4-20X1/2 GR5
357	1761008	0		BUTTON-RUBBER
360	1769516	0		SPRING-TORSION
361	1769515	0		BRACKET-SEAT ADJ
362	1769991	0	/P	DECAL-HOT SURFACE
369	1100068	0	S	SCR-HH 3/8-16X.75 G5 ZP
370	1753950	0		BLOCK-SEALING
371	1770299	0		BRKT-SEAT ADJUST
374	1732499	0	/P	NUT-TOP/LK 5/16-18 ZP
377	1706782	0	/P	WASHER-BOW .74X.52X.01
378	1893445	0	S	WASHER-FLAT
?407	1772578	0	F	SCR SHLDR
408	1748415	0	F	SPRING-COMPRESSION
409	1772573001	0	F	CHANNEL-SEAT SWITCH
500	1752900	0		LINK-HINGE
501	1752901	0		LINK-HINGE
502	1752902	0		RETAINER-HINGE LINK
503	1185130	0	/P	SCR-SEMS MACH
504	1752903001	0		BAFFLE-HOOD
506	1727127	0		LATCH-RUBBER
507	1736359	0	/P	WASHER-.88X.2X.059
508	1767110	0		DECAL-SERVICE INST
511	1759100	0		DECAL-LOGO
512	1767105	0		ASSM-HOOD
513	1753792	0		GROMMET
514	1753799	0	/P	RETAINER
600	1735222	0	/P	PAINT-BLACK SPRAY
601	1900706	0	S	PAINT-RED SPRAYCAN POWDER
602	1744065	0		BLOCK-SEALING
603	1772706	0		BRKT-DOUBLER (USED ON LATER PROD UNITS ONLY)
604	1773077	0		DECAL-LOGO



13074 18HP HYDRO GARDEN TRACTOR (S/N 130740100101)  
ELECTRICAL ASSEMBLY

Page 5 of 27

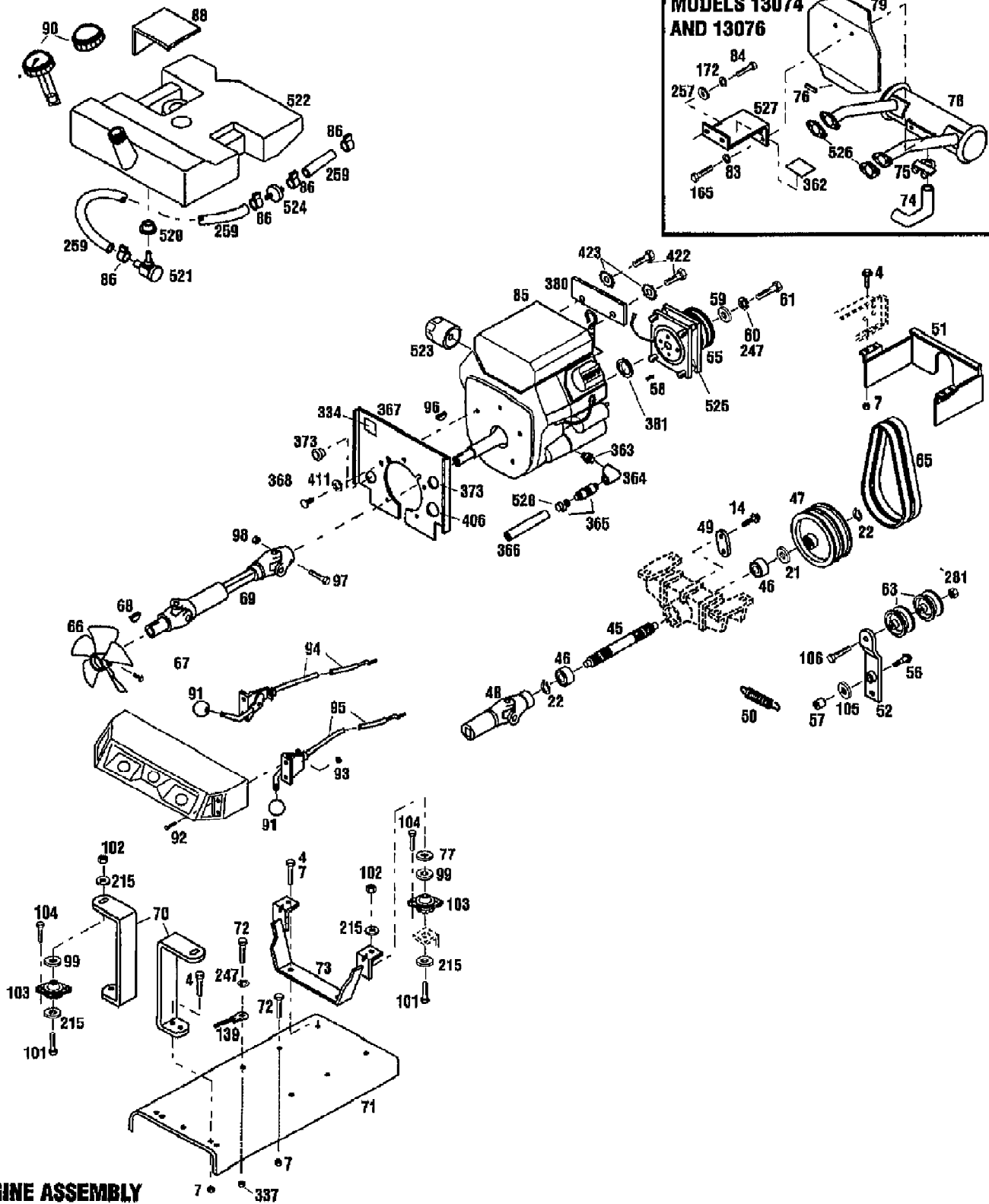
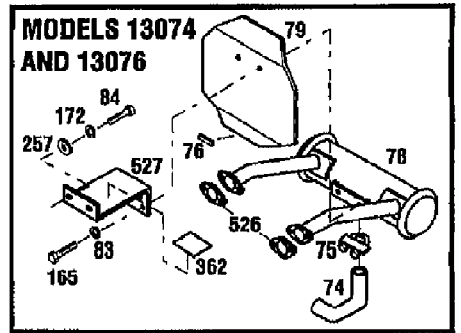
Ref #	Part Number	Qty	S/P/F	Description
53	1766531	0		CABLE TIE
82	1107381	0	S	WASHER-FLAT 1/4 SAE
83	1100241	0	S	WASHER-LK .25 ZP
93	1185985	0	S	NUT W/LKWASHER 10-24 ZP
98	1734398	0	S	NUT-HT LK 1/4-20
107	1747738	0	/P	CLIP-J
108	1115815	0	S	SCR-TRUSS #10-24 X 5/8
109	1751328	0	S	SWITCH
110	1738463	0		SCR
111	1185130	0	/P	SCR-SEMS MACH
112	1772131	0		BATTERY
113	1755802	0	/P	BATTERY-HOLDDOWN
114	1749907	0	/P	RELAY-SPEED CONTROL
116	1754207	0	S	SWITCH-IGNITION
117	1753986	0	/P	KEY-IGNITION
118	1769919	0	S	HARNESS-MAIN
119	1755487	0	F	GROMMET {13074,13076}
119	1766264	0	F	GROMMET {13074,13076}
120	1768882	0	/P/F	SWITCH-SEAT {13074,13076}
120	1761083	0	/P/F	SWITCH {13074/076}
122	1765953	0		SENDER-FUEL
123	1745778	0		SCR
124	1754259	0		SHIELD-STONE
125	1752871	0	/P	ASSM-LIGHT
126	1186229	0	S	NUT-HEX 1/4-20 ZP
127	1754191	0		GASKET
128	1754241	0		LENSE-LH
129	1754242	0		LENSE-RH
130	1750963	0		SCR-FHP #6-32X.50 ZP
131	1754607	0	S	SWITCH-SPEED CONTROL
132	1754189	0	F	SWITCH-LIGHT {13074/076}
132	1754856	0	F	SWITCH-LIGHT {13074/076}
133	1754608	0	/P	SWITCH-PTO
134	1757364	0	S	METER-HOUR
135	1757357	0		LENSE
136	1755647	0	S	GAUGE-FUEL
137	1738462	0	/P	CLUTCH
138	1769917	0		CABLE-BATTERY POSITIVE
139	1769918	0		CABLE-BATTERY NEGATIVE
140	1100805	0	S	SCR-HH 1/4-20X.75 G5 ZP
141	1752586	0		BOLT-HOOK
143	1752132	0	/P	SENSOR-VOLTAGE
211	1186389	0	/P	NUT-HF/LK 1/4-20 ZP
372	1756032	0		ASSM-LEAD
580	1767104	0	/P	LENSE
581	1753788	0		RETAINER
582	1752871	0	/P	ASSM-LIGHT
583	1752872	0	S	LIGHTBULB
584	1731453	0		SCR-EXHAUST DEFLECTOR
585	1805365	0		WASHER-.44X.189X.05
586	1754194	0		GASKET
587	1735285	0	/P	BULB (MFG NO. GE 73)
588	1752505	0		HARNESS-HEADLIGHT

13074 18HP HYDRO GARDEN TRACTOR (S/N 130740100101)  
ELECTRICAL ASSEMBLY

Page 6 of 27

Ref #	Part Number	Qty	S/P/F	Description
589	1752875	0		SOCKET

13074 18HP HYDRO GARDEN TRACTOR (S/N 130740100101)  
ENGINE ASSEMBLY



**ENGINE ASSEMBLY**

13074 18HP HYDRO GARDEN TRACTOR (S/N 130740100101)  
ENGINE ASSEMBLY

Page 8 of 27

Ref #	Part Number	Qty	S/P/F	Description
4	1186345	0	/P	SCR
7	1186393	0	/P	NUT-HFLK 3/8-16 ZP
14	1186329	0	S	SCR-HFLK 5/16-18X.75 ZP
21	1703073	0	/P	WASHER-THRUST
22	1185689	0		RING-HEAVY EXT HD 1.0 ID
45	1755219	0	/P	SHAFT-PTO
46	1725087	0	/P	BEARING-BALL
47	1744379	0		SHEAVE-PTO
48	1760049001	0		JOINT-UNIVERSAL
49	1744451001	0		ANCHOR-SPRING
50	1746769	0	/P	SPRING
51	1756157001	0	/P	GUARD-PTO
52	1769906	0		ARM-IDLER
55	1744401	0		PTO CLUTCH
56	1754322	0	/P/F	BOLT
56	1744401	0	F	HEX SCREW
57	1892945	0	/P/F	BUSHING
57	1773629	0	F	BALL BEARING
58	1708034	0		KEY
59	1741801	0		WASHER-1.7X.453X.25
60	1100244	0	S	WASHER-LK .438 ZP
61	1736485	0	S	SCR-HH 7/16-20X1.25 G5ZP
63	1756757	0		PULLEY-IDLER
65	1767379	0		BELT-V (SET OF 2)
66	1770934	0	/P	FAN
67	1770937	0		BOLT-SQUARE HD SET
68	1104436	0	S	KEY-WOODRUFF .188X.75
69	1770213	0		SHAFT-DRIVE
70	1767291001	0		SUPPORT-REAR BAR
71	1767287001	0		PLATE-ENGINE MOUNTING
72	1186349	0	/P	SCR-HFLK 3/8-16X1.50
73	1767288001	0		SUPPORT-FRONT ASSM
74	1771216	0		PIPE-EXHAUST
75	1771221	0		CLAMP-MUFFLER
76	1752694	0		TRIM
77	1763355	0	S	WASHER-1.5X.375X.18 ZP
78	1767382	0	/P	MUFFLER
79	1767447001	0		SHIELD-HEAT
83	1100241	0	S	WASHER-LK .25 ZP
84	1860216	0	S	BOLT M8X20
85	0	0	F	ENGINE, KOHLER 18 HP PS-551084
85	0	0	F	ENGINE, KOHLER 18 HP PS-62542
85	0	0	F	ENGINE, KOHLER 20 HP PS-251776
85	0	0	F	ENGINE, KOHLER 20 HP PS-64549
86	1750687	0	S	CLAMP-HOSE
88	1749079	0		PAD-FUEL TANK
90	1755726	0		CAP-FUEL
91	1755412	0	S	KNOB
92	1750962	0		SCR
93	1185985	0	S	NUT W/LKWASHER 10-24 ZP
94	1761404	0	/P	CONTROL-CHOKE
95	1761403	0		CONTROL-THROTTLE
96	1100276	0	/P	KEY-WOODRUFF .25X.875

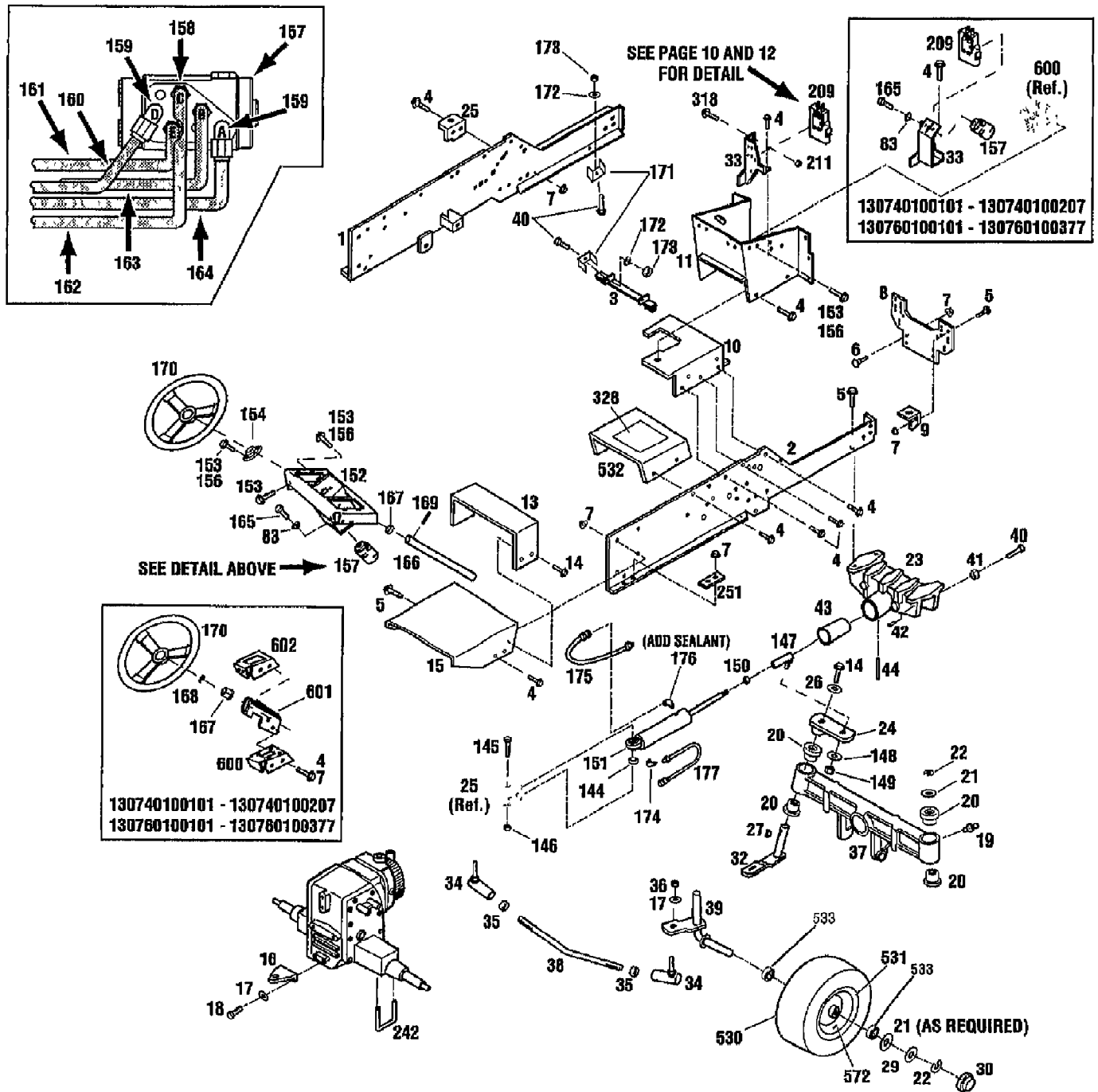


13074 18HP HYDRO GARDEN TRACTOR (S/N 130740100101)  
ENGINE ASSEMBLY

Page 9 of 27

Ref #	Part Number	Qty	S/P/F	Description
97	1100807	0		SCR-HH 1/4-20X2.0 G5 ZP
98	1734398	0	S	NUT-HT LK 1/4-20
99	1186047	0		WASHER
101	1100049	0	S	SCR-HH 3/8-16X2.25 G5 ZP
102	1733398	0	S	NUT-LOCK 3/8-16
103	1724896	0		MOUNT-FRONT
104	1185712	0		SCR
105	1715301	0	/P	WASHER-1.115X.637X.06
106	1100049	0	S	SCR-HH 3/8-16X2.25 G5 ZP
139	1769918	0		CABLE-BATTERY NEGATIVE
165	1860203	0		SCR-HH M6-1.0X19MM
215	1701055	0	/P	WASHER-FLAT 1.25X.406X.179
172	1100242	0	S	WASHER-LK .312 ZP
247	1100243	0	S	WASHER-LK .375 @ DEPL
257	1107382	0	/P	WASHER-FLAT 5/16 SAE
259	1770678	0		FUEL LINE
281	1110818	0	S	SCR-HXSKT 5/16-18X.75 BO
334	1754143	0		DECAL-WARNING
337	1186231	0	S	NUT-HEX 3/8-16 ZP
362	1769991	0	/P	DECAL-HOT SURFACE
363	1770418	0		FITTING-3/8 NPT HEX NIPPLE
364	1105164	0		ELBOW-3/8 NPT 90 DEGREES
365	1768865	0	S	ASSM-OIL VALVE
366	1771301	0	/P	HOSE-DRAIN
367	1772693	0		SHIELD-HEAT W/DECAL
368	1770818	0	S	CLIP
373	1766346	0		GROMMET-SNAP BUSHING
380	1772077001	0		CLUTCH-STOP
381	1772078	0		SPACER-CRANKSHAFT
?382	1772173001	0		SUPT-EXHAUST PIPE
?383	1772694	0		SHIELD-GRASS RT W/DECAL
?384	1772195001	0		SHIELD-GRASS LEFT
?391	1772160001	0		SHIELD-HEAT
?399	1772196	0		SEALING STRIP
406	1729587	0		BUSHING
411	1187612	0	S	WASHER-LK INTERNAL TOOTH 1/4
?419	1186334	0		SCR-HFLK 5/16-18X1.75 ZP G5
?420	1177042	0		WASHER-STAR
?421	1772519	0		SHIELD-HEAT
422		1		UNKNOWN
423	1103995	0		EXTERIOR TOOTH LOCK WASHER
?424	1103959	0	/P	WASHER-.505X.22X.05
520	1738433	0	S	BUSHING-RUBBER
521	1747184	0	S	VALVE-SHUT OFF
522	1755888	0		ASSM-FUEL TANK
523	0	0		OIL FILTER
524	1727491	0	S	FILTER-FUEL
525	1754151	0		COIL-CLUTCH FIELD
526	0	0		MUFFLER GASKET
527	1772692	0		BRACKET-MUFFLER
528	1766326	0		CAP-OIL DRAIN

13074 18HP HYDRO GARDEN TRACTOR (S/N 130740100101)  
FRAME & STEERING



13074 18HP HYDRO GARDEN TRACTOR (S/N 130740100101)  
FRAME & STEERING

Page 11 of 27

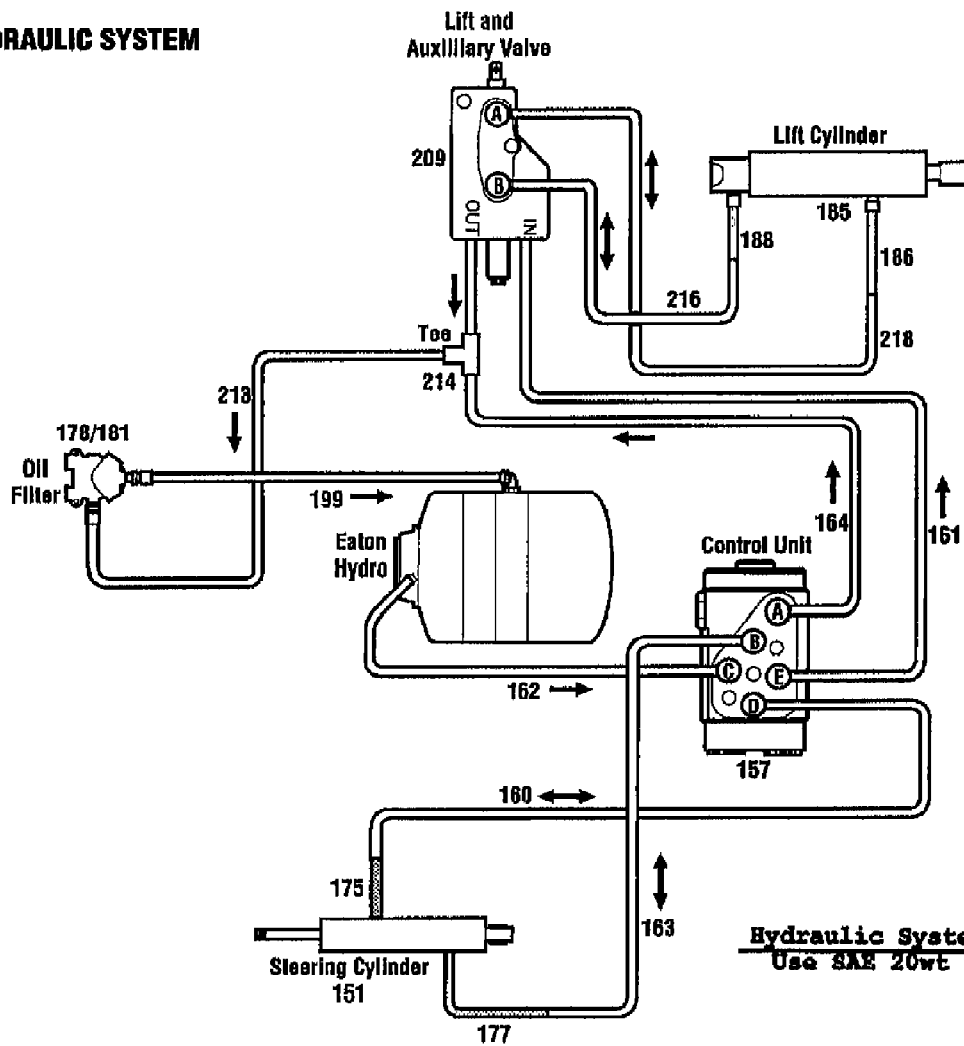
Ref #	Part Number	Qty	S/P/F	Description
1	1755513010	0		ASSM-FRAME
2	1752634010	0		ASSM-FRAME
3	1767392	0		ASSM-FRAME SUPPORT
4	1186345	0	/P	SCR
5	1186347	0	S	SCR-HFLK 3/8-16X1.00 ZP
6	1739656	0		SCR-CARR 3/8-16X.75 G5 ZP
7	1186393	0	/P	NUT-HFLK 3/8-16 ZP
8	1752665001	0		PLATE-FRONT
9	1752746001	0		SUPPORT-ENGINE
10	1767278001	0	F	SUPT-BATTERY ASSM
11	1755514010	0		SUPPORT
13	1756513001	0		SUPPORT-FENDER
14	1186329	0	S	SCR-HFLK 5/16-18X.75 ZP
15	1756512001	0		SUPPORT-FUEL TANK
16	1724698001	0	/P	HITCH-DRAWBAR
17	1100245	0	S	WASHER-LK .5
18	1100055	0	S	SCR-HH 1/2-13X1.25 G5 ZP
19	1185976	0	S	FITTING-GREASE 1/4-28X2.00
20	1752556	0		BEARING-FLANGE
21	1703073	0	/P	WASHER-THRUST
22	1185689	0		RING-HEAVY EXT HD 1.0 ID
23	1754321001	0		BOLSTER-FRONT AXLE
24	1752797001	0	/P	ARM-STEERING
25	1751629001	0		BRKT-CYLINDER
26	1186033	0		WASHER-1.75X.328X.1345
27	1186034	0		KEY-WOODRUFF .25X.875
29	1766242	0	/P	WASHER-SPECIAL .75X2.5
30	1766215	0		CAP-HUB
32	1752518001	0	S	SPINDLE-WHEEL LEFT
33	1767281001	0	F	SUPPORT-VALVE
33	1771762001	0	F	SUPPORT ASSM-VALVE
34	1713361	0	S	JOINT-BALL
35	1186247	0	S	NUT-JAM
36	1110152	0	S	NUT-H/LK 1/2-20 ZP
37	1757627001	0		AXLE-FRONT
38	1746138	0		ROD-TIE
39	1752520	0	/P	SPINDLE-WHEEL RH
40	1100045	0	S	SCR-HH 5/16-18X1.0 G5 ZP
41	1186258	0	S	NUT-HEX JAM 5/16-18
42	1751219	0		PIN-WELD
43	1744374	0		TUBE-PIVOT AXLE
44	1733103	0	/P	PIN-.312X.75
83	1100241	0	S	WASHER-LK .25 ZP
144	1759293	0		SLEEVE-CYLINDER
145	1107073	0		SCR-HH 5/8-11X3.0 G5
146	1110112	0	S	NUT-LOCK
147	1719003	0	/P	JOINT-BALL
148	1100247	0	F	WASHER-LK 1.072X.634X.156
149	1110297	0	/P	NUT-LK TOP 5/18-18
150	1186249	0	S	NUT-HEX/JAM 5/8-18 ZP
151	1751627001	0	/P	CYLINDER-HYDRAULIC
152	1771350001	0		BRKT
153	1186328	0	S	SCR-HFLK 5/16-18X.62 G5ZP

13074 18HP HYDRO GARDEN TRACTOR (S/N 130740100101)  
FRAME & STEERING

Page 12 of 27

Ref #	Part Number	Qty	S/P/F	Description
154	1736440	0		BRG-FLANGE
?155	1185872	0		SCR-TRUSS HD 5/16-18X.62
156	1186391	0	S	NUT-HFLK 5/16-18 ZP
157	1767378	0		CONTROL UNIT
158	1717563	0		CONNECTOR
159	1185737	0	S	ELBOW
160	1767742	0		TUBE-HYD RIGHT
161	1767741	0	/P	TUBE-HYD PB VALVE
162	1767740	0	/P	TUBE-HYDRO PRESSURE
163	1767743	0		TUBE-HYD LEFT
164	1767536	0	F	TUBE-HYD S C U TANK
164	1767746	0	F	TUBE-HYD S C U TANK
165	1860203	0		SCR-HH M6-1.0X19MM
166	1767383	0		SHAFT-STEERING
167	1185632	0	F	BEARING-FLANGED NYLON
167	1800417	0	F	COLLAR
168	1185388	0	S	RING-RET."E".577 ID
169	1703822	0	F	PIN-DRIVE .25X1.5
170	1753279	0	F	WHEEL-STEERING
171	1722667	0	F	CLAMP
172	1100242	0	S/F	WASHER-LK .312 ZP
173	1186230	0	S/F	NUT-HEX 5/16-18 ZP
174	1185739	0		ELBOW
175	1752649	0	F	ASSM-HOSE
175	1755198	0	F	ASSM-HOSE
176	1756142	0		ELBOW
177	1754364	0	F	ASSM-HOSE
177	1755198	0	F	ASSM-HOSE
209	1767393	0	/P/F	VALVE-HYDRAULIC
209	1767394	0	F	VALVE-HYDRAULIC
211	1186389	0	/P/F	NUT-HF/LK 1/4-20 ZP
242	1727898	0		BOLT-U
251	1730692001	0		DOUBLER-FRAME REAR
318	1186309	0	/P/F	SCR-HH 1/4-20X.625
328	1767130	0		DECAL-OPERATING INST
530	1768792	0	S	TIRE-16X6.50-8
531	1767101	0		WHEEL
532	1767113	0		TUNNEL W/DECAL
533	1756524	0	/P	BEARING-BALL
572	1718086	0	S	STEM-VALVE
600	1755461	0	F	BRKT-STEERING
601	1769968001	0	F	SUPPORT-STEERING
602	1753777	0	F	STEERING BRACKET

**13074 HYDRAULIC SYSTEM**



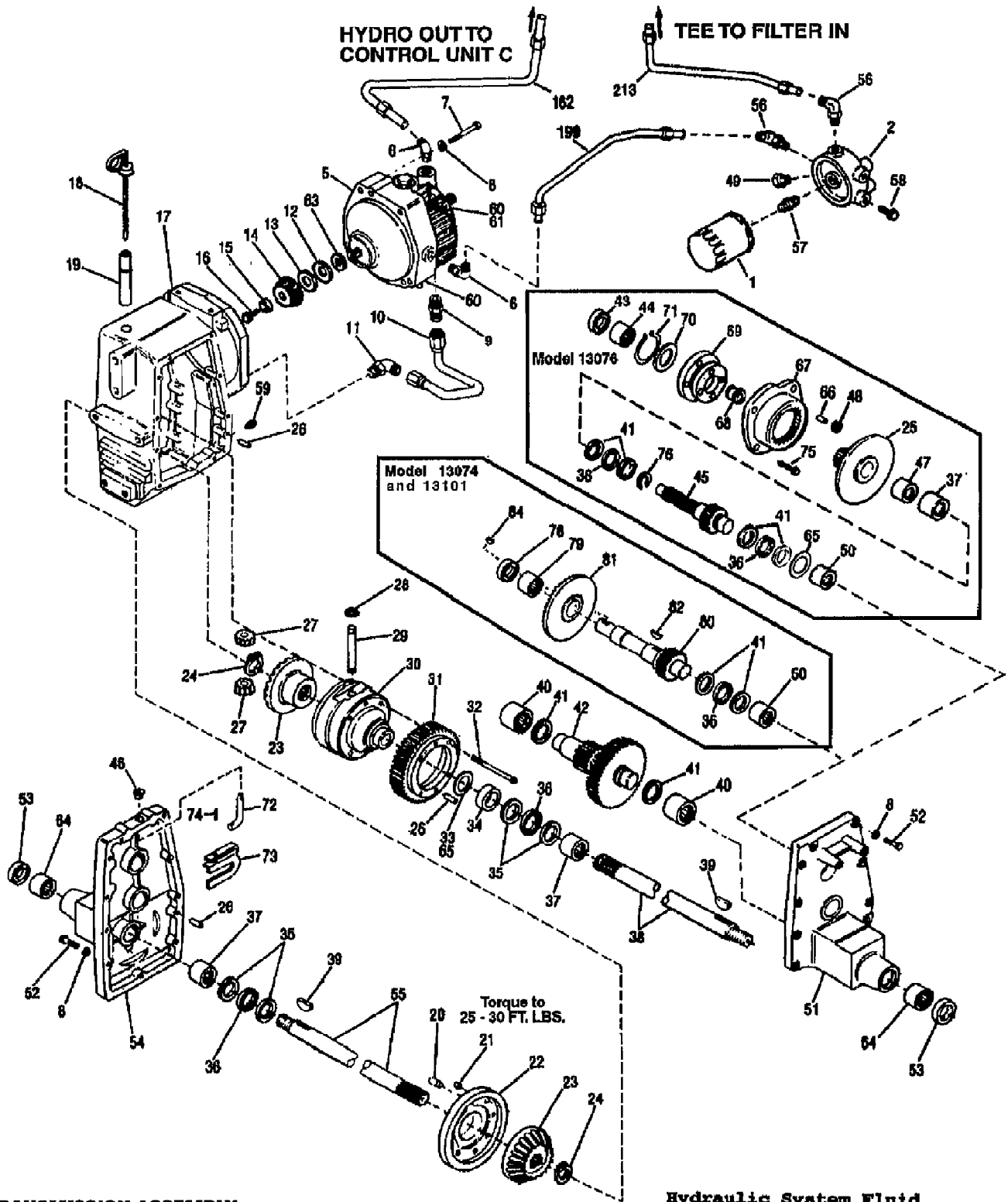
**Hydraulic System Fluid**  
Use SAE 20wt Oil

#1768598

13074 18HP HYDRO GARDEN TRACTOR (S/N 130740100101)  
HYDRAULIC SYSTEM PARTS

Page 14 of 27

Ref #	Part Number	Qty	S/P/F	Description
	1768598	0		OIL-SAE 20 HYDROSTATIC
151	1751627001	0	/P	CYLINDER-HYDRAULIC
157	1767378	0		CONTROL UNIT
160	1767742	0		TUBE-HYD RIGHT
161	1767741	0	/P	TUBE-HYD PB VALVE
162	1767740	0	/P	TUBE-HYDRO PRESSURE
163	1767743	0		TUBE-HYD LEFT
164	1767536	0		TUBE-HYD S C U TANK
175	1752649	0		ASSM-HOSE
177	1754364	0		ASSM-HOSE
178	1726450	0	/P	FILTER-OIL
181	1769536	0		MANIFOLD-FILTER
185	1747509	0	/P	ASSM-CYL HYDRAULIC
186	1752648	0	/P	ASSM-HOSE
188	1755198	0		ASSM-HOSE
199	1755237	0		ASSM-RETURN TUBE
209	1767393	0	/P	VALVE-HYDRAULIC
213	1767537	0		TUBE-HYD RETURN
214	1762308	0	/P	TEE-SWIVEL
216	1767744	0		TUBE-HYD VALVE TO ROD
218	1767745	0		TUBE-HYD VALVE TO HEAD



**TRANSMISSION ASSEMBLY**

(13074)  
 (13076)

**Hydraulic System Fluid**  
 Use SAE 20wt Oil #1768598  
 Use Hydro/Trans Fluid #1738157

13074 18HP HYDRO GARDEN TRACTOR (S/N 130740100101)  
HYDRO & TRANSAXLE ASSEMBLY

Page 16 of 27

Ref #	Part Number	Qty	S/P/F	Description
1	1726450	0	/P	FILTER-OIL
2	1752734	0		FILTER-MANIFOLD
5	1764708	0	S	PUMP-HYDRO
6	1185737	0	S	ELBOW
7	1100770	0		SCR-HH 3/8-16X2.75 G5 ZP
8	1100243	0	S	WASHER-LK .375 @ DEPL
9	1186464	0		CONNECTOR
10	1729264	0		TUBE
11	1724390	0		ELBOW
12	1730374	0		WASHER-SHIM
13	1730375	0		WASHER-SHIM
14	1729531	0		PINION-BEVEL
15	1729559	0		SPACER-1.0X.25X.25
16	1741832	0	S	SCR-HH 1/4-20X.625 G5 ZP
17	1747086001	0		HOUSING-TRANSAXLE
18	1769907	0		DIPSTICK
19	1724091	0		TUBE
20	1733103	0	/P	PIN-.312X.75
21	1186459	0	/P	NUT-HEX/LK 5/16-18 G5ZP
22	1728645	0		COVER-DIFFERENTIAL
23	1752093	0	F	GEAR-BEVEL 22T
23	1752094	0	F	GEAR-23T
24	1185732	0	F	RING-RET
24	1185689	0	F	RING-HEAVY EXT HD 1.0 ID
25	1727735	0	F	GEAR-BEVEL 23T 24T 56T
26	1110189	0	/P	PIN-DOWEL .375X1.00 ZP
27	1752095	0		PINION-10T
28	1185668	0		RING-HEAVY EXT .625 ID
29	1756741	0		PINION-SHAFT
30	1747087	0	/P/F	CARRIER-DIFFERENTIAL
30	1729972	0	F	CARRIER-DIFFERENTIAL
31	1729260	0		GEAR-AXLE 47T
32	1733684	0	/P	SCR-HFLK 5/16-18X4.00 ZP
33	1719271	0	F	SHIM-1.75X1.26X.02
33	1718781	0	/P/F	SHIM-.005
33	1800338	0	S/F	SHIM-1.875X1.013X.015
34	1747089	0	F	SPACER-1.75X1.265X.432
34	1729497	0	F	SPACER-1.5X1.01X.45
35	1185767	0	S/F	RACE-THRUST
35	1185730	0	/P/F	RACE-THRUST
36	1185764	0	F	BEARING-THRUST
36	1185729	0	/P/F	BEARING-THRUST
37	1185721	0	F	BEARING-NEEDLE
38	1747092	0	F	AXLE-RH
38	1747062	0	F	AXLE-RH
39	1100281	0		KEY-WOODRUFF .312X1.12
40	1186010	0		BEARING-NEEDLE
41	1186002	0	F	RACE-THRUST
42	1747065	0	F	GEAR CLUSTER
42	1729258	0	F	ASSM-GEAR CLUSTER
43	1185296	0	/P	SEAL-OIL
44	1185280	0	/P	BEARING-NEEDLE
45	1751774	0	F	SHAFT-PINION

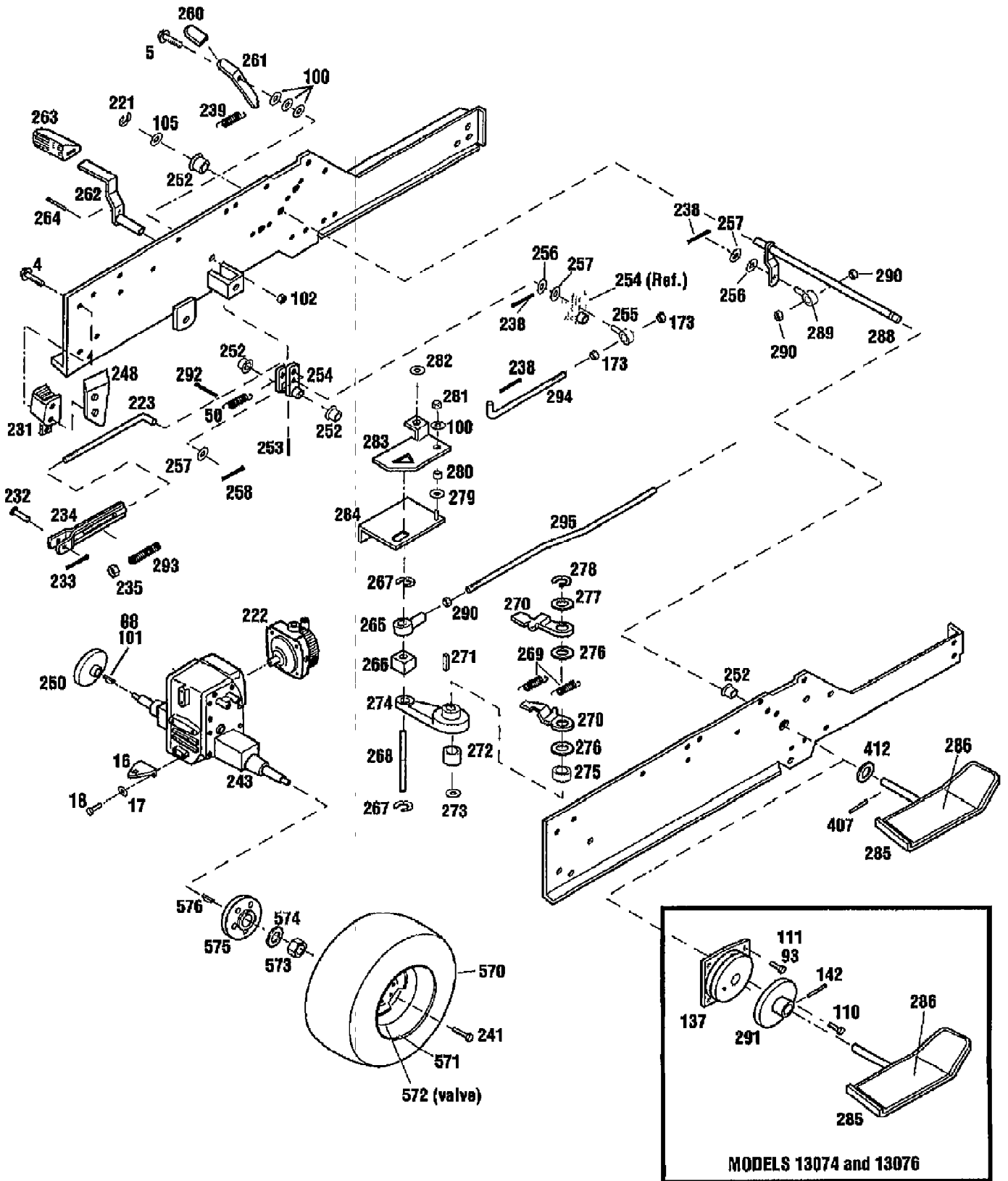


13074 18HP HYDRO GARDEN TRACTOR (S/N 130740100101)  
HYDRO & TRANSAXLE ASSEMBLY

Page 17 of 27

Ref #	Part Number	Qty	S/P/F	Description
46	1729555	0	/P/F	SEAL-OIL
47	1725907	0	F	BEARING-BRONZE
48	1725945	0	F	GEAR-PLANET
49	1750139	0		SWITCH-TEMPERATURE
50	1185774	0	/P/F	BEARING-NEEDLE
50	1187731	0	F	BEARING-NEEDLE
51	1747063	0	F	COVER-TRANS RH
51	1747072	0	F	COVER-TRANSAXLE RH
52	1100047	0	S	SCR-HH 3/8-16X1.5 G5 ZP
53	1185301	0	F	SEAL-OIL
53	1185295	0	S/F	SEAL-OIL
54	1747073001	0	F	COVER-TRANS LH
54	1747070001	0	F	COVER-TRANS LH
55	1747091	0	F	AXLE-LH
55	1747061	0	F	AXLE-LH
56	1185739	0		ELBOW
57	1721921	0		COUPLING
58	1186345	0	/P	SCR
59	1185930	0		PLUG-PIPE
60	1724376	0	S/F	SEAL-OIL
61	1724377	0	S/F	SHIELD-GRASS
63	1705093	0	S	WASHER-1.0X.64X.029
64	1187206	0	/P/F	BEARING
64	1727637	0	F	BEARING-NEEDLE
65	1718781	0	/P/F	SHIM-.005
66	1726082	0	F	PIN
67	1744305	0	F	GEAR-INTERNAL RING
68	1725909	0	F	GEAR-SLIDING
69	1725942	0	F	CARRIER-PLANET
70	1726050	0	F	WASHER-THRUST
71	1186461	0	F	RING-RET. INT 4 DIA
72	1753144	0	F	SHAFT-SHIFTER
73	1725912	0	F	PLATE-SHIFTER
74	1185389	0	S/F	PIN-ROLL .156X.75
75	1730012	0	F	SCR 5/16-18X1.00
76	1726051	0	F	RING-POSITIONING
78	1185882	0	F	SEAL-OIL
79	1187731	0	F	BEARING-NEEDLE
80	1751777	0	F	ASSM-PINION SHAFT
81	1724079	0	F	GEAR
82	1100279	0	F	KEY-WOODRUFF .25X1
84	1751775	0	F	KEY-WOODRUFF .25X.75
162	1767740	0	/P	TUBE-HYDRO PRESSURE
199	1755237	0		ASSM-RETURN TUBE
213	1752662	0		ASSM-TUBE
	1768598	0		OIL-SAE 20 HYDROSTATIC {13074}
	1738157	0	/P	FLUID-HYD 1 GAL {13076}

13074 18HP HYDRO GARDEN TRACTOR (S/N 130740100101)  
HYDROSTATIC CONTROL & BRAKE LINKAGE



13074 18HP HYDRO GARDEN TRACTOR (S/N 130740100101)  
HYDROSTATIC CONTROL & BRAKE LINKAGE

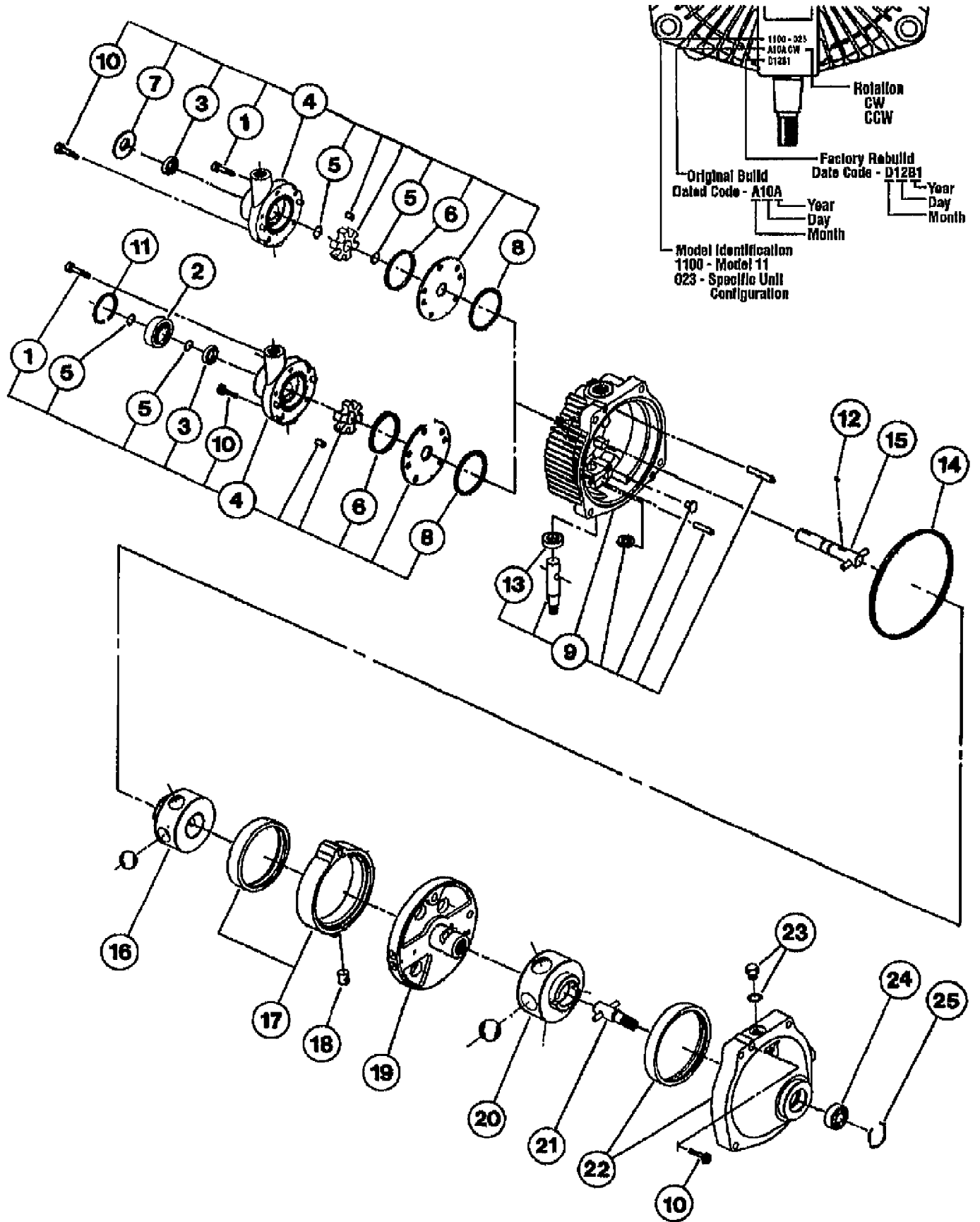
Page 19 of 27

Ref #	Part Number	Qty	S/P/F	Description
4	1186345	0	/P	SCR
5	1186347	0	S	SCR-HFLK 3/8-16X1.00 ZP
16	1724698001	0	/P	HITCH-DRAWBAR
17	1100245	0	S	WASHER-LK .5
18	1100055	0	S	SCR-HH 1/2-13X1.25 G5 ZP
50	1746769	0	/P	SPRING
68	1104436	0	S/F	KEY-WOODRUFF .188X.75
93	1185985	0	S/F	NUT W/LKWASHER 10-24 ZP
100	1107383	0	S	WASHER-FLAT 3/8 SAE
101	1751775	0	F	KEY-WOODRUFF .25X.75
102	1733398	0	S	NUT-LOCK 3/8-16
105	1715301	0	/P	WASHER-1.115X.637X.06
110	1738463	0		SCR
111	1185130	0	/P	SCR-SEMS MACH
137	1738462	0	/P	CLUTCH
142	1185232	0	S	PIN-ROLL
173	1186230	0	S	NUT-HEX 5/16-18 ZP
221	1118808	0	/P	RING-RETAIN .625 ID
222	1764708	0	S	PUMP-HYDRO
223	1757504	0		ROD-BRAKE
231	1758869	0		ASSY BRAKE-CYLINDER
232	1757599	0		PIN-CLEVIS .25X.62
233	1187385	0		PIN-COTTER
234	1768469	0		SPRING-YOKE ASSM
235	1757246	0		NUT-SPECIAL
238	1100346	0	S	PIN-COTTER .09X.75 ZP
239	1726640	0		SPRING
241	0101085	0	/P	BOLT-HUB
243	1754102010	0	F	ASSM-TRANSAXLE
243	1754174010	0	F	TRANSAXLE
248	1757390001	0		BRKT-TRANS SUPPORT
250	1756818	0	F	BRAKE-DISC
250	1756816	0	F	DISC-BRAKE
252	1185802	0		BEARING-FLANGE
253	1732147	0	S	PIN-DRIVE .187X1.0
254	1756812	0		ARM
255	1763814	0		SWIVEL
256	1705108	0	S	WASHER-.632X.39X.0329
257	1107382	0	/P	WASHER-FLAT 5/16 SAE
258	1100349	0	S	PIN-COTTER .125 X .75 ZP
260	1734553	0		GRIP
261	1771386001	0		LOCK-BRAKE
262	1755510	0		PEDAL-BRAKE
263	1728694	0	/P	FOOT REST
264	1120209	0		PIN-ROLL .188X.75
265	1721612	0	/P	ROD-END
266	1720699	0		BLOCK
267	1118802	0		RING-RET.EXT .437 ID
268	1734563	0		PIN-CONTROL
269	1720928	0		SPRING
270	1720523	0		ARM
271	1104435	0	S	KEY-WOODRUFF 1/8 X 5/8
272	1107385	0	S	WASHER-1.06X.531X.1 ZP

13074 18HP HYDRO GARDEN TRACTOR (S/N 130740100101)  
HYDROSTATIC CONTROL & BRAKE LINKAGE

Page 20 of 27

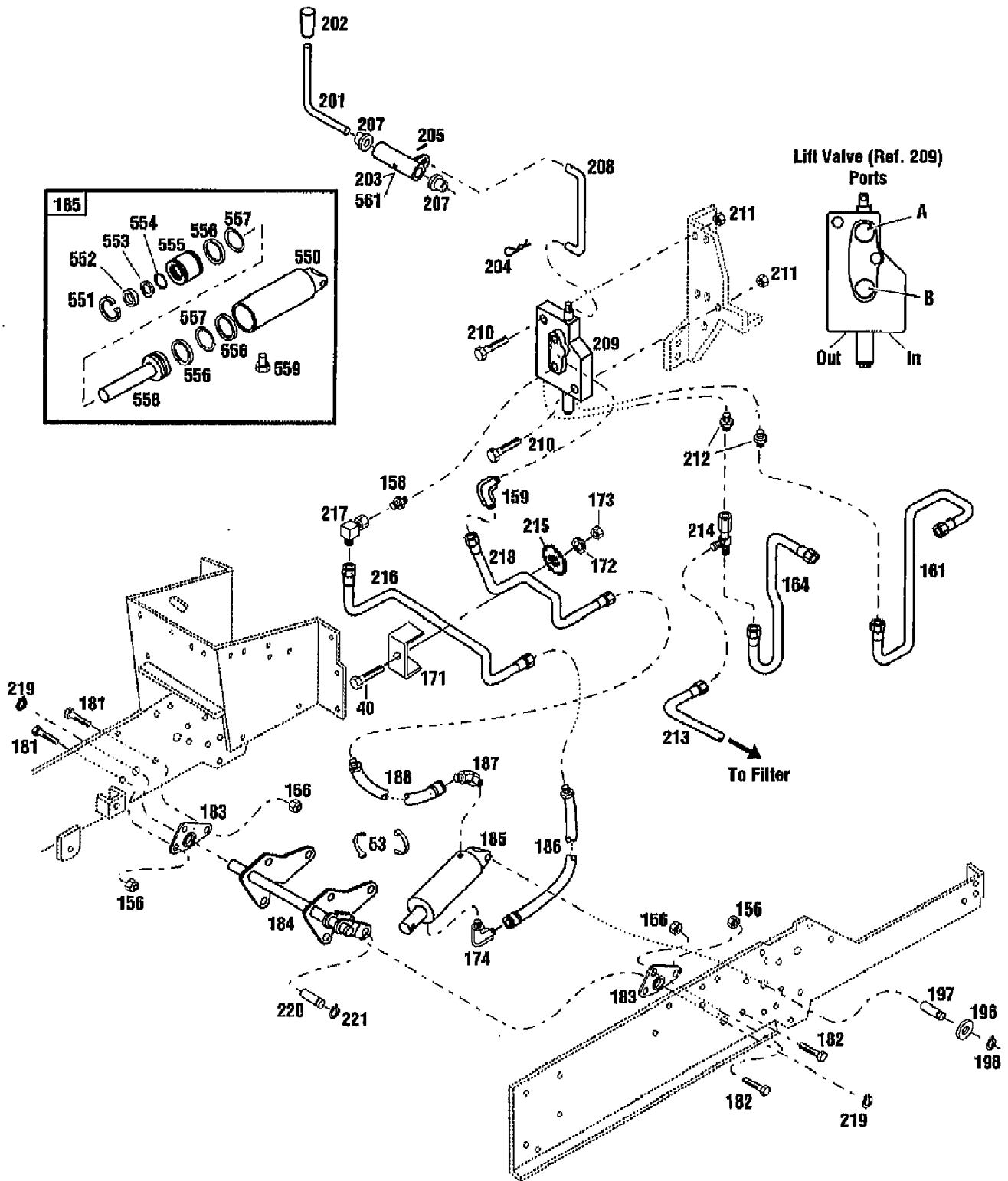
Ref #	Part Number	Qty	S/P/F	Description
273	1110110	0	S	NUT-H/LK 1/2-13
274	1722151	0		ARM-SPEED CONTROL
275	1720706	0		BEARING
276	1720361	0		WASHER-THRUST
277	1720529	0	S	WASHER
278	1185732	0		RING-RET
279	1703052	0		WASHER-1.75X.39X.059
280	1732369	0		SPACER-.625X.4X.2
281	1185506	0	S/F	NUT-HEX/JAM 3/8-16 ZP
281	1110108	0	S/F	NUT-H/LK 3/8-16
282	1100254	0	S	WASHER-.75X.312X.065 ZP
283	1729213	0		PLATE-NEUTRAL
284	1729445	0		PLATE-NEUTRAL
285	1766085001	0		ASSM-PEDAL HYDRO
286	1766202	0	/P	PAD-FOOT PEDAL
288	1770201	0		SHAFT-SPEED CONTROL
289	1751848	0		SWIVEL
290	1186246	0	/P	NUT-HEX/JAM 7/16-20
291	1738447	0	F	ASSM-CONTROL DISC
292	1100350	0	S	PIN-COTTER .120X1.00 ZP
293	1757501	0	F	SPRING-COMPRESSION
293	1773193	0	F	SPRING-COMPRESSION
294	1759491	0		ROD-BRAKE CONTROL
295	1747514	0		ROD-SPEED CONTROL
407		1		UNKNOWN
412		1		UNKNOWN
570	1768795	0	F	TIRE
571	1766131	0	/P/F	RIM-WHEEL REAR
572	1718086	0	S	STEM-VALVE
573	1120390	0		NUT-H/LK 3/4-10
574	1708599	0		SPACER-1.812X.765X.179
575	1726679	0	F	HUB-WHEEL
575	1747088	0	F	HUB-WHEEL
576	1100281	0		KEY-WOODRUFF .312X1.12



13074 18HP HYDRO GARDEN TRACTOR (S/N 130740100101)  
HYDROSTATIC TRANSMISSION ASSEMBLY

Page 22 of 27

Ref #	Part Number	Qty	S/P/F	Description
	1768598	0		OIL-SAE 20 HYDROSTATIC
	1738157	0	/P	FLUID-HYD 1 GAL
1	0	0		SOCKET HEAD CAPSCREW
2		1		UNKNOWN
3	1724381	0	S	SEAL-OIL
4	1744189	0	S	KIT-PUMP CHARGE
5	1724375	0		RING-SNAP
6	1744155	0		RING-SQ SEAL
7	1724377	0	S	SHIELD-GRASS
8	1744157	0	/P	RING-SQ SEAL
9	1744154	0		ASSM-COVER
10	0	0		SOCKET HEAD CAPSCREW
11		1		UNKNOWN
12	1744159	0	/P	PIN-DRIVE
13	1724376	0	S	SEAL-OIL
14	1744185	0	S	RING-SQ SEAL
15	1744162	0	/P	SHAFT-INPUT (W/KEY)
16	1744164	0	/P	ASSM-PUMP ROTOR & BALL
17	1744184	0		ASSM-RING CAM
18	1744176	0		RING-CAM INSERT
19	1744166	0		ASSM-PINTLE
20	1744177	0		ASSM-MOTOR ROTOR & BALL
21	1744010	0		SUBASSM-OUTPUT SHAFT
22	1744180	0	/P	ASSM-BODY
23	1744179	0		SUBASSM-O RING PLUG
24	1104440	0		BRG-BALL (OUTPUT)
25	1724380	0		RING-RETAIN
?101	1768598	0	F	OIL-SAE 20 HYDROSTATIC {13074}
?102	1738157	0	/P/F	FLUID-HYD 1 GAL



13074 18HP HYDRO GARDEN TRACTOR (S/N 130740100101)  
LIFT ASSEMBLY

Page 24 of 27

Ref #	Part Number	Qty	S/P/F	Description
40	1100045	0	S	SCR-HH 5/16-18X1.0 G5 ZP
53	1765531	0		CABLE TIE
156	1186391	0	S	NUT-HFLK 5/16-18 ZP
158	1717563	0		CONNECTOR
159	1185737	0	S	ELBOW
161	1767741	0	/P	TUBE-HYD PB VALVE
164	1767536	0		TUBE-HYD S C U TANK
171	1722667	0	F	CLAMP
172	1100242	0	S/F	WASHER-LK .312 ZP
173	1186230	0	S/F	NUT-HEX 5/16-18 ZP
174	1185739	0		ELBOW
181	1186330	0	S	SCR-LOCK
182	1186330	0	S	SCR-LOCK
183	1767725	0		BEARING-LIFT SHAFT
184	1761400001	0		SHAFT
185	1747509	0	/P	ASSM-CYL HYDRAULIC
186	1752648	0	/P	ASSM-HOSE
187	1185903	0		ELBOW
188	1755198	0		ASSM-HOSE
196	1708012	0	S	WASHER-1.5X.755X.062
197	1724703	0		PIN
198	1113527	0	S	RING-RETAIN EXT .707 ID
201	1755460	0		LEVER-CONTROL
202	1755473	0	S	KNOB-SHIFT LEVER
203	1771430	0	F	ARM-CONTROL
204	1717897	0	/P	PIN-CLIP .08
205	1713457	0	S	PIN-DRIVE
207	1737018	0	/P	BRG-FLANGE
208	1767406	0		LINK-VALVE
209	1767394	0		VALVE-HYDRAULIC
210	1186316	0		SCR-HFLK 1/4-20X2.00 G5ZP
211	1186389	0	/P	NUT-HF/LK 1/4-20 ZP
212	1769391	0		CONNECTOR
213	1767537	0		TUBE-HYD RETURN
214	1762308	0	/P	TEE-SWIVEL
215	1701055	0	/P/F	WASHER-FLAT 1.25X.406X.179
216	1767744	0		TUBE-HYD VALVE TO ROD
217	1727233	0		ELBOW
218	1767745	0		TUBE-HYD VALVE TO HEAD
219	1118554	0	S	RING-RETAINING
220	1747512	0		PIN
221	1118808	0	/P	RING-RETAIN .625 ID
550	1729388	0	S	ASSM-CYL HYDRAULIC
551	1118735	0	S	RING-RETAIN INT 2.210 DIA
552	1185266	0	S	SEAL-OIL
553	1186019	0		RING-BACK/UP
554	1177395	0		RING-O .984 ID
555	1724511	0		HEAD-CYLINDER
556	1186018	0		RING-BACK/UP
557	1186017	0		RING-O 1.6 ID
558	1747043	0		ASSM-ROD HYDR CYLINDER
559	1186278	0		PLUG-PIPE
?560	1754414	0		KIT-SEAL



13074 18HP HYDRO GARDEN TRACTOR (S/N 130740100101)  
LIFT ASSEMBLY

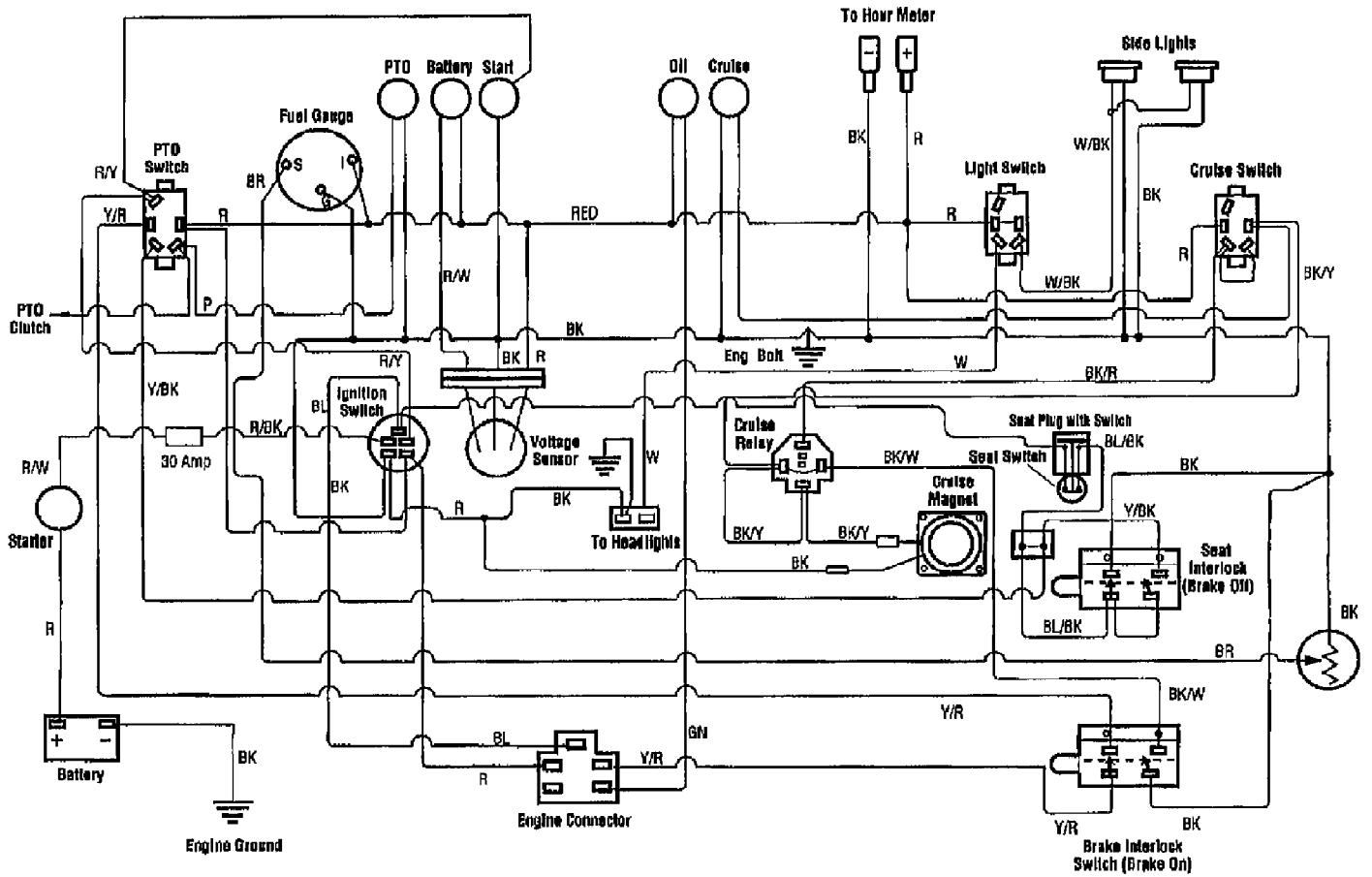
Page 25 of 27

---

Ref #	Part Number	Qty	S/P/F	Description
561	1767404	0	F	ARM-CONTROL

---

**WIRING DIAGRAM**



13074 18HP HYDRO GARDEN TRACTOR (S/N 130740100101)  
WIRING DIAGRAM

Page 27 of 27

Ref #	Part Number	Qty	S/P/F	Description
	0	0		ILLUSTRATION ONLY