

13064 12.5HP HYDRO SUBURBAN TRACTOR (S/N 130640100101)
BODYWORK & TRIM ASSEMBLY

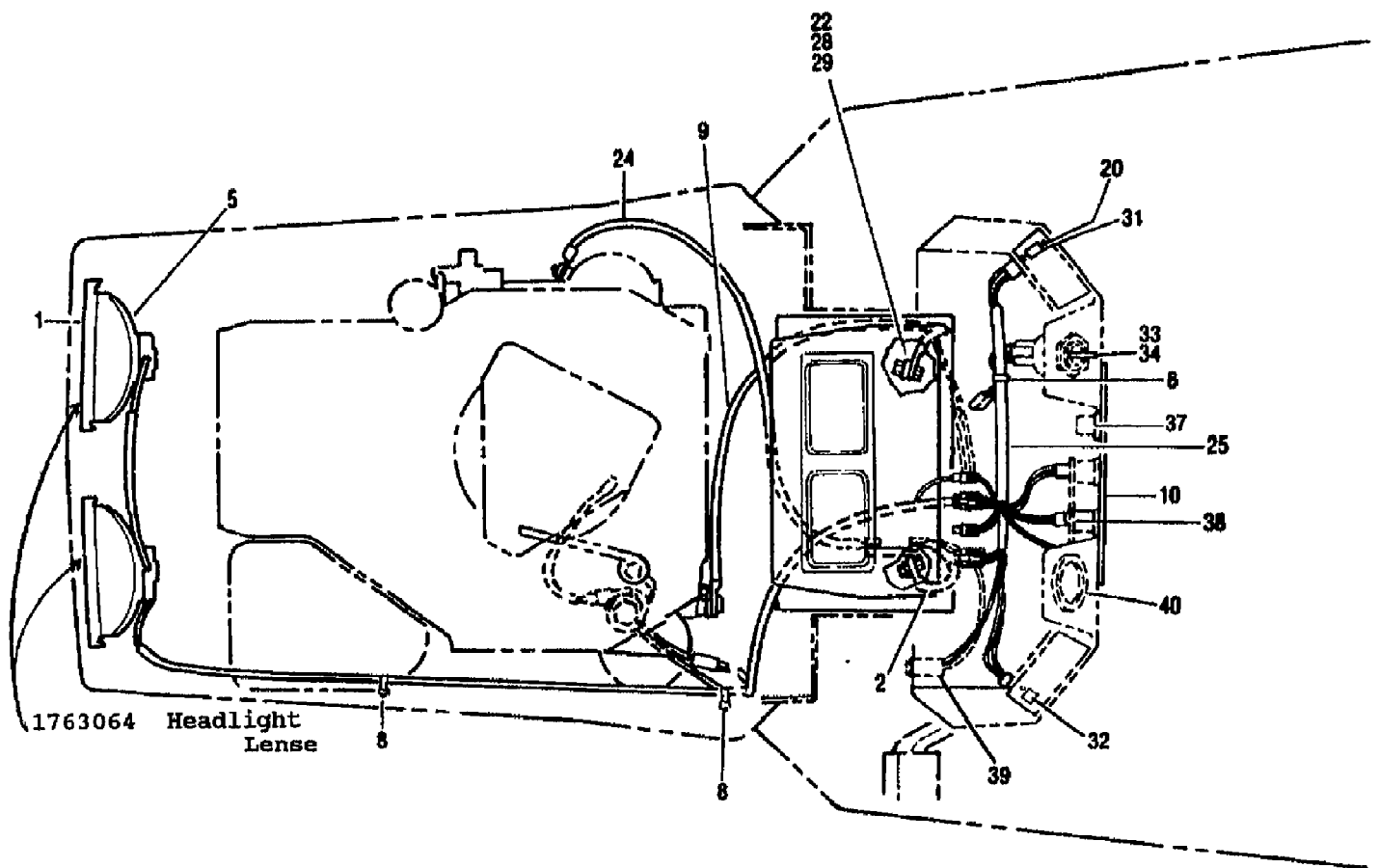
Page 2 of 18

Ref #	Part Number	Qty	S/P/F	Description
1	1756861	0		SEAT {13064}
1	1757363	0		SEAT {13065,13066}
2	1186347	0	S	SCR-HFLK 3/8-16X1.00 ZP
3	1755790	0		PLUG
4	1732499	0	/P	NUT-TOP/LK 5/16-18 ZP
5	1713233	0	S	WASHER-1.25X.343X.059 {13065,13066}
6	1107383	0	S	WASHER-FLAT 3/8 SAE
7	1734269	0		KNOB
8	1764659	0		FOAM-UPPER {13065,13066}
9	1737951	0		NUT-SPECIAL
11	1761031010	0		FENDER-REAR
12	1759101	0		DECAL-LOGO
13	1759100	0		DECAL-LOGO
15	1759104	0		DECAL-FENDER {13066}
15	1757944	0		DECAL-FENDER RH RED {13065}
15	1763857	0		DECAL-FENDER RH {13064}
16	1759103	0		DECAL-FENDER LH {13066}
16	1757945	0		DECAL-FENDER LH RED {13065}
16	1763858	0		DECAL-FENDER LH {13064}
17	1186391	0	S	NUT-HFLK 5/16-18 ZP
18	1893445	0	S	WASHER-FLAT
20	1743987010	0		SUPT-RUNNING BOARD
21	1751805010	0		BOARD-RUNNING RH
22	1751803010	0		BOARD-RUNNING LH
23	1742665	0		PAD-FOOT RH
24	1755729	0		PAD-FOOT LH
25	1186330	0	S	SCR-LOCK
26	1755944	0		PAD-FOOT
27	1764351	0		DECAL-OPERATING INST
29	1755933	0		DECAL-CHOKE {13064}
29	1761578	0		DECAL-CHOKE {13065,13066}
30	1111599	0	S	SCR-HH 1/4-20X.625 G5 ZP
31	1758070	0	S	SCR-HHS 10-24X.625 ZP
32	1762861	0		LINK-HINGE RH
33	1764587010	0		ASSM-HINGE STRAP
35	1764360	0		NUT-HT/LK 1/4-20
36	1763048	0		LINK-HINGE LH
37	1186309	0	/P	SCR-HH 1/4-20X.625
38	1186389	0	/P	NUT-HF/LK 1/4-20 ZP
39	1186308	0	S	SCR-HFLK 1/4-20X.50 ZP
41	1762875	0		GRILLE
44	1762858010	0		COVER-SIDE LH
45	1762859010	0		COVER-SIDE RH
47	1727127	0		LATCH-RUBBER
48	1727126	0	/P	CLIP
49	1185985	0	S	NUT W/LKWASHER 10-24 ZP
50	1764657	0		SUPPORT-HOOD ROD
52	1762856010	0		ASSM-HOOD
53	1756876	0		DECAL-SVC INST
55	1107381	0	S	WASHER-FLAT 1/4 SAE
56	1753039	0		PANEL-INSTRUCTION
57	1755931	0		DECAL-THROTTLE
58	1756739	0		CAP {13064}

13064 12.5HP HYDRO SUBURBAN TRACTOR (S/N 130640100101)
BODYWORK & TRIM ASSEMBLY

Page 3 of 18

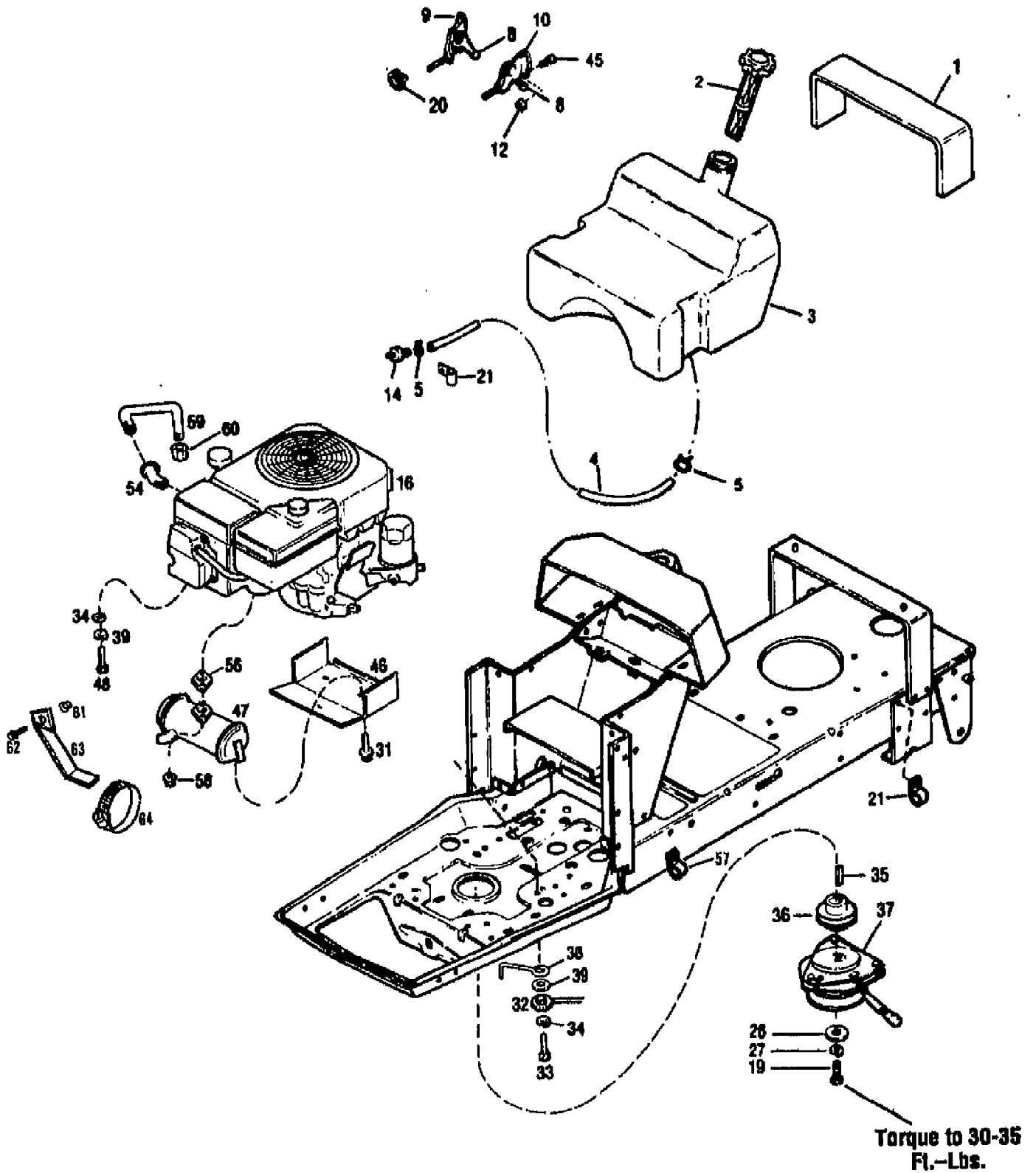
Ref #	Part Number	Qty	S/P/F	Description
59	1755932	0		DECAL-IGNITION
61	1758766	0		BLOCK-SEALING {13065,13066}
65	1757366	0		DECAL-FUEL
67	1186469	0	S	SCR-CARR 5/16-18X.75
68	1186393	0	/P	NUT-HFLK 3/8-16 ZP
69	1701055	0	/P	WASHER-FLAT 1.25X.406X.179
70	1755449	0	/P	SPRING-COMPRESSION
71	1759102	0		DECAL-LOGO FENDER
72	1706782	0	/P	WASHER-BOW .74X.52X.01
73	1705793	0		WASHER-1.06X.51X.09 NYLON
74	1754125	0	/P	SCR-SHLDR 3/8-16X.25 G5ZP
75	1760963001	0	S	ASSM-SEAT SUPPORT
77	1753911	0		BLOCK-PIVOT
78	1757939	0		DECAL-SIDECVR LH RED
78	1757938	0		DECAL-SIDECVR RH RED
79	1900333	0		DECAL-U.S.A.
80	1723384	0	S	WASHER-1.5X.343X.104
81	1100799	0	S	SCR-HH 5/16-18X1.5 G5 ZP
83	1764597001	0		ASSM-SUPPORT LH
84	1764598001	0		ASSM-SUPPORT RH
85	1757542	0		CLIP
	1900706	0	S	PAINT-RED SPRAYCAN POWDER



13064 12.5HP HYDRO SUBURBAN TRACTOR (S/N 130640100101)
ELECTRICAL ASSEMBLY

Page 5 of 18

Ref #	Part Number	Qty	S/P/F	Description
	1763064	0	/P	LENSE
1	1752874	0	/P	REFLECTOR
2	1756074	0	/P	CABLE-BATTERY (+)
3	1752872	0	S	LIGHTBULB
4	1752875	0		SOCKET
5	1752871	0	/P	ASSM-LIGHT
8	1735531	0	S	TIE-CABLE NYLON BLACK
9	1754220	0	/P	CABLE (-)
10	1756872	0		LENSE
13	1107381	0	S	WASHER-FLAT 1/4 SAE
14	1764358	0		NUT-H/LK 1/4-20
15	1752586	0		BOLT-HOOK
16	1115815	0	S	SCR-TRUSS #10-24 X 5/8
17	1185985	0	S	NUT W/LKWASHER 10-24 ZP
18	1752840	0		BATTERY
19	1752137	0	S	SOLENOID
20	1750963	0		SCR-FHP #6-32X.50 ZP
22	1186229	0	S	NUT-HEX 1/4-20 ZP
23	1748014	0		GROMMET-SPLIT
24	1741506	0		CABLE-STARTER
25	1752134	0		HARNESS-CONSOLE WIRING
26	1747738	0	/P	CLIP-J
27	1761006	0		TRAY-BATTERY
28	1100241	0	S	WASHER-LK .25 ZP
29	1111599	0	S	SCR-HH 1/4-20X.625 G5 ZP
30	1756076	0		HARNESS-INTERLOCK
31	1754608	0	/P	SWITCH-PTO
32	1754856	0		SWITCH-LIGHT
33	1754250	0	S	SWITCH-IGNITION
34	1753986	0	/P	KEY-IGNITION
35	1763862	0		HARNESS-WIRE ENGINE
36	1755802	0	/P	BATTERY-HOLDDOWN
37	1735285	0	/P	BULB (MFG NO. GE 73)
38	1186020	0		SCR-PHP M6-32X.38 ZP
39	1743516	0	S	FUSE-30 AMP
40	1756739	0		CAP
43	1755349	0		SCR-PHP 1/4-20X.50 ZP
44	1752506	0	/P	SWITCH-SEAT
45	1755487	0		GROMMET
46	1734934	0		GROMMET-RUBBER
47	1751328	0	S	SWITCH
51	1758070	0	S	SCR-HHS 10-24X.625 ZP
53	1764583	0		GASKET

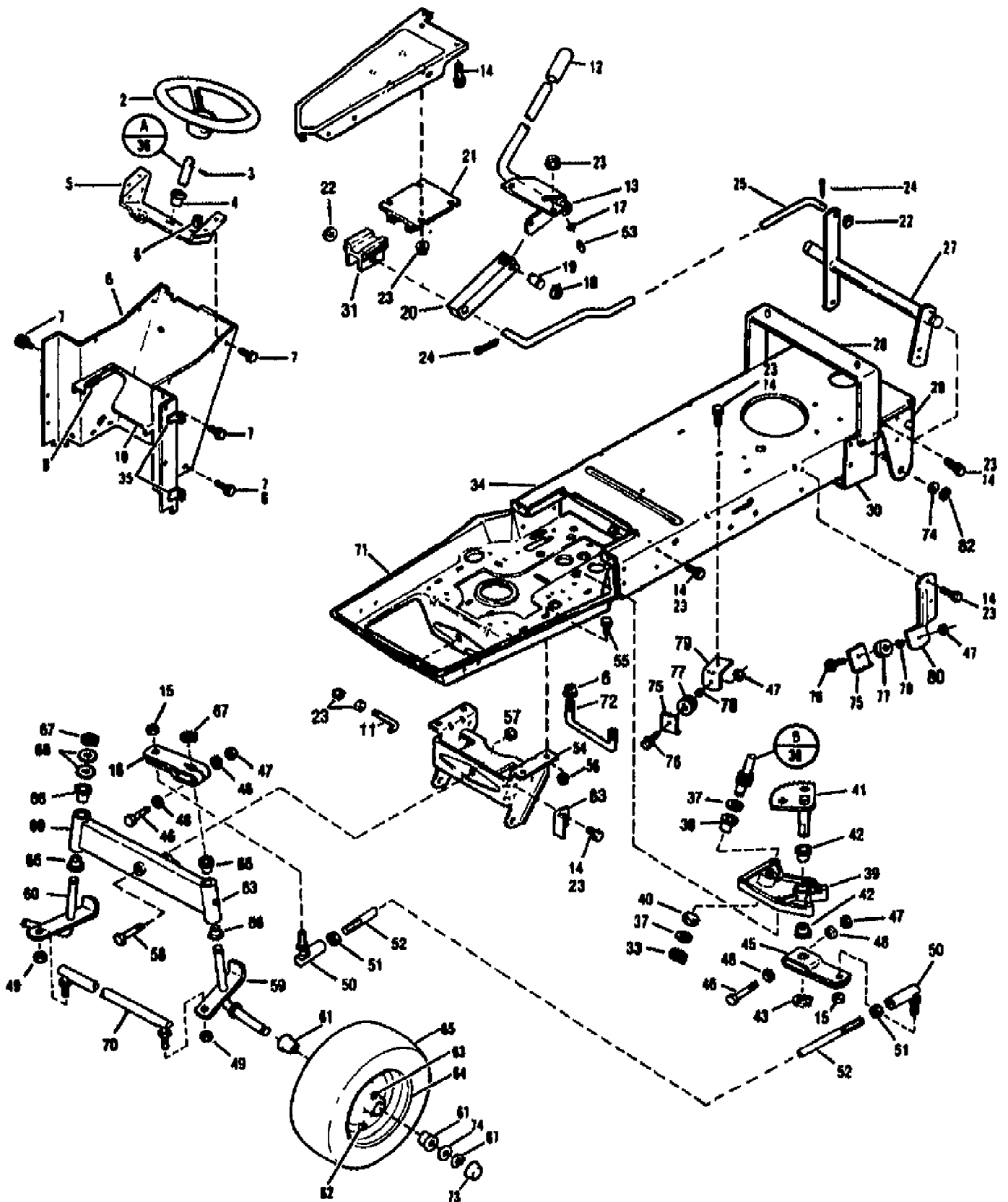


13064 12.5HP HYDRO SUBURBAN TRACTOR (S/N 130640100101)
ENGINE ASSEMBLY

Page 7 of 18

Ref #	Part Number	Qty	S/P/F	Description
1	1744390	0		PAD-FUEL TANK
2	1748758	0	S	CAP-GAS
3	1756460	0		TANK-FUEL
4	1752795	0		LINE-FUEL 52"
5	1750687	0	S	CLAMP-HOSE
8	1737118	0	S	KNOB
9	1755926	0	S	THROTTLE-CONTROL
10	1755927	0		C-CONTROL
12	1185985	0	S	NUT W/LKWASHER 10-24 ZP
14	1727491	0	S	FILTER-FUEL
16	0	0	F	ENGINE, KOHLER 12.5HP MODEL CV12.59(OHV)
19	1763988	0		SCR-HH M10X1.5X80
20	1735531	0	S	TIE-CABLE NYLON BLACK
21	1747738	0	/P	CLIP-J
26	1744455	0	/P	WASHER-SPEC 1.42X.468X.25 ZP
27	1100244	0	S	WASHER-LK .438 ZP
31	1763875	0		SCR-HFLK 1/4-20 X .375
32	1763862	0		HARNESS-WIRE ENGINE
33	1860219	0		SCR-HH M8-35
34	1100242	0	S	WASHER-LK .312 ZP
35	1748146	0		KEY-.25 SQ X 2.5
36	1742535	0		SHEAVE
37	1755341	0	S	CLUTCH-ELECTRIC
38	1754787	0	/P	CLUTCH-RETAINER
39	1100255	0	S	WASHER-FLAT 5/16 SAE
45	1750962	0		SCR
46	1764845001	0		SHIELD-HEAT
47	1763852	0		KIT-MUFFLER
48	1860217	0	/P	BOLT-M8X25
54	1743683	0		ELBOW-45 DEGREES
56	0	0	F	GASKET
57	1745366	0		HANGER-CABLE
58	0	0	F	NUT, M8X1.25
59	1763866	0		TUBE-OIL DRAIN
60	1745688	0		CAP-DRAIN TUBE
61	1186389	0	/P	NUT-HF/LK 1/4-20 ZP
62	1186309	0	/P	SCR-HH 1/4-20X.625
63	1764692001	0		BRKT-MUFFLER
64	1740083	0	S	CLAMP-WORM

13064 12.5HP HYDRO SUBURBAN TRACTOR (S/N 130640100101)
FRAME, LIFT & STEERING ASSEMBLY



13064 12.5HP HYDRO SUBURBAN TRACTOR (S/N 130640100101)
FRAME, LIFT & STEERING ASSEMBLY

Page 9 of 18

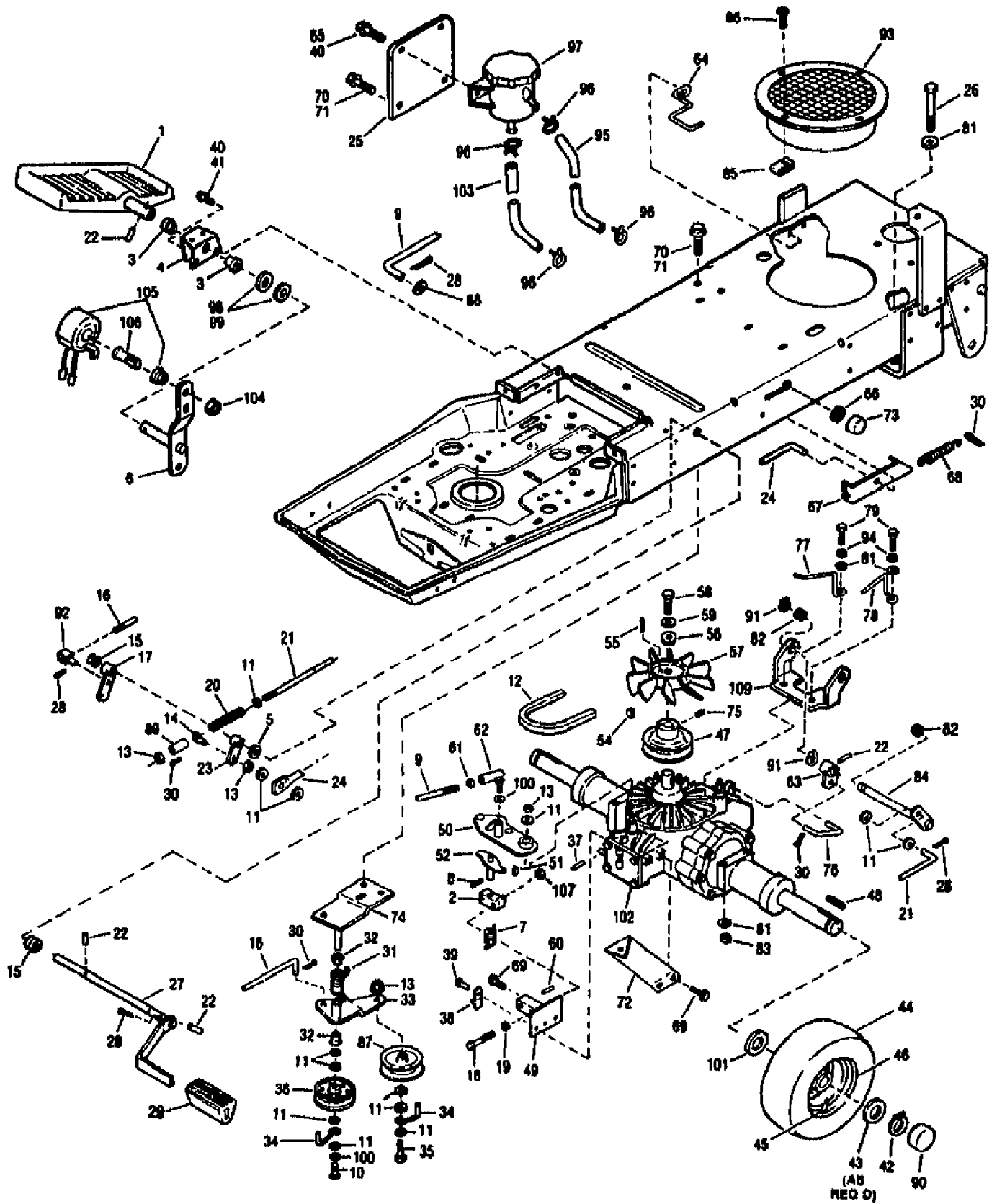
Ref #	Part Number	Qty	S/P/F	Description
2	1747804	0		WHEEL-STEERING {13064,13065}
2	1753279	0		WHEEL-STEERING {13066}
3	1185279	0	/P	PIN-ROLL .25X2.25 {13064,13065}
3	1185533	0		PIN-DRIVE .25X1.5 {13066}
4	1185632	0		BEARING-FLANGED NYLON
5	1752363	0		SUPPORT-STEERING SHAFT
6	1186389	0	/P	NUT-HF/LK 1/4-20 ZP
7	1186309	0	/P	SCR-HH 1/4-20X.625
8	1758797010	0		SUPT-INSTRUMENT PANEL {13065,13066}
8	1758724010	0		SUPT-INSTRUMENT PANEL {13064}
9	1185456	0		NUT-SPEED
10	1756073001	0		SUPPORT-BATTERY
11	1757291	0	/P	GUIDE-BELT
12	1703539	0	S	GRIP-FLEX
13	1759450001	0		ASSM-LIFT LEVER
14	1186330	0	S	SCR-LOCK
15	1750957	0		NUT-HEX/JAM 1/2-20 ZP
16	1750581	0		ASSM-ARM SPINDLE
17	1805368	0		WASHER
18	1185427	0		RING-RETAINING
19	1747189	0		PIN
20	1754179	0	/P	LINK-PUSH
21	1757661	0		GUIDE-STAT
22	1107385	0	S	WASHER-1.06X.531X.1 ZP
23	1186391	0	S	NUT-HFLK 5/16-18 ZP
24	1100350	0	S	PIN-COTTER .120X1.00 ZP
25	1751070	0		ROD-LIFT
27	1754950001	0		ASSM-LIFT SHAFT
28	1754944001	0		ASSM-FENDER SUPPORT
29	1758842001	0		ASSM-PANEL REAR
30	1740984001	0		AXLE-SUPPORT
31	1757659	0	/P	GUIDE-SLIDE
33	1177567	0	S	RING-RETAINING
34	1755847001	0		FRAME-REAR
35	1742934	0		NUT-SPEED
36	1751284	0		SHIFT-STEER
37	1730375	0		WASHER-SHIM
38	1747303	0		BEARING
39	1750594	0		ASSM-STEER SUPT
40	1715301	0	/P	WASHER-1.115X.637X.06
41	1750501	0		ASSM-SECTOR GEAR
42	1185386	0	/P	BEARING-FLANGE
43	1113527	0	S	RING-RETAIN EXT .707 ID
45	1750495	0		ARM-STEERING
46	1100049	0	S	SCR-HH 3/8-16X2.25 G5 ZP
47	1733398	0	S	NUT-LOCK 3/8-16
48	1708755	0		WASHER-.875X.390X.134
49	1110150	0	S	NUT-LOCK
50	1716180	0		JOINT-BALL
51	1186247	0	S	NUT-JAM
52	1750499001	0		ROD-STEERING
53	1185803	0		FITTING-GREASE
54	1763859001	0		BRKT-ATTACHMENT

13064 12.5HP HYDRO SUBURBAN TRACTOR (S/N 130640100101)
FRAME, LIFT & STEERING ASSEMBLY

Page 10 of 18

Ref #	Part Number	Qty	S/P/F	Description
55	1186345	0	/P	SCR
56	1186393	0	/P	NUT-HFLK 3/8-16 ZP
57	1758231	0	S	NUT-H/LK 5/8-11
58	1758232	0		SCR-HH 5/8-11X2.25 G5 ZP
59	1750486001	0		ASSM-SPINDLE LH
60	1750490001	0	/P	ASSM-SPINDLE RH
61	1750341	0	S	BUSHING
62	1718086	0	S	STEM-VALVE
63	1185976	0	S	FITTING-GREASE 1/4-28X2.00
64	1757981	0		WHEEL-RED
65	1762254	0	S	TIRE 15X6.00-6RS
66	1742133	0	S	BUSHING
67	1185388	0	S	RING-RET."E".577 ID
68	1701447	0	/P	WASHER-1.25X.765X.049
69	1750494001	0		ASSM-FRONT AXLE
70	1750841001	0		ROD-TIE
71	1742343001	0		FRAME-FRONT
72	1744320	0		GUIDE-BELT
73	1764776	0	/P	CAP-DUST
74	1185830	0	S	WASHER-1.38 X.765X .06 ZP
75	1747320	0		GUIDE-CABLE
76	1100043	0	S	SCR-HH 3/8-16X1.25
77	1756177	0		PULLEY-CABLE
78	1747322	0		SPACER-.75X.40X.51 P/M
79	1747316001	0		BRACKET
80	1747315001	0		BRACKET
82	1185388	0	S	RING-RET."E".577 ID
83	1751715001	0		BRACKET
	1900706	0	S	PAINT-RED SPRAYCAN POWDER

13064 12.5HP HYDRO SUBURBAN TRACTOR (S/N 130640100101)
HYDROSTATIC & BRAKE ASSEMBLY



13064 12.5HP HYDRO SUBURBAN TRACTOR (S/N 130640100101)
HYDROSTATIC & BRAKE ASSEMBLY

Page 12 of 18

Ref #	Part Number	Qty	S/P/F	Description
1	1755883001	0		ASSM-PEDAL
2	1753188	0		BLOCK-PIVOT
3	1185802	0		BEARING-FLANGE
4	1756687001	0		SUPT-HYD PEDAL
5	1107386	0	S	WASHER-1.305X.649X.098 ZP
6	1756166	0		ASSM-CONT {13065/13066}
6	1755880	0		ASSM-CONTROL ARM {13064}
7	1753190	0		SPRING-TORSION
8	1120209	0		PIN-ROLL .188X.75
9	1755878	0		ROD-SPEED CONTROL
9	1755880	0		ASSM-CONTROL ARM {13064}
10	1100049	0	S	SCR-HH 3/8-16X2.25 G5 ZP
11	1107383	0	S	WASHER-FLAT 3/8 SAE
12	1751597	0	/P	BELT
13	1733398	0	S	NUT-LOCK 3/8-16
14	1749904	0		BOLT-EYE
15	1714233	0		BUSHING-.68X.62X.15 FLNG
16	1746942	0		ROD-CLUTCH
17	1751879	0		ASSM-ARM
18	1760321	0		SCR-ADJ
19	1186247	0	S	NUT-JAM
20	1751022	0		SPRING-COMP.
21	1764131	0		LINK-BRAKE
22	1120210	0		PIN-ROLL .188X1.0
23	1751880	0		ASSM-ARM
24	1751063	0		ROD-BRAKE LOCK
25	1755787001	0		SUPPORT-TANK
26	1111610	0	S	SCR-HH 5/16-18X3.0
27	1756049001	0		ASSM-BRAKE PEDAL
28	1100350	0	S	PIN-COTTER .120X1.00 ZP
29	1728694	0	/P	FOOT REST
30	1100359	0		PIN-COTTER .125X.50
31	1751809	0	/P	SPRING-TORSION
32	1715538	0	/P	BUSHING-.5X.5 NYLON FLNG
33	1746941	0		ASSM-IDLER ARM
34	1760096	0	/P	GUIDE-BELT
35	1100086	0	S	SCR-HH 3/8-16X1.75 G5 ZP
36	1756151	0	/P	IDLER
37	1185759	0	/P	PIN-DRIVE .25X3.0 ZP
36	1756144	0		LATCH
39	1185879	0	/P	RIVET-POP
40	1186309	0	/P	SCR-HH 1/4-20X.625
41	1186389	0	/P	NUT-HF/LK 1/4-20 ZP
42	1185689	0		RING-HEAVY EXT HD 1.0 ID
43	1747872	0		WASHER-1.88X1.015X.06 ZP
44	1765605	0		TIRE-REAR
45	1718086	0	S	STEM-VALVE
46	1765608	0		WHEEL-DISC
47	1760193	0		SHEAVE-HYDRO
48	1104337	0	S	KEY-.25 SQ X 1.5
49	1753186	0		ASSM-ADJUSTOR BLOCK
50	1753199	0		ASSM-SPEED CONT ARM
51	1100905	0		KEY-WOODRUFF .125X.5

13064 12.5HP HYDRO SUBURBAN TRACTOR (S/N 130640100101)
HYDROSTATIC & BRAKE ASSEMBLY

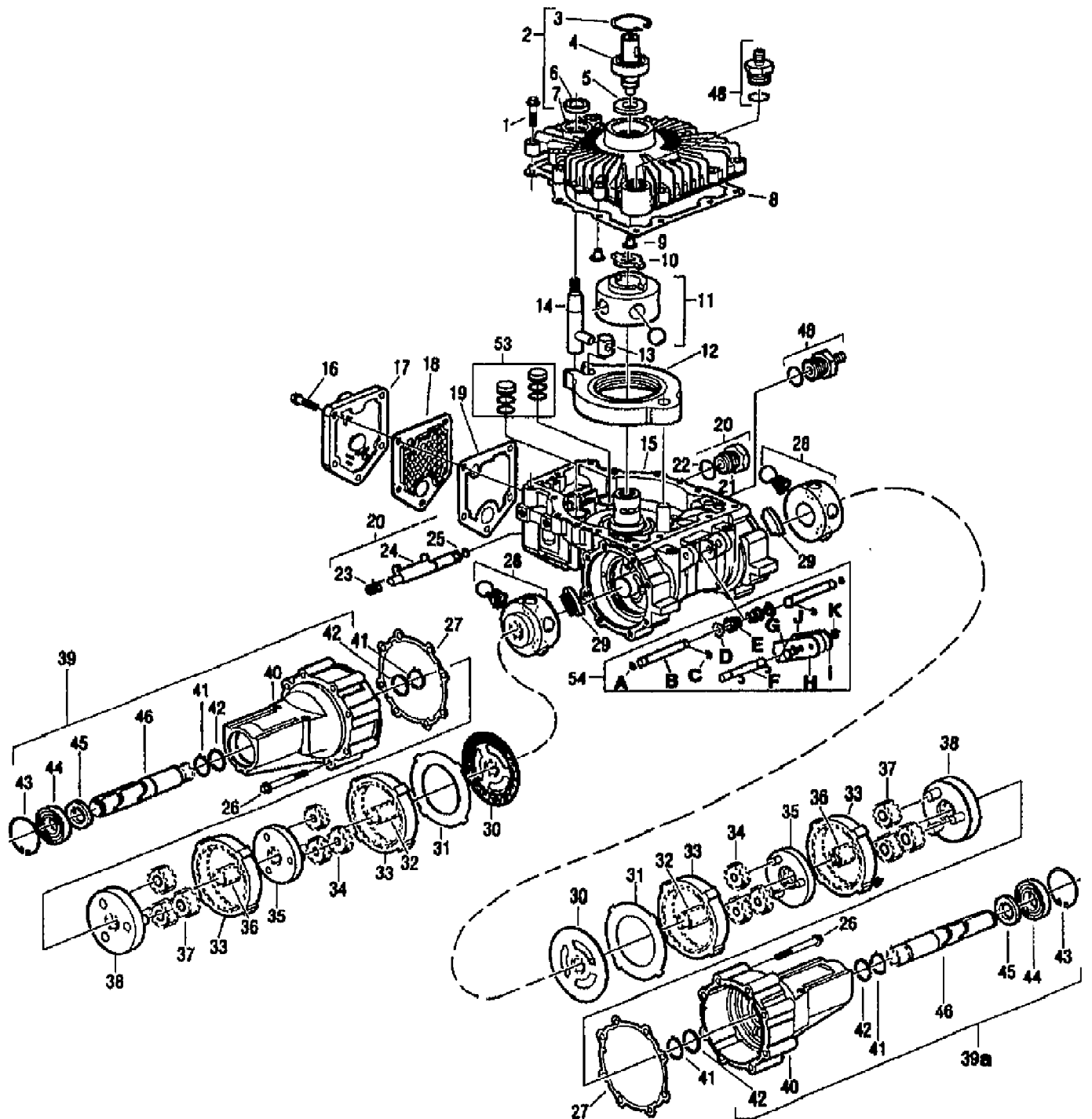
Page 13 of 18

Ref #	Part Number	Qty	S/P/F	Description
52	1753193	0		ASSM-PIVOT SHAFT
54	1185885	0	/P	KEY-WOODRUFF
55	1120209	0		PIN-ROLL .188X.75
56	1761608	0		WASHER-.865X.281X.1793
57	1760370	0	/P	FAN-HYDRO TRANSMISSION
58	1100069	0	S	SCR-HH 1/4-20X1.0
59	1100241	0	S	WASHER-LK .25 ZP
60	1753189	0		PIN-DOWEL .375 X 2.51
61	1186245	0	S	NUT-HEX/JAM 3/8-24 ZP
62	1756175	0		JOINT-BALL
63	1762704	0		ASSM-BRAKE ARM
64	1756627	0		GUIDE
65	1734398	0	S	NUT-HT LK 1/4-20
66	1893445	0	S	WASHER-FLAT
67	1756181001	0		BRKT-INTERLOCK {13065/13066}
67	1755584001	0		BRACKET-INTERLOCK {13064}
68	1729482	0		SPRING
69	1186327	0	/P	SCR-HFLK 5/16-18X.50 ZP
70	1186330	0	S	SCR-LOCK
71	1186391	0	S	NUT-HFLK 5/16-18 ZP
72	1754946001	0		BRACE-TRANSAXLE
73	1747186	0		CAP-PUSH ON
74	1751808	0		ASSM-LEVER SUPP
75	1747166	0	/P	SCR-SET 1/4-28X.38 HXSKT
76	1763170	0		LINK-BRAKE
77	1755929	0		GUIDE-BELT
78	1755930	0		GUIDE-BELT
79	1100045	0	S	SCR-HH 5/16-18X1.0 G5 ZP
81	1100255	0	S	WASHER-FLAT 5/16 SAE
82	1755928	0		BEARING-FLANGED
83	1732499	0	/P	NUT-TOP/LK 5/16-18 ZP
84	1755939	0		ASSM-JACKSHAFT
85	1739919	0		NUT-SPEED
86	1115815	0	S	SCR-TRUSS #10-24 X 5/8
87	1760097	0	/P	PULLEY-IDLER
88	1107385	0	S	WASHER-1.06X.531X.1 ZP
89	1713783	0		SPACER-.62X.406X.56 ZP
90	1747873	0	/P	CAP-WHEEL
91	1177567	0	S	RING-RETAINING
92	1748491	0		PIVOT
93	1754948	0		SHROUD-FAN
94	1100242	0	S	WASHER-LK .312 ZP
95	1755822	0		HOSE-FUEL 18"
96	1756626	0		CLAMP-HOSE
97	1755088	0		ASSM-OIL RESERVOIR
98	1705093	0	S	WASHER-1.0X.64X.029
99	1705092	0	S	WASHER-1.0X.64X.09
100	1100243	0	S	WASHER-LK .375 @ DEPL
101	1701449	0		SHIM-1.25X1.01X.06
102	1762791	0		TRANS-HYDRO
103	1755823	0		HOSE
104	1186396	0		NUT-WHIZ LOCK {NOT 13064}
105	1754675	0	S	ASSM-MAGNET {NOT 13064}

13064 12.5HP HYDRO SUBURBAN TRACTOR (S/N 130640100101)
HYDROSTATIC & BRAKE ASSEMBLY

Page 14 of 18

Ref #	Part Number	Qty	S/P/F	Description
106	1750736	0	/P	SCR-SPECIAL {NOT 13064}
107	1761191	0		NUT-HEX/JAM 3/8-24
109	1762599	0		SUPPORT-SHAFT

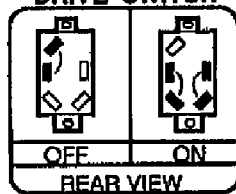


13064 12.5HP HYDRO SUBURBAN TRACTOR (S/N 130640100101)
 HYDROSTATIC DIFFERENTIAL BREAKDOWN

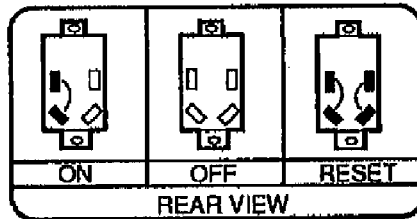
Ref #	Part Number	Qty	S/P/F	Description
	1762791	0		TRANS-HYDRO
4	1760892	0		SHAFT-INPUT
5	1760893	0	S	SEAL-OIL
6	1757374	0		SEAL-CONTROL SHAFT
18	1764020	0		FILTER-INTERNAL
19	1764021	0		GASKET-VALVE COVER
24	1757376	0	/P	BRACKET
25	1757377	0		RING-O
44	1757700	0		BEARING

ITEM CODE	
1	Magneto
2	Alternator
3	Fuel Solenoid
4	Headlights
5	Attachment Clutch
7	Starter
10	Connector
11	Battery
12	Fuse
13	Start Solenoid
14	Seat Switch
15	Brake Switch
17	Key Switch
18	Light Switch
19	Attachment Switch
20	Attachment Light
21	Start Light
22	Voltage Sensor
23	Voltage Sensor Light
29	Accessory Socket
30	Accessory Plug
31	Cruise Light
32	Cruise Switch
33	Cruise Relay
34	Cruise/Brake Switch
35	Cruise Magnet

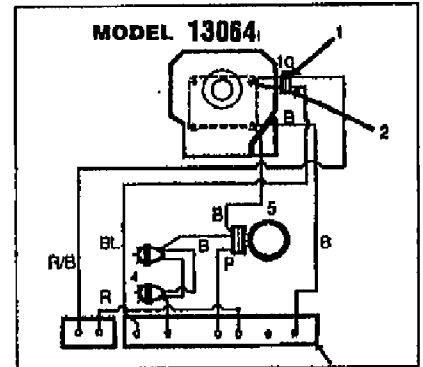
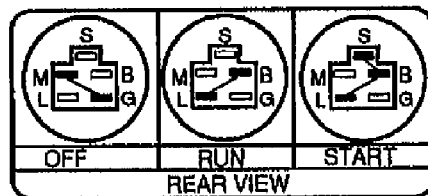
ATTACHMENT DRIVE SWITCH



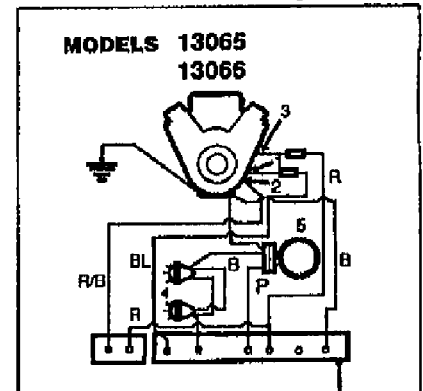
CRUISE SWITCH



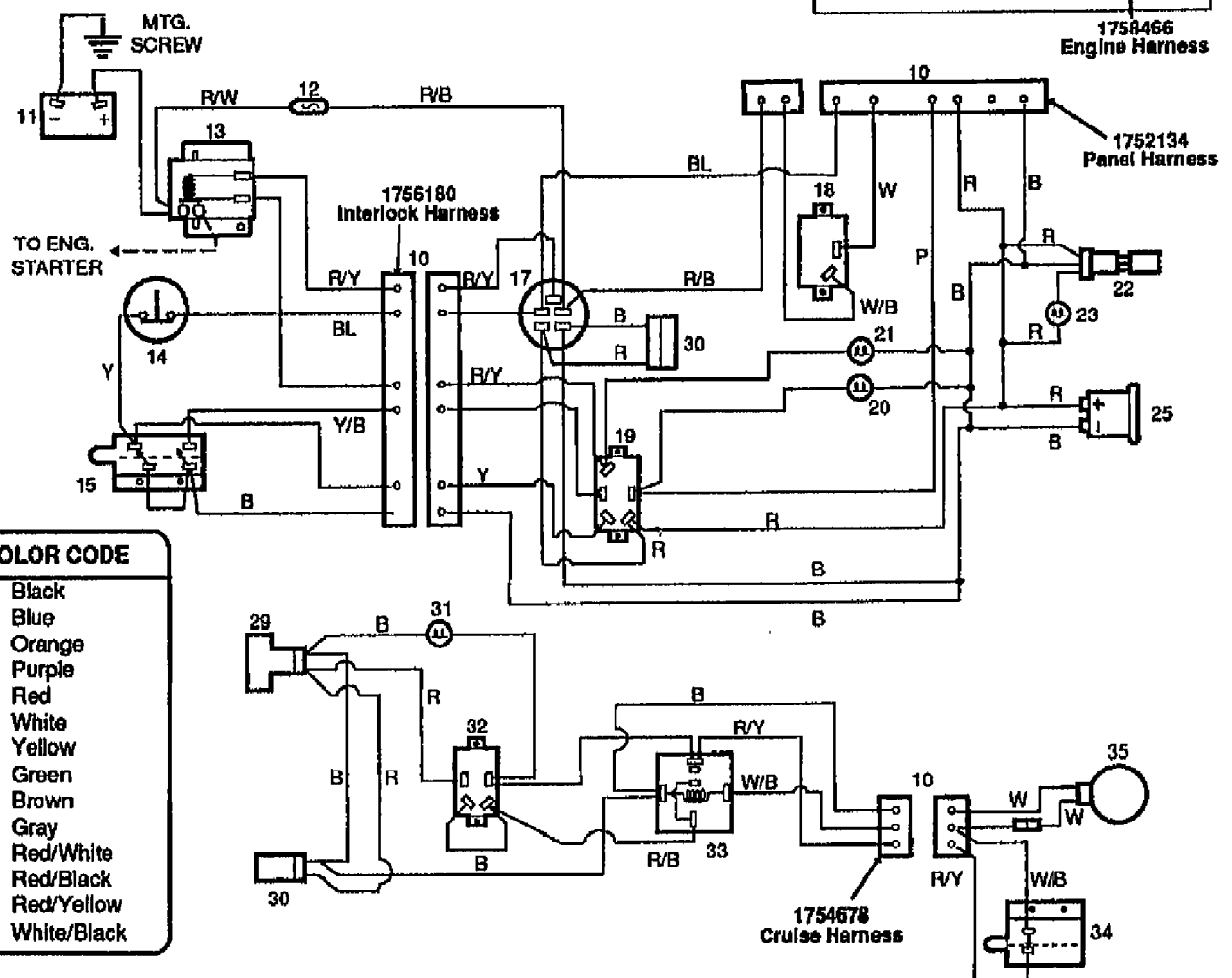
IGNITION SWITCH



1753862 Engine Harness



1754466 Engine Harness



WIRE COLOR CODE

B	Black
BL	Blue
O	Orange
P	Purple
R	Red
W	White
Y	Yellow
GN	Green
BR	Brown
GR	Gray
R/W	Red/White
R/B	Red/Black
R/Y	Red/Yellow
W/B	White/Black

Ref #	Part Number	Qty	S/P/F	Description
	1753862	0		ENGINE HARNESS
	1758466	0		HARNESS-ENGINE {13065/13066}
	1756180	0		HARNESS-INTERLOCK
	1754678	0		HARNESS-CRUISE
	1752134	0		HARNESS-CONSOLE WIRING