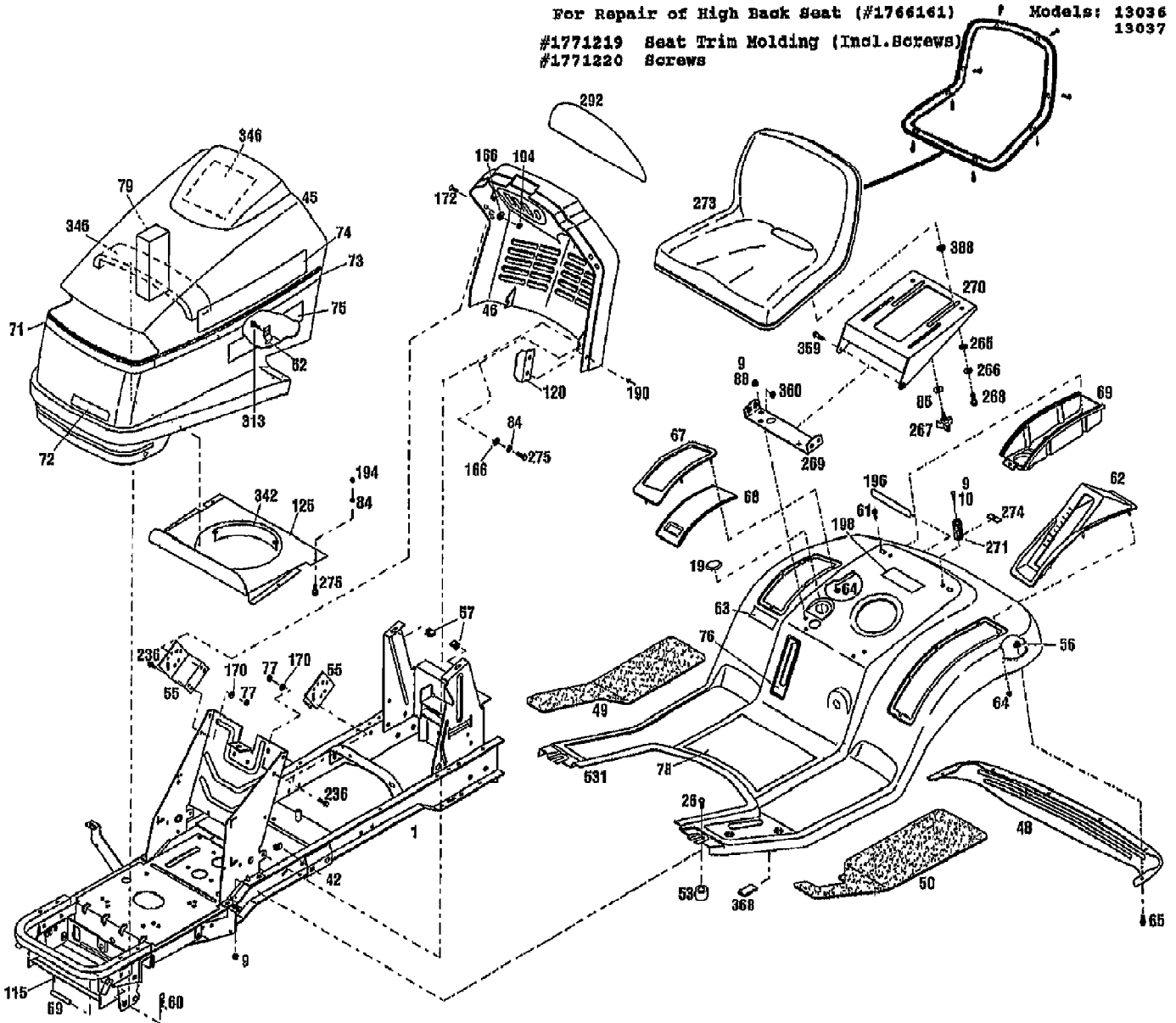


13037 16HP GEAR DRIVE TRACTOR (S/N 130370100101)
BODYWORK & TRIM ASSEMBLY

For Repair of High Back Seat (#1766161) Models: 13036
#1771219 Seat Trim Molding (Incl.Screws) 13037
#1771220 Screws



1900706 Red Spray Paint, 13 oz. Can

13037 16HP GEAR DRIVE TRACTOR (S/N 130370100101)
BODYWORK & TRIM ASSEMBLY

Page 2 of 21

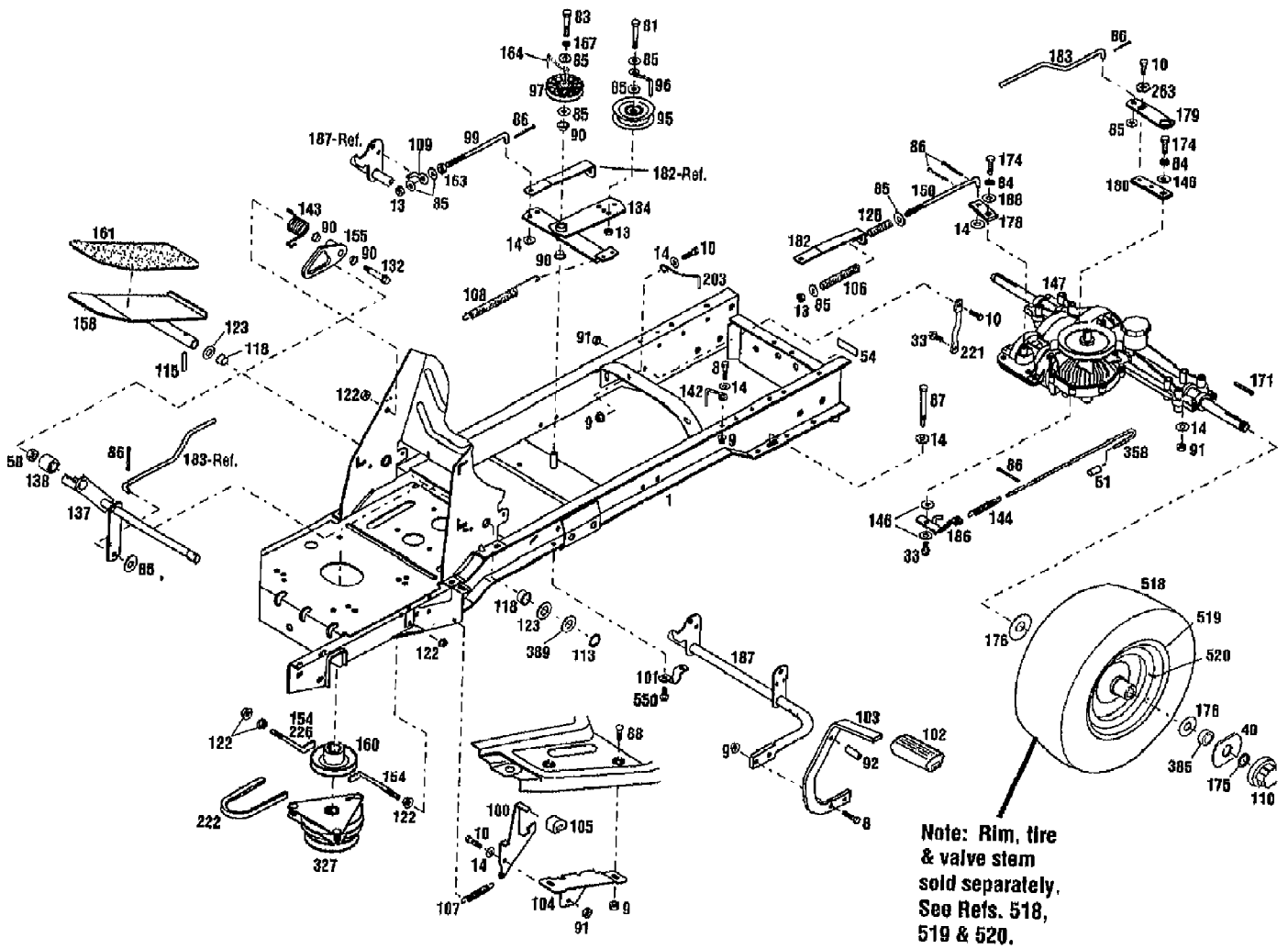
| Ref # | Part Number | Qty | S/P/F | Description |
|-------|-------------|-----|-------|------------------------------|
| 1 | 1765435001 | 0 | S | ASSM-FRAME LTX |
| 9 | 1186391 | 0 | S | NUT-HFLK 5/16-18 ZP |
| 10 | 1100044 | 0 | S | SCR-HHC 5/16-18X.75 GR 5 ZP |
| 19 | 1768787 | 0 | | PLUG 2.50 |
| 26 | 1186100 | 0 | /P | SCR-CARR 5/16-18X1.0 G2 ZP |
| 42 | 1185893 | 0 | /P | NUT-SPEED |
| 45 | 1765382 | 0 | | HOOD-TRACTOR |
| 46 | 1765376 | 0 | | CONSOLE |
| 48 | 1765331010 | 0 | | TRIM-FENDER REAR |
| 49 | 1765370 | 0 | | PAD-FOOT RH |
| 50 | 1765371 | 0 | S | PAD-FOOT LH |
| 52 | 1765384 | 0 | | LATCH |
| 53 | 1730681 | 0 | /P | SPACER-TUBULAR |
| 55 | 1768775001 | 0 | | BRKT-MOUNTING |
| 56 | 1186389 | 0 | /P | NUT-HF/LK 1/4-20 ZP |
| 57 | 1761680 | 0 | S | NUT-SELF RETAIN 5/16-18 |
| 59 | 1765497 | 0 | | PIN-PIVOT HOOD |
| 60 | 1723478 | 0 | /P | PIN-HITCH .125X2.56 ZP |
| 61 | 1186330 | 0 | S | SCR-LOCK |
| 62 | 1766139 | 0 | S | COVER-LIFT HANDLE |
| 63 | 1901900 | 0 | /P | DECAL-AMERICAN LEGEND-LRG |
| 64 | 1750532 | 0 | S | NUT-SELF THREADING |
| 65 | 1186309 | 0 | /P | SCR-HH 1/4-20X.625 |
| 67 | 1765493 | 0 | | TOP-STORAGE COVER |
| 68 | 1765492 | 0 | | COVER-CONTAINER |
| 69 | 1765494 | 0 | | CONTAINER-STORAGE |
| 71 | 1766383 | 0 | | DECAL-STRIPE HOOD FRONT |
| 72 | 1759101 | 0 | | DECAL-LOGO |
| 73 | 1766382 | 0 | | DECAL-STRIPE SIDE |
| 74 | 1767886 | 0 | /P | DECAL-LOGO TROY-BILT |
| 75 | 1767813 | 0 | | DECAL-MODEL 13035 {13035} |
| 75 | 1767814 | 0 | | DECAL-MODEL 13036 {13036} |
| 75 | 1766388 | 0 | | DECAL-MODEL 13039 {13037} |
| 76 | 1766140 | 0 | | DECAL-FUEL LEVEL |
| 77 | 1186230 | 0 | S | NUT-HEX 5/16-18 ZP |
| 78 | 1766142 | 0 | | DECAL-OPER INST |
| 79 | 1768829 | 0 | | BLOCK-SEALING {13037} |
| 84 | 1100241 | 0 | S | WASHER-LK .25 ZP |
| 85 | 1107383 | 0 | S | WASHER-FLAT 3/8 SAE |
| 88 | 1186097 | 0 | S | SCR-CARR 5/16-18X.62 G2 ZP |
| 115 | 1120210 | 0 | | PIN-ROLL .188X1.0 |
| 120 | 1768828001 | 0 | | BRKT-HOOD ALIGN |
| 125 | 1767873001 | 0 | | SHIELD-HEAT UPPER |
| 166 | 1720883 | 0 | /P | WASHER-FLAT 1.25X.28X.062 ZP |
| 170 | 1100242 | 0 | S | WASHER-LK .312 ZP |
| 172 | 1816081 | 0 | | SCR |
| 190 | 1739918 | 0 | | RIVET-POP |
| 194 | 1186229 | 0 | S | NUT-HEX 1/4-20 ZP |
| ?196 | 1759102 | 0 | | DECAL-LOGO FENDER |
| 198 | 1767876 | 0 | | DECAL-FUEL |
| 236 | 1186329 | 0 | S | SCR-HFLK 5/16-18X.75 ZP |
| 265 | 1705793 | 0 | | WASHER-1.06X.51X.09 NYLON |
| 266 | 1706782 | 0 | /P | WASHER-BOW .74X.52X.01 |

13037 16HP GEAR DRIVE TRACTOR (S/N 130370100101)
BODYWORK & TRIM ASSEMBLY

Page 3 of 21

| Ref # | Part Number | Qty | S/P/F | Description |
|-------|-------------|-----|-------|--|
| 267 | 1734269 | 0 | | KNOB |
| 268 | 1754125 | 0 | /P | SCR-SHLDR 3/8-16X.25 G5ZP |
| 269 | 1766075001 | 0 | | BRKT-SUPPORT SEAT |
| 270 | 1766074001 | 0 | /P | SUPPORT-SEAT |
| 271 | 1766077 | 0 | /P | SPRING-COMPRESSION |
| 273 | 1766160 | 0 | | KIT-SEAT (TRACTOR) {13035} |
| 273 | 1766161 | 0 | | KIT-SEAT (TRACTOR) {13036/037} |
| 274 | 1766347 | 0 | /P | BRKT-SPRING HOLD DOWN |
| 275 | 1111599 | 0 | S | SCR-HH 1/4-20X.625 G5 ZP |
| 292 | 1766349 | 0 | | LENS-INSTRMTS WARN LIGHTS {13035/036} |
| 292 | 1764887 | 0 | | LENS-INSTRMTS WARN LIGHTS {13037} |
| 313 | 1185712 | 0 | | SCR |
| 342 | 1767897 | 0 | | GASKET-HEAT SHIELD |
| 345 | 1767898 | 0 | | STRIP-SEALING |
| 346 | 1765397 | 0 | | DECAL-SERVICE |
| 359 | 1100913 | 0 | S | SCR-HH 3/8-16X.88 G5 ZP |
| 360 | 1110108 | 0 | S | NUT-H/LK 3/8-16 |
| 368 | 1767995 | 0 | | PAD |
| 388 | 1893445 | 0 | S | WASHER-FLAT |
| 531 | 1768716 | 0 | | FENDER-RED W/DECALS |
| | 1900706 | 0 | S | PAINT-RED SPRAYCAN POWDER |
| | 1771219 | 0 | | KIT-SEAT TRIM |
| | 1771220 | 0 | | SCR-SEAT RING |

13037 16HP GEAR DRIVE TRACTOR (S/N 130370100101)
DRIVELINE/HYDRO TRANSMISSION ASSEMBLY



- 600 Black Spray Paint, 13 oz. (order part number 1735222)
- 601 Red Spray Paint, 13 oz. (order part number 1980706)

13037 16HP GEAR DRIVE TRACTOR (S/N 130370100101)
DRIVELINE/HYDRO TRANSMISSION ASSEMBLY

Page 5 of 21

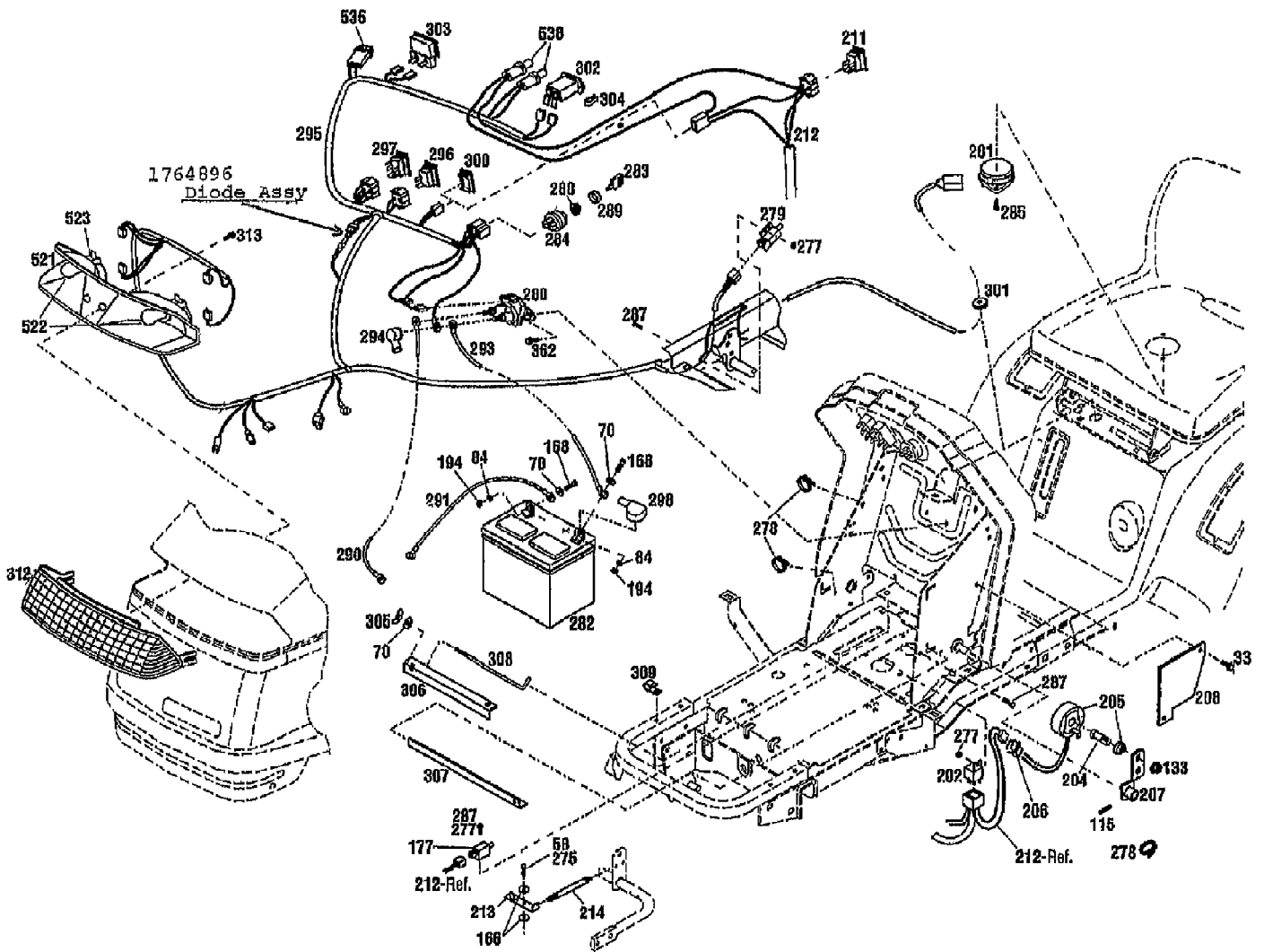
| Ref # | Part Number | Qty | S/P/F | Description |
|-------|-------------|-----|-------|-------------------------------|
| 1 | 1765435001 | 0 | S | ASSM-FRAME LTX |
| 8 | 1100045 | 0 | S | SCR-HH 5/16-18X1.0 G5 ZP |
| 9 | 1186391 | 0 | S | NUT-HFLK 5/16-18 ZP |
| 10 | 1100044 | 0 | S | SCR-HHC 5/16-18X.75 GR 5 ZP |
| 13 | 1733398 | 0 | S | NUT-LOCK 3/8-16 |
| 14 | 1107382 | 0 | /P | WASHER-FLAT 5/16 SAE |
| 33 | 1766984 | 0 | /P | SCR-HFLK 5/16-18X.75 |
| 40 | 1766241 | 0 | /P | WASHER-SPEC .75X2.50 |
| 51 | 1767984 | 0 | | GRIP-HANDLE |
| 54 | 1767967 | 0 | | DECAL-TRANS RELEASE |
| 58 | 1734398 | 0 | S | NUT-HT LK 1/4-20 |
| 81 | 1100048 | 0 | S | SCR-HH 3/8-16X2.0 G5 ZP |
| 83 | 1100086 | 0 | S | SCR-HH 3/8-16X1.75 G5 ZP |
| 84 | 1100241 | 0 | S | WASHER-LK .25 ZP |
| 85 | 1107383 | 0 | S | WASHER-FLAT 3/8 SAE |
| 86 | 1100346 | 0 | S | PIN-COTTER .09X.75 ZP |
| 87 | 1111609 | 0 | S | SCR-HH 5/16-18X2.75 G5 ZP |
| 88 | 1186097 | 0 | S | SCR-CARR 5/16-18X.62 G2 ZP |
| 90 | 1715538 | 0 | /P | BUSHING-.5X.5 NYLON FLNG |
| 91 | 1732499 | 0 | /P | NUT-TOP/LK 5/16-18 ZP |
| 92 | 1733103 | 0 | /P | PIN-.312X.75 |
| 95 | 1756151 | 0 | /P | IDLER |
| 96 | 1760096 | 0 | /P | GUIDE-BELT |
| 97 | 1760097 | 0 | /P | PULLEY-IDLER |
| 99 | 1765044 | 0 | | ROD-CLUTCH |
| 100 | 1765096 | 0 | | LATCH-BRAKE CLUTCH USE1771514 |
| 101 | 1765156 | 0 | | CLIP-CLAMP .75 ID |
| 102 | 1765167 | 0 | | PAD-FOOT PEDAL |
| ?103 | 1765252 | 0 | | PEDAL-BRAKE |
| 104 | 1765257 | 0 | | BRKT-BRAKE LOCK |
| 105 | 1765297 | 0 | | PAD-BRAKE |
| 106 | 1765305 | 0 | | SPRING-COMPRESSION |
| 107 | 1985140 | 0 | | SPRING-EXTENSION |
| 108 | 1765402 | 0 | /P | SPRING-EXTENSION |
| 109 | 1765461 | 0 | | ROD-PIVOT |
| 110 | 1766215 | 0 | | CAP-HUB |
| 113 | 1118808 | 0 | /P | RING-RETAIN .625 ID |
| 115 | 1120210 | 0 | | PIN-ROLL .188X1.0 |
| 118 | 1185802 | 0 | | BEARING-FLANGE |
| 122 | 1186393 | 0 | /P | NUT-HFLK 3/8-16 ZP |
| 123 | 1715301 | 0 | /P | WASHER-1.115X.637X.06 |
| ?126 | 1713075 | 0 | | SPRING |
| 132 | 1763219 | 0 | /P | SCR-SHLDR 3/8-16 |
| 134 | 1765064 | 0 | /P | ARM-IDLER |
| 137 | 1765079 | 0 | | SHAFT-HYDRO PIVOT |
| 138 | 1767807 | 0 | /P | BEARING-BALL |
| 142 | 1985919 | 0 | | GUIDE-BELT |
| 143 | 1765306 | 0 | | SPRING-TORSION |
| 144 | 1720928 | 0 | | SPRING |
| 146 | 1100255 | 0 | S | WASHER-FLAT 5/16 SAE |
| 147 | 1766166 | 0 | S | TRANSAXLE-HYDRO |
| 150 | 1766162 | 0 | | ROD-BRAKE |
| 154 | 1766025 | 0 | /P | RETAINER-CLUTCH {13035/036} |

13037 16HP GEAR DRIVE TRACTOR (S/N 130370100101)
DRIVELINE/HYDRO TRANSMISSION ASSEMBLY

Page 6 of 21

| Ref # | Part Number | Qty | S/P/F | Description |
|-------|-------------|-----|-------|------------------------------|
| 154 | 1765482 | 0 | /P | RETAINER-CLUTCH {13037} |
| 155 | 1766015 | 0 | | ARM-RETURN NEUTRAL HYDRO |
| 158 | 1766085001 | 0 | | ASSM-PEDAL HYDRO |
| 160 | 1766201 | 0 | | PULLEY-ENGINE |
| 161 | 1766202 | 0 | /P | PAD-FOOT PEDAL |
| 163 | 1186231 | 0 | S | NUT-HEX 3/8-16 ZP |
| ?164 | 1767900 | 0 | | GUIDE-BELT |
| 167 | 1100243 | 0 | S | WASHER-LK .375 @ DEPL |
| 171 | 1983110 | 0 | /P | KEY-3/16X3/16X1 3/4 |
| 174 | 1111683 | 0 | S | SCR-HHC 1.4-28 X .50 |
| 175 | 1185388 | 0 | S | RING-RET."E".577 ID |
| 176 | 1747998 | 0 | | WASHER-1.87X.765X.06 SPECIAL |
| 178 | 1766132 | 0 | | BRAKE-ARM |
| 179 | 1766157 | 0 | | ARM-CONTROL |
| 180 | 1766159 | 0 | | ARM-HYDRO |
| 182 | 1766164 | 0 | | BRACKET-BRAKE |
| 183 | 1766165 | 0 | | ROD-HYDRO CTRL |
| 186 | 1767904 | 0 | | BRACKET-DUMP VALVE |
| 187 | 1765061 | 0 | | ASSM-BRAKE PEDAL |
| ?188 | 1768866 | 0 | | WASHER-FLAT .25 DIA |
| 203 | 1767966 | 0 | | GUIDE-BELT |
| 221 | 1766172 | 0 | | SUPT-TRANSAXLE |
| 222 | 1765339 | 0 | /P | BELT-V |
| 226 | 1766153 | 0 | | GUIDE-BELT {13035/036} |
| 263 | 1185714 | 0 | | WASHER-LK .312 PYRAMIDAL |
| 327 | 1755341 | 0 | S | CLUTCH-ELECTRIC |
| 358 | 1767907 | 0 | /P | ROD-DUMP VALVE |
| 385 | 1745489 | 0 | | SPACER-1.0X.766X.413 |
| 389 | 1705093 | 0 | S | WASHER-1.0X.64X.029 |
| 518 | 1766275 | 0 | | TIRE-20X8.00-10 |
| 519 | 1765607 | 0 | /P | WHEEL-REAR |
| 520 | 1718086 | 0 | S | STEM-VALVE |
| 550 | 1724491 | 0 | S | SCR-HFLK 5/16-18X.75 |
| 600 | 1735222 | 0 | /P/F | PAINT-BLACK SPRAY |
| 601 | 1900706 | 0 | S/F | PAINT-RED SPRAYCAN POWDER |
| 128 | | 0 | | UNKNOWN |
| 168 | | 0 | | UNKNOWN |

13037 16HP GEAR DRIVE TRACTOR (S/N 130370100101)
ELECTRICAL ASSEMBLY



13037 16HP GEAR DRIVE TRACTOR (S/N 130370100101)
ELECTRICAL ASSEMBLY

Page 8 of 21

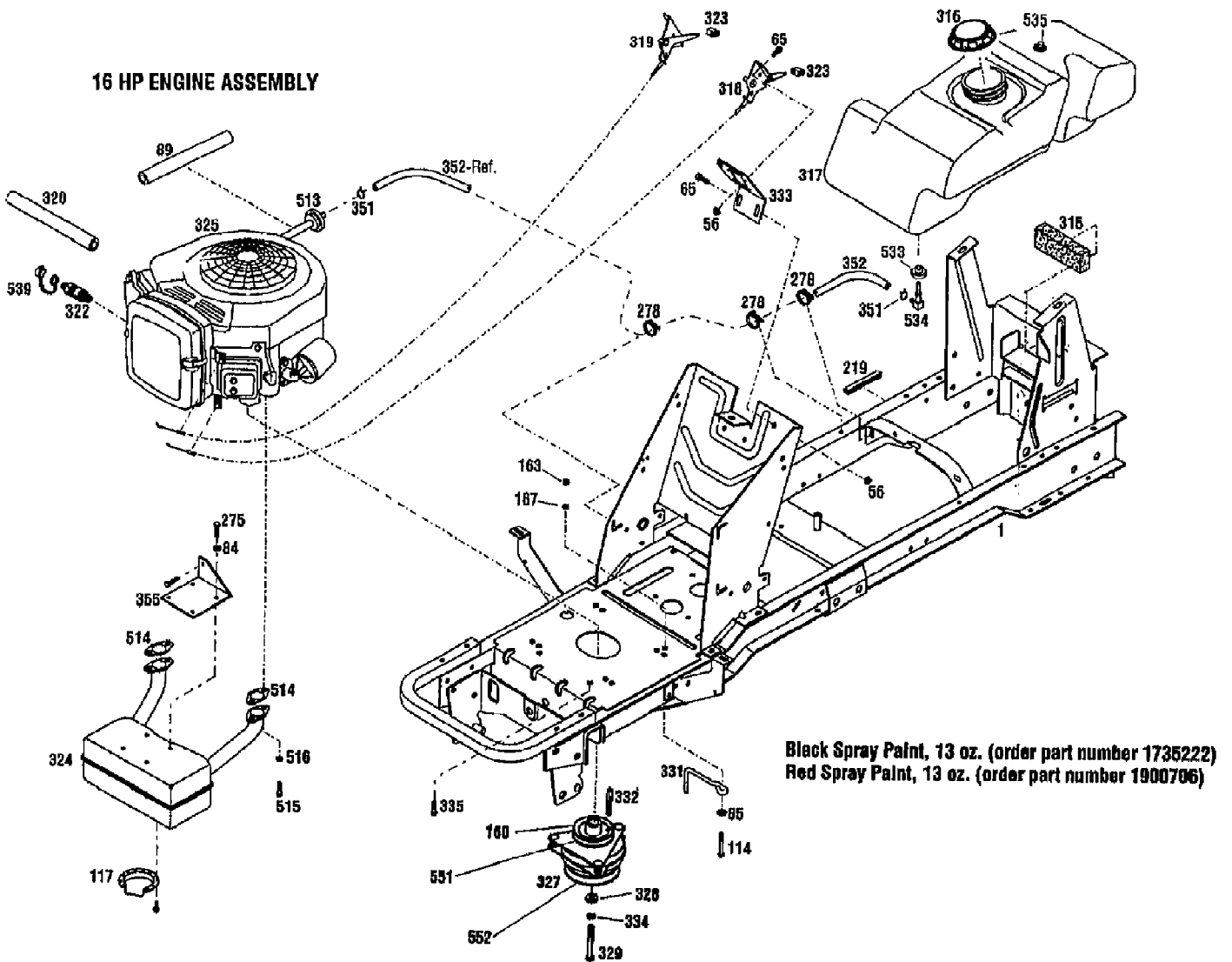
| Ref # | Part Number | Qty | S/P/F | Description |
|-------|-------------|-----|-------|--------------------------------------|
| 33 | 1766984 | 0 | /P | SCR-HFLK 5/16-18X.75 {13037} |
| 58 | 1734398 | 0 | S | NUT-HT LK 1/4-20 {13037} |
| 70 | 1107381 | 0 | S | WASHER-FLAT 1/4 SAE |
| 84 | 1100241 | 0 | S | WASHER-LK .25 ZP |
| 115 | 1120210 | 0 | | PIN-ROLL .188X1.0 {13037} |
| 133 | 1186396 | 0 | | NUT-WHIZ LOCK {13037} |
| 166 | 1720883 | 0 | /P | WASHER-FLAT 1.25X.28X.062 ZP {13037} |
| 168 | 1100805 | 0 | S | SCR-HH 1/4-20X.75 G5 ZP |
| 177 | 1748723 | 0 | /P | SWITCH {13037} |
| 194 | 1186229 | 0 | S | NUT-HEX 1/4-20 ZP |
| 202 | 1749907 | 0 | /P | RELAY-SPEED CONTROL {13037} |
| 204 | 1750736 | 0 | /P | SCR-SPECIAL {13037} |
| 205 | 1754675 | 0 | S | ASSM-MAGNET {13037} |
| 206 | 1767852 | 0 | | PIN-TERM HOUSING {13037} |
| 207 | 1766290 | 0 | | ARM-CRUISE {13037} |
| 208 | 1766334 | 0 | | PLATE-CRUISE {13037} |
| 211 | 1766350 | 0 | /P | SWITCH-CRUISE {13037} |
| 212 | 1766351 | 0 | | HARNESS-CRUISE {13037} |
| 213 | 1767803 | 0 | | ARM-CRUISE {13037} |
| 214 | 1767822 | 0 | | SPRING {13037} |
| 277 | 1185985 | 0 | S | NUT W/LKWASHER 10-24 ZP |
| 278 | 1735531 | 0 | S | TIE-CABLE NYLON BLACK |
| 279 | 1751328 | 0 | S | SWITCH |
| 280 | 1752137 | 0 | S | SOLENOID |
| 281 | 1752506 | 0 | /P | SWITCH-SEAT |
| 282 | 1751497 | 0 | S | BATTERY {13035/036} |
| 282 | 1752840 | 0 | | BATTERY {13037} |
| 283 | 1753986 | 0 | /P | KEY-IGNITION |
| 284 | 1754250 | 0 | S | SWITCH-IGNITION |
| 285 | 1755349 | 0 | | SCR-PHP 1/4-20X.50 ZP |
| 287 | 1758070 | 0 | S | SCR-HHS 10-24X.625 ZP |
| 288 | 1758146 | 0 | S | NUT-SWITCH |
| 289 | 1758147 | 0 | S | CAP-SWITCH |
| ?290 | 1764898 | 0 | S | CABLE-STARTER |
| 291 | 1764886 | 0 | | CABLE-BATTERY (-) |
| 293 | 1764888 | 0 | | CABLE-BATTERY |
| ?294 | 1764890 | 0 | | BOOT-SOLENOID |
| 295 | 1764892 | 0 | | HARNESS-MAIN {13035} |
| 295 | 1767842 | 0 | | HARNESS-MAIN WIRING {13036} |
| 295 | 1764893 | 0 | | HARNESS-MAIN ELECTRICAL {13037} |
| 296 | 1764894 | 0 | | SWITCH-LIGHT |
| 297 | 1764895 | 0 | S | SWITCH-PTO |
| 298 | 1764899 | 0 | | BOOT-TERMINAL |
| 300 | 1766184 | 0 | | COVER-SWITCH {13035/036} |
| 301 | 1766264 | 0 | | GROMMET |
| 302 | 1764883 | 0 | | METER-HOUR {13037} |
| 303 | 1764884 | 0 | | AMMETER {13037} |
| 304 | 1766185 | 0 | | CLIP-TINNERMAN {13037} |
| 305 | 1709652 | 0 | | NUT-WING |
| 306 | 1765258001 | 0 | S | CLAMP-BATTERY |
| 307 | 1765444001 | 0 | | BRKT-BATTERY LOWER |
| 308 | 1766163 | 0 | S | SCR-HOOK |
| 309 | 1747738 | 0 | /P | CLIP-J |

13037 16HP GEAR DRIVE TRACTOR (S/N 130370100101)
ELECTRICAL ASSEMBLY

Page 9 of 21

| Ref # | Part Number | Qty | S/P/F | Description |
|-------|-------------|-----|-------|--------------------------------|
| 312 | 1765400 | 0 | /P | LENSE-HEADLIGHT |
| 313 | 1185712 | 0 | | SCR |
| 362 | 1724492 | 0 | | SCR 1/4-20X.5 FL SELF TAP |
| 521 | 1768803 | 0 | S | HEADLGT-REFL (PART OF 1772002) |
| 522 | 1752872 | 0 | S | LIGHTBULB |
| 523 | 1752875 | 0 | | SOCKET |
| 536 | 1768969 | 0 | S | FUSE |
| 538 | 1764897 | 0 | S | LIGHTBULB |
| | 1764896 | 0 | | ASSM-DIODE |
| 29 | | 0 | | UNKNOWN |

13037 16HP GEAR DRIVE TRACTOR (S/N 130370100101)
ENGINE ASSEMBLY

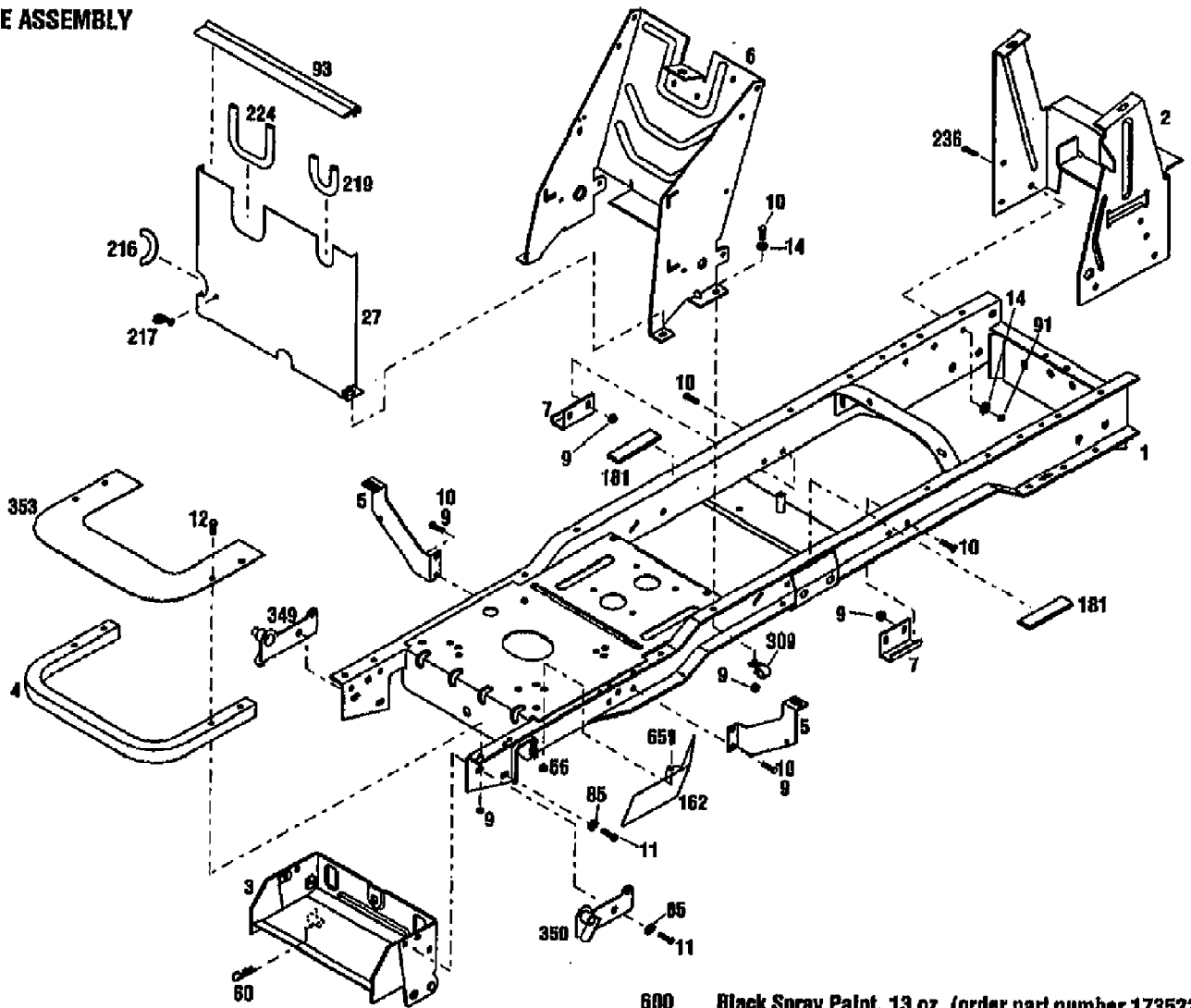


13037 16HP GEAR DRIVE TRACTOR (S/N 130370100101)
ENGINE ASSEMBLY

Page 11 of 21

| Ref # | Part Number | Qty | S/P/F | Description |
|-------|-------------|-----|-------|------------------------------|
| 1 | 1765435001 | 0 | S | ASSM-FRAME LTX |
| 56 | 1186389 | 0 | /P | NUT-HF/LK 1/4-20 ZP |
| 65 | 1186309 | 0 | /P | SCR-HH 1/4-20X.625 |
| 84 | 1100241 | 0 | S | WASHER-LK .25 ZP |
| 85 | 1107383 | 0 | S | WASHER-FLAT 3/8 SAE |
| 89 | 1768830 | 0 | | INSULATION-FUEL LINE |
| 114 | 1768194 | 0 | S | SCR-THRD FRM 3/8-16X1.50 |
| 117 | 1758940 | 0 | S | DEFLECTOR-MUFFLER |
| 160 | 1766201 | 0 | | PULLEY-ENGINE |
| 163 | 1186231 | 0 | S | NUT-HEX 3/8-16 ZP |
| ?167 | 1100243 | 0 | S | WASHER-LK .375 @ DEPL |
| 219 | 1752694 | 0 | | TRIM |
| 275 | 1111599 | 0 | S | SCR-HH 1/4-20X.625 G5 ZP |
| 278 | 1735531 | 0 | S | TIE-CABLE NYLON BLACK |
| 315 | 1766341 | 0 | | PAD-FUEL TANK |
| 316 | 1766188 | 0 | /P | CAP-FUEL |
| 317 | 1765404 | 0 | | TANK-FUEL |
| 318 | 1758800 | 0 | S | CONTROL-CHOKE |
| 319 | 1755926 | 0 | S | THROTTLE-CONTROL |
| 320 | 1769006 | 0 | S | HOSE-OIL DRAIN |
| 322 | 1768865 | 0 | S | ASSM-OIL VALVE |
| 323 | 1766121 | 0 | /P | KNOB |
| 324 | 1766299 | 0 | | MUFFLER |
| 325 | 0 | 0 | F | ENGINE, 16HP, MODEL 303777 |
| 327 | 1755341 | 0 | S | CLUTCH-ELECTRIC |
| 328 | 1744455 | 0 | /P | WASHER-SPEC 1.42X.468X.25 ZP |
| 329 | 1767165 | 0 | S | SCR-HH 7/16-20X3.00 |
| 331 | 1754787 | 0 | /P | CLUTCH-RETAINER |
| 332 | 1748146 | 0 | | KEY-.25 SQ X 2.5 |
| 333 | 1766119001 | 0 | | BRKT-MOUNTING CONTROL |
| 334 | 1100244 | 0 | S | WASHER-LK .438 ZP |
| 335 | 1762042 | 0 | | SCR-HH 3/8-16X1.0 THDFM |
| 351 | 1750687 | 0 | S | CLAMP-HOSE |
| 352 | 1767879 | 0 | | LINE-FUEL |
| 355 | 1767903001 | 0 | | BRKT-MUFFLER |
| 513 | 1727491 | 0 | S | FILTER-FUEL |
| 514 | 0 | 0 | F | MUFFLER GASKET |
| 515 | 1100069 | 0 | S | SCR-HH 1/4-20X1.0 |
| 516 | 1100241 | 0 | S | WASHER-LK .25 ZP |
| 533 | 1738433 | 0 | S | BUSHING-RUBBER |
| 534 | 1751477 | 0 | S | ELBOW-90 DEG (FUEL LINE) |
| 535 | 1768804 | 0 | S | VENT-FUEL TANK |
| 539 | 1766326 | 0 | | CAP-OIL DRAIN |
| 551 | 1724194 | 0 | | BEARING-UPPER CLUTCH |
| 552 | 1754156 | 0 | /P | BEARING-CLUTCH LOWER |

FRAME ASSEMBLY



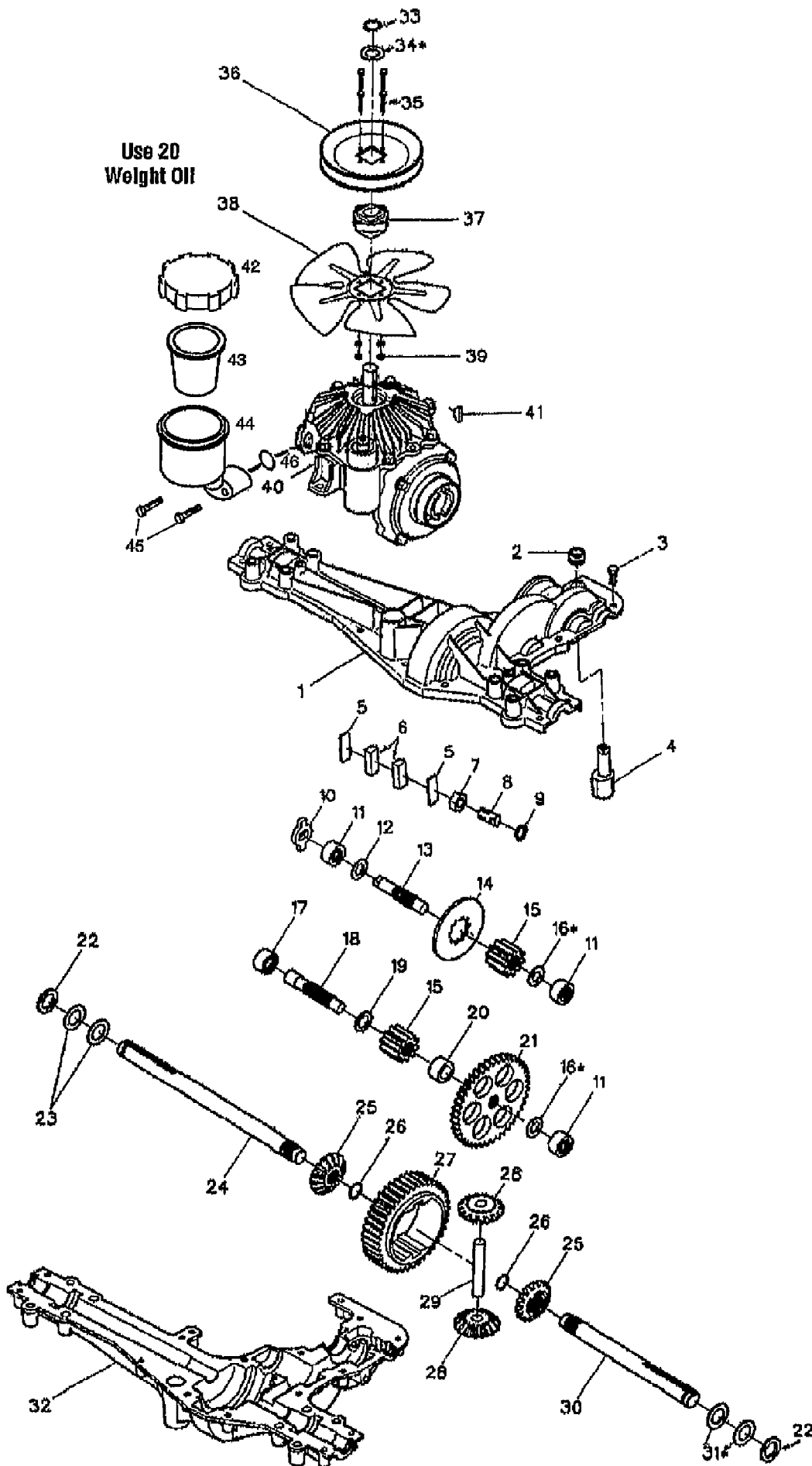
- 600 Black Spray Paint, 13 oz. (order part number 1735222)
- 601 Red Spray Paint, 13 oz. (order part number 1900706)

13037 16HP GEAR DRIVE TRACTOR (S/N 130370100101)
FRAME ASSEMBLY

Page 13 of 21

| Ref # | Part Number | Qty | S/P/F | Description |
|-------|-------------|-----|-------|-----------------------------|
| 1 | 1765435001 | 0 | S | ASSM-FRAME LTX |
| 2 | 1766050001 | 0 | | SUPPORT-REAR TANK |
| 3 | 1766082001 | 0 | | ASSM-BRKT ATTACHMENT |
| 4 | 1766336001 | 0 | | BUMPER-FRONT |
| 5 | 1765431001 | 0 | | SUPPORT-FENDER |
| 6 | 1765446001 | 0 | | SUPPORT-CONSOLE |
| 9 | 1186391 | 0 | S | NUT-HFLK 5/16-18 ZP |
| 10 | 1100044 | 0 | S | SCR-HHC 5/16-18X.75 GR 5 ZP |
| 11 | 1100046 | 0 | S | SCR-HH 3/8-16X1.0 G5 ZP |
| 12 | 1100779 | 0 | S | SCR-HH 5/16-18X1.75 |
| 14 | 1107382 | 0 | /P | WASHER-FLAT 5/16 SAE |
| 27 | 1768826001 | 0 | | SHIELD-HEAT |
| 56 | 1186389 | 0 | /P | NUT-HF/LK 1/4-20 ZP |
| 60 | 1723478 | 0 | /P | PIN-HITCH .125X2.56 ZP |
| 65 | 1186309 | 0 | /P | SCR-HH 1/4-20X.625 |
| ?85 | 1107383 | 0 | S | WASHER-FLAT 3/8 SAE |
| 91 | 1732499 | 0 | /P | NUT-TOP/LK 5/16-18 ZP |
| 93 | 1768834 | 0 | | GASKET-HEAT SHIELD {13037} |
| 162 | 1767874001 | 0 | | SHIELD-HEAT UPPER |
| 181 | 1767883 | 0 | | PAD |
| 216 | 1768835 | 0 | | TRIM {13037} |
| 217 | 1745366 | 0 | | HANGER-CABLE {13037} |
| 219 | 1752694 | 0 | | TRIM {13037} |
| 224 | 1768840 | 0 | | TRIM-HEAT SHIELD {13037} |
| 236 | 1186329 | 0 | S | SCR-HFLK 5/16-18X.75 ZP |
| 309 | 1747738 | 0 | /P | CLIP-J |
| 349 | 1767867001 | 0 | | PLATE-PIVOT RH |
| 350 | 1767868001 | 0 | | PLATE-PIVOT LH |
| 353 | 1767963 | 0 | | SHIELD-HEAT {13036/037} |
| 600 | 1735222 | 0 | /P/F | PAINT-BLACK SPRAY |
| 601 | 1900706 | 0 | S/F | PAINT-RED SPRAYCAN POWDER |
| 7 | | 0 | | UNKNOWN |

13037 16HP GEAR DRIVE TRACTOR (S/N 130370100101)
HYDRO TRANSMISSION (650) PARTS

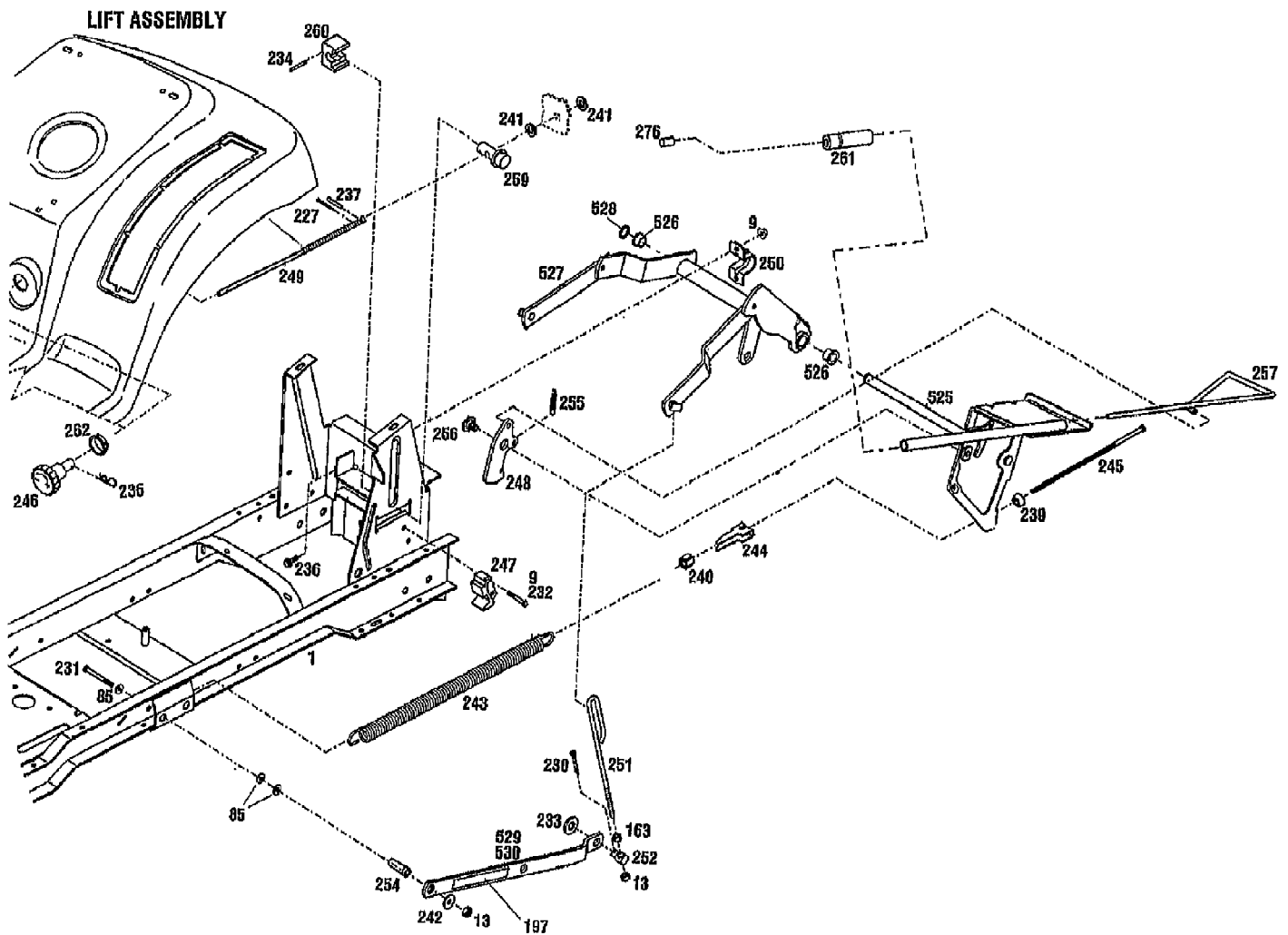


13037 16HP GEAR DRIVE TRACTOR (S/N 130370100101)
HYDRO TRANSMISSION (650) PARTS

Page 15 of 21

| Ref # | Part Number | Qty | S/P/F | Description |
|-------|-------------|-----|-------|---------------------------|
| 1 | 1769260 | 0 | | HOUSING-UPPER |
| 2 | 1769261 | 0 | | RING-V |
| 3 | 1769262 | 0 | | SCR-SELF TAP 1/4-20X.734 |
| 4 | 1769263 | 0 | | ASSM-SHAFT & CAM |
| 5 | 1769264 | 0 | | SPACER |
| 6 | 1769265 | 0 | /P | BLOCK FRICTION |
| 7 | 1769266 | 0 | | NUT-HEX/JAM |
| 8 | 1769267 | 0 | | ADJUSTMENT-STUD |
| 9 | 1769268 | 0 | | RING-O |
| 10 | 1769269 | 0 | | KEY-DRIVE |
| 11 | 1769270 | 0 | | ASSM-BEARING |
| 12 | 1769271 | 0 | | WASHER-.505 X .942 X .040 |
| 13 | 1769272 | 0 | | SHAFT-INPUT |
| 14 | 1769273 | 0 | | BRAKE-DISC |
| 15 | 1769274 | 0 | | SPUR-GEAR 10T |
| 16 | 1769275 | 0 | F | KIT-SHIM (.500 SHAFT) |
| 17 | 1769276 | 0 | | ASSM-BEARING |
| 18 | 1769277 | 0 | | SHAFT-IDLER |
| 19 | 1769278 | 0 | | WASHER-.632 X 1.0 X .041 |
| 20 | 1769279 | 0 | | SPACER .630 X 1.00 X .549 |
| 21 | 1769280 | 0 | | SPUR-GEAR 41T |
| 22 | 1769281 | 0 | /P | WASHER-NEOPRENE |
| 23 | 1769282 | 0 | | WASHER-.758X1.25X.031 |
| 24 | 1769283 | 0 | | AXLE-TRANSMISSION LH |
| 25 | 1769284 | 0 | | MITER-GEAR 15T |
| 26 | 1769285 | 0 | /P | RING-RETAINING |
| 27 | 1769286 | 0 | | SPUR-GEAR 41T |
| 28 | 1769287 | 0 | | MITER-GEAR 15T |
| 29 | 1769288 | 0 | | SHAFT-CROSS |
| 30 | 1769289 | 0 | | AXLE-TRANSMISSION RH |
| 31 | 1769290 | 0 | /P | KIT-SHIM (.750 SHAFT) |
| 32 | 1769291 | 0 | | HSG-TRANSMISSION LOWER |
| 33 | 1769292 | 0 | | RING-RETAINING |
| 34 | 1769293 | 0 | /P/F | KIT-SHIM (.670 SHAFT) |
| 35 | 1769294 | 0 | /P | SCR-HHC #6-32X.88 |
| 36 | 1769295 | 0 | | PULLEY-4.50" DIA |
| 37 | 1969296 | 0 | | HUB |
| 38 | 1769297 | 0 | S | KIT-FAN |
| 39 | 1769298 | 0 | /P | NUT-H/LK #6-32 |
| 40 | 1769299 | 0 | S | ASSM-HYDROSTATIC |
| 41 | 1769300 | 0 | /P | KEY-WOODRUFF |
| 42 | 1770921 | 0 | | CAP |
| 43 | 1770922 | 0 | /P | DIAPHRAGM |
| 44 | 1770924 | 0 | /P | RESERVOIR |
| 45 | 1186312 | 0 | | SCR-HFLK 1/4-20X1.00 |
| 46 | 1770923 | 0 | | RING-O |

13037 16HP GEAR DRIVE TRACTOR (S/N 130370100101)
LIFT ASSEMBLY

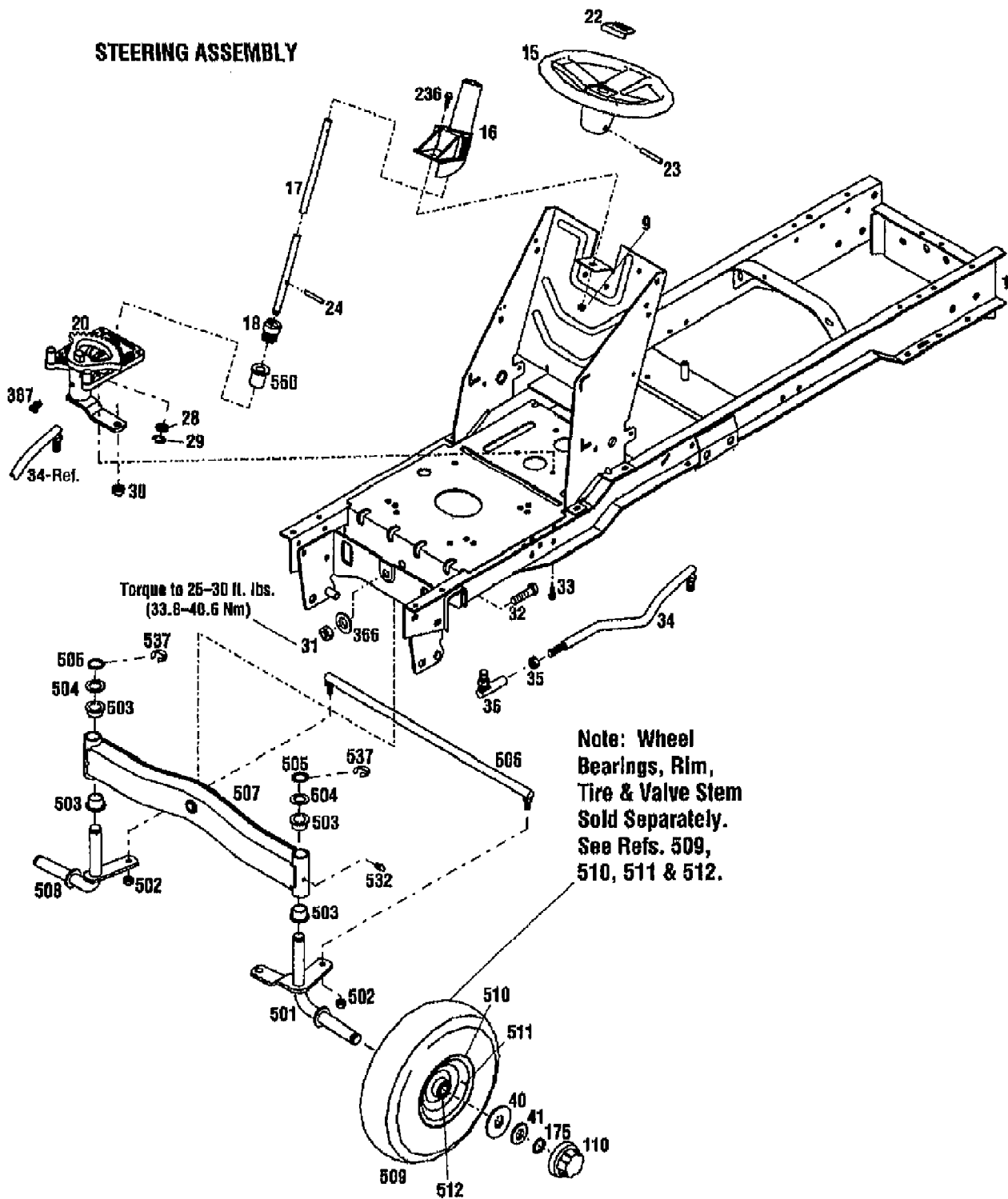


13037 16HP GEAR DRIVE TRACTOR (S/N 130370100101)
LIFT ASSEMBLY

Page 17 of 21

| Ref # | Part Number | Qty | S/P/F | Description |
|-------|-------------|-----|-------|----------------------------|
| 1 | 1765435001 | 0 | S | ASSM-FRAME LTX |
| 9 | 1186391 | 0 | S | NUT-HFLK 5/16-18 ZP |
| 13 | 1733398 | 0 | S | NUT-LOCK 3/8-16 |
| 85 | 1107383 | 0 | S | WASHER-FLAT 3/8 SAE |
| 163 | 1186231 | 0 | S | NUT-HEX 3/8-16 ZP |
| 197 | 1767877 | 0 | | DECAL-WARNING |
| 227 | 1100349 | 0 | S | PIN-COTTER .125 X .75 ZP |
| 230 | 1100351 | 0 | | PIN-COTTER .120X1.25 ZP |
| 231 | 1111614 | 0 | S | SCR-HH 3/8-16X3.0 G5 ZP |
| 232 | 1100799 | 0 | S | SCR-HH 5/16-18X1.5 G5 ZP |
| 233 | 1107386 | 0 | S | WASHER-1.305X.649X.098 ZP |
| 234 | 1185376 | 0 | /P | PIN-DRIVE |
| 235 | 1817091 | 0 | | PIN-HITCH |
| 236 | 1186329 | 0 | S | SCR-HFLK 5/16-18X.75 ZP |
| 237 | 1187961 | 0 | /P | PIN-ROLL .156X1.0 |
| 239 | 1714521 | 0 | | BEARING-SPHERICAL |
| 240 | 1717942 | 0 | | NUT-SPECIAL 5/16-18 |
| 241 | 1738490 | 0 | /P | SPACER |
| 242 | 1763355 | 0 | S | WASHER-1.5X.375X.18 ZP |
| 243 | 1765445 | 0 | | SPRING-LIFT ASSIST |
| 244 | 1765457 | 0 | | BRKT-LIFT ASSIST |
| 245 | 1765458 | 0 | | SCR-LIFT ASSIST |
| 246 | 1765485 | 0 | /P | KNOB-HEIGHT ADJUST |
| 247 | 1766028 | 0 | | BLOCK-DETENT |
| 248 | 1766029001 | 0 | | LATCH |
| 249 | 1766048 | 0 | | KIT-SVC SCR HGT ADJ |
| 250 | 1766057 | 0 | | CLAMP-LIFT |
| 251 | 1766058 | 0 | | ROD-LIFT |
| 252 | 1766059 | 0 | /P | SWIVEL-LIFT REAR |
| 254 | 1766080 | 0 | | SPACER |
| ?255 | 1766174 | 0 | | SPRING-EXTENSION |
| 256 | 1766175 | 0 | | SCR-SHOULDER |
| 257 | 1766178 | 0 | | ROD |
| 259 | 1766257 | 0 | | BLOCK-HEIGHT ADJUST |
| 260 | 1766259 | 0 | | COLLAR-HEIGHT ADJUST |
| 261 | 1766340 | 0 | | GRIP-LIFT |
| 262 | 1766346 | 0 | | GROMMET-SNAP BUSHING |
| 276 | 1767880 | 0 | S | BUTTON-LIFT |
| 525 | 1766032001 | 0 | | HANDLE-LIFT |
| 526 | 1764140 | 0 | /P | BUSHING |
| 527 | 1766068001 | 0 | | LIFT |
| 528 | 1185649 | 0 | /P | RING-RETAINING EXT .694 ID |
| 529 | 1768718 | 0 | | LINK-LIFT W/DECAL |
| 530 | 1768717 | 0 | /P | LINK-LIFT W/DECAL |
| | 1735222 | 0 | /P | PAINT-BLACK SPRAY |
| | 1900706 | 0 | S | PAINT-RED SPRAYCAN POWDER |

13037 16HP GEAR DRIVE TRACTOR (S/N 130370100101)
STEERING ASSEMBLY



1735222 Black Spray Paint, 13 oz. Can

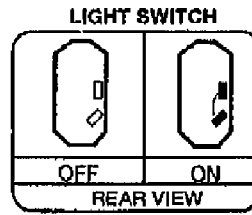
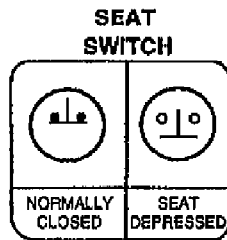
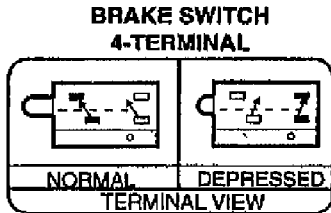
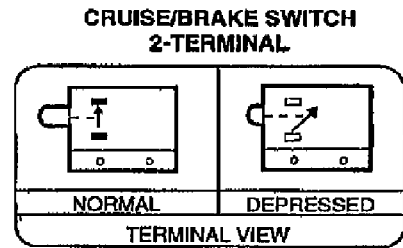
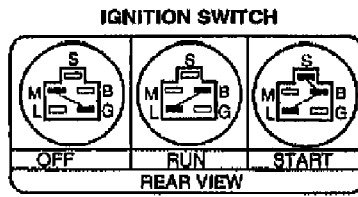
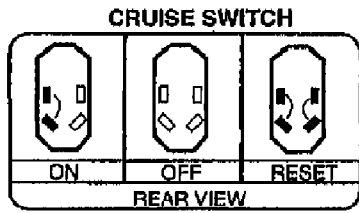
- (A)—Model 13035
- (B)—Model 13036
- (C)—Model 13037

13037 16HP GEAR DRIVE TRACTOR (S/N 130370100101)
STEERING ASSEMBLY

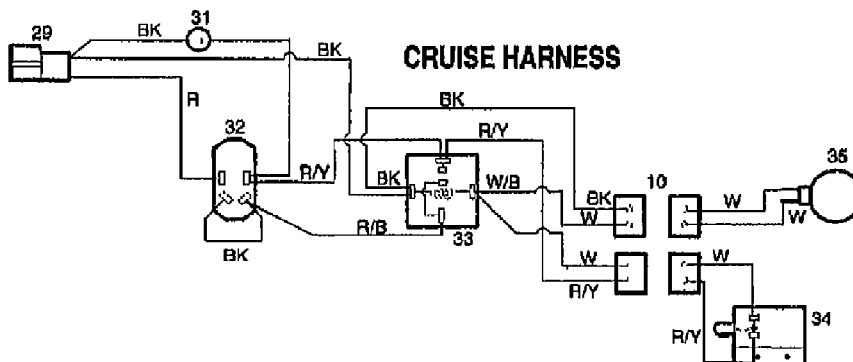
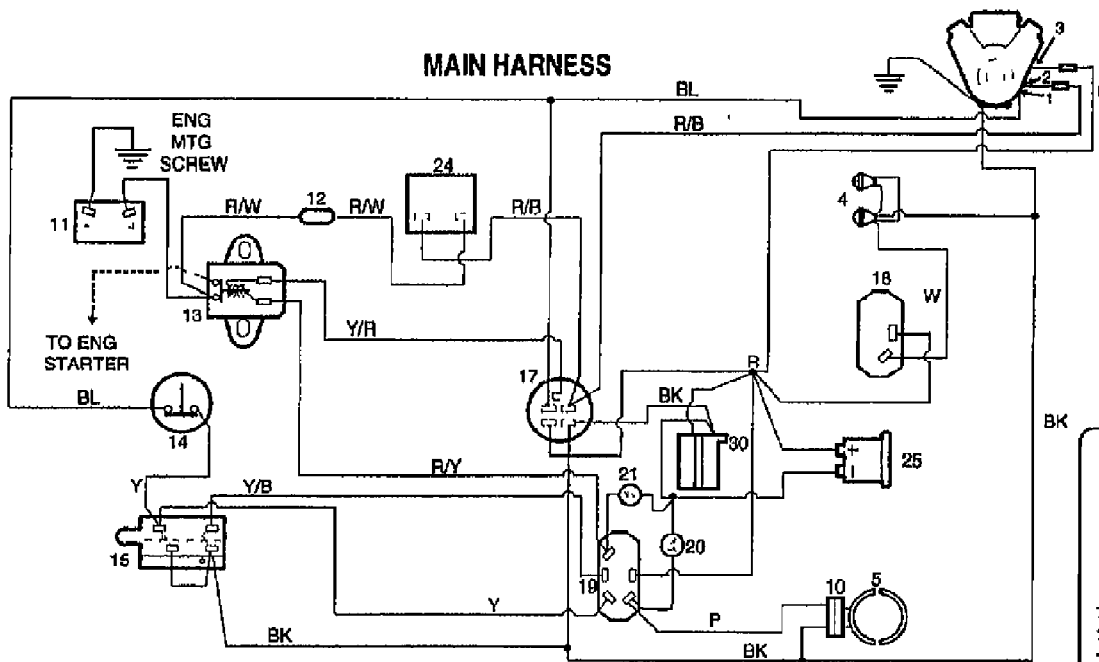
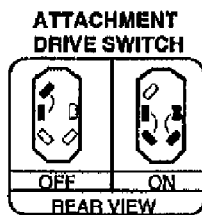
Page 19 of 21

| Ref # | Part Number | Qty | S/P/F | Description |
|-------|-------------|-----|-------|----------------------------|
| 1 | 1765435001 | 0 | S | ASSM-FRAME LTX |
| 9 | 1186391 | 0 | S | NUT-HFLK 5/16-18 ZP |
| 15 | 1766027 | 0 | /P | WHEEL-STEERING |
| 16 | 1765443 | 0 | | SUPPORT-STEERING SHAFT |
| 17 | 1765010 | 0 | /P | SHAFT-STEERING |
| 18 | 1765243 | 0 | | GEAR-PINION |
| 20 | 1768771 | 0 | S | ASSM-STEERING GEAR |
| 22 | 1766221 | 0 | | CAP-STEERING |
| 23 | 1185284 | 0 | S | PIN-ROLL .25X2.25 |
| 24 | 1185348 | 0 | S | PIN-ROLL 1/4 X 1-1/4 |
| 28 | 1705092 | 0 | S | WASHER-1.0X.64X.09 |
| 29 | 1177567 | 0 | S | RING-RETAINING |
| 30 | 1768796 | 0 | S | NUT-HEX/JAM 1/2-20 |
| 31 | 1758231 | 0 | S | NUT-H/LK 5/8-11 |
| 32 | 1767953 | 0 | | SCR-HH |
| 33 | 1766984 | 0 | /P | SCR-HFLK 5/16-18X.75 |
| 34 | 1765315 | 0 | | LINK-DRAG |
| 35 | 1186247 | 0 | S | NUT-JAM |
| 36 | 1716180 | 0 | | JOINT-BALL |
| 40 | 1766241 | 0 | /P | WASHER-SPEC .75X2.50 |
| 41 | 1185830 | 0 | S | WASHER-1.38 X.765X .06 ZP |
| 110 | 1766215 | 0 | | CAP-HUB |
| 175 | 1185388 | 0 | S | RING-RET."E".577 ID |
| 236 | 1186329 | 0 | S | SCR-HFLK 5/16-18X.75 ZP |
| 366 | 1100266 | 0 | S | WASHER-1.75X.687X.134 ZP |
| 387 | 1731504 | 0 | S | FITTING-GREASE 90 DEGREE |
| 501 | 1765263001 | 0 | | ASSM-SPINDLE LH |
| 502 | 1110150 | 0 | S | NUT-LOCK |
| 503 | 1764140 | 0 | /P | BUSHING |
| 504 | 1701447 | 0 | /P | WASHER-1.25X.765X.049 |
| 505 | 1185689 | 0 | | RING-HEAVY EXT HD 1.0 ID |
| ?506 | 1765009001 | 0 | S | KIT-TIE ROD W/HDW |
| 507 | 1765169001 | 0 | | AXLE-FRONT |
| 508 | 1765004001 | 0 | | ASSM-SPINDLE WHEEL RH |
| 509 | 1762254 | 0 | S | TIRE 15X6.00-6RS |
| 510 | 1767276 | 0 | /P | DISC WHEEL |
| 511 | 1718086 | 0 | S | STEM-VALVE |
| 512 | 1767273 | 0 | S | BEARINGS-WHEEL |
| 532 | 1185976 | 0 | S | FITTING-GREASE 1/4-28X2.00 |
| 537 | 1185388 | 0 | S | RING-RET."E".577 ID |
| 550 | 1747303 | 0 | | BEARING |
| | 1735222 | 0 | /P | PAINT-BLACK SPRAY |
| 606 | | 0 | | UNKNOWN |

13037 16HP GEAR DRIVE TRACTOR (S/N 130370100101)
WIRING DIAGRAM



| WIRE COLOR CODE | |
|-----------------|-------------|
| BK | Black |
| BL | Blue |
| P | Purple |
| R | Red |
| W | White |
| Y | Yellow |
| R/W | Red/White |
| R/B | Red/Black |
| R/Y | Red/Yellow |
| Y/R | Yellow/Red |
| W/B | White/Black |



| ITEM CODE | |
|-----------|---------------------|
| 1 | Magneto |
| 2 | Alternator |
| 3 | Fuel Solenoid |
| 4 | Headlights |
| 5 | Attachment Clutch |
| 10 | Connector |
| 11 | Battery |
| 12 | Fuse |
| 13 | Start Solenoid |
| 14 | Seat Switch |
| 15 | Brake Switch |
| 17 | Key Switch |
| 18 | Light Switch |
| 19 | Attachment Switch |
| 20 | Attachment Light |
| 21 | Start Light |
| 24 | Ammeter |
| 25 | Hourmeter |
| 29 | Cruise Socket |
| 30 | Cruise Plug |
| 31 | Cruise Light |
| 32 | Cruise Switch |
| 33 | Cruise Relay |
| 34 | Cruise/Brake Switch |
| 35 | Cruise Magnet |

13037 16HP GEAR DRIVE TRACTOR (S/N 130370100101)
WIRING DIAGRAM

Page 21 of 21

| Ref # | Part Number | Qty | S/P/F | Description |
|-------|-------------|-----|-------|-------------------|
| | 0 | 0 | | ILLUSTRATION ONLY |