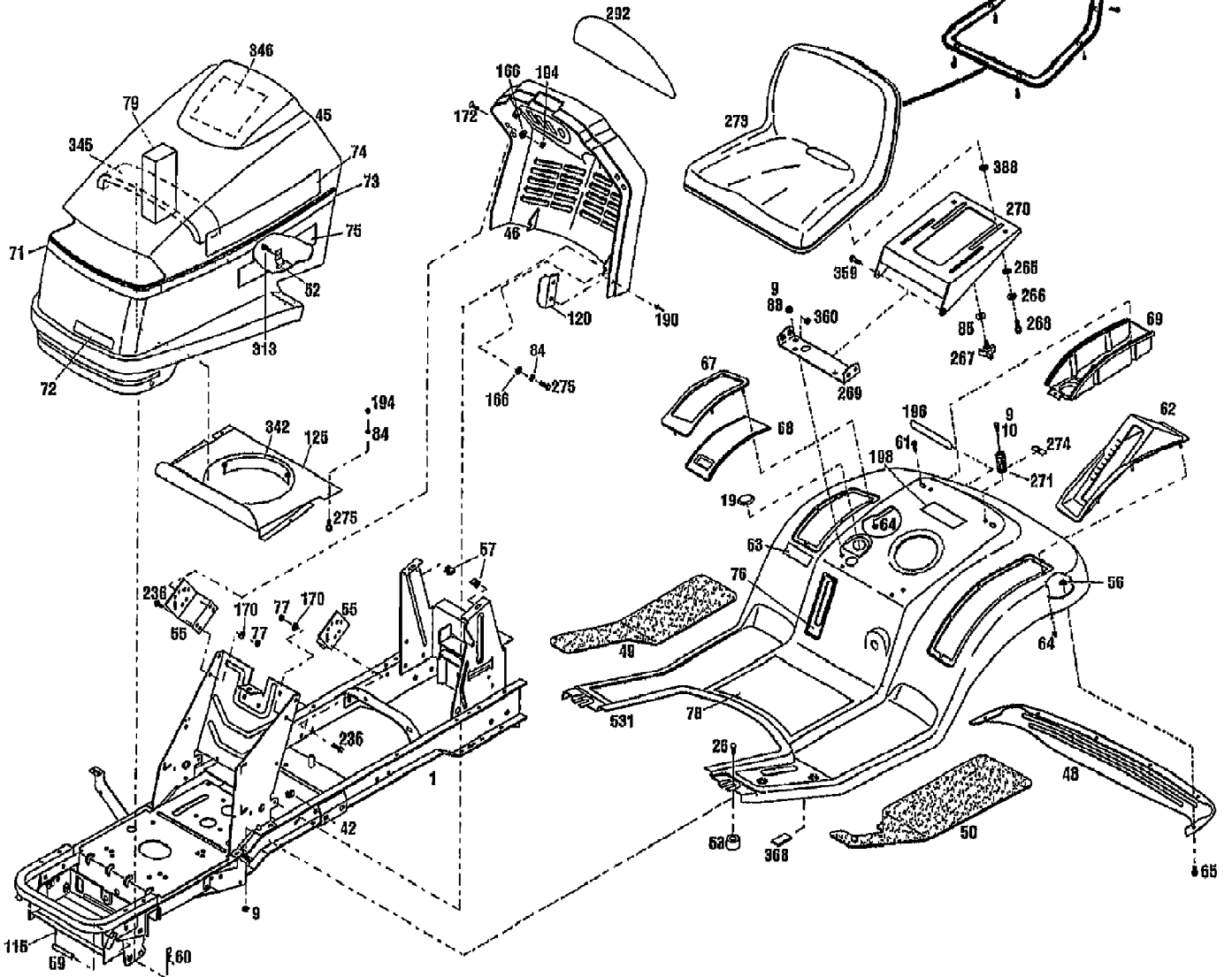


13035 13HP GEAR DRIVE TRACTOR (S/N 130350100101)  
BODYWORK & TRIM ASSEMBLY

For Repair of High Back Seat (#1766161) Models: 13036  
#1771219 Seat Trim Molding (Incl.Screws) 13037  
#1771220 Screws



1900706 Red Spray Paint, 13 oz. Can

13035 13HP GEAR DRIVE TRACTOR (S/N 130350100101)  
BODYWORK & TRIM ASSEMBLY

Page 2 of 22

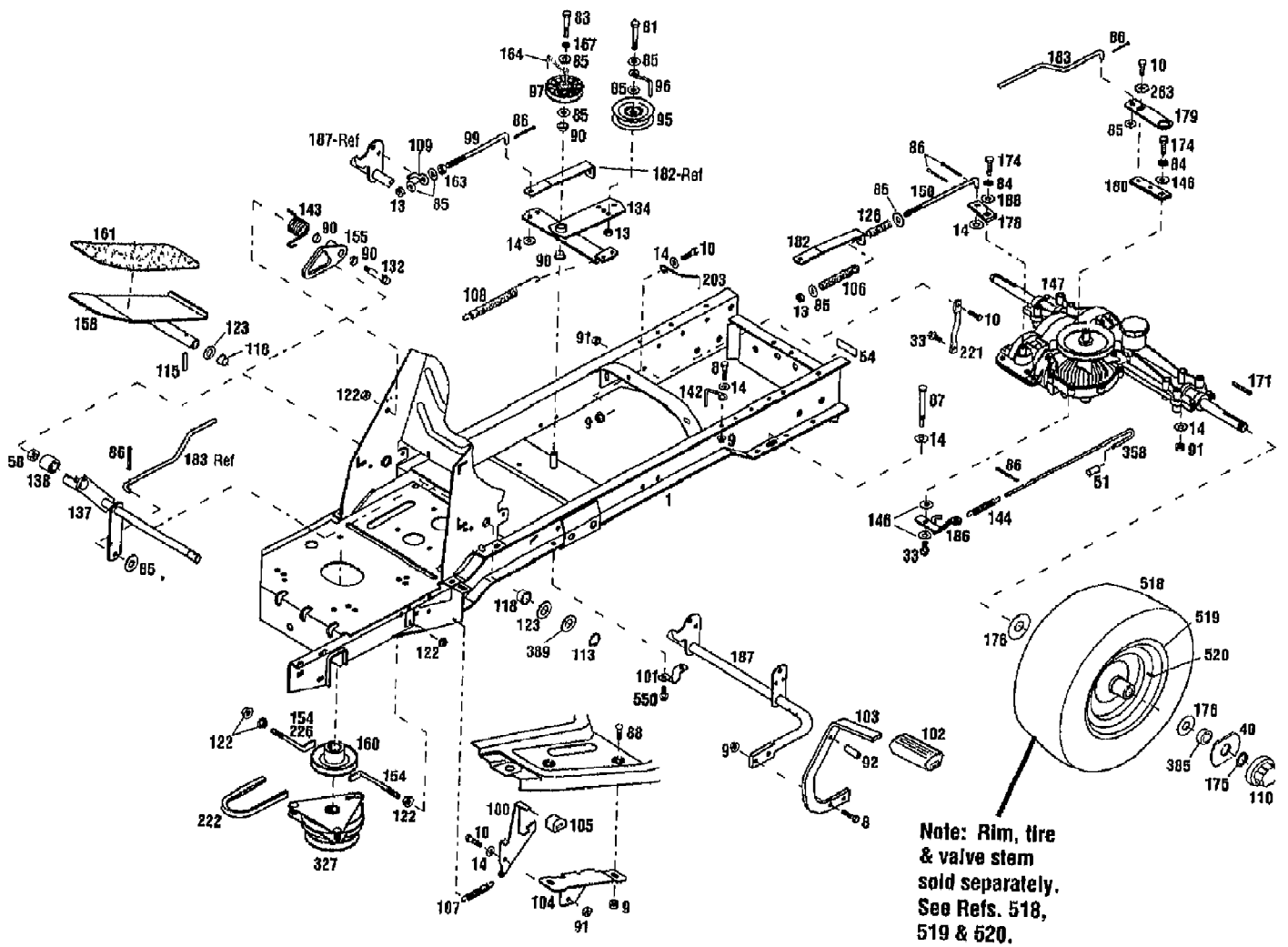
Ref #	Part Number	Qty	S/P/F	Description
1	1765435001	0	S	ASSM-FRAME LTX
9	1186391	0	S	NUT-HFLK 5/16-18 ZP
10	1100044	0	S	SCR-HHC 5/16-18X.75 GR 5 ZP
19	1768787	0		PLUG 2.50
26	1186100	0	/P	SCR-CARR 5/16-18X1.0 G2 ZP
42	1185893	0	/P	NUT-SPEED
45	1765382	0		HOOD-TRACTOR
46	1765376	0		CONSOLE
48	1765331010	0		TRIM-FENDER REAR
49	1765370	0		PAD-FOOT RH
50	1765371	0	S	PAD-FOOT LH
52	1765384	0		LATCH
53	1730681	0	/P	SPACER-TUBULAR
55	1768775001	0		BRKT-MOUNTING
56	1186389	0	/P	NUT-HF/LK 1/4-20 ZP
57	1761680	0	S	NUT-SELF RETAIN 5/16-18
59	1765497	0		PIN-PIVOT HOOD
60	1723478	0	/P	PIN-HITCH .125X2.56 ZP
61	1186330	0	S	SCR-LOCK
62	1766139	0	S	COVER-LIFT HANDLE
63	1901900	0	/P	DECAL-AMERICAN LEGEND-LRG
64	1750532	0	S	NUT-SELF THREADING
65	1186309	0	/P	SCR-HH 1/4-20X.625
67	1765493	0		TOP-STORAGE COVER
68	1765492	0		COVER-CONTAINER
69	1765494	0		CONTAINER-STORAGE
71	1766383	0		DECAL-STRIPE HOOD FRONT
72	1759101	0		DECAL-LOGO
73	1766382	0		DECAL-STRIPE SIDE
74	1767886	0	/P	DECAL-LOGO TROY-BILT
75	1767813	0		DECAL-MODEL 13035 {13035}
75	1767814	0		DECAL-MODEL 13036 {13036}
75	1766388	0		DECAL-MODEL 13039 {13037}
76	1766140	0		DECAL-FUEL LEVEL
77	1186230	0	S	NUT-HEX 5/16-18 ZP
78	1766142	0		DECAL-OPER INST
79	1768829	0		BLOCK-SEALING {13037}
84	1100241	0	S	WASHER-LK .25 ZP
85	1107383	0	S	WASHER-FLAT 3/8 SAE
88	1186097	0	S	SCR-CARR 5/16-18X.62 G2 ZP
115	1120210	0		PIN-ROLL .188X1.0
120	1768828001	0		BRKT-HOOD ALIGN
125	1767873001	0		SHIELD-HEAT UPPER
166	1720883	0	/P	WASHER-FLAT 1.25X.28X.062 ZP
170	1100242	0	S	WASHER-LK .312 ZP
172	1816081	0		SCR
190	1739918	0		RIVET-POP
194	1186229	0	S	NUT-HEX 1/4-20 ZP
196	1759102	0		DECAL-LOGO FENDER
198	1767876	0		DECAL-FUEL
236	1186329	0	S	SCR-HFLK 5/16-18X.75 ZP
265	1705793	0		WASHER-1.06X.51X.09 NYLON
266	1706782	0	/P	WASHER-BOW .74X.52X.01

13035 13HP GEAR DRIVE TRACTOR (S/N 130350100101)  
BODYWORK & TRIM ASSEMBLY

Page 3 of 22

Ref #	Part Number	Qty	S/P/F	Description
267	1734269	0		KNOB
268	1754125	0	/P	SCR-SHLDR 3/8-16X.25 G5ZP
269	1766075001	0		BRKT-SUPPORT SEAT
270	1766074001	0	/P	SUPPORT-SEAT
271	1766077	0	/P	SPRING-COMPRESSION
273	1766160	0		KIT-SEAT (TRACTOR) {13035}
273	1766161	0		KIT-SEAT (TRACTOR) {13036/037}
274	1766347	0	/P	BRKT-SPRING HOLD DOWN
275	1111599	0	S	SCR-HH 1/4-20X.625 G5 ZP
292	1766349	0		LENS-INSTRMTS WARN LIGHTS {13035/036}
292	1764887	0		LENS-INSTRMTS WARN LIGHTS {13037}
313	1185712	0		SCR
342	1767897	0		GASKET-HEAT SHIELD
345	1767898	0		STRIP-SEALING
346	1765397	0		DECAL-SERVICE
359	1100913	0	S	SCR-HH 3/8-16X.88 G5 ZP
360	1110108	0	S	NUT-H/LK 3/8-16
368	1767995	0		PAD
388	1893445	0	S	WASHER-FLAT
531	1768716	0		FENDER-RED W/DECALS
	1900706	0	S	PAINT-RED SPRAYCAN POWDER
	1771219	0		KIT-SEAT TRIM
	1771220	0		SCR-SEAT RING
104		0		UNKNOWN
276		0		UNKNOWN

13035 13HP GEAR DRIVE TRACTOR (S/N 130350100101)  
DRIVELINE/HYDRO TRANSMISSION ASSEMBLY



13035 13HP GEAR DRIVE TRACTOR (S/N 130350100101)  
DRIVELINE/HYDRO TRANSMISSION ASSEMBLY

Page 5 of 22

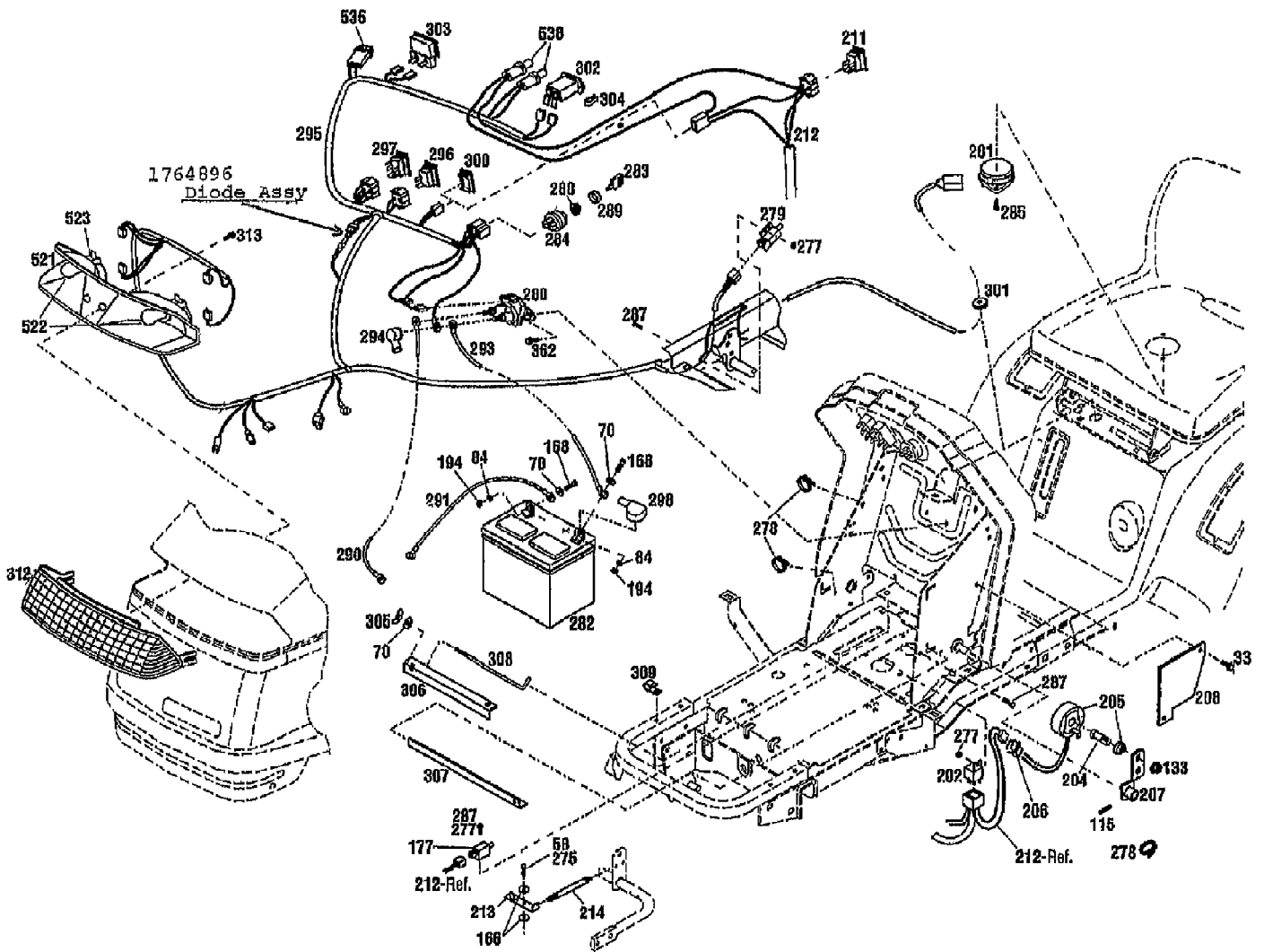
Ref #	Part Number	Qty	S/P/F	Description
1	1765435001	0	S	ASSM-FRAME LTX
8	1100045	0	S	SCR-HH 5/16-18X1.0 G5 ZP
9	1186391	0	S	NUT-HFLK 5/16-18 ZP
10	1100044	0	S	SCR-HHC 5/16-18X.75 GR 5 ZP
13	1733398	0	S	NUT-LOCK 3/8-16
14	1107382	0	/P	WASHER-FLAT 5/16 SAE
33	1766984	0	/P	SCR-HFLK 5/16-18X.75
40	1766241	0	/P	WASHER-SPEC .75X2.50
51	1767984	0		GRIP-HANDLE
54	1767967	0		DECAL-TRANS RELEASE
58	1734398	0	S	NUT-HT LK 1/4-20
81	1100048	0	S	SCR-HH 3/8-16X2.0 G5 ZP
83	1100086	0	S	SCR-HH 3/8-16X1.75 G5 ZP
84	1100241	0	S	WASHER-LK .25 ZP
85	1107383	0	S	WASHER-FLAT 3/8 SAE
86	1100346	0	S	PIN-COTTER .09X.75 ZP
87	1111609	0	S	SCR-HH 5/16-18X2.75 G5 ZP
88	1186097	0	S	SCR-CARR 5/16-18X.62 G2 ZP
90	1715538	0	/P	BUSHING-.5X.5 NYLON FLNG
91	1732499	0	/P	NUT-TOP/LK 5/16-18 ZP
92	1733103	0	/P	PIN-.312X.75
95	1756151	0	/P	IDLER
96	1760096	0	/P	GUIDE-BELT
97	1760097	0	/P	PULLEY-IDLER
99	1765044	0		ROD-CLUTCH
100	1765096	0		LATCH-BRAKE CLUTCH USE1771514
101	1765156	0		CLIP-CLAMP .75 ID
102	1765167	0		PAD-FOOT PEDAL
103	1765252	0		PEDAL-BRAKE
104	1765257	0		BRKT-BRAKE LOCK
105	1765297	0		PAD-BRAKE
106	1765305	0		SPRING-COMPRESSION
107	1985140	0		SPRING-EXTENSION
108	1765402	0	/P	SPRING-EXTENSION
109	1765461	0		ROD-PIVOT
110	1766215	0		CAP-HUB
113	1118808	0	/P	RING-RETAIN .625 ID
115	1120210	0		PIN-ROLL .188X1.0
118	1185802	0		BEARING-FLANGE
122	1186393	0	/P	NUT-HFLK 3/8-16 ZP
123	1715301	0	/P	WASHER-1.115X.637X.06
?126	1713075	0		SPRING
132	1763219	0	/P	SCR-SHLDR 3/8-16
134	1765064	0	/P	ARM-IDLER
137	1765079	0		SHAFT-HYDRO PIVOT
138	1767807	0	/P	BEARING-BALL
142	1985919	0		GUIDE-BELT
143	1765306	0		SPRING-TORSION
144	1720928	0		SPRING
146	1100255	0	S	WASHER-FLAT 5/16 SAE
147	1766166	0	S	TRANSAXLE-HYDRO
150	1766162	0		ROD-BRAKE
154	1766025	0	/P	RETAINER-CLUTCH {13035/036}

13035 13HP GEAR DRIVE TRACTOR (S/N 130350100101)  
DRIVELINE/HYDRO TRANSMISSION ASSEMBLY

Page 6 of 22

Ref #	Part Number	Qty	S/P/F	Description
154	1765482	0	/P	RETAINER-CLUTCH {13037}
155	1766015	0		ARM-RETURN NEUTRAL HYDRO
158	1766085001	0		ASSM-PEDAL HYDRO
160	1766201	0		PULLEY-ENGINE
161	1766202	0	/P	PAD-FOOT PEDAL
163	1186231	0	S	NUT-HEX 3/8-16 ZP
164	1767900	0		GUIDE-BELT
167	1100243	0	S	WASHER-LK .375 @ DEPL
171	1983110	0	/P	KEY-3/16X3/16X1 3/4
174	1111683	0	S	SCR-HHC 1.4-28 X .50
175	1185388	0	S	RING-RET."E".577 ID
176	1747998	0		WASHER-1.87X.765X.06 SPECIAL
178	1766132	0		BRAKE-ARM
179	1766157	0		ARM-CONTROL
180	1766159	0		ARM-HYDRO
182	1766164	0		BRACKET-BRAKE
183	1766165	0		ROD-HYDRO CTRL
186	1767904	0		BRACKET-DUMP VALVE
187	1765061	0		ASSM-BRAKE PEDAL
188	1768866	0		WASHER-FLAT .25 DIA
203	1767966	0		GUIDE-BELT
221	1766172	0		SUPT-TRANSAXLE
222	1765339	0	/P	BELT-V
226	1766153	0		GUIDE-BELT {13035/036}
263	1185714	0		WASHER-LK .312 PYRAMIDAL
327	1755341	0	S	CLUTCH-ELECTRIC
358	1767907	0	/P	ROD-DUMP VALVE
385	1745489	0		SPACER-1.0X.766X.413
389	1705093	0	S	WASHER-1.0X.64X.029
518	1766275	0		TIRE-20X8.00-10
519	1765607	0	/P	WHEEL-REAR
520	1718086	0	S	STEM-VALVE
550	1724491	0	S	SCR-HFLK 5/16-18X.75
?600	1735222	0	/P/F	PAINT-BLACK SPRAY
?601	1900706	0	S/F	PAINT-RED SPRAYCAN POWDER
11		0		UNKNOWN
128		0		UNKNOWN
82		0		UNKNOWN

13035 13HP GEAR DRIVE TRACTOR (S/N 130350100101)  
ELECTRICAL ASSEMBLY



13035 13HP GEAR DRIVE TRACTOR (S/N 130350100101)  
ELECTRICAL ASSEMBLY

Page 8 of 22

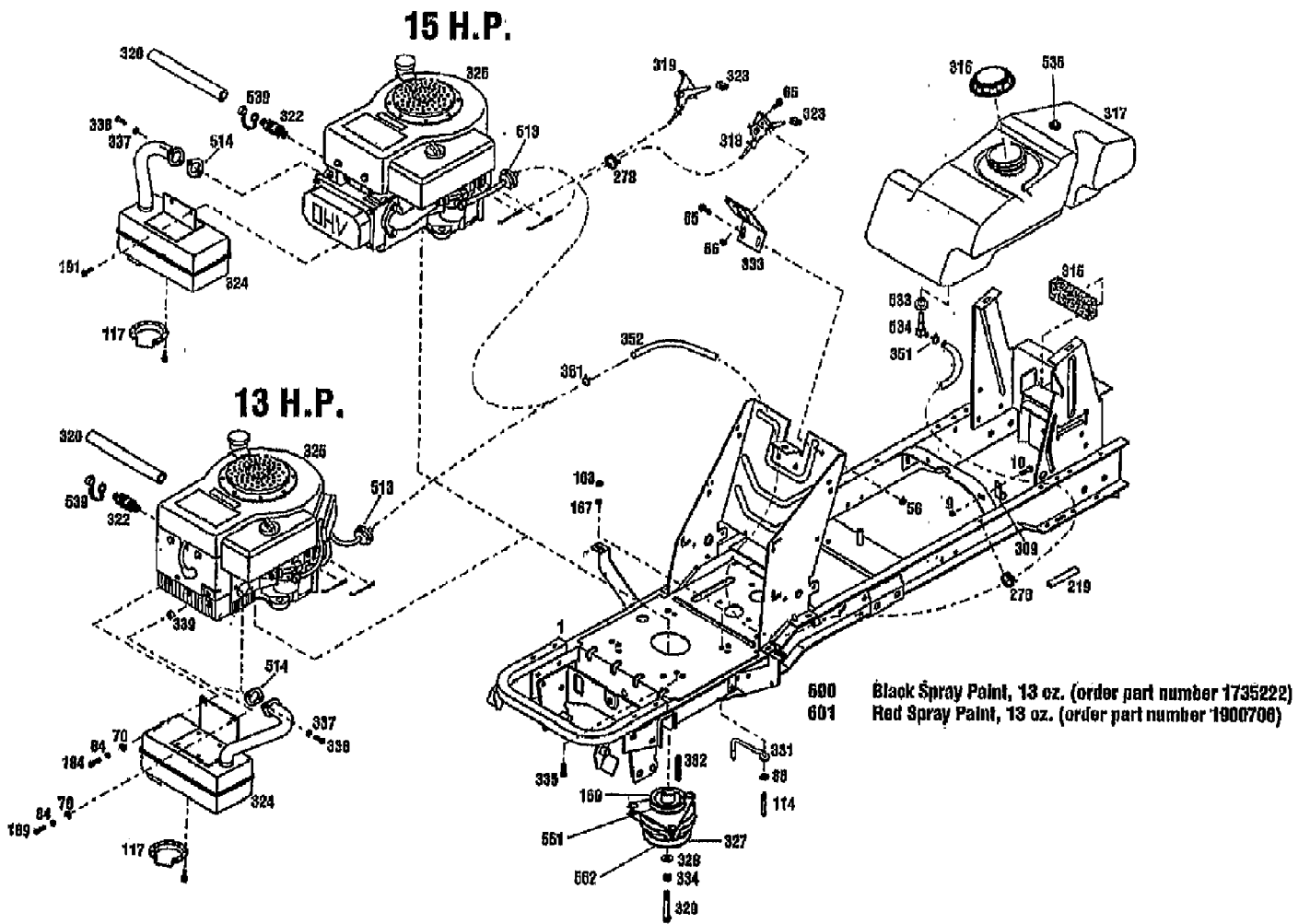
Ref #	Part Number	Qty	S/P/F	Description
33	1766984	0	/P	SCR-HFLK 5/16-18X.75 {13037}
758	1734398	0	S	NUT-HT LK 1/4-20 {13037}
70	1107381	0	S	WASHER-FLAT 1/4 SAE
84	1100241	0	S	WASHER-LK .25 ZP
115	1120210	0		PIN-ROLL .188X1.0 {13037}
133	1186396	0		NUT-WHIZ LOCK {13037}
166	1720883	0	/P	WASHER-FLAT 1.25X.28X.062 ZP {13037}
168	1100805	0	S	SCR-HH 1/4-20X.75 G5 ZP
177	1748723	0	/P	SWITCH {13037}
194	1186229	0	S	NUT-HEX 1/4-20 ZP
202	1749907	0	/P	RELAY-SPEED CONTROL {13037}
204	1750736	0	/P	SCR-SPECIAL {13037}
205	1754675	0	S	ASSM-MAGNET {13037}
206	1767852	0		PIN-TERM HOUSING {13037}
207	1766290	0		ARM-CRUISE {13037}
208	1766334	0		PLATE-CRUISE {13037}
211	1766350	0	/P	SWITCH-CRUISE {13037}
212	1766351	0		HARNES-CRUISE {13037}
213	1767803	0		ARM-CRUISE {13037}
214	1767822	0		SPRING {13037}
277	1185985	0	S	NUT W/LKWASHER 10-24 ZP
278	1735531	0	S	TIE-CABLE NYLON BLACK
279	1751328	0	S	SWITCH
280	1752137	0	S	SOLENOID
281	1752506	0	/P	SWITCH-SEAT
282	1751497	0	S	BATTERY {13035/036}
282	1752840	0		BATTERY {13037}
283	1753986	0	/P	KEY-IGNITION
284	1754250	0	S	SWITCH-IGNITION
285	1755349	0		SCR-PHP 1/4-20X.50 ZP
287	1758070	0	S	SCR-HHS 10-24X.625 ZP
288	1758146	0	S	NUT-SWITCH
289	1758147	0	S	CAP-SWITCH
290	1764898	0	S	CABLE-STARTER
291	1764886	0		CABLE-BATTERY (-)
293	1764888	0		CABLE-BATTERY
294	1764890	0		BOOT-SOLENOID
295	1764892	0		HARNES-MAIN {13035}
295	1767842	0		HARNES-MAIN WIRING {13036}
295	1764893	0		HARNES-MAIN ELECTRICAL {13037}
296	1764894	0		SWITCH-LIGHT
297	1764895	0	S	SWITCH-PTO
298	1764899	0		BOOT-TERMINAL
300	1766184	0		COVER-SWITCH {13035/036}
301	1766264	0		GROMMET
302	1764883	0		METER-HOUR {13037}
303	1764884	0		AMMETER {13037}
304	1766185	0		CLIP-TINNERMAN {13037}
305	1709652	0		NUT-WING
306	1765258001	0	S	CLAMP-BATTERY
307	1765444001	0		BRKT-BATTERY LOWER
308	1766163	0	S	SCR-HOOK
309	1747738	0	/P	CLIP-J



13035 13HP GEAR DRIVE TRACTOR (S/N 130350100101)  
ELECTRICAL ASSEMBLY

Page 9 of 22

Ref #	Part Number	Qty	S/P/F	Description
312	1765400	0	/P	LENSE-HEADLIGHT
313	1185712	0		SCR
362	1724492	0		SCR 1/4-20X.5 FL SELF TAP
521	1768803	0	S	HEADLGT-REFL (PART OF 1772002)
522	1752872	0	S	LIGHTBULB
523	1752875	0		SOCKET
536	1768969	0	S	FUSE
538	1764897	0	S	LIGHTBULB
	1764896	0		ASSM-DIODE
2771		0		UNKNOWN



13035 13HP GEAR DRIVE TRACTOR (S/N 130350100101)  
ENGINE ASSEMBLY

Page 11 of 22

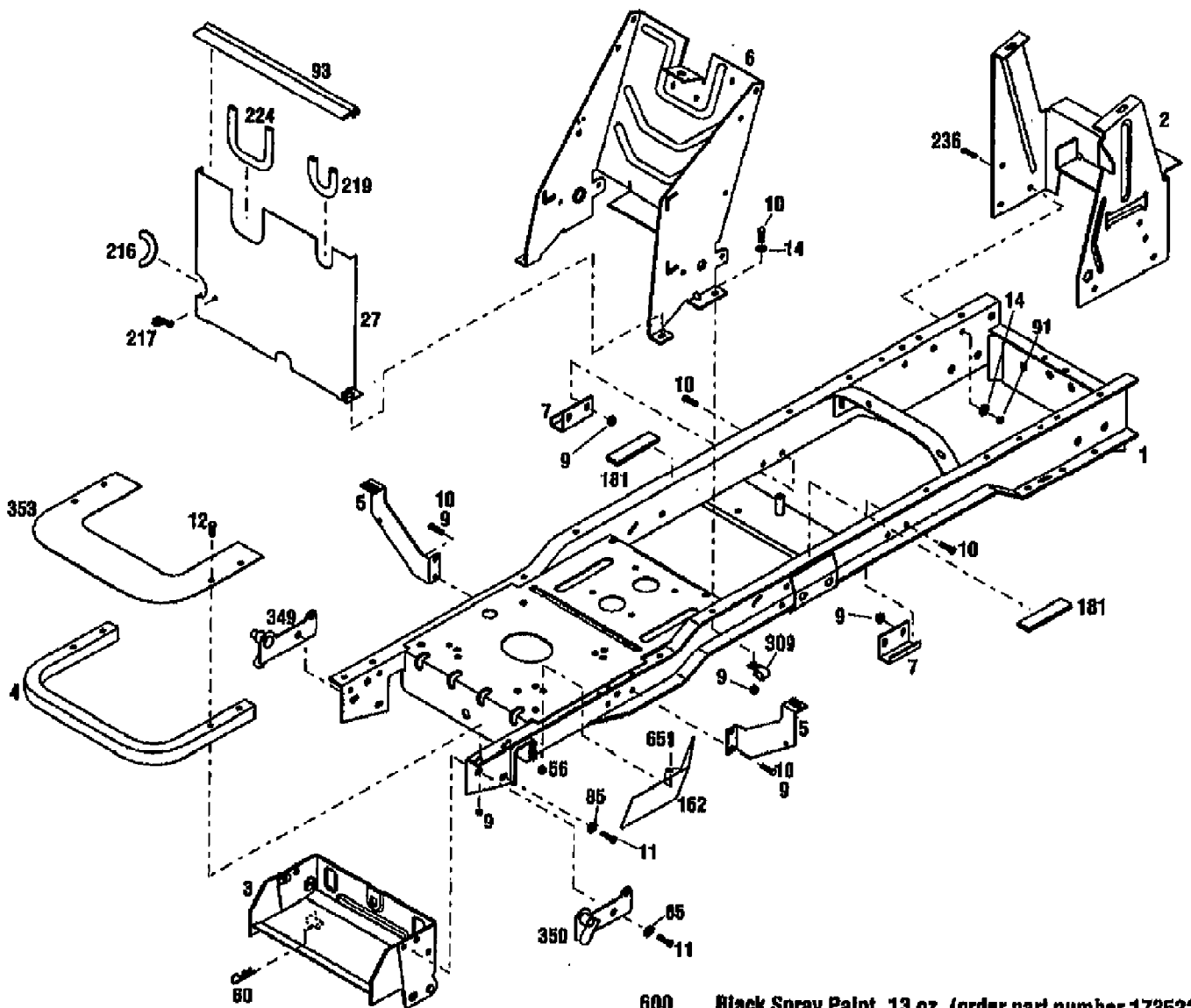
Ref #	Part Number	Qty	S/P/F	Description
1	1765435001	0	S	ASSM-FRAME LTX
9	1186391	0	S	NUT-HFLK 5/16-18 ZP
10	1100044	0	S	SCR-HHC 5/16-18X.75 GR 5 ZP
56	1186389	0	/P	NUT-HF/LK 1/4-20 ZP
65	1186309	0	/P	SCR-HH 1/4-20X.625
70	1107381	0	S	WASHER-FLAT 1/4 SAE
84	1100241	0	S	WASHER-LK .25 ZP
?85	1107383	0	S	WASHER-FLAT 3/8 SAE
114	1768194	0	S	SCR-THRD FRM 3/8-16X1.50
117	1758940	0	S	DEFLECTOR-MUFFLER
?160	1766201	0		PULLEY-ENGINE
163	1186231	0	S	NUT-HEX 3/8-16 ZP
167	1100243	0	S	WASHER-LK .375 @ DEPL
184	1111600	0	S	SCR-HH 1/4-20 X .875
189	1100806	0	S	SCR-HH 1/4-20X1.25
191	1754128	0	/P/F	SCR-FLANGE 1/4-20X3/4 GR5
219	1752694	0		TRIM
278	1735531	0	S	TIE-CABLE NYLON BLACK
309	1747738	0	/P	CLIP-J
?315	1766341	0		PAD-FUEL TANK
316	1766188	0	/P	CAP-FUEL
317	1765404	0		TANK-FUEL
318	1767983	0	S	CONTROL-THROTTLE
319	1767982	0		CONTROL-CHOKE
320	1769006	0	S	HOSE-OIL DRAIN
322	1768865	0	S	ASSM-OIL VALVE
323	1766121	0	/P	KNOB
324	1766297	0	F	MUFFLER
324	1766298	0	S/F	MUFFLER
325	0	0	F	ENGINE, 13HP BRIGGS & STRATTON, MODEL 28M707
325	0	0	F	ENGINE, 15HP BRIGGS & STRATTON, MODEL 28N707
327	1755341	0	S	CLUTCH-ELECTRIC
?328	1744455	0	/P	WASHER-SPEC 1.42X.468X.25 ZP
329	1767165	0	S	SCR-HH 7/16-20X3.00
331	1754787	0	/P	CLUTCH-RETAINER
332	1748146	0		KEY-.25 SQ X 2.5
333	1766119001	0		BRKT-MOUNTING CONTROL
334	1100244	0	S	WASHER-LK .438 ZP
335	1762042	0		SCR-HH 3/8-16X1.0 THDFM
337	1185140	0	S	WASHER-LOCK
338	1747993	0	S	SCR-HXSKT 5/16-18X.75 BO
339	1755340	0	F	SPACER-.625X.344X.34
351	1750687	0	S	CLAMP-HOSE
352	1767879	0		LINE-FUEL
513	1727491	0	S	FILTER-FUEL
514	0	0	F	MUFFLER GASKET
533	1738433	0	S	BUSHING-RUBBER
534	1751477	0	S	ELBOW-90 DEG (FUEL LINE)
?535	1768804	0	S	VENT-FUEL TANK
539	1766326	0		CAP-OIL DRAIN

13035 13HP GEAR DRIVE TRACTOR (S/N 130350100101)  
ENGINE ASSEMBLY

Page 12 of 22

Ref #	Part Number	Qty	S/P/F	Description
551	1724194	0		BEARING-UPPER CLUTCH
?552	1754156	0	/P	BEARING-CLUTCH LOWER
600	1735222	0	/P	PAINT-BLACK SPRAY
601	1900706	0	S	PAINT-RED SPRAYCAN POWDER
169		0		UNKNOWN
326		0		UNKNOWN
361		0		UNKNOWN
562		0		UNKNOWN

13035 13HP GEAR DRIVE TRACTOR (S/N 130350100101)  
FRAME ASSEMBLY



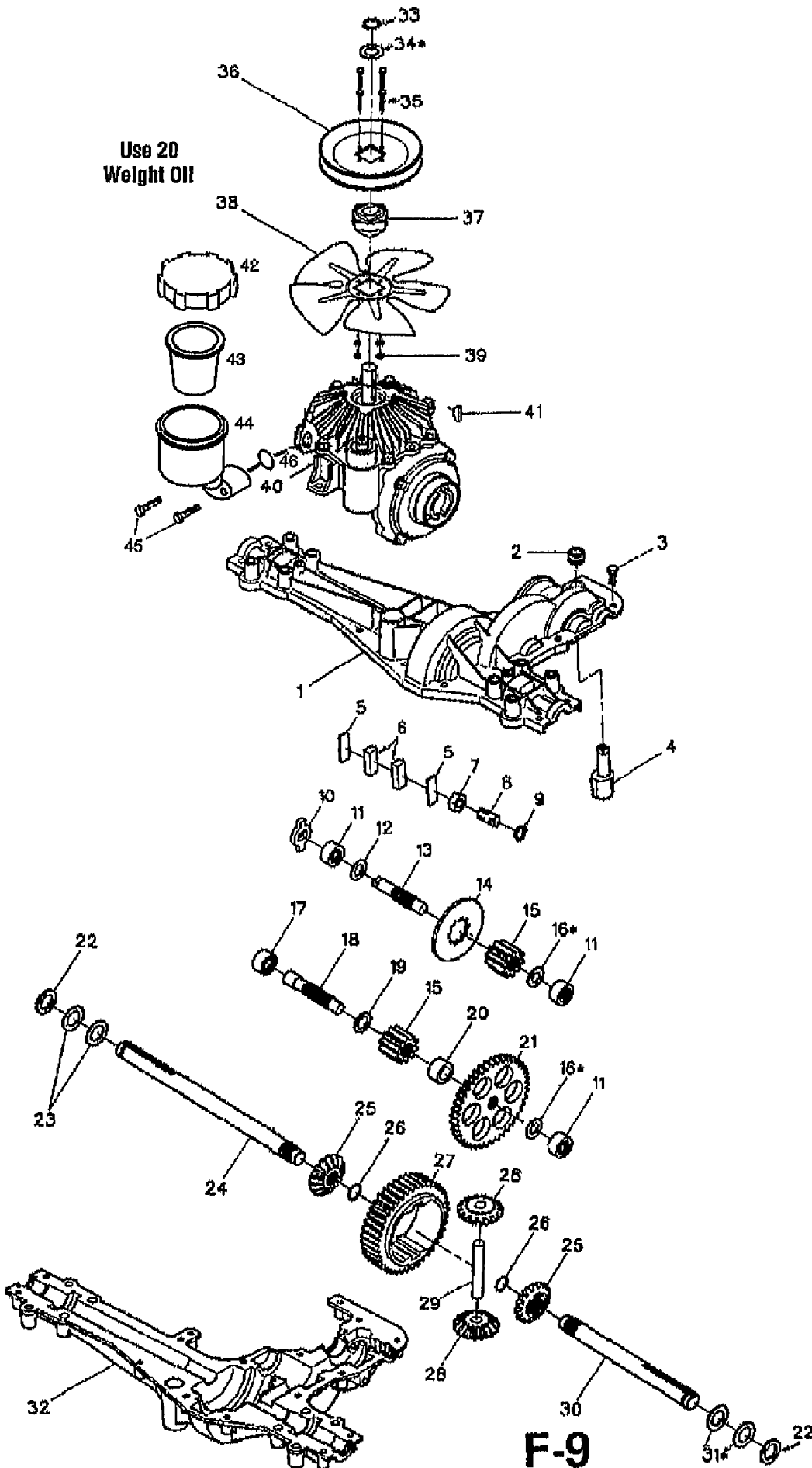
- 600 Black Spray Paint, 13 oz. (order part number 1735222)
- 601 Red Spray Paint, 13 oz. (order part number 1900706)

13035 13HP GEAR DRIVE TRACTOR (S/N 130350100101)  
FRAME ASSEMBLY

Page 14 of 22

Ref #	Part Number	Qty	S/P/F	Description
1	1765435001	0	S	ASSM-FRAME LTX
2	1766050001	0		SUPPORT-REAR TANK
3	1766082001	0		ASSM-BRKT ATTACHMENT
4	1766336001	0		BUMPER-FRONT
5	1765431001	0		SUPPORT-FENDER
6	1765446001	0		SUPPORT-CONSOLE
9	1186391	0	S	NUT-HFLK 5/16-18 ZP
10	1100044	0	S	SCR-HHC 5/16-18X.75 GR 5 ZP
11	1100046	0	S	SCR-HH 3/8-16X1.0 G5 ZP
12	1100779	0	S	SCR-HH 5/16-18X1.75
14	1107382	0	/P	WASHER-FLAT 5/16 SAE
27	1768826001	0		SHIELD-HEAT
?56	1186389	0	/P	NUT-HF/LK 1/4-20 ZP
60	1723478	0	/P	PIN-HITCH .125X2.56 ZP
?65	1186309	0	/P	SCR-HH 1/4-20X.625
85	1107383	0	S	WASHER-FLAT 3/8 SAE
91	1732499	0	/P	NUT-TOP/LK 5/16-18 ZP
93	1768834	0		GASKET-HEAT SHIELD {13037}
162	1767874001	0		SHIELD-HEAT UPPER
181	1767883	0		PAD
216	1768835	0		TRIM {13037}
217	1745366	0		HANGER-CABLE {13037}
219	1752694	0		TRIM {13037}
224	1768840	0		TRIM-HEAT SHIELD {13037}
236	1186329	0	S	SCR-HFLK 5/16-18X.75 ZP
309	1747738	0	/P	CLIP-J
349	1767867001	0		PLATE-PIVOT RH
350	1767868001	0		PLATE-PIVOT LH
353	1767963	0		SHIELD-HEAT {13036/037}
600	1735222	0	/P/F	PAINT-BLACK SPRAY
601	1900706	0	S/F	PAINT-RED SPRAYCAN POWDER
651		0		UNKNOWN
66		0		UNKNOWN
7		0		UNKNOWN

13035 13HP GEAR DRIVE TRACTOR (S/N 130350100101)  
HYDRO TRANSMISSION (650) PARTS



F-9

13035 13HP GEAR DRIVE TRACTOR (S/N 130350100101)  
HYDRO TRANSMISSION (650) PARTS

Page 16 of 22

Ref #	Part Number	Qty	S/P/F	Description
1	1769260	0		HOUSING-UPPER
2	1769261	0		RING-V
3	1769262	0		SCR-SELF TAP 1/4-20X.734
4	1769263	0		ASSM-SHAFT & CAM
5	1769264	0		SPACER
6	1769265	0	/P	BLOCK FRICTION
7	1769266	0		NUT-HEX/JAM
8	1769267	0		ADJUSTMENT-STUD
9	1769268	0		RING-O
10	1769269	0		KEY-DRIVE
11	1769270	0		ASSM-BEARING
12	1769271	0		WASHER-.505 X .942 X .040
13	1769272	0		SHAFT-INPUT
14	1769273	0		BRAKE-DISC
15	1769274	0		SPUR-GEAR 10T
16	1769275	0	F	KIT-SHIM (.500 SHAFT)
17	1769276	0		ASSM-BEARING
18	1769277	0		SHAFT-IDLER
19	1769278	0		WASHER-.632 X 1.0 X .041
20	1769279	0		SPACER .630 X 1.00 X .549
21	1769280	0		SPUR-GEAR 41T
22	1769281	0	/P	WASHER-NEOPRENE
23	1769282	0		WASHER-.758X1.25X.031
24	1769283	0		AXLE-TRANSMISSION LH
25	1769284	0		MITER-GEAR 15T
26	1769285	0	/P	RING-RETAINING
27	1769286	0		SPUR-GEAR 41T
28	1769287	0		MITER-GEAR 15T
29	1769288	0		SHAFT-CROSS
30	1769289	0		AXLE-TRANSMISSION RH
31	1769290	0	/P	KIT-SHIM (.750 SHAFT)
32	1769291	0		HSG-TRANSMISSION LOWER
33	1769292	0		RING-RETAINING
34	1769293	0	/P/F	KIT-SHIM (.670 SHAFT)
35	1769294	0	/P	SCR-HHC #6-32X.88
36	1769295	0		PULLEY-4.50" DIA
37	1769296	0	/P	HUB
38	1769297	0	S	KIT-FAN
39	1769298	0	/P	NUT-H/LK #6-32
40	1769299	0	S	ASSM-HYDROSTATIC
41	1769300	0	/P	KEY-WOODRUFF
42	1770921	0		CAP
43	1770922	0	/P	DIAPHRAGM
44	1770924	0	/P	RESERVOIR
45	1186312	0		SCR-HFLK 1/4-20X1.00
46	1770923	0		RING-O





13035 13HP GEAR DRIVE TRACTOR (S/N 130350100101)  
LIFT ASSEMBLY

Page 18 of 22

Ref #	Part Number	Qty	S/P/F	Description
1	1765435001	0	S	ASSM-FRAME LTX
9	1186391	0	S	NUT-HFLK 5/16-18 ZP
13	1733398	0	S	NUT-LOCK 3/8-16
85	1107383	0	S	WASHER-FLAT 3/8 SAE
163	1186231	0	S	NUT-HEX 3/8-16 ZP
197	1767877	0		DECAL-WARNING
227	1100349	0	S	PIN-COTTER .125 X .75 ZP
230	1100351	0		PIN-COTTER .120X1.25 ZP
231	1111614	0	S	SCR-HH 3/8-16X3.0 G5 ZP
232	1100799	0	S	SCR-HH 5/16-18X1.5 G5 ZP
233	1107386	0	S	WASHER-1.305X.649X.098 ZP
234	1185376	0	/P	PIN-DRIVE
?235	1817091	0		PIN-HITCH
236	1186329	0	S	SCR-HFLK 5/16-18X.75 ZP
237	1187961	0	/P	PIN-ROLL .156X1.0
239	1714521	0		BEARING-SPHERICAL
240	1717942	0		NUT-SPECIAL 5/16-18
241	1738490	0	/P	SPACER
242	1763355	0	S	WASHER-1.5X.375X.18 ZP
243	1765445	0		SPRING-LIFT ASSIST
244	1765457	0		BRKT-LIFT ASSIST
245	1765458	0		SCR-LIFT ASSIST
246	1765485	0	/P	KNOB-HEIGHT ADJUST
247	1766028	0		BLOCK-DETENT
248	1766029001	0		LATCH
249	1766048	0		KIT-SVC SCR HGT ADJ
250	1766057	0		CLAMP-LIFT
251	1766058	0		ROD-LIFT
252	1766059	0	/P	SWIVEL-LIFT REAR
254	1766080	0		SPACER
255	1766174	0		SPRING-EXTENSION
256	1766175	0		SCR-SHOULDER
257	1766178	0		ROD
259	1766257	0		BLOCK-HEIGHT ADJUST
260	1766259	0		COLLAR-HEIGHT ADJUST
261	1766340	0		GRIP-LIFT
?262	1766346	0		GROMMET-SNAP BUSHING
276	1767880	0	S	BUTTON-LIFT
?525	1766032001	0		HANDLE-LIFT
526	1764140	0	/P	BUSHING
527	1766068001	0		LIFT
528	1185649	0	/P	RING-RETAINING EXT .694 ID
?529	1768718	0		LINK-LIFT W/DECAL
?530	1768717	0	/P	LINK-LIFT W/DECAL
	1735222	0	/P	PAINT-BLACK SPRAY
	1900706	0	S	PAINT-RED SPRAYCAN POWDER
286		0		UNKNOWN
629		0		UNKNOWN
630		0		UNKNOWN



13035 13HP GEAR DRIVE TRACTOR (S/N 130350100101)  
STEERING ASSEMBLY

Page 20 of 22

Ref #	Part Number	Qty	S/P/F	Description
?1	1765435001	0	S	ASSM-FRAME LTX
9	1186391	0	S	NUT-HFLK 5/16-18 ZP
15	1766027	0	/P	WHEEL-STEERING
16	1765443	0		SUPPORT-STEERING SHAFT
17	1765010	0	/P	SHAFT-STEERING
18	1765243	0		GEAR-PINION
20	1768771	0	S	ASSM-STEERING GEAR
22	1766221	0		CAP-STEERING
23	1185284	0	S	PIN-ROLL .25X2.25
24	1185348	0	S	PIN-ROLL 1/4 X 1-1/4
28	1705092	0	S	WASHER-1.0X.64X.09
29	1177567	0	S	RING-RETAINING
30	1768796	0	S	NUT-HEX/JAM 1/2-20
31	1758231	0	S	NUT-H/LK 5/8-11
32	1767953	0		SCR-HH
33	1766984	0	/P	SCR-HFLK 5/16-18X.75
34	1765315	0		LINK-DRAG
35	1186247	0	S	NUT-JAM
36	1716180	0		JOINT-BALL
40	1766241	0	/P	WASHER-SPEC .75X2.50
41	1185830	0	S	WASHER-1.38 X.765X .06 ZP
110	1766215	0		CAP-HUB
?175	1185388	0	S	RING-RET."E".577 ID
236	1186329	0	S	SCR-HFLK 5/16-18X.75 ZP
?366	1100266	0	S	WASHER-1.75X.687X.134 ZP
?387	1731504	0	S	FITTING-GREASE 90 DEGREE
501	1765263001	0		ASSM-SPINDLE LH
502	1110150	0	S	NUT-LOCK
503	1764140	0	/P	BUSHING
504	1701447	0	/P	WASHER-1.25X.765X.049
505	1185689	0		RING-HEAVY EXT HD 1.0 ID
506	1765009001	0	S	KIT-TIE ROD W/HDW
507	1765169001	0		AXLE-FRONT
508	1765004001	0		ASSM-SPINDLE WHEEL RH
509	1762254	0	S	TIRE 15X6.00-6RS
510	1767276	0	/P	DISC WHEEL
511	1718086	0	S	STEM-VALVE
512	1767273	0	S	BEARINGS-WHEEL
532	1185976	0	S	FITTING-GREASE 1/4-28X2.00
537	1185388	0	S	RING-RET."E".577 ID
550	1747303	0		BEARING
	1735222	0	/P	PAINT-BLACK SPRAY
355		0		UNKNOWN
367		0		UNKNOWN
603		0		UNKNOWN



13035 13HP GEAR DRIVE TRACTOR (S/N 130350100101)  
WIRING DIAGRAM

Page 22 of 22

Ref #	Part Number	Qty	S/P/F	Description
	0	0		ILLUSTRATION ONLY