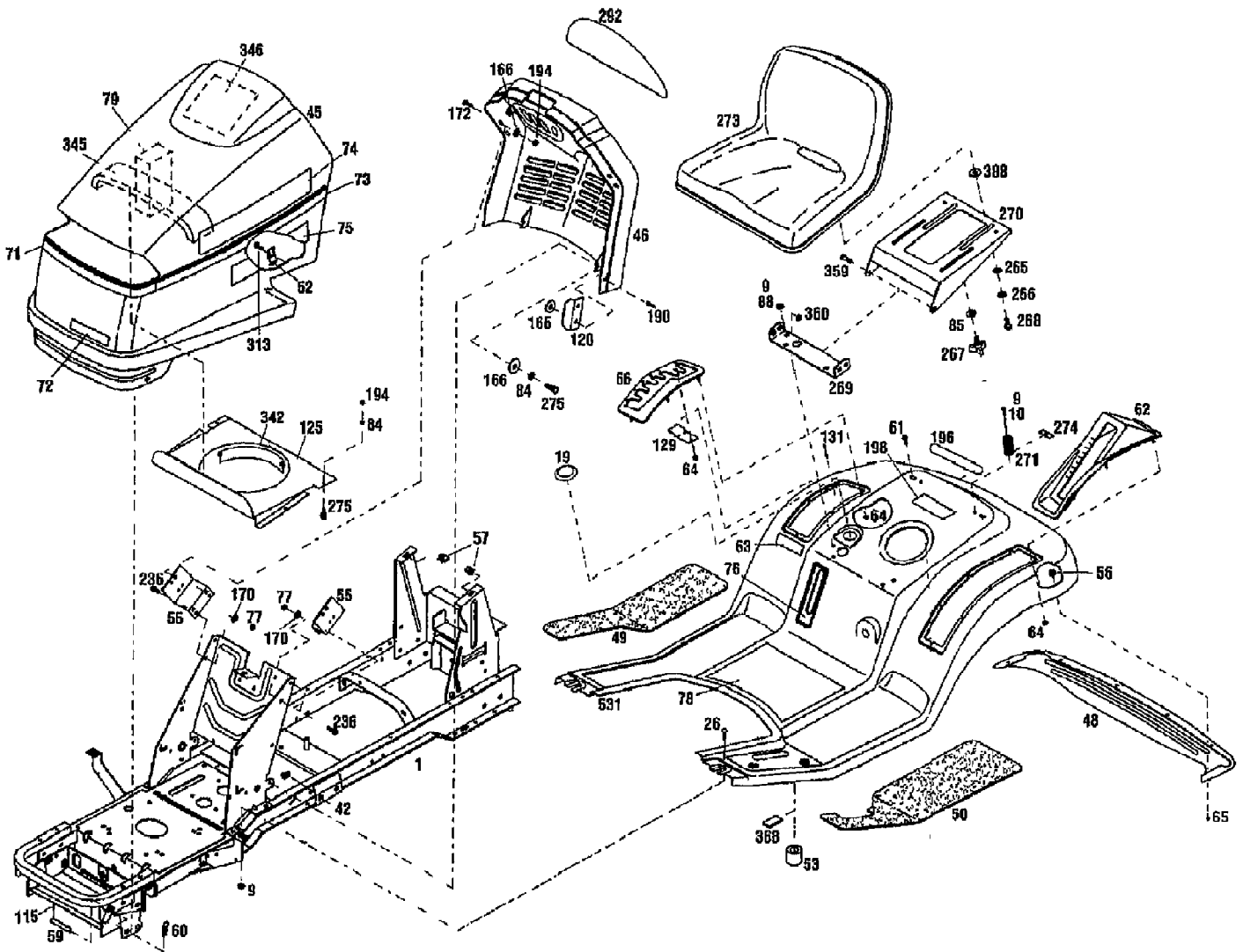


13034 13HP GEAR DRIVE TRACTOR (S/N 130340100101)
BODYWORK & TRIM ASSEMBLY



13034 13HP GEAR DRIVE TRACTOR (S/N 130340100101)
BODYWORK & TRIM ASSEMBLY

Page 2 of 21

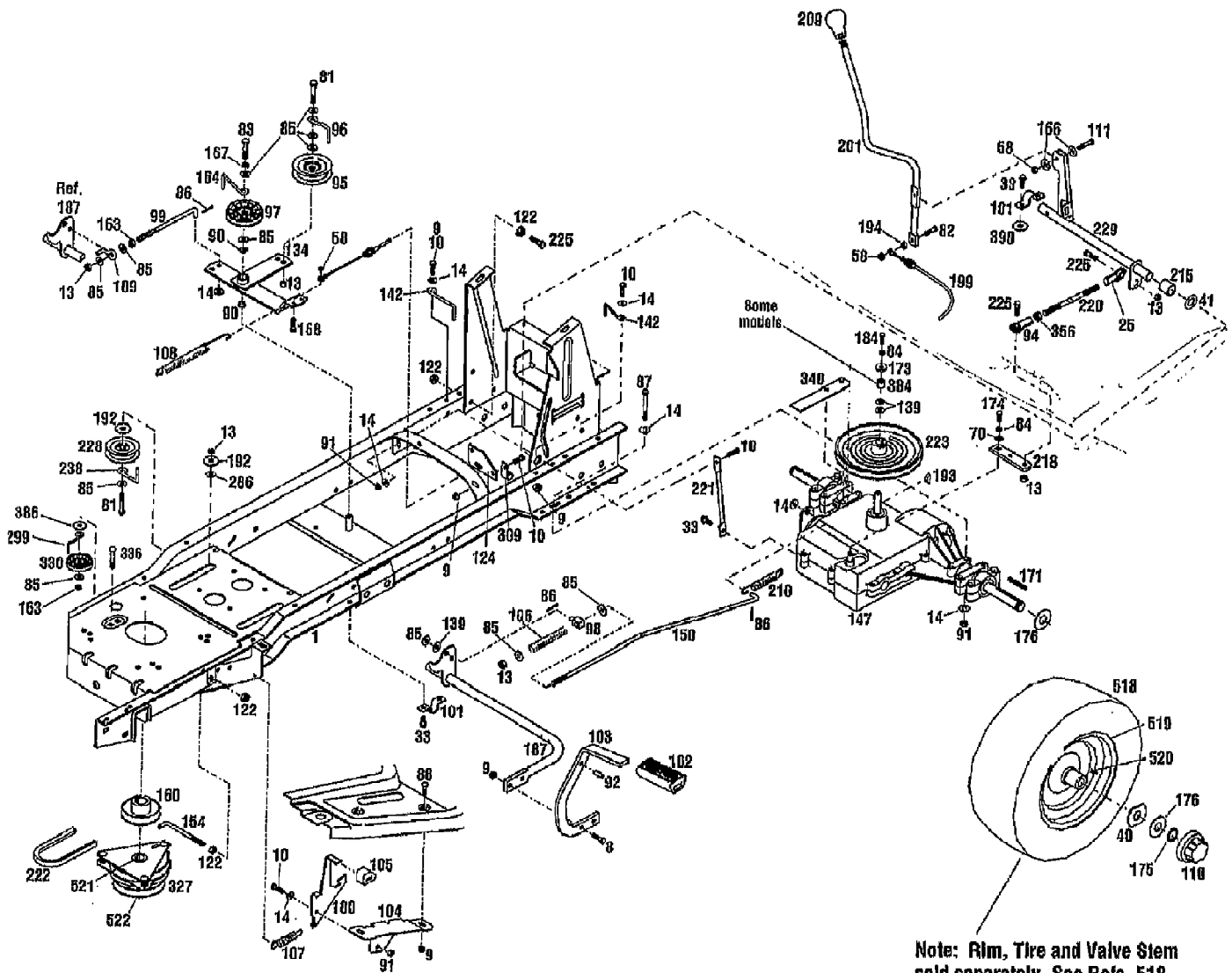
Ref #	Part Number	Qty	S/P/F	Description
1	1765435001	0	S	ASSM-FRAME LTX
9	1186391	0	S	NUT-HFLK 5/16-18 ZP
10	1100044	0	S	SCR-HHC 5/16-18X.75 GR 5 ZP
19	1768787	0		PLUG 2.50
26	1186100	0	/P	SCR-CARR 5/16-18X1.0 G2 ZP
42	1185893	0	/P	NUT-SPEED
45	1765382	0		HOOD-TRACTOR
46	1765376	0		CONSOLE
48	1765331010	0		TRIM-FENDER REAR
49	1765370	0		PAD-FOOT RH
50	1765371	0	S	PAD-FOOT LH
?52	1765384	0		LATCH
53	1730681	0	/P	SPACER-TUBULAR
55	1768775001	0		BRKT-MOUNTING
56	1186389	0	/P	NUT-HF/LK 1/4-20 ZP
57	1761680	0	S	NUT-SELF RETAIN 5/16-18
59	1765497	0		PIN-PIVOT HOOD
60	1723478	0	/P	PIN-HITCH .125X2.56 ZP
61	1186330	0	S	SCR-LOCK
62	1766139	0	S	COVER-LIFT HANDLE
63	1901900	0	/P	DECAL-AMERICAN LEGEND-LRG
64	1750532	0	S	NUT-SELF THREADING
65	1186309	0	/P	SCR-HH 1/4-20X.625
66	1765310	0		QUADRANT-SHIFT
71	1766383	0		DECAL-STRIPE HOOD FRONT
72	1759101	0		DECAL-LOGO
73	1766382	0		DECAL-STRIPE SIDE
74	1767886	0	/P	DECAL-LOGO TROY-BILT
?75	1767812	0		DECAL-MODEL 13034
76	1766140	0		DECAL-FUEL LEVEL
77	1186230	0	S	NUT-HEX 5/16-18 ZP
78	1766142	0		DECAL-OPER INST
84	1100241	0	S	WASHER-LK .25 ZP
79	1768829	0		BLOCK-SEALING
84	1100241	0	S	WASHER-LK .25 ZP
85	1107383	0	S	WASHER-FLAT 3/8 SAE
?88	1186097	0	S	SCR-CARR 5/16-18X.62 G2 ZP
115	1120210	0		PIN-ROLL .188X1.0
?120	1768828001	0		BRKT-HOOD ALIGN
125	1767873001	0		SHIELD-HEAT UPPER
129	1767878	0		SUPPORT-SHIFT ARM
131	1186424	0		RIVET-POP .125
165	1736359	0	/P	WASHER-.88X.2X.059
166	1720883	0	/P	WASHER-FLAT 1.25X.28X.062 ZP
170	1100242	0	S	WASHER-LK .312 ZP
172	1816081	0		SCR
190	1739918	0		RIVET-POP
194	1186229	0	S	NUT-HEX 1/4-20 ZP
196	1759102	0		DECAL-LOGO FENDER
198	1767876	0		DECAL-FUEL
236	1186329	0	S	SCR-HFLK 5/16-18X.75 ZP
265	1705793	0		WASHER-1.06X.51X.09 NYLON
266	1706782	0	/P	WASHER-BOW .74X.52X.01

13034 13HP GEAR DRIVE TRACTOR (S/N 130340100101)
BODYWORK & TRIM ASSEMBLY

Page 3 of 21

Ref #	Part Number	Qty	S/P/F	Description
267	1734269	0		KNOB
?268	1754125	0	/P	SCR-SHLDR 3/8-16X.25 G5ZP
269	1766075001	0		BRKT-SUPPORT SEAT
270	1766074001	0	/P	SUPPORT-SEAT
271	1766077	0	/P	SPRING-COMPRESSION
273	1766160	0		KIT-SEAT (TRACTOR)
274	1766347	0	/P	BRKT-SPRING HOLD DOWN
275	1111599	0	S	SCR-HH 1/4-20X.625 G5 ZP
292	1766349	0		LENS-INSTRMTS WARN LIGHTS
313	1185712	0		SCR
342	1767897	0		GASKET-HEAT SHIELD
345	1767898	0		STRIP-SEALING
346	1765397	0		DECAL-SERVICE
359	1100913	0	S	SCR-HH 3/8-16X.88 G5 ZP
?360	1110108	0	S	NUT-H/LK 3/8-16
?368	1767995	0		PAD
388	1893445	0	S	WASHER-FLAT
531	1768716	0		FENDER-RED W/DECALS
	1735222	0	/P	PAINT-BLACK SPRAY
	1900706	0	S	PAINT-RED SPRAYCAN POWDER
128		0		UNKNOWN
258		0		UNKNOWN
288		0		UNKNOWN
380		0		UNKNOWN
398		0		UNKNOWN
89		0		UNKNOWN

13034 13HP GEAR DRIVE TRACTOR (S/N 130340100101)
DRIVELINE/TRANSAXLE



13034 13HP GEAR DRIVE TRACTOR (S/N 130340100101)
DRIVELINE/TRANSAXLE

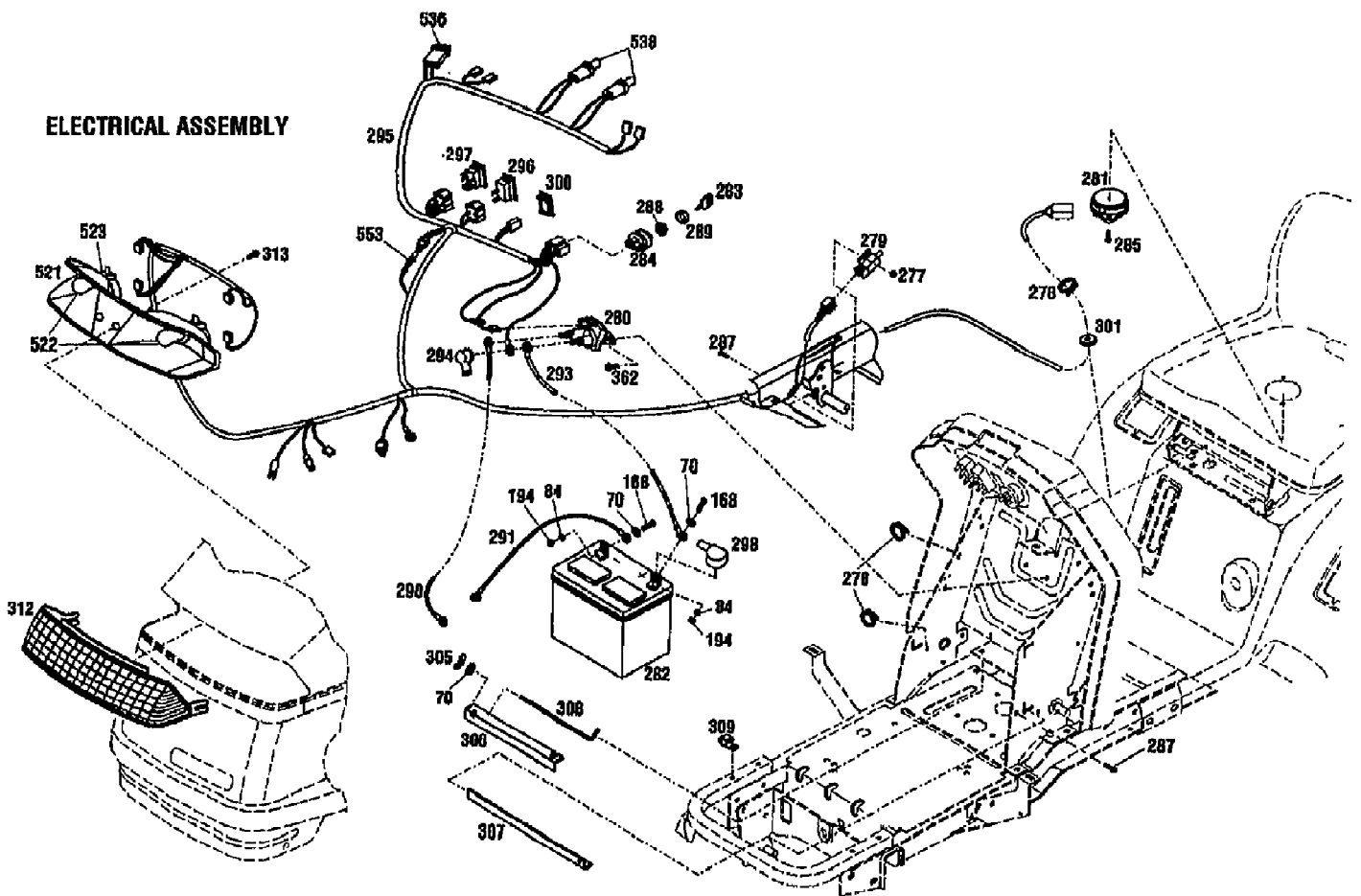
Page 5 of 21

Ref #	Part Number	Qty	S/P/F	Description
1	1765435001	0	S	ASSM-FRAME LTX
8	1100045	0	S	SCR-HH 5/16-18X1.0 G5 ZP
9	1186391	0	S	NUT-HFLK 5/16-18 ZP
10	1100044	0	S	SCR-HHC 5/16-18X.75 GR 5 ZP
13	1733398	0	S	NUT-LOCK 3/8-16
14	1107382	0	/P	WASHER-FLAT 5/16 SAE
25	1767987	0		JOINT-BALL
33	1724491	0	S	SCR-HFLK 5/16-18X.75
40	1766241	0	/P	WASHER-SPEC .75X2.50
41	1703073	0	/P	WASHER-THRUST
58	1734398	0	S	NUT-HT LK 1/4-20
70	1107381	0	S	WASHER-FLAT 1/4 SAE
81	1100048	0	S	SCR-HH 3/8-16X2.0 G5 ZP
82	1100069	0	S	SCR-HH 1/4-20X1.0
83	1100086	0	S	SCR-HH 3/8-16X1.75 G5 ZP
84	1100241	0	S	WASHER-LK .25 ZP
85	1107383	0	S	WASHER-FLAT 3/8 SAE
86	1100346	0	S	PIN-COTTER .09X.75 ZP
87	1111609	0	S	SCR-HH 5/16-18X2.75 G5 ZP
88	1186097	0	S	SCR-CARR 5/16-18X.62 G2 ZP
90	1715538	0	/P	BUSHING-.5X.5 NYLON FLNG
91	1732499	0	/P	NUT-TOP/LK 5/16-18 ZP
92	1733103	0	/P	PIN-.312X.75
94	1767837	0	/P	JOINT-BALL
95	1756151	0	/P	IDLER
96	1760096	0	/P	GUIDE-BELT
97	1760097	0	/P	PULLEY-IDLER
?98	1751848	0		SWIVEL
99	1765044	0		ROD-CLUTCH
100	1765096	0		LATCH-BRAKE CLUTCH USE1771514
101	1765156	0		CLIP-CLAMP .75 ID
102	1765167	0		PAD-FOOT PEDAL
103	1765252	0		PEDAL-BRAKE
104	1765257	0		BRKT-BRAKE LOCK
105	1765297	0		PAD-BRAKE
106	1765305	0		SPRING-COMPRESSION
107	1985140	0		SPRING-EXTENSION
108	1765402	0	/P	SPRING-EXTENSION
109	1765461	0		ROD-PIVOT
110	1766215	0		CAP-HUB
111	1186312	0		SCR-HFLK 1/4-20X1.00
122	1186393	0	/P	NUT-HFLK 3/8-16 ZP
124	1767889	0		SUPPORT-CABLE
134	1765048	0		PLATE-IDLER
139	1890945	0	S	WASHER-FLAT .375DIA
142	1767808	0		GUIDE-BELT
147	0	0		TRANSAXLE, PEERLESS 930
150	1767895	0		ROD-BRAKE
154	1766025	0	/P	RETAINER-CLUTCH
160	1766200	0	/P	PULLEY-ENGINE
163	1186231	0	S	NUT-HEX 3/8-16 ZP
164	1767900	0		GUIDE-BELT
166	1720883	0	/P	WASHER-FLAT 1.25X.28X.062 ZP

13034 13HP GEAR DRIVE TRACTOR (S/N 130340100101)
DRIVELINE/TRANSAXLE

Page 6 of 21

Ref #	Part Number	Qty	S/P/F	Description
167	1100243	0	S	WASHER-LK .375 @ DEPL
168	1100805	0	S	SCR-HH 1/4-20X.75 G5 ZP
171	1104335	0	S	KEY-.188 SQ X 2.0
173	1761608	0		WASHER-.865X.281X.1793
174	1111683	0	S	SCR-HHC 1.4-28 X .50
175	1185388	0	S	RING-RET."E".577 ID
176	1747998	0		WASHER-1.87X.765X.06 SPECIAL
184	1111600	0	S	SCR-HH 1/4-20 X .875
187	1765031	0		ASSM-BRAKE PEDAL
192	1891733	0	S	WASHER-1.12X.378X.125
193	1104436	0	S	KEY-WOODRUFF .188X.75
194	1186229	0	S	NUT-HEX 1/4-20 ZP
199	1765043	0	/P	CABLE-SHIFT
201	1765052	0		ARM-SHIFT
209	1766115	0		KNOB
210	1767884	0	/P	SPRING-EXTENSION
215	1766345	0		SPACER
218	1766186	0		ARM-TRANSMISSION
220	1767986	0		ROD-ADJUSTING
221	1767894	0		SUPPORT-TRANS
222	1765300	0	/P	BELT-V
223	1765463	0	/P	PULLEY-TRANSMISSION
225	1100043	0	S	SCR-HH 3/8-16X1.25
228	1713803	0	S	IDLER-SHEAVE 3" X 1"
229	1766212	0		SHAFT-PIVOT
238	1767892	0		GUIDE-BELT
286	1768818	0	S	WASHER-.75X.406X.092
299	1729780	0	/P	GUIDE-BELT
309	1747738	0	/P	CLIP-J
327	1755341	0	S	CLUTCH-ELECTRIC
330	1756164	0		PULLEY-IDLER
?336	1186132	0	S	BOLT-CARR
340	1767899	0		STOP-TRANSMISSION
356	1186245	0	S	NUT-HEX/JAM 3/8-24 ZP
384	1718652	0		SPACER-625X.376X.625
386	1107385	0	S	WASHER-1.06X.531X.1 ZP
390	1705108	0	S	WASHER-.632X.39X.0329
518	1766275	0		TIRE-20X8.00-10
519	1765606	0		DISC-WHEEL
520	1718086	0	S	STEM-VALVE
?551	1724194	0		BEARING-UPPER CLUTCH
?552	1754156	0	/P	BEARING-CLUTCH LOWER
68		0		UNKNOWN
80		0		UNKNOWN
522		0		UNKNOWN
521		0		UNKNOWN
396		0		UNKNOWN

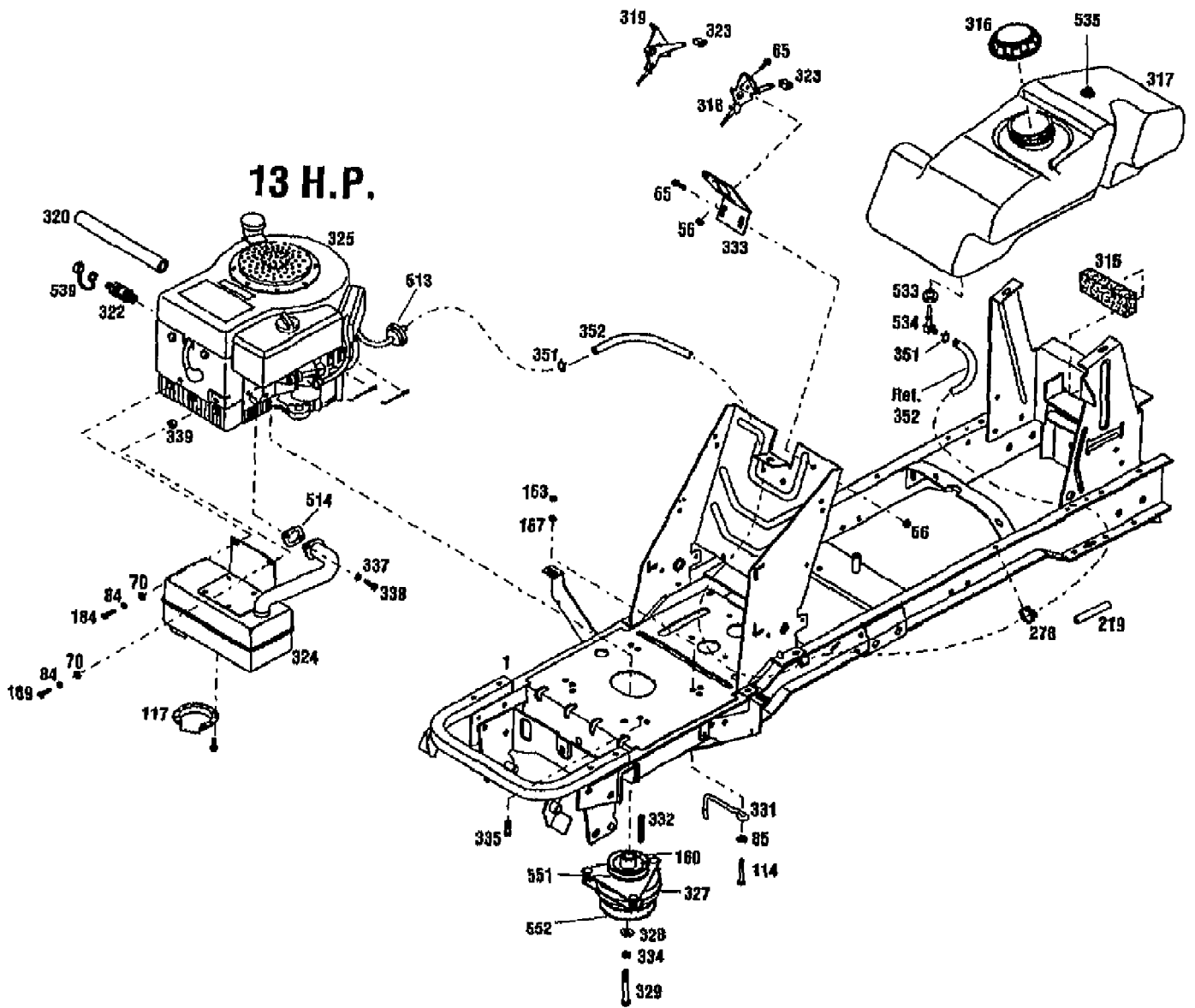


13034 13HP GEAR DRIVE TRACTOR (S/N 130340100101)
ELECTRICAL ASSEMBLY

Page 8 of 21

Ref #	Part Number	Qty	S/P/F	Description
70	1107381	0	S	WASHER-FLAT 1/4 SAE
84	1100241	0	S	WASHER-LK .25 ZP
168	1100805	0	S	SCR-HH 1/4-20X.75 G5 ZP
194	1186229	0	S	NUT-HEX 1/4-20 ZP
277	1185985	0	S	NUT W/LKWASHER 10-24 ZP
278	1735531	0	S	TIE-CABLE NYLON BLACK
279	1751328	0	S	SWITCH
280	1752137	0	S	SOLENOID
281	1752506	0	/P	SWITCH-SEAT
282	1751497	0	S	BATTERY
283	1753986	0	/P	KEY-IGNITION
284	1754250	0	S	SWITCH-IGNITION
285	1755349	0		SCR-PHP 1/4-20X.50 ZP
287	1758070	0	S	SCR-HHS 10-24X.625 ZP
288	1758146	0	S	NUT-SWITCH
289	1758147	0	S	CAP-SWITCH
?290	1764898	0	S	CABLE-STARTER
291	1764886	0		CABLE-BATTERY (-)
293	1764888	0		CABLE-BATTERY
294	1764890	0		BOOT-SOLENOID
295	1764892	0		HARNES-MAIN
296	1764894	0		SWITCH-LIGHT
297	1764895	0	S	SWITCH-PTO
298	1764899	0		BOOT-TERMINAL
300	1766184	0		COVER-SWITCH
301	1766264	0		GROMMET
305	1709652	0		NUT-WING
?306	1765258001	0	S	CLAMP-BATTERY
307	1765444001	0		BRKT-BATTERY LOWER
308	1766163	0	S	SCR-HOOK
309	1747738	0	/P	CLIP-J
312	1765400	0	/P	LENSE-HEADLIGHT
313	1185712	0		SCR
362	1724492	0		SCR 1/4-20X.5 FL SELF TAP
521	1765398	0	S	ASSM-HEADLIGHT
522	1752872	0	S	LIGHTBULB
523	1752875	0		SOCKET
536	1768969	0	S	FUSE
538	1764897	0	S	LIGHTBULB
553	1764896	0		ASSM-DIODE
?600	1735222	0	/P/F	PAINT-BLACK SPRAY
?601	1900706	0	S/F	PAINT-RED SPRAYCAN POWDER
396		0		UNKNOWN

13034 13HP GEAR DRIVE TRACTOR (S/N 130340100101)
ENGINE ASSEMBLY

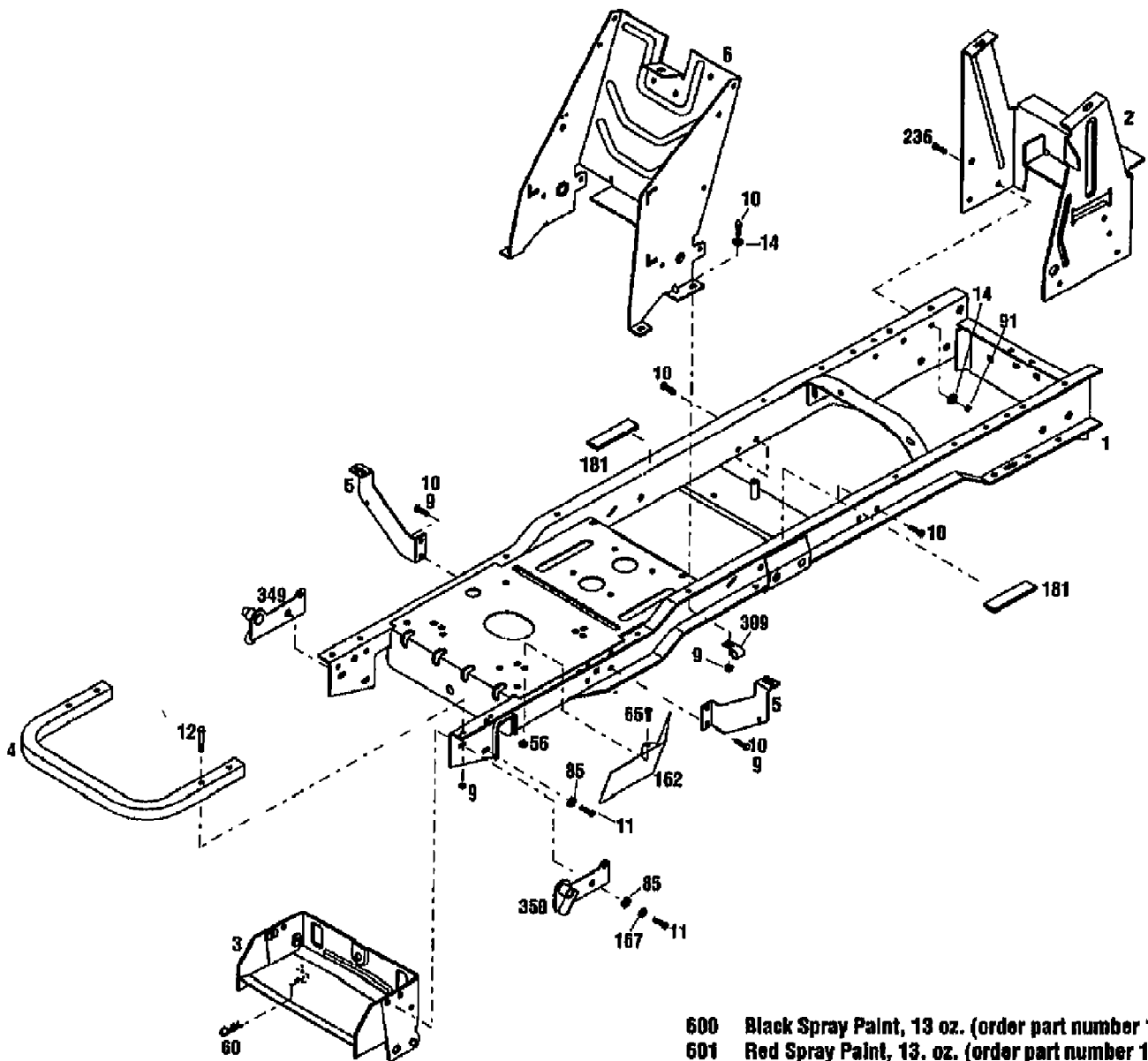


13034 13HP GEAR DRIVE TRACTOR (S/N 130340100101)
ENGINE ASSEMBLY

Page 10 of 21

Ref #	Part Number	Qty	S/P/F	Description
1	1765435001	0	S	ASSM-FRAME LTX
56	1186389	0	/P	NUT-HF/LK 1/4-20 ZP
65	1186309	0	/P	SCR-HH 1/4-20X.625
70	1107381	0	S	WASHER-FLAT 1/4 SAE
84	1100241	0	S	WASHER-LK .25 ZP
85	1107383	0	S	WASHER-FLAT 3/8 SAE
114	1768194	0	S	SCR-THRD FRM 3/8-16X1.50
117	1758940	0	S	DEFLECTOR-MUFFLER
160	1766200	0	/P	PULLEY-ENGINE
163	1186231	0	S	NUT-HEX 3/8-16 ZP
167	1100243	0	S	WASHER-LK .375 @ DEPL
184	1111600	0	S	SCR-HH 1/4-20 X .875
189	1100806	0	S	SCR-HH 1/4-20X1.25
219	1752694	0		TRIM
278	1735531	0	S	TIE-CABLE NYLON BLACK
315	1766341	0		PAD-FUEL TANK
316	1766188	0	/P	CAP-FUEL
317	1765404	0		TANK-FUEL
318	1767983	0	S	CONTROL-THROTTLE
319	1767982	0		CONTROL-CHOKE
320	1769006	0	S	HOSE-OIL DRAIN
322	1768865	0	S	ASSM-OIL VALVE
323	1766121	0	/P	KNOB
324	1766297	0		MUFFLER
325	0	0		ENGINE, 13 HP, MODEL 28N707
327	1755341	0	S	CLUTCH-ELECTRIC
328	1744455	0	/P	WASHER-SPEC 1.42X.468X.25 ZP
329	1767165	0	S	SCR-HH 7/16-20X3.00
331	1754787	0	/P	CLUTCH-RETAINER
332	1748146	0		KEY-.25 SQ X 2.5
333	1766119001	0		BRKT-MOUNTING CONTROL
334	1100244	0	S	WASHER-LK .438 ZP
335	1762042	0		SCR-HH 3/8-16X1.0 THDFM
337	1185140	0	S	WASHER-LOCK
?338	1747993	0	S	SCR-HXSKT 5/16-18X.75 BO
339	1755340	0		SPACER-.625X.344X.34
351	1750687	0	S	CLAMP-HOSE
352	1767879	0		LINE-FUEL
513	1727491	0	S	FILTER-FUEL
514	0	0	F	MUFFLER GASKET
533	1738433	0	S	BUSHING-RUBBER
534	1751477	0	S	ELBOW-90 DEG (FUEL LINE)
535	1768804	0	S	VENT-FUEL TANK
539	1766326	0		CAP-OIL DRAIN
551	1724194	0		BEARING-UPPER CLUTCH
552	1754156	0	/P	BEARING-CLUTCH LOWER
?600	1735222	0	/P	PAINT-BLACK SPRAY
?601	1900706	0	S	PAINT-RED SPRAYCAN POWDER

13034 13HP GEAR DRIVE TRACTOR (S/N 130340100101)
FRAME ASSEMBLY



13034 13HP GEAR DRIVE TRACTOR (S/N 130340100101)
FRAME ASSEMBLY

Page 12 of 21

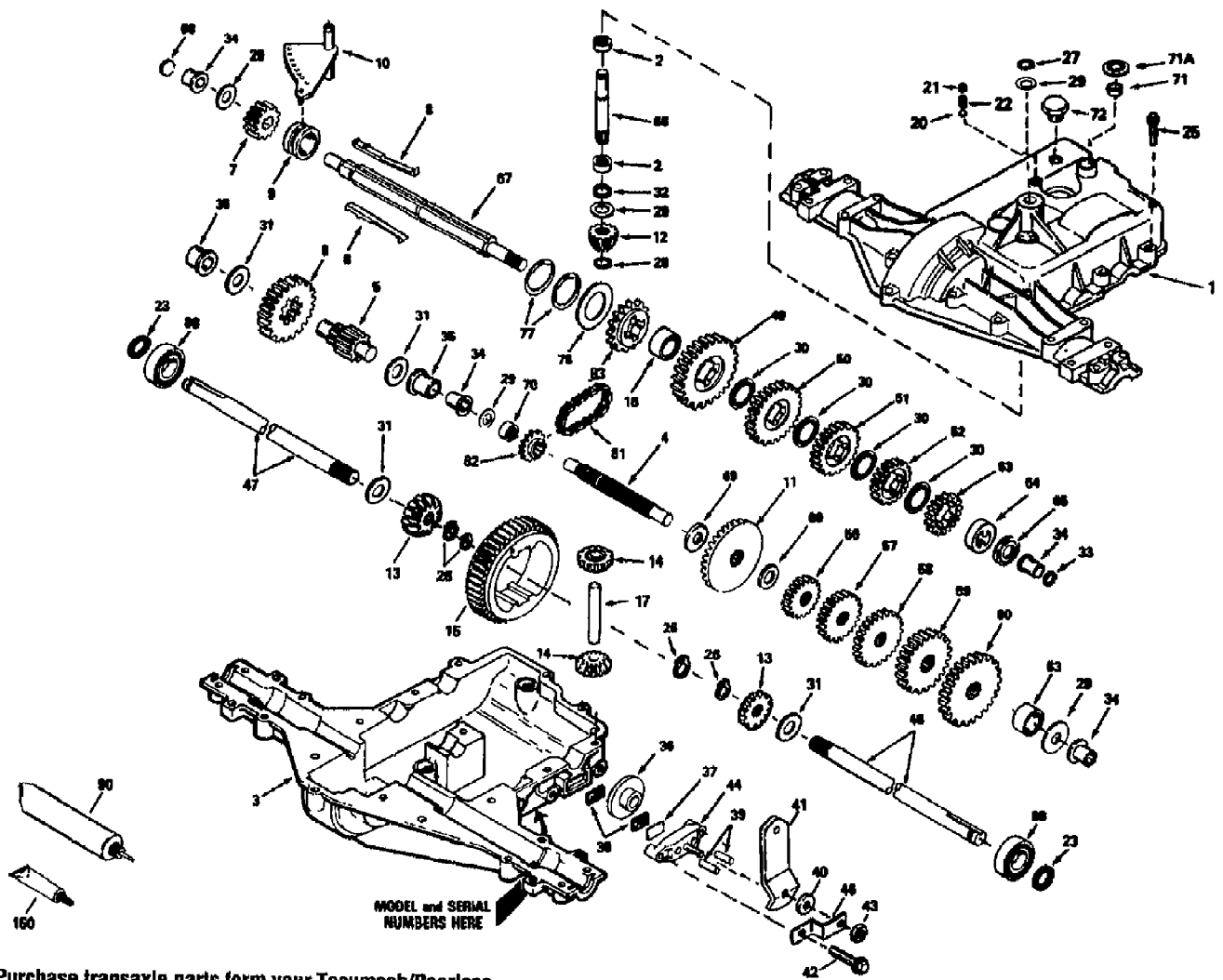
Ref #	Part Number	Qty	S/P/F	Description
1	1765435001	0	S	ASSM-FRAME LTX
2	1766050001	0		SUPPORT-REAR TANK
3	1766082001	0		ASSM-BRKT ATTACHMENT
?4	1766336001	0		BUMPER-FRONT
5	1765431001	0		SUPPORT-FENDER
6	1765446001	0		SUPPORT-CONSOLE
9	1186391	0	S	NUT-HFLK 5/16-18 ZP
10	1100044	0	S	SCR-HHC 5/16-18X.75 GR 5 ZP
11	1100046	0	S	SCR-HH 3/8-16X1.0 G5 ZP
12	1100779	0	S	SCR-HH 5/16-18X1.75
14	1107382	0	/P	WASHER-FLAT 5/16 SAE
56	1186389	0	/P	NUT-HF/LK 1/4-20 ZP
60	1723478	0	/P	PIN-HITCH .125X2.56 ZP
65	1186309	0	/P	SCR-HH 1/4-20X.625
85	1107383	0	S	WASHER-FLAT 3/8 SAE
91	1732499	0	/P	NUT-TOP/LK 5/16-18 ZP
162	1767874001	0		SHIELD-HEAT UPPER
167	1100243	0	S	WASHER-LK .375 @ DEPL
181	1767883	0		PAD
236	1186329	0	S	SCR-HFLK 5/16-18X.75 ZP
309	1747738	0	/P	CLIP-J
349	1767867001	0		PLATE-PIVOT RH
?350	1767868001	0		PLATE-PIVOT LH
?600	1735222	0	/P/F	PAINT-BLACK SPRAY
?601	1900706	0	S/F	PAINT-RED SPRAYCAN POWDER
358		0		UNKNOWN

13034 13HP GEAR DRIVE TRACTOR (S/N 130340100101)
LIFT ASSEMBLY

Page 14 of 21

Ref #	Part Number	Qty	S/P/F	Description
1	1765435001	0	S	ASSM-FRAME LTX
9	1186391	0	S	NUT-HFLK 5/16-18 ZP
13	1733398	0	S	NUT-LOCK 3/8-16
85	1107383	0	S	WASHER-FLAT 3/8 SAE
163	1186231	0	S	NUT-HEX 3/8-16 ZP
197	1767877	0		DECAL-WARNING
227	1100349	0	S	PIN-COTTER .125 X .75 ZP
230	1100351	0		PIN-COTTER .120X1.25 ZP
231	1111614	0	S	SCR-HH 3/8-16X3.0 G5 ZP
232	1100799	0	S	SCR-HH 5/16-18X1.5 G5 ZP
233	1107386	0	S	WASHER-1.305X.649X.098 ZP
234	1185376	0	/P	PIN-DRIVE
235	1817091	0		PIN-HITCH
236	1186329	0	S	SCR-HFLK 5/16-18X.75 ZP
237	1187961	0	/P	PIN-ROLL .156X1.0
239	1714521	0		BEARING-SPHERICAL
240	1717942	0		NUT-SPECIAL 5/16-18
241	1738490	0	/P	SPACER
242	1763355	0	S	WASHER-1.5X.375X.18 ZP
243	1765445	0		SPRING-LIFT ASSIST
244	1765457	0		BRKT-LIFT ASSIST
245	1765458	0		SCR-LIFT ASSIST
246	1765485	0	/P	KNOB-HEIGHT ADJUST
247	1766028	0		BLOCK-DETENT
248	1766029001	0		LATCH
249	1766048	0		KIT-SVC SCR HGT ADJ
250	1766057	0		CLAMP-LIFT
251	1766058	0		ROD-LIFT
252	1766059	0	/P	SWIVEL-LIFT REAR
254	1766080	0		SPACER
255	1766174	0		SPRING-EXTENSION
256	1766175	0		SCR-SHOULDER
257	1766178	0		ROD
259	1766257	0		BLOCK-HEIGHT ADJUST
260	1766259	0		COLLAR-HEIGHT ADJUST
261	1766340	0		GRIP-LIFT
262	1766346	0		GROMMET-SNAP BUSHING
276	1767880	0	S	BUTTON-LIFT
525	1766032001	0		HANDLE-LIFT
526	1764140	0	/P	BUSHING
527	1766068001	0		LIFT
528	1185649	0	/P	RING-RETAINING EXT .694 ID
529	1768718	0		LINK-LIFT W/DECAL
530	1768717	0	/P	LINK-LIFT W/DECAL
531	1768716	0		FENDER-RED W/DECALS
600	1735222	0	/P/F	PAINT-BLACK SPRAY
601	1900706	0	S/F	PAINT-RED SPRAYCAN POWDER

13034 13HP GEAR DRIVE TRACTOR (S/N 130340100101)
PEERLESS (#930) TRANSAXLE BREAKDOWN



NOTE: Purchase transaxle parts from your Tecumseh/Peerless dealer. Refer to transaxle for type and code.

13034 13HP GEAR DRIVE TRACTOR (S/N 130340100101)
PEERLESS (#930) TRANSAXLE BREAKDOWN

Page 16 of 21

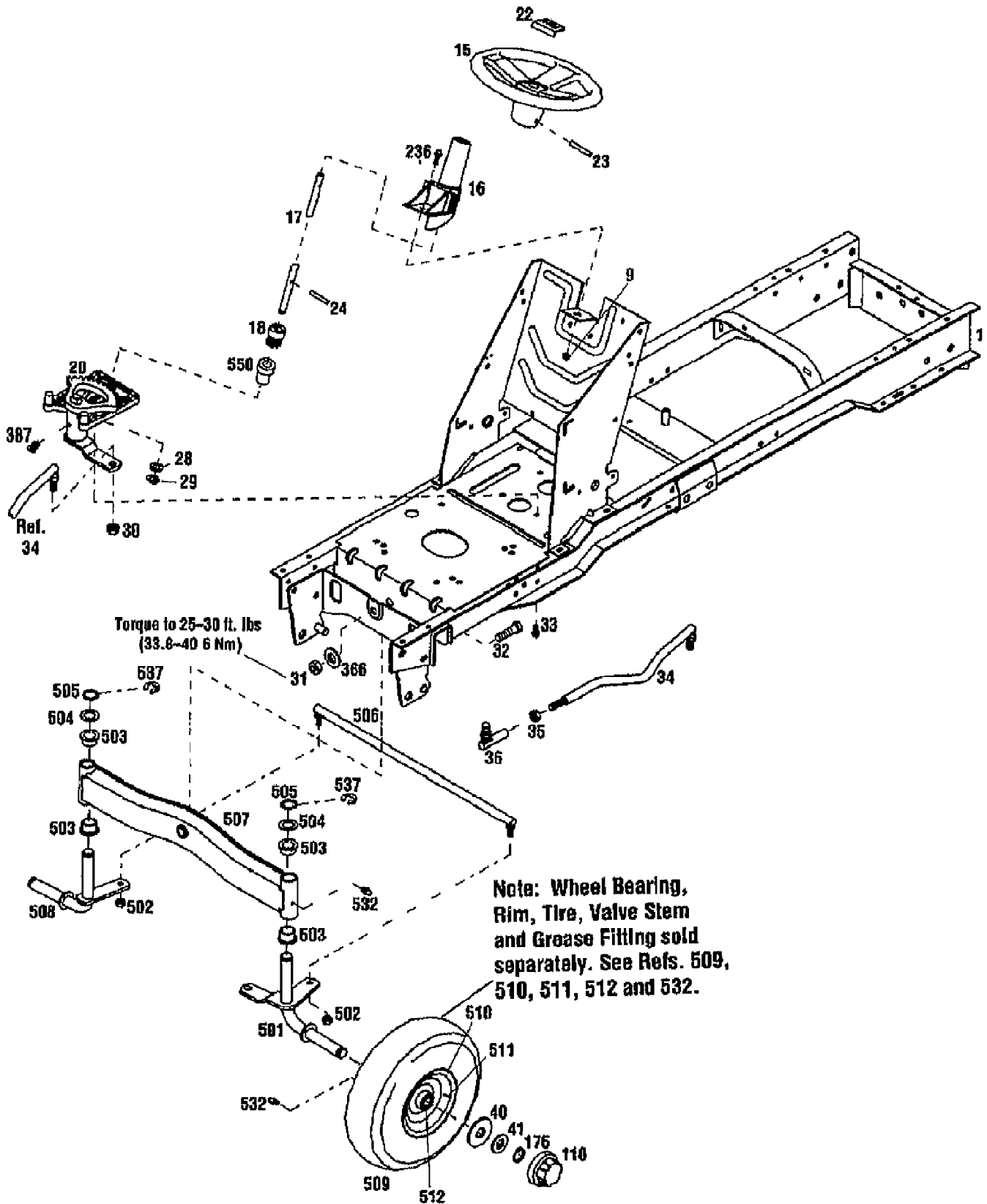
Ref #	Part Number	Qty	S/P/F	Description
1	772108A	0		COVER, TRANSAXLE
2	780086	0		NEEDLE BEARING
3	770102A	0		CASE
4	776260	0		COUNTERSHAFT
?5	776219A	0		SHAFT & GEAR
?6	778139	0		OUTPUT GEAR
7	778136	0		SPUR GEAR
8	792136	0		SHIFT KEY
9	784352	0		COLLAR
10	784362	0		ROD & FORK
11	778229	0		BEVEL GEAR
12	778113A	0	S	INPUT PINION
13	778221	0		BEVEL GEAR
14	778068	0		BEVEL GEAR
15	778260	0		RING GEAR
17	786139	0		DRIVE PIN
?18	786102	0		SPACER
20	792077	0		BALL
21	792078	0		SCREW
22	792079	0	S	SPRING
23	788061	0	S	SEAL
25	792073	0		SCREW
26	792125	0		RET RING
27	792035	0	S	RET RING
28	788040	0		RET RING
29	780072	0	S	WASHER
30	780108	0	S	WASHER
31	780001	0		WASHER
32	792001	0	S	O RING
33	788051	0		SQUARE CUT RING
34	780105A	0	S	BUSHING
35	780118A	0		BUSHING
?36	790003	0		BRAKE DISK
37	790007	0	S	BRAKE PAD PLATE
?38	799021	0		BRAKE PAD
39	786026	0	S	DOWEL PIN
40	792076A	0		WASHER
41	790031	0		BRAKE LEVER
42	792073	0		SCREW
43	792075	0		NUT
44	790025	0		HOLDER
46	786086	0		BRACKET
47	774697	0		AXLE
?48	774738	0		AXLE
?49	778191	0		SPUR GEAR
?50	778124A	0	S	SPUR GEAR
?51	778123A	0	S	SPUR GEAR
?52	778122A	0		SPUR GEAR
?53	778273	0		SPUR GEAR
?56	778230	0		SPUR GEAR
?57	778126A	0		SPUR GEAR
?58	778127A	0		SPUR GEAR
59	778128A	0		SPUR GEAR

13034 13HP GEAR DRIVE TRACTOR (S/N 130340100101)
 PEERLESS (#930) TRANSAXLE BREAKDOWN

Page 17 of 21

Ref #	Part Number	Qty	S/P/F	Description
60	778163	0		SPUR GEAR
63	786071	0		SPACER
64	786072	0		SPACER
?65	780109	0		WASHER
66	776208	0		INPUT SHAFT
67	776315A	0		BRAKE SHAFT
68	786116	0		DISK
?69	780051	0		WASHER
70	786118	0		SPACER
71	788069	0		SEAL
71A	792145	0		NUT
72	792074	0		PLUG
?76	780090	0		WASHER
77	788078A	0		RET RING
81	786062A	0		ROLLER CHAIN
82	786061	0		SPROCKET
?83	786124	0		SPROCKET
?88	780119	0		BALL BEARING
90	788067B	0		GREASE
?150	510334	0	S	SEALER

13034 13HP GEAR DRIVE TRACTOR (S/N 130340100101)
STEERING ASSEMBLY



Black Spray Paint, 13 oz. (order part number 1735222)
Red Spray Paint, 13. oz. (order part number 1900705)

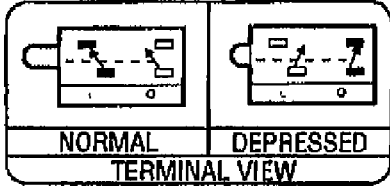
13034 13HP GEAR DRIVE TRACTOR (S/N 130340100101)
STEERING ASSEMBLY

Page 19 of 21

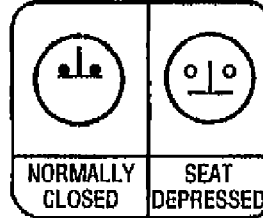
Ref #	Part Number	Qty	S/P/F	Description
?1	1765435001	0	S	ASSM-FRAME LTX
9	1186391	0	S	NUT-HFLK 5/16-18 ZP
15	1766027	0	/P	WHEEL-STEERING
16	1765443	0		SUPPORT-STEERING SHAFT
17	1765010	0	/P	SHAFT-STEERING
18	1765243	0		GEAR-PINION
20	1768771	0	S	ASSM-STEERING GEAR
22	1766221	0		CAP-STEERING
23	1185284	0	S	PIN-ROLL .25X2.25
24	1185348	0	S	PIN-ROLL 1/4 X 1-1/4
28	1705092	0	S	WASHER-1.0X.64X.09
29	1177567	0	S	RING-RETAINING
?30	1768796	0	S	NUT-HEX/JAM 1/2-20
31	1758231	0	S	NUT-H/LK 5/8-11
32	1767953	0		SCR-HH
33	1766984	0	/P	SCR-HFLK 5/16-18X.75
34	1765315	0		LINK-DRAG
35	1186247	0	S	NUT-JAM
36	1716180	0		JOINT-BALL
40	1766241	0	/P	WASHER-SPEC .75X2.50
41	1185830	0	S	WASHER-1.38 X.765X .06 ZP
110	1766215	0		CAP-HUB
?175	1185388	0	S	RING-RET."E".577 ID
236	1186329	0	S	SCR-HFLK 5/16-18X.75 ZP
366	1100266	0	S	WASHER-1.75X.687X.134 ZP
387	1731504	0	S	FITTING-GREASE 90 DEGREE
501	1765263001	0		ASSM-SPINDLE LH
502	1110150	0	S	NUT-LOCK
503	1764140	0	/P	BUSHING
504	1701447	0	/P	WASHER-1.25X.765X.049
505	1185689	0		RING-HEAVY EXT HD 1.0 ID
506	1765009001	0	S	KIT-TIE ROD W/HDW
507	1765169001	0		AXLE-FRONT
508	1765004001	0		ASSM-SPINDLE WHEEL RH
509	1762254	0	S	TIRE 15X6.00-6RS
510	1767276	0	/P	DISC WHEEL
511	1718086	0	S	STEM-VALVE
512	1767273	0	S	BEARINGS-WHEEL
532	1185976	0	S	FITTING-GREASE 1/4-28X2.00
537	1185388	0	S	RING-RET."E".577 ID
550	1747303	0		BEARING
	1735222	0	/P	PAINT-BLACK SPRAY
	1900706	0	S	PAINT-RED SPRAYCAN POWDER
597		0		UNKNOWN

WIRING DIAGRAM

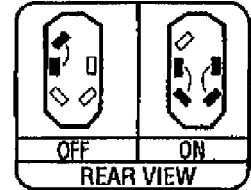
**BRAKE SWITCH
4-TERMINAL**



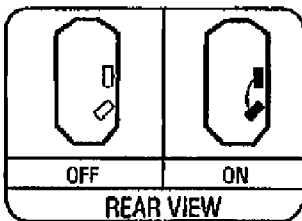
SEAT SWITCH



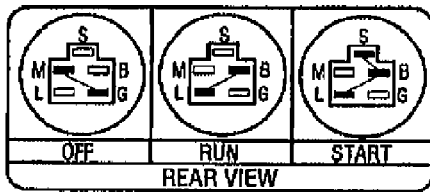
ATTACHMENT DRIVE SWITCH



LIGHT SWITCH



IGNITION SWITCH

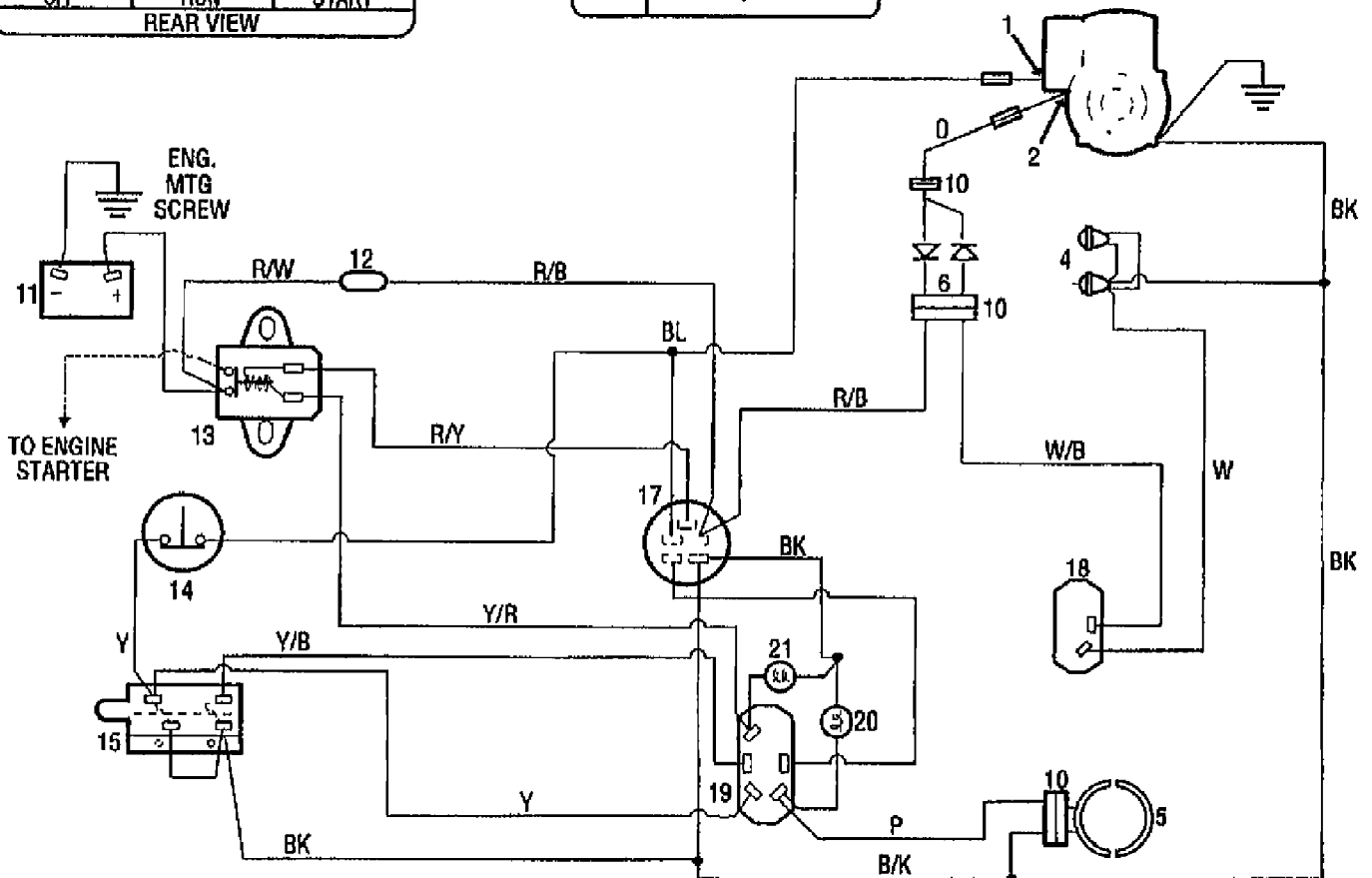


ITEM CODE

1	Magneto
2	Alternator
4	Headlights
5	Attachment Clutch
6	Clode Assembly
10	Connector
11	Battery
12	Fuse
13	Start Solenoid
14	Seat Switch
15	Brake Switch
17	Key Switch
18	Light Switch
19	Attachment Switch
20	Attachment Light
21	Start Light

WIRE COLOR CODE

BK	Black
BL	Blue
O	Orange
P	Purple
R	Red
W	White
Y	Yellow
R/W	Red/White
R/B	Red/Black
R/Y	Red/Yellow
Y/R	Yellow/Red
W/B	White/Black



13034 13HP GEAR DRIVE TRACTOR (S/N 130340100101)
WIRING DIAGRAM

Page 21 of 21

Ref #	Part Number	Qty	S/P/F	Description
	0	0		ILLUSTRATION ONLY