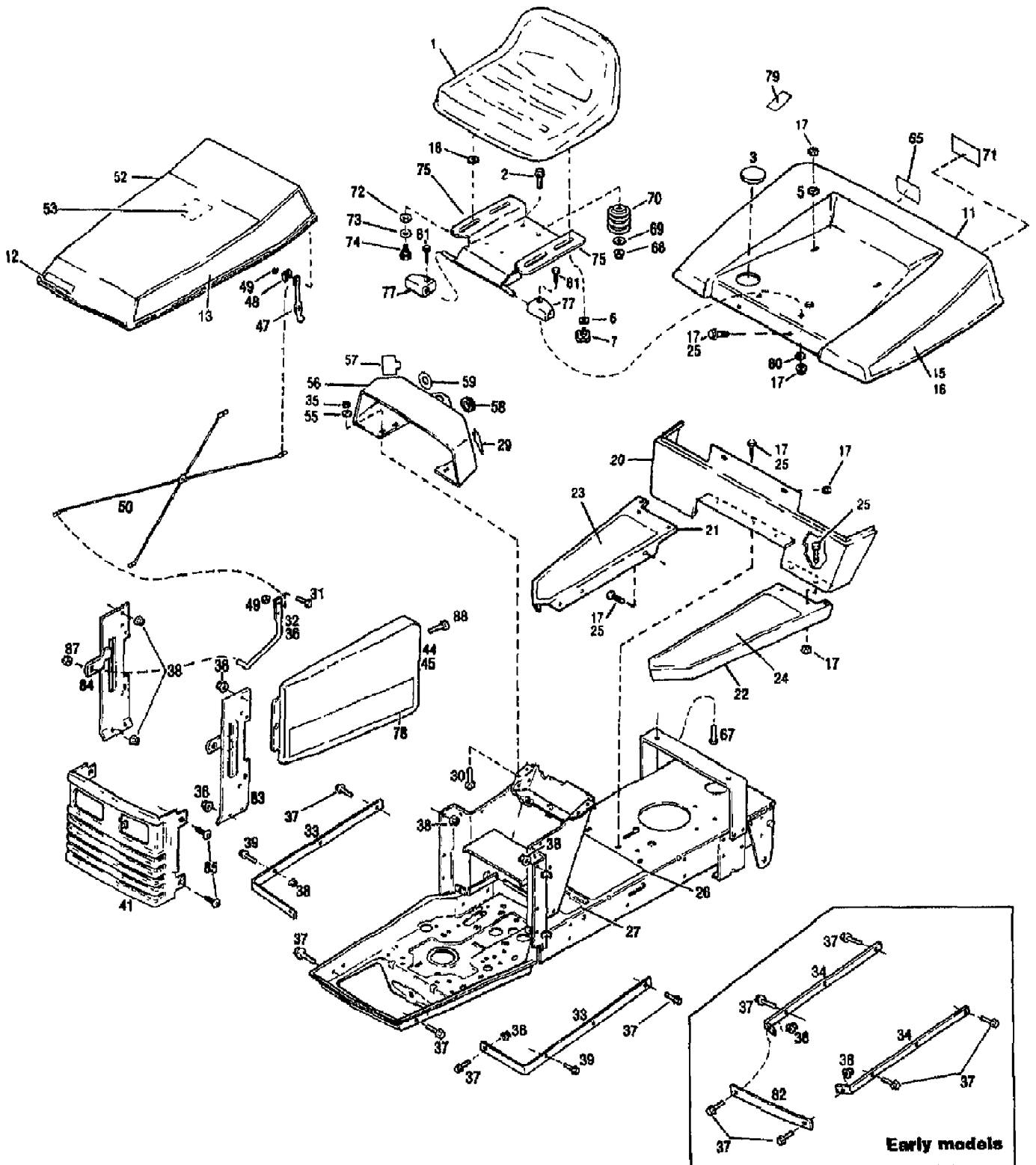


13027 14HP HYDRO SUBURBAN TRACTOR (S/N 130270100101)  
BODYWORK & TRIM ASSEMBLY



13027 14HP HYDRO SUBURBAN TRACTOR (S/N 130270100101)  
BODYWORK & TRIM ASSEMBLY

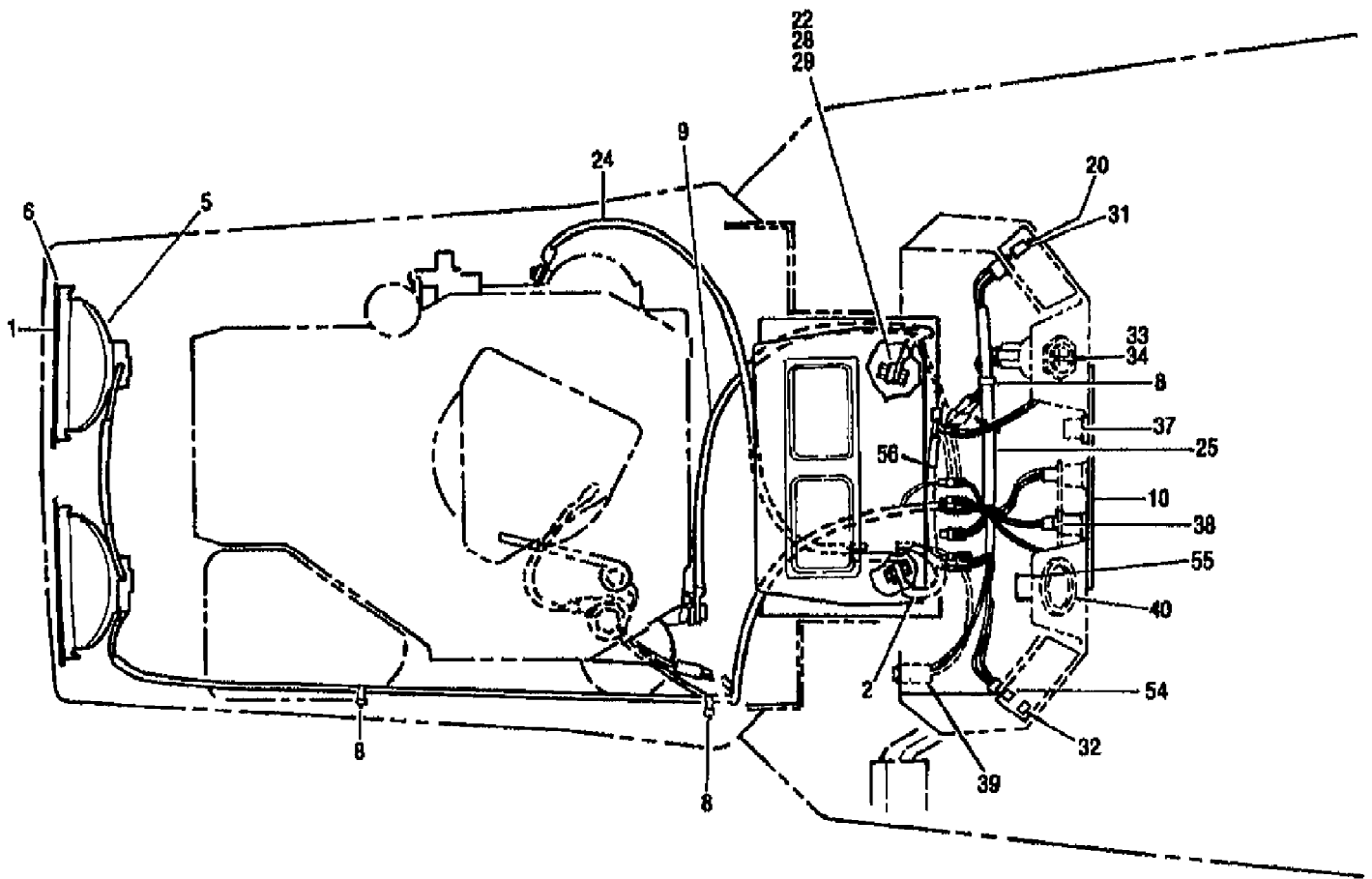
Page 2 of 19

Ref #	Part Number	Qty	S/P/F	Description
1	1756861	0	F	SEAT
1	1755950	0	F	SEAT
2	1186347	0	S	SCR-HFLK 3/8-16X1.00 ZP
3	1755790	0		PLUG
5	1713233	0	S	WASHER-1.25X.343X.059
6	1107383	0	S/F	WASHER-FLAT 3/8 SAE
7	1734269	0		KNOB
11	1761031010	0		FENDER-REAR
12	1759101	0		DECAL-LOGO
13	1759100	0		DECAL-LOGO
15	1757944	0		DECAL-FENDER RH RED
16	1757945	0		DECAL-FENDER LH RED
17	1186391	0	S	NUT-HFLK 5/16-18 ZP
18	1893445	0	S	WASHER-FLAT
20	1743987010	0		SUPT-RUNNING BOARD
21	1751805010	0		BOARD-RUNNING RH
22	1751803010	0		BOARD-RUNNING LH
23	1742665	0		PAD-FOOT RH
24	1755729	0		PAD-FOOT LH
25	1186330	0	S	SCR-LOCK
26	1755944	0		PAD-FOOT
27	1764351	0		DECAL-OPERATING INST
29	1761578	0		DECAL-CHOKE
30	1111599	0	S/F	SCR-HH 1/4-20X.625 G5 ZP
31		0		UNKNOWN
32	1762861	0		LINK-HINGE RH
33	1764587010	0		ASSM-HINGE STRAP
34	1762860010	0		ASSM-HINGE STRAP
35	1764360	0	F	NUT-HT/LK 1/4-20
36	1763048	0		LINK-HINGE LH
37	1186309	0	/P	SCR-HH 1/4-20X.625
38	1186389	0	/P	NUT-HF/LK 1/4-20 ZP
39	1186308	0	S	SCR-HFLK 1/4-20X.50 ZP
41	1762875	0		GRILLE
44	1762858010	0		COVER-SIDE LH
45	1762859010	0		COVER-SIDE RH
47	1727127	0		LATCH-RUBBER
48	1727126	0	/P	CLIP
49	1185985	0	S	NUT W/LKWASHER 10-24 ZP
50	1764657	0		SUPPORT-HOOD ROD
52	1762856010	0		ASSM-HOOD
53	1756876	0		DECAL-SVC INST
55	1107381	0	S/F	WASHER-FLAT 1/4 SAE
56	1753039	0		PANEL-INSTRUCTION
57	1755931	0		DECAL-THROTTLE
58	1756739	0		CAP
59	1755932	0		DECAL-IGNITION
65	1757366	0		DECAL-FUEL
67	1186469	0	S	SCR-CARR 5/16-18X.75
68	1186393	0	/P	NUT-HFLK 3/8-16 ZP
69	1701055	0	/P	WASHER-FLAT 1.25X.406X.179
70	1755449	0	/P	SPRING-COMPRESSION
71	1759102	0		DECAL-LOGO FENDER

13027 14HP HYDRO SUBURBAN TRACTOR (S/N 130270100101)  
BODYWORK & TRIM ASSEMBLY

Page 3 of 19

Ref #	Part Number	Qty	S/P/F	Description
72	1706782	0	/P	WASHER-BOW .74X.52X.01
73	1705793	0		WASHER-1.06X.51X.09 NYLON
74	1754125	0	/P	SCR-SHLDR 3/8-16X.25 G5ZP
75	1760963001	0	S	ASSM-SEAT SUPPORT
77	1753911	0		BLOCK-PIVOT
78	1757939	0		DECAL-SIDECVR LH RED
78	1757938	0		DECAL-SIDECVR RH RED
79	1900333	0		DECAL-U.S.A.
80	1723384	0	S	WASHER-1.5X.343X.104
81	1100799	0	S/F	SCR-HH 5/16-18X1.5 G5 ZP
82	1763229001	0		STRAP
?83	1764597001	0		ASSM-SUPPORT LH
84	1764598001	0		ASSM-SUPPORT RH
?85	1757542	0		CLIP
?86	1758070	0	S	SCR-HHS 10-24X.625 ZP
87	1737951	0		NUT-SPECIAL
88	1115815	0	S/F	SCR-TRUSS #10-24 X 5/8
	1900706	0	S	PAINT-RED SPRAYCAN POWDER

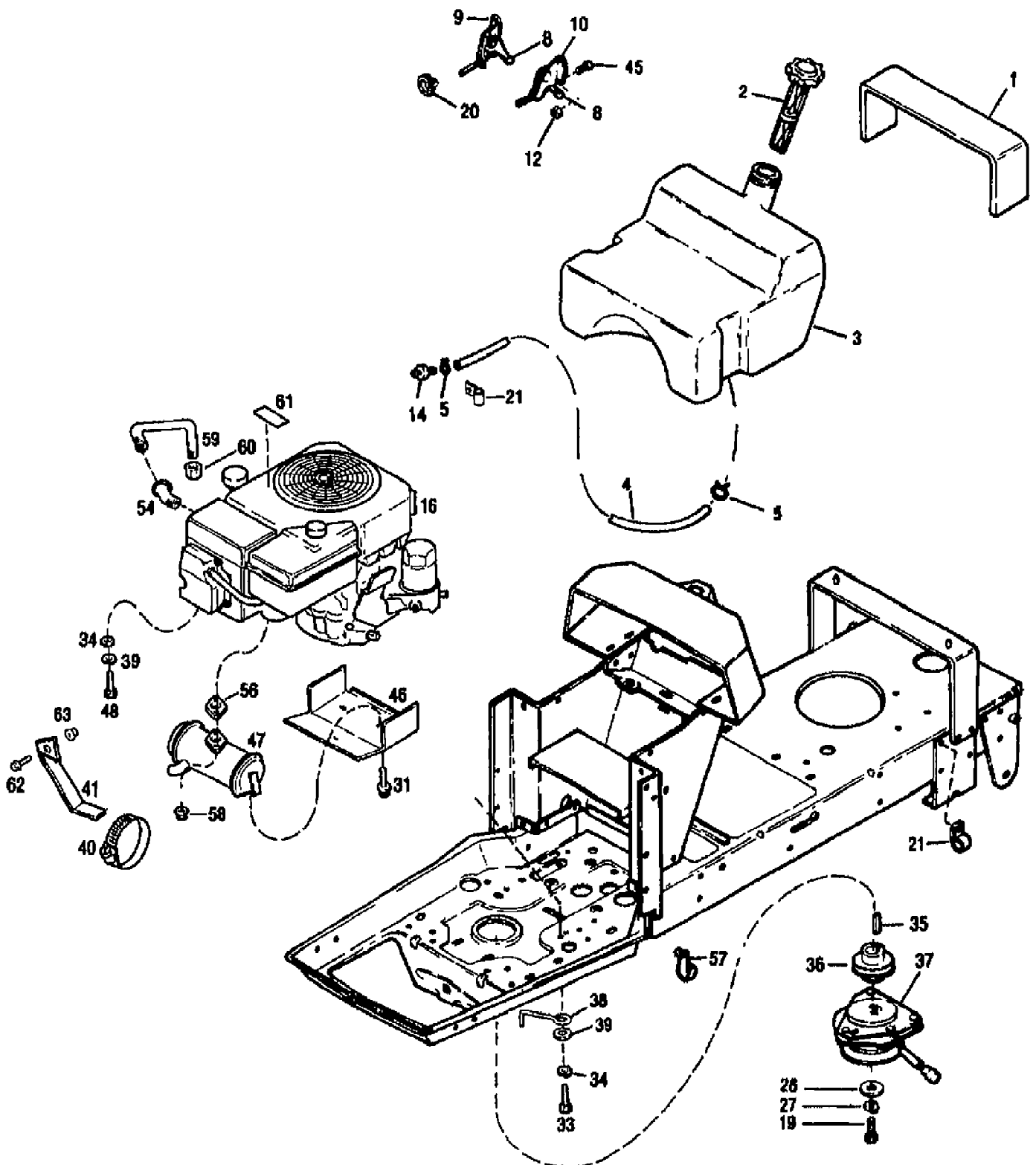


13027 14HP HYDRO SUBURBAN TRACTOR (S/N 130270100101)  
ELECTRICAL ASSEMBLY

Page 5 of 19

Ref #	Part Number	Qty	S/P/F	Description
1	1763064	0	/P	LENSE
2	1756074	0	/P	CABLE-BATTERY (+)
?3	1752872	0	S/F	LIGHTBULB
?4	1752875	0		SOCKET
5	1752871	0	/P	ASSM-LIGHT
6	1764583	0		GASKET
8	1735531	0	S	TIE-CABLE NYLON BLACK
9	1754220	0	/P	CABLE (-)
10	1756872	0	F	LENSE
10	1761577	0	F	LENSE
?13	1107381	0	S/F	WASHER-FLAT 1/4 SAE
?14	1764358	0		NUT-H/LK 1/4-20
?15	1752586	0		BOLT-HOOK
?16	1115815	0	S/F	SCR-TRUSS #10-24 X 5/8
?17	1185985	0	S	NUT W/LKWASHER 10-24 ZP
?18	1752840	0		BATTERY
?19	1752137	0	S	SOLENOID
20	1750963	0		SCR-FHP #6-32X.50 ZP
22	1186229	0	S/F	NUT-HEX 1/4-20 ZP
?23	1748014	0		GROMMET-SPLIT
24	1741506	0		CABLE-STARTER
25	1752134	0		HARNESS-CONSOLE WIRING
?26	1747738	0	/P	CLIP-J
?27	1761006	0		TRAY-BATTERY
28	1100241	0	S/F	WASHER-LK .25 ZP
29	1111599	0	S/F	SCR-HH 1/4-20X.625 G5 ZP
?30	1756076	0	F	HARNESS-INTERLOCK
?30	1756180	0	F	HARNESS-INTERLOCK
31	1754608	0	/P	SWITCH-PTO
32	1754856	0		SWITCH-LIGHT
33	1754250	0	S	SWITCH-IGNITION
34	1753986	0	/P	KEY-IGNITION
?35	1763862	0		HARNESS-WIRE ENGINE
?36	1755802	0	/P	BATTERY-HOLDDOWN
37	1755285	0		BULB
38	1186020	0		SCR-PHP M6-32X.38 ZP
39	1743516	0	S	FUSE-30 AMP
40	1756739	0	F	CAP
40	1757364	0	S/F	METER-HOUR
?43	1755349	0		SCR-PHP 1/4-20X.50 ZP
?44	1752506	0	/P	SWITCH-SEAT
?45	1755487	0		GROMMET
?46	1754934	0		DECAL
?47	1751328	0	S	SWITCH
?51	1758070	0	S/F	SCR-HHS 10-24X.625 ZP
?51	1186298	0	F	SCR HHS 10-24X1.50
?52	1751340	0	/P/F	SWITCH
?53	1764803	0	F	BLOCK-INTERLOCK SWITCH
54	1754607	0	S/F	SWITCH-SPEED CONTROL
55	1749907	0	/P/F	RELAY-SPEED CONTROL
56	1754678	0		HARNESS-CRUISE

13027 14HP HYDRO SUBURBAN TRACTOR (S/N 130270100101)  
ENGINE ASSEMBLY

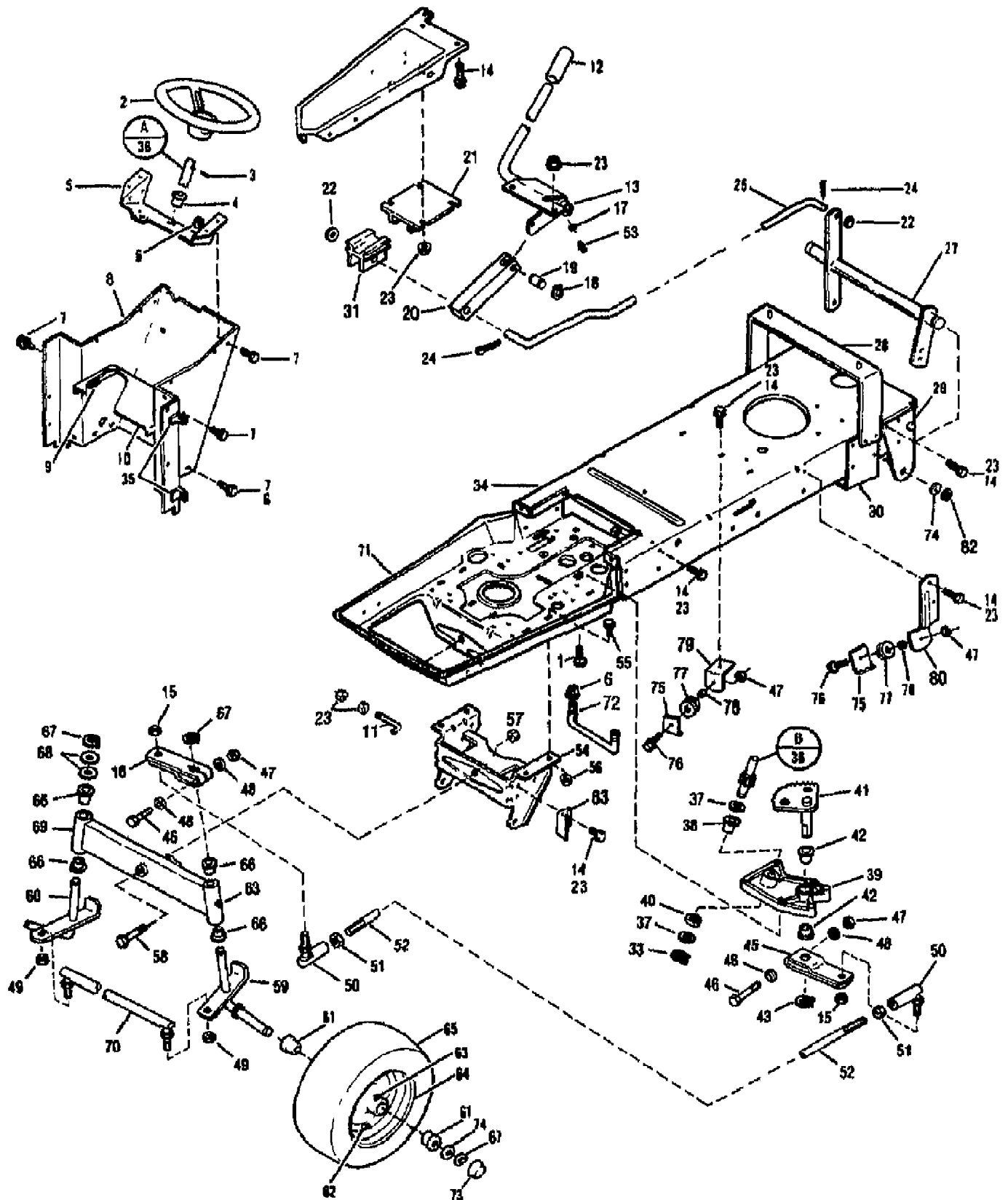


13027 14HP HYDRO SUBURBAN TRACTOR (S/N 130270100101)  
ENGINE ASSEMBLY

Page 7 of 19

Ref #	Part Number	Qty	S/P/F	Description
1	1744390	0		PAD-FUEL TANK
2	1756044	0	S	CAP-GAS
3	1756460	0		TANK-FUEL
4	1752795	0		LINE-FUEL 52"
5	1750687	0	S	CLAMP-HOSE
8	1737118	0	S	KNOB
9	1755926	0	S	THROTTLE-CONTROL
10	1755927	0		C-CONTROL
12	1185985	0	S/F	NUT W/LKWASHER 10-24 ZP
14	1727491	0	S	FILTER-FUEL
16	0	0	F	ENGINE, KOHLER MODEL CV14S/PS14444 (OHV) 14HP
19	1763988	0		SCR-HH M10X1.5X80
20	1735531	0	S	TIE-CABLE NYLON BLACK
21	1747738	0	/P	CLIP-J
26	1744455	0	/P	WASHER-SPEC 1.42X.468X.25 ZP
27	1100244	0	S/F	WASHER-LK .438 ZP
31	1763875	0		SCR-HFLK 1/4-20 X .375
33	1860219	0	F	SCR-HH M8-35
34	1100242	0	S/F	WASHER-LK .312 ZP
35	1748146	0		KEY-.25 SQ X 2.5
36	1742535	0		SHEAVE
37	1755341	0	S	CLUTCH-ELECTRIC
38	1754787	0	/P	CLUTCH-RETAINER
39	1100255	0	S/F	WASHER-FLAT 5/16 SAE
40	1740083	0	S	CLAMP-WORM
41	1764692001	0		BRKT-MUFFLER
45	1750962	0		SCR
46	1763853001	0		SHIELD-HEAT
47	1763852	0		KIT-MUFFLER
48	1860217	0	/P	BOLT-M8X25
54	1743683	0		ELBOW-45 DEGREES
56	0	0	F	GASKET
57	1745366	0		HANGER-CABLE
58	0	0	F	NUT
59	1763866	0		TUBE-OIL DRAIN
60	1745688	0		CAP-DRAIN TUBE
61	1763829	0		DECAL-ENGINE
62	1186309	0	/P/F	SCR-HH 1/4-20X.625
63	1186389	0	/P/F	NUT-HF/LK 1/4-20 ZP

13027 14HP HYDRO SUBURBAN TRACTOR (S/N 130270100101)  
FRAME, LIFT & STEERING ASSEMBLY





13027 14HP HYDRO SUBURBAN TRACTOR (S/N 130270100101)  
FRAME, LIFT & STEERING ASSEMBLY

Page 9 of 19

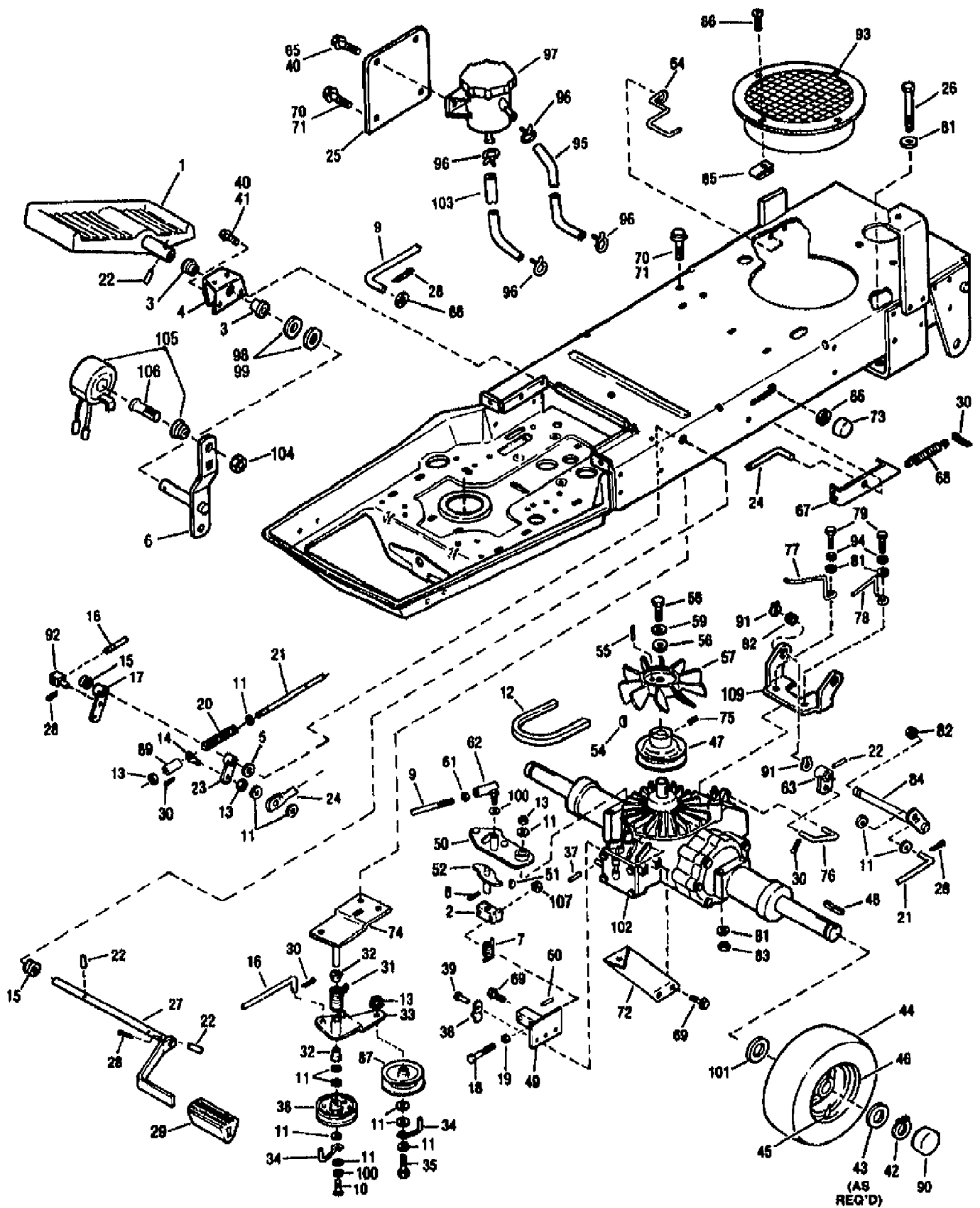
Ref #	Part Number	Qty	S/P/F	Description
	1900706	0	S	PAINT-RED SPRAYCAN POWDER
?1	1724491	0	S	SCR-HFLK 5/16-18X.75
2	1727284	0	F	WHEEL-STEERING
2	1747804	0	F	WHEEL-STEERING
3	1185279	0	/P/F	PIN-ROLL .25X2.25
4	1185632	0		BEARING-FLANGED NYLON
5	1752363	0		SUPPORT-STEERING SHAFT
6	1186389	0	/P/F	NUT-HF/LK 1/4-20 ZP
7	1186309	0	/P/F	SCR-HH 1/4-20X.625
8	1758724010	0	F	SUPT-INSTRUMENT PANEL
8	1758797010	0	F	SUPT-INSTRUMENT PANEL
9	1185456	0		NUT-SPEED
10	1756073001	0		SUPPORT-BATTERY
11	1757291	0	/P	GUIDE-BELT
12	1703539	0	S	GRIP-FLEX
13	1759450001	0		ASSM-LIFT LEVER
14	1186330	0	S	SCR-LOCK
15	1750957	0		NUT-HEX/JAM 1/2-20 ZP
16	1750581	0		ASSM-ARM SPINDLE
17	1805368	0		WASHER
18	1185427	0		RING-RETAINING
19	1747189	0		PIN
20	1754179	0	/P	LINK-PUSH
21	1757661	0		GUIDE-STAT
22	1107385	0	S/F	WASHER-1.06X.531X.1 ZP
23	1186391	0	S	NUT-HFLK 5/16-18 ZP
24	1100350	0	S/F	PIN-COTTER .120X1.00 ZP
25	1751070	0		ROD-LIFT
27	1754950001	0		ASSM-LIFT SHAFT
28	1754944001	0		ASSM-FENDER SUPPORT
29	1758842001	0		ASSM-PANEL REAR
30	1740984001	0		AXLE-SUPPORT
31	1757659	0	/P	GUIDE-SLIDE
33	1177567	0	S	RING-RETAINING
34	1755847001	0		FRAME-REAR
35	1742934	0		NUT-SPEED
36	1751284	0		SHIFT-STEER
37	1730375	0		WASHER-SHIM
38	1747303	0		BEARING
39	1750594	0		ASSM-STEER SUPT
40	1715301	0	/P	WASHER-1.115X.637X.06
41	1750501	0		ASSM-SECTOR GEAR
42	1185386	0	/P	BEARING-FLANGE
43	1113527	0	S	RING-RETAIN EXT .707 ID
45	1750581	0		ASSM-ARM SPINDLE
46	1100049	0	S/F	SCR-HH 3/8-16X2.25 G5 ZP
47	1733398	0	S/F	NUT-LOCK 3/8-16
48	1708755	0	F	WASHER-.875X.390X.134
49	1110150	0	S	NUT-LOCK
50	1716180	0		JOINT-BALL
51	1186247	0	S	NUT-JAM
52	1750499	0		ROD-STEERING
53	1185803	0		FITTING-GREASE

13027 14HP HYDRO SUBURBAN TRACTOR (S/N 130270100101)  
FRAME, LIFT & STEERING ASSEMBLY

Page 10 of 19

Ref #	Part Number	Qty	S/P/F	Description
54	1763859001	0		BRKT-ATTACHMENT
55	1186345	0	/P	SCR
56	1186393	0	/P	NUT-HFLK 3/8-16 ZP
57	1758231	0	S	NUT-H/LK 5/8-11
58	1758232	0		SCR-HH 5/8-11X2.25 G5 ZP
59	1750486001	0		ASSM-SPINDLE LH
60	1750490001	0	/P	ASSM-SPINDLE RH
61	1750341	0	S	BUSHING
62	1718086	0	S	STEM-VALVE
63	1185976	0	S	FITTING-GREASE 1/4-28X2.00
64	1757981	0		WHEEL-RED
65	1762254	0	S	TIRE 15X6.00-6RS
66	1742133	0	S	BUSHING
67	1185388	0	S	RING-RET."E".577 ID
68	1701447	0	/P	WASHER-1.25X.765X.049
69	1750494001	0		ASSM-FRONT AXLE
70	1750841001	0		ROD-TIE
71	1742343001	0		FRAME-FRONT
72	1744320	0		GUIDE-BELT
73	1764776	0	/P	CAP-DUST
74	1185830	0	S	WASHER-1.38 X.765X .06 ZP
75	1747320	0		GUIDE-CABLE
76	1100043	0	S/F	SCR-HH 3/8-16X1.25
77	1756177	0		PULLEY-CABLE
?78	1747322	0		SPACER-.75X.40X.51 P/M
79	1747316001	0		BRACKET
80	1747315001	0		BRACKET
82	1185388	0	S	RING-RET."E".577 ID
83	1751715001	0		BRACKET

13027 14HP HYDRO SUBURBAN TRACTOR (S/N 130270100101)  
HYDROSTATIC & BRAKE ASSEMBLY



13027 14HP HYDRO SUBURBAN TRACTOR (S/N 130270100101)  
HYDROSTATIC & BRAKE ASSEMBLY

Page 12 of 19

Ref #	Part Number	Qty	S/P/F	Description
1	1755883001	0		ASSM-PEDAL
2	1753188	0	F	BLOCK-PIVOT
3	1185802	0		BEARING-FLANGE
4	1756687001	0		SUPT-HYD PEDAL
5	1107386	0	S/F	WASHER-1.305X.649X.098 ZP
6	1756166	0		ASSM-CONT
7	1753190	0		SPRING-TORSION
?8	1120290	0	F	ROLL PIN
9	1155878	0		CONTROL SHAFT ASSY
10	1100049	0	S/F	SCR-HH 3/8-16X2.25 G5 ZP
11	1107383	0	S/F	WASHER-FLAT 3/8 SAE
12	1751597	0	/P	BELT
13	1733398	0	S/F	NUT-LOCK 3/8-16
14	1749904	0		BOLT-EYE
15	1714233	0		BUSHING-.68X.62X.15 FLNG
16	1746942	0		ROD-CLUTCH
17	1751879	0		ASSM-ARM
18	1760321	0		SCR-ADJ
19	1186247	0	S	NUT-JAM
20	1751022	0		SPRING-COMP.
21	1764131	0		LINK-BRAKE
22	1120210	0	F	PIN-ROLL .188X1.0
23	1751880	0		ASSM-ARM
24	1751063	0		ROD-BRAKE LOCK
25	1755787001	0		SUPPORT-TANK
26	1111610	0	S/F	SCR-HH 5/16-18X3.0
27	1756049	0		ASSM-BRAKE PEDAL
28	1100350	0	S/F	PIN-COTTER .120X1.00 ZP
29	1728694	0	/P	FOOT REST
30	1100359	0	F	PIN-COTTER .125X.50
?31	1751809	0	/P	SPRING-TORSION
32	1715538	0	/P	BUSHING-.5X.5 NYLON FLNG
33	1746941001	0		ASSM-IDLER ARM
34	1760096	0	/P	GUIDE-BELT
35	1100086	0	S/F	SCR-HH 3/8-16X1.75 G5 ZP
36	1756151	0	/P	IDLER
37	1185759	0	/P/F	PIN-DRIVE .25X3.0 ZP
38	1756144	0		LATCH
39	1185879	0	/P	RIVET-POP
40	1186309	0	/P	SCR-HH 1/4-20X.625
41	1186389	0	/P	NUT-HF/LK 1/4-20 ZP
42	1185689	0		RING-HEAVY EXT HD 1.0 ID
43	1747872	0		WASHER-1.88X1.015X.06 ZP
44	1762250	0	S	TIRE-20X8.00-8RS
45	1718086	0	S	STEM-VALVE
46	1763689	0		WHEEL-DISC
47	1760193	0		SHEAVE-HYDRO
?48	1104337	0	S/F	KEY-.25 SQ X 1.5
49	1753186	0		ASSM-ADJUSTOR BLOCK
50	1753199	0		ASSM-SPEED CONT ARM
51	1100905	0	F	KEY-WOODRUFF .125X.5
52	1753193	0		ASSM-PIVOT SHAFT
54	1185885	0	/P/F	KEY-WOODRUFF

13027 14HP HYDRO SUBURBAN TRACTOR (S/N 130270100101)  
HYDROSTATIC & BRAKE ASSEMBLY

Page 13 of 19

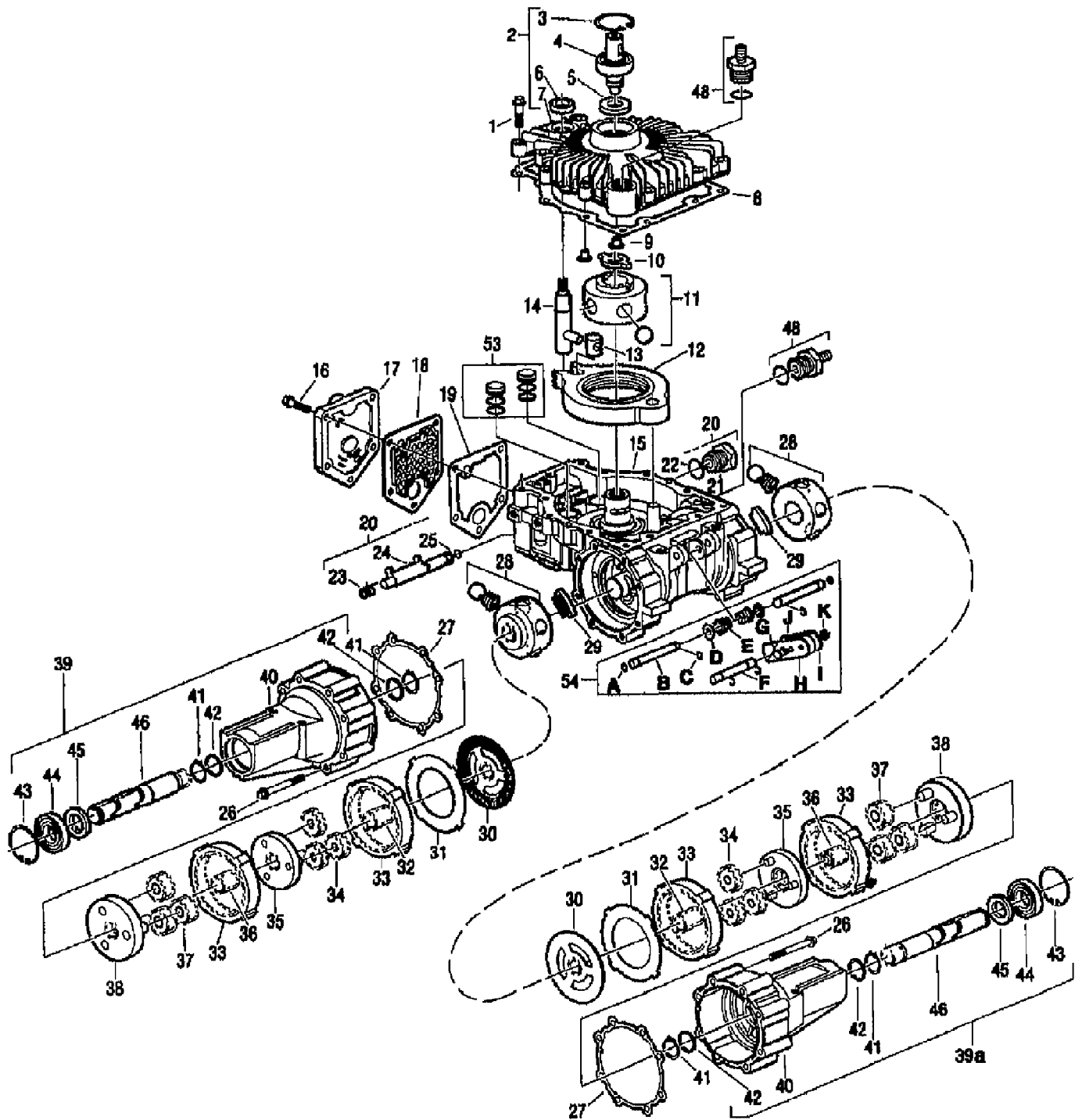
Ref #	Part Number	Qty	S/P/F	Description
55	1120209	0	F	PIN-ROLL .188X.75
56	1761608	0		WASHER-.865X.281X.1793
57	1760370	0	/P	FAN-HYDRO TRANSMISSION
58	1100069	0	S/F	SCR-HH 1/4-20X1.0
59	1100241	0	S/F	WASHER-LK .25 ZP
60	1753189	0		PIN-DOWEL .375 X 2.51
61	1186245	0	S/F	NUT-HEX/JAM 3/8-24 ZP
62	1756175	0		JOINT-BALL
63	1762704	0		ASSM-BRAKE ARM
64	1756627	0		GUIDE
65	1734398	0	S/F	NUT-HT LK 1/4-20
66	1893445	0	S	WASHER-FLAT
67	1755584001	0	F	BRACKET-INTERLOCK
67	1756181001	0	F	BRKT-INTERLOCK
68	1729482	0		SPRING
69	1186327	0	/P	SCR-HFLK 5/16-18X.50 ZP
70	1186330	0	S	SCR-LOCK
71	1186391	0	S	NUT-HFLK 5/16-18 ZP
72	1754946001	0		BRACE-TRANSAXLE
73	1747186	0		CAP-PUSH ON
74	1751808	0		ASSM-LEVER SUPP
75	1747166	0	/P	SCR-SET 1/4-28X.38 HXSKT
76	1763170	0		LINK-BRAKE
77	1755929	0		GUIDE-BELT
78	1755930	0		GUIDE-BELT
79	1100045	0	S/F	SCR-HH 5/16-18X1.0 G5 ZP
81	1100255	0	S/F	WASHER-FLAT 5/16 SAE
82	1755928	0		BEARING-FLANGED
83	1732499	0	/P/F	NUT-TOP/LK 5/16-18 ZP
84	1755939	0		ASSM-JACKSHAFT
?85	1739919	0		NUT-SPEED
?86	1115815	0	S/F	SCR-TRUSS #10-24 X 5/8
?87	1760097	0	/P	PULLEY-IDLER
?88	1107385	0	S/F	WASHER-1.06X.531X.1 ZP
89	1713783	0		SPACER-.62X.406X.56 ZP
90	1747873	0	/P	CAP-WHEEL
91	1177567	0	S	RING-RETAINING
92	1748491	0		PIVOT
93	1754948	0		SHROUD-FAN
94	1100242	0	S/F	WASHER-LK .312 ZP
95	1755822	0		HOSE-FUEL 18"
96	1756626	0		CLAMP-HOSE
97	1755088	0		ASSM-OIL RESERVOIR
98	1705093	0	S	WASHER-1.0X.64X.029
99	1705092	0	S	WASHER-1.0X.64X.09
100	1100243	0	S/F	WASHER-LK .375 @ DEPL
101	1701449	0		SHIM-1.25X1.01X.06
102	1762791	0		TRANS-HYDRO, EATON 751-047
103	1755823	0		HOSE
104	1186396	0	F	NUT-WHIZ LOCK
105	1754675	0	S/F	ASSM-MAGNET
106	1750736	0	/P/F	SCR-SPECIAL
107	1761191	0		NUT-HEX/JAM 3/8-24

13027 14HP HYDRO SUBURBAN TRACTOR (S/N 130270100101)  
HYDROSTATIC & BRAKE ASSEMBLY

Page 14 of 19

Ref #	Part Number	Qty	S/P/F	Description
109	1762599	0		SUPPORT-SHAFT

13027 14HP HYDRO SUBURBAN TRACTOR (S/N 130270100101)  
HYDROSTATIC DIFFERENTIAL ASSEMBLY



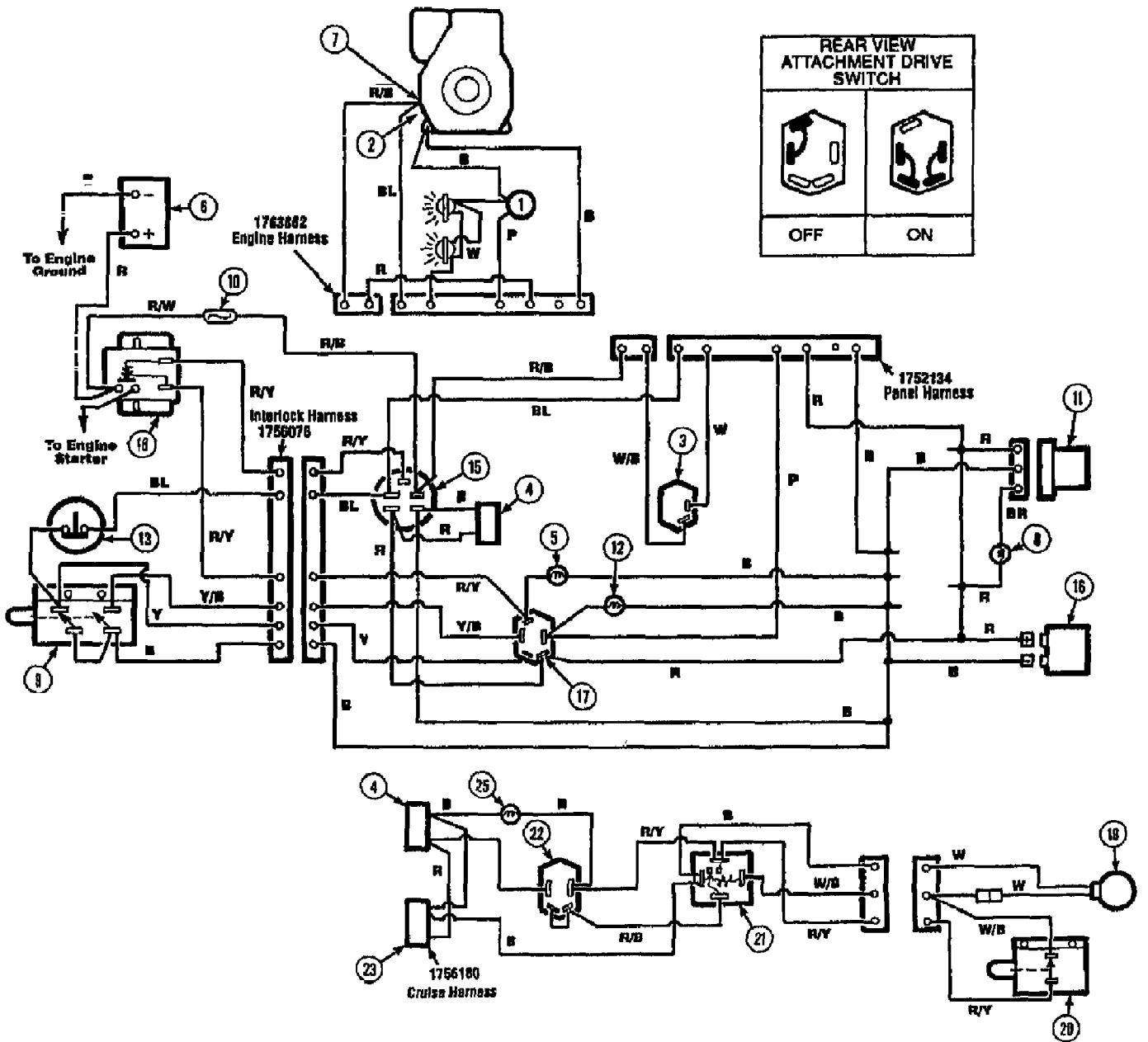
Ref #	Part Number	Qty	S/P/F	Description
	1762791	0		TRANS-HYDRO
1		0		UNKNOWN
2		0		UNKNOWN
3		0		UNKNOWN
4	1760892	0		SHAFT-INPUT
5	1760893	0	S	SEAL-OIL
6	1757374	0		SEAL-CONTROL SHAFT
7		0		UNKNOWN
?8		0		UNKNOWN
9		0		UNKNOWN
10		0		UNKNOWN
11		0		UNKNOWN
12		0		UNKNOWN
13		0		UNKNOWN
14		0		UNKNOWN
15		0		UNKNOWN
16		0		UNKNOWN
17		0		UNKNOWN
18	1764020	0		FILTER-INTERNAL
19	1764021	0		GASKET-VALVE COVER
20		0		UNKNOWN
21		0		UNKNOWN
22		0		UNKNOWN
23		0		UNKNOWN
24	1757376	0	/P	BRACKET
25	1757377	0		RING-O
26		0		UNKNOWN
27		0		UNKNOWN
28		0		UNKNOWN
29		0		UNKNOWN
30		0		UNKNOWN
31		0		UNKNOWN
32		0		UNKNOWN
33		0		UNKNOWN
34		0		UNKNOWN
35		0		UNKNOWN
36		0		UNKNOWN
37		0		UNKNOWN
38		0		UNKNOWN
39		0		UNKNOWN
40		0		UNKNOWN
41		0		UNKNOWN
42		0		UNKNOWN
43		0		UNKNOWN
44	1757700	0		BEARING
45		0		UNKNOWN
46		0		UNKNOWN
?47		0		UNKNOWN
48		0		UNKNOWN
?49		0		UNKNOWN
?50		0		UNKNOWN
?51		0		UNKNOWN
?52		0		UNKNOWN



13027 14HP HYDRO SUBURBAN TRACTOR (S/N 130270100101)  
HYDROSTATIC DIFFERENTIAL ASSEMBLY

Page 17 of 19

Ref #	Part Number	Qty	S/P/F	Description
53		0		UNKNOWN
54		0		UNKNOWN
39A		0		UNKNOWN



13027 14HP HYDRO SUBURBAN TRACTOR (S/N 130270100101)  
WIRING DIAGRAM

Page 19 of 19

Ref #	Part Number	Qty	S/P/F	Description
	0	0		ILLUSTRATION ONLY