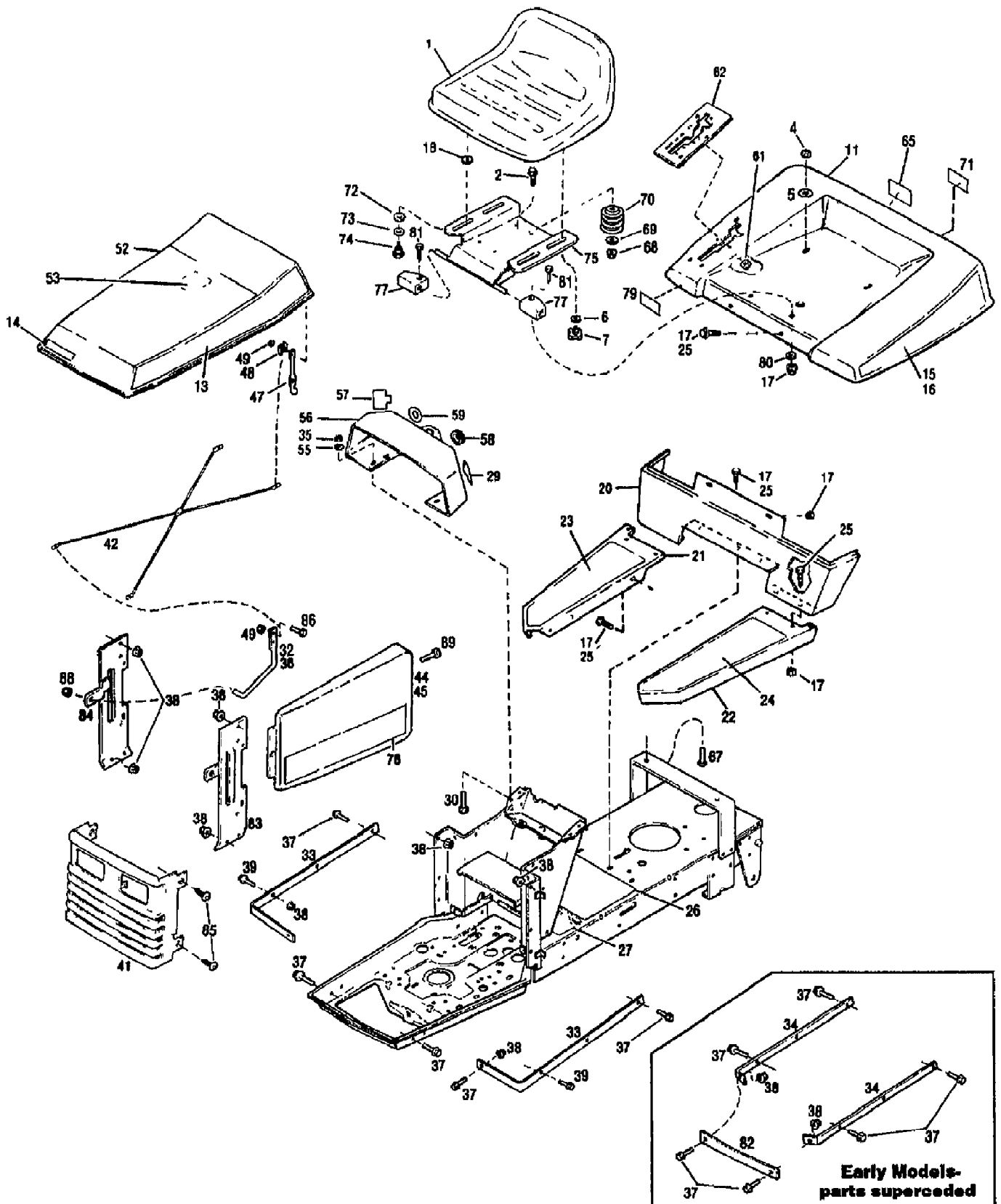


13025 12.5 GEAR DRIVE TRACTOR (S/N 130250100101)  
BODYWORK & TRIM ASSEMBLY



13025 12.5 GEAR DRIVE TRACTOR (S/N 130250100101)  
BODYWORK & TRIM ASSEMBLY

Page 2 of 17

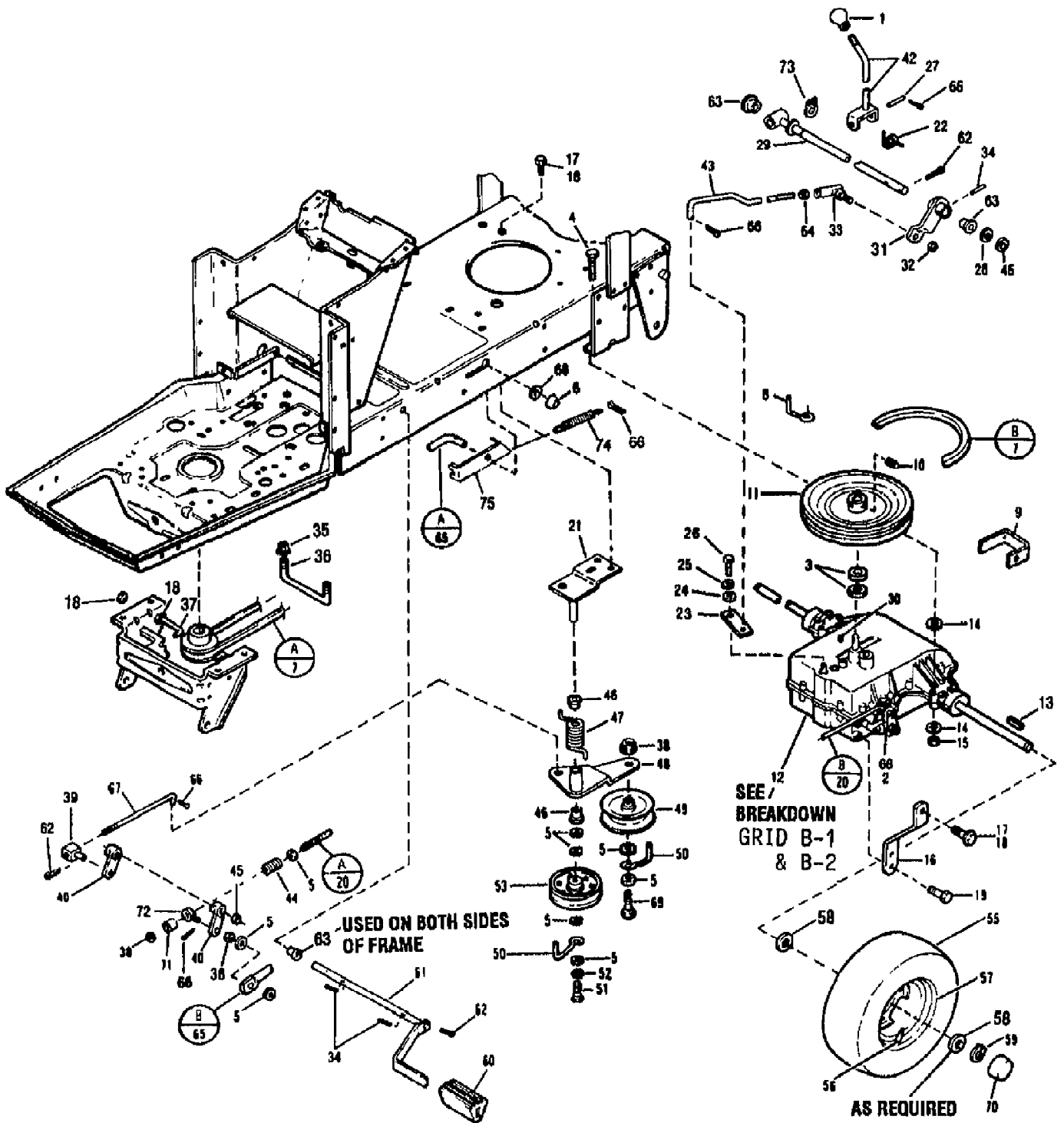
Ref #	Part Number	Qty	S/P/F	Description
1	1756861	0		SEAT
2	1186347	0	S	SCR-HFLK 3/8-16X1.00 ZP
4	1732499	0	/P	NUT-TOP/LK 5/16-18 ZP
5	1713233	0	S	WASHER-1.25X.343X.059
6	1107383	0	S/F	WASHER-FLAT 3/8 SAE
7	1734269	0		KNOB
11	1761041010	0		FENDER-REAR
13	1759100	0		DECAL-LOGO
14	1759101	0		DECAL-LOGO
15	1763857	0		DECAL-FENDER RH
16	1763858	0		DECAL-FENDER LH
17	1186391	0	S	NUT-HFLK 5/16-18 ZP
18	1893445	0	S	WASHER-FLAT
20	1743987010	0		SUPT-RUNNING BOARD
21	1751805010	0		BOARD-RUNNING RH
22	1751803010	0		BOARD-RUNNING LH
23	1742665	0		PAD-FOOT RH
24	1755729	0		PAD-FOOT LH
25	1186330	0	S	SCR-LOCK
26	1755944	0		PAD-FOOT
27	1764350	0		DECAL-INST
29	1755933	0		DECAL-CHOKE
30	1111599	0	S/F	SCR-HH 1/4-20X.625 G5 ZP
32	1762861	0		LINK-HINGE RH
33	1764587010	0		ASSM-HINGE STRAP
34	1762860010	0		ASSM-HINGE STRAP
35	1734398	0	S/F	NUT-HT LK 1/4-20
?36	1763048	0		LINK-HINGE LH
37	1186309	0	/P	SCR-HH 1/4-20X.625
38	1186389	0	/P	NUT-HF/LK 1/4-20 ZP
39	1186308	0	S/F	SCR-HFLK 1/4-20X.50 ZP
41	1762875	0		GRILLE
42	1764657	0		SUPPORT-HOOD ROD
44	1762858010	0		COVER-SIDE LH
45	1762859010	0		COVER-SIDE RH
47	1727127	0		LATCH-RUBBER
48	1727126	0	/P	CLIP
49	1185985	0	S	NUT W/LKWASHER 10-24 ZP
52	1762856010	0		ASSM-HOOD
53	1756876	0		DECAL-SVC INST
55	1107381	0	S/F	WASHER-FLAT 1/4 SAE
56	1753039	0		PANEL-INSTRUCTION
57	1755931	0		DECAL-THROTTLE
58	1756739	0		CAP
59	1755932	0		DECAL-IGNITION
61	1750532	0	S	NUT-SELF THREADING
62	1759453	0		QUADRANT-SHIFT
65	1757366	0		DECAL-FUEL
67	1186469	0	S	SCR-CARR 5/16-18X.75
68	1186393	0	/P	NUT-HFLK 3/8-16 ZP
69	1701055	0	/P	WASHER-FLAT 1.25X.406X.179
70	1755449	0	/P	SPRING-COMPRESSION
71	1759102	0		DECAL-LOGO FENDER

13025 12.5 GEAR DRIVE TRACTOR (S/N 130250100101)  
BODYWORK & TRIM ASSEMBLY

Page 3 of 17

Ref #	Part Number	Qty	S/P/F	Description
72	1706782	0	/P	WASHER-BOW .74X.52X.01
73	1705793	0		WASHER-1.06X.51X.09 NYLON
74	1754125	0	/P	SCR-SHLDR 3/8-16X.25 G5ZP
75	1760963001	0	S	ASSM-SEAT SUPPORT
77	1753911	0		BLOCK-PIVOT
78	1757941	0		DECAL-SIDECVR LH RED
78	1757940	0		DECAL-SIDECVR RH RED
79	1900333	0		DECAL-U.S.A.
80	1723384	0	S	WASHER-1.5X.343X.104
81	1100799	0	S/F	SCR-HH 5/16-18X1.5 G5 ZP
82	1763229001	0		STRAP
83	1764597001	0		ASSM-SUPPORT LH
84	1764598001	0		ASSM-SUPPORT RH
85	1757542	0		CLIP
86	1758070	0	S	SCR-HHS 10-24X.625 ZP
88	1737951	0		NUT-SPECIAL
?89	1115815	0	S/F	SCR-TRUSS #10-24 X 5/8
	1900706	0	S	PAINT-RED SPRAYCAN POWDER

13025 12.5 GEAR DRIVE TRACTOR (S/N 130250100101)  
BRAKE & CLUTCH ASSEMBLY



13025 12.5 GEAR DRIVE TRACTOR (S/N 130250100101)  
BRAKE & CLUTCH ASSEMBLY

Page 5 of 17

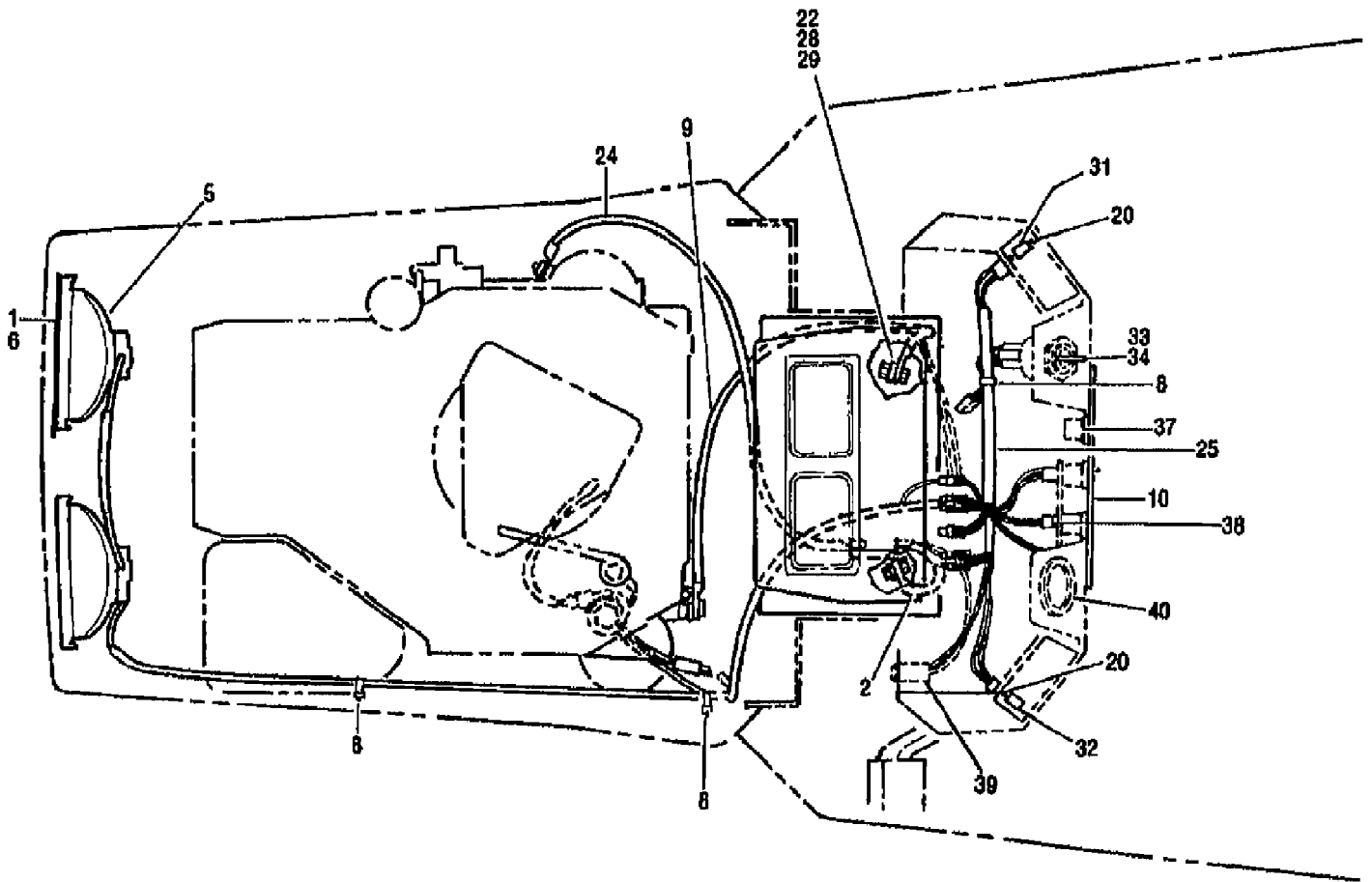
Ref #	Part Number	Qty	S/P/F	Description
1	1724231	0		KNOB
2	1107382	0	/P/F	WASHER-FLAT 5/16 SAE
3	1705092	0	S	WASHER-1.0X.64X.09
4	1111609	0	S/F	SCR-HH 5/16-18X2.75 G5 ZP
5	1107383	0	S/F	WASHER-FLAT 3/8 SAE
6	1747186	0		CAP-PUSH ON
7	1747188	0	/P	BELT-V
8	1752798	0		ROD-BELT GUIDE
9	1750297	0		GUIDE-BELT
10	1185596	0		SCR-SET 5/16-18 X 5/16
11	1743640	0		SHEAVE-TRANSMISSION
12	0	0		5-SPEED TRANSMISSION 930-023
13	1104335	0	S	KEY-.188 SQ X 2.0
14	1100255	0	S/F	WASHER-FLAT 5/16 SAE
15	1732499	0	/P/F	NUT-TOP/LK 5/16-18 ZP
16	1742103001	0		TRANS-SUPPORT
17	1186330	0	S/F	SCR-LOCK
18	1186391	0	S/F	NUT-HFLK 5/16-18 ZP
19	1724491	0	S/F	SCR-HFLK 5/16-18X.75
20	1746943	0	/P	ROD-BRAKE
21	1751808001	0		ASSM-LEVER SUPP
22	1750526	0		SPRING-TORSION
23	1754661	0		ARM-TRANSMISSION
24	1107381	0	S/F	WASHER-FLAT 1/4 SAE
25	1100241	0	S/F	WASHER-LK .25 ZP
26	1111683	0	S/F	SCR-HHC 1.4-28 X .50
27	1750946	0		PIN-.375 X 2.42 ZP
28	1705093	0	S	WASHER-1.0X.64X.029
29	1750539	0		ASSM-SHAFT
30	1104436	0	S/F	KEY-WOODRUFF .188X.75
31	1754663	0		ASSM-ARM SHIFT
32	1186244	0		NUT-HEX
33	1752524	0		JOINT-BALL
34	1120210	0		PIN-ROLL .188X1.0
35	1186389	0	/P/F	NUT-HF/LK 1/4-20 ZP
36	1744320	0		GUIDE-BELT
37	1757291	0	/P	GUIDE-BELT
38	1733398	0	S/F	NUT-LOCK 3/8-16
39	1748491	0		PIVOT
40	1751880	0		ASSM-ARM
42	1756047	0		ASSM-SHIFT LEVER
43	1754660	0		ROD-SHIFT
44	1728908	0		SPRING
45	1107386	0	S/F	WASHER-1.305X.649X.098 ZP
46	1715538	0	/P	BUSHING-.5X.5 NYLON FLNG
47	1751809	0	/P	SPRING-TORSION
?48	1746941001	0		ASSM-IDLER ARM
49	1760097	0	/P	PULLEY-IDLER
50	1760096	0	/P	GUIDE-BELT
51	1100049	0	S/F	SCR-HH 3/8-16X2.25 G5 ZP
52	1100243	0	S/F	WASHER-LK .375 @ DEPL
53	1756151	0	/P	IDLER
55	1762250	0	S	TIRE-20X8.00-8RS

13025 12.5 GEAR DRIVE TRACTOR (S/N 130250100101)  
BRAKE & CLUTCH ASSEMBLY

Page 6 of 17

Ref #	Part Number	Qty	S/P/F	Description
56	1718086	0	S	STEM-VALVE
57	1763688	0		DISC-WHEEL
58	1747998	0		WASHER-1.87X.765X.06 SPECIAL
59	1185388	0	S	RING-RET."E".577 ID
60	1728694	0	/P	FOOT REST
61	1756049	0		ASSM-BRAKE PEDAL
62	1100350	0	S/F	PIN-COTTER .120X1.00 ZP
63	1714233	0		BUSHING-.68X.62X.15 FLNG
64	1110149	0	F	NUT-LOCK
65	1751063	0		ROD-BRAKE LOCK
66	1100359	0	F	PIN-COTTER .125X.50
67	1746942	0		ROD-CLUTCH
68	1893445	0	S/F	WASHER-FLAT
69	1100086	0	S/F	SCR-HH 3/8-16X1.75 G5 ZP
70	1747873	0	/P	CAP-WHEEL
71	1713783	0		SPACER-.62X.406X.56 ZP
72	1749904	0		BOLT-EYE
73	1177567	0	S	RING-RETAINING
74	1729482	0		SPRING
75	1755584001	0		BRACKET-INTERLOCK

13025 12.5 GEAR DRIVE TRACTOR (S/N 130250100101)  
ELECTRICAL ASSEMBLY



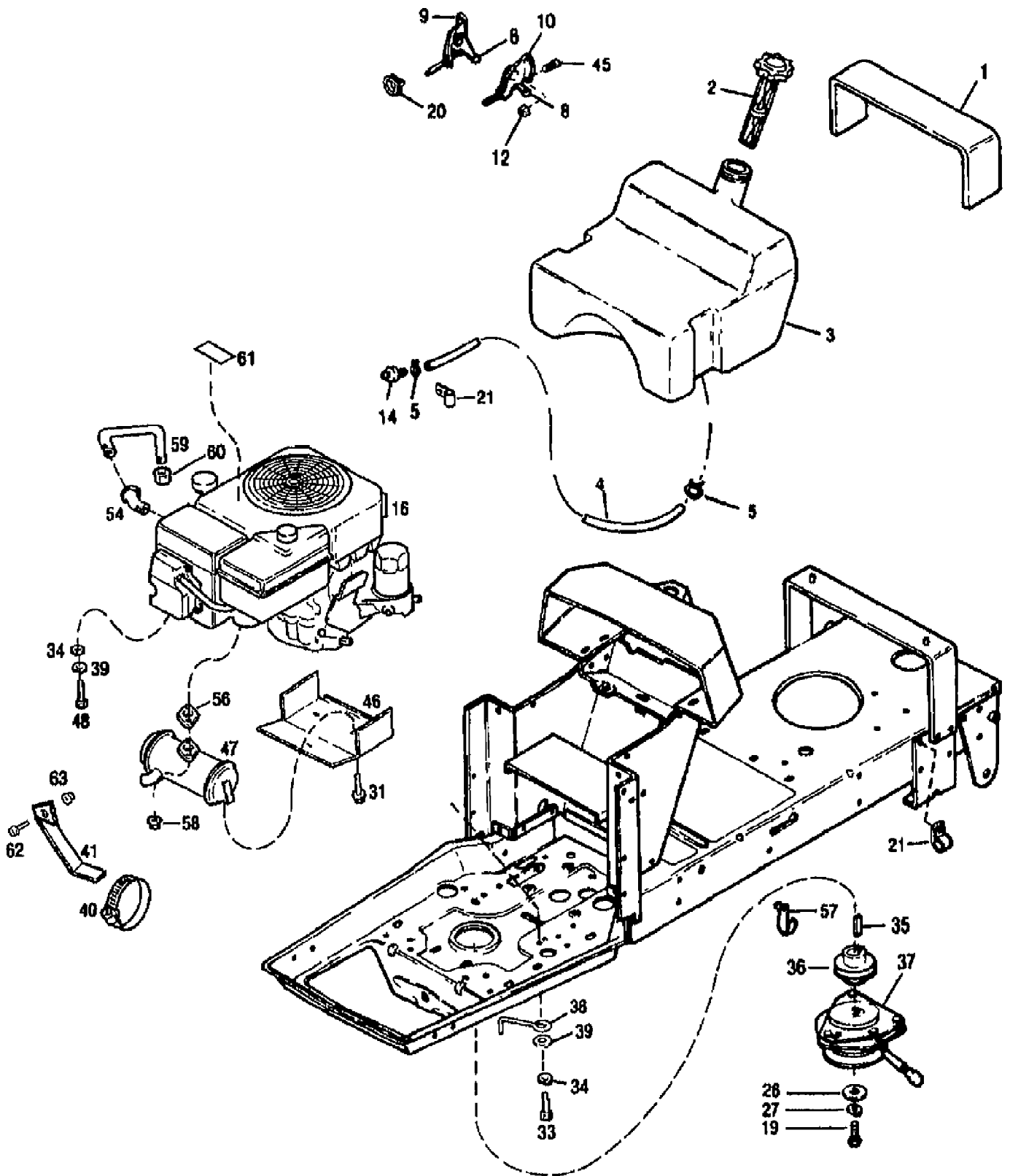
13025 12.5 GEAR DRIVE TRACTOR (S/N 130250100101)  
ELECTRICAL ASSEMBLY

Page 8 of 17

Ref #	Part Number	Qty	S/P/F	Description
1	1763064	0	/P	LENSE
2	1756074	0	/P	CABLE-BATTERY (+)
?3	1752872	0	S/F	LIGHTBULB
?4	1752875	0		SOCKET
5	1752871	0	/P	ASSM-LIGHT
6	1764583	0		GASKET
8	1735531	0	S	TIE-CABLE NYLON BLACK
9	1754220	0	/P	CABLE (-)
10	1756872	0		LENSE
?13	1107381	0	S/F	WASHER-FLAT 1/4 SAE
?14	1764358	0		NUT-H/LK 1/4-20
?15	1752586	0		BOLT-HOOK
?17	1185985	0	S	NUT W/LKWASHER 10-24 ZP
?18	1752840	0		BATTERY
?19	1752137	0	S	SOLENOID
20	1750963	0		SCR-FHP #6-32X.50 ZP
22	1186229	0	S/F	NUT-HEX 1/4-20 ZP
?23	1748014	0		GROMMET-SPLIT
24	1741506	0		CABLE-STARTER
25	1752134	0		HARNESS-CONSOLE WIRING
?26	1747738	0	/P	CLIP-J
?27	1761006	0		TRAY-BATTERY
28	1100241	0	S/F	WASHER-LK .25 ZP
29	1111599	0	S/F	SCR-HH 1/4-20X.625 G5 ZP
?30	1756076	0		HARNESS-INTERLOCK
31	1754608	0	/P	SWITCH-PTO
32	1754856	0		SWITCH-LIGHT
33	1754250	0	S	SWITCH-IGNITION
34	1753986	0	/P	KEY-IGNITION
?35	1763862	0		HARNESS-WIRE ENGINE
?36	1755802	0	/P	BATTERY-HOLDDOWN
37	1735285	0	/P	BULB (MFG NO. GE 73)
38	1186020	0		SCR-PHP M6-32X.38 ZP
39	1743516	0	S	FUSE-30 AMP
40	1756739	0		CAP
?43	1755349	0		SCR-PHP 1/4-20X.50 ZP
?44	1752506	0	/P	SWITCH-SEAT
?45	1755487	0		GROMMET
?46	1734934	0		GROMMET-RUBBER
?47	1751328	0	S	SWITCH
?51	1758070	0	S	SCR-HHS 10-24X.625 ZP



13025 12.5 GEAR DRIVE TRACTOR (S/N 130250100101)  
ENGINE ASSEMBLY

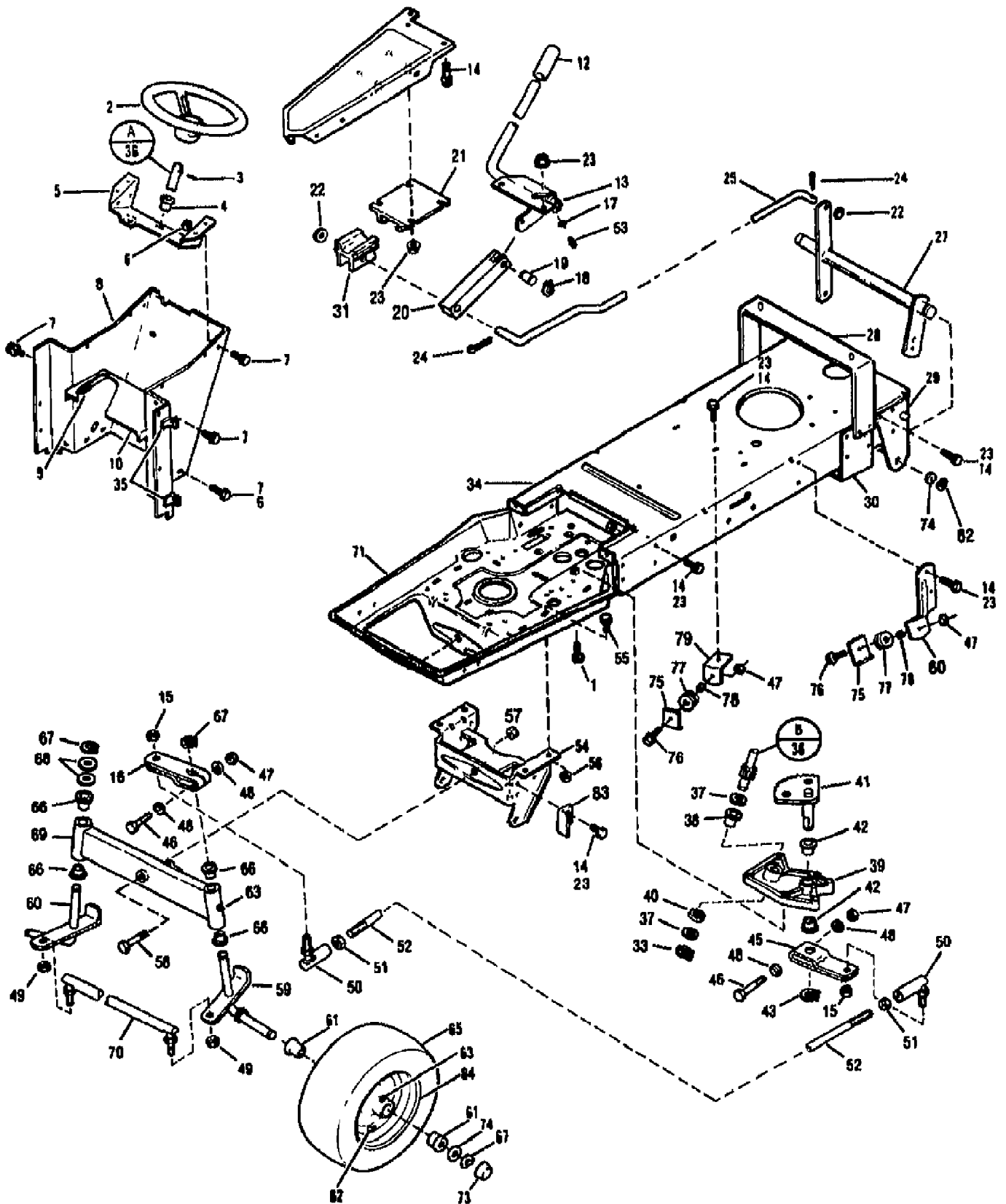


13025 12.5 GEAR DRIVE TRACTOR (S/N 130250100101)  
ENGINE ASSEMBLY

Page 10 of 17

Ref #	Part Number	Qty	S/P/F	Description
1	1744390	0		PAD-FUEL TANK
2	1756044	0	S	CAP-GAS
3	1756460	0		TANK-FUEL
4	1752795	0		LINE-FUEL 52"
5	1750687	0	S	CLAMP-HOSE
8	1737118	0	S	KNOB
9	1755926	0	S	THROTTLE-CONTROL
10	1755927	0		C-CONTROL
12	1185985	0	S/F	NUT W/LKWASHER 10-24 ZP
14	1727491	0	S	FILTER-FUEL
16	0	0		ENGINE, KOHLER MODEL CV1259 (OHV) 12.5 HP
19	1763988	0		SCR-HH M10X1.5X80
20	1735531	0	S	TIE-CABLE NYLON BLACK
21	1747738	0	/P	CLIP-J
26	1744455	0	/P	WASHER-SPEC 1.42X.468X.25 ZP
27	1100244	0	S/F	WASHER-LK .438 ZP
31	1763875	0		SCR-HFLK 1/4-20 X .375
33	1860219	0	F	SCR-HH M8-35
34	1100242	0	S/F	WASHER-LK .312 ZP
35	1748146	0		KEY-.25 SQ X 2.5
36	1747148	0		SHEAVE
37	1755341	0	S	CLUTCH-ELECTRIC
38	1754787	0	/P	CLUTCH-RETAINER
39	1100255	0	S/F	WASHER-FLAT 5/16 SAE
40	1740083	0	S	CLAMP-WORM
41	1764692001	0		BRKT-MUFFLER
45	1750962	0		SCR
46	1763853001	0		SHIELD-HEAT
47	1763852	0		KIT-MUFFLER
?48	1860217	0	/P	BOLT-M8X25
54	1743683	0		ELBOW-45 DEGREES
56	0	0	F	GASKET
57	1745366	0		HANGER-CABLE
58	0	0	F	NUT
59	1763866	0		TUBE-OIL DRAIN
60	1745688	0		CAP-DRAIN TUBE
61	1763829	0		DECAL-ENGINE
62	1186309	0	/P/F	SCR-HH 1/4-20X.625
63	1186389	0	/P/F	NUT-HF/LK 1/4-20 ZP

13025 12.5 GEAR DRIVE TRACTOR (S/N 130250100101)  
FRAME, LIFT & STEERING ASSEMBLY



13025 12.5 GEAR DRIVE TRACTOR (S/N 130250100101)  
FRAME, LIFT & STEERING ASSEMBLY

Page 12 of 17

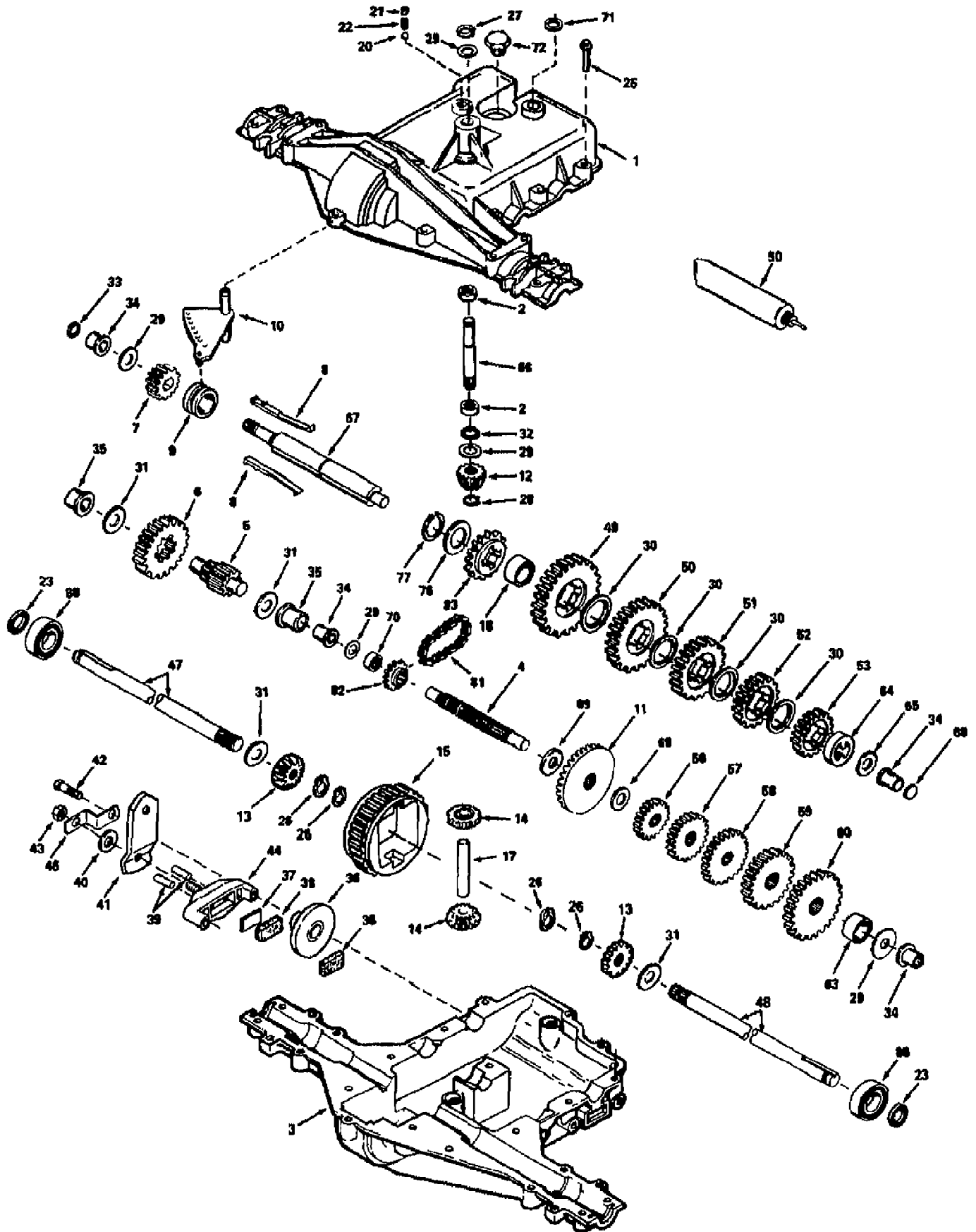
Ref #	Part Number	Qty	S/P/F	Description
	1900706	0	S	PAINT-RED SPRAYCAN POWDER
1	1724491	0	S	SCR-HFLK 5/16-18X.75
2	1727284	0		WHEEL-STEERING
3	1185279	0	/P/F	PIN-ROLL .25X2.25
4	1185632	0		BEARING-FLANGED NYLON
5	1752363	0		SUPPORT-STEERING SHAFT
6	1186389	0	/P/F	NUT-HF/LK 1/4-20 ZP
7	1186309	0	/P/F	SCR-HH 1/4-20X.625
8	1758724010	0		SUPT-INSTRUMENT PANEL
9	1185456	0		NUT-SPEED
10	1756073001	0		SUPPORT-BATTERY
?12	1703539	0	S	GRIP-FLEX
13	1759450001	0		ASSM-LIFT LEVER
14	1186330	0	S	SCR-LOCK
15	1750957	0		NUT-HEX/JAM 1/2-20 ZP
16	1750581	0		ASSM-ARM SPINDLE
17	1805368	0		WASHER
?18	1185427	0		RING-RETAINING
19	1747189	0		PIN
20	1754179	0	/P	LINK-PUSH
21	1757661	0		GUIDE-STAT
22	1107385	0	S/F	WASHER-1.06X.531X.1 ZP
23	1186391	0	S	NUT-HFLK 5/16-18 ZP
24	1100350	0	S/F	PIN-COTTER .120X1.00 ZP
25	1751070	0		ROD-LIFT
27	1754950001	0		ASSM-LIFT SHAFT
28	1754944001	0		ASSM-FENDER SUPPORT
29	1758842001	0		ASSM-PANEL REAR
30	1740984001	0		AXLE-SUPPORT
31	1757659	0	/P	GUIDE-SLIDE
33	1177567	0	S	RING-RETAINING
34	1755847001	0		FRAME-REAR
35	1742934	0		NUT-SPEED
36	1751284	0		SHIFT-STEER
37	1730375	0		WASHER-SHIM
38	1747303	0		BEARING
39	1750594	0		ASSM-STEER SUPT
40	1715301	0	/P	WASHER-1.115X.637X.06
?41	1750501	0		ASSM-SECTOR GEAR
42	1185386	0	/P	BEARING-FLANGE
43	1113527	0	S	RING-RETAIN EXT .707 ID
45	1750581	0		ASSM-ARM SPINDLE
46	1100049	0	S/F	SCR-HH 3/8-16X2.25 G5 ZP
47	1733398	0	S/F	NUT-LOCK 3/8-16
48	1708755	0	F	WASHER-.875X.390X.134
49	1110150	0	S	NUT-LOCK
50	1716180	0		JOINT-BALL
51	1186247	0	S	NUT-JAM
52	1750499	0		ROD-STEERING
53	1185803	0		FITTING-GREASE
54	1763859001	0		BRKT-ATTACHMENT
55	1186345	0	/P	SCR
56	1186393	0	/P	NUT-HFLK 3/8-16 ZP

13025 12.5 GEAR DRIVE TRACTOR (S/N 130250100101)  
FRAME, LIFT & STEERING ASSEMBLY

Page 13 of 17

Ref #	Part Number	Qty	S/P/F	Description
57	1758231	0	S	NUT-H/LK 5/8-11
58	1758232	0		SCR-HH 5/8-11X2.25 G5 ZP
59	1750486001	0		ASSM-SPINDLE LH
60	1750490001	0	/P	ASSM-SPINDLE RH
61	1750341	0	S	BUSHING
62	1718086	0	S	STEM-VALVE
63	1185976	0	S	FITTING-GREASE 1/4-28X2.00
64	1757981	0		WHEEL-RED
65	1762254	0	S	TIRE 15X6.00-6RS
66	1742133	0	S	BUSHING
67	1185388	0	S	RING-RET."E".577 ID
68	1701447	0	/P	WASHER-1.25X.765X.049
69	1750494001	0		ASSM-FRONT AXLE
70	1750841001	0		ROD-TIE
71	1742343001	0		FRAME-FRONT
73	1764776	0	/P	CAP-DUST
74	1185830	0	S	WASHER-1.38 X.765X .06 ZP
75	1747320	0		GUIDE-CABLE
76	1100043	0	S/F	SCR-HH 3/8-16X1.25
77	1756177	0		PULLEY-CABLE
78	1747322	0		SPACER-.75X.40X.51 P/M
79	1747316001	0		BRACKET
?80	1747315001	0		BRACKET
?82	1185388	0	S	RING-RET."E".577 ID
?83	1751715001	0		BRACKET

13025 12.5 GEAR DRIVE TRACTOR (S/N 130250100101)  
PEERLESS TRANSAXLE ASSEMBLY



13025 12.5 GEAR DRIVE TRACTOR (S/N 130250100101)  
PEERLESS TRANSAXLE ASSEMBLY

Page 15 of 17

Ref #	Part Number	Qty	S/P/F	Description
1	772108A	0		COVER, TRANSAXLE
2	780086	0		NEEDLE BEARING
3	770102	0		CASE
4	776260	0		COUNTERSHAFT
?5	776219	0		SHAFT & GEAR
6	778139	0		OUTPUT GEAR
7	778136	0		SPUR GEAR
8	792136	0		SHIFT KEY
9	784352	0		COLLAR
10	784352	0		COLLAR
11	778229	0		BEVEL GEAR
12	778113A	0	S	INPUT PINION
13	778221	0		BEVEL GEAR
14	778068	0		BEVEL GEAR
15	778260	0		RING GEAR
17	786139	0		DRIVE PIN
?18	786102	0		SPACER
20	792077	0		BALL
21	792078	0		SCREW
22	792079	0	S	SPRING
23	788061	0	S	SEAL
25	792073	0		SCREW
26	792125	0		RET RING
27	792035	0	S	RET RING
28	788040	0		RET RING
29	780072	0	S	WASHER
30	780108	0	S	WASHER
31	780001	0		WASHER
32	792001	0	S	O RING
33	788051	0		SQUARE CUT RING
34	780105A	0	S	BUSHING
35	780118A	0		BUSHING
36	790003	0		BRAKE DISK
37	790007	0	S	BRAKE PAD PLATE
38	790006	0		BRAKE PAD
39	786026	0	S	DOWEL PIN
40	792076	0		WASHER
41	790031	0		BRAKE LEVER
42	792073	0		SCREW
43	792075	0		NUT
44	790025	0		HOLDER
?46	786086	0		BRACKET
47	774697	0		AXLE
48	774738	0		AXLE
49	778191	0		SPUR GEAR
50	778124A	0	S	SPUR GEAR
51	778123A	0	S	SPUR GEAR
52	778122A	0		SPUR GEAR
53	778209	0		SPUR GEAR
?56	778230	0		SPUR GEAR
?57	778126A	0		SPUR GEAR
?58	778127A	0		SPUR GEAR
59	778128A	0		SPUR GEAR

13025 12.5 GEAR DRIVE TRACTOR (S/N 130250100101)  
PEERLESS TRANSAXLE ASSEMBLY

Page 16 of 17

Ref #	Part Number	Qty	S/P/F	Description
?60	778163	0		SPUR GEAR
63	786071	0		SPACER
64	786072	0		SPACER
65	780109	0		WASHER
?66	776226	0		INPUT SHAFT
67	776322	0		BRAKE SHAFT
68	786116	0		DISK
69	780051	0		WASHER
70	786118	0		SPACER
71	788069	0		SEAL
72	792074	0		PLUG
76	780090	0		WASHER
77	788075	0		RET RING
81	786062A	0		ROLLER CHAIN
82	786061	0		SPROCKET
83	786124	0		SPROCKET
?88	780119	0		BALL BEARING
90	788067B	0		GREASE



13025 12.5 GEAR DRIVE TRACTOR (S/N 130250100101)  
WIRING DIAGRAM

