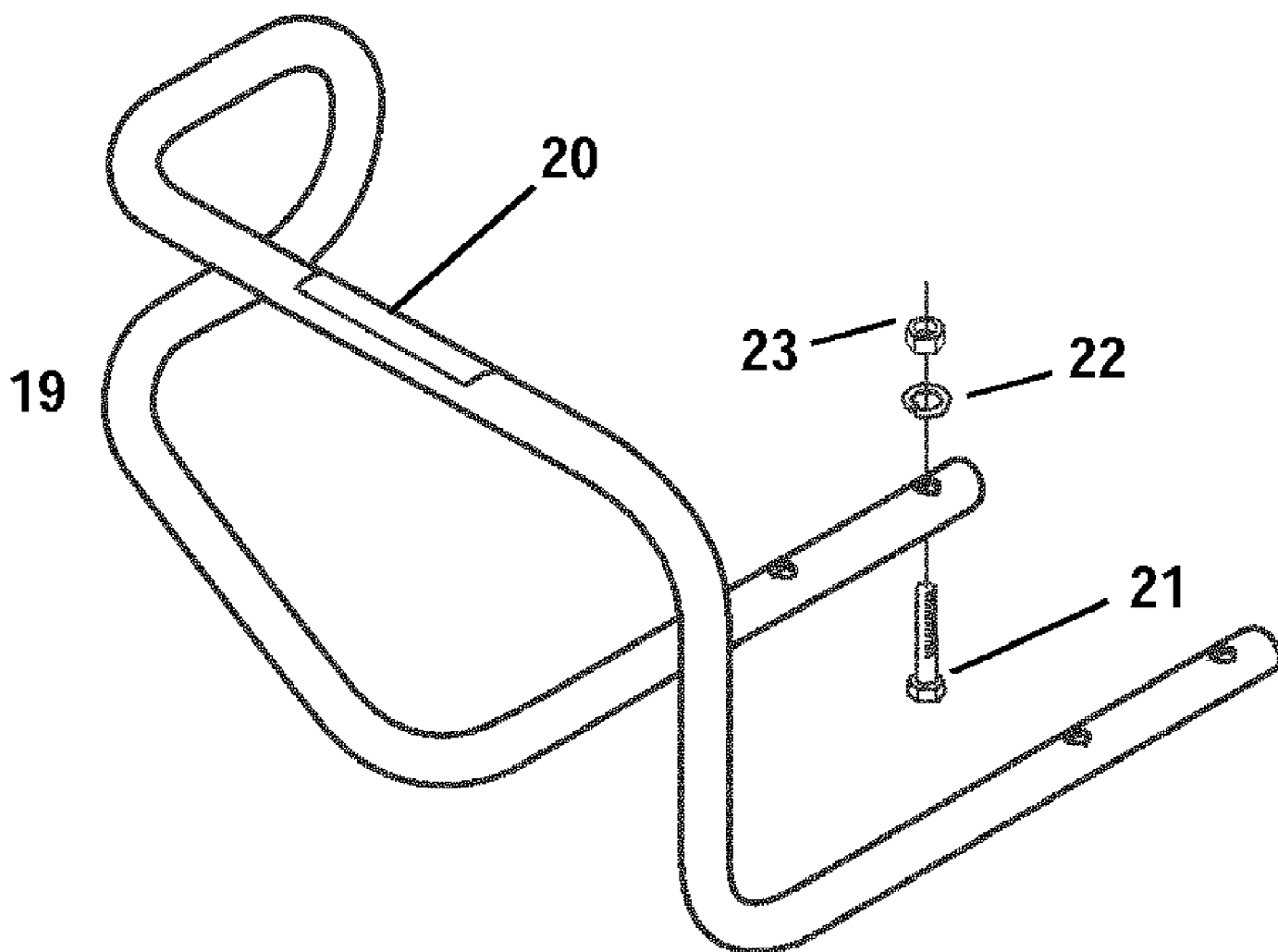


21A-675B766 5.5HP Roto-Tiller (2004)
Bumper Attachment (Optional)



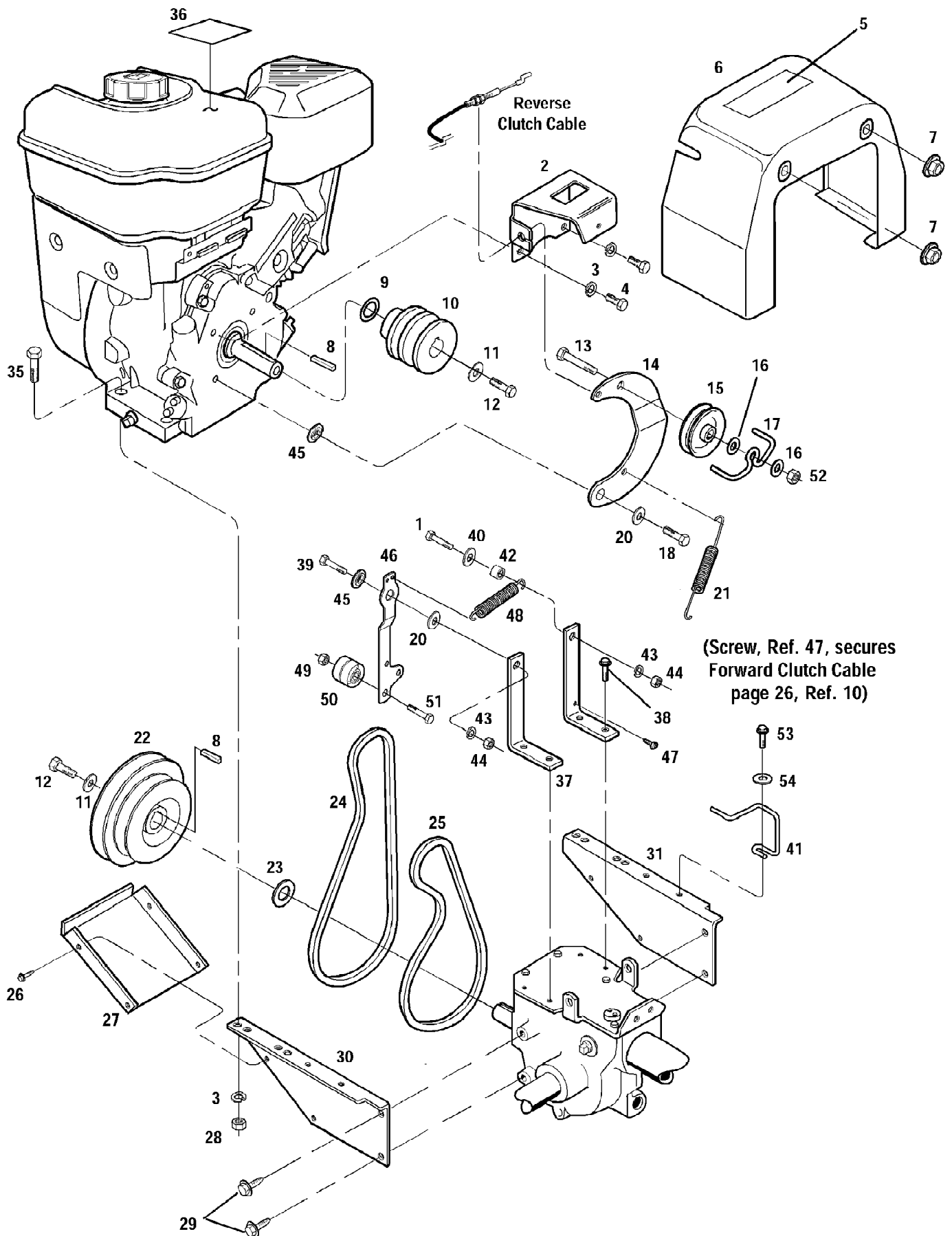
BUMPER
OEM-290-254

21A-675B766 5.5HP Roto-Tiller (2004)
Bumper Attachment (Optional)

Page 2 of 19

Ref #	Part Number	Qty	S/P/F	Description
19	1918749	1		Bumper
20	777S30653	1		Decal - Caution
21	710-0395	1	/P	Screw-hex hd., 5/16-18 x 2-1/4 Specify GRADE 5 if ordering part locally.
22	736-0119	1	S	Lockwasher-5/16 Specify GRADE 5 if ordering part locally.
23	712-0267	1	S	Nut-hex, 5/16-18 Specify GRADE 5 if ordering part locally.
	1918781	1		Hardware Kit: Incl. four each of Refs. 21, 22 and 23
OEM-290-254	OEM-290-254	1		Bumper

21A-675B766 5.5HP Roto-Tiller (2004)
Drive



21A-675B766 5.5HP Roto-Tiller (2004)
Drive

Page 4 of 19

Ref #	Part Number	Qty	S/P/F	Description
1	710-0395	1	/P	Hex Hd. Screw, 5/16-18 x 2-1/4
2	1917326	1	S	Bracket, Clutch Cable
3	736-0119	1	S	Lockwasher-5/16
4	710-0107	1	/P	Hex Hd. Screw, 5/16-24 x 1/2
5	777S30651	1		Decal, Hot Surfaces / Belt Warning
6	1916659	1	S	Cover
7	712-3004A	1	/P	Flange Lock Nut, 5/16-18
8	1108841	1	S	Key, 3/16 x 1-1/2
9	GW-1138-1	1	S	Shim, 1.0 x .7656 x .062
10	1916520	1	S	Pulley, Engine Drive
11	GW-9944	1	S	Washer, .827 x .331 x .098
12	GW-9572	1	S	Hex Hd. Screw, 5/16-24 x 1-1/8
13	710-3103	1	/P	Hex Hd. Screw, 5/16-18 x 2
14	1918731	1	S	Reverse Idler Arm
15	1916535	1	/P	Pulley, Reverse Idler
16	736-0159	1	S	Flat Washer, 5/16
17	1916725	1	S	Belt Guide, Wire Formed
18	710-0117	1	S	Hex Head Screw, 5/ 16-24 x 1
19	1917746	1	S	Washer, Shoulder
20	736-3078	1	/P	Washer, Flat, 1-1/8
21	1916728	1	S	Spring, Reverse Return
22	1916522	1	S	Transmission Pulley
23	GW-1440	1	S	Support Washer
24	1918812	1	/P	Reverse Clutch Belt
25	1909404	1	/P	Forward Clutch Belt
26	1900396	1	/P	Self-tapping Screw, #10-32 x 1/2
27	GW-20339	1	S	Guard, Belts/Pulleys
28	712-0267	1	S	Hex Nut, 5/ 16-18
29	1186329	1	S	Hex Flange Screw, 5/16-18 x 3/4 Specify GRADE 5 if ordering part locally.
30	1916797	1	S	Engine Support Bracket, left side
31	1916796	1	S	Engine Support Bracket, right side
35	710-0805	1	/P	Hex Hd. Screw, 5/16-18 x 1-1/2
36	777I20942	1		Decal, Stabilization
37	1918774	1	S	Mounting Bar
38	710-1260A	1	/P	Hex Flange Screw, 5/16-18 x .75
39	710-3037	1	S	Hex Hd. Screw, 5/16-18 x 2-1/4 Specify GRADE 5 if ordering part locally.
40	736-0275	1	S	Flat Washer, 5/16'
41	1918846	1	S	Belt Guide, Pony
42	GW-55088	1	/P	Pivot Bushing
43	736-0119	1	S	Lockwasher, 5/ 16
44	712-3010	1	S	Hex Nut, 5/ 16-18
45	1917746	1	S	Washer, Shoulder
46	1918744	1	S	Idler Arm, Forward Tiller Direction
47	1767754	1	/P	Screw, self tapping, #10-24
48	1916727	1	/P	Spring
49	712-3000	1	S	Hex Locknut, 5/ 16-18
50	GW-9090	1	S	Idler Pulley, Forward
51	710-0347	1	/P	Screw, 3/8-16 x 1-3/4
52	712-0158	1	S	Hex Lock Nut, 5/16-18
53	1754128	1	/P	Screw, 1/4-20 x 3/4

21A-675B766 5.5HP Roto-Tiller (2004)
Drive

Page 5 of 19

Ref #	Part Number	Qty	S/P/F	Description
54	736-0463	1	S	Flat Washer, 1/4

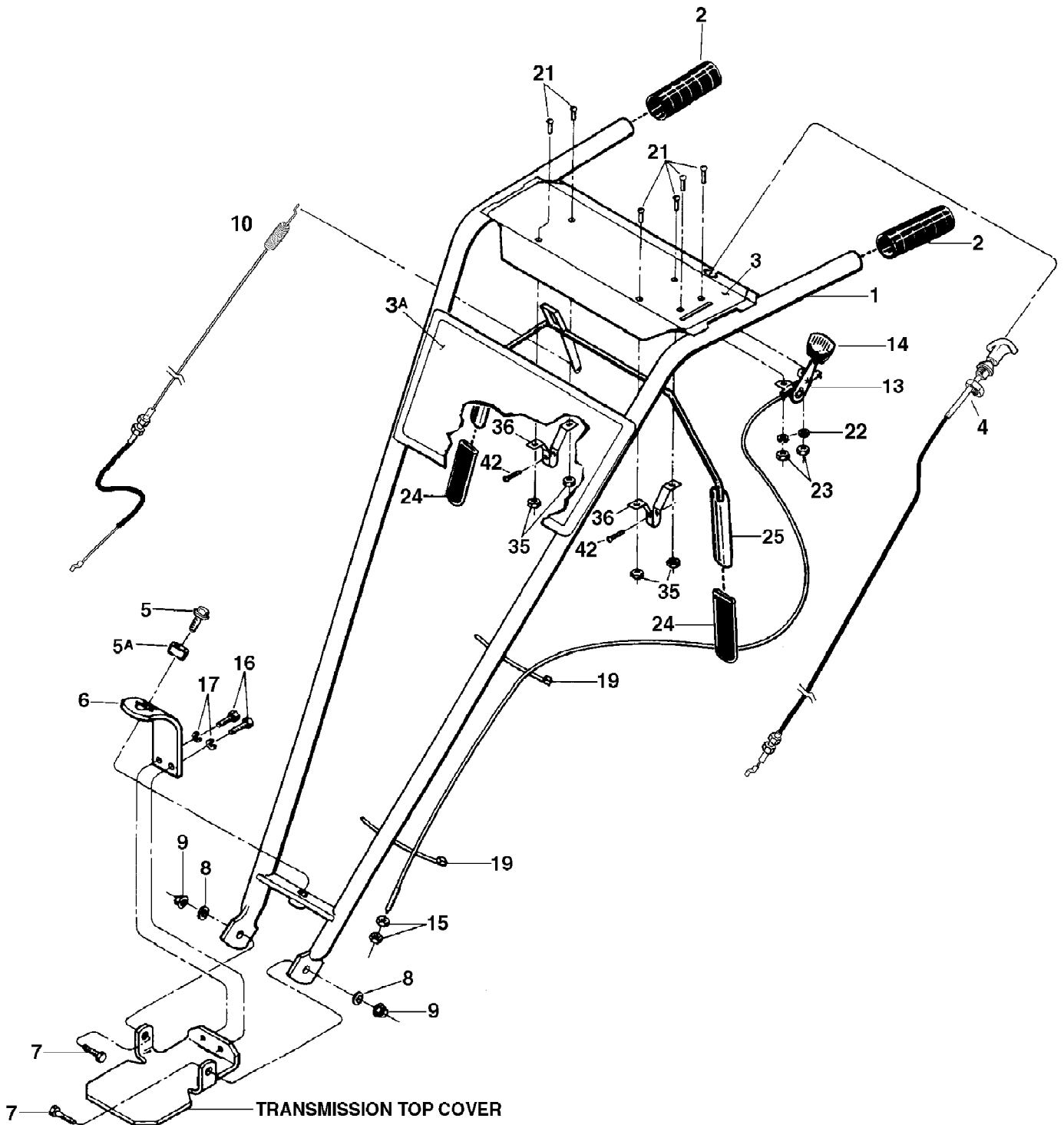
21A-675B766 5.5HP Roto-Tiller (2004)
Driveshaft

Page 6 of 19

21A-675B766 5.5HP Roto-Tiller (2004)
Driveshaft

Page 7 of 19

Ref #	Part Number	Qty	S/P/F	Description
1	GW-1714	1	S	Bearing, Tapered Roller with Race
2	GW-20718	1	S	Spur Gear
3	GW-9301	1	S	Key, 3/16 sq. x 1
4	1916597	1	S/F	Main Drive Shaft
5	GW-1224-1	A/R	S/F	Shim, Rear Bearing Cap, .010" thick A/R - As Required
5	GW-1224-2	A/R	S/F	Shim, same as above, but .030" thick A/R - As Required
5	GW-1224-3	A/R	S/F	Shim, same as above, but .005" thick A/R - As Required
	GW-1325C	A/R	/P	Shim Set A/R - As Required; (Incl. two GW-1224-1; two 1224- 2 and one GW-1224-3
6	GW-9572	1	S	Hex Hd. Screw, 5/16-24 x 1-1/8 1 Specify GRADE 5 if ordering part locally.
7	GW-9944	1	S	Washer, Disc Spring (concave surface faces pulley)
8	1108841	1	S	Key, 3/16 sq. x 1-1/2
9	1916522	1	S	Transmission Drive Pulley
10	GW-1440	1	S	Support Washer
11	721-04044	1	S	Oil Seal, Input Pinion Shaft
12	1113527	1	S	Retaining Ring (external)
13	GW-9953	1	/P	Thrust Washer
14	GW-9428	1	/P	Bushing
15	GW-9677	1	/P	Set Screw, 5/16-18 x 3/8 Specify GRADE 5 if ordering part locally.
16	GW-20791	1	/P	Input Pinion (steel shaft)
17	GW-20792	1	S	Input Pinion Gear
18	GW-9093	1	/P	Retaining Ring (external)
19	GW-20799	1	/P	Pinion Assy. (Incl. Refs. 16, 17 & 18)
20	GW-9517	1	S	Retaining Ring

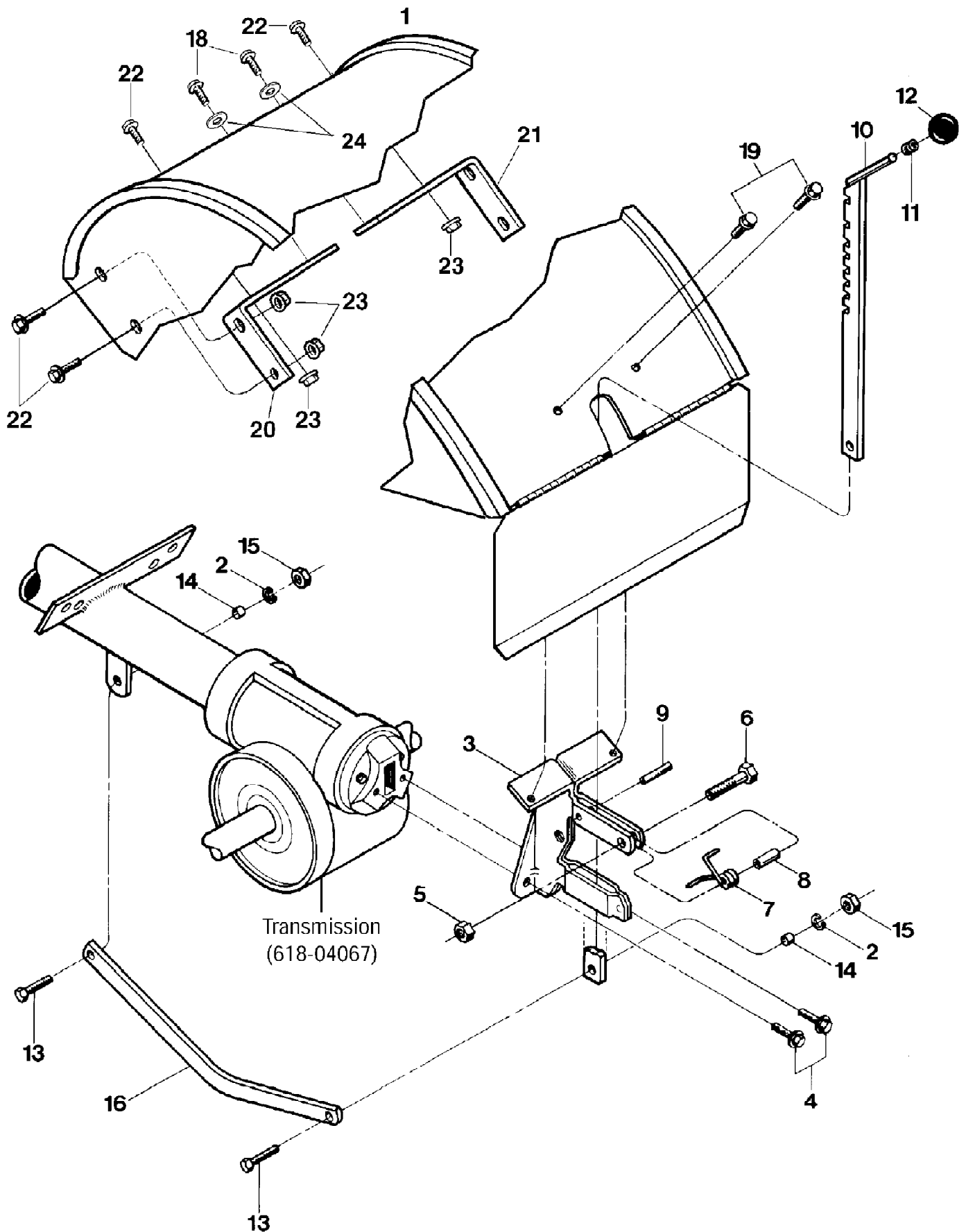


21A-675B766 5.5HP Roto-Tiller (2004)
Handlebar Assembly

Page 9 of 19

Ref #	Part Number	Qty	S/P/F	Description
1	1918801	1	S	Handlebars
2	GW-9126	1	S	Grip
3	777I22071	1		Decal, Control Panel
3A	777D06865	1		Decal, Model Name/Logo
4	1916784	1	S	Reverse Clutch Control Cable
5	1186347	1	S	Height Adjustment Screw
5A	GW-9955	1	S	Washer, Keyed
6	1900475	1	S	Bracket, Handlebar Height Adjustment
7	710-0514	1	/P	Hex Hd. Screw, 3/8-16 x 1 Specify GRADE 5 if ordering part locally.
8	736-3050	1	/P	Washer, Plain (flat) 3/8, S.A.E.
9	712-3000	1	S	Hex Locknut, 3/8-16
10	746-04027	1	S	Forward Clutch Control Cable
13	1916639	1	S	Wheel Clutch Control
14	GW-9057	1	/P	Knob, Wheel Gear Control Lever
15	1186211	1	/P	Hex Nut, 5/16-24
16	GW-90064	1		Hex Hd. Screw, 3/8-16 x 3/4 Specify GRADE 5 if ordering part locally.
17	736-0169	1	S	Lockwasher, 3/8
19	725-0157	1	/P	Cable Ties, Plastic
21	1114748	1	/P	Round Hd. Screw, #10-32 x 1/2
22	1100240	1	/P	Lockwasher, #10
23	1186208	1	/P	Hex Nut, #10-32
24	GW-9390	1	/P	Grip
25	1918802	1	S	Bail, Forward Clutch Control
35	GW-9853	1	/P	Sems Nut
36	GW-20806	1	/P	Bracket, Bail Support
42	710-0599	1	/P	Flange Screw, Self-tapping, 1/4-20 x 1/2 Specify GRADE 5 if ordering part locally.

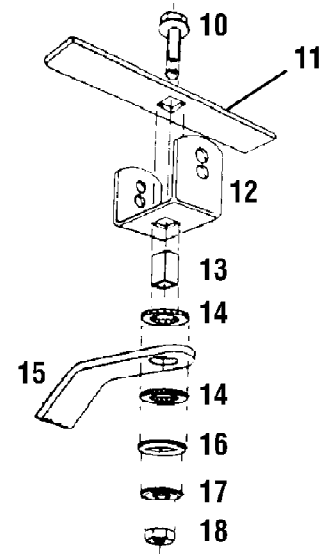
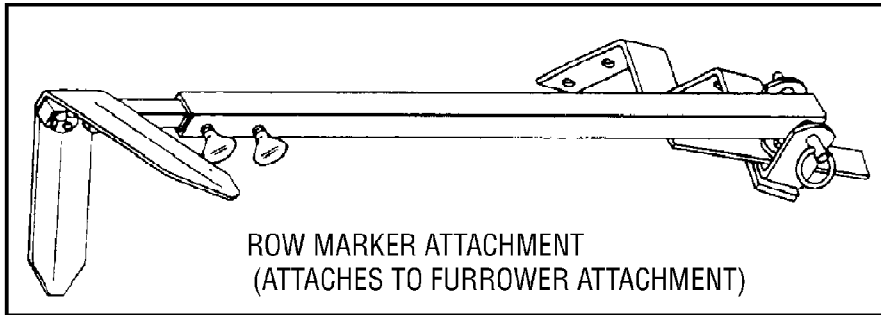
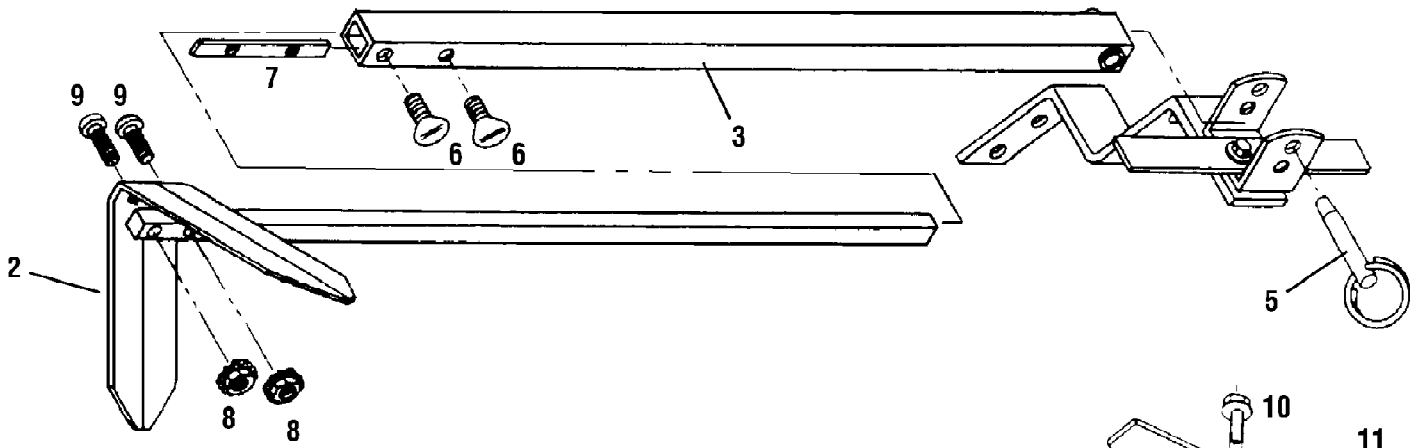
21A-675B766 5.5HP Roto-Tiller (2004)
Hood



21A-675B766 5.5HP Roto-Tiller (2004)
Hood

Page 11 of 19

Ref #	Part Number	Qty	S/P/F	Description
1	686-04021	1	S	Hood, Tine
2	736-0169	1	S	Lockwasher, 3/8
3	GW-2527	1	/P	Bracket, Hood & Depth Regulator
4	710-04049	1	/P	Hex Hd. Flg. Screw, 5/16-18 x 5/8 Specify GRADE 5 if ordering part locally.
5	712-0291	1	S	Hex Lock Nut, 1/4-20
6	710-0597	1	/P	Hex Hd. Screw, 1/4-20 x 1 Specify GRADE 5 if ordering part locally.
7	GW-9384	1	S	Spring, Depth Regulator Plunger
8	GW-9534	1	/P	Spacer
9	1185469	1	S	Roll Pin (spiral), 1/4 x 1
10	1916186001	1		Bar Assembly, Depth Adjustment
11	GW-9120	1	/P	Retaining Ring (Tolerance Ring)
12	GW-9119	1	/P	Knob, Depth Regulator
13	710-3005	1	/P	Hex Hd. Screw, 3/8-16 x 1-1/4 Specify GRADE 5 if ordering part locally.
14	GW-1113-1	1	S	Bushing (spacer)
15	712-3017	1	S	Hex Nut, 3/8-16
16	GW-20775	1	S	Drag Bar, Depth Regulator
18	710-3038	1	/P	Hex Hd. Screw, self-tapping, 16-18 x 7/8 Specify GRADE 5 if ordering part locally.
19	710-0599	1	/P	Flange Screw, self-tapping, 1/4-20 x 1/2 Specify GRADE 5 if ordering part locally.
20	1916700001	1		Support Bracket, Left-Side
21	1916701001	1		Support Bracket, Right-Side
22	1186328	1	S	Hex Hd. Screw, 5/16-18 x 5/8
23	1186391	1	S	Hex Nut, 5/16-18
24	736-0242	1	/P	Bell Washer
618-04067	618-04067	1	S	Transmission

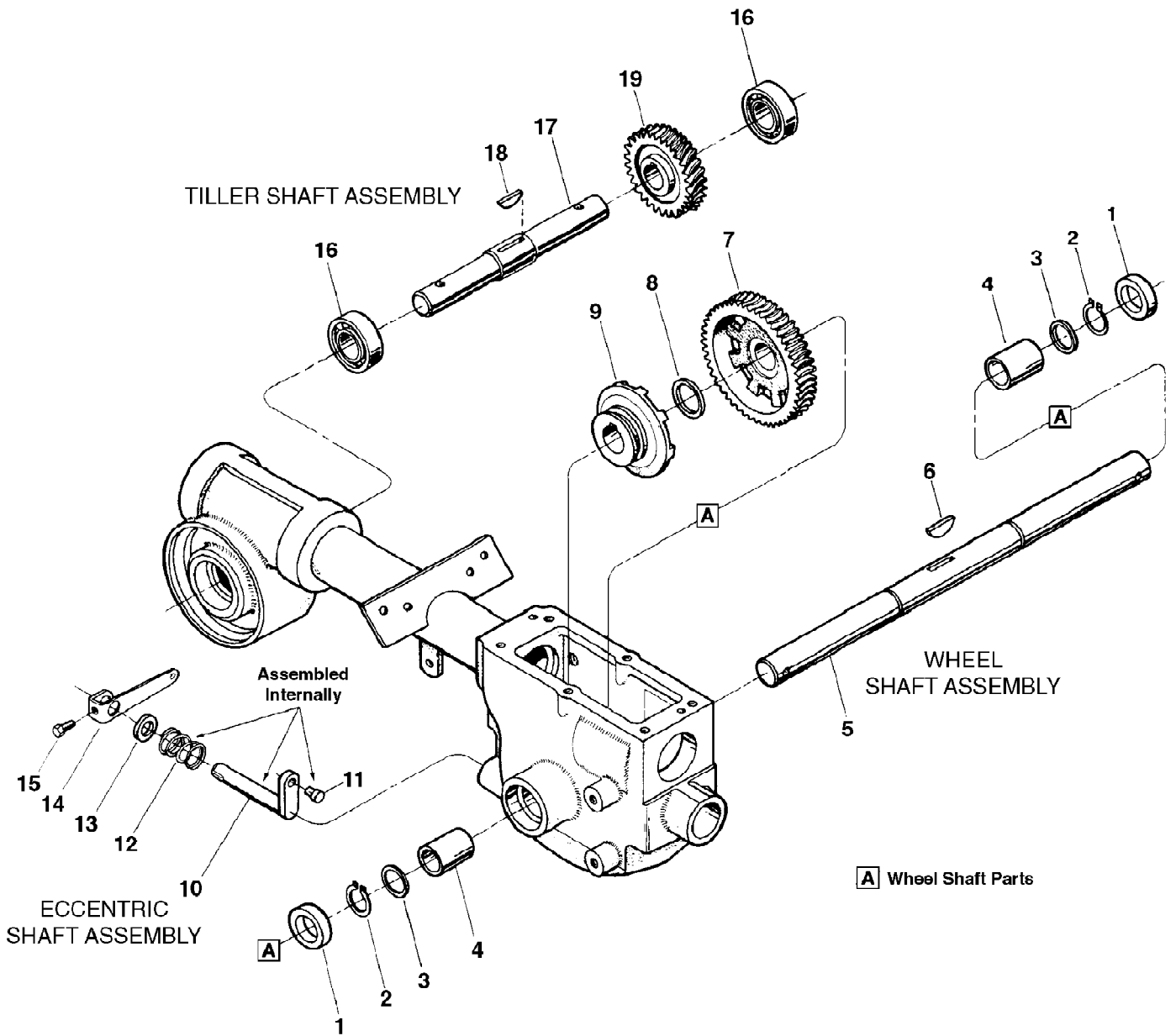


MAIN SUPPORT/YOKE ASSEMBLY

21A-675B766 5.5HP Roto-Tiller (2004)
Row Marker Attachment (Optional)

Page 13 of 19

Ref #	Part Number	Qty	S/P/F	Description
1		1		Main Support & Yoke Assy
2	GW-1594	1	/P	Marker Blade-blade only
3	1904524001	1		Marker Arm-main arm
4	1904523001	1		Marker Arm-extension arm with pin
5	GW-9347	1	/P	Hitch Pin
6	GW-9786	1		Thumbscrew-1/4-20 x 1/2
7	GW-1596	1	/P	Nut Bar
8	GW-9828	1		Nut-hex, 10-24 w/ attached star washers
9	1100135	1	/P	Screw-round hd.,10-24
	GW-1837	1	/P	Hardware Package Includes: one GW-9347 hitch pin, two GW-9786 thumbscrews, two GW-9828 hex nuts and two 1100135 screws
10	1186349	1	/P	Screw-hex flanged locking,3/8-16 x 1-1/2 Specify GRADE 5 if ordering part locally.
11	GW-1593	1	/P	Stop Bar
12	GW-1592	1	/P	Yoke
13	GW-1591	1	/P	Tube Key-square
14	GW-1590	1	/P	Washer-friction
15	GW-1588	1	/P	Main Support
16	GW-1589	1	/P	Washer-square hole
17	GW-9925	1		Washer-disc spring
18	1186231	1	S	Nut-hex 3/8-161
	290-257-081	1		Row Marker Order from Whole Goods

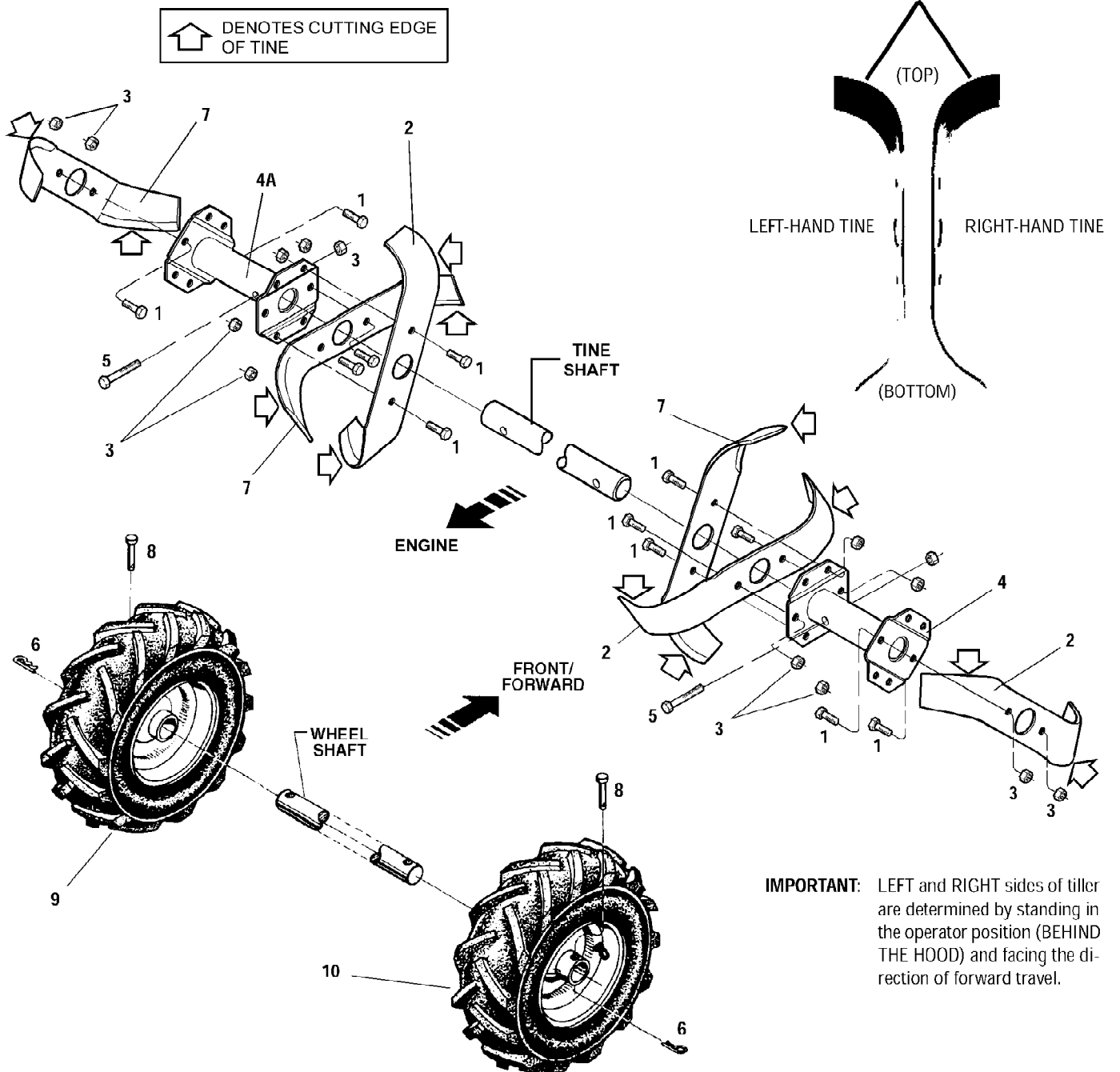


21A-675B766 5.5HP Roto-Tiller (2004)
Shaft Assemblies

Page 15 of 19

Ref #	Part Number	Qty	S/P/F	Description
1	721-04031	1	S	Oil Seal
2	1909950	1	S	Retaining Ring (heavy-duty, external)
3	GW-1166-1	1	S	Shim, 1-1/64 I.D., .062" thick A/R - As Required
	GW-1166-2	1	/P	Shim, as above, but .030" thick A/R - As Required
	GW-1166-3	1	/P	Shim, as above, but .015" thick A/R - As Required
	GW-1166-4	1	S	Shim, as above, but .010" thick A/R - As Required
4	GW-1086	1	S	Bushing
5	GW-2494	1	S	Wheel Shaft
6	GW-9373	1	/P	Hi-Pro Key, 1/4 x 1-5/16
7	GW-20914	1	/P	Wheel Drive Worm Gear (cast-iron)
8	GW-9935	1	/P	Shim, 6 I.D. x 1.468 O.D. x .062
9	GW-20712	1	/P	Wheel Drive Clutch (cast-iron)
10	611-04002	1	/P	Eccentric Shaft
11	GW-1442	1	S	Pin, Eccentric Shaft
12	GW-9055	1	/P	Spring
13	721-04034	1	S	Oil Seal
14	786-04001	1	/P	Eccentric Shaft Lever
15	710-3013	1	/P	Hex Hd. Screw, 1/4-20 x 1/2 Specify GRADE 5 if ordering part locally.
16	741-3037	1	S	Ball Bearing
17	711-04130	1	S	Tiller Shaft
18	GW-1104	1	/P	Woodruff Key, 1/4 x 1-1/4
19	1904279	1	S	Tiller Drive Worm Gear (bronze)

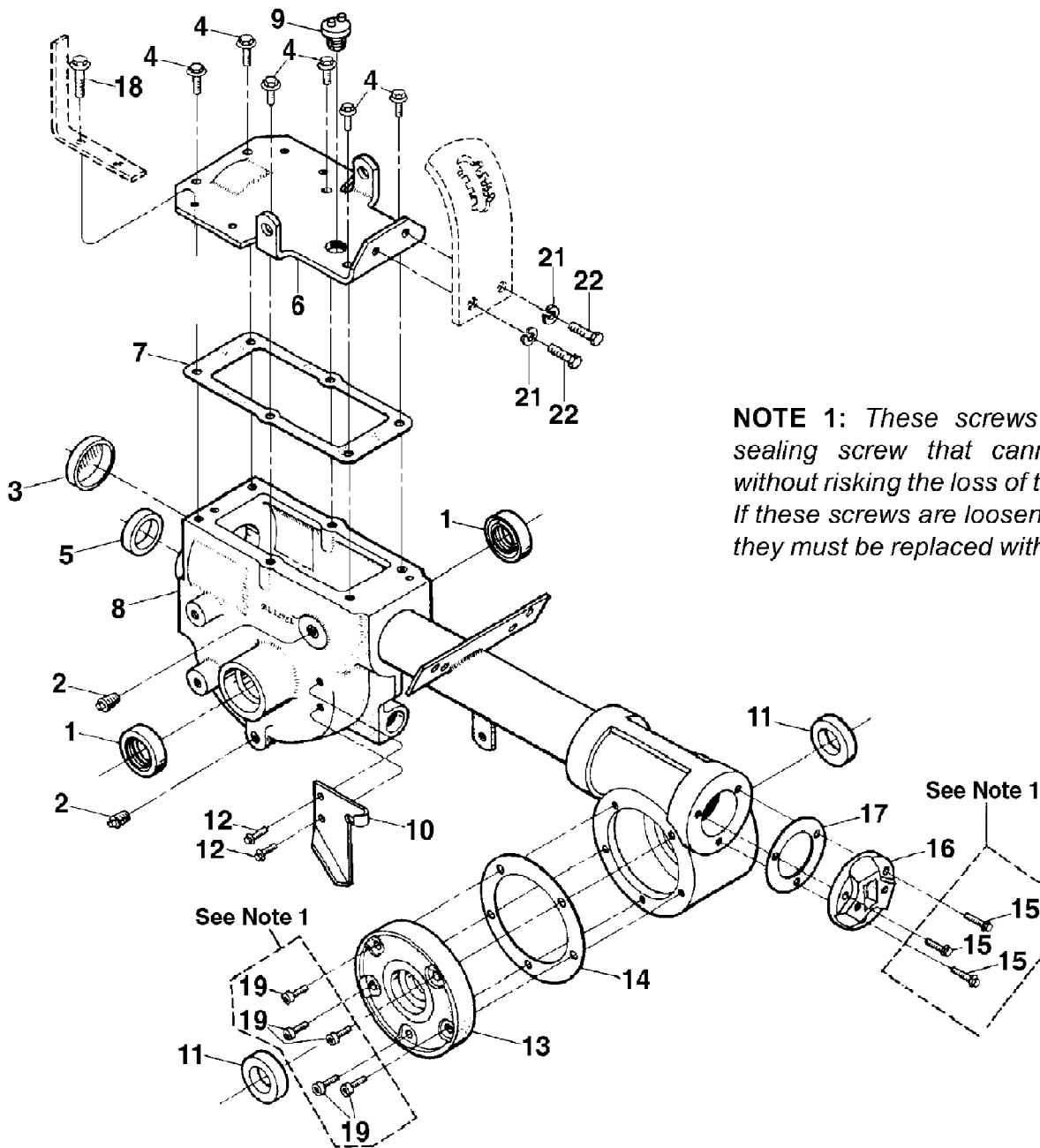
Mount Tines So The Cutting Edge At The
Top Of Each Tine Faces The Operator



21A-675B766 5.5HP Roto-Tiller (2004)
Tines & Wheels

Page 17 of 19

Ref #	Part Number	Qty	S/P/F	Description
1	710-0216	1	/P	Hex Hd. Screw, 3/8-16 x 3/4
2	1985101	1		Tine - right-hand
3	712-3000	1	S	Hex Lock Nut, 3/8-16
4	1916693	1	S	Tine Holder, left-side
4A	1916694	1	S	Tine Holder, right-side
5	710-3096	1	/P	Hex Hd. Screw, 3/8-16 x 2, Grade 8
6	GW-9338	1	S	Hitch Pin
7	1985100	1	/P	Tine - left-hand
8	GW-9380	1	S	Clevis Pin, .312 x 1-3/4 long
9	634-04033	1	S	Wheel & Tire Assy., left-side
10	634-04032	1	S	Wheel & Tire Assy., right-side



NOTE 1: *These screws are a special sealing screw that cannot be reused without risking the loss of transmission oil. If these screws are loosened or removed, they must be replaced with new screws.*

21A-675B766 5.5HP Roto-Tiller (2004)
Transmission

Page 19 of 19

Ref #	Part Number	Qty	S/P/F	Description
1	721-04031	2	S	Oil Seal (Double Lip), Wheel Shaft
2	1105620	2	/P	Pipe Plug, 1/4,
3	721-04001	1	/P	Seal, Transmission Bore
4	1186329	6	S/F	Hex Flange Screw, 5/16-18 x 3/4
5	1983632	1	S	Oil Seal, Input Pinion Shaft
6	1916193001	1	/P	Transmission Cover (Incl. four Ref. 18 and two ea. Refs. 21 & 22)
7	GW-20694	1	/P	Gasket, Transmission Top Cover
8	619-04010	1	S	Transmission Case Assy. (Incl. Tube and Rear Housing)
9	GW-9467	1	/P	Plug
10	1916198001	1	/P	Mounting Plate, Wheel Clutch Cable
11	721-04035	2	S	Oil Seal, Tiller Shaft
12	1186328	2	S/F	Hex Flange Screw, 5/16-18 x 5/8
13	GW-20873	1	/P	Tiller Housing Cover, left side
14	GW-1129-1	1	S	Gasket, Tiller Housing Cover, .010" (fits all covers) A/R
15	1915089	1	/P	Screw Kit: Incl. three 1/4-20 x 7/8 Self-Sealing Screws A/R
16	1900881001	1	S	Rear Bearing Cap
17	GW-1124-2	1	S	Gasket, Rear Bearing Cap, .010" Thick A/R
18	GW-90063	4	/P/F	Hex Flange Screw, 5/16-18 x 1
19	1915087	1	/P	Screw Kit Incl. five 1/4-20 x 5/8 Self-Sealing Screws A/R
21	736-0169	2	S	Lockwasher, 3/8
22	710-0216	2	/P/F	Hex Hd. Screw, 3/8-16 x 3/4