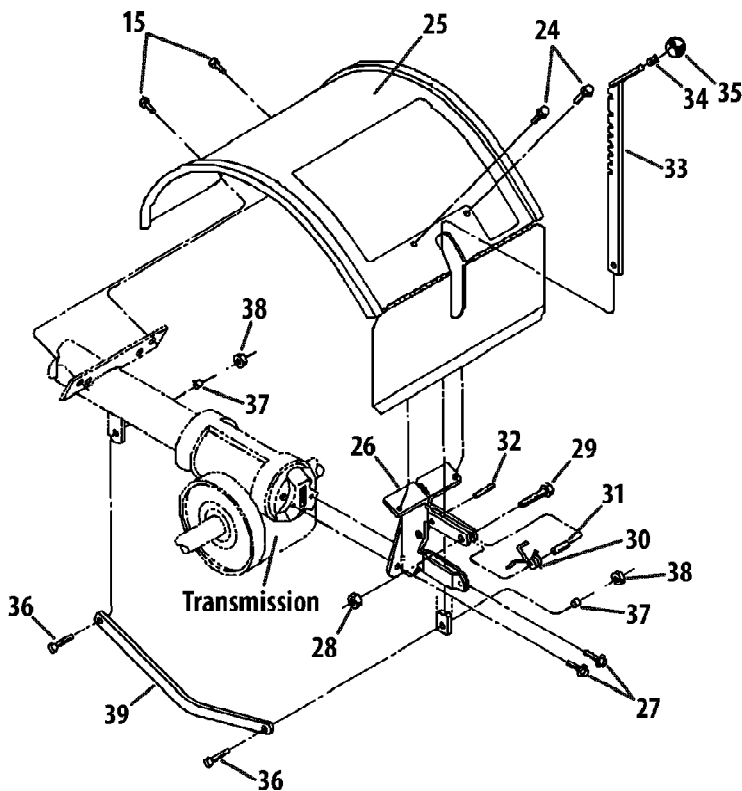
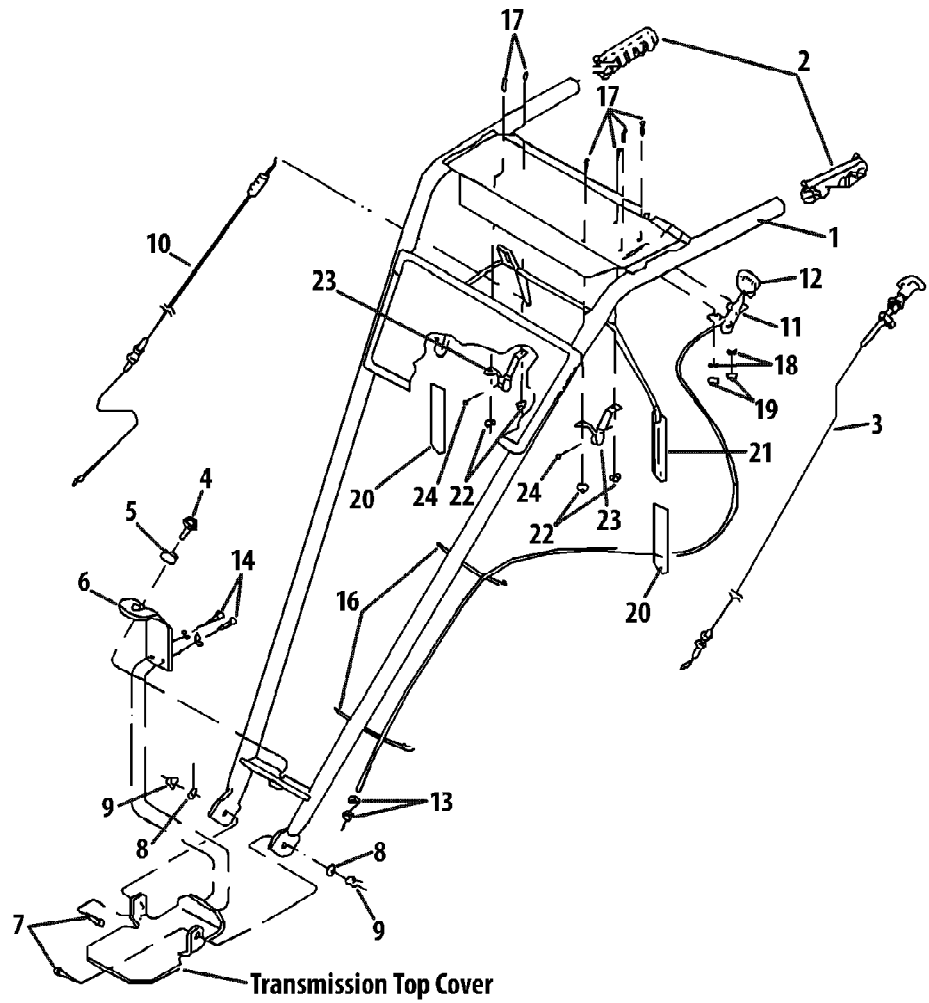


21A-665B766 ProLine FRT Roto-Tiller (2010)  
Handle & Tine Shield



21A-665B766 ProLine FRT Roto-Tiller (2010)  
Handle & Tine Shield

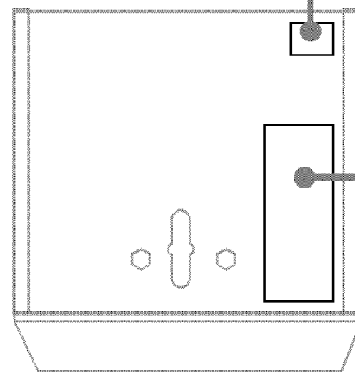
Page 2 of 12

Ref #	Part Number	Qty	S/P/F	Description
1	1918811P	1	/P	Handlebars
2	720-0274	1	/P	Grip
3	1916784	1	S	Reverse Clutch Control Cable
4	710-04042	1	/P	Hex Flange Screw, 3/8-16
5	GW-9955	1	S	Keyed Washer
6	1900475010	1	/P	Handlebar Hgt. Adjustment Bracket
7	710-0514	1	/P	Hex Hd. Screw, 3/8-16 x 1
8	736-3050	1	/P	Plain Washer, 3/8
9	912-3000	1	/P	Hex Locknut, 3/8-16
10	746-04027	1	S	Forward Clutch Control Cable
11	GW-9442P	1	/P	Wheel Gear Control & Cable Ass.
12	GW-9057	1	/P	Wheel Gear Control Lever Knob
13	1186211	1	/P	Hex Nut, 5/16-24
14	710-0623	1	/P	Self-tapping Screw, 3/8-16 x 3/4
15	710-0759	1		Self-tapping Screw, 5/16-18 x 5/8
16	725-0157	1	/P	Cable Ties
17	1114748	1	/P	Round Head Screw, #10-32 x 1/2
18	936-0722	1	/P	Lockwasher, #10
19	1186208	1	/P	Hex Nut, #10-32
20	GW-9390	1	/P	Grip
21	1918840	1	/P	Forward Clutch Bail
22	GW-9853	1	/P	Sems Nut
23	GW-20806	1	/P	Bail Support Bracket
24	710-0599	1	/P	Self-tapping Screw, 1/4-20 x 1/2
25	686-04078-0638	1	/P	Tine Hood
26	GW-2525	1		Depth Regulator
27	710-04049	1	/P	Hex Flange Screw, 5/16-18 x 5/8
28	712-04064	1	/P	Hex Locknut, 1/4-20
29	710-0597	1	/P	Hex Head Screw, 1/4-20 x 1
30	732-04320	1	/P	Spring
31	750-04556	1		Spacer
32	715-04034	1	/P	Roll Pin (spiral), 1/4 x 1
33	1900864	1	/P	Depth Regulator
34	GW-9120	1	/P	Retaining Ring
35	GW-9119	1	/P	Depth Regulator Knob
36	710-3005	1	/P	Hex Head Screw, 3/8-16 x 1-1/4
37	GW-1113-1099	1	/P	Drag Bar Bushing
38	712-04065	1	/P	Hex Nut, 3/8-16
39	1916185001	1	/P	Drag Bar

777122624



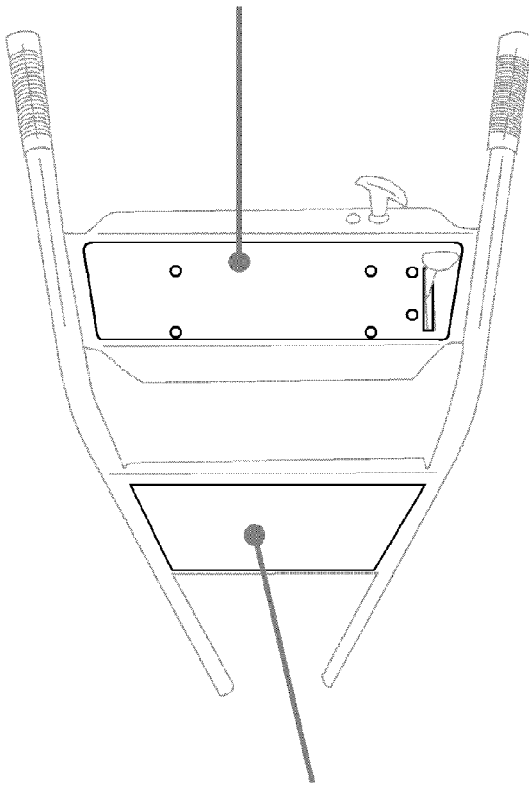
MODEL PLATE



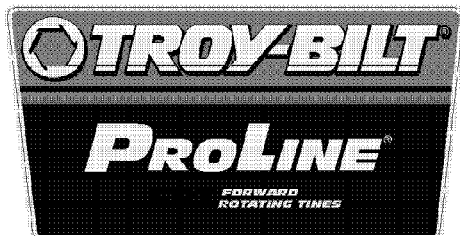
777S33475



Rear



777D10810



777X43688  
Place Near Fuel Cap

777120358  
Place On Air Cleaner

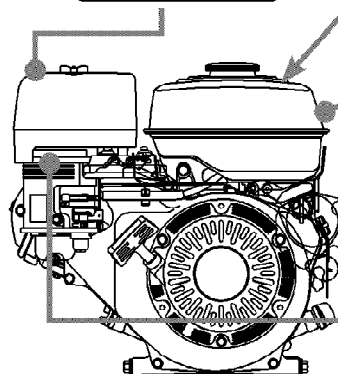
WHEN STARTING ENGINE PLACE FREE HAND HERE



777120940  
On Side Of Fuel Tank

Check Engine Oil Level Before Each Startup. See Engine Owner's Manual.

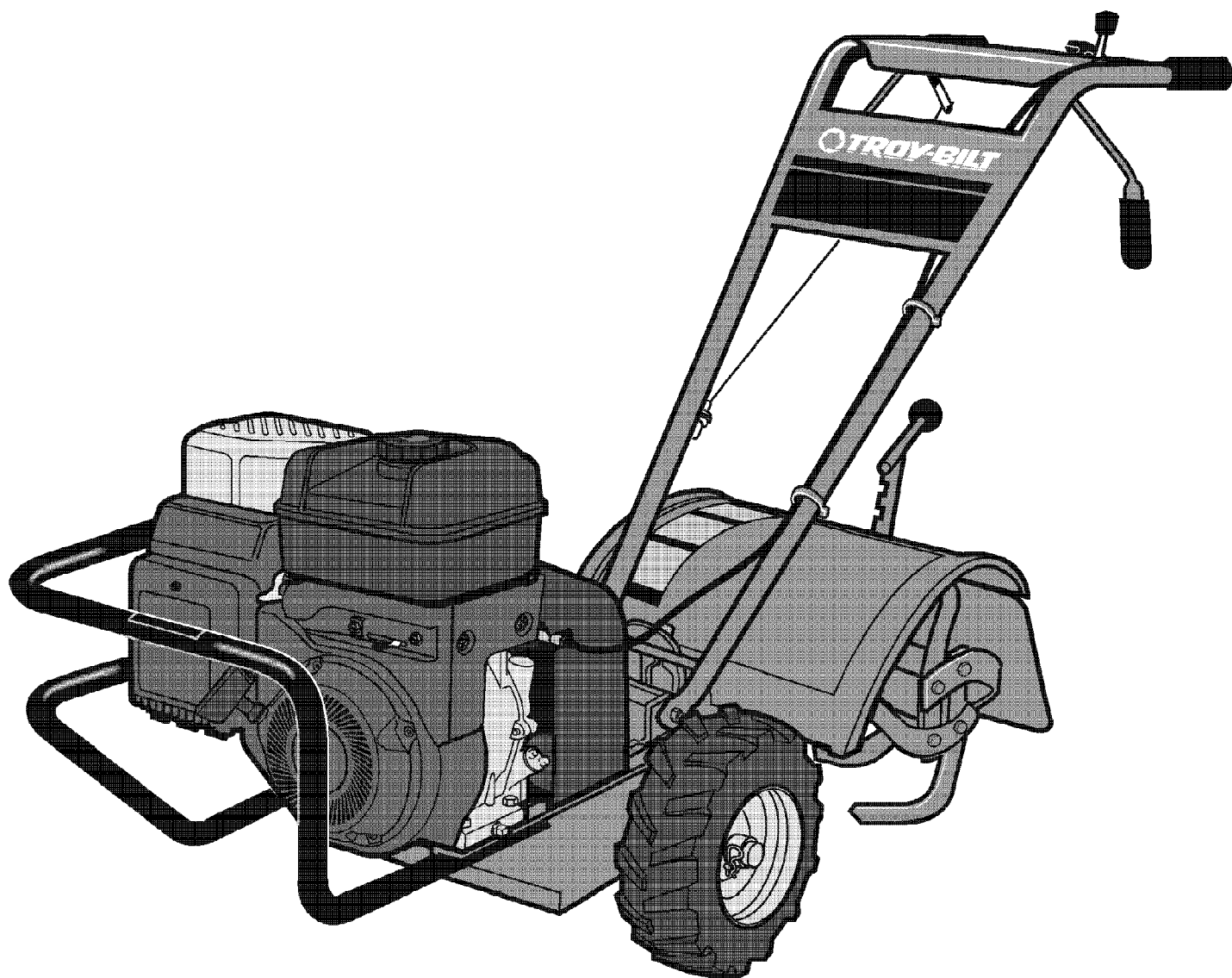
777122035  
On Engine Above Throttle



21A-665B766 ProLine FRT Roto-Tiller (2010)  
Label Map ProLine

Page 4 of 12

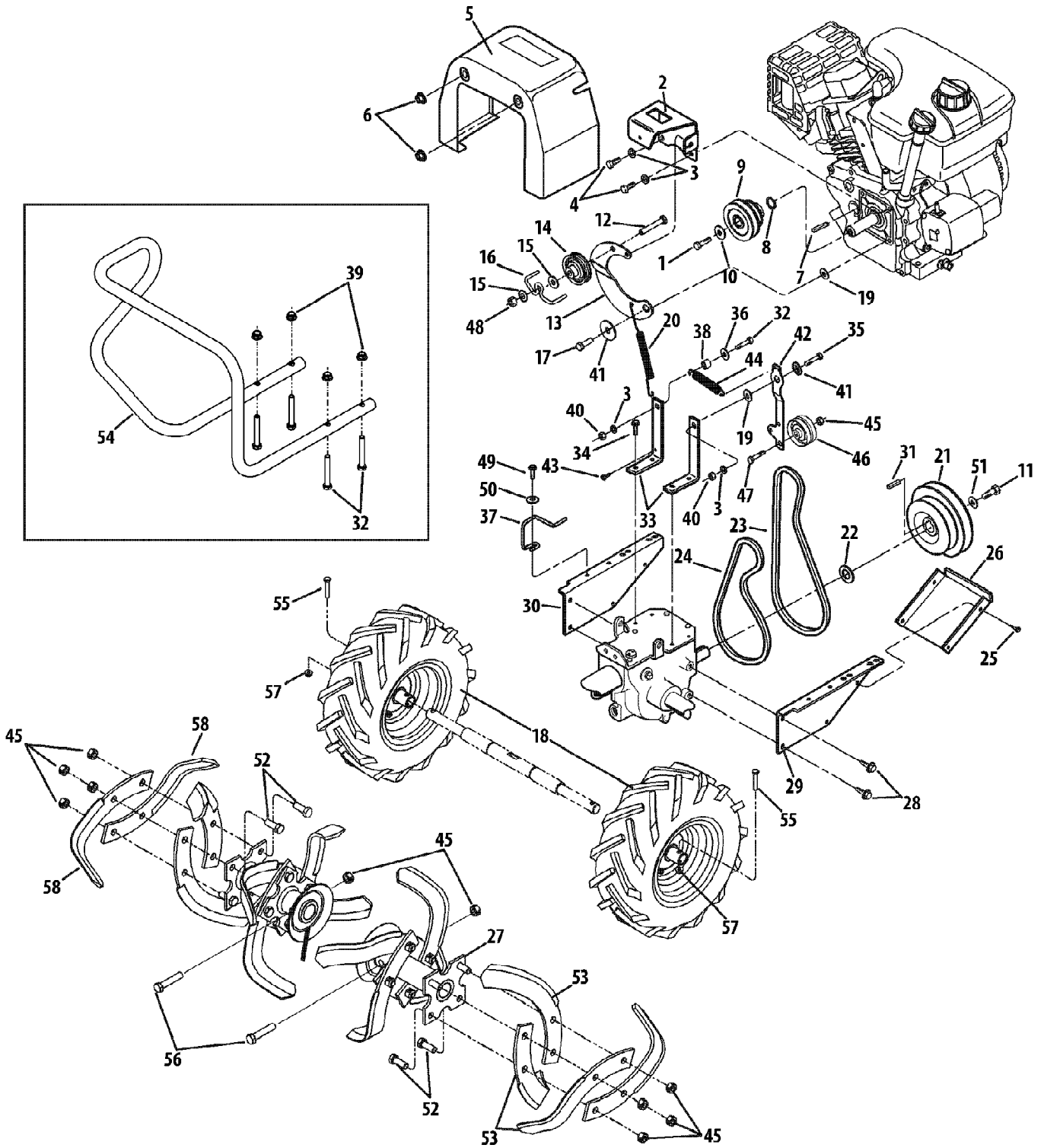
Ref #	Part Number	Qty	S/P/F	Description
777I22624	777I22624	1		LABEL:TILLER HANDLE:660
777D10810	777D10810	1		LABEL-TILLER HANDLE PANEL TROY PRO
777I20358	777I20358	1		LBL-PLACE HAND HERE
777X43688	777X43688	1		LABEL-ETHANOL
777I20940	777I20940	1		LABEL-CHECK ENGINE
777I22035	777I22035	1		LABEL-ENGINE
777S33475	777S33475	1		LABEL-TILLER TINE SHIELD WARNING



21A-665B766 ProLine FRT Roto-Tiller (2010)  
Quick Reference

Page 6 of 12

Ref #	Part Number	Qty	S/P/F	Description
	759-3336	1	/P	Spark Plug - B&S
	BS-493537S	1	/P	Pre Filter - B&S
	BS-491588S	1	/P	Air Filter - B&S
	951-3013	1	S	Fuel Filter - B&S
	BS-795221	1		Fuel Cap - B&S
	490-250-0009	1		Spark Plug- Honda
	N/A	1		Pre Filter- Honda
	17218-ZE1-507	1		Air Filter- Honda
	17672-Z4H-000	1		Fuel Filter- Honda
	17620-Z4H-010	1		Fuel Cap- Honda
	1909404	1	/P	Drive Belt - FWD
	1918812	1	/P	Drive Belt - REV
	756-04170	1	/P	Idler Pulley
	746-04027	1	S	Clutch Cable - FWD
	1916784	1	S	Clutch Cable - REV
	742-04223-0637	1	/P	Bolo Tine-single (Left)
	742-04224-0637	1	/P	Bolo Tine-single (Right)
	934-04232	1	/P	Wheel Assembly
	720-0274	1	/P	Foam Grip
	GW-9057	1	/P	Wheel Gear Control Knob
	GW-9119	1	/P	Handle Knob



21A-665B766 ProLine FRT Roto-Tiller (2010)  
Tine & Drive Assembly

Page 8 of 12

Ref #	Part Number	Qty	S/P/F	Description
1	710-0331	1	/P	Hex Screw, 3/8-24 x 2.25 Pony Models
1	710-0672	1	/P	Screw, 5/16-24 x 1.25 ProLine Models
2	786-04070-0637	1	/P	Clutch Cable Bracket
3	936-0119	1	/P	Lockwasher, 5/16
4	710-0107	1	/P	Hex Head Screw, 5/16-24 x 1/2
5	731-05290	1	/P	Cover
6	712-3004A	1	/P	Flange Lock Nut, 5/16-18
7	714-0139	1	/P	Key, 3/16-2 Pony Models
7	914-0133	1	/P	Key, 3/16 x 1.5 ProLine Models
8	736-04187	1	/P	Shim
9	619-04130	1	/P	Engine Pulley
10	936-0452	1	/P	Belle. Washer, .344 x 1.0 x .063 Pony Models
10	736-04193	1	/P	Belle. Washer .827 x .331 x .098 ProLine Models
11	710-0672	1	/P	Hex Head Screw, 5/16-24 x 1-1/8
12	710-3103	1	/P	Hex Head Screw, 5/16-18 x 2
13	786-04276	1	/P	Reverse Idler Arm
14	1916535	1	/P	Reverse Idler Pulley
15	936-0159	1	/P	Flat Washer, 5/16
16	732-04081	1	/P	Wire Formed Belt Guide
17	710-0888	1	/P	Hex Head Screw, 5/16-24 x 1
18	934-04232	1	/P	Wheel Assembly, 13 x 5 x 6
19	736-3078	1	/P	Flat Washer, 1-1/8
20	732-04077	1	/P	Reverse Return Spring
21	619-04123	1	/P	Transmission Pulley
22	736-04079	1	/P	Support Washer
23	1918812	1	/P	Reverse Clutch Belt
24	1909404	1	/P	Forward Clutch Belt
25	1900396	1	/P	Self-tapping Screw, #10-32 x 1/2
26	GW-20673	1	S	Belts/Pulleys Guard
27	686-04067-0638	1	/P	Tine Holder
28	710-04043	1	/P	Hex Flange Screw, 5/16-18 x 3/4
29	1916797001	1	/P	Engine Support Bracket (left side)
30	786-04067-0637	1	/P	Engine Support Bracket (right side)
31	914-0133	1	/P	Key, 3/16 x 1.50
32	710-0395	1	/P	Hex Head Screw, 5/16-18 x 2-1/4
33	1918774001	1	/P	Mounting Bar
34	710-1260A	1	/P	Hex Flange Screw, 5/16-18 x .75
35	710-0805	1	/P	Hex Head Screw, 5/16-18 x 1-1/2
36	936-0275	1	/P	Flat Washer, 5/16
37	732-04082	1	/P	Belt Guide
38	GW-55088	1	/P	Pivot Bushing
39	712-04063	1	/P	Hex Lock Nut, 5/16-18
40	912-3010	1	/P	Hex Nut, 5/16-18
41	748-04087A	1	/P	Shoulder Washer
42	786-04275	1	S	Forward Tiller Direction Idler Arm
43	1767754	1	/P	Self-tapping Screw, #10-24
44	1916727	1	/P	Spring
45	912-3000	1	/P	Hex Locknut, 5/16-18
46	756-04170	1	/P	Forward Idler Pulley
47	710-0347	1	/P	Screw, 3/8-16 x 1-3/4



21A-665B766 ProLine FRT Roto-Tiller (2010)  
Tine & Drive Assembly

Page 9 of 12

Ref #	Part Number	Qty	S/P/F	Description
48	912-0158	1	/P	Hex Lock Nut, 5/16-18
49	1754128	1	/P	Screw, 1/4-20 x 3/4
50	936-0463	1	/P	Flat Washer, 1/4
51	736-04193	1	/P	Belleville Washer, .827 x .331 x .098
52	710-0514	1	/P	Hex Head Screw, 3/8-16 x 1
53	742-04223-0637	1	/P	Bolo Tine-single (Left)
54	749-04193-0637	1	/P	Bumper
55	710-0606	1	/P	Hex Head Screw, 1/4-20 x 1.5
56	710-3096	1	/P	Hex Head Screw, 3/8-16 x 2
57	712-04064	1	/P	Flange Hex Locknut, 1/4-20
58	742-04224-0637	1	/P	Bolo Tine-single (Right)



21A-665B766 ProLine FRT Roto-Tiller (2010)  
Transmission

Page 11 of 12

Ref #	Part Number	Qty	S/P/F	Description
1	1105620	1	/P	Pipe Plug
2	916-0101	1	/P	Retaining Ring
3	1915068	1	/P	Hex Screw, 1/4-20 x .625
4	1915069	1	/P	Self-Sealing Screw, 1/4-20 x .875 Replace with new screws if removed
5	611-04002	1	/P	Eccentric Shaft
6	919-04010	1	/P	Transmission Housing
7	710-04043	1	/P	Hex Flange Screw, 5/16-18 x .750
8	GW-20896	1	/P	Tiller Shaft
9	911-04482	1	/P	Wheel Shaft
10	716-04102	1	/P	Retaining Ring
11	716-04104	1	/P	Retaining Ring
12	718-04406	1	/P	Rear Bearing Cover
13	721-04001	1	/P	Oil Seal, 1.79 x .25
14	921-04031	1	/P	Oil Seal, 1.0 x 1.499
15	921-04034	1	/P	Oil Seal, .625 x 1.0
16	921-04035	1	/P	Oil Seal, .984 x 1.75
17	921-04044	1	/P	Oil Seal, .750 x 1.25
18	736-04258	1	/P	Washer, 1.375 x 1.015 x .01 Washers are used to obtain .005 to .030 in end play on Wheel & Tine Shaft, .005 to .015 play on drive
18	736-04259	1		Washer, 1.375 x 1.015 x .015 Washers are used to obtain .005 to .030 in end play on Wheel & Tine Shaft, .005 to .015 play on drive
18	736-04260	1		Washer, 1.375 x 1.015 x .03 Washers are used to obtain .005 to .030 in end play on Wheel & Tine Shaft, .005 to .015 play on drive
18	736-04305	1	/P	Washer, 1.75 x 1.5 x .062 Washers are used to obtain .005 to .030 in end play on Wheel & Tine Shaft, .005 to .015 play on drive
18	736-04306	1	/P	Washer, 1.75 x 1.5 x .005 Washers are used to obtain .005 to .030 in end play on Wheel & Tine Shaft, .005 to .015 play on drive
18	736-04307	1	/P	Washer, 1.75 x 1.5 x .03 Washers are used to obtain .005 to .030 in end play on Wheel & Tine Shaft, .005 to .015 play on drive
18	736-04308	1	/P	Washer, 1.75 x 1.5 x .01 Washers are used to obtain .005 to .030 in end play on Wheel & Tine Shaft, .005 to .015 play on drive
18	736-04309	1	/P	Washer, 1.375 x 1.015 x .062 Washers are used to obtain .005 to .030 in end play on Wheel & Tine Shaft, .005 to .015 play on drive
19	941-04298	1	/P	Cone Bearing
20	941-04299	1	/P	Cup Bearing
21	941-04300	1	/P	Bushing, 1.25 x 1 x .005 x 1.5

21A-665B766 ProLine FRT Roto-Tiller (2010)  
Transmission

Page 12 of 12

Ref #	Part Number	Qty	S/P/F	Description
22	941-3037	1	/P	Ball Bearing
23	GW-1104	1	/P	Woodruff Key, .25 x 1.12
24	GW-1442	1	S	Pin, .375 x .72
25	GW-20694	1	/P	Transmission Cover Gasket
26	GW-20712	1	/P	Wheel Drive Clutch
27	717-04690	1	/P	Spur Gear
28	GW-20791	1	/P	Pinion Shaft
29	717-04689	1	/P	Pinion Gear
30	GW-20873	1	/P	Housing Cover
31	1916193001	1	/P	Transmission Cover
32	GW-20912	1		Drive Shaft
33	GW-20913	1	/P	Worm Gear
34	GW-20914	1	/P	Wheel Drive Gear
35	GW-9055	1	/P	Spring, .850 x .875
36	GW-9093	1	/P	Bowed Ring
37	GW-9301099	1	/P	Key, .188 x 1
38	GW-9373	1	/P	Hi-Pro Key, .25 x 1.312
39	GW-9428	1	/P	Bushing, 1.24 x .75 x .18
40	GW-9467	1	/P	Oil Plug
41	GW-9677	1	/P	Hex Screw, 5/16-18 x .38
42	GW-9935	1	/P	Washer, 1.46 x 1.016 x .062
43	GW-9953	1	/P	Washer, 1.022 x .75 x .059
	918-04359	1	/P/F	Transmission Assembly Not shown