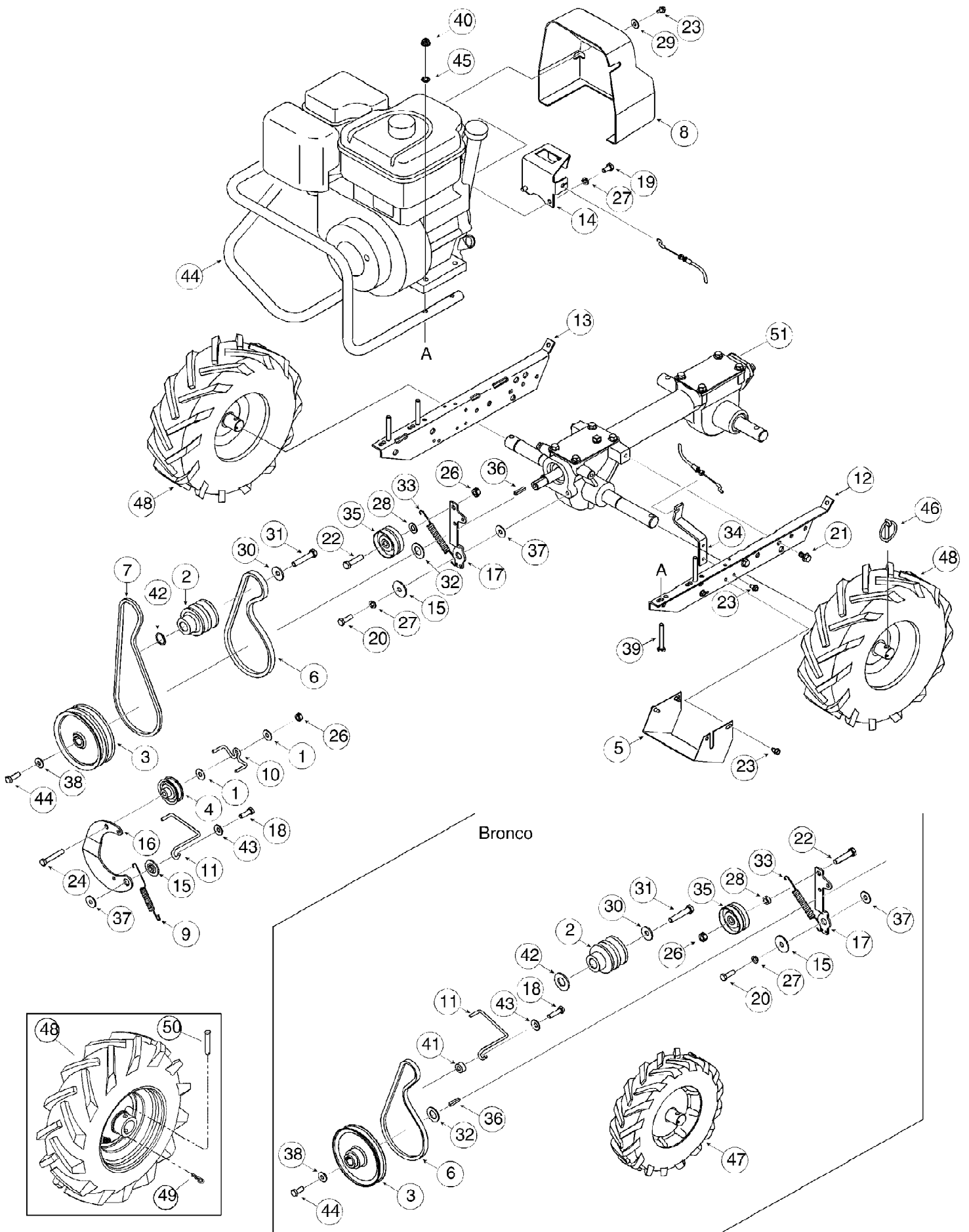


21A-645A766 5HP CRT Roto-Tiller (2007)
Drive & Wheels



21A-645A766 5HP CRT Roto-Tiller (2007)
Drive & Wheels

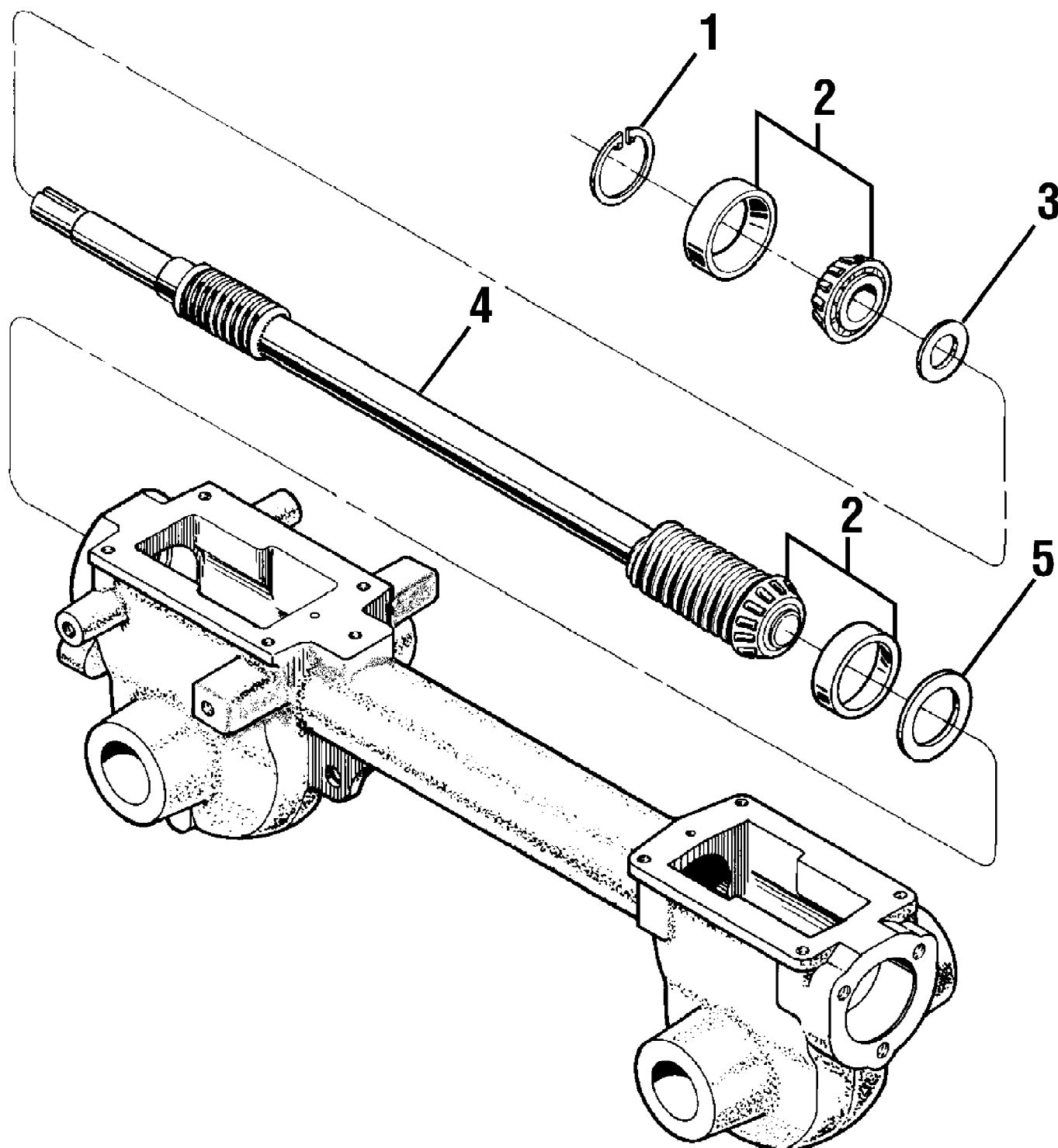
Page 2 of 16

Ref #	Part Number	Qty	S/P/F	Description
1	736-0159	1	S	Flat Washer, 5/16
2	756-04198	1	S	Pulley, Engine Drive
3	656-04023	1		Transmission Pulley Bronco Model
3	656-04005	1	S	Transmission Pulley Super Bronco and Pro-Line Models
4	756-04169	1	S	Pulley, Reverse Idler Super Bronco and Pro-Line Models
5	786-04095	1	S	Guard, Belts/Pulleys
6	754-04090	1	S	Forward Drive Belt
7	754-04091	1	S	Reverse Drive Belt Super Bronco and Pro-Line Models
8	731-05268	1	/P	Belt Cover
9	732-04289	1	S	Reverse Return Spring Super Bronco and Pro-Line Models
10	732-04081	1	/P	Belt Guide Super Bronco and Pro-Line Models
11	732-04079	1	S	Belt Guide
12	786-04068	1	/P	Engine Bracket, Left
13	786-04069	1		Engine Bracket, Right
14	786-04070	1	S	Bracket, Belt Cover
15	748-04087	1	S	Shoulder Washer
16	786-04276	1	/P	Reverse Idler Arm Super Bronco and Pro-Line Models
17	786-04275	1	S	Forward Idler Lever
18	710-0672	1	/P	Hex Hd. Screw, 5/16-24 x 1.25 Bronco Model
18	710-0117	1	S	Hex Hd. Screw, 5/16-24 x 1 Super Bronco and Pro-Line Models
19	710-0237	1	/P	Hex Hd. Screw, 5/16-24 x 5/8
20	710-0376	1	/P	Hex Hd. Screw, 5/16-18 x 1
21	710-04049	1	/P	Hex Hd. Screw, 5/16-18 x 5/8
22	710-0347	1	/P	Hex Hd. Screw, 3/8-16 x 1-3/4 Bronco Model
22	710-0520	1	/P	Hex Hd. Screw, 3/8-16 x 1.50 Super Bronco and Pro-Line Models
23	710-0599	1	/P	Screw, Self-Tapping, 1/4-20 x 1/2
24	710-3103	1	/P	Hex Hd. Screw, 5/16-18 x 2 Super Bronco and Pro-Line Models
25	712-3000	1	S	Lock Nut, 3/8-16
26	712-3009	1	S	Lock Nut, 5/16-18 Super Bronco and Pro-Line Models
27	736-0119	1	S	Lock Washer, 5/16 Bronco Model
28	750-0535	1	S	Spacer, .380 ID x .625 OD x .21 Bronco Model
28	736-3050	1	/P	Flat Washer .406 x .812 x .051 Super Bronco and Pro-Line Models
29	736-3090	1	/P	Flat Washer
30	736-0452	1	S	Bell Washer
31	710-0459A	1	/P	Hex Hd. Screw, 3/8-24 x 1.50, GR5

21A-645A766 5HP CRT Roto-Tiller (2007)
Drive & Wheels

Page 3 of 16

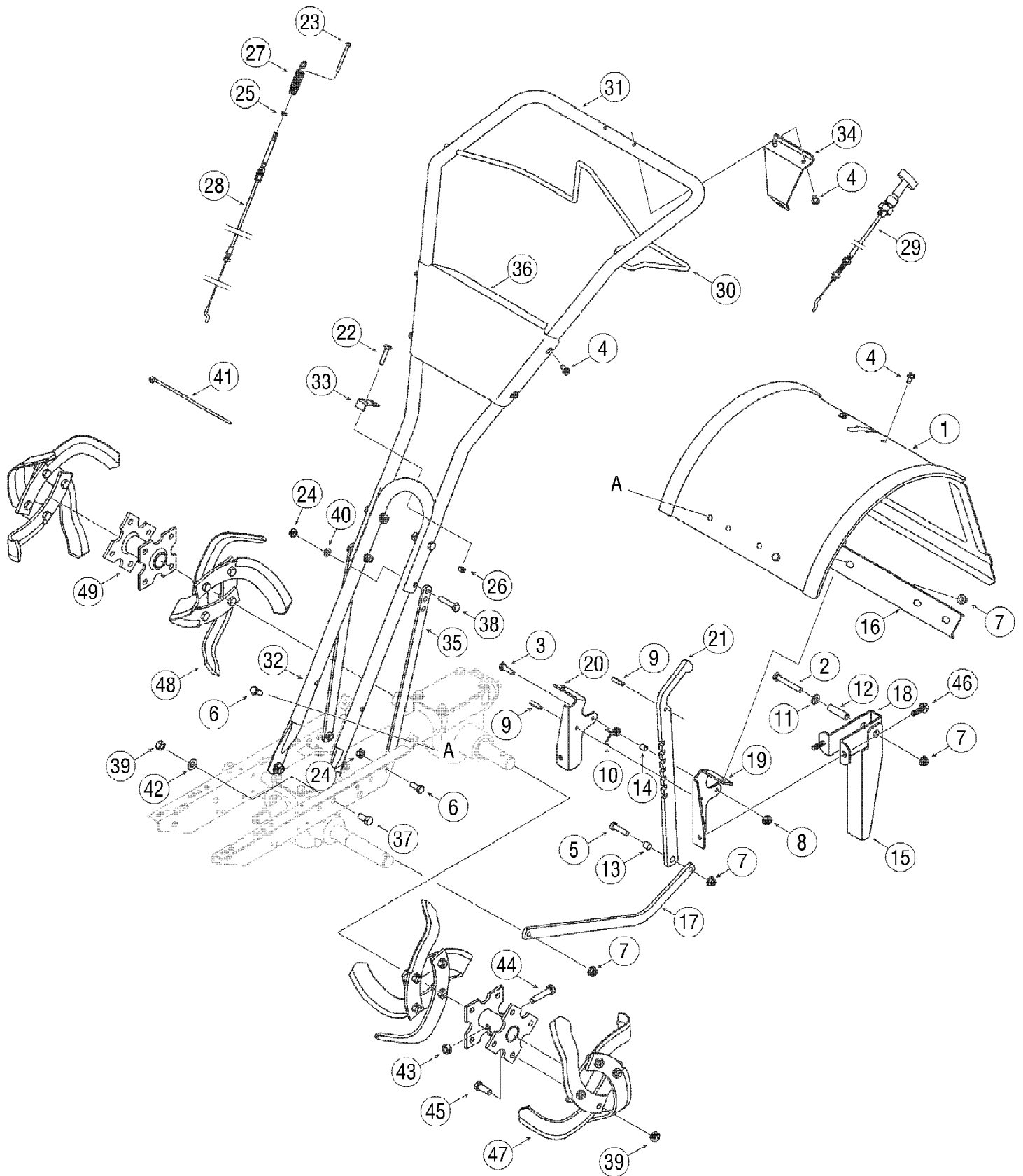
Ref #	Part Number	Qty	S/P/F	Description
32	736-04181	1	S	Support Washer
33	732-04085	1	/P	Forward Return Spring
34	786-04107	1		Bracket, Cable Mounting
35	756-04170	1	/P	Forward Idler Pulley
36	714-0105	1	S	Key, 3/16" x 1"
37	736-3078	1	/P	Flat Washer
38	736-04193	1	/P	Belleville Washer
39	710-0805	1	/P	Hex Screw, 5/16-18 x 1.50 Gr5 Super Bronco and Pro-Line Models
39	710-0395	1	/P	Hex Screw, 5/16-18 x 2-1/4, Gr5 Pro-Line Model
40	712-04063	1	/P	Nut, Hex Lock, 5/16-18
41	750-0258	1	/P	Spacer, Shoulder Bronco Model
42	736-0315	1	/P	Washer, Flat, .75 x 1.5 x .125 Bronco Model
42	736-04192	1	/P	Flat Washer .786 x 1.000 x .031 Super Bronco and Pro-Line Models
43	736-0242	1	/P	Bell Washer
44	749-04193	1	S	Bumper Pro-Line Model
45	726-0201	1		Nut, Speed, 5/16-18 Pro-Line Model
46	714-0143	1	S	Klik Pin
47	734-04188	1		Complete Wheel Assembly 10 x 2.75 Bronco Model
48	634-04232	1	S	Complete Wheel Assembly 13x 5 x 6 Super Bronco and Pro-Line Models
	634-04218	1		Rim Assembly Super Bronco and Pro-Line Models
	734-04163	1	S	Tire Super Bronco and Pro-Line Models
	734-0255	1	S	Air Valve
49	714-04048	1	/P	Cotter Pin
50	711-04126	1	/P	Clevis Pin
51	618-04360	1	S	Transmission Assembly Bronco Model
51	618-04362	1	S	Transmission Assembly Super Bronco and Pro-Line Models



21A-645A766 5HP CRT Roto-Tiller (2007)
Drive Shaft

Page 5 of 16

Ref #	Part Number	Qty	S/P/F	Description
1	GW-9517	1	S	Snap Ring
2	GW-1714	1	S	Bearing, Tapered Roller (with race)
3	GW-50043	1	S	Support Washer, Rear
4	711-04110	1	S	Drive Shaft
5	GW-1224-1	1	S	Shim, Rear Bearing Cap, .010" thick Use as required to obtain between .005" and .015" allowable end-play
5	GW-1224-2	1	S	Shim, same as above, except .030" thick Use as required to obtain between .005" and .015" allowable end-play
5	GW-1224-3	1	S	Shim, same as above, except .005" thick Use as required to obtain between .005" and .015" allowable end-play
5	GW-1224-4	1	S	Shim, same as above, except .062" thick Use as required to obtain between .005" and .015" allowable end-play
	GW-1325C	1	/P	Shim Set Incl. The following shims: two #1224-1, two #1224-2 & one #1224-4



21A-645A766 5HP CRT Roto-Tiller (2007)
General Assembly

Page 7 of 16

Ref #	Part Number	Qty	S/P/F	Description
1	686-04076	1	S	Tine Hood Assembly Bronco Model
1	686-04077	1	S	Tine Hood Assembly Super Bronco and Pro-Line Models
2	710-0395	1	/P	Hex Screw, 5/16-18 x 2.25
3	710-0597	1	/P	Hex Hd. Screw, 1/4-20 x 1
4	710-0599	1	/P	Screw, Self-Tapping, 1/4-20 x 1/2
5	710-0874	1	/P	Hex Hd. Screw, 5/16-18 x 1-1/4
6	710-3008	1	/P	Hex Hd. Screw, 5/16-18 x .75
7	712-04063	1	/P	Hex Lock Nut, Nylon, 5/16-18
8	712-04064	1	/P	Hex Lock Nut, Nylon, 1/4-20
9	715-0108	1	/P	Spirol Pin
10	732-04320	1	/P	Spring, Depth Regulator
11	736-0275	1	S	Flat Washer, 5/16
12	750-04149	1		Spacer, .462 x .328 x 1.63
13	750-04160	1	S	Bushing
14	750-04556	1		Spacer
15	786-04092	1	/P	Reverse Stop Arm
16	786-04098	1		Channel Support Bracket
17	786-04104	1	/P	Drag Bar
18	786-04191	1	S	Flap Stop Bracket
19	786-04290	1		Hood Bracket, Left Hand
20	786-04291	1		Hood Bracket, Right Hand
21	786-04292	1		Adjustable Depth Bar
22	710-0106	1	/P	Hex Hd. Screw, 1/4-20 x 1-1/4
23	710-04163	1	/P	Screw, #10-24 x 2
24	712-3009	1	S	Hex Lock Nut, 5/16-18
25	712-0121	1	S	Hex Nut, #10-24
26	712-0291	1	S	Hex Lock Nut, 1/4-20
27	732-04185	1		Spring, Forward Clutch
28	746-04208	1	S	Cable Assembly, Forward Clutch
29	746-04058	1	S	Cable Assembly, Reverse Clutch Super Bronco and Pro-Line Models
30	747-04210	1	S	Bail, Forward Clutch
31	749-04084	1	S	Upper Handlebar
32	749-04208	1	S	Lower Handlebar
33	786-04106	1		Tab, Conduit Mount
34	786-04040	1		Bracket, Reverse Clutch Cable Super Bronco and Pro-Line Models
35	786-04188	1	S	Handlebar Support
36	786-04200	1	S	Panel
37	710-0216	1	/P	Screw, Hex, 3/8-16 x 3/4
38	710-0805	1	/P	Screw, Hex, 5/16-18 x 1-1/2
39	712-3000	1	S	Hex Lock Nut, 3/8-16
40	736-0119	1	S	Lock Washer, 5/16
41	725-0157	1	/P	Cable Tie
42	736-3050	1	/P	Flat Washer, 3/8
43	712-04065	1	/P	Flange Lock Nut 3/8-16
44	710-0347	1	/P	Hex Hd. Screw, 3/8-16 x 1-3/4
45	710-0514	1	/P	Hex Hd. Screw, 3/8-16 x 1, Grade 5
46	710-04048	1	/P	Flange Screw .312-18 x 1.00
47	742-04116	1	S	Single Bolo Tine See Tine Chart
48	742-04117	1	S	Single Bolo Tine See Tine Chart

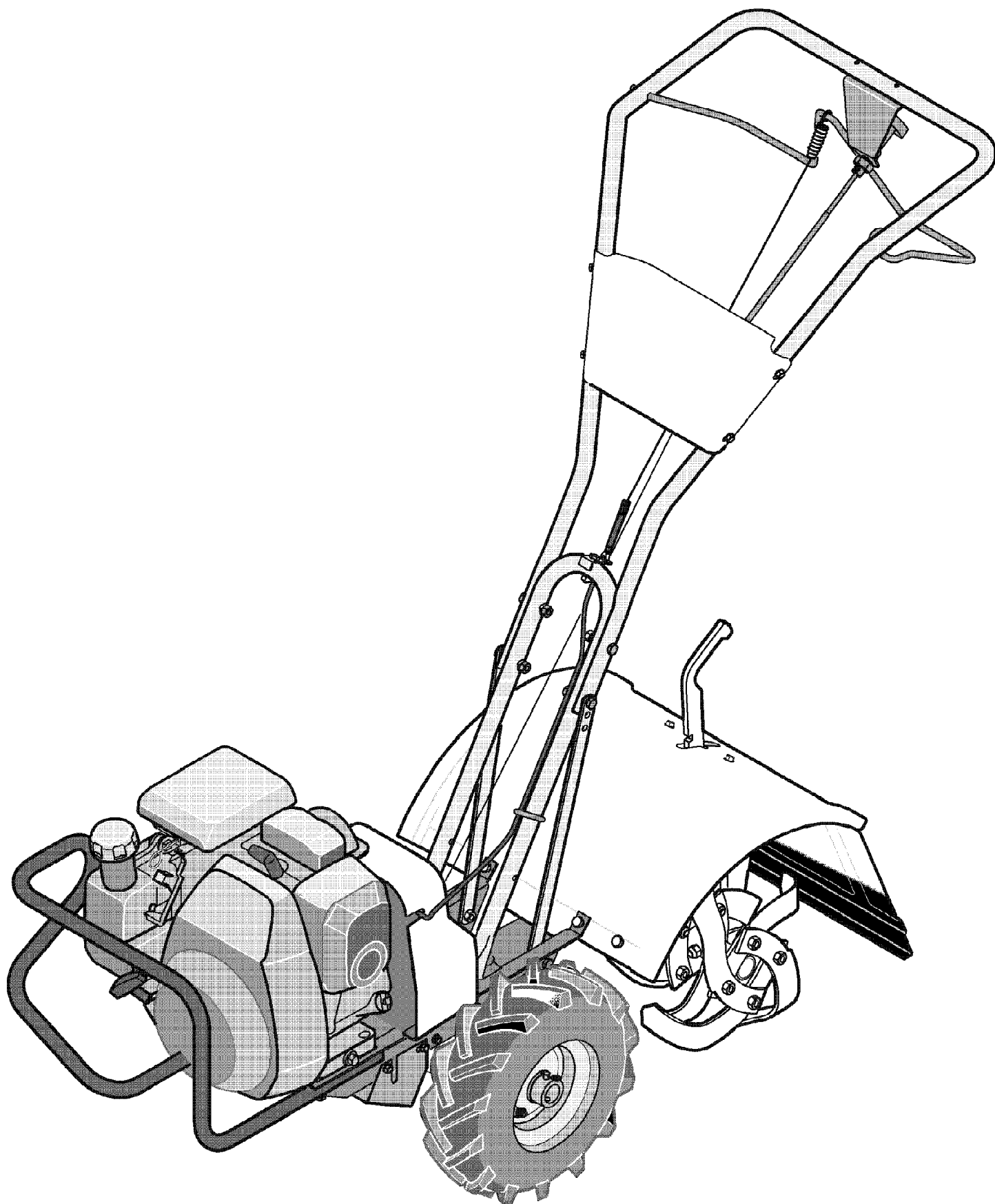
21A-645A766 5HP CRT Roto-Tiller (2007)
 General Assembly

Page 8 of 16

Ref #	Part Number	Qty	S/P/F	Description
49	686-04066	1		Tine Holder Bronco Model
49	686-04065	1	S	Tine Holder Super Bronco and Pro-Line Models
	GW-1901	1	/P	Bolo Tine Replacement Set Incl. 8 RH tines, 8 LH tines & required hardware; Bronco, Super Bronco and Pro-Line Models

21A-645A766 5HP CRT Roto-Tiller (2007)
Quick Reference 645A

Page 9 of 16

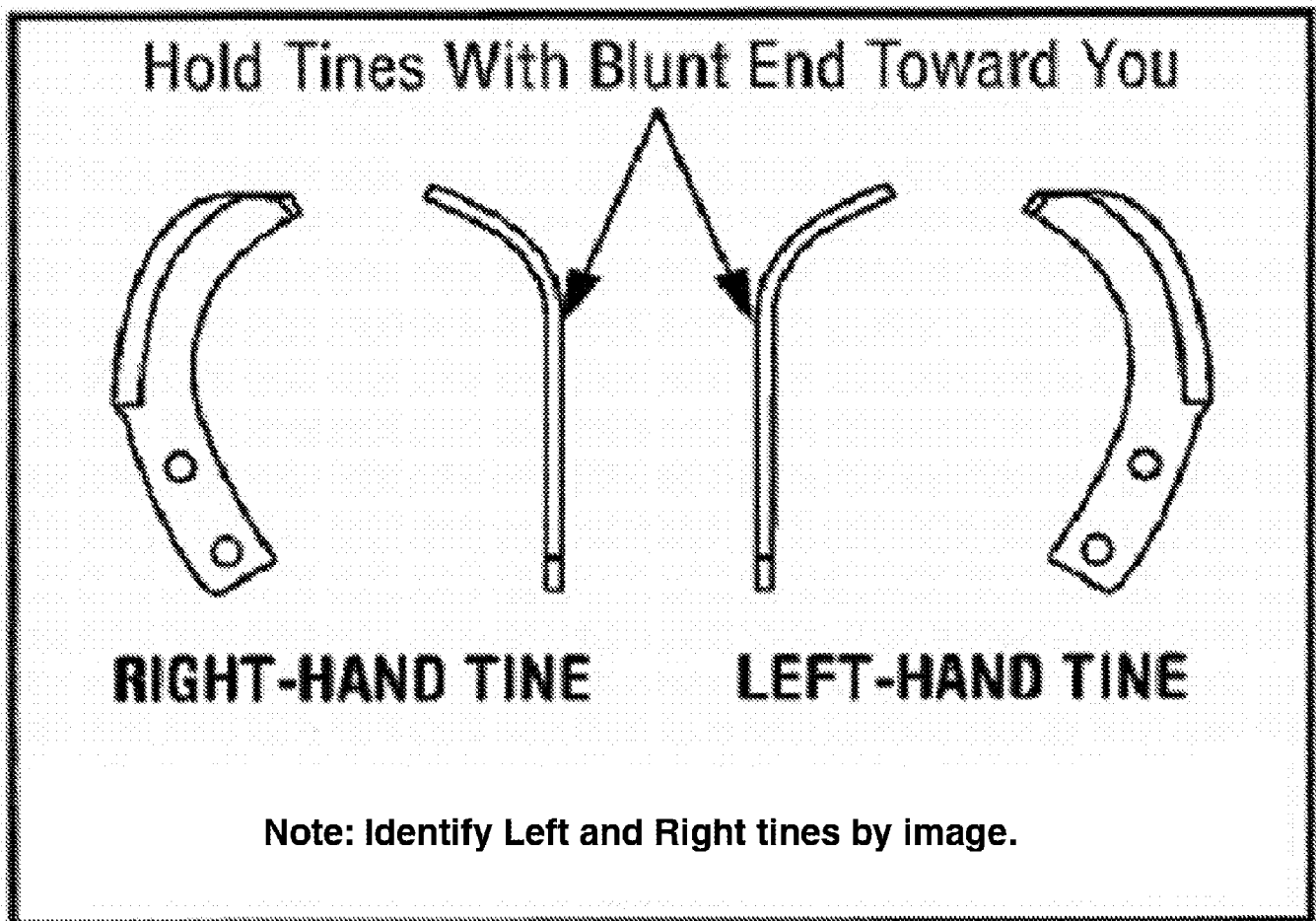


21A-645A766 5HP CRT Roto-Tiller (2007)
Quick Reference 645A

Page 10 of 16

Ref #	Part Number	Qty	S/P/F	Description
	490-250-0009	1		Spark Plug
	N/A	1		Pre Filter
	17211-ZL8-023	1		Air Filter
	16910-ZV4-015	1		Fuel Filter
	754-04090	1	S	Drive Belt (FWD)
	754-04091	1	S	Drive Belt (REV)
	756-04170	1	/P	Idler Pulley (FWD)
	756-04169	1	S	Idler Pulley (REV)
	746-04208	1	S	Clutch Cable (FWD)
	746-04058	1	S	Clutch Cable (REV)
	742-04117	1	S	Tines Outer See Tine Chart
	742-04116	1	S	Tines Outer See Tine Chart
	N/A	1		Tines Inner (LH)
	N/A	1		Tines Inner (RH)
	N/A	1		Rim
	734-04163	1	S	Tire
	634-04232	1	S	Wheel Assembly
	N/A	1		Foam Grip
	N/A	1		Handle Knob

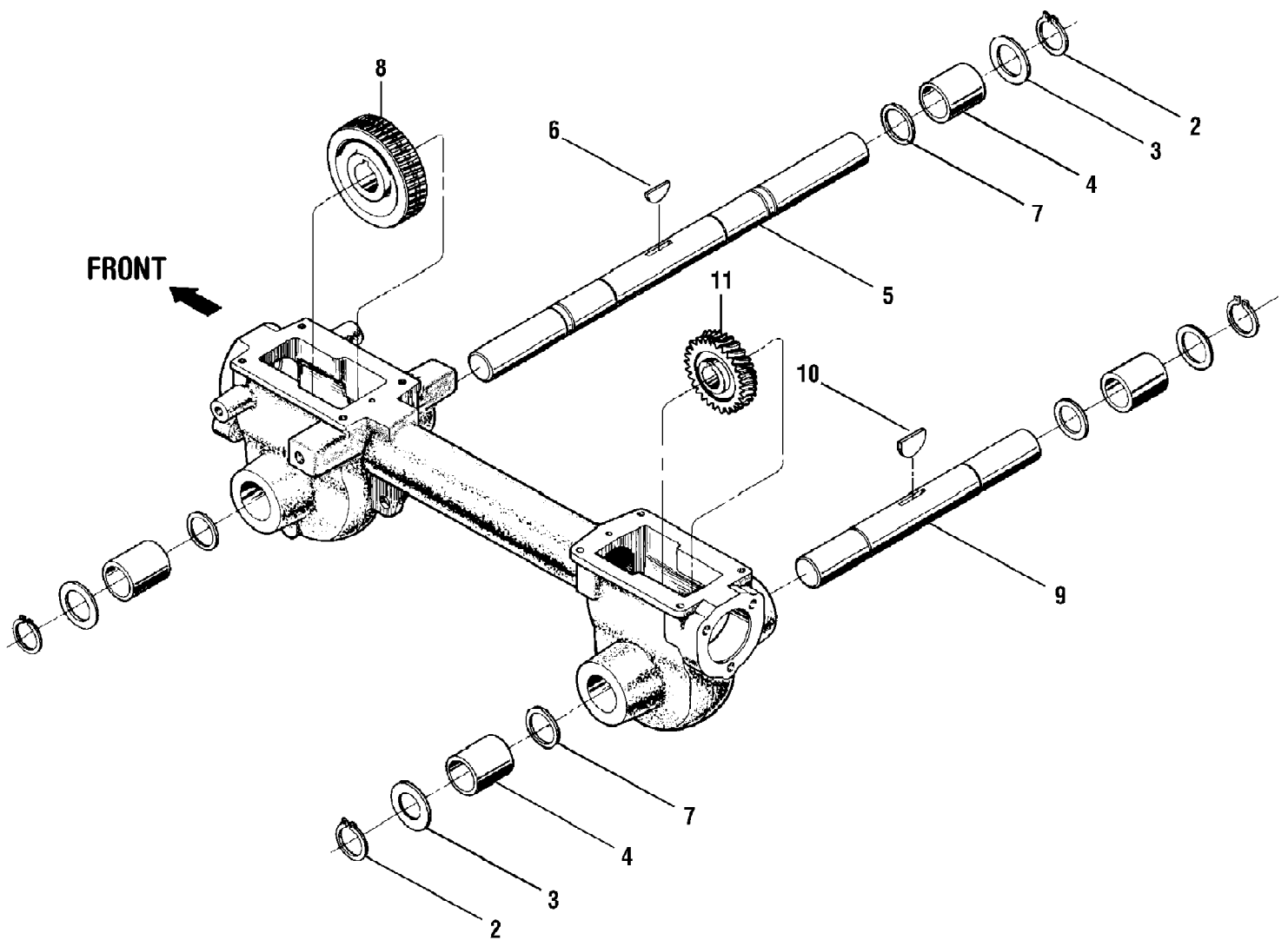
MODEL	LH Tine Part #	RH Tine Part #	Complete Set of Tines Part #
Big Red	742-04119-0637	742-04118-0637	1901118
Horse	742-04119-0637	742-04118-0637	1901118
Pony	742-04119-0637	742-04118-0637	1901118
Pro-Line	742-04117-0637	742-04116-0637	GW-1901
Bronco	742-04117-0637	742-04116-0637	GW-1901
Tuffy	742-04117-0637	742-04116-0637	GW-1901



21A-645A766 5HP CRT Roto-Tiller (2007)
Tine Chart

Page 12 of 16

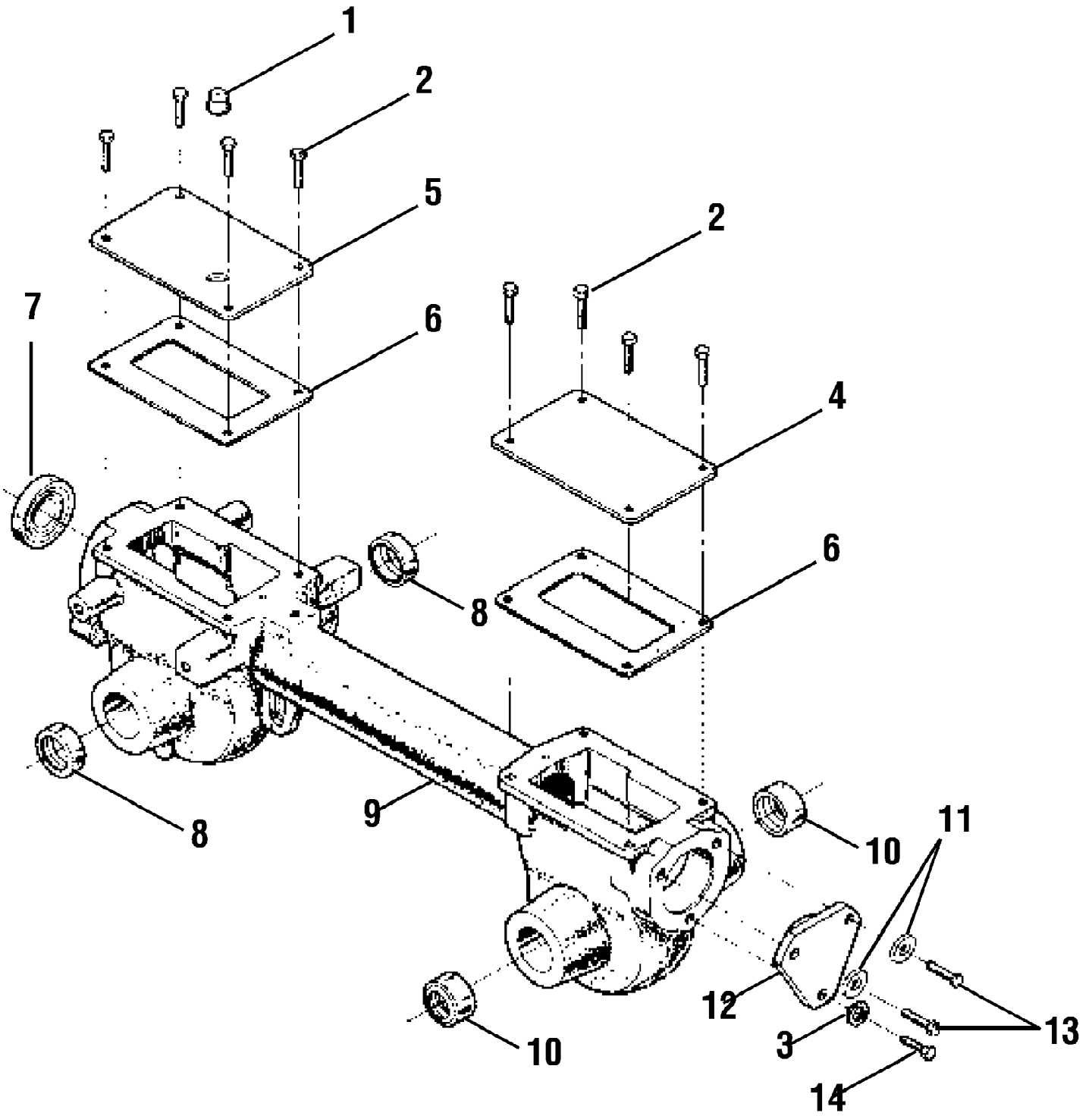
Ref #	Part Number	Qty	S/P/F	Description
	742-04116-0637	1	S	Tines
	742-04117-0637	1	S	Tines
	742-04118-0637	1	/P	Tines
	742-04119-0637	1	/P	Tines
	1901118	1	S	Set of Tines
	GW-1901	1	/P	Set of Tines



21A-645A766 5HP CRT Roto-Tiller (2007)
Transmission

Page 14 of 16

Ref #	Part Number	Qty	S/P/F	Description
2	1909950	1	S	Retainer, Snap Ring
3	GW-1166-1	1	S	Shim, 0.062" thick Use as required to obtain between .005" and .030" allowable end-play
3	GW-1166-2	1	/P	Shim, 0.030" thick Use as required to obtain between .005" and .030" allowable end-play
3	GW-1166-3	1	/P	Shim, 0.015" thick Use as required to obtain between .005" and .030" allowable end-play
3	GW-1166-4	1	S	Shim, 0.010" thick Use as required to obtain between .005" and .030" allowable end-play
3	GW-1166-5	1	S	Shim, 0.005" thick Use as required to obtain between .005" and .030" allowable end-play
4	GW-1086	1	S	Bronze Bushing
5	711-04512	1	S	Wheel Shaft Bronco Model
5	711-04092	1	S	Wheel Shaft Super Bronco Model
5	711-04486	1	S	Wheel Shaft Pro-Line Model
6	GW-9305	1	S	Key, Hi-Pro, 1/4 x 1
7	GW-1132-2	1	/P	Spacer
8	717-04380	1	S	Worm Gear, Wheel Shaft
9	711-04078	1	S	Tiller Shaft
10	GW-1104	1	/P	Woodruff Key
11	717-04381	1	S	Worm Gear, Tiller Shaft



21A-645A766 5HP CRT Roto-Tiller (2007)
Transmission Housing

Page 16 of 16

Ref #	Part Number	Qty	S/P/F	Description
1	GW-9727	1	S	Plug, Transmission Oil Fill
2	710-04049	1	/P	Hex Hd. Flange Screw, 5/16-18 x 5/8, Gr. 5
3	736-0119	1	S	Lock Washer, 5/16
4	1918377	1	S	Rear Cover, Transmission
5	1916641	1	S	Front Cover, Transmission
6	GW-50032	1	S	Gasket, Housing Cover
7	721-04030	1	S	Oil Seal, Drive Shaft
8	721-04031	1	S	Oil Seal, Wheel Shaft
9	619-04013	1	S	Transmission Housing Assembly
10	721-04036	1	S	Oil Seal, Tine Shaft
11	736-3008	1	S	Washer, Flat, .344 x .750 x .120 Included with transmission when purchased as an assembly only. Remove & discard when installing the transmission on tiller.
12	718-04008	1	S	Rear Bearing Cap
13	710-04048	1	/P	Hex Hd. Flange Screw, 5/16-18 x 1
14	710-3008	1	/P	Hex Hd. Flange Screw, 5/16-18 x 3/4