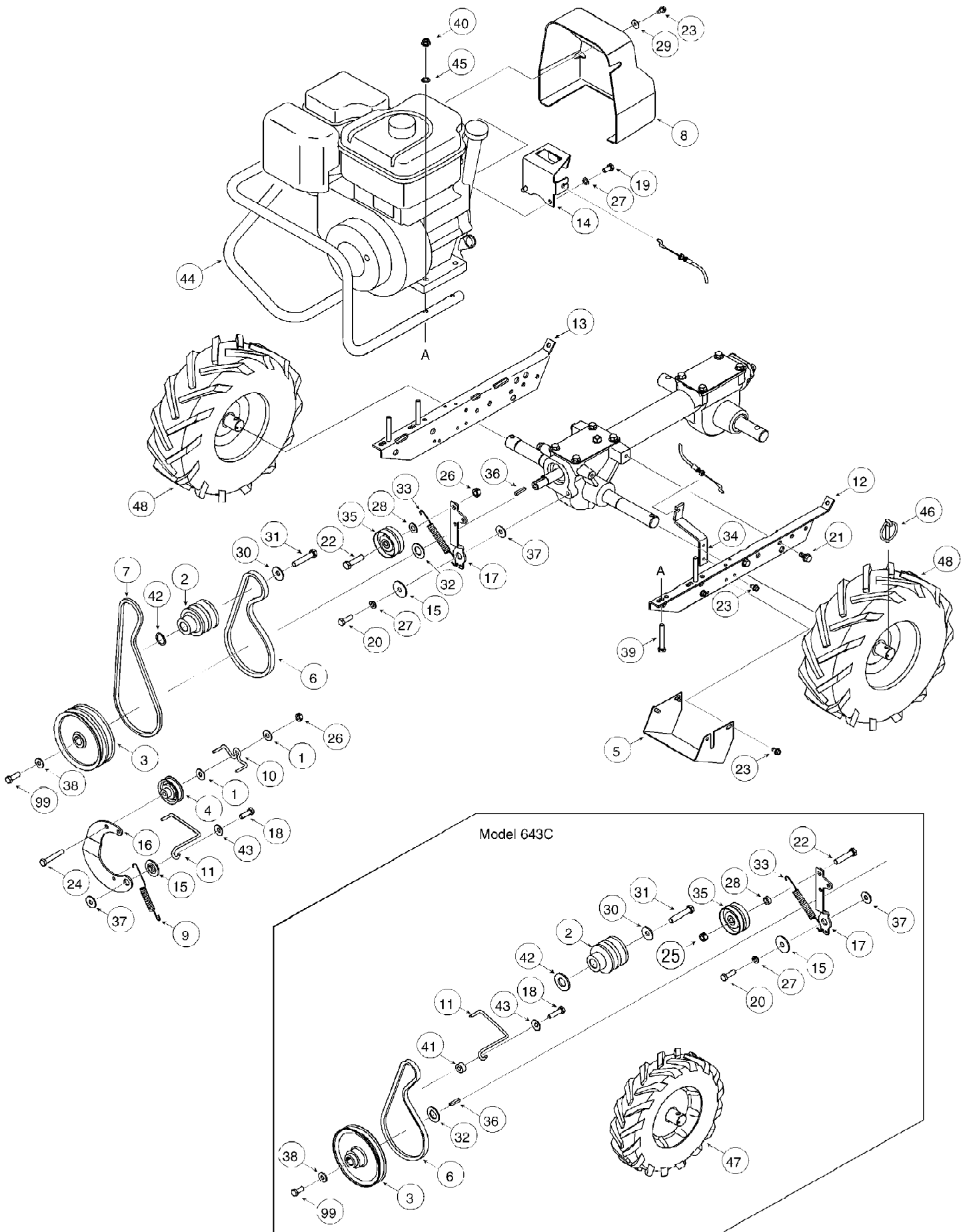


21A-645A766 5HP CRT Roto-Tiller (2006)  
Drive Assembly and Wheels



21A-645A766 5HP CRT Roto-Tiller (2006)  
Drive Assembly and Wheels

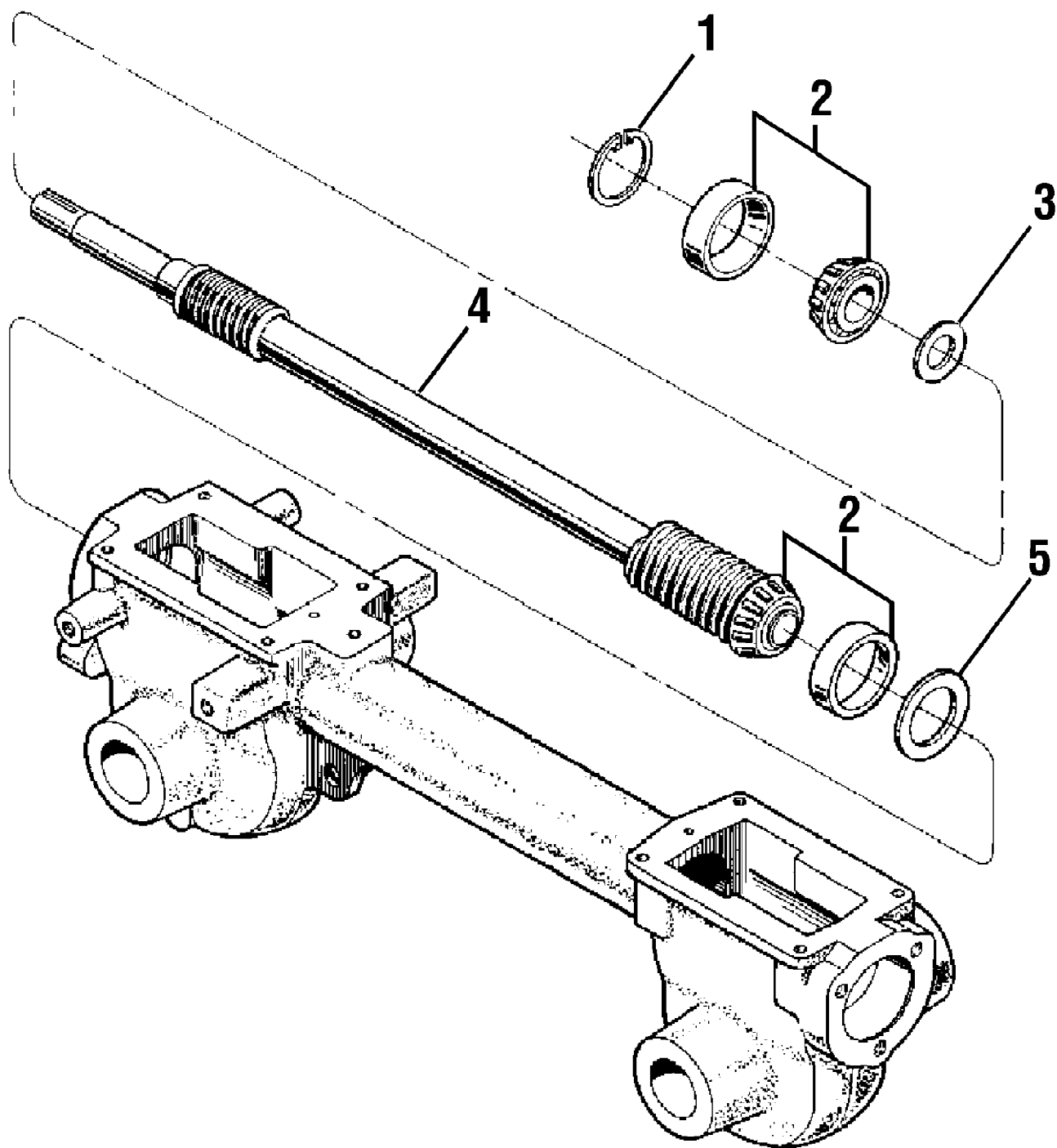
Page 2 of 16

Ref #	Part Number	Qty	S/P/F	Description
1	736-0159	1	S	Flat Washer, 5/16
2	756-04198	1	S	Pulley, Engine Drive
3	656-04023	1		Transmission Pulley (for model 643C)
3	656-04005	1	S	Transmission Pulley (for models 643B and 645A)
4	756-04169	1	S	Pulley, Reverse Idler (for models 643B and 645A)
5	786-04095	1	S	Guard, Belts/Pulleys
6	754-04090	1	S	Forward Drive Belt
7	754-04091	1	S	Reverse Drive Belt (for models 643B and 645A)
8	731-05268	1	/P	Belt Cover
9	732-04289	1	S	Reverse Return Spring (for models 643B and 645A)
10	732-04081	1	/P	Belt Guide (for models 643B and 645A)
11	732-04079	1	S	Belt Guide
12	786-04068	1	/P	Engine Bracket, Left
13	786-04069	1		Engine Bracket, Right
14	786-04070	1	S	Bracket, Belt Cover
15	748-04087	1	S	Shoulder Washer
16	786-04276	1	/P	Reverse Idler Arm (for models 643B and 645A)
17	786-04275	1	S	Forward Idler Lever
18	710-0672	1	/P	Hex Hd. Screw, 5/16-24 x 1.25 (for model 643C)
18	710-0117	1	S	Hex Hd. Screw, 5/16-24 x 1 (for models 643B and 645A)
19	710-0237	1	/P	Hex Hd. Screw, 5/16-24 x 5/8
20	710-0376	1	/P	Hex Hd. Screw, 5/16-18 x 1
21	710-04049	1	/P	Hex Hd. Screw, 5/16-18 x 5/8
22	710-0347	1	/P	Hex Hd. Screw, 3/8-16 x 1-3/4 (for model 643C)
22	710-0520	1	/P	Hex Hd. Screw, 3/8-16 x 1.50 (for models 643B and 645A)
23	710-0599	1	/P	Screw, Self-Tapping, 1/4-20 x 1/2
24	710-3103	1	/P	Hex Hd. Screw, 5/16-18 x 2 (for models 643B and 645A)
25	712-3000	1	S	Lock Nut, 3/8-16
26	912-3009	1	/P	Lock Nut, Hex Center (for models 643B and 645A)
27	736-0119	1	S	Lock Washer, 5/16 (for model 643C)
28	750-0535	1	S	Spacer, .380 ID x .625 OD x .21 (for model 643C)
28	736-3050	1	/P	Flat Washer .406 x .812 x .051 (for model 645A)
29	736-3090	1	/P	Flat Washer
30	736-0452	1	S	Bell Washer

21A-645A766 5HP CRT Roto-Tiller (2006)  
Drive Assembly and Wheels

Page 3 of 16

Ref #	Part Number	Qty	S/P/F	Description
31	710-0459A	1	/P	Hex Hd. Screw, 3/8-24 x 1.50, GR5
32	736-04181	1	S	Support Washer
33	732-04085	1	/P	Forward Return Spring
34	786-04107	1		Bracket, Cable Mounting
35	756-04170	1	/P	Forward Idler Pulley
36	714-0105	1	S	Key, 3/16" x 1"
37	736-3078	1	/P	Flat Washer
38	736-04193	1	/P	Belleville Washer
39	710-0805	1	/P	Hex Screw, 5/16-18 x 1.50 Gr5 (for models 643C and 643B)
39	710-0395	1	/P	Hex Screw, 5/16-18 x 2-1/4, Gr5 (for model 645A)
40	712-04063	1	/P	Nut, Hex Lock, 5/16-18
41	750-0258	1	/P	Spacer, Shoulder (for model 643C)
42	736-0315	1	/P	Washer, Flat, .75 x 1.5 x .125 (for model 643C)
42	736-04192	1	/P	Flat Washer .786 x 1.000 x .031 (for models 643B and 645A)
43	736-0242	1	/P	Bell Washer
44	749-04193	1	S	Bumper for models 645A)
45	726-0201	1		Nut, Speed, 5/16-18 for models 645A)
46	714-0143	1	S	Klik Pin
47	734-04188	1		Complete Wheel Assembly 10 x 2.75 (for model 643C)
48	634-04232	1	S	Complete Wheel Assembly 13 x 5 x 6 for models 643B and 645A)
48	634-04218	1		Rim Assembly (for models 643B and 645A)
48	734-0255	1	S	Air Valve (for models 643B and 645A)
48	734-04163	1	S	Tire (for models 643B and 645A)
99	710-0117	1	S	Hex Hd. Screw, 5/16-24 x 1

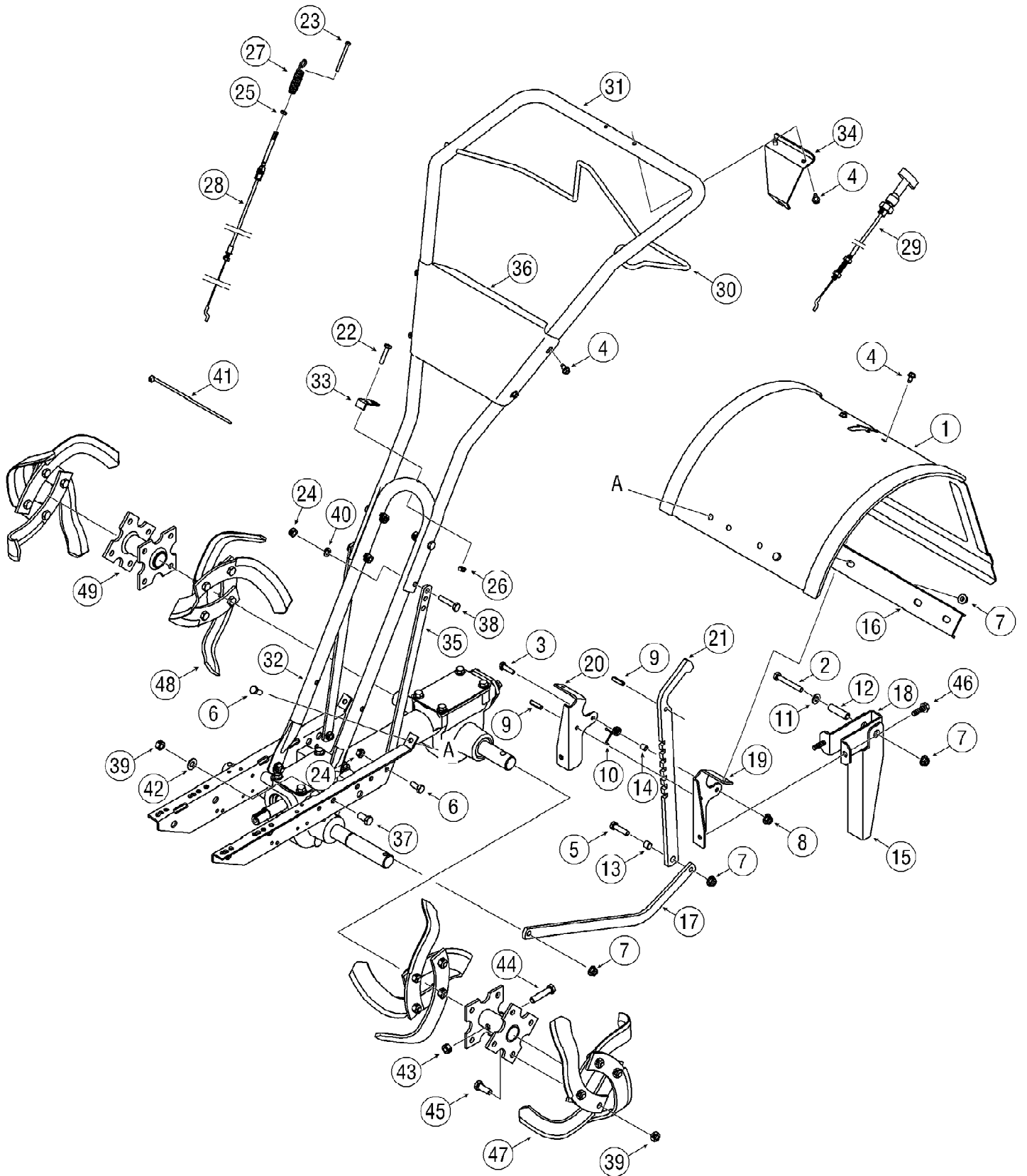


21A-645A766 5HP CRT Roto-Tiller (2006)  
Drive Shaft

Page 5 of 16

Ref #	Part Number	Qty	S/P/F	Description
1	GW-9517	1	S	Snap Ring
2	GW-1714	1	S	Bearing, Tapered Roller (with race)
3	GW-50043	1	S	Support Washer, Rear
4	711-04110	1	S	Drive Shaft
5	GW-1224-1	1	S/F	Shim, Rear Bearing Cap, .010" thick
5	GW-1224-2	1	S/F	Shim, same as above, except .030" thick
5	GW-1224-3	1	S/F	Shim, same as above, except .005" thick
5	GW-1224-4	1	S/F	Shim, same as above, except .062" thick
5	GW-1325C	1	/P/F	Shim Set

21A-645A766 5HP CRT Roto-Tiller (2006)  
Handle and Tine Assembly



21A-645A766 5HP CRT Roto-Tiller (2006)  
Handle and Tine Assembly

Page 7 of 16

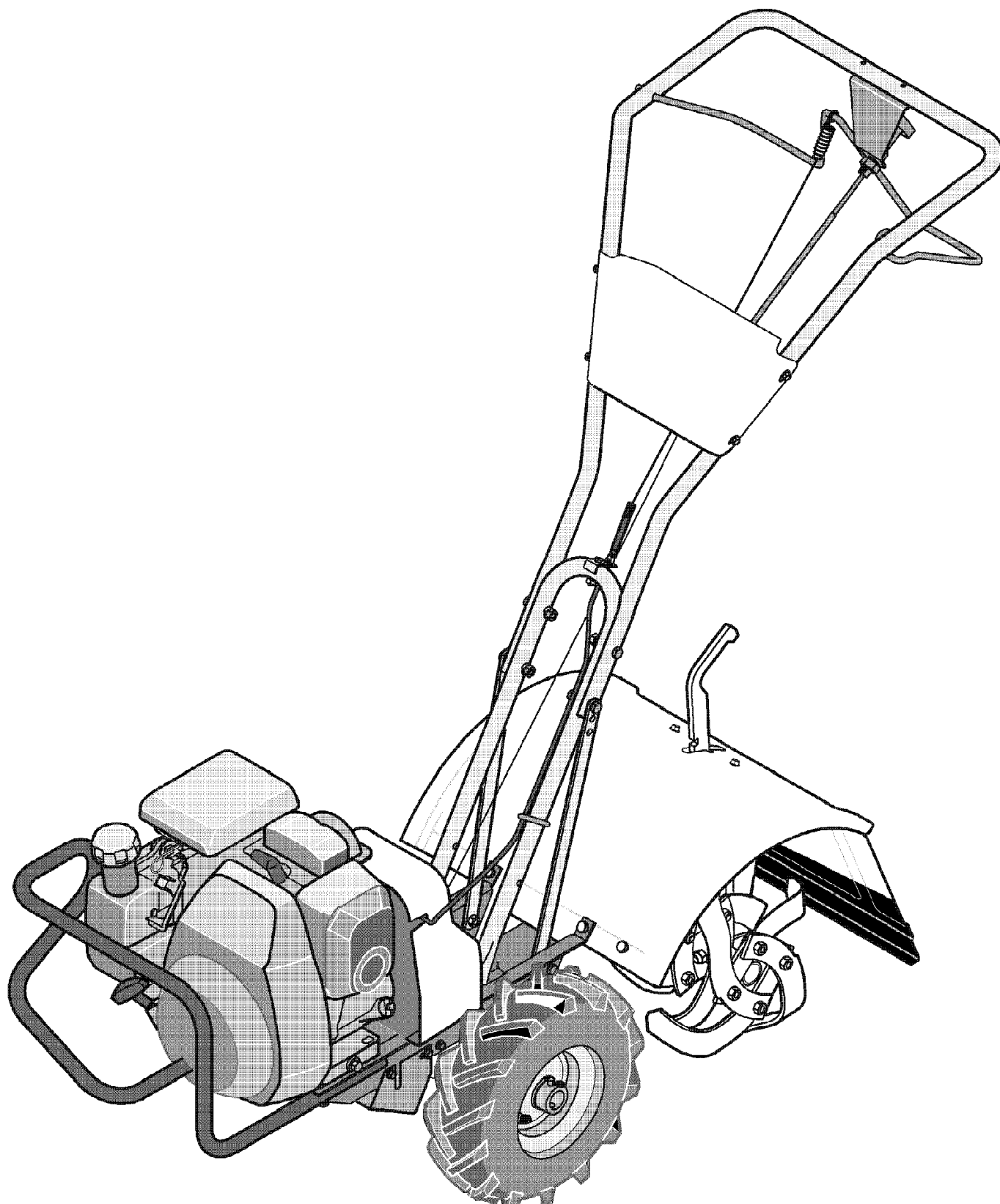
Ref #	Part Number	Qty	S/P/F	Description
1	686-04043	1	S	Tine Hood Assembly (for model 643C)
1	686-04041	1	S	Tine Hood Assembly (for models 643B & 645A)
2	710-0395	1	/P	Hex Screw, 5/16-18 x 2.25
3	710-0597	1	/P	Hex Hd. Screw, 1/4-20 x 1
4	710-0599	1	/P	Screw, Self-Tapping, 1/4-20 x 1/2
5	710-0874	1	/P	Hex Hd. Screw, 5/16-18 x 1-1/4
6	710-3008	1	/P	Hex Hd. Screw, 5/16-18 x .75
7	712-04063	1	/P	Hex Lock Nut, Nylon, 5/16-18
8	712-04064	1	/P	Hex Lock Nut, Nylon, 1/4-20
9	715-0108	1	/P	Spirol Pin
10	732-04320	1	/P	Spring, Depth Regulator
11	736-0275	1	S	Flat Washer, 5/16
12	750-04149	1		Spacer, .462 x .328 x 1.63
13	750-04160	1	S	Bushing
14	750-04556	1		Spacer
15	786-04092	1	/P	Reverse Stop Arm
16	786-04098	1		Channel Support Bracket
17	786-04104	1	/P	Drag Bar
18	786-04191	1	S	Flap Stop Bracket
19	786-04290	1		Hood Bracket, Left Hand
20	786-04291	1		Hood Bracket, Right Hand
21	786-04292	1		Adjustable Depth Bar
22	710-0106	1	/P	Hex Hd. Screw, 1/4-20 x 1-1/4
23	710-04163	1	/P	Screw, #10-24 x 2
24	712-3009	1	S	Hex Lock Nut, 5/16-18
25	712-0121	1	S	Hex Nut, #10-24
26	712-0291	1	S	Hex Lock Nut, 1/4-20
27	732-04185	1		Spring, Forward Clutch
28	746-04208	1	S	Cable Assembly, Forward Clutch
29	746-04058	1	S	Cable Assembly, Reverse Clutch (for models 643B & 645A)
30	747-04210	1	S	Bail, Forward Clutch
31	749-04084	1	S	Upper Handlebar
32	749-04208	1	S	Lower Handlebar
33	786-04106	1		Tab, Conduit Mount
34	786-04040	1		Bracket, Reverse Clutch Cable (for models 643B & 645A)
35	786-04188	1	S	Handlebar Support
36	786-04200	1	S	Panel
37	710-0216	1	/P	Screw, Hex, 3/8-16 x 3/4
38	710-0805	1	/P	Screw, Hex, 5/16-18 x 1-1/2
39	712-3000	1	S	Hex Lock Nut, 3/8-16
40	736-0119	1	S	Lock Washer, 5/16
41	725-0157	1	/P	Cable Tie
42	736-3050	1	/P	Flat Washer, 3/8
43	712-04065	1	/P	Flange Lock Nut 3/8-16
44	710-0347	1	/P	Hex Hd. Screw, 3/8-16 x 1-3/4
45	710-0514	1	/P	Hex Hd. Screw, 3/8-16 x 1, Grade 5
46	710-04048	1	/P	Flange Screw .312-18 x 1.00
47	742-04116	1	S	Single Bolo Tine See Tine Chart
48	742-04117	1	S	Single Bolo Tine See Tine Chart

21A-645A766 5HP CRT Roto-Tiller (2006)  
Handle and Tine Assembly

Page 8 of 16

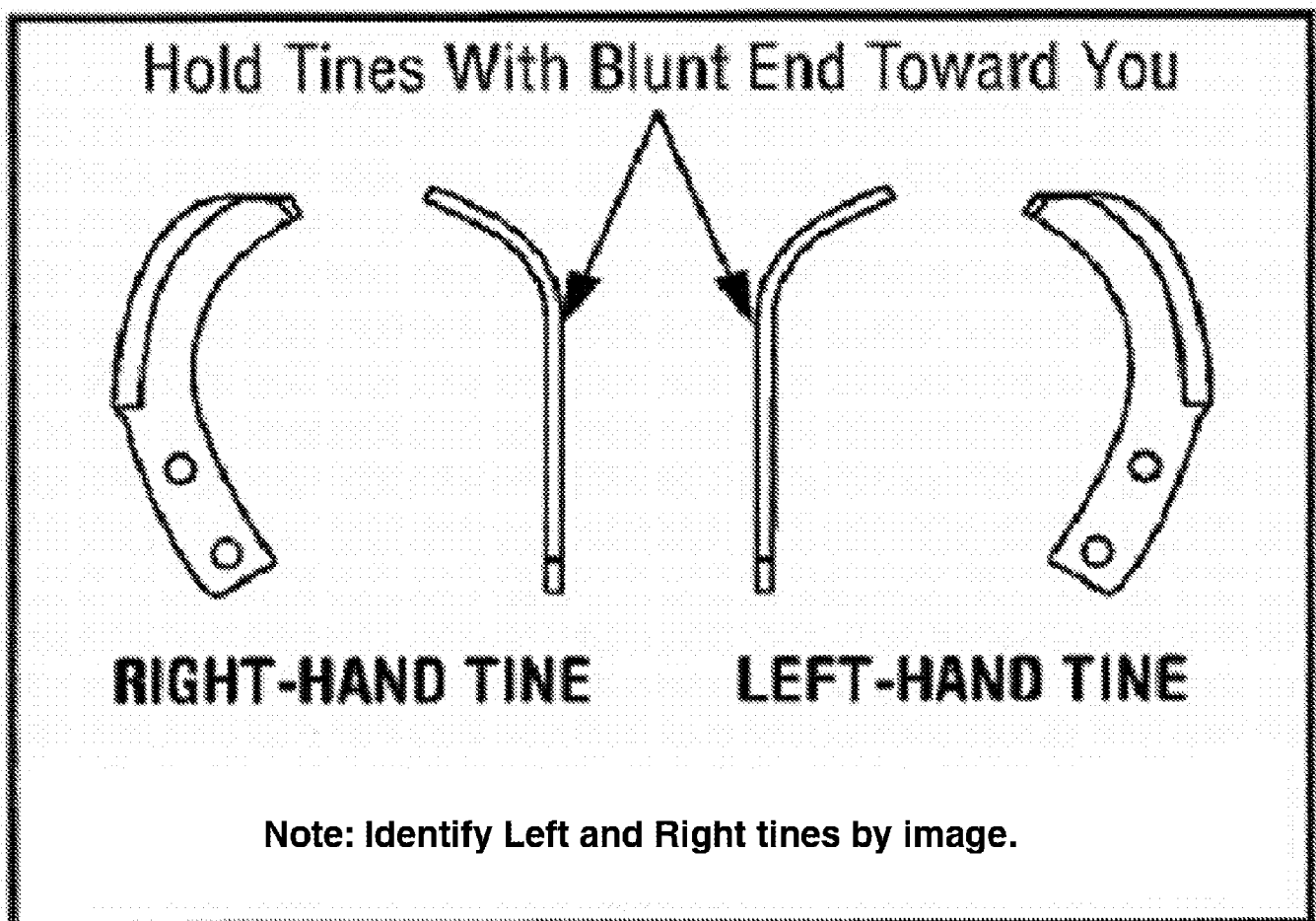
Ref #	Part Number	Qty	S/P/F	Description
49	686-04066	1		Tine Holder (for model 643C)
49	686-04065	1	S	Tine Holder (for models 643B & 645A)
	GW-1901	1	/P/F	Bolo Tine Replacement Set (for model 643C, 643B & 645A)





Ref #	Part Number	Qty	S/P/F	Description
	TC-34645	1	/P	Spark Plug Tecumseh engine
	490-250-0009	1		Spark Plug Model 645A Honda Only
	TC-36634	1	/P	Pre Filter Tecumseh engine
	TC-36046	1	/P	Air Filter Tecumseh engine
	17211-ZL8-023	1		Air Filter Model 645A Honda Only
	N/A	1		Fuel Filter
	754-04090	1	S	Drive Belt - FWD
	754-04091	1	S	Drive Belt - REV Model 643B & 645A Only
	756-04170	1	/P	Idler Pulley
	746-04208	1	S	Clutch Cable - FWD
	746-04058	1	S	Clutch Cable - REV Model 643B & 645A Only
	742-04117	1	S	Tines See Tine Chart
	742-04116	1	S	Tines See Tine Chart
	GW-1901	1	/P	Complete Tine Set Incl. All Hardware
	686-04066	1		Tine Holder Model 643C Only
	686-04065	1	S	Tine Holder Model 643B & 645A Only
	N/A	1		Rim Model 643B & 645A Only
	N/A	1		Tire
	734-04188	1		Wheel Assembly Model 643C Only
	634-04232	1	S	Wheel Assembly Model 643B & 645A Only
	N/A	1		Foam Grip
	N/A	1		Shift Control Knob
	N/A	1		Handle Knob

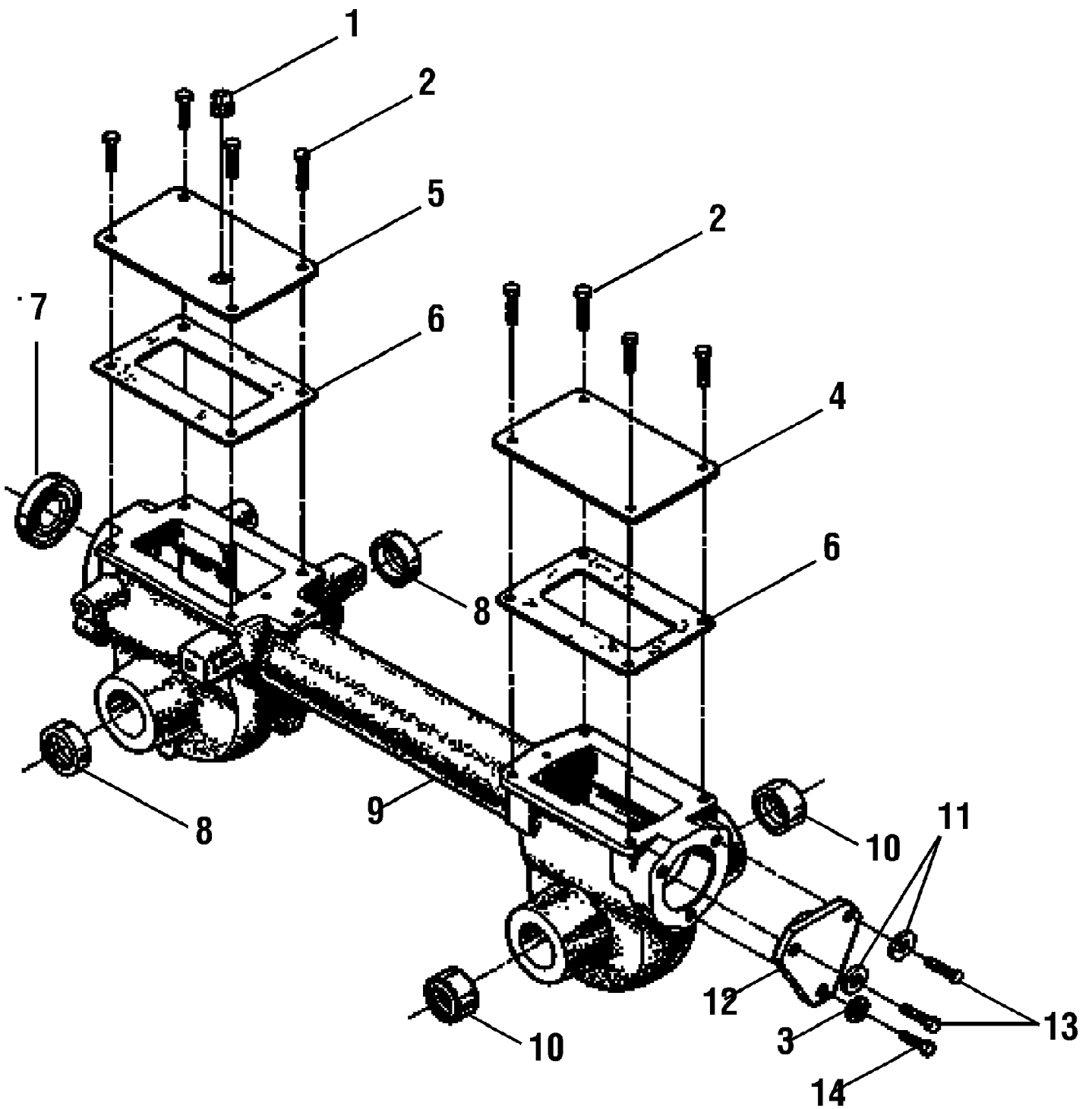
MODEL	LH Tine Part #	RH Tine Part #	Complete Set of Tines Part #
Big Red	742-04119-0637	742-04118-0637	1901118
Horse	742-04119-0637	742-04118-0637	1901118
Pony	742-04119-0637	742-04118-0637	1901118
Pro-Line	742-04117-0637	742-04116-0637	GW-1901
Bronco	742-04117-0637	742-04116-0637	GW-1901
Tuffy	742-04117-0637	742-04116-0637	GW-1901



21A-645A766 5HP CRT Roto-Tiller (2006)  
Tine Chart

Page 12 of 16

Ref #	Part Number	Qty	S/P/F	Description
	742-04116-0637	1	S	Tines
	742-04117-0637	1	S	Tines
	742-04118-0637	1	/P	Tines
	742-04119-0637	1	/P	Tines
	1901118	1	S	Set of Tines
	GW-1901	1	/P	Set of Tines

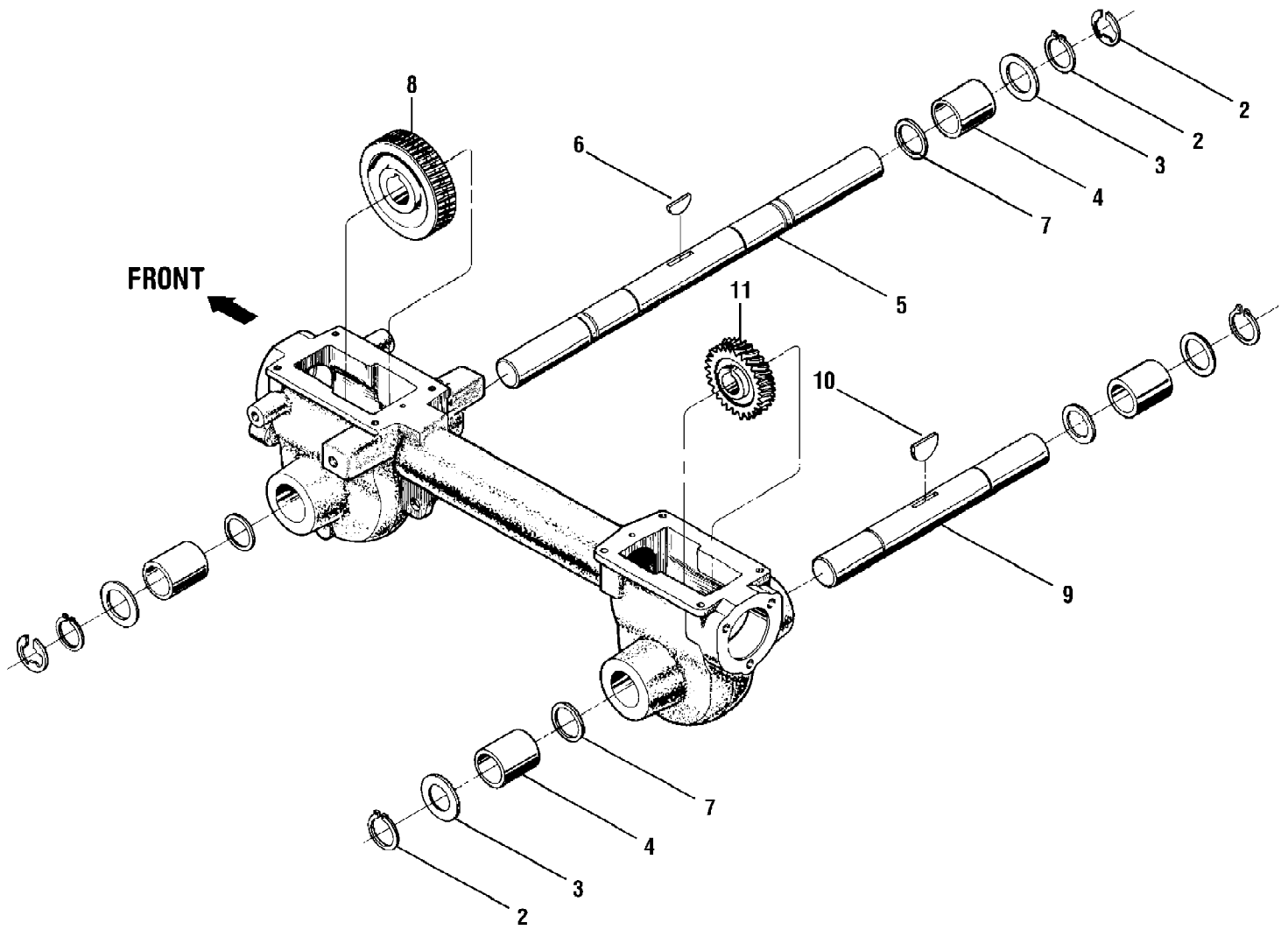


21A-645A766 5HP CRT Roto-Tiller (2006)  
Transmission Housing

Page 14 of 16

Ref #	Part Number	Qty	S/P/F	Description
1	GW-9727	1	S	Plug, Transmission Oil Fill
2	710-04049	1	/P	Hex Hd. Flange Screw, 5/16-18 x 5/8, Gr. 5
3	736-0119	1	S	Lock Washer, 5/16
4	1918377	1	S	Rear Cover, Transmission
5	1916641	1	S	Front Cover, Transmission
6	GW-50032	1	S	Gasket, Housing Cover
7	721-04030	1	S	Oil Seal, Drive Shaft
8	721-04031	1	S	Oil Seal, Wheel Shaft
9	619-04013	1	S	Transmission Housing Assembly
10	721-04036	1	S	Oil Seal, Tine Shaft
11	736-3008	1	S/F	Washer, Flat, .344 x .750 x .120
12	718-04008	1	S	Rear Bearing Cap
13	710-04048	1	/P	Hex Hd. Flange Screw, 5/16-18 x 1
14	710-3008	1	/P	Hex Hd. Flange Screw, 5/16-18 x 3/4

21A-645A766 5HP CRT Roto-Tiller (2006)  
Wheel and Tiller Shafts



21A-645A766 5HP CRT Roto-Tiller (2006)  
Wheel and Tiller Shafts

Page 16 of 16

Ref #	Part Number	Qty	S/P/F	Description
2	1909950	1	S	Retainer, Snap Ring
3	GW-1166-1	1	S/F	Shim, 0.062" thick
3	GW-1166-2	1	/P/F	Shim, 0.030" thick
3	GW-1166-3	1	/P/F	Shim, 0.015" thick
3	GW-1166-4	1	S/F	Shim, 0.010" thick
3	GW-1166-5	1	S/F	Shim, 0.005" thick
4	GW-1086	1	S	Bronze Bushing
5	711-04512	1	S	Wheel Shaft (for models 643C)
5	711-04486	1	S	Wheel Shaft (for models 643B and 645A)
6	GW-9305	1	S	Key, Hi-Pro, 1/4 x 1
7	GW-1132-2	1	/P	Spacer
8	1904278	1	S	Worm Gear, Wheel Shaft
9	711-04078	1	S	Tiller Shaft
10	GW-1104	1	/P	Woodruff Key
11	1916542	1	S	Worm Gear, Tiller Shaft