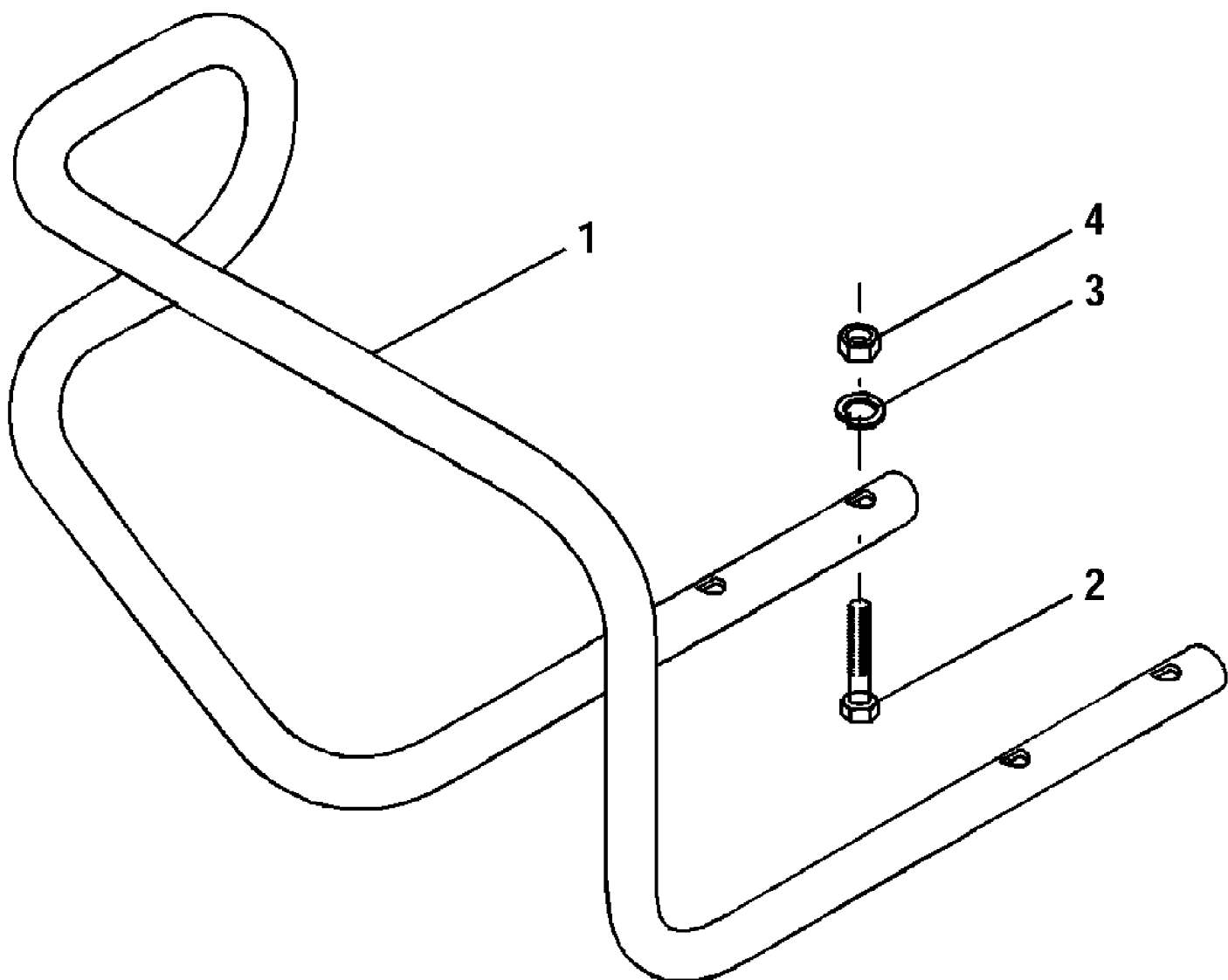


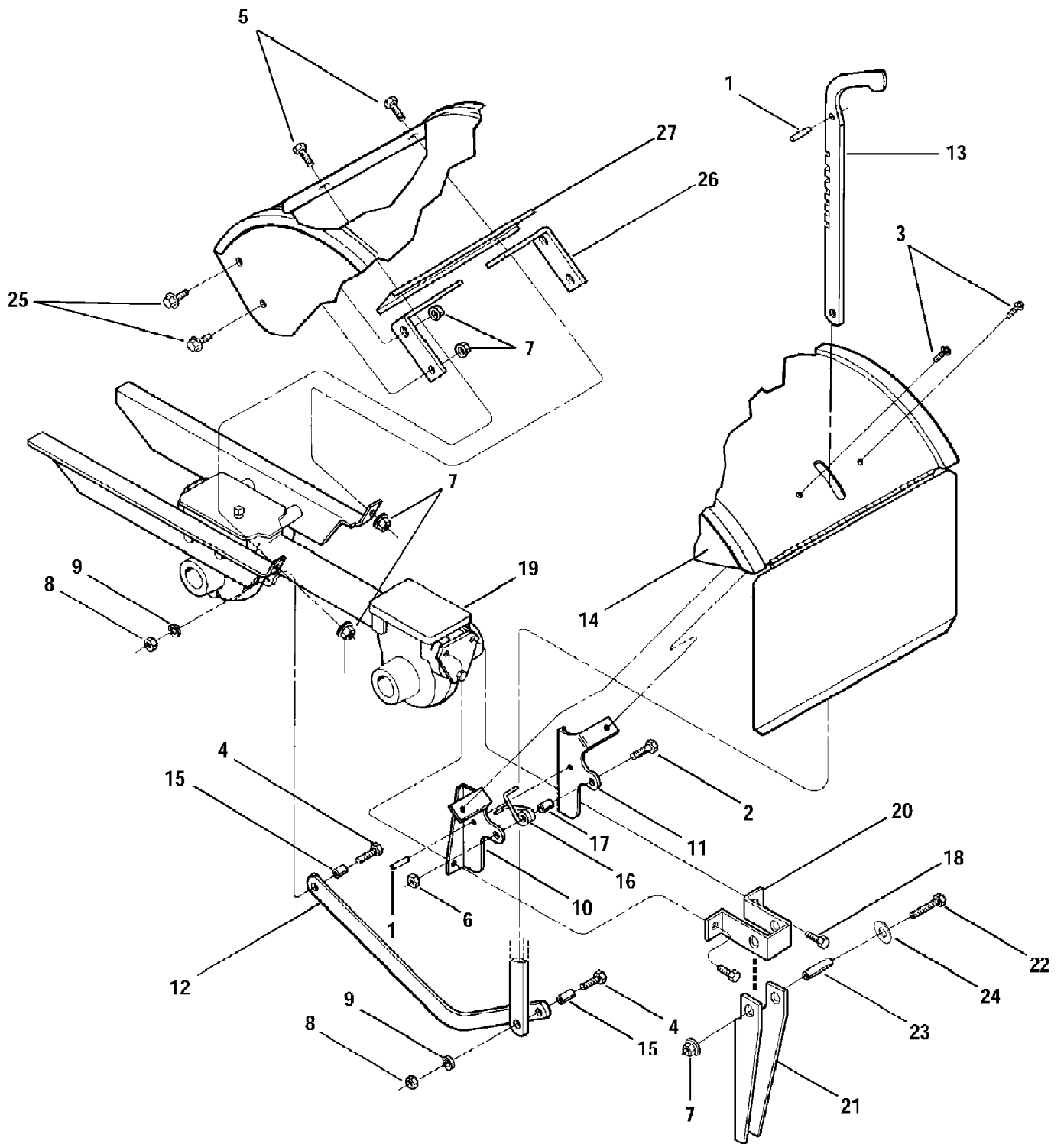
21A-644H766 6.75HP Roto-Tiller (2004)
Bumper



21A-644H766 6.75HP Roto-Tiller (2004)
Bumper

Page 2 of 16

| Ref # | Part Number | Qty | S/P/F | Description |
|-------|-------------|-----|-------|---------------------------------|
| 1 | 1918749 | 1 | | Bumper |
| 2 | 710-0395 | 1 | /P | Hex Screw, 5/16-18 x 2-1/4, Gr5 |
| 3 | 712-0267 | 1 | S | Nut, Hex, 5/16-18 |
| 4 | 736-0119 | 1 | S | Lock Washer, 5/16 |

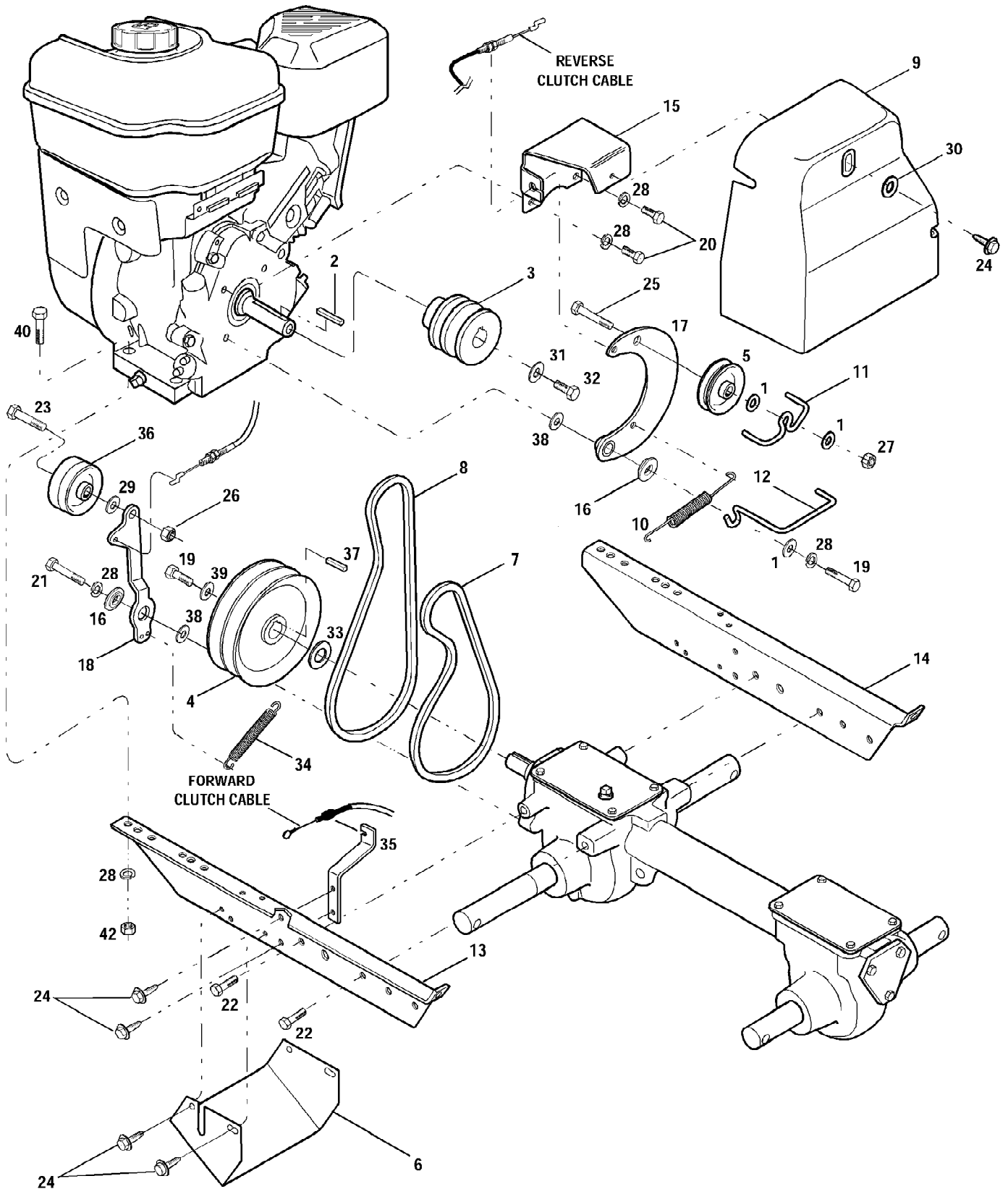


21A-644H766 6.75HP Roto-Tiller (2004)
Drag Bar

Page 4 of 16

| Ref # | Part Number | Qty | S/P/F | Description |
|-------|-------------|-----|-------|-----------------------------------|
| 1 | 1185469 | 1 | S | Spirol Pin |
| 2 | 710-0597 | 1 | /P | Hex Hd. Screw, 1/4-20 x 1 |
| 3 | 710-0599 | 1 | /P | Screw, Self-Tapping, 1/4-20 x 1/2 |
| 4 | 710-0874 | 1 | /P | Hex Hd. Screw, 5/16-18 x 1-1/4 |
| 5 | 1186331 | 1 | S | Hex Hd. Screw, 5/16-18 x 1.0 |
| 6 | 712-0291 | 1 | S | Hex Lock Nut, 1/4-20 |
| 7 | 712-3004A | 1 | /P | Hex Flange Lock Nut, 5/16-18 |
| 8 | 712-3009 | 1 | S | Hex Nut, 5/16-18 |
| 9 | 736-0119 | 1 | S | Lock Washer, 5/16 |
| 10 | 1916120001 | 1 | S | Hood Bracket, Left Hand |
| 11 | 1916119001 | 1 | S | Hood Bracket, Right Hand |
| 12 | 1916121001 | 1 | S | Drag Bar |
| 13 | GW-55018 | 1 | S | Depth Regulator Lever |
| 14 | 686-04029 | 1 | S | Tine Hood Assembly |
| 15 | GW-55088 | 1 | /P | Bushing |
| 16 | GW-9384 | 1 | S | Spring, Depth Regulator |
| 17 | GW-9534 | 1 | /P | Spacer |
| 18 | 710-04048 | 1 | /P | Hex Hd. Flange Screw, 5/16-18 x 1 |
| 19 | 618-04046 | 1 | S | Transmission Assembly (CRT) |
| 20 | 786-04191 | 1 | S | Flap Stop Bracket |
| 21 | 1916570 | 1 | S | Reverse Stop Arm |
| 22 | 710-3073 | 1 | S | Hex Screw, 5/16-18 x 2.25 |
| 23 | 1916771 | 1 | /P | Spacer, .462 x .328 x 1.63 |
| 24 | 1107382 | 1 | /P | Flat Washer, 5/16 |
| 25 | 710-3025 | 1 | /P | Hex Screw, 5/16-18 x .625 |
| 26 | 1916708 | 1 | | Hood Support Bracket |
| 27 | 1916707 | 1 | S | Channel Support Bracket |

21A-644H766 6.75HP Roto-Tiller (2004)
Drive

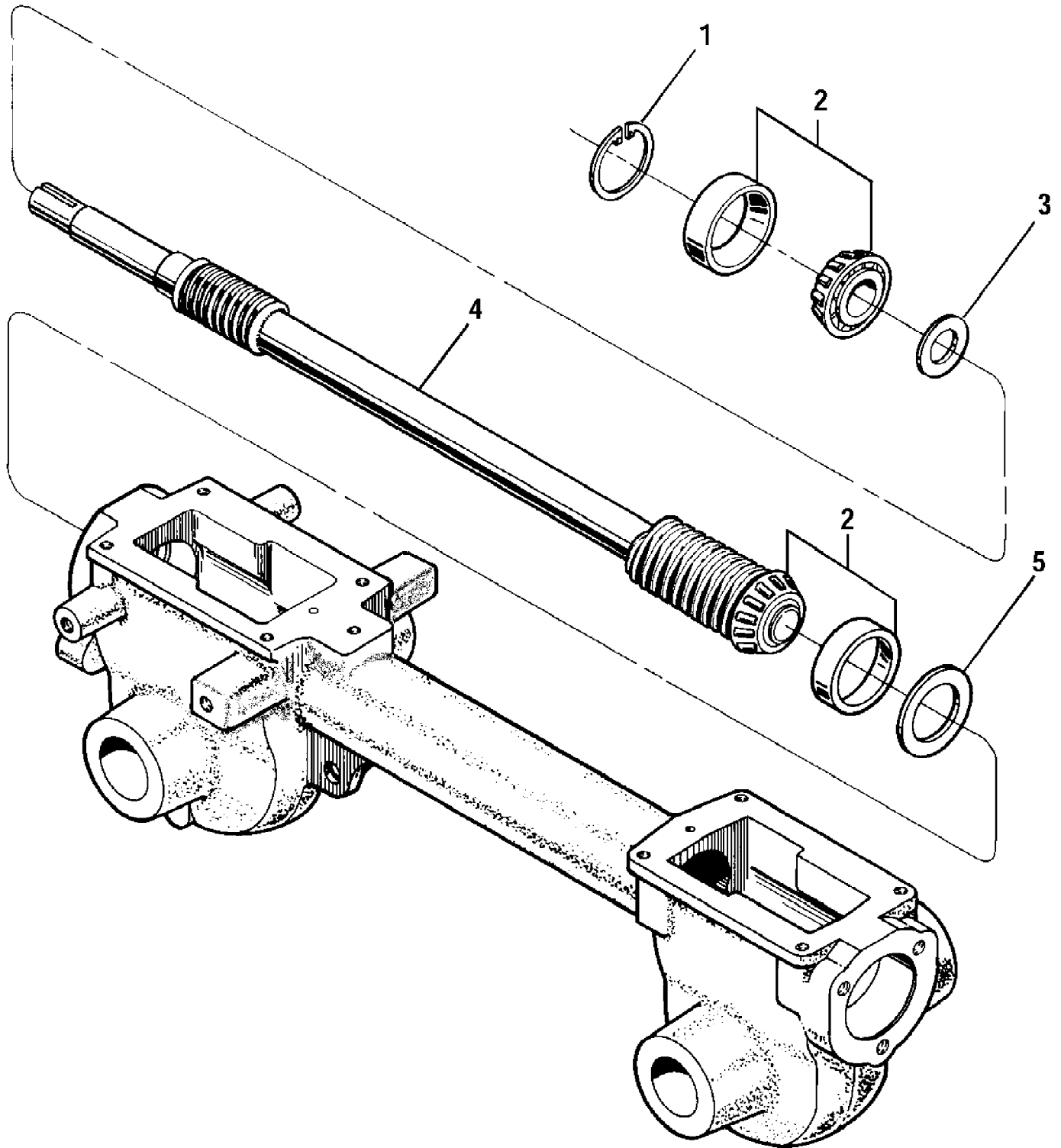


21A-644H766 6.75HP Roto-Tiller (2004)
Drive

Page 6 of 16

| Ref # | Part Number | Qty | S/P/F | Description |
|-------|-------------|-----|-------|-----------------------------------|
| 1 | 736-0159 | 1 | S | Flat Washer, 5/16 |
| 2 | 1108841 | 1 | S | Key, 3/16" x 1-1/2" |
| 3 | 619-04016 | 1 | S | Pulley, Engine Drive |
| 4 | 1916532 | 1 | S | Transmission Pulley |
| 5 | 1916535 | 1 | /P | Pulley, Reverse Idler |
| 6 | 1916652 | 1 | S | Guard, Belts/Pulleys |
| 7 | 1916657 | 1 | /P | Forward Drive Belt |
| 8 | 1916658 | 1 | /P | Reverse Drive Belt |
| 9 | 1916660 | 1 | S | Belt Cover |
| 10 | 1916724 | 1 | /P | Reverse Return Spring |
| 11 | 1916725 | 1 | S | Belt Guide |
| 12 | 1916726 | 1 | /P | Forward Belt Guide |
| 13 | 1916794 | 1 | S | Engine Bracket, Left |
| 14 | 1916795 | 1 | S | Engine Bracket, Right |
| 15 | 1917326 | 1 | S | Bracket, Belt Cover |
| 16 | 1917746 | 1 | S | Shoulder Washer |
| 17 | 1918731 | 1 | S | Reverse Idler Arm |
| 18 | 1918744 | 1 | S | Forward Idler Lever |
| 19 | 710-0117 | 1 | S | Hex Hd. Screw, 5/16-24 x 1 |
| 20 | 710-0237 | 1 | /P | Hex Hd. Screw, 5/16-24 x 5/8 |
| 21 | 710-0376 | 1 | /P | Hex Hd. Screw, 5/16-18 x 1 |
| 22 | 710-04049 | 1 | /P | Hex Hd. Screw, 5/16-18 x 5/8 |
| 23 | 710-0520 | 1 | /P | Hex Hd. Screw, 3/8-16 x 1-1/2 |
| 24 | 710-0599 | 1 | /P | Screw, Self-Tapping, 1/4-20 x 1/2 |
| 25 | 710-3103 | 1 | /P | Hex Hd. Screw, 5/16-18 x 2 |
| 26 | 712-3000 | 1 | S | Lock Nut, 3/8-16 |
| 27 | 712-3009 | 1 | S | Lock Nut, 5/16-18 |
| 28 | 736-0119 | 1 | S | Lock Washer, 5/16 |
| 29 | 736-3050 | 1 | /P | Flat Washer, 3/8 |
| 30 | 736-3090 | 1 | /P | Flat Washer |
| 31 | 736-0452 | 1 | S | Bell Washer |
| 32 | 710-0459A | 1 | /P | Hex Hd. Screw, 3/8-24 x 1.5, GR5 |
| 33 | GW-50027 | 1 | /P | Support Washer |
| 34 | GW-55034 | 1 | S | Forward Return Spring |
| 35 | GW-55049 | 1 | | Bracket, Cable Mounting |
| 36 | GW-9090 | 1 | S | Forward Idler Pulley |
| 37 | GW-9301 | 1 | S | Key, 3/16" x 1" |
| 38 | 736-3078 | 1 | /P | Flat Washer |
| 39 | GW-9944 | 1 | S | Belleville Washer |
| 40 | 710-0395 | 1 | /P | Hex Screw, 5/16-18 x 2.25 Gr5 |

21A-644H766 6.75HP Roto-Tiller (2004)
Drive Shaft

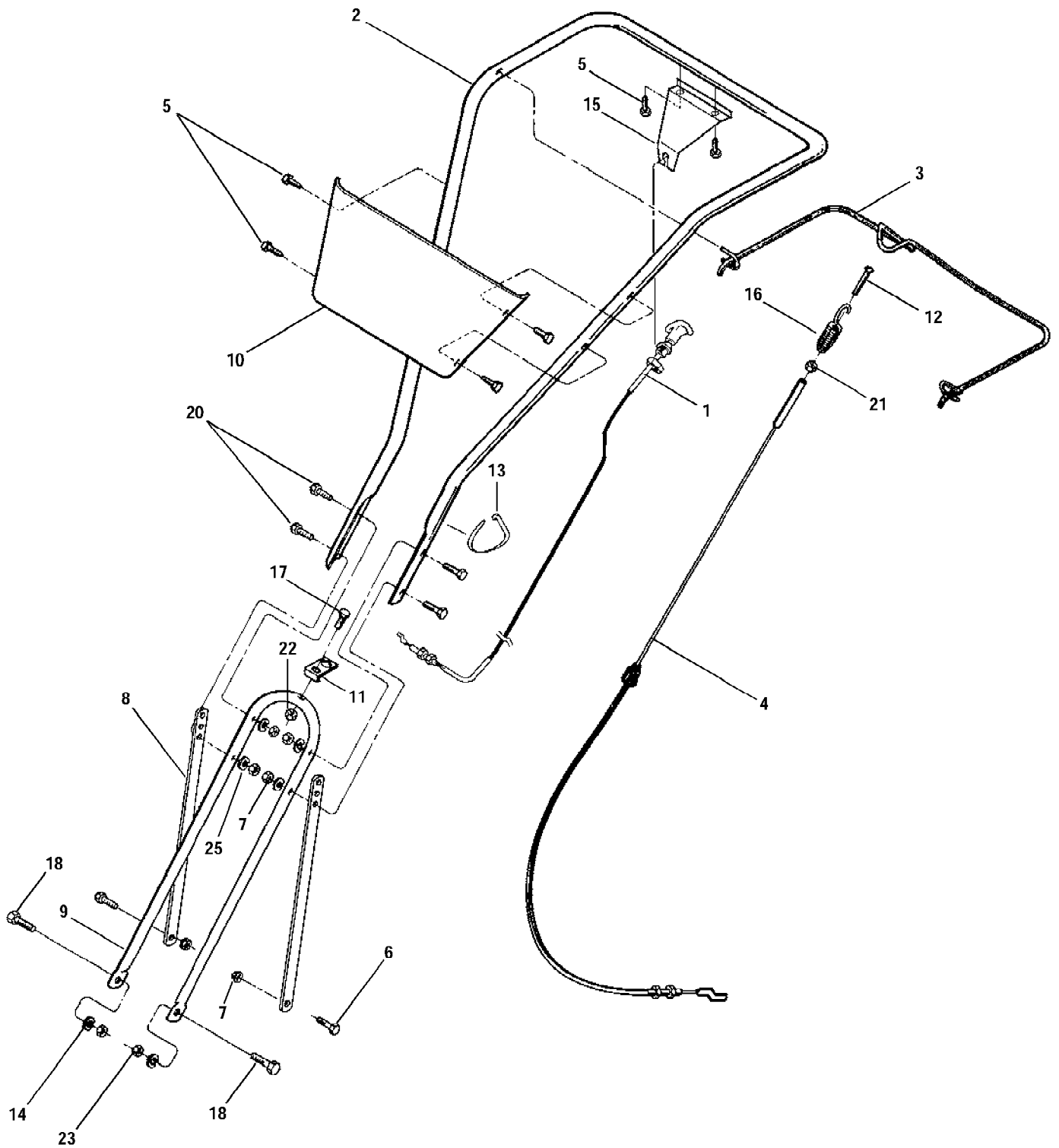


21A-644H766 6.75HP Roto-Tiller (2004)
Drive Shaft

Page 8 of 16

| Ref # | Part Number | Qty | S/P/F | Description |
|-------|-------------|-----|-------|--|
| 1 | GW-9517 | 1 | S | Snap Ring |
| 2 | GW-1714 | 1 | S | Bearing, Tapered Roller (with race) |
| 3 | GW-50043 | 1 | S | Support Washer, Rear |
| 4 | 711-04110 | 1 | S | Drive Shaft (CRT) |
| 5 | GW-1224-1 | 1 | S | Shim, Rear Bearing Cap,.010" thick Use as required to obtain between .005" and .015" allowable end-play. |
| | GW-1224-2 | 1 | S | Shim, same as above, except.030" thick Use as required to obtain between .005" and .015" allowable end-play. |
| | GW-1224-3 | 1 | S | Shim, same as above, except.005" thick Use as required to obtain between .005" and .015" allowable end-play. |
| | GW-1224-4 | 1 | S | Shim, same as above, except.062" thick Use as required to obtain between .005" and .015" allowable end-play. |
| | GW-1325C | 1 | /P | Shim Set (Incl. the following shims: two #1224-1, two 1224-2 & one #1224-4) |

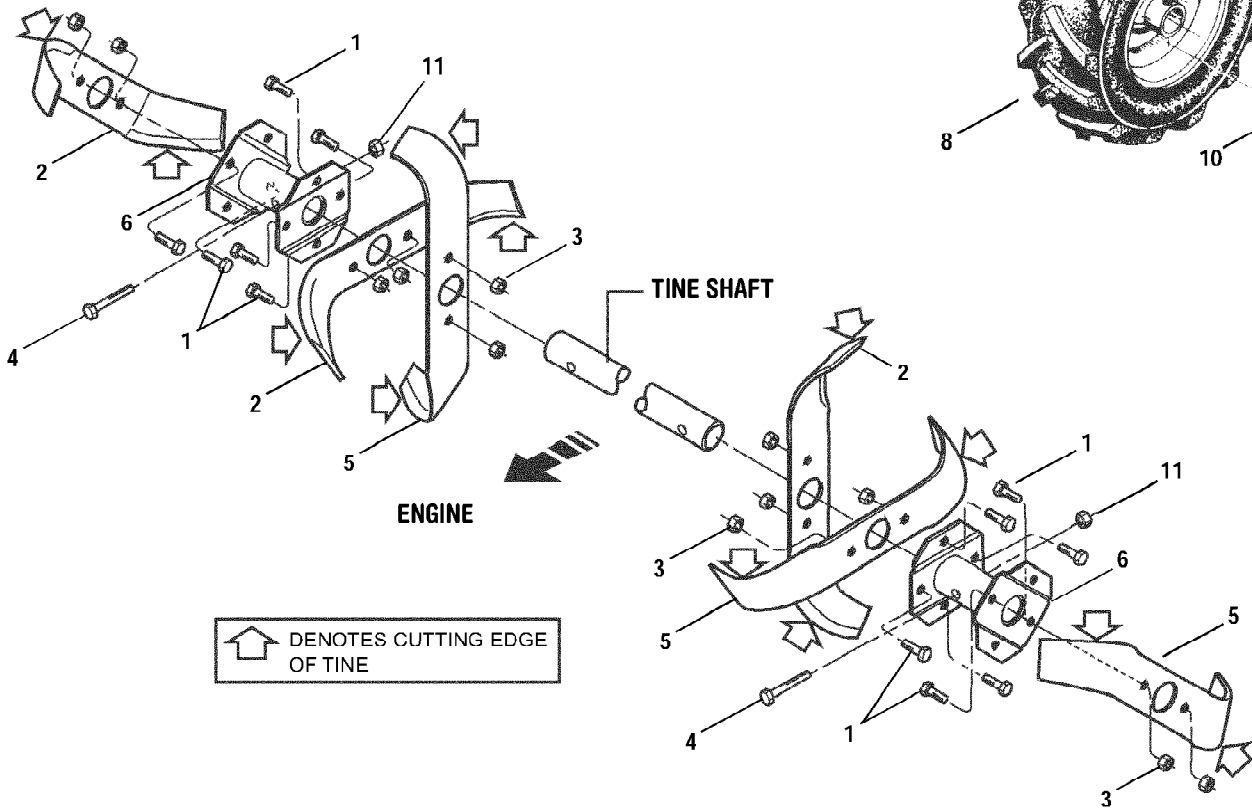
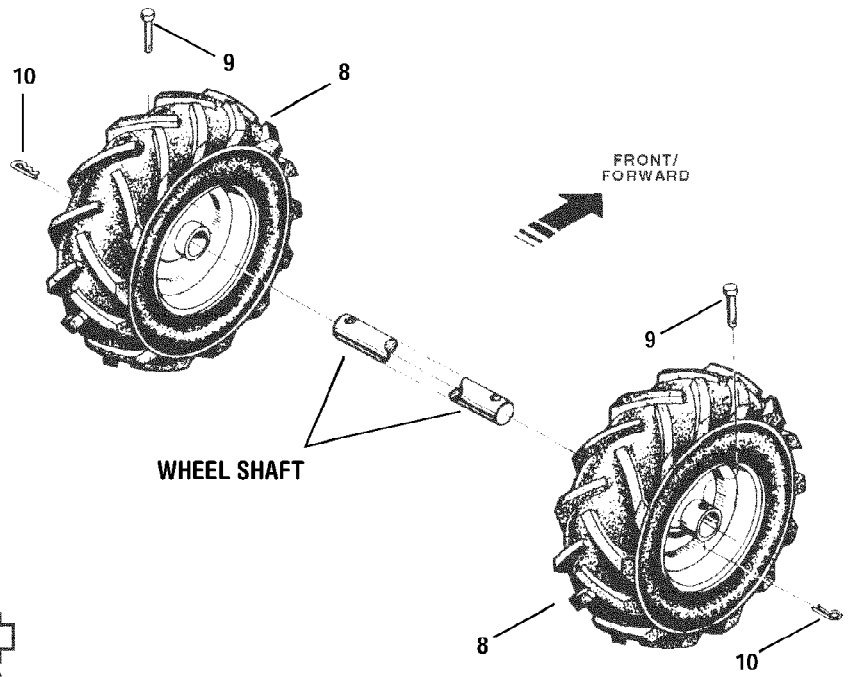
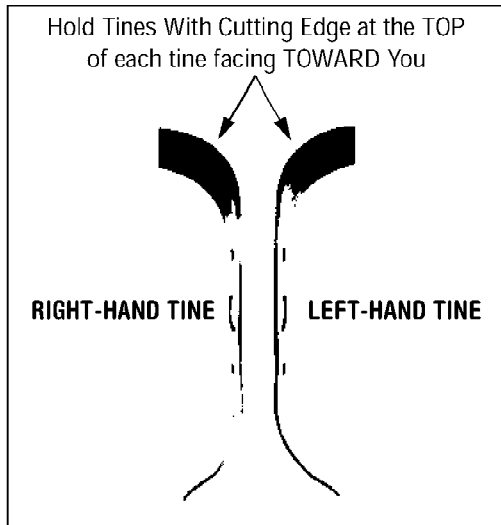
21A-644H766 6.75HP Roto-Tiller (2004)
Handle



21A-644H766 6.75HP Roto-Tiller (2004)
Handle

Page 10 of 16

| Ref # | Part Number | Qty | S/P/F | Description |
|-------|-------------|-----|-------|-----------------------------------|
| 1 | 1916719 | 1 | S | Cable Assembly, Reverse Clutch |
| 2 | 1916755 | 1 | S | Upper Handlebar |
| 3 | 747-04210 | 1 | S | Bail, Forward Clutch |
| 4 | 1918745 | 1 | S | Cable Assembly, Forward Clutch |
| 5 | 710-0599 | 1 | /P | Screw, Self-Tapping, 1/4-20 x 1/2 |
| 6 | 710-3008 | 1 | /P | Screw, Hex, 5/16-18 x 3/4 |
| 7 | 712-3009 | 1 | S | Hex Lock Nut, 5/16-18 |
| 8 | 786-04188 | 1 | S | Handlebar Support |
| 9 | GW-55043 | 1 | S | Lower Handlebar |
| 10 | 786-04200 | 1 | S | Panel |
| 11 | GW-55044 | 1 | /P | Tab, Conduit Mount |
| 12 | GW-9855 | 1 | S | Screw, #10-24 x 2 |
| 13 | 725-0157 | 1 | /P | Cable Tie |
| 14 | 736-3050 | 1 | /P | Flat Washer, 3/8 |
| 15 | 786-04040 | 1 | | Bracket, Reverse Clutch Cable |
| 16 | 732-04185 | 1 | | Spring, Forward Clutch |
| 17 | 710-0106 | 1 | /P | Hex Hd. Screw, 1/4-20 x 1-1/4 |
| 18 | 710-0216 | 1 | /P | Screw, Hex, 3/8-16 x 3/4 |
| 20 | 710-0805 | 1 | /P | Screw, Hex, 5/16-18 x 1-1/2 |
| 21 | 712-0121 | 1 | S | Hex Nut, #10-24 |
| 22 | 712-0291 | 1 | S | Hex Lock Nut, 1/4-20 |
| 23 | 712-3000 | 1 | S | Hex Nut, 3/8-16 |
| 25 | 736-0119 | 1 | S | Lock Washer, 5/16 |

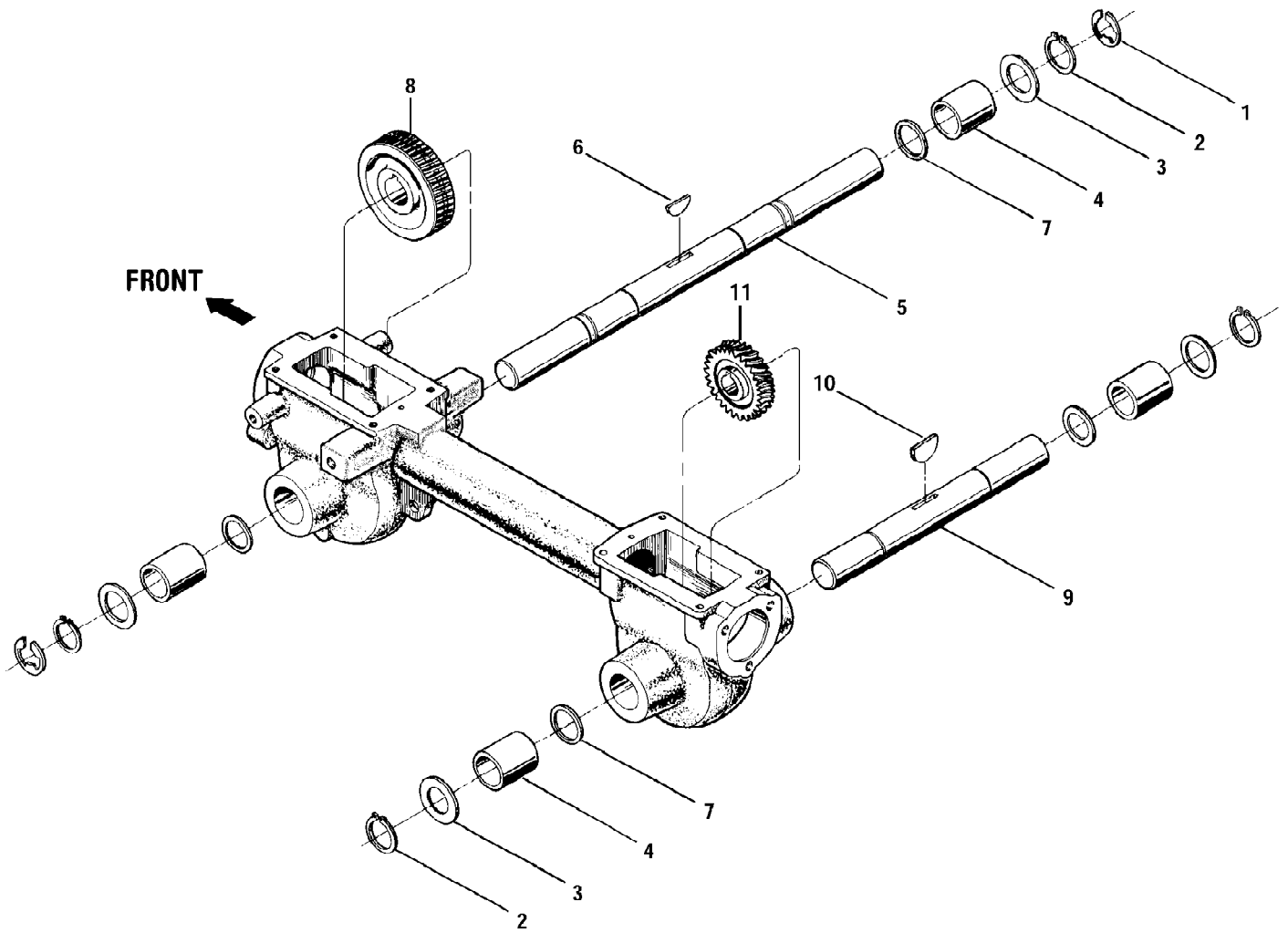


21A-644H766 6.75HP Roto-Tiller (2004)
Tines & Wheels

Page 12 of 16

| Ref # | Part Number | Qty | S/P/F | Description |
|-------|-------------|-----|-------|---|
| 1 | 710-3008 | 1 | /P | Hex Hd. Screw, 5/16-18 x 3/4, Grade 5 |
| 2 | 1817060 | 1 | S | Single Tine - Right Hand |
| 3 | 712-3009 | 1 | S | Hex Lock Nut, 5/16-18 |
| 4 | 710-3096 | 1 | /P | Hex Hd. Screw, 3/8-16 x 2 |
| 5 | 1817059 | 1 | S | Single Tine - Left Hand |
| 6 | 1916702 | 1 | | LH Tine Holder |
| 7 | 1916703 | 1 | | RH Tine Holder |
| 8 | 1917487 | 1 | S | Wheel & Tire Ass'y - Left/Right Side |
| 9 | GW-9380 | 1 | S | Clevis Pin,.312" x 1-3/4" |
| 10 | GW-9338 | 1 | S | Hair Pin Cotter |
| 11 | 712-3000 | 1 | S | Hex Lock Nut, 3/8-16 |
| | 642-04005 | 1 | | RH Tine Assembly (Incl. two RH tines and one LH tine assembled to RH tine holder) |
| | 642-04006 | 1 | | LH Tine Assembly (Incl. two LH tines and one RH tine assembled to LH tine holder) |

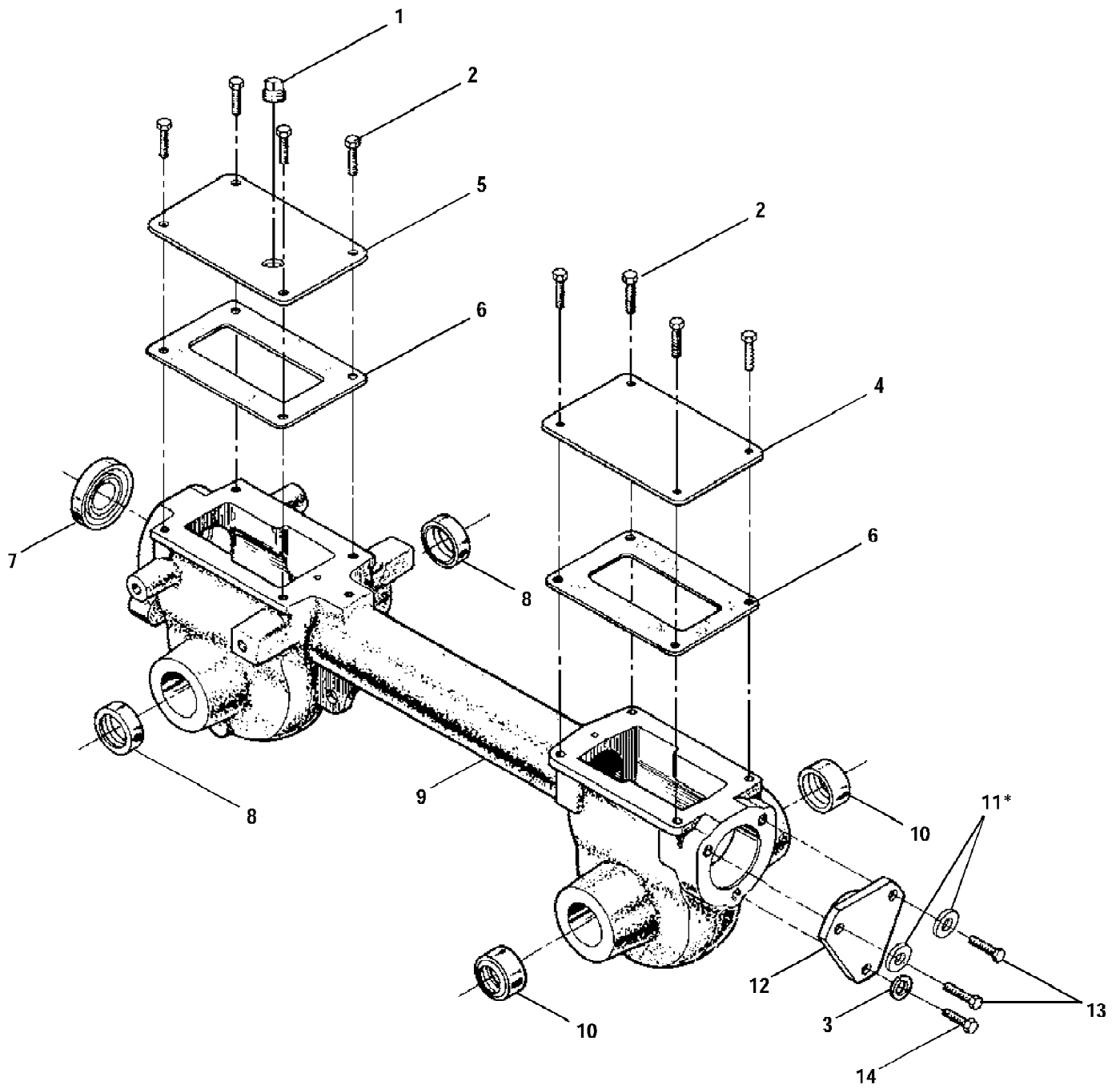
21A-644H766 6.75HP Roto-Tiller (2004)
Transmission



21A-644H766 6.75HP Roto-Tiller (2004)
Transmission

Page 14 of 16

| Ref # | Part Number | Qty | S/P/F | Description |
|-------|-------------|-----|-------|--|
| 1 | GW-9512 | 1 | /P | Retainer, Snap Ring, "E" Type |
| 2 | 1909950 | 1 | S | Retainer, Snap Ring |
| 3 | GW-1166-1 | 1 | S | Shim, 0.062" thick Use as required to obtain between .005" and .030" allowable end-play. |
| | GW-1166-2 | 1 | /P | Shim, 0.030" thick Use as required to obtain between .005" and .030" allowable end-play. |
| | GW-1166-3 | 1 | /P | Shim, 0.015" thick Use as required to obtain between .005" and .030" allowable end-play. |
| | GW-1166-4 | 1 | S | Shim, 0.010" thick Use as required to obtain between .005" and .030" allowable end-play. |
| | GW-1166-5 | 1 | S | Shim, 0.005" thick Use as required to obtain between .005" and .030" allowable end-play. |
| 4 | GW-1086 | 1 | S | Bronze Bushing |
| 5 | 711-04092 | 1 | S | Wheel Shaft (CRT) |
| 6 | GW-9305 | 1 | S | Key, Hi-Pro, 1/4 x 1 |
| 7 | GW-1132-2 | 1 | /P | Spacer |
| 8 | 1904278 | 1 | S | Worm Gear, Wheel Shaft |
| 9 | 711-04078 | 1 | S | Tiller Shaft |
| 10 | GW-1104 | 1 | /P | Woodruff Key |
| 11 | 1916542 | 1 | S | Worm Gear, Tiller Shaft |



21A-644H766 6.75HP Roto-Tiller (2004)
Transmission Housing

Page 16 of 16

| Ref # | Part Number | Qty | S/P/F | Description |
|-------|-------------|-----|-------|--|
| 1 | GW-9727 | 1 | S | Plug, Transmission Oil Fill |
| 2 | 710-04049 | 1 | /P | Hex Hd. Flange Screw, 5/16-18 x 5/8,Gr. 5 |
| 3 | 736-0119 | 1 | S | Lock Washer, 5/16 |
| 4 | 1918377 | 1 | S | Rear Cover, Transmission |
| 5 | 1916641 | 1 | S | Front Cover, Transmission |
| 6 | GW-50032 | 1 | S | Gasket, Housing Cover |
| 7 | 721-04030 | 1 | S | Oil Seal, Drive Shaft |
| 8 | 721-04031 | 1 | S | Oil Seal, Wheel Shaft |
| 9 | 619-04013 | 1 | S | Transmission Housing Assembly |
| 10 | 721-04036 | 1 | S | Oil Seal, Tine Shaft |
| 11 | 736-3008 | 1 | S | Washer, Flat, .344 x.750 x.120 Included with transmission when purchased as an assembly only. Remove and discard when installing the transmission on tiller. |
| 12 | 718-04008 | 1 | S | Rear Bearing Cap |
| 13 | 710-04048 | 1 | /P | Hex Hd. Flange Screw, 5/16-18 x 1 |
| 14 | 710-3008 | 1 | /P | Hex Hd. Flange Screw, 5/16-18 x 3/4 |