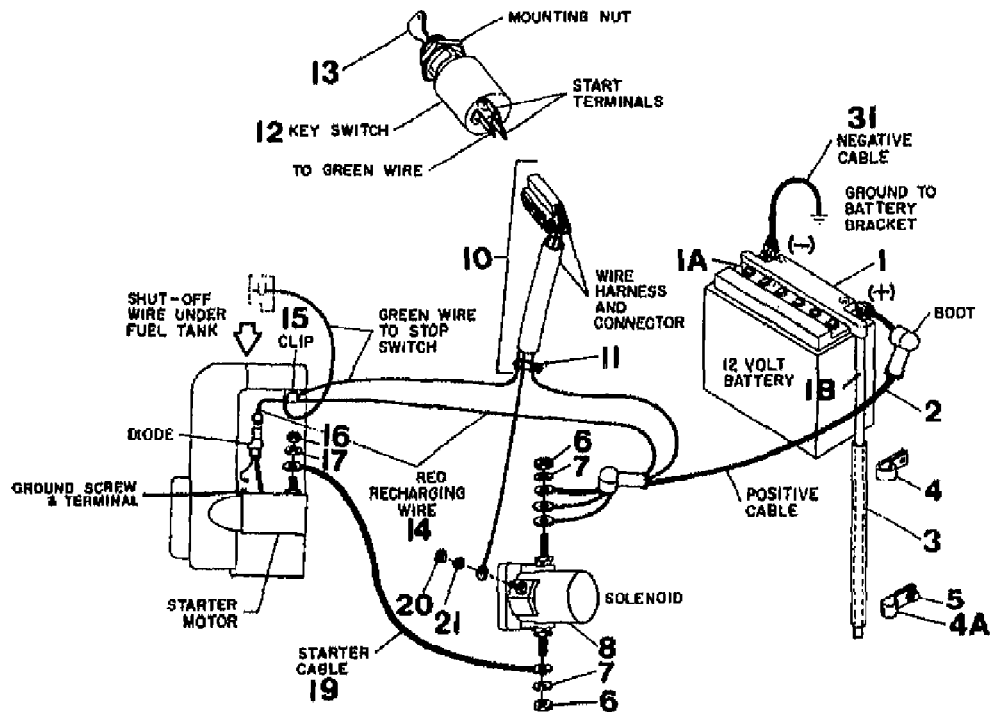
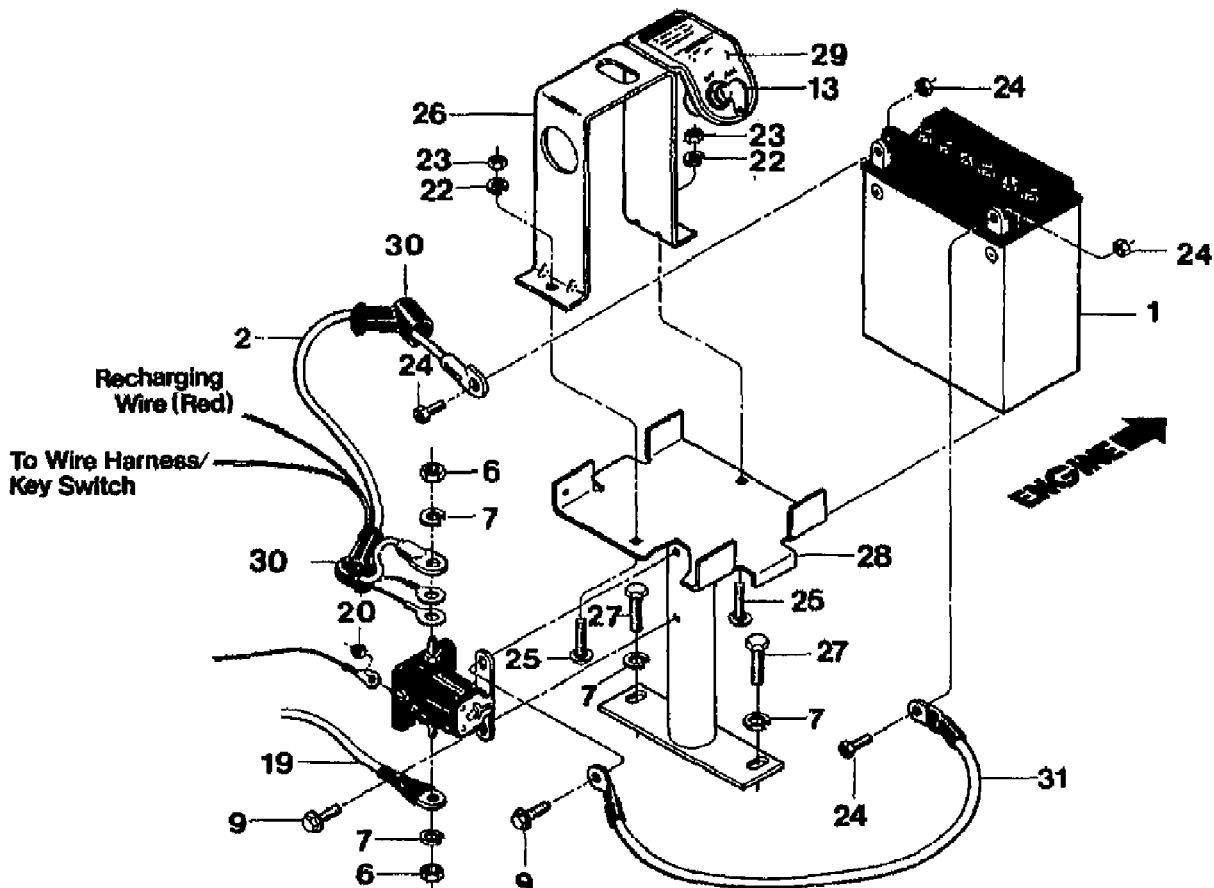


ELECTRIC START ASSEMBLY



BATTERY MOUNTING BRACKET

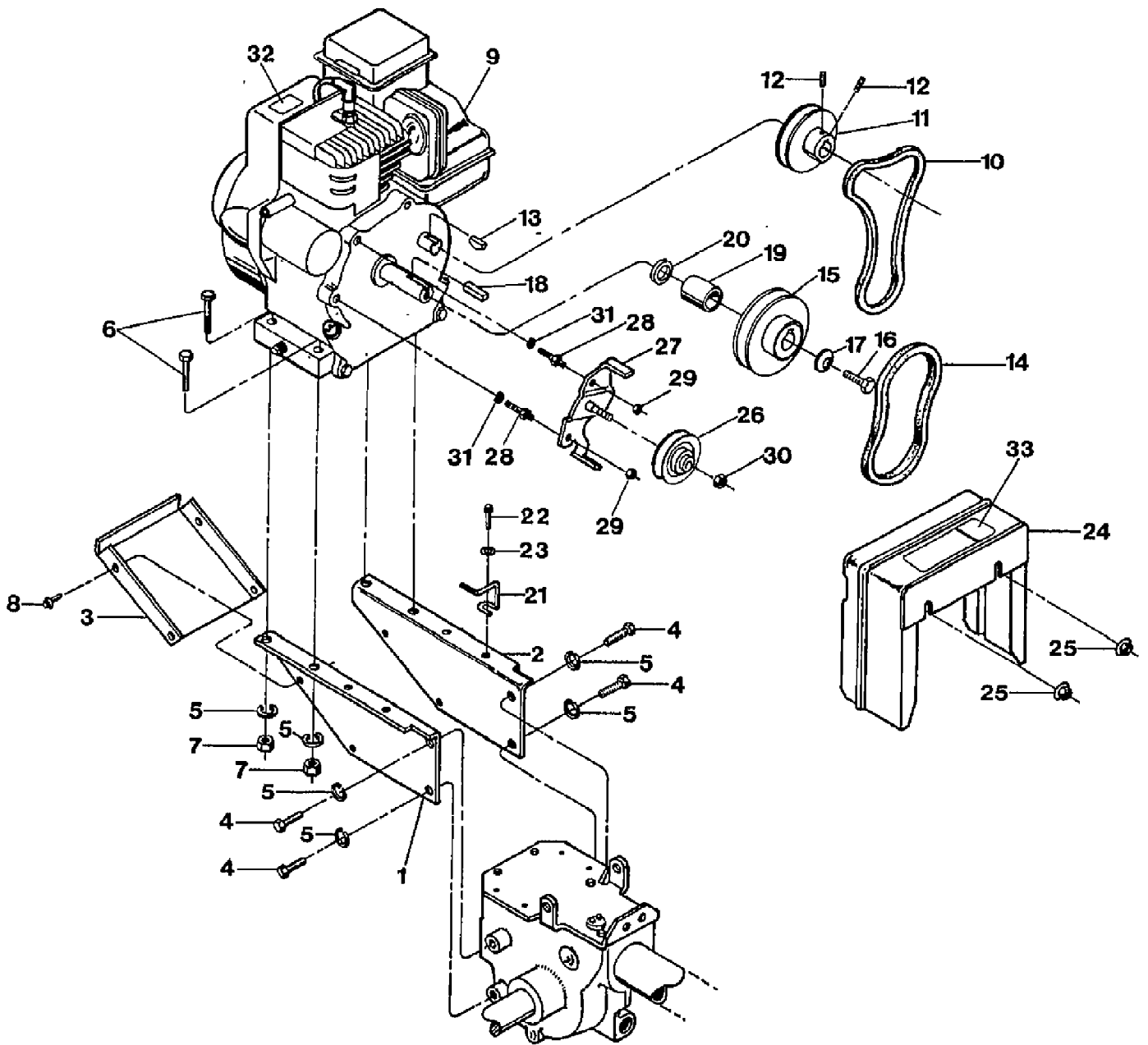


5411 PONY VI OPC (5HP)(S/N S0204133-S0242649)
ELECTRIC START ASSY.

Page 2 of 19

Ref #	Part Number	Qty	S/P/F	Description
1	9234	0	F	BATTERY - 12 VOLT, 12 AMPERE
1A	9462	0	F	CAP-YELLOW
1A	9248	0	F	CAP-BATTERY WHITE (PONY)
1B	9009	0	S	TUBE-VENT BATTERY/HSE
2	9296	0		CABLE-BATTERY
3	1475	0		TUBING-RUBBER (PLASTIC)
4	9224	0		CLAMP -VENT TUBE (SMALL)
4A	9391	0		CLAMP-VENT TUBE 9/16 OPC (LARGE)
5	9780	0		SCR-HH 1/4-20X.625
6	9826	0		NUT-HEX 5/16-24
7	9912	0		WASHER-LK .312 ZP
8	1959	0		KIT-SOL W/HDW (INCL. NUTS & WAHSERS FOR CABLES & WIRES)
9	9552	0	S	SCR-HWH 1/4-20 X .5 STH
10	20857	0	F	ASSM-HARNESS 2647/20857 - AVAIL. AS COMPLETE UNIT ONLY
11	9265	0	S	TIE-TWIST LOCK (PLASTIC)
12	9230	0		KEYSWITCH W/KEYS (PAIR OF KEYS INCL.)
13	9243	0		KEYS(1 PAIR) FOR SWITCH
14	1554	0		WIRE-RECHARGE 5&7 BRIGGS
15	9218	0	S	CLIP-SPECIAL
16	0	0	F	NUT - HEX #10-24
17	0	0	F	LOCKWASHER - #10
19	9223	0		CABLE-BATTERY
20	9809	0		NUT-HH M10-32X.125
21	9921	0	S	WASHER-EXTERNAL TOOTH 1
22	9910	0		WASHER-LK .25 ZP
23	9800	0		NUT-HEX 1/4-20 ZP
24	11361	0	F	HDW PKG-BATTERY TERMINAL
25	9566	0		SCR-CARR 1/4-20X1.25
26	20859	0		PLATE-KEYSWITCH W/DECAL (INCL. #20820 DECAL)
27	9704	0		SCR-HH 5/16-18X1.0 G5 ZP
28	20837	0	S	BRKT-BATTERY OPC PNT
29	20820	0		DECAL-KEYSWITCH
30	9255	0		BOOT
31	9392	0		CABLE-BATTERY 13.5"

5411 PONY VI OPC (5HP)(S/N S0204133-S0242649)
ENGINE PULLEY & BELTS

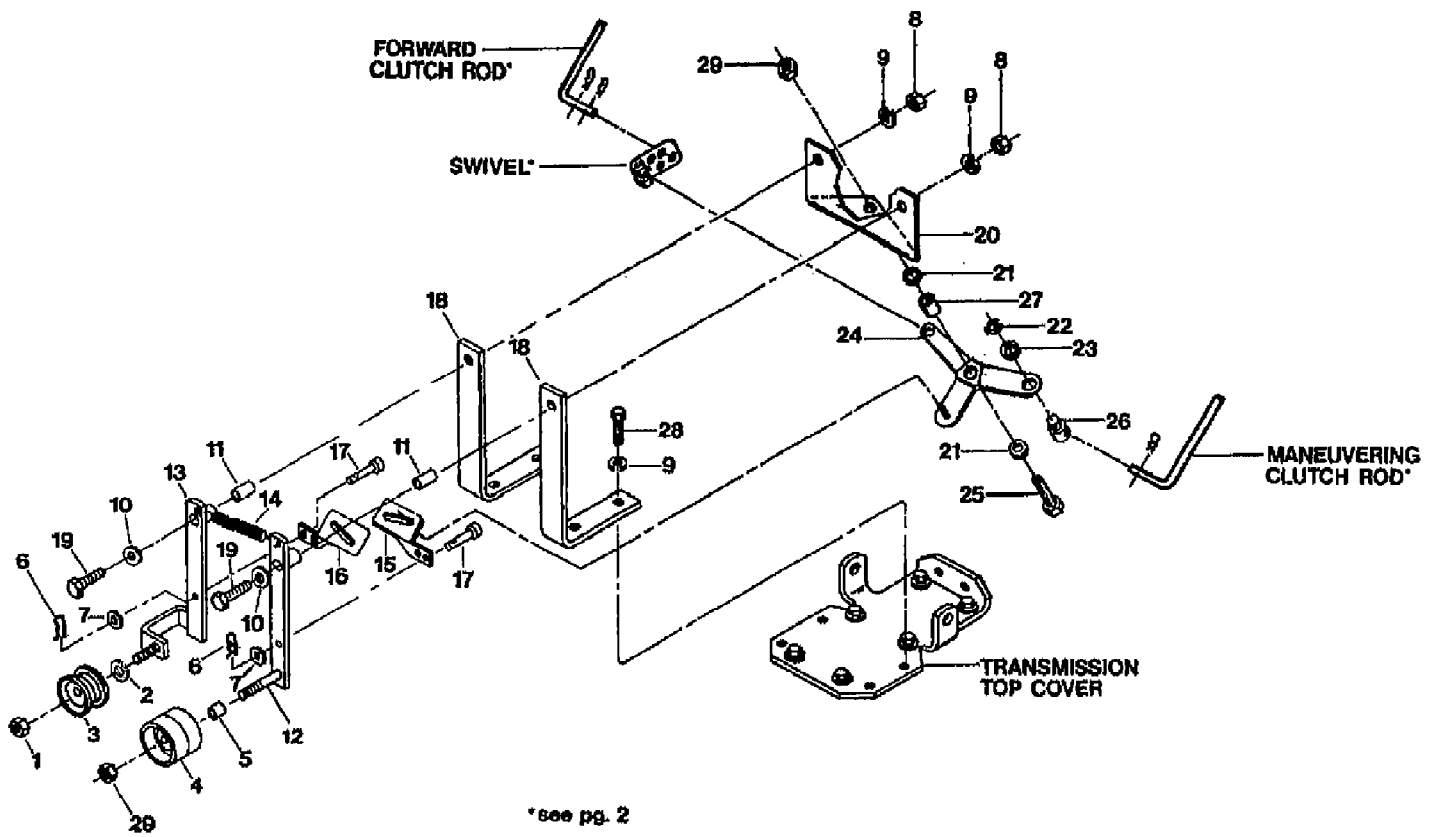


5411 PONY VI OPC (5HP)(S/N S0204133-S0242649)
ENGINE PULLEY & BELTS

Page 4 of 19

Ref #	Part Number	Qty	S/P/F	Description
1	20754	0		BRKT-ENG LT P4
2	20755	0	S	BRKT-ENG RT PNT
3	20673	0	S	PAN-ENG BRKT PNT
4	9703	0		SCR-HHC 5/16-18X.75 GR 5 ZP
5	9912	0		WASHER-LK .312 ZP
6	9758	0		SCR-HH 5/16-18X1.5 G5 ZP
7	9801	0		NUT-HEX 5/16-18 ZP
8	9768	0		SCR-HH SEMS 10-32 X .5 ZP
9	0	0		ENGINE B&S 5HP RECOIL, MAGNETRON IGNITION, MODEL 130292 TYPE 3016-01
9	0	0		ENGINE B&S 5HP ELECTRIC, MAGNETRON IGNITION, MODEL 130297 TYPE 3015-01
10	50134	0	S	BELT-V (SEE V-BELT SET BELOW)
11	20503	0		PULLEY-ENG MACH
12	9561	0	S	SCR-SS 1/4-20 X .25 (SECURES REVERSE ENGINE PULLEY)
13	9361	0	S	KEY-WOODRUFF #5
14	20565	0		BELT-V GROOVE FWD SMFRAME
15	20765	0		PULLEY-ENGINE MACH
16	9655	0	S	SCR-HH 5/16-24X.75 G5 ZP (ATTACHES FORWARD PULLEY)
17	9944	0	S	WASHER-.827X.331X.098 (CONCAVE SURFACE FACES FORWARD PULLEY)
18	9301	0	S	KEY-.188 SQX1.0
19	9089	0		SPACER (ON FORWARD PTO SHAFT BETWEEN ENGINE & FORWARD PULLEY)
20	1138-2	0	S	SHIM-1.0X.7656X.031 (ON FORWARD PTO SHAFT BETWEEN ENGINE & SPACER)
21	20555	0		GUIDE-BELT FWD
22	9573	0	S	SCR-HWH 1/4-20 X .75 STH
23	9900	0		WASHER-FLAT 1/4 SAE
24	20852	0		CVR-BELT W/DEC P/JR OPC (INCL #33)
25	9848	0		NUT-HFLK 5/16-18 ZP
	4922	0		KIT-BELT PONY III (INCL. #20565 & #50134)
26	9017	0		IDLER-"V" GROOVE (INTERNAL BUSHING TYPE)
27	20648	0		BRKT-IDLER WELD PNT
28	EB94067	0		STUD-5HP (B&S PART)
29	9811	0		NUT-LK 1/4-20
30	9807	0		NUT-H/LK 3/8-16
31	9910	0		WASHER-LK .25 ZP
32	2573	0		DECAL-STABIL STARTING
33	20818	0	S	DECAL-BELT COVER OPC

5411 PONY VI OPC (5HP)(S/N S0204133-S0242649)
FORWARD/REVERSE IDLER ASSEMBLY

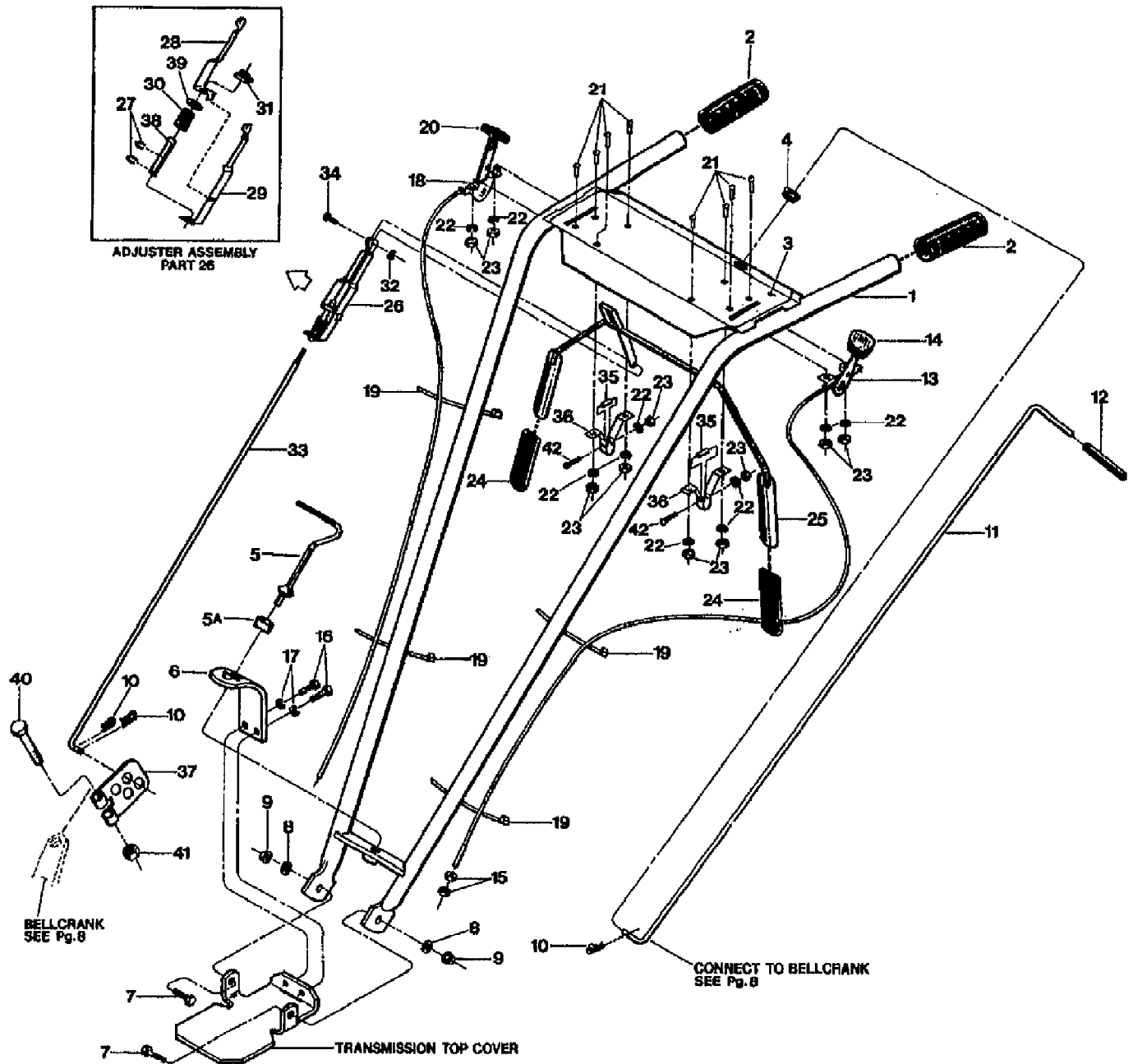


5411 PONY VI OPC (5HP)(S/N S0204133-S0242649)
FORWARD/REVERSE IDLER ASSEMBLY

Page 6 of 19

Ref #	Part Number	Qty	S/P/F	Description
1	9837	0	S	NUT-LOCK 3/8-16 NYLON ZP
2	20513	0		BUSHING-.54X.38X.08
3	9460	0		IDLER-REV
4	9090	0	S	PULLEY-IDLER FORWARD
5	9091	0		SPACER-IDLER FWD
6	9338	0	S	PIN-CLIP .08
7	9900	0		WASHER-FLAT 1/4 SAE
8	9801	0		NUT-HEX 5/16-18 ZP
9	9912	0		WASHER-LK .312 ZP
10	20545	0	S	WASHER-#.75X.32X.09 ZP
11	9479	0	S	BUSHING-.438X.323X.712
12	20657	0		ARM-IDLER FWD PNT
13	20760	0		IDLER-REV
14	1492	0	S	SPRING-.436 X 3.25
15	20517-01	0		LINK-FWD
16	20517-02	0		LINK-REV
17	9340	0		PIN-CLEVIS .375X.719 ZP
18	20751	0		MOUNT BAR-PNT (20691)
19	9741	0	S	BOLT-HH 5/16-18 X 2 G5 ZP
20	20842	0	S	SHIFT BASE-OPC PNT
21	20553	0	S	SPACER-.88X.385X.09 ZP
22	9515	0		RING-KLIP .500 ZINC
23	20546	0	S	WASHER-#.88X.51X.063 ZP
24	20838	0	S	BELLCRANK-OPC PNT
25	9712	0		SCR-HH 3/8-16X1.25
26	20506	0		PIVOT-ROD
27	20532	0	S	BUSHING-.5X.38X.4
28	9704	0		SCR-HH 5/16-18X1.0 G5 ZP
29	9807	0		NUT-H/LK 3/8-16

5411 PONY VI OPC (5HP)(S/N S0204133-S0242649)
HANDLE BARS & CONTROL LEVERS



#1900706 RED SPRAY PAINT

5411 PONY VI OPC (5HP)(S/N S0204133-S0242649)
HANDLE BARS & CONTROL LEVERS

Page 8 of 19

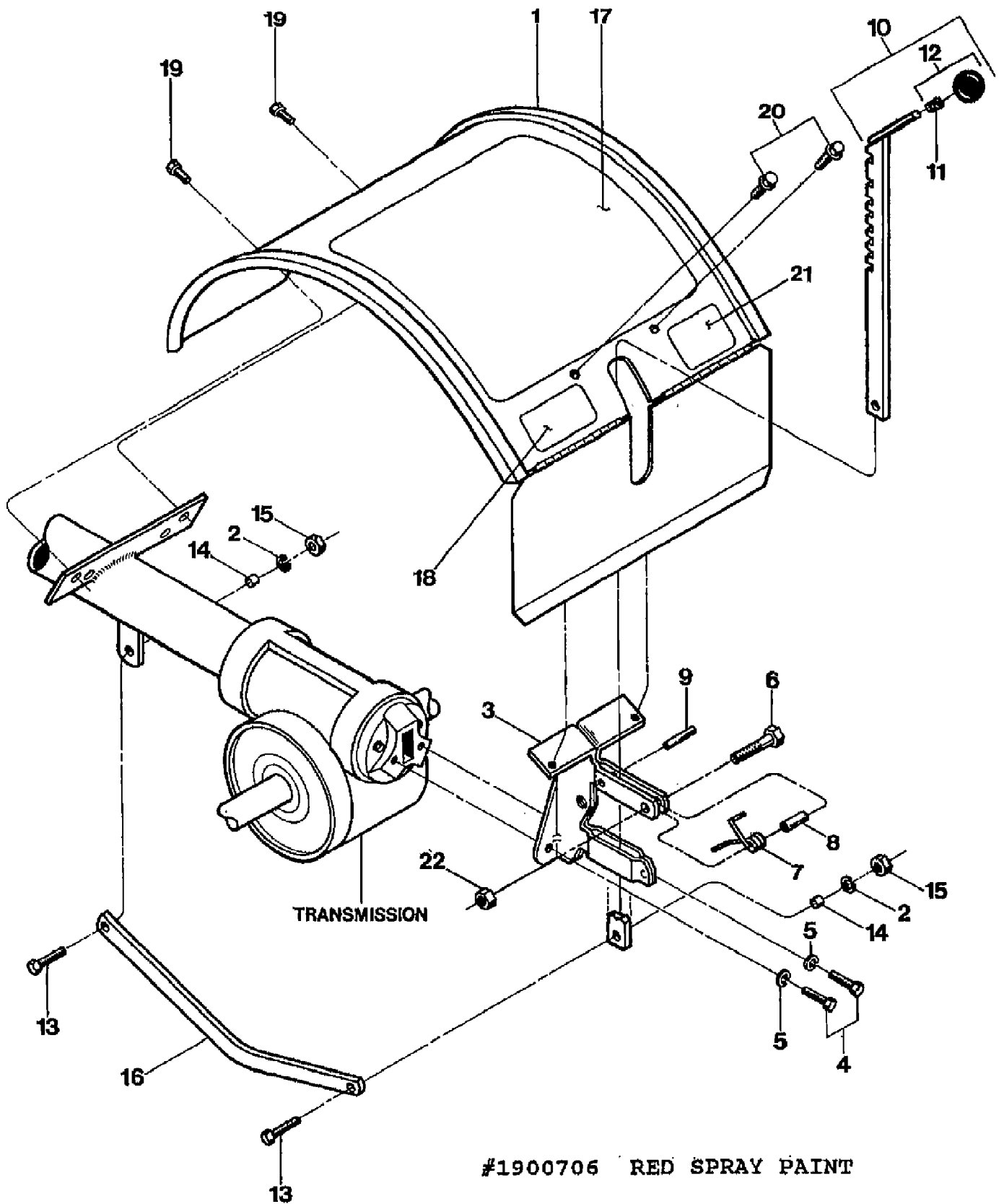
Ref #	Part Number	Qty	S/P/F	Description
1	20860	0		ASSM-HANDLEBAR W/GRIPS (INCL. 2-5A)
2	9126	0	S	GRIP-H/B 1" PONY/P-J OPC
3	20817	0		DECAL-CONTROL PANEL
4	9251	0		BUSHING-NYLON -PART OF OPERATOR CONTROL PANEL
5	20703	0		ASSM-STUD H/B
5A	9955	0	S	WASHER-1.0X.38X.375
6	20753	0		PLATE-HANDLEBAR ADJUST
7	9711	0		SCR-HH 3/8-16X1.0 G5 ZP (TO ATTACH HANDLEBARS TO TABS ON TRANSMISSION TOP COVER)
8	9904	0	S	WASHER-FLAT 3/8 SAE (HANDLEBAR ATTACHMENT)
9	9837	0	S	NUT-LOCK 3/8-16 NYLON ZP(HANDLEBAR ATTACHMENT)
10	9338	0	S	PIN-CLIP .08 (CONNECTS MANEUVERING CLUTCH LEVER & FORWARD CLUTCH LEVER TO SHIFT MECH.)
11	20830	0		ROD-REV W/GRIP OPC (INCL. #9198)
12	9198	0		GRIP-CONTROL ROD
13	9442	0	S	CABLE-WHEEL CLUTCH OPC (INCL. 14,15,19,21-23)
14	9057	0	S	KNOB-WHEEL DRIVE CABLE
15	9826	0		NUT-HEX 5/16-24
16	9709	0	F	SCR-HH 3/8-16X.75 G5 ZP
17	9913	0	F	WASHER-LK .375 @ DEPL
18	9440	0		CABLE-THROTTLE PONY OPC
19	9202	0	S	TIE-RED (TO SECURE CABLES TO HANDLEBARS)
20	9212	0	S	KNOB-THROTTLE CABLE
21	9722	0		SCR-RH M10-32X.5 MACH
22	9909	0		WASHER-LK M10
23	9809	0		NUT-HH M10-32X.125
24	9390	0	S	GRIP-PADDLE SM FRAME OPC
25	20863	0	S	BAIL W/GRIPS OPC
26	2620	0		ASSM-ADJUSTMENT OPC (INCL. 27-30, 38-39)
27	9532	0	S	RING-KLIP .500 ZINC
28	20808	0	S	ADJUSTER-RT SIDE OPC
29	20809	0	S	ADJUSTER-LT SIDE OPC
30	9059	0	S	SPRING-ADJUSTER OPC
31	9522	0		WELDNUT 5/16-18
32	9386	0		RING-KLIP .188 DIA
33	20831	0	S	ROD-CONTROL OPC
34	9388	0		ASSM-PIN & CLIP (SMALL FRAME)
35	9431	0		SPACER-#10 SPLIT
36	20806	0	S	BRACKET-BAIL OPC
37	20805	0		SWIVEL
38	9432	0		BUSHING-.5X.334X2.88

5411 PONY VI OPC (5HP)(S/N S0204133-S0242649)
HANDLE BARS & CONTROL LEVERS

Page 9 of 19

Ref #	Part Number	Qty	S/P/F	Description
39	9973	0		WASHER-.75X.51X.06 ZP
40	9664	0		SCR-HH 1/4-20X1.5 G5ZP
41	9811	0		NUT-LK 1/4-20
42	9582	0		SCR 10-32
	1900706	0	S	PAINT-RED SPRAYCAN POWDER

5411 PONY VI OPC (5HP)(S/N S0204133-S0242649)
HOOD & DEPTH



5411 PONY VI OPC (5HP)(S/N S0204133-S0242649)
HOOD & DEPTH

Page 11 of 19

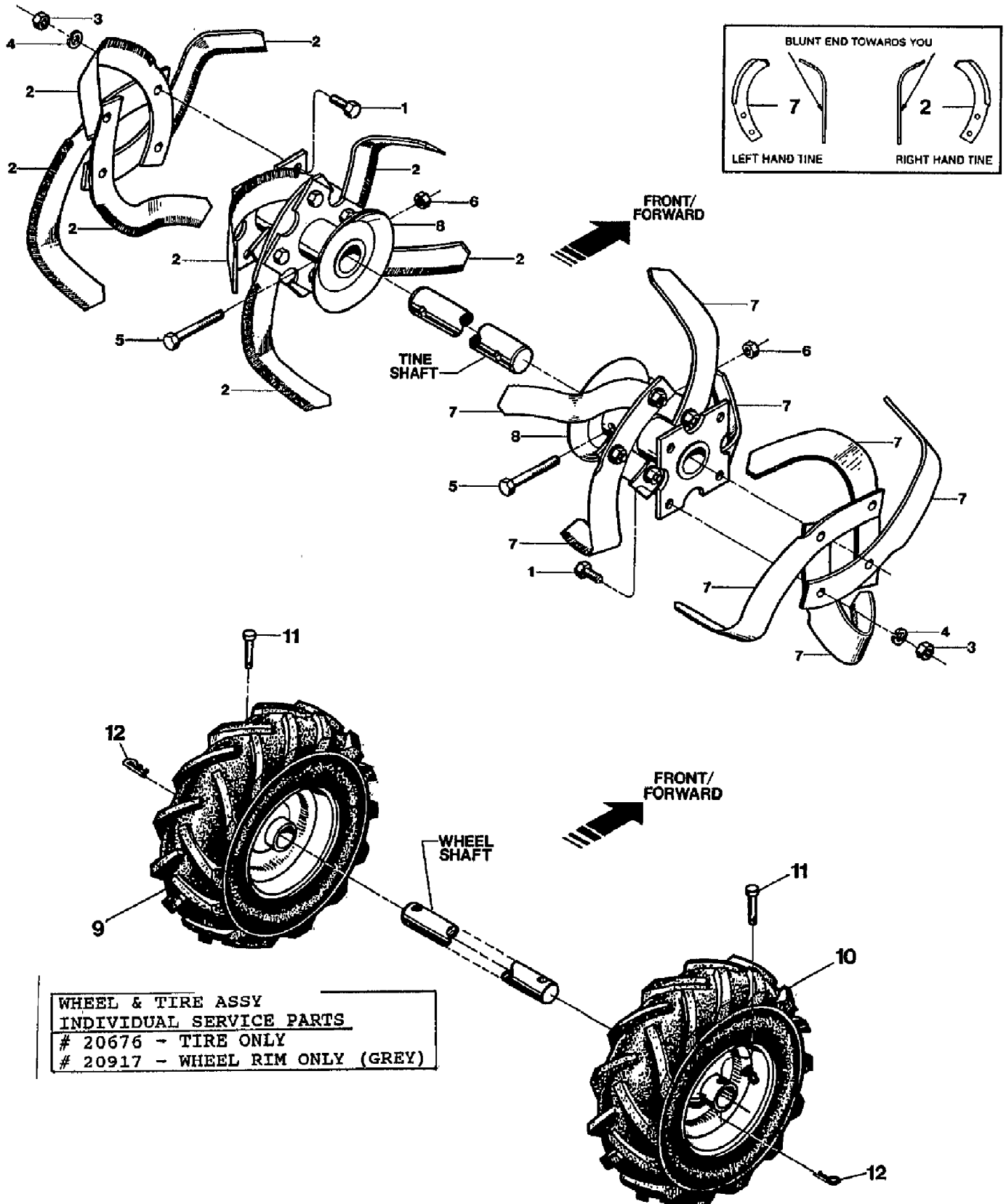
Ref #	Part Number	Qty	S/P/F	Description
1	20861	0	S	HOOD W/DECALS PONY OPC
2	9913	0		WASHER-LK .375 @ DEPL
3	2527	0	S	BRKT W/ROLL PIN (9308)
4	9703	0		SCR-HHC 5/16-18X.75 GR 5 ZP (BRACKET TO REAR BEARING CAP)
5	9912	0		WASHER-LK .312 ZP
6	9734	0		SCR-HH 1/4-20X1.0
7	9384	0	S	SPRING-TORSION
8	9438	0		SPACER-.250X.343X.375
9	9308	0	S	PIN-ROLL .25 X 1
10	1117A	0	S	DEPTH REGULATOR W/KNOB (INCL. 11-12)
11	9120	0	S	RING-TOLERANCE .5325 ID
12	9119	0	S	KNOB-CONTROL
13	9712	0		SCR-HH 3/8-16X1.25
14	1113-1	0	S	BUSHING-.5X.375X.3
15	9802	0		NUT-HEX 3/8-16 ZP
16	20775	0	S	DRAG BAR-BENT
17	20816	0		DECAL-HOOD OPER INST OPC
18	20855	0		DECAL-HOOD LOGO PONY OPC
19	9553	0	S	SCR-HWH 5/16-18 X .5 STH
20	9552	0	S	SCR-HWH 1/4-20 X .5 STH (ATTACHES HOOD TO DEPTH REGULATOR BRACKET)
21	20814	0		DECAL-TINE WARN SM FRAME
22	9811	0		NUT-LK 1/4-20
	1900706	0	S	PAINT-RED SPRAYCAN POWDER

5411 PONY VI OPC (5HP)(S/N S0204133-S0242649)
MAIN DRIVE SHAFT & GEAR ASSEMBLY

Page 13 of 19

Ref #	Part Number	Qty	S/P/F	Description
1	1714	0	S	KIT-BRG CONE&RACE-DRIVESHAFT (FRONT OF DRIVE SHAFT)
2	20718	0	S	GEAR-SPUR 30 TEETH
3	9301	0	S	KEY-.188 SQX1.0
4	10360	0	F	KIT-DRIVESHAFT
5	1224-1	0	S/F	SHIM-1.75X1.5X.01
5	1224-2	0	S/F	SHIM-1.75X1.5X.03
5	1224-3	0	S/F	SHIM-1.75X1.5X.005
	1325C	0	S	SHIM SET-DRIVESHAFT-HORSE (INCL. FOLLOWING SHIMS:TWO #1224-1;TWO #1224-2;ONE #1224-3)
6	9655	0	S	SCR-HH 5/16-24X.75 G5 ZP
7	9944	0	S/F	WASHER-.827X.331X.098
8	9301	0	S	KEY-.188 SQX1.0
9	20766	0	F	PULLEY-TRANS MACH
10	1440	0	S	WASHER # .875 X .65 X .06
11	9600	0		SEAL-PINION SHAFT PT/85030/00
12	9500	0	S	RING-RETAIN EXT .707 ID (SNAP RING)
13	9953	0	S	WASHER-1.022X.752X .059
14	9428	0	S	BUSHING-1.24X.75X1.8 GRVD
15	9677	0	S	SCR-SS 5/16-18X.375
16	20791	0	S	SHAFT-PINION(P-V)
17	20792	0	S	GEAR-PINION P/M
18	9093	0	S	RING-BOWED EXT .461 ID (SNAP RING)
19	20799	0	S	PINION W/GEAR&SNAP RING (INCL. #20791, #20792, & 9093)
	1360A	0		OIL GEAR LUBE 2 QT 140WT
	1901964	0		OIL GEAR LUBE 1 QT 140WT

5411 PONY VI OPC (5HP)(S/N S0204133-S0242649)
TINES & WHEELS

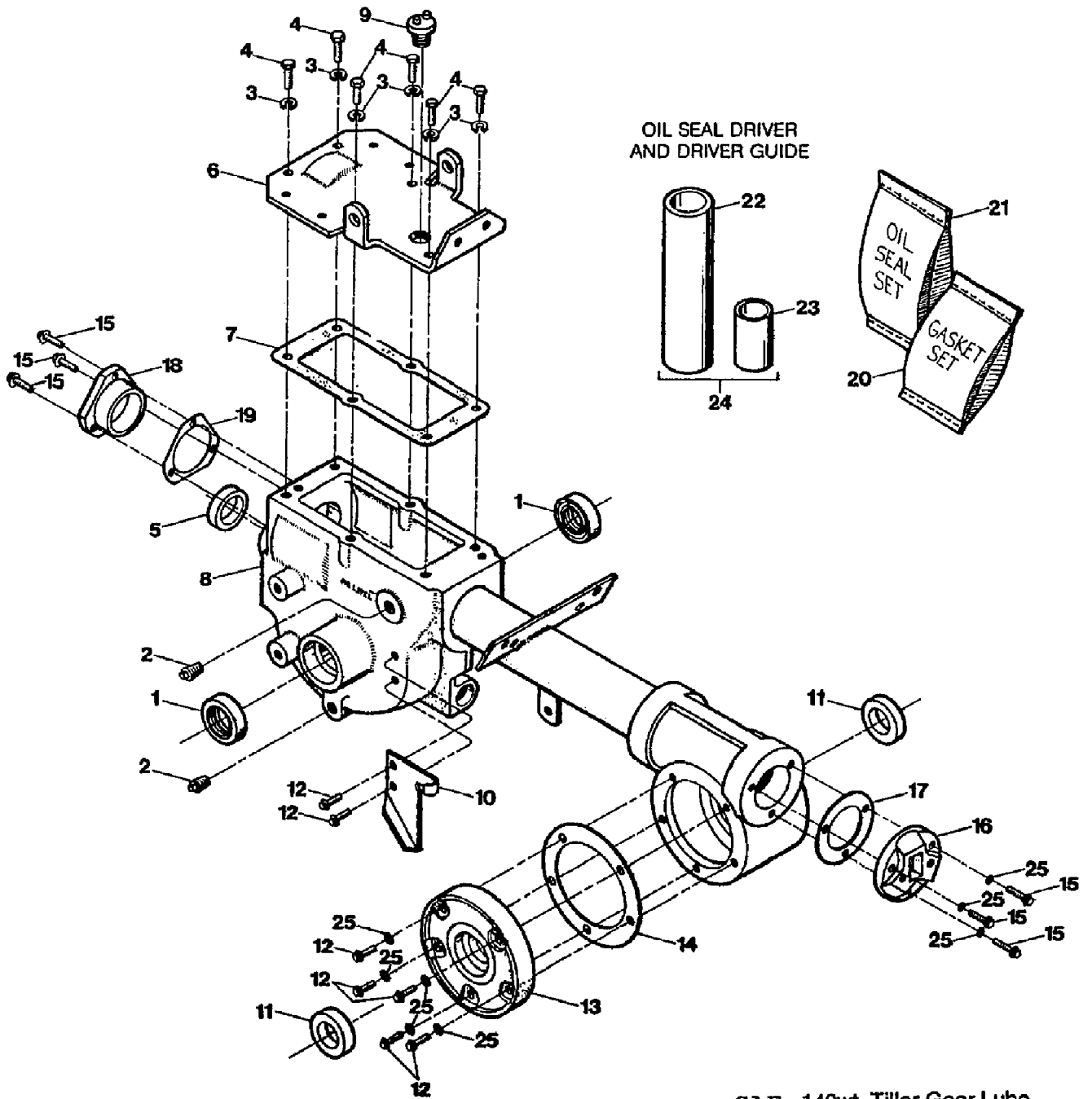


5411 PONY VI OPC (5HP)(S/N S0204133-S0242649)
TINES & WHEELS

Page 15 of 19

Ref #	Part Number	Qty	S/P/F	Description
1	9711	0		SCR-HH 3/8-16X1.0 G5 ZP
2	1270-2A	0	S/F	TINE-BOLO RT W/HDW
3	9802	0		NUT-HEX 3/8-16 ZP
4	9913	0		WASHER-LK .375 @ DEPL
5	9761	0		SCR-HH 3/8-16X2.00 G8
6	9807	0		NUT-H/LK 3/8-16
7	1270-1A	0	S/F	TINE-BOLO LT W/HDW
8	20770	0		WELD-TINE HOLDER PONY
	1348	0	F	TINES-BOLO HORSE/PONY/ECONO
	10802	0	S/F	TINES-CUSTOM TILLING (INCL. 8 #2475-1, 8 #2475-2, 16 #9711, & 16 #9807)
	2475-1	0	S	TINE-HARD FACED LT
	2475-2	0	S	TINE-HARD FACED RT
	9807	0		NUT-H/LK 3/8-16 (USED IN PLACE OF #3 & #4 WHEN USING CUSTOM TILLING TINE KIT)
9	20678-01	0		ASSM-TIRE LT 4.10 X 6" (10-20 LBS. AIR REQ'D)
9	20676	0		ASSM-TIRE RT 4.10 X 6" (10-20 LBS. AIR REQ'D)
9	20917	0		RIM-WHEEL 6" GRAY
10	20678-02	0		ASSM-TIRE RT 4.10 X 6"
11	9380	0	S	PIN-CLEVIS .312"x1-3/4" LONG
12	9338	0	S	PIN-CLIP .08

5411 PONY VI OPC (5HP)(S/N S0204133-S0242649)
TRANS. HSG. & SEALS/GASKETS



#1900706 RED SPRAY PAINT

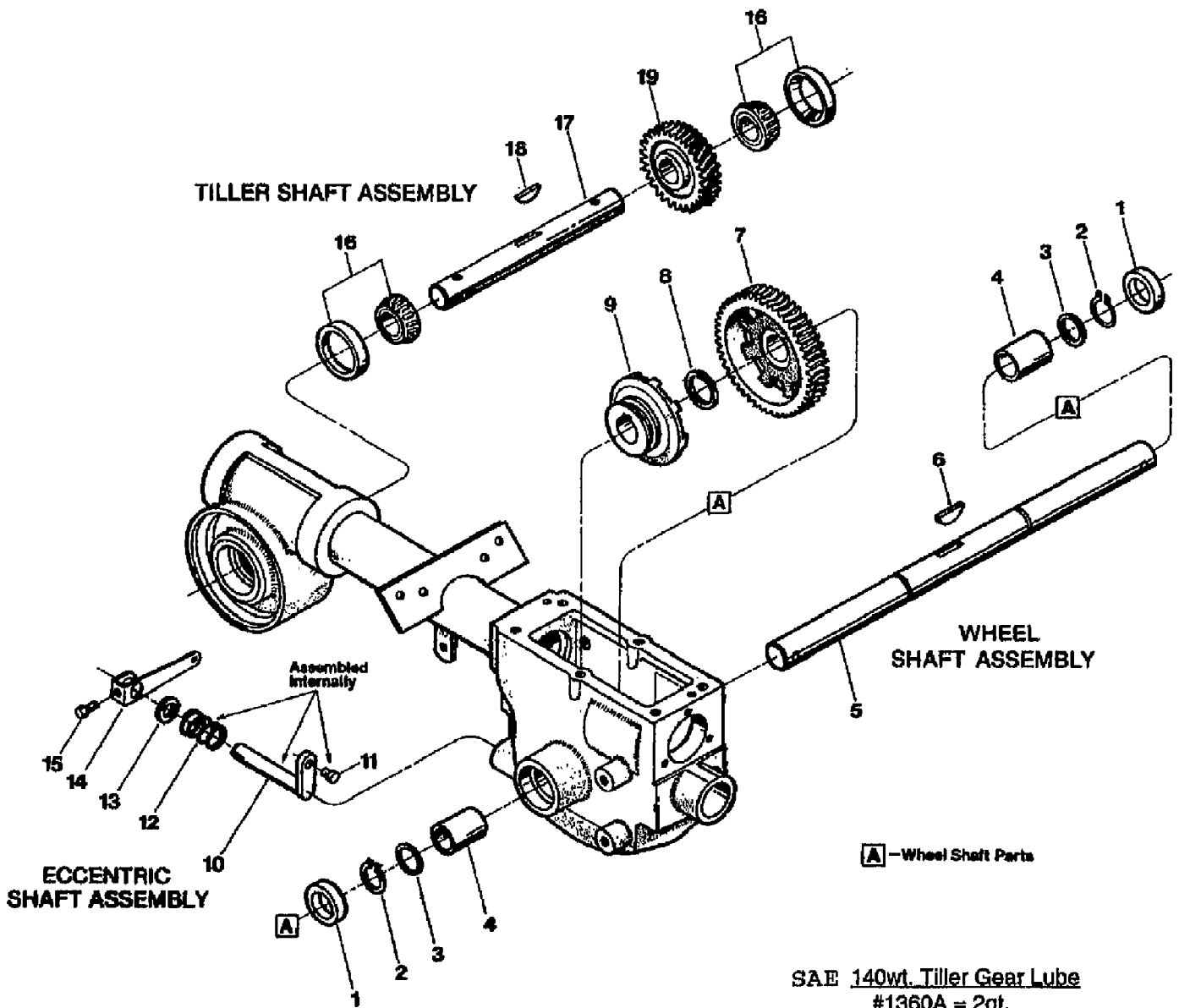
SAE 140wt. Tiller Gear Lube
#1360A = 2qt.
#1901964 = 1qt.

5411 PONY VI OPC (5HP)(S/N S0204133-S0242649)
TRANS. HSG. & SEALS/GASKETS

Page 17 of 19

Ref #	Part Number	Qty	S/P/F	Description
1	9621	0	S	SEAL-OIL WHEELSHAFT
2	9726	0	S	PLUG-PIPE 1/4 NPT
3	9912	0		WASHER-LK .312 ZP
4	9703	0		SCR-HHC 5/16-18X.75 GR 5 ZP
5	9600	0		SEAL-PINION SHAFT PT/85030/00
6	20692	0		COVER-TRANS
7	20694	0	S	GASKET-TRANS COVER
8	20778	0		HSG-TRANS P5 A UNIT (INCL. ONE #9429)
9	9467	0	S	PLUG-OIL FILL 3/4-10
10	20756	0		PLATE-CABLE MOUNT PNT (FOR WHEEL DRIVE CABLE)
11	9623	0		SEAL-TILLER SHAFT
12	9780	0		SCR-HH 1/4-20X.625
13	10812	0	F	COVER-RTH W/SCRS&RACE
14	1129-1	0	S/F	GASKET-TILLER COVER (FITS ALL COVERS)
15	9773	0		SCR-HFLK 1/4-20X.875
16	1115	0		CAP-REAR #1115
17	1124-2	0	S/F	GASKET-BRG COVER
18	20695	0		COVER-FRONT BEARING
19	20693-2	0		GASKET-FRONT COVER-.010
20	10358	0	F	GASKET SET-P4
21	10813	0	F	OIL SEAL SET-PONY V
22	4921-1	0	F	DRIVER-PLASTIC (USE WITH PART #4921-2)
23	4921-2	0	F	SEAL-DRIVER PILOT (USE WITH PART #4921-1)
24	4921	0		KIT-DRIVER (INCL. 22,23)
25	0	0	F	WASHER - NYLON, NOR REUSABLE
	10148	0		OBS-KIT NYLON WASHER (INCL. 8 NYLON WASHERS - #25)
	1900706	0	S	PAINT-RED SPRAYCAN POWDER
	1360A	0		OIL GEAR LUBE 2 QT 140WT
	1901964	0		OIL GEAR LUBE 1 QT 140WT

5411 PONY VI OPC (5HP)(S/N S0204133-S0242649)
WHEEL & TILLER SHAFT ASSY.



5411 PONY VI OPC (5HP)(S/N S0204133-S0242649)
WHEEL & TILLER SHAFT ASSY.

Page 19 of 19

Ref #	Part Number	Qty	S/P/F	Description
1	9621	0	S	SEAL-OIL WHEELSHAFT
2	9511	0	S	RING-HEAVY EXT .906 ID
3	1166-1	0	S/F	SHIM-1.375X1.015X.062
	1166-2	0	S/F	SHIM-1.375X1.015X.03
	1166-3	0	S/F	SHIM-1.375X1.015X.015
	1166-4	0	S/F	SHIM-1.375X1.015X.01
4	1086	0	S	BUSHING-1.25X1.005X1.5
5	20711	0	S	ASSM-WHEEL SHAFT W/KEY (INCL. #9373 KEY)
6	9373	0	S	KEY-HI PRO .25X1.312
7	20535	0		GEAR-WORM 46 TEETH MACH
8	9935	0	S	WASHER-1.468X1.016X.062
9	20712	0	S	CLUTCH-MACH
10	20699	0		WELD-ECCENTRIC
11	1442	0	S	PIN-.375 X .72
12	9055	0	S	SPRING-.850 X .875 LONG
13	9622	0	S	SEAL-OIL ECCENTRIC
14	20757	0		LEVER-CABLE ADJ PNT
15	9743	0		SCR-HH 1/4-20X.5 GR5 YEL
16	10805	0		BEARING CUP & CONE (WITH RACE)
17	20798	0		SHAFT W/KEY (TILLER)
18	1104	0	S	KEY-WOODRUFF .25X1.12
19	20776	0		GEAR-TILLER MACH
	1360A	0		OIL GEAR LUBE 2 QT 140WT
	1901964	0		OIL GEAR LUBE 1 QT 140WT