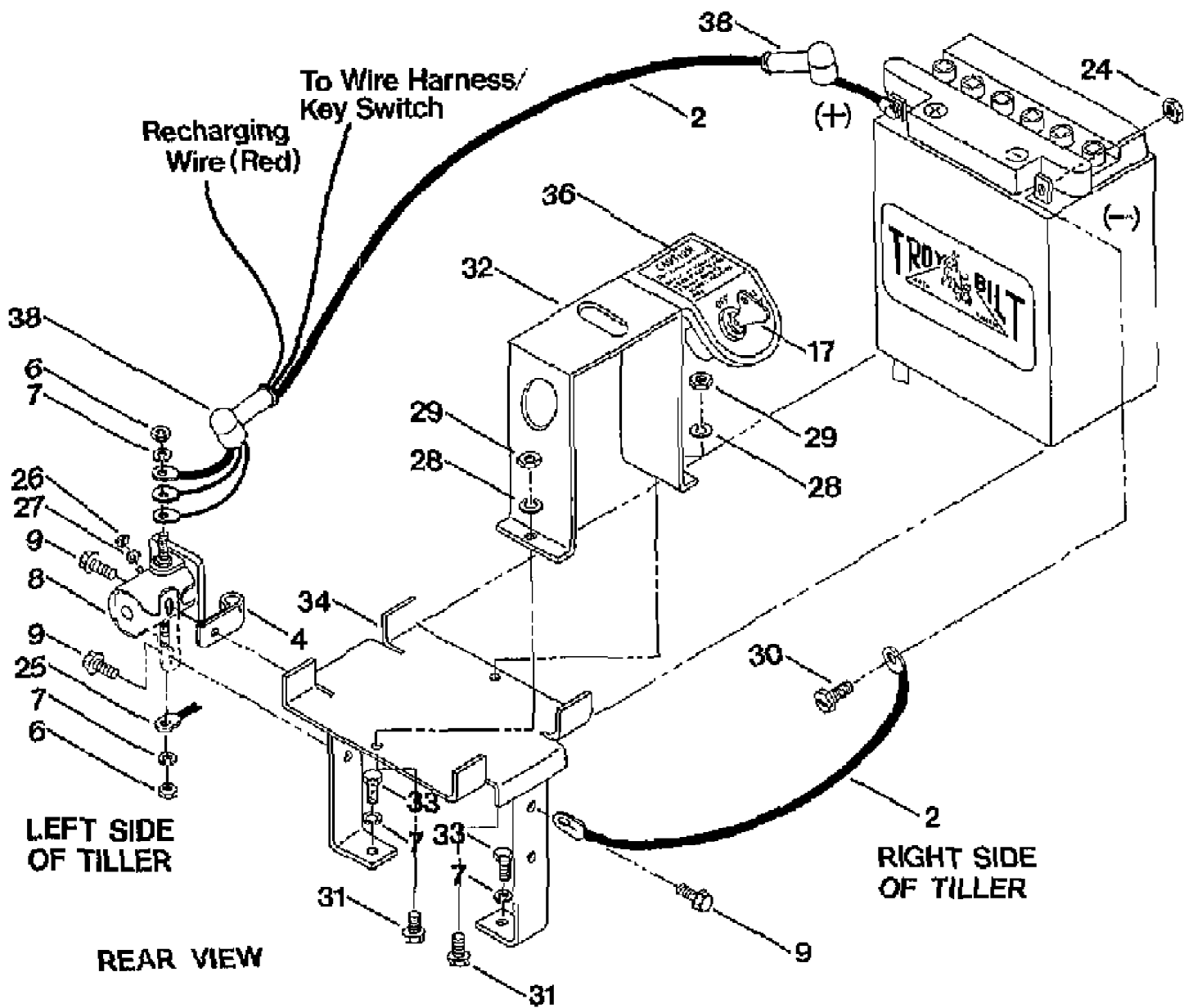


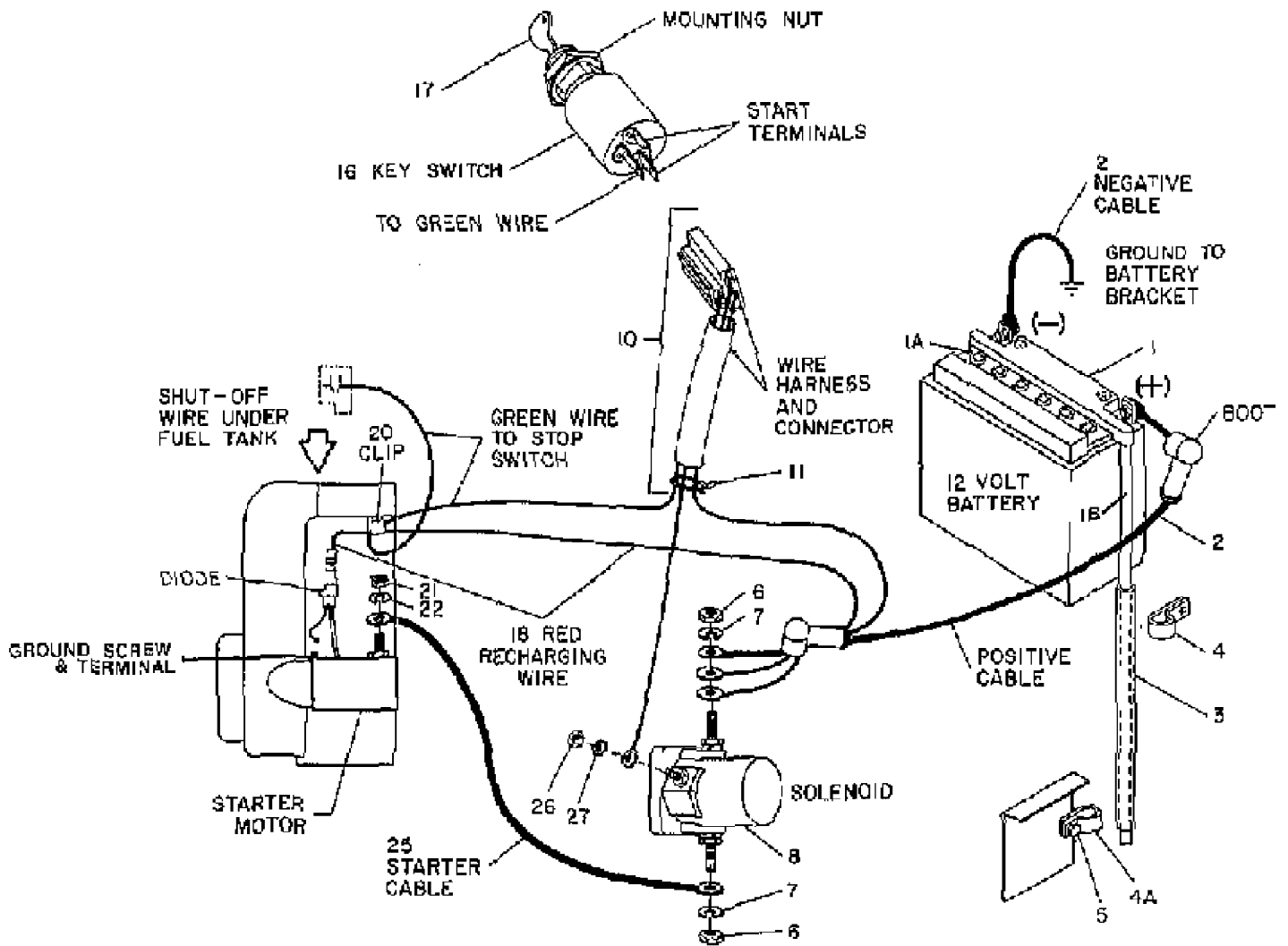
5150 Pony V Elect
Battery Mounting Bracket



5150 Pony V Elect
Battery Mounting Bracket

Page 2 of 6

Ref #	Part Number	Qty	S/P/F	Description
2	9296	2		CABLE - battery (replaces #9223)
4	9224	1		CLIP - vent tube shield (small)
6	9826	2		NUT - hex, 5/16"-24
7	9912	4		LOCKWASHER - 5/16
8	1959	1		SOLENOID - incl. nuts & washers for cables and wires
9	9552	3	S	SCREW - flanged hex head, self-threading 1/4"-20 x 1/2"
17	9243	1		KEY - ignition (pair of keys incl.)
24		2		NUT - cable to battery, metric size 6mm -1mm pitch tap, orig. equipment - not avail. from Garden Way (use #9800 below for equivalent replacement In U.S. size)
25	9222	1		CABLE - solenoid to starter
26	9809	1		NUT - hex, #10-32
27	9921	1	S	LOCKWASHER - external tooth, #10
28	9910	2		LOCKWASHER - 1/4"
29	9800	1		NUT - hex head, 1/4"-20
30		2		BOLT - hex head/philips head combination, metric size 6mm - 1mm pitch x 12mm lg. orig. equipment-not avail. from Garden Way (use #9775 below for equivalent replacement In U.S. size)
	9775	1		BOLT - slotted hex head, 1/4"-20 x 1/2" (replacement hardware for cable to battery connection)
31	9566	2		BOLT - round head, square neck 1/4"-20 x 1 1/4"
32	20837	1	S	BATTERY HOLD-DOWN CLAMP - with attached Key Switch Plate (incl. #20418 decal)
33	9704	2		BOLT - hex head, 5/16"-18 x 1"
34	20723	1		BATTERY BRACKET
36	20418	1		DECAL - key switch Instructions
38	9255	2		RUBBER BOOT - terminal insulating

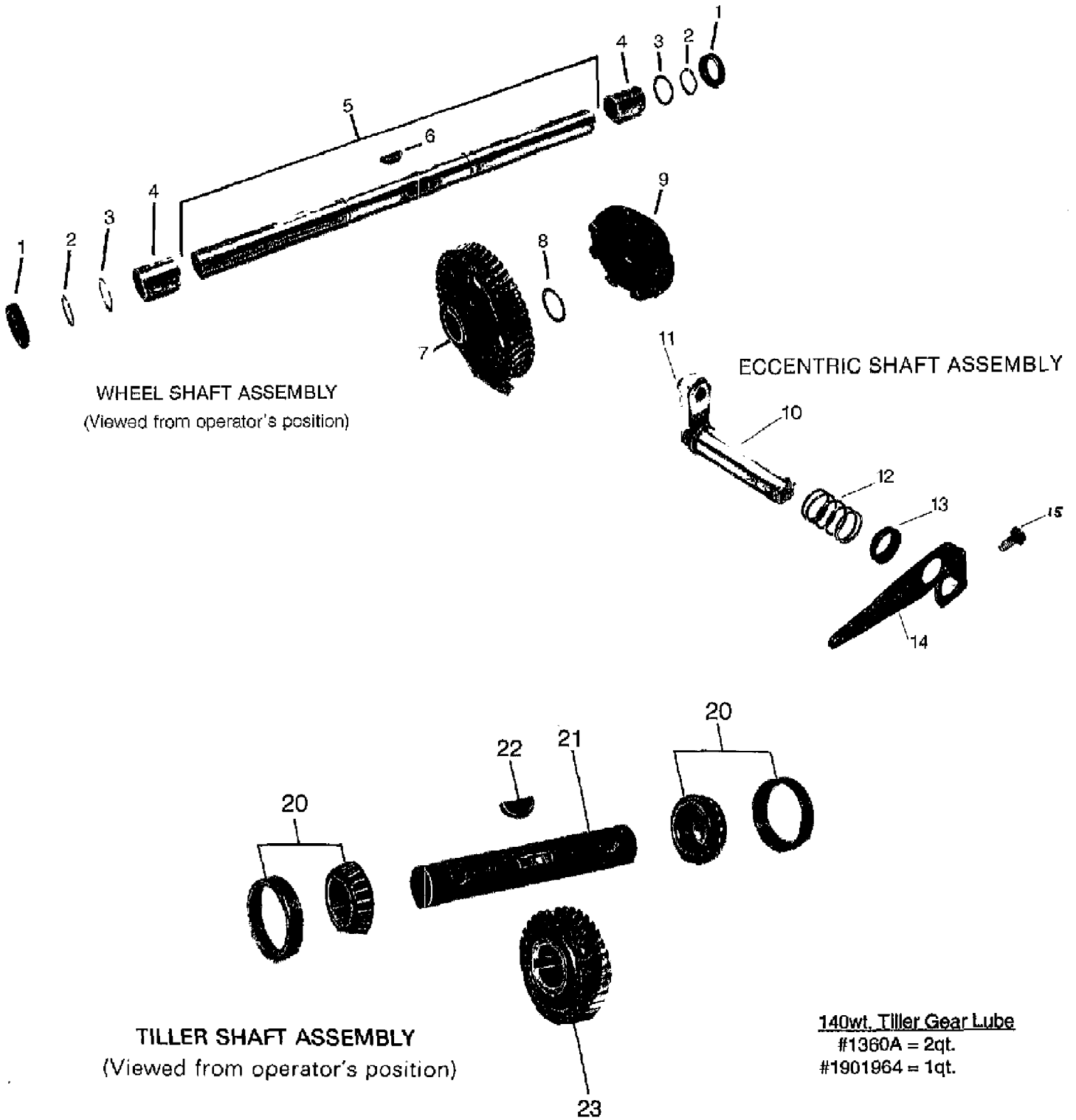


5150 Pony V Elect
Electric Start Assembly

Page 4 of 6

Ref #	Part Number	Qty	S/P/F	Description
1	9234	1		BATTERY - 12 volt, 12 ampere (Incl. hardware to connect battery cable terminals to battery posts)
1A	9462	A/R		CAP - battery, yellow replacement cap
	9248	A/R		CAP - battery, white replacement cap
1B	9247	1		VENT TUBE - battery
2	9296	2		CABLE - battery (replaces #9223)
3	1475	1		VENT TUBE SHIELD - plastic
4	9224	1		CLIP - vent tube shield (small)
4A	1479	1		CLIP - vent tube shield (large)
5	9703	1		BOLT - hex head, 5/16"-18 x 3/4" (see Index No. 1, 2, 3 - on pg. 6)
6	9826	2		NUT - hex, 5/16"-24
7	9912	4		LOCKWASHER - 5/16
8	1959	1		SOLENOID - incl. nuts & washers for cables and wires
10	20424	1		WIRE HARNESS & CONNECTING TERMINAL ASSY. (avail. as complete unit only)-incl.: wire assy. w/connector to large solenoid stud (red wire); wire assy. w/connector to small solenoid stud (red wire); wire assy. w/connector to ground shut-off (green wire); tube; wire harness; connector; wire terminal
11	9265	1	S	TIE - plastic, wire retaining
16	9230	1		KEYSWITCH
17	9243	1		KEY - ignition (pair of keys incl.)
18	1554	1		WIRE ASSEMBLY - recharging
20	9218	2	S	CLIP - holds recharging line
21		1		NUT - hex, #10-24 (not avail. from Garden Way)
22		1		LOCKWASHER - #10 (not avail. from Garden Way)
25	9222	1		CABLE - solenoid to starter
26	9809	1		NUT - hex, #10-32
27	9921	1	S	LOCKWASHER - external tooth, #10

5150 Pony V Elect
Wheel Shaft, Eccentric Shaft & Tiller Shaft Assemblies



Ref #	Part Number	Qty	S/P/F	Description
1	9621	2	S	OIL SEAL-left and right sides
2	9511	2	S	RING-retaining, heavy-duty, external
3	1166-1	A/R	S	SHIM - 1 1/64" I.D., .062" thick
	1166-2	A/R	S	SHIM - as above, only .030" thick
	1166-3	A/R	S	SHIM - as above, only .015" thick
	1166-4	A/R	S	SHIM - as above, only .010" thick
4	1086	2	S	BUSHING -
5	20711	1	S	WHEEL SHAFT - Incl. #9373 key (1/4" x 1 5/16")
6	9373	1	S	KEY - Hi-Pro (1/4" x 1 5/16"), clutch to wheel shaft
7	20535	1		GEAR - wheel drive (worm gear), cast iron
8	9935	1	S	SHIM - between key and gear (1.016" I.D. x 1.468" O.D. x .062" thick)
9	20712	1	S	CLUTCH - wheel drive, cast iron
10	20699	1		ECCENTRIC SHAFT - wheel clutch shifting
11	1442	1	S	PIN - eccentric shaft
12	9055	1	S	SPRING -
13	9622	1	S	OIL SEAL - eccentric shaft
14	20757	t		LEVER - eccentric shaft
15	9743	1		BOLT - hex head, 1/4"-20 x 1/2"
20	10805	2		BEARING - tapered roller (with race), for tiller shaft
21	20798	1		TILLER SHAFT - Incl. #1104 key
22	1104	1	S	KEY - woodruff, 1/4" x 1 1/4", for tiller shaft/worm gear
23	20776	1		WORM GEAR - bronze, tiller drive